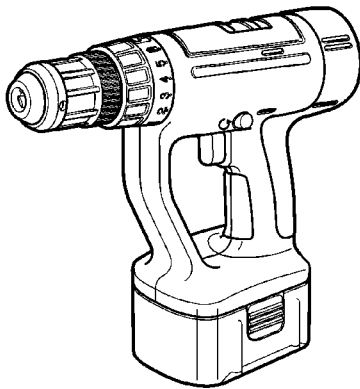


Service Manual

Cordless Hammer Drill & Driver

EY6903-X8

EY6932-X8



Please file and use this manual together with the service manual for Model No. EY6902/EY6931, Order No. PTD0012X40C8.

Model		EY6903	EY6932	
Capability	Screw driving	Machine screw	M3~M5	
		Wood screw	∅2.1~∅5.8mm (5/64"~15/64")	
		Masonry screw	∅4~∅6mm (5/32"~15/64")	
	Drilling	Mortar/Brick	∅3~∅10mm (1/8"~3/8")	∅3~∅13mm (1/8"~1/2")
		Wood	∅3~∅25mm (1/8"~63/64")	∅3~∅36mm (1/8"~1-27/64")
		Metal	∅1.5~∅13mm (1/16"~1/2")	
		Metal hole saw	Max. ∅26mm (1-1/64")	Max. ∅34mm (1-11/32")
Motor		DC Motor 12V	DC Motor 15.6V	
No load speed	LOW	80~550/min (rpm)		
	HIGH	300~2000/min (rpm)		
Blows rate per minute	LOW	120~8250/min (bpm)		
	HIGH	4500~30000/min (bpm)		
Chuck capacity		∅1.5~∅13mm (1/16"~1/2")		
Maximum torque	LOW	17.8Nm (182 kgf-cm or 158 in-lbs)	25.5Nm (260 kgf-cm or 225 in-lbs)	
	HIGH	4.6Nm (47 kgf-cm or 41 in-lbs)	5.9Nm (60 kgf-cm or 52 in-lbs)	
Blow strength		1.7kN, (173kgf, 370 lbs.f)		
Overall length		236 mm (9-5/16")		
Weight (with battery pack)		2.2kg (4.9 lbs)	2.4kg (5.3 lbs)	

Panasonic®

© 2003 Matsushita Electric Industrial Co., Ltd. All rights reserved. Unauthorized copying and distribution is a violation of law.

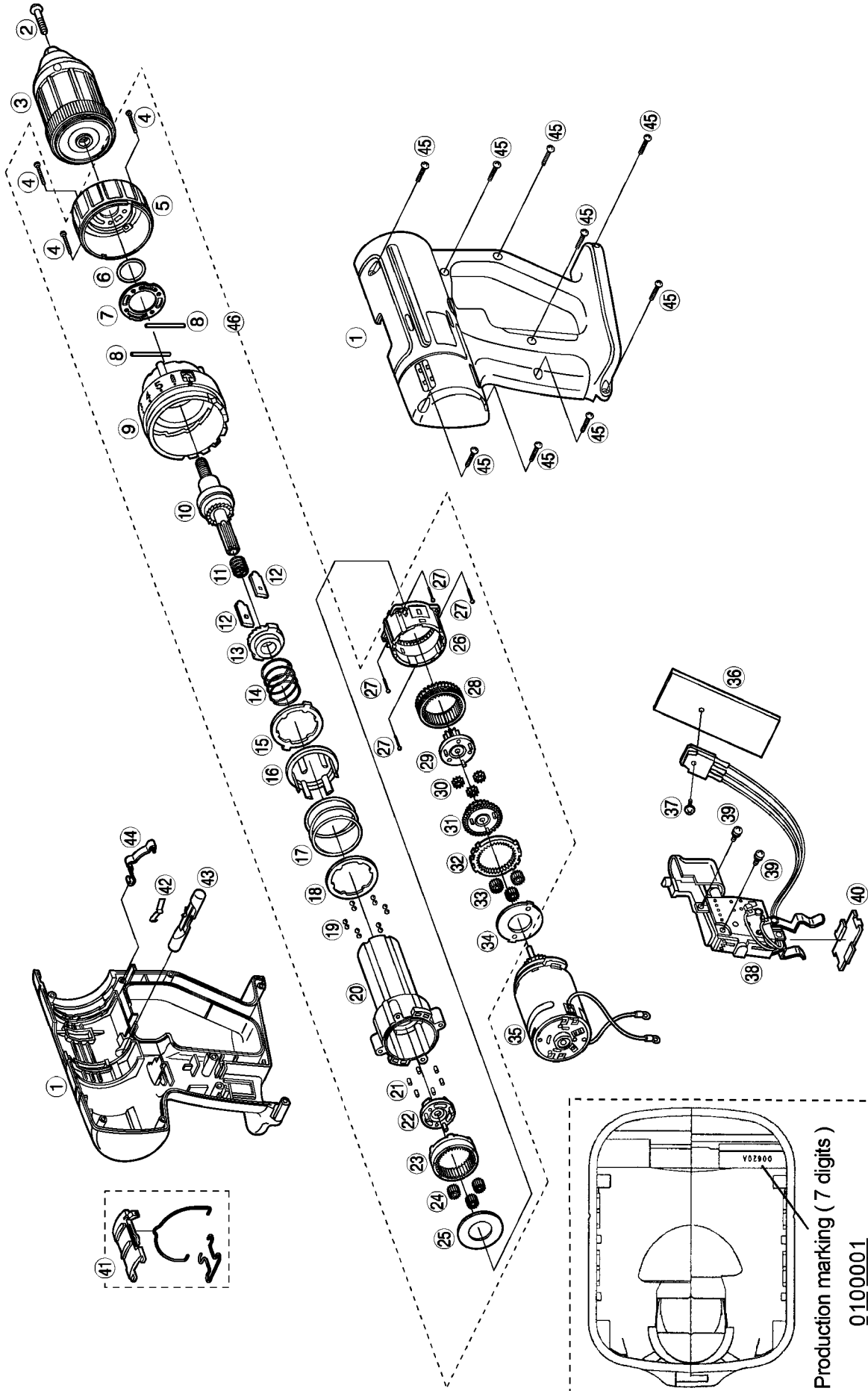
 **WARNING**

This service information is designed for experienced repair technicians only and is not designed for use by the general public. It does not contain warnings or cautions to advise non-technical individuals of potential dangers in attempting to service a product. Products powered by electricity should be serviced or repaired only by experienced professional technicians. Any attempt to service or repair the product or products dealt with in this service information by anyone else could result in serious injury or death.

CONTENTS

	Page		Page
1 EXPLODED VIEW	3	2 REPLACEMENT PARTS LIST	4

1 EXPLODED VIEW



2 REPLACEMENT PARTS LIST

2.1. REPLACEMENT PARTS LIST FOR EY6903

NOTE :

*B = only available as set

*C = available individually

Ref. No.	Part No.	Part Name & Descriptions	Remarks		Per Unit
1	WEY6903K3078	HOUSING AB SET			▲ 1
1	WEY6903K3079	HOUSING AB SET		for EUROPE	▲ 1
				for OCEANIA	
2	WEYT103L6807	CHUCK FASTENING SCREW			▲ 1
3	WEY6930K7917	KEYLESS DRILL CHUCK			1
4	WEY6930K9157	SCREW	*C	K3-16	3
5	WEY6901H3227	CLUTCH HANDLE A			1
6	WEY509B0977	O-RING			1
7	WEY6901L0567	CHANGE RING			1
8	WEY6901L0357	PIN	*B	φ 2-31.8	2
9	WEY6902H3257	CLUTCH HANDLE B			1
10	WEY6902L1137	DRIVING SHAFT			1
11	WEY6900B0177	SPRING			1
12	WEY6901L0907	CHANGE PLATE	*B		2
13	WEY6901L1387	CAM A			1
14	WEY6901L0197	VIBRATION SPRING			1
15	WEY6901L0457	CLICK PLATE			1
16	WEY6901L0637	ADJUSTING RING			1
17	WEY6901L0167	CLUTCH SPRING			1
18	WEY6901L0577	CLUTCH PLATE			1
19	WEY560B6967	STEEL BALL	*B	φ 5	12
20	WEY6901L1797	CLUTCH CASE			1
21	WEY6705L0377	ROLLER PIN	*B	φ 3.175*7.2	6
22	WEY6901L1107	CARRIER			1
23	WEY6901L1477	RING GEAR			1
24	WEY6900B1347	PLANET GEAR	*B		3
25	WEY6200B0857	THRUST PLATE			1
26	WEY6902L1767	GEAR CASE			1
27	WEY6930L9577	SCREW	*C	K3-12	4
28	WEY6902L1467	RING GEAR			1
29	WEY6902L1357	CARRIER			1
30	WEY6200B1357	PLANET GEAR	*B		3
31	WEY6900B1127	CARRIER			1
32	WEY6930B1457	RING GEAR			1
33	WEY560B1367	PLANET GEAR	*B		3
34	WEY6901L0887	THRUST PLATE			1
35	WEY6903L1008	DC MOTOR			▲ 1
36	WEY6902L2567	RADIATING PLATE			1
37	WEY6902L6017	SEMS SCREW		2.6-7	1
38	WEY6902Y2007	SWITCH			▲ 1
39	WEY6230L6037	SEMS SCREW	*C	M3-5	2
40	WEY6481L0207	DUST PREVENTIVE PLATE			▲ 1
41	WEY6406Y3238	H/L HANDLE			▲ 1
42	WEY6481L0177	CLICK SPRING			1
43	WEY6402Y3247	SELECTOR HANDLE			▲ 1
44	WEY6930L0177	CLICK SPRING			1
45	WEY6930K9218	SCREW	*C	K3-20	▲ 9
46	WEY6902L1458	GEAR BOX BLOCK			1
-	WEY9596K7018	TOOL CASE			▲ 1
-	WEY6903K8008	INDIVIDUAL BOX			▲ 1
-	WEY6903K8108	OPERATING INSTRUCTIONS			▲ 1

** Battery Pack is available as an optional accessory. See the nearest sales dealer for details.

*** For replacement parts of charger, see the charger service manual.

Charger complete set is available as an optional accessory. See the nearest sales dealer for details.

2.2. REPLACEMENT PARTS LIST FOR EY6932

NOTE :

*B = only available as set

*C = available individually

Ref. No.	Part No.	Part Name & Descriptions	Remarks	Per Unit
1	WEY6932K3079	HOUSING AB SET	for EUROPE ▲	1
1	WEY6932K3080	HOUSING AB SET	for OCEANIA ▲	1
2	WEYT103L6807	CHUCK FASTENING SCREW	▲	1
3	WEY6930K7917	KEYLESS DRILL CHUCK		1
4	WEY6930K9157	SCREW	*C K3-16	3
5	WEY6901H3227	CLUTCH HANDLE A		1
6	WEY509B0977	O-RING		1
7	WEY6901L0567	CHANGE RING		1
8	WEY6901L0357	PIN	*B ϕ 2-31.8	2
9	WEY6902H3257	CLUTCH HANDLE B		1
10	WEY6902L1137	DRIVING SHAFT		1
11	WEY6900B0177	SPRING		1
12	WEY6901L0907	CHANGE PLATE	*B	2
13	WEY6901L1387	CAM A		1
14	WEY6901L0197	VIBRATION SPRING		1
15	WEY6901L0457	CLICK PLATE		1
16	WEY6901L0637	ADJUSTING RING		1
17	WEY6901L0167	CLUTCH SPRING		1
18	WEY6901L0577	CLUTCH PLATE		1
19	WEY560B6967	STEEL BALL	*B ϕ 5	12
20	WEY6901L1797	CLUTCH CASE		1
21	WEY6705L0377	ROLLER PIN	*B ϕ 3.175*7.2	6
22	WEY6901L1107	CARRIER		1
23	WEY6901L1477	RING GEAR		1
24	WEY6900B1347	PLANET GEAR	*B	3
25	WEY6200B0857	THRUST PLATE		1
26	WEY6902L1767	GEAR CASE		1
27	WEY6930L9577	SCREW	*C K3-12	4
28	WEY6902L1467	RING GEAR		1
29	WEY6902L1357	CARRIER		1
30	WEY6200B1357	PLANET GEAR	*B	3
31	WEY6900B1127	CARRIER		1
32	WEY6930B1457	RING GEAR		1
33	WEY560B1367	PLANET GEAR	*B	3
34	WEY6901L0887	THRUST PLATE		1
35	WEY6932L1008	DC MOTOR	▲	1
36	WEY6902L2567	RADIATING PLATE		1
37	WEY6902L6017	SEMS SCREW	2.6-7	1
38	WEY6931Y2007	SWITCH	▲	1
39	WEY6230L6037	SEMS SCREW	*C M3-5	2
40	WEY6481L0207	DUST PREVENTIVE PLATE	▲	1
41	WEY6406Y3238	H/L HANDLE	▲	1
42	WEY6481L0177	CLICK SPRING		1
43	WEY6402Y3247	SELECTOR HANDLE	▲	1
44	WEY6930L0177	CLICK SPRING		1
45	WEY6930K9218	SCREW	*C K3-20	9
46	WEY6902L1458	GEAR BOX BLOCK		1
-	WEY9596K7018	TOOL CASE	▲	1
-	WEY6932K8008	INDIVIDUAL BOX	▲	1
-	WEY6903K8108	OPERATING INSTRUCTIONS	▲	1

** Battery Pack is available as an optional accessory. See the nearest sales dealer for details.

*** For replacement parts of charger, see the charger service manual.

Charger complete set is available as an optional accessory. See the nearest sales dealer for details.