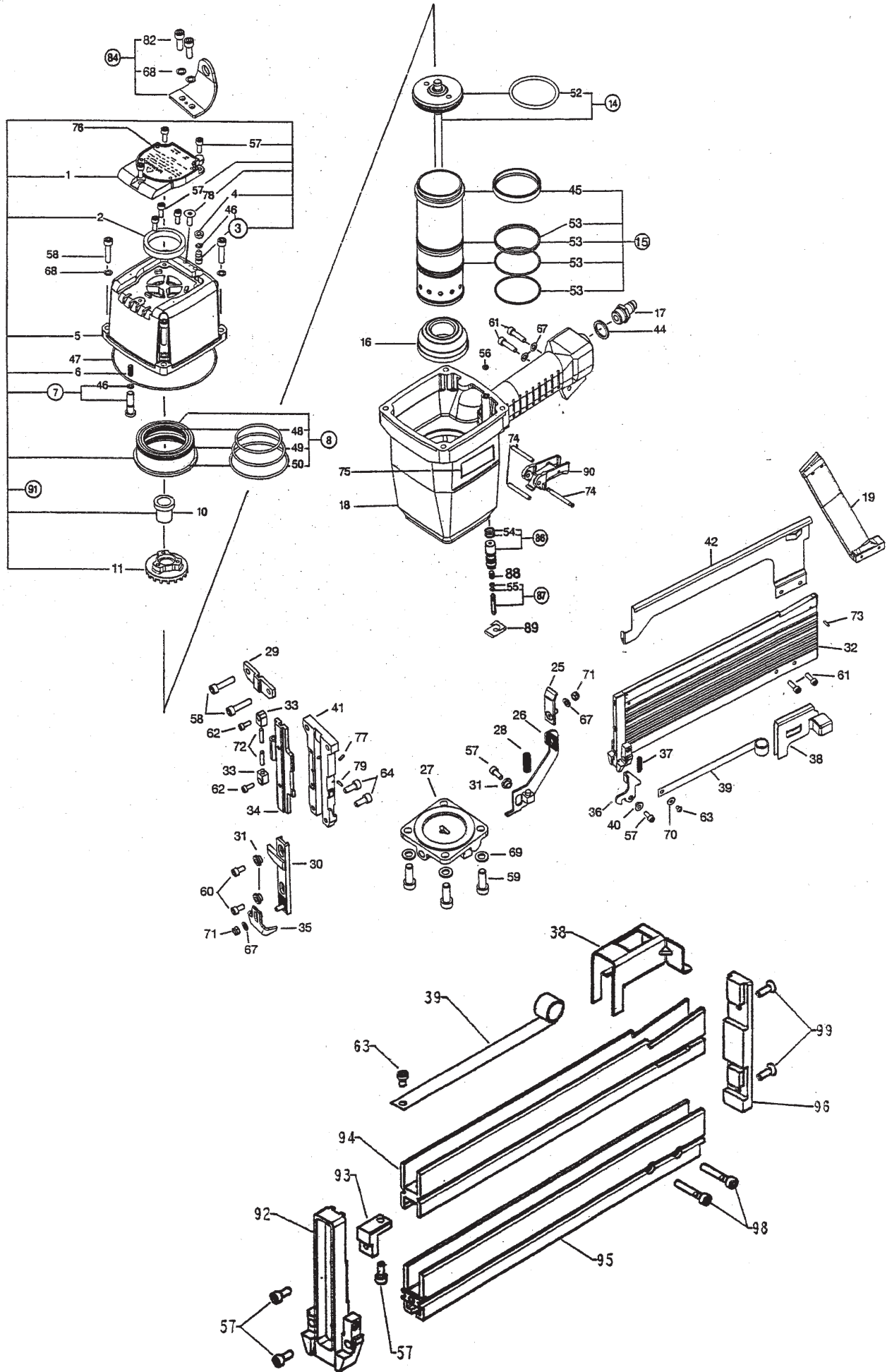




KBS130B



KBS130B

| Pos. Nr. | Artikel Nr. | Benennung | Designation |
|----------|-------------|--------------------------|---------------------|
| 1 | 039007 | Entlüftungskappe | cover |
| 2 | 039049 | Schalldämpfer | sound absorber |
| 3 | 039935 | Steuerkolben kpl. | piston valve cpl. |
| 4 | 039048 | Verschlussring | lock ring |
| 5 | 039005 | Deckel mtg. | cap |
| 6 | 039037 | Druckfeder | spring |
| 7 | 039036 | Druckbolzen kpl. | valve ring cpl. |
| 8 | 039034 | Ventilring kpl. | valve ring cpl. |
| 10 | 039033 | oberer Puffer | bumper top |
| 11 | 039338 | Ventilinnenteil | valve inner ring |
| 14 | 035339 | Kolben kpl. | piston cpl. |
| 15 | 039184 | Zylinder kpl. | cylinder cpl. |
| 16 | 035331 | Puffer | bumper |
| 17 | 037172 | Anschlussnippel | connecting nipple |
| 18 | 039001 | Gehäuse mtg. | main housing |
| 19 | 035374 | Magazinstütze | support |
| 25 | 039068 | Auslösesicherung kpl. | safety yoke cpl. |
| 26 | 035362 | Auslösesicherung Untert. | ssafety yoke |
| 27 | 035342 | Bodenplatte | bottom plate |
| 28 | 039071 | Druckfeder | spring |
| 29 | 035346 | Klammerstop | stop |
| 30 | 035348 | Aufschlagstück kpl. | contact part |
| 31 | 036187 | Hülse | sleeve |
| 32 | 035318 | Klammerträger mtg. | staple rail |
| 33 | 035321 | Scharnier | hinge |
| 34 | 035347 | Vorderplatte | front plate |
| 35 | 035349 | Eintreibbegrenzer | flush drive adapter |
| 36 | 014127 | Klinke | latch |
| 37 | 014126 | Feder | spring |
| 38 | 035372 | Kolben | pusher |
| 39 | 039931 | Rollfeder | roll spring |
| 40 | 014128 | Distanzring | spacer |
| 41 | 035345 | Zwischenplatte | intermediate plate |
| 42 | 035327 | Federblech | guide rail |
| 44 | 035340 | Dichtung | seal |
| 45 | 039053 | Dichtung | seal |
| 46 | 034838 | O-Ring | o-ring |
| 47 | 034936 | O-Ring | o-ring |
| 48 | 034938 | O-Ring | o-ring |
| 49 | 034939 | O-Ring | o-ring |
| 50 | 034945 | O-Ring | o-ring |
| 52 | 034950 | Kolbendichtung | piston sealing |
| 53 | 034948 | O-Ring | o-ring |
| 54 | 034839 | O-Ring | o-ring |
| 55 | 034851 | O-Ring | o-ring |
| 56 | 034868 | O-Ring | o-ring |
| 57 | 009337 | Schraube | screw |
| 58 | 035068 | Schraube | screw |
| 59 | 034992 | Schraube | screw |
| 60 | 012143 | Schraube | screw |

| Pos. Nr. | Artikel Nr. | Benennung | Designation |
|----------|-------------|------------------------|--------------------|
| 61 | 035035 | Schraube | screw |
| 62 | 034959 | Schraube | screw |
| 63 | 034978 | Schraube | screw |
| 64 | 035040 | Schraube | screw |
| 67 | 035083 | Scheibe | washer |
| 68 | 034908 | Scheibe | washer |
| 69 | 034731 | Scheibe | washer |
| 70 | 034905 | Scheibe | washer |
| 71 | 012065 | Mutter | nut |
| 72 | 037037 | Stift | pin |
| 73 | 037010 | Stift | pin |
| 74 | 012059 | Spiralspannstift | roll pin |
| 75 | 035375 | Typenschild | model plate |
| 76 | 036771 | Sicherheitsschild | warning label |
| 77 | 033103 | Stift | pin |
| 78 | 039085 | Tellerstopfen | plug |
| 79 | 036987 | Stift | pin |
| 82 | 035040 | Schraube | screw |
| 84 | 039084 | Aufhänger | hanger |
| 86 | 039108 | Auslösebuchse kpl. | valve bushing cpl. |
| 87 | 039109 | Auslösestift kpl. | releasing pin cpl. |
| 88 | 039129 | Druckfeder | spring |
| 89 | 039098 | Sicherung | safety |
| 90 | 033108 | Auslöser kpl. | trigger cpl. |
| 91 | 039337 | Deckel kpl. | cap cpl. |
| 92 | 035363 | Füllstück | fill piece |
| 93 | 035364 | Winkel | angel |
| 94 | 035365 | Klammerträger Mtg. | stapleholder |
| 95 | 035368 | Magazin-Unterteil Mtg. | magazine btm. |
| 96 | 035371 | Verbindungsglasche | connection piece |
| 97 | 037042 | Spannhülse | clamp |
| 98 | 012066 | Schraube | bolt |
| 99 | 035048 | Schraube | bolt |