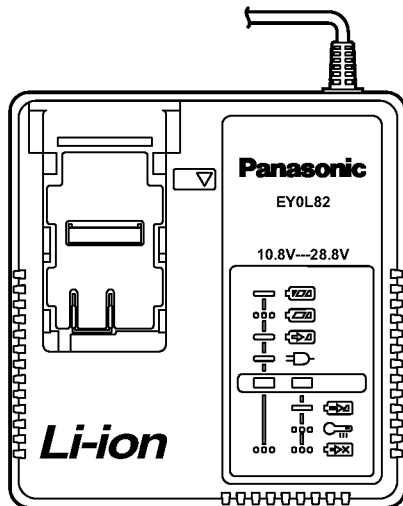


Service Manual

Battery Charger

Model No. **EY0L82**

Europe
Oceania



⚠ WARNING

This service information is designed for experienced repair technicians only and is not designed for use by the general public. It does not contain warnings or cautions to advise non-technical individuals of potential dangers in attempting to service a product. Products powered by electricity should be serviced or repaired only by experienced professional technicians. Any attempt to service or repair the product or products dealt with in this service information by anyone else could result in serious injury or death.

IMPORTANT SAFETY NOTICE

There are special components used in this equipment which are important for safety. These parts are marked by **⚠** in the Schematic Diagrams, Circuit Board Diagrams, Exploded Views and Replacement Parts List. It is essential that these critical parts should be replaced with manufacturer's specified parts to prevent shock, fire or other hazards. Do not modify the original design without permission of manufacturer.

TABLE OF CONTENTS

	PAGE	PAGE
1 Warning-----	2	
2 Specifications -----	2	
3 Troubleshooting Guide-----	3	
4 Disassembly and Assembly Instructions -----	5	
5 Wiring Connection Diagram -----	10	
6 Schematic Diagram -----	10	
7 Exploded View and Replacement Parts List -----	11	

1 Warning

Caution:

- Pb free solder has a higher melting point than standard solder; Typically the melting point is 50 - 70°F (30 - 40°C) higher. Please use a soldering iron with temperature control and adjust it to 750 ± 20°F (400 ± 10°C). In case of using high temperature soldering iron, please be careful not to heat too long.
- Pb free solder will tend to splash when heated too high (about 1100°F / 600°C).

2 Specifications

MAIN UNIT

Input	AC220-240V, 50-60Hz
Output	DC8...34V, 4.5A
Power consumption	Max. 95W
Weight	0.93kg

CHARGING TIME

Voltage	10.8 V		14.4 V			
	Model No.	EYFB30	EYFB31	EY9L41	EY9L42	EY9L44
Charging time	Usable:35min	Usable:30min	Usable:35min	Usable:30min	Usable:40min	Usable:50min
	Full:45min	Full:35min	Full:50min	Full:35min	Full:55min	Full:60min

Voltage	14.4 V	18 V		21.6 V	28.8 V
	Model No.	EYFB40	EY9L50	EY9L51	EY9L61
Charging time	Usable:40min	Usable:40min	Usable:55min	Usable:50min	Usable:65min
	Full:55min	Full:55min	Full:70min	Full:60min	Full:75min

Note:

This chart may include models that are not available in your area. Please refer to the latest general catalogue.

3.2. Trial Operation (After Checking Troubleshooting Guide)

3.2.1. Assembly

- Confirm if there is no gap between Housing A and B by pinching lead wires or power cord.
- Confirm if the slide terminal cover moves smoothly.
- Confirm if 4 screw caps are attached to a housing B.

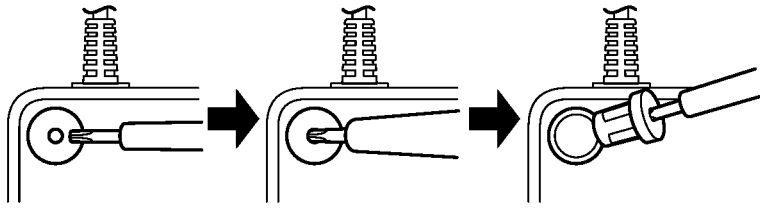
3.2.2. Operation

- Confirm if the LED lamp works normally by insert and remove the battery pack.
- Confirm if the power cord does not break by moving the power cord bushing from side to side and up and down.
- There should be no abnormal heating or sound.

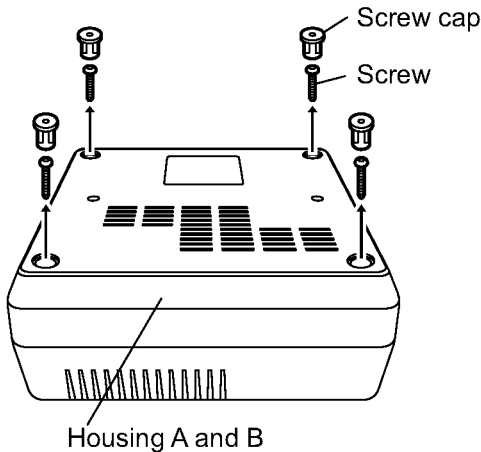
4 Disassembly and Assembly Instructions

* Please assemble by opposite procedure.

4.1. How to remove screw caps and screws of housing A and B



1. Take out 4 screw caps using a torx screwdriver.



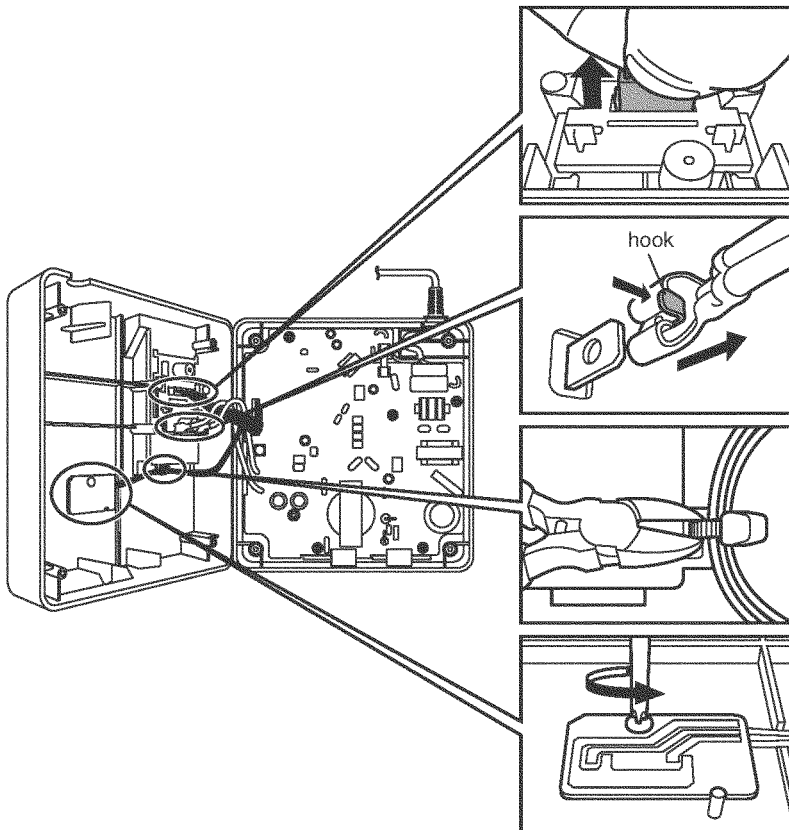
2. Loosen 4 screws of housing A and B.

■ **For assembly :**

Tightening torque value

$78.4 \pm 19.6 \text{ N} \cdot \text{cm}$ ($8 \pm 2 \text{ Kgf} \cdot \text{cm}$)

4.2. How to remove the connector for module and slide battery terminal and the LED PCB



1. Take out the connector by holding the bottom of connector.

■ **For assembly :**

Be sure not to insert it wrong way.

2. Pull up the terminal pushing a hook.

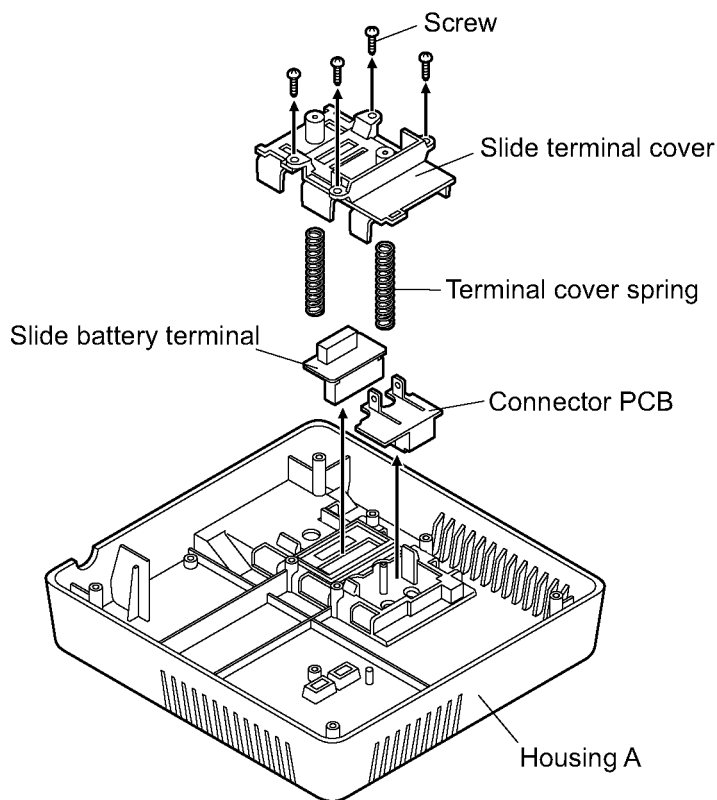
■ **For assembly :**

Insert salient of a faston terminal to the hole of a slide battery terminal firmly.

3. Cut a insulation lock fastening lead wires to the slide terminal cover by nippers.

4. Take out a screw of the LED PCB.

4.3. How to remove the terminal base



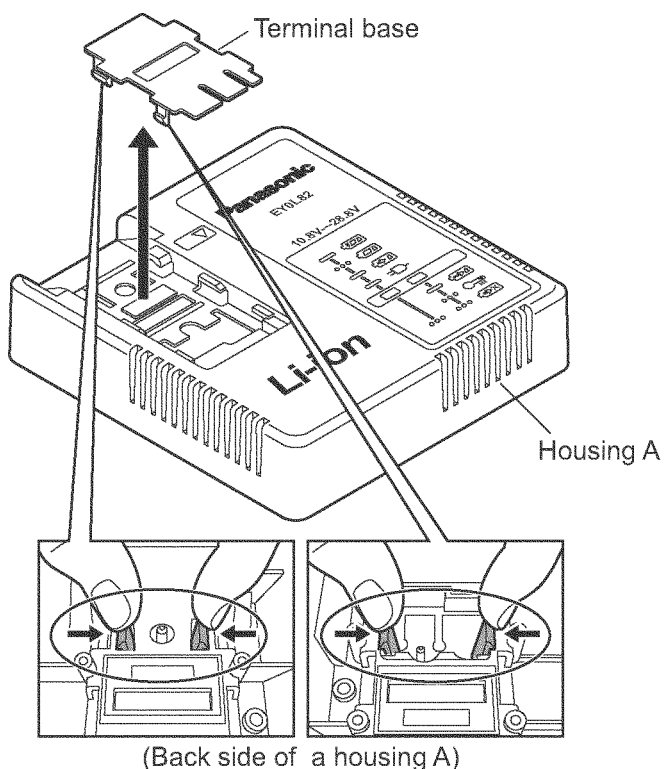
1. Loosen 4 screws.
Be careful that terminal cover springs push up the slide terminal cover.
Take out screws holding down the slide terminal cover.

■ **For assembly :**
Tightening torque value
 $29.4 \pm 4.75 \text{ N} \cdot \text{cm}$ ($3 \pm 0.5 \text{ Kg} \cdot \text{cm}$)

2. Remove the slide terminal cover.
3. Remove 2 terminal cover springs.
4. Remove the connector PCB.
5. Remove the slide battery terminal.

■ **For assembly :**
Insert springs to ribs of the terminal base.

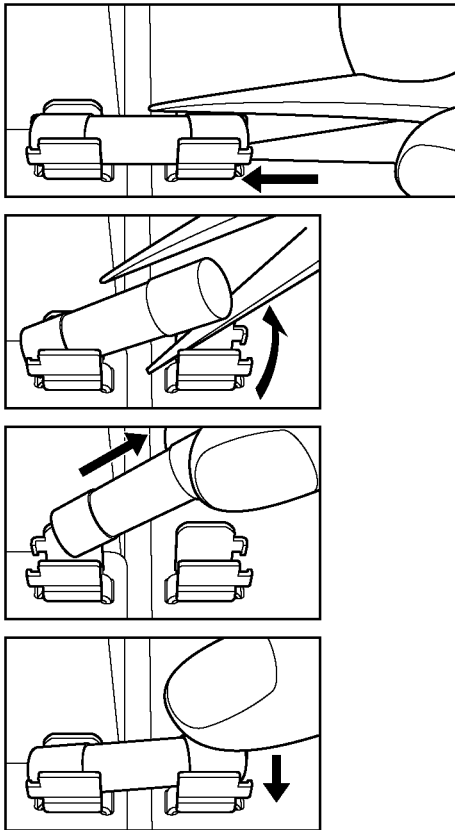
4.4. How to remove the terminal base from the housing A



1. Remove the terminal base from the housing A.

■ **NOTE :**
Remove the terminal base pushing hooks from back side of the housing A.

4.5. How to remove a Fuse



1. Insert tweezers between a fuse and a fuse holder.

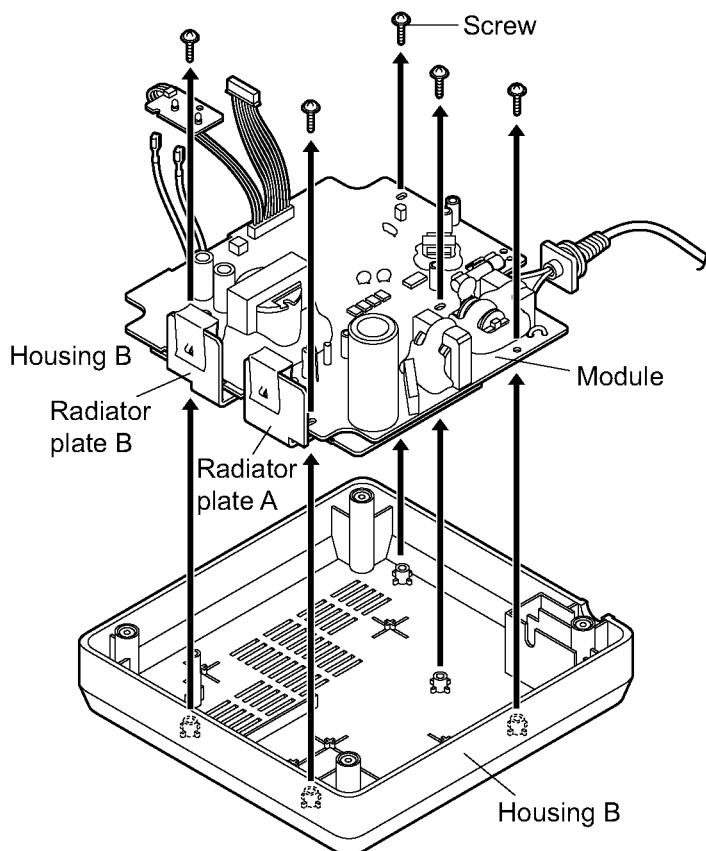
2. Remove the fuse from the fuse holder.

3. Remove the other side by hand.

■ **For assembly :**

Place the fuse on the fuse holder and push it down firmly until it clicks.

4.6. How to remove the module from the housing B



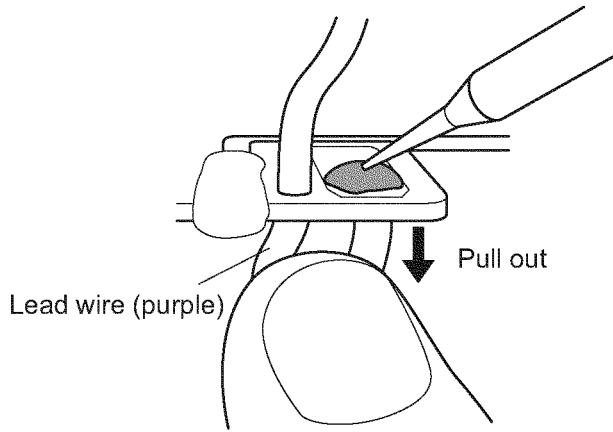
1. Take out 5 screws.

2. Remove the module from housing B.

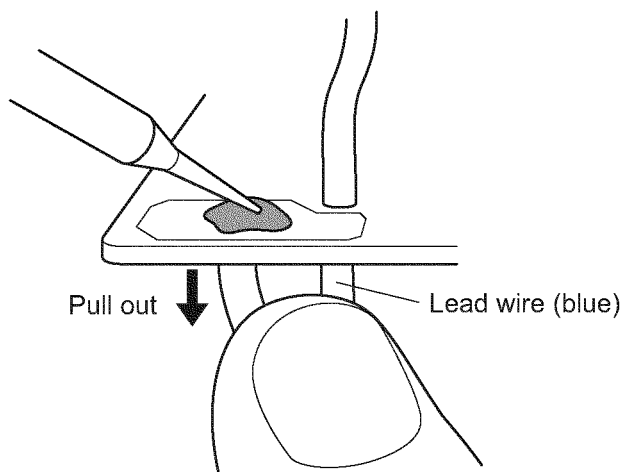
■ **For assembly :**

- Fit the holes of the module and the radiator plates.
- Tightening torque value $29.4 \pm 4.75 \text{ N} \cdot \text{cm}$ ($3 \pm 0.5 \text{ Kg} \cdot \text{cm}$)

4.7. How to remove the power cord from the module



1. Unsolder the solder on purple lead wire from back side of the module and pull it out.



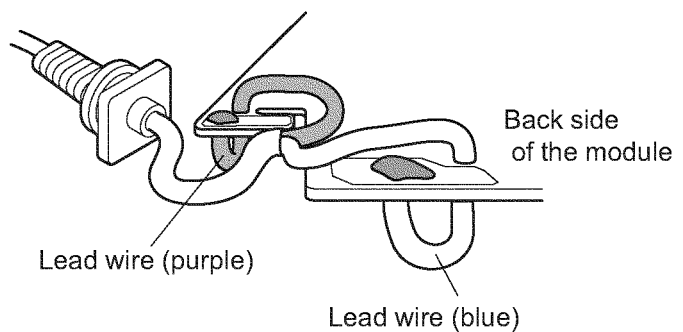
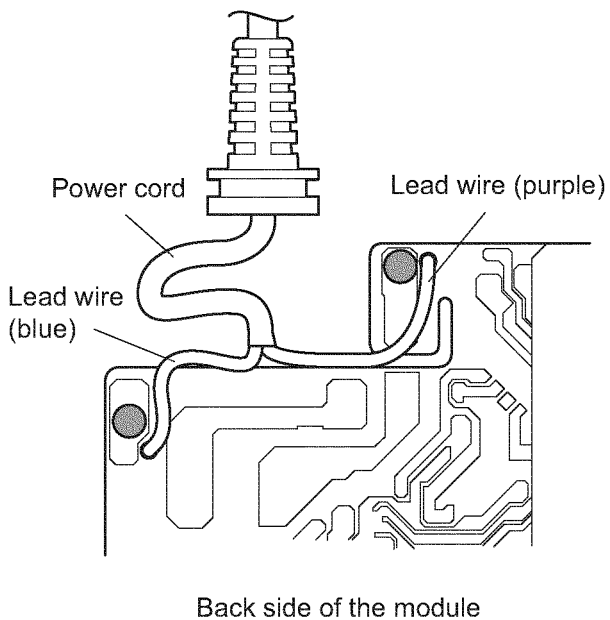
2. Pull out a blue lead wire in the same way.

■ **NOTE :**

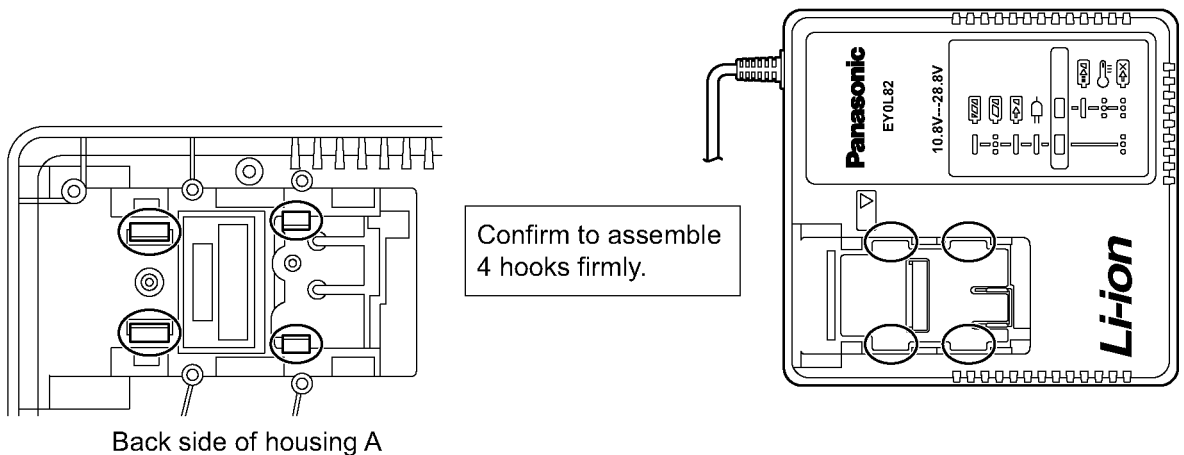
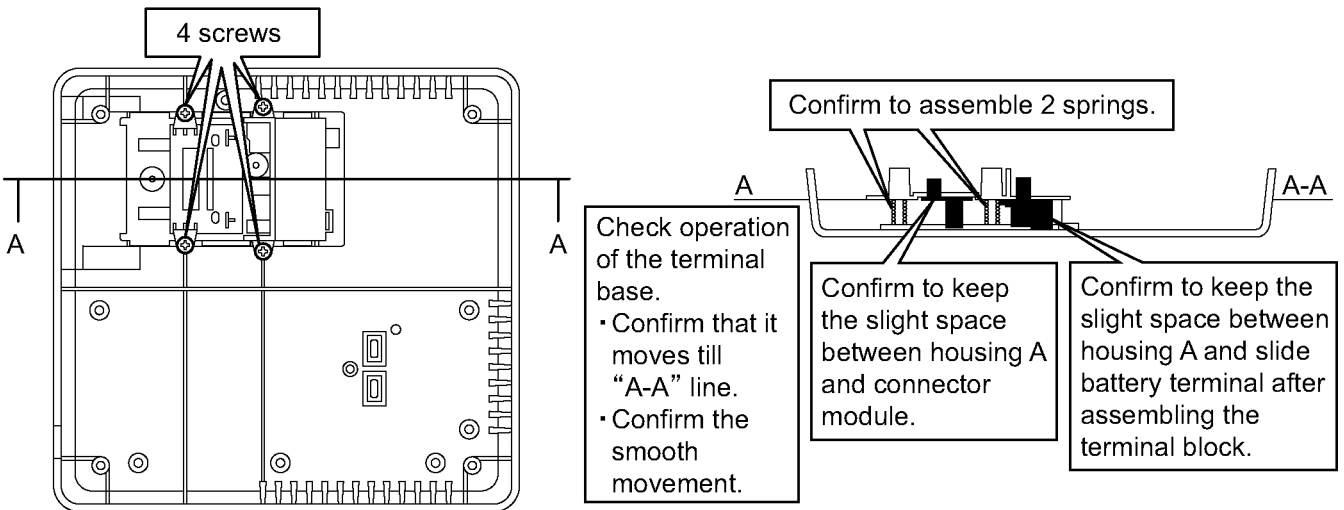
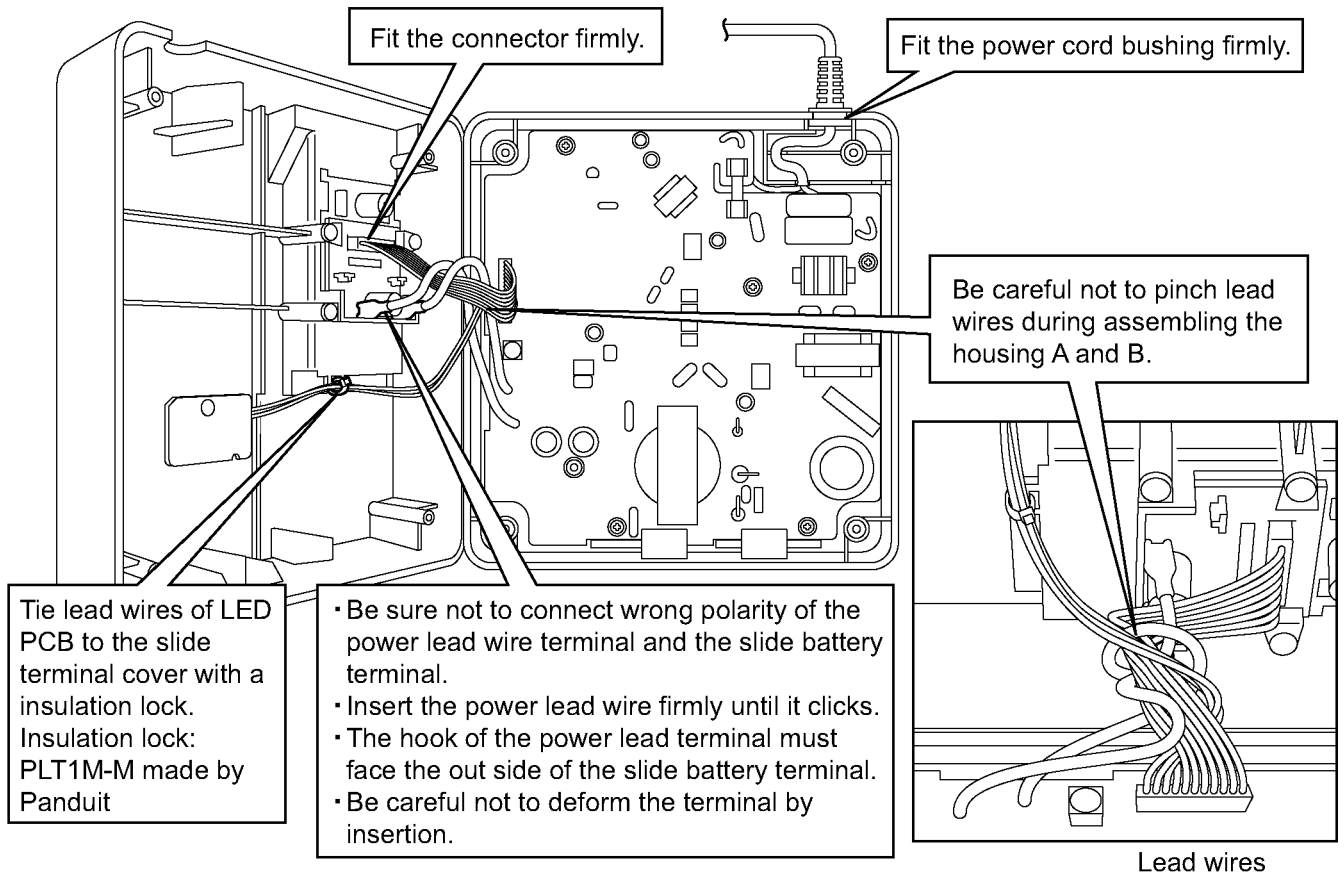
Be careful not to melt the lead wire cover by over heat.

■ **For assembly :**

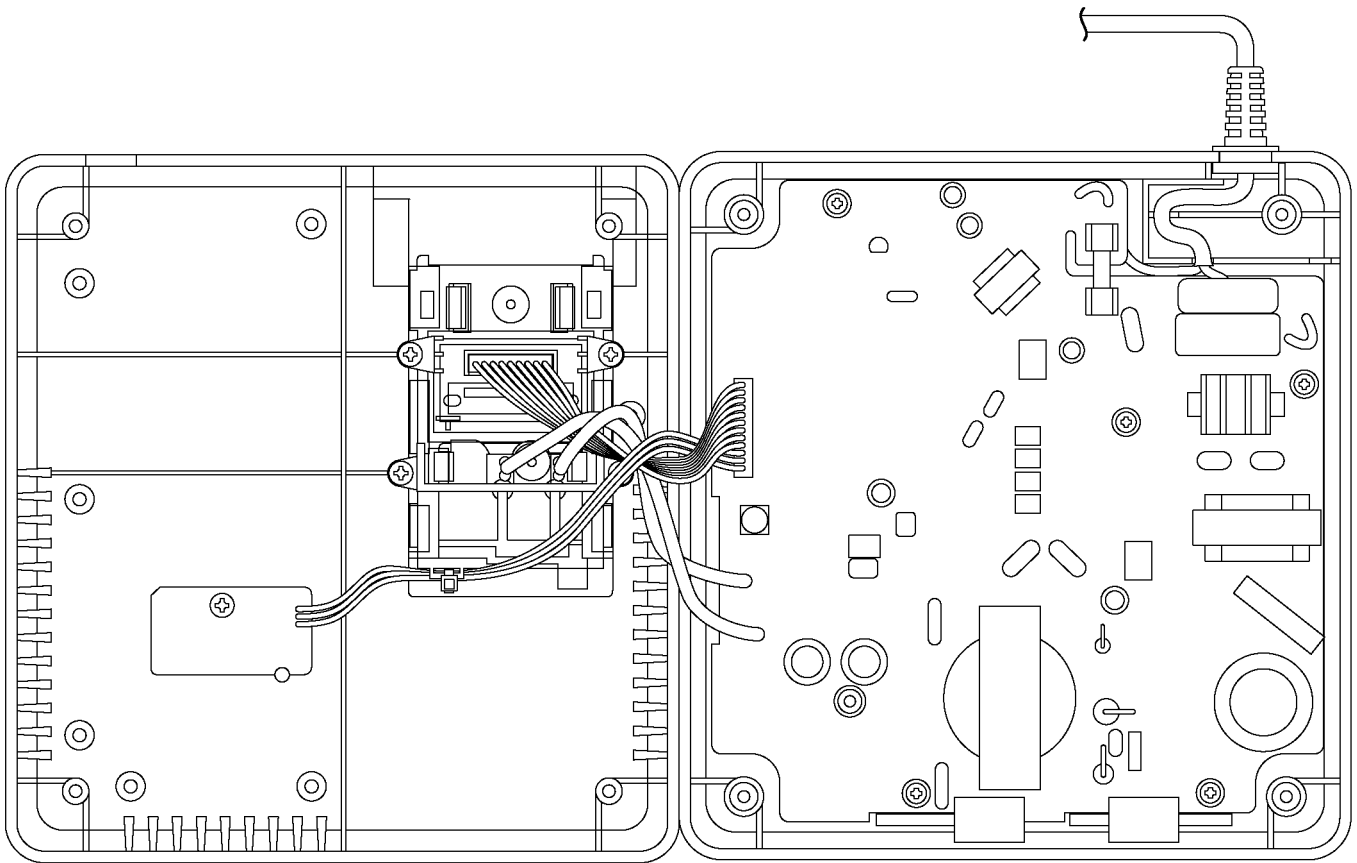
1. Thread lead wires through holes as the illustration below.
2. Fold the end of lead wires inward and solder them.



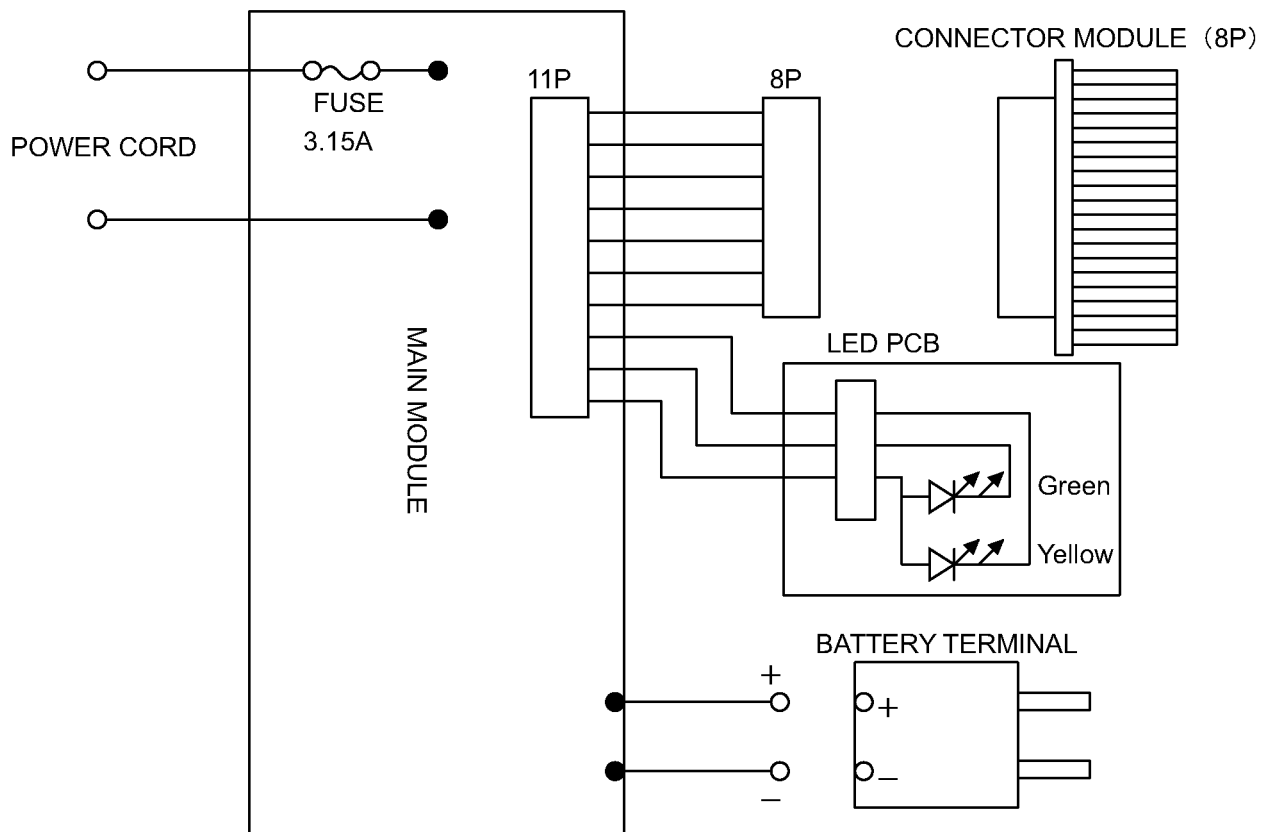
4.8. Caution for assembly



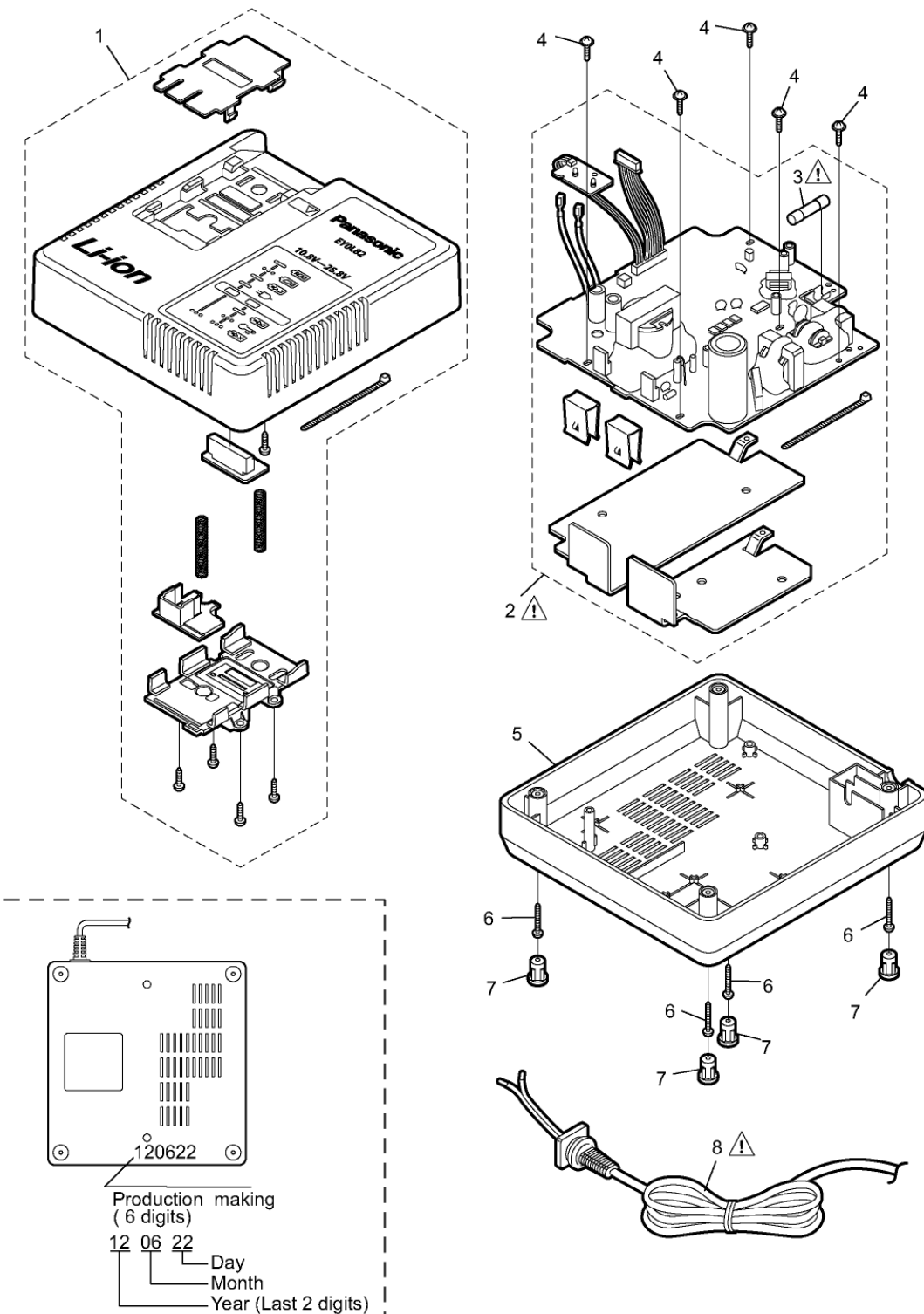
5 Wiring Connection Diagram



6 Schematic Diagram



Model No. : EY0L82 Exploded View



- * Battery Pack is available as an optional accessory. See the nearest sales dealer for details.
 - * For replacement parts of charger, see the charger service manual.
- Charger complete set is available as an optional accessory. See the nearest sales dealer for details.

Model No. : EY0L82 Parts List

Safety	Ref. No.	Part No.	Part Name & Description	Q'ty	Remarks
	1	WEY0L82K4158	HOUSING A ASSEMBLY	1	
	2	WEY0L82L2109	MAIN PCB ASSEMBLY	1	
	3	WEY0L80L2618	FUSE	1	(250V 3.15A)
	4	WEY6230L6017	TAPPING SCREW	5	(2.6*8)
	5	WEY0L82K3029	HOUSING B	1	
	5	WEY0L82K3020	HOUSING B	1	(Only for Oceania)
	6	WEY0217K6236	TORX TAPPING SCREW	4	(3*20)
	7	WEY0L80K3178	SCREW CAP	4	(4PCS/PK)
	8	WEY0L82K2059	POWER CORD	1	(C-2 PLUG)
	8	WEY0L82K2050	POWER CORD	1	(S-3 PLUG)
	8	WEY0L82K2051	POWER CORD	1	(O PLUG)
	-	WEY0L82K8009	INDIVIDUAL BOX	1	
	-	WEY0L82K8000	INDIVIDUAL BOX	1	(Only for U.K.)
	-	WEY0L82K8108	OPERATING INSTRUCTIONS	1	