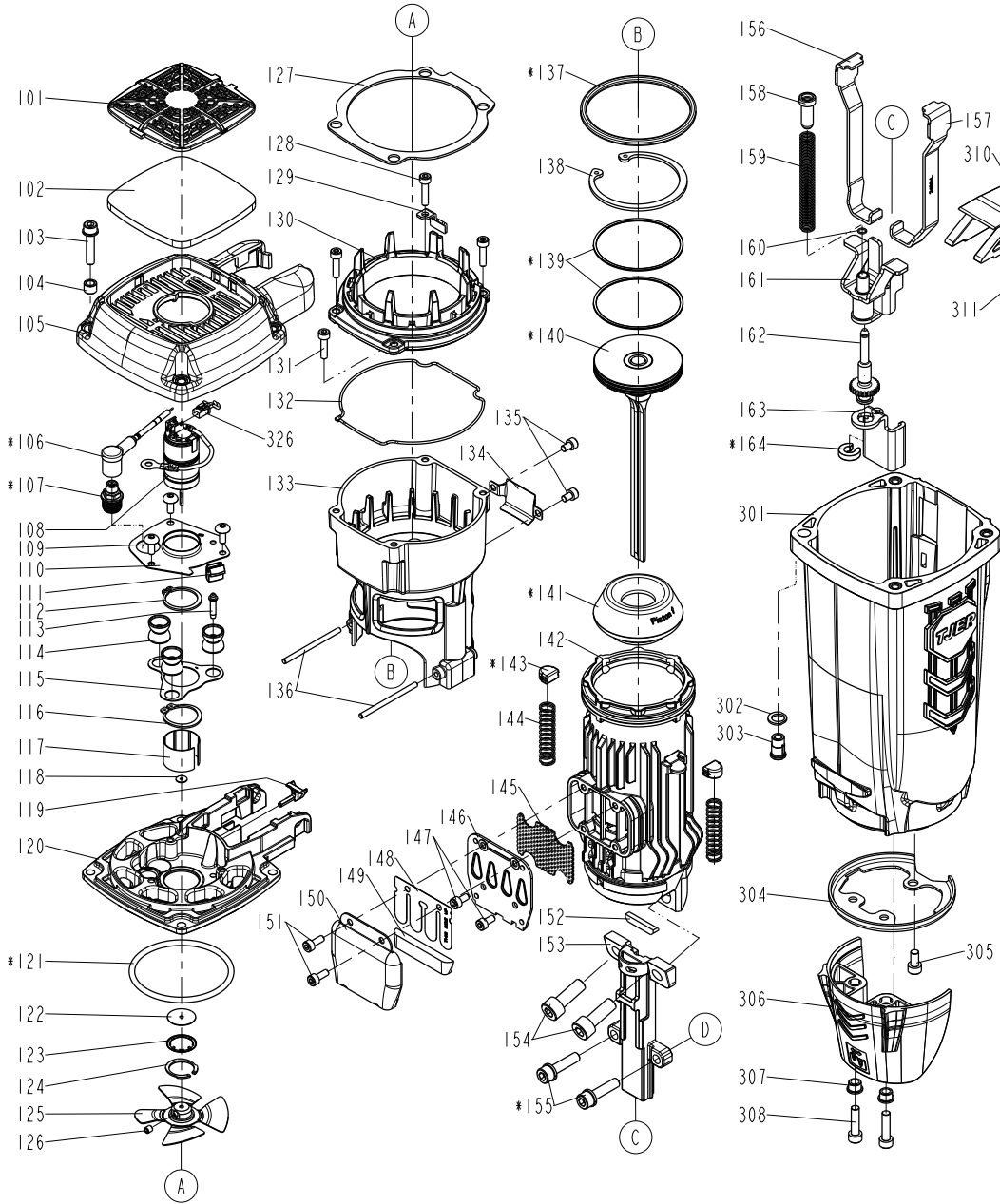
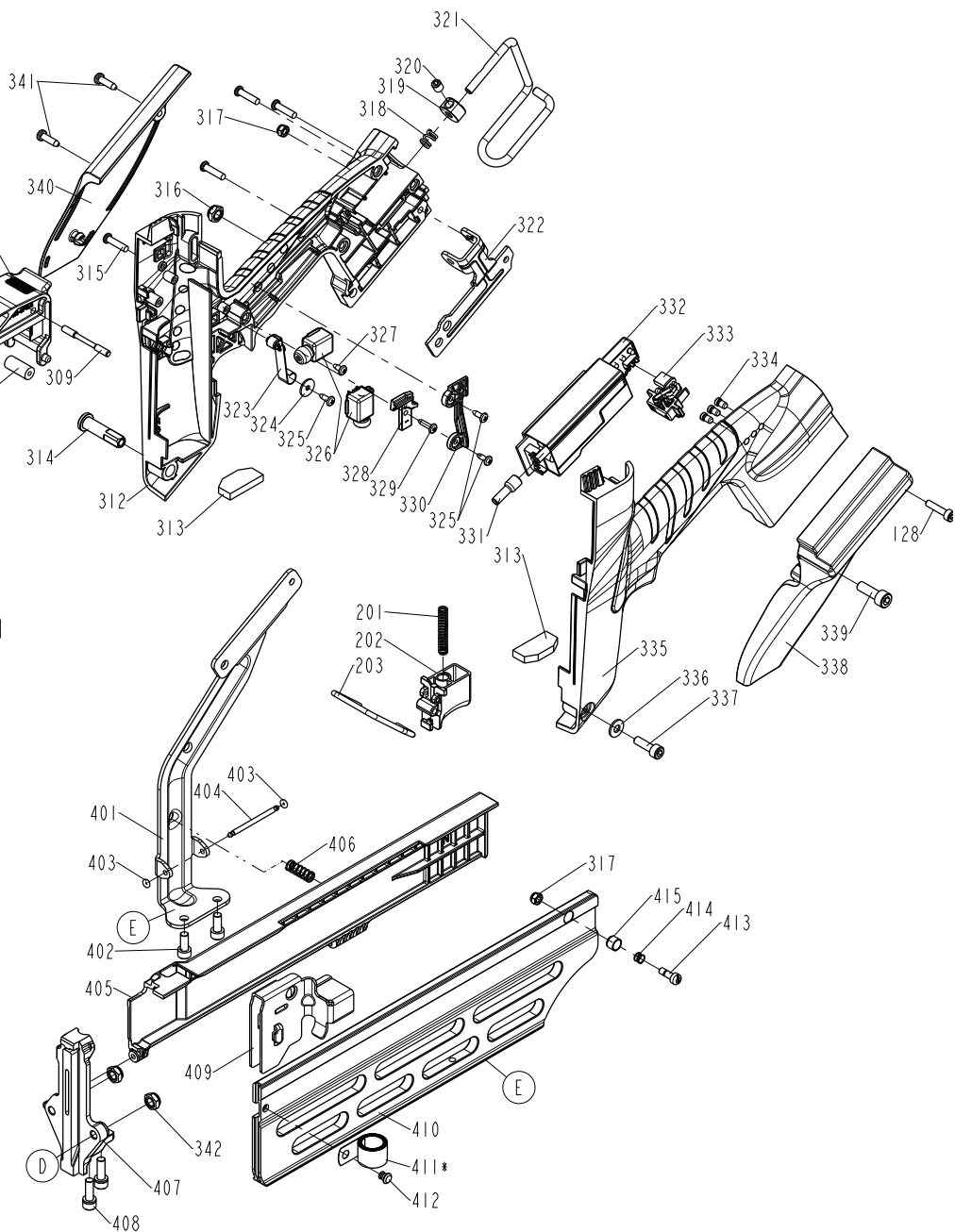


# TJEP PQZ-75 GAS 3G





# Accessories

ITEM NO.	PART NO.	DESCRIPTION
101	11371-1154705-1	DEFLECTOR
102	1121N-1150002-1	FILTER UNIT
103	2040100-03130-5	BOLT W/FLAT WASHER
104	1136P-1154701-1	COLLOR
105	11369-115A201-1	CAP
106	11216-1150003-4	HIGH VOLTAGE CABLE SET
107	1120D-1154701-1	SPARKLER
108	1120N-1150003-1	MOTOR UNIT
109	2040102-02043-5	HALF ROUND HD.HEX.BOLT
110	1131J-1154701-1	POSITIONING SHEET
111	1136H-1154704-1	GROUND WIRE BRACKET
112	2040301-17010-0	C - RING
113	113CK-1150001-1	POSITIONING SHAFT
114	1134W-1154706-1	FEED BUMPER
115	1133X-1150001-1	SPACER
116	2040301-25010-0	C - RING
117	11398-1150002-1	SLEEVE MOTOR
118	11380-1150001-1	WASHER-MOTOR SHAFT
119	113A6-1151101-3	FUEL STEM ADAPTER
120	1139U-1150002-2	END CAP-COMBUSTION CHAMBER
121	2041108-06131-0	O - RING
122	1136X-1150001-1	SEAL
123	11323-1150003-1	SEAL PLATE-MOTOR
124	2040303-35010-0	IN-CONCENTRIC RING
125	1120C-1150001-2	COOLING FAN ASSEMBLY
126	2040104-02010-5	HEX.SOC.HD.SCREW
127	1133X-1154702-1	SPACER
128	2040101-02090-0	HEX.SOC.HD.BOLT
129	1135B-1150002-2	GUIDE
130	113AE-1150002-2	UPPER COMBUSTION CHAMBER
131	2040101-02080-4	HEX.SOC.HD.BOLT
132	1132M-1150901-1	PACKING
133	1139V-1150002-3	COMBUSTION CHAMBER
134	1139B-1150001-2	WASHER
135	2040101-02020-2	HEX.SOC.HD.BOLT
136	1131K-1150001-1	PIN
137	2041104-07061-0	O-RING
138	2040300-14010-3	C - RING

ITEM NO.	PART NO.	DESCRIPTION
139	11350-1154701-1	PISTON RING
140	11204-1790003-1	DRIVER UNIT
141	11327-1154701-1	BUMPER
142	11320-1150006-4	CYLINDER
143	1134W-1154705-1	BUMPER-COMBUSTION CHAMBER
144	11337-1154701-1	SAFETY SPRING
145	1139W-1150001-2	EXHAUST MESH PLATE
146	113A0-1150001-1	EXHAUST BAFFLE
147	2040101-02030-0	HEX.SOC.HD.BOLT
148	1139X-1150001-2	REED VALVE
149	1139L-1150001-1	CLEANER
150	113A3-1150001-2	DEFLECTOR
151	2040101-02040-0	HEX.SOC.HD.BOLT
152	11388-1794701-1	DRIVER GUIDE
153	11352-1794702-1	DRIVER GUIDE COVER A
154	2040101-05090-2	HEX.SOC.HD.BOLT
155	2040100-04030-1	BOLT ASSY
156	11330-1154705-1	SAFETY C(RIGHT)
157	11330-1154704-1	SAFETY C(LEFT)
158	11395-1154701-1	SAFETY ROD
159	11337-1154702-1	SAFETY SPRING
160	2040309-00010-0	SELF-LOCKING EXTERNAL NUTS
161	11256-1794702-1	SAFETY B UNIT
162	11249-1154701-2	ADJUST AXIE UNIT
163	11331-1794701-1	SAFETY A
164	1131C-1154703-1	RING
201	11319-1154701-1	SPRING
202	11316-115A203-1	TRIGGER
203	11335-1150005-1	SAFETY
301	11384-1154706-1	GUN BODY
302	11380-1154702-1	WASHER CAP
303	11398-1150005-1	CAP NUT
304	11323-1154704-4	CYLINDER BRACKET
305	2040101-03040-2	HEX.SOC.HD.BOLT
306	1137A-1154702-1	SAFETY COVER
307	11398-1154702-1	WASHER-NOSE COVER
308	2040101-03080-2	HEX.SOC.HD.BOLT
309	11325-1154702-1	PIN-FUEL ACTUATOR

ITEM NO.	PART NO.	DESCRIPTION
310	113A7-1154701-3	FUEL ACTUATOR
311	11398-1154701-1	BUSH-FUEL ACTUATOR
312	11233-1154752-1	HANDLE A UNIT
313	1138W-1150001-1	SPACER
314	11325-1154701-2	HANDLE BOLT
315	2040107-02040-0	TAP BOLT
316	2040500-04010-0	LOCK NUT
317	2040500-02010-0	LOCK NUT
318	1138J-1154701-1	SPRING RETAINER
319	1136C-1154704-1	POSITIONING AXIS
320	2040104-04010-0	HEX.SOC.HD.SCREW
321	1133D-1154705-1	SPRING RETAINER
322	1136H-1154708-1	RAFT HOOK BRACKET
323	1120R-1150001-2	MOTOR FAN SWITCH LEVER UNIT
324	2040201-01040-0	FLAT WASHER
325	2040108-01020-5	SELF TAPPING BOLT
326	1122B-1150005-1	MOTOR CABLE
327	2040108-01030-5	SELF TAPPING BOLT
328	11323-1154707-2	WIRE GUIDE B
329	2040108-01040-6	SELF TAPPING BOLT
330	11323-1154706-1	BRACKET UNIT
331	113EJ-1150001-1	INSULATING SLEEVE
332	1120G-1150012-2	PCB ASSEMBLY
333	1122H-1150001-1	CONNECTING UNIT
334	113AP-1150003-1	LED COVER
335	11233-1154753-1	HANDLE A UNIT
336	2040201-03040-0	FLAT WASHER
337	2040101-03070-2	HEX.SOC.HD.BOLT
338	11397-1794701-1	ATTACHMENT PLATE COVER A
339	2040101-04060-0	HEX.SOC.HD.BOLT
340	11397-1794702-1	ATTACHMENT PLATE COVER A
341	2040107-02140-0	TAP BOLT
342	2040501-04010-0	BOLT CAP
401	11323-1794703-1	POSITIONING SHEET
402	2040101-03050-2	HEX.SOC.HD.BOLT
403	1135H-1314701-1	PU RETAINER
404	1135N-0074701-1	HINGE POINT
405	11348-1794701-1	MOUNTING BRACKET

ITEM NO.	PART NO.	DESCRIPTION
406	11337-0074701-1	SAFETY SPRING
407	11303-1794702-2	DRIVER GUIDE
408	2040100-03010-8	BOLT ASSY
409	11363-1794702-1	PUSHER
410	11389-1794702-1	MAGAZINE A
411	11372-0980001-1	SPRING
412	11324-0074702-1	FIXED PIN
413	11310-0074703-1	DOOR LATCH
414	11311-0074701-1	LATCH SPRING
415	1132N-0820001-1	DEEP IMPACT SOCKET 1