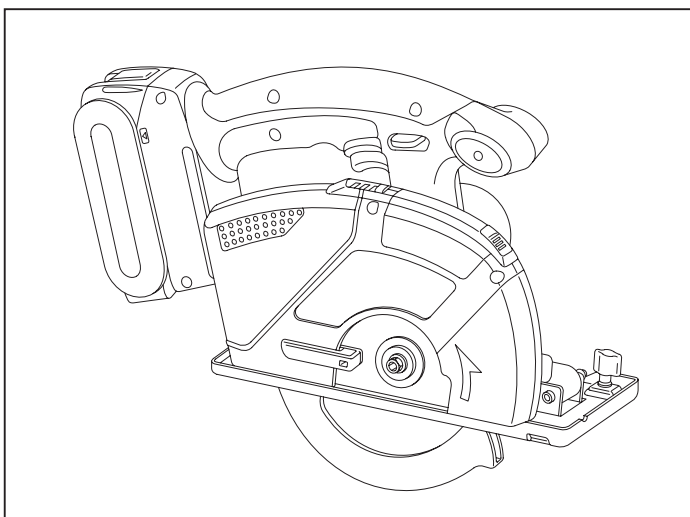


**Operating Instructions**  
**Bedienungsanleitung**  
**Instructions d'utilisation**  
**Istruzioni per l'uso**  
**Gebruiksaanwijzing**  
**Manual de instrucciones**  
**Brugsvejledning**  
**Driftsföreskrifter**  
**Bruksanvisning**  
**Käyttöohjeet**

# Panasonic

**Cordless Multi Purpose Cutter**  
**Akku-Mehrzwecksäge**  
**Scie circulaire polyvalente sans fil**  
**Cesoia Senza Fili Multiuso**  
**Snoerloze universele zaagmachine**  
**Sierra de propósitos múltiples inalámbrica**  
**Akku-multifunktionskærer**  
**Sladdlös universalcirkelsåg**  
**Oppladbar Multi-kutter**  
**Ladattava monitoimileikkuri**

**Model No: EY45A2**



Before operating this unit, please read these instructions completely and save this manual for future use.

Vor Inbetriebnahme des Gerätes die Betriebsanleitung bitte gründlich durchlesen und diese Broschüre zum späteren Nachschlagen sorgfältig aufbewahren.

Lire entièrement les instructions suivantes avant de faire fonctionner l'appareil et conserver ce mode d'emploi à des fins de consultation ultérieure.

Prima di usare questa unità, leggere completamente queste istruzioni e conservare il manuale per usi futuri.

Lees deze gebruiksaanwijzing aandachtig door voor u het apparaat in gebruik neemt en bewaar de gebruiksaanwijzing voor eventuele naslag.

Antes de usar este aparato por primera vez, lea todas las instrucciones de este manual y guarde el manual para poderlo consultar en el futuro.

Gennemlæs denne betjeningsvejledning før brugen og gem den til fremtidig brug.

Läs igenom hela bruksanvisningen innan verktyget tas i bruk. Spara bruksanvisningen för senare användning.

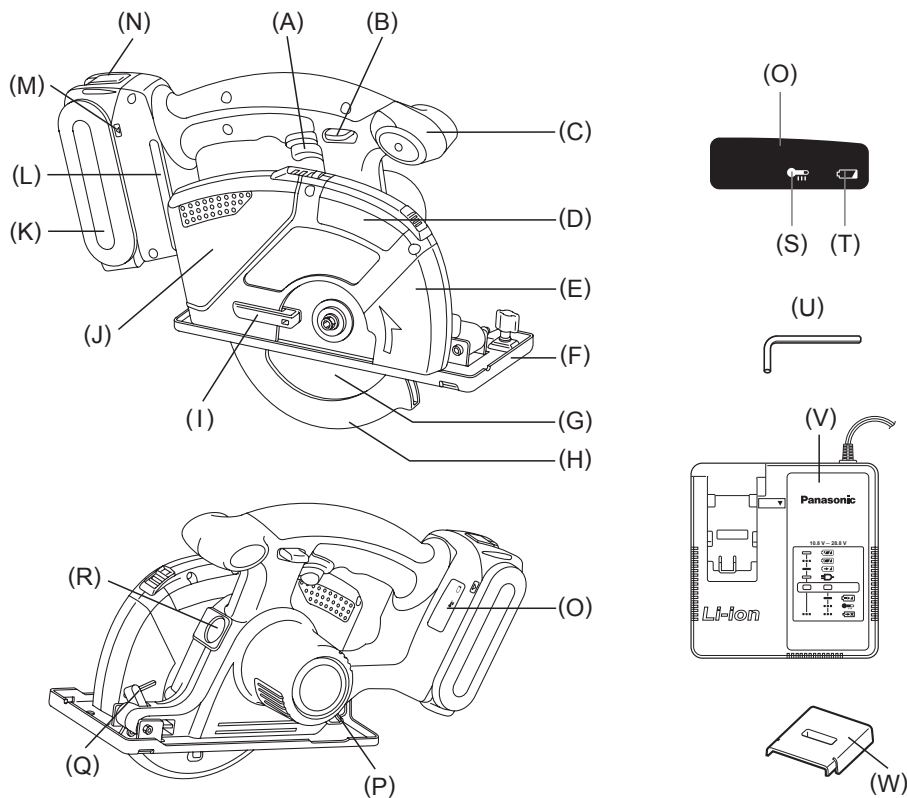
Før enheten tas i bruk, vennligst les alle disse anvisningene og oppbevar deretter bruksanvisningen for senere bruk.

Lue ohjeet huolella ennen laitteen käyttöönottoa ja säilytä tämä käyttöohje tallessa tulevaa tarvetta varten.

**Index/Index/Index/Indice/Index/Indice/Indeks/Index/Indeks/Hakemisto**

English:	Page	6	Español:	Página	93
Deutsch:	Seite	23	Dansk:	Side	110
Français:	Page	41	Svenska:	Sidan	127
Italiano:	Pagina	59	Norsk:	Side	144
Nederlands:	Bladzijde	76	Suomi:	Sivu	160

**FUNCTIONAL DESCRIPTION  
 FUNKTIONS-BESCHREIBUNG  
 DESCRIPTION DES FONCTIONS  
 DESCRIZIONE DELLE FUNZIONI  
 FUNCTIEBESCHRIJVING  
 DESCRIPCIÓN FUNCIONAL  
 FUNKTIONS-BESKRIVELSE  
 FUNKTIONS-BESKRIVNING  
 FUNKSJONS-BESKRIVELSE  
 TOIMINTOJEN KUVAUS**



(A)	<p>Power switch Betriebsschalter Interrupteur d'alimentation Interruttore di accensione Hoofdschakelaar Interruptor de alimentación Afbrøder Startomkopplare Strømbryter Käyttökytin</p>	(B)	<p>Switch lock lever Schalter-Verriegelungshebel Levier de verrouillage d'interrupteur Levetta di blocco interruttore Schakelaarblokkeerhendel Palanca de bloqueo del interruptor Afbrøderlås Omkopplarlås Spørre for strømbryter Käyttökytimen lukitusvipu</p>
(C)	<p>Front grip Vorderer Griff Poignée avant Impugnatura anteriore Voorste greep Empuñadura frontal Forreste håndtag Framgrepp Fronthåndtak Etukahva</p>	(D)	<p>Front cover Frontabdeckung Couvercle avant Coperchio anteriore Voorste afdekking Cubierta frontal Frontdæksel Framre skyddskåpa Frontdæksel Etukansi</p>
(E)	<p>Transparent guard Klarsichthaube Protège-lame transparent Protezione trasparente Doorzichtige beschermkap Protector transparente Gennemsigtig skærm Genomskinligt skydd Gjennomsiktig bladskjerm Läpinäkyvä suojuus</p>	(F)	<p>Shoe Gleitschuh Sabot Pattino Schoen Zapata Skæreplade Sko Fot Pöytä</p>
(G)	<p>Blade* (EY9PM13E) Blatt (EY9PM13E) Lame de scie (EY9PM13E) Lama (EY9PM13E) Zaagblad (EY9PM13E) Cuchilla (EY9PM13E) Blad (EY9PM13E) Klinga (EY9PM13E) Blad (EY9PM13E) Terä (EY9PM13E)</p>	(H)	<p>Lower guard Untere Schutzvorrichtung Protecteur mobile inférieur de lame Protezione inferiore Onderste beschermkap Protector inferior de la cuchilla Nederste skærm Undre skydd Nedre beskyttelsesskjerm Teräsuoja</p>
(I)	<p>Retracting handle Rückzughebel Poignée rétractable Leva di ritorno Terugtrekendel Mango retractable Tilbagetrækningshåndtag Uppfällningsspak Tilbakeførbart håndtak Teränsuojan vipu</p>	(J)	<p>Dust case Staubgehäuse Boîte à poussière Raccogliolvvere Stofhuis Caja de polvo Støvopsamler Dammhuv Støvdæksel Pölykotelo</p>

(K)	<p>Battery pack Akkupack Batterie autonome Pacco batteria Accu Bateria Batteripakning Batteri Batteri Akku</p>	(L)	<p>Storage slot for hex wrench Schlüsseldepot Fente de rangement de clé hexagonale Fessura di custodia della chiave esagonale Opberggleuf voor zesnantsleutel Ranura para guardar la llave hexagonal Holder til fastnøgle Förvaringsspår för insexnyckel Lagringssslisse for sekskantnøkkel Kuusioavaimen säilytyslokero</p>
(M)	<p>Battery pack alignment mark Akku-Ausrichtmarke Marque d'alignement de la batterie autonome Marcatura allineamento pacco batteria Uitlijnteken voor accu Marca de alineamiento del paquete de las baterías Mærke til indretning af batteripakning Anpassningsmärke för batteri Innrettingsmerke for batteriet Akun sovitusmerkki</p>	(N)	<p>Battery pack release button Akku-Entriegelungsknopf Bouton de libération de batterie autonome Tasto di rilascio blocco batteria Ontgrendelknop voor accu Botón de liberación de la batería Udløserknop til batteripakning Frigjøringsknapp för batteri Frigjøringsknapp for batteriet Akun vapautuspainike</p>
(O)	<p>Control panel Bedienfeld Panneau de commande Pannello di controllo Bedieningspaneel Panel de control Kontrolpanel Manöverpanel Betjeningspanel Merkkivalopaneeli</p>	(P)	<p>Depth adjustment nut Tiefeneinstellmutter Ecrou d'ajustement de la profondeur Dado di regolazione della profondità Diepte-instelmoer Tuerca de ajuste de profundidad Dybdeindstillingsmøtrik Djupinställningsratt Dybdejusteringsspake Syvyyden säätömutteri</p>
(Q)	<p>LED light LED-Leuchte Lumière DEL Luce LED LED-lampje Luz indicadora LED-lys LED-ljus LED-lys LED-valo</p>	(R)	<p>Spindle lock button Spindelarretierknopf Bouton de verrouillage de broche Tasto di blocco albero Asblokkeerknop Botón de bloqueo del husillo Akselläseknop Låsknapp för spindel Knapp for aksellås Karan lukituspainike</p>
(S)	<p>Overheat warning lamp (battery) Überhitzungs-Warnlampe (Akku) Témoin d'avertissement de surchauffe (batterie) Spia avvertenza surriscaldamento (batteria) Oververhitting-waarschuwingslampje (accu) Luz de advertencia de sobrecalentamiento (batería) Advarselslamp til overophedning (batteri) Varningslampa för överhettning (batteri) Varsellampe for overheting (batteri) Ylikuumenemisen varoituslamppu (akku)</p>	(T)	<p>Battery low warning lamp Akkuladungs-Warnlampe Témoin d'avertissement de batterie basse Spia avvertenza batteria scarica Accuspanning-waarschuwingslampje Luz de aviso de baja carga de batería Advarselslampes batterieffekt lav Varningslampa för svagt batteri Varsellampe for lavt batteri Alhaisen akkutehon varoituslamppu</p>

(U)	Hex wrench Inbusschlüssel Clé hexagonale Chiave esagonale Zeskantsleutel Llave hexagonal Fastnøgle Insexnyckel Sekskantnøkkel Kuusioavain	(V)	Battery charger Ladegerät Chargeur de batterie Caricabatterie Acculader Cargador de la batería Batterioplader Batteriladdare Batterilader Akkulaturi
(W)	Battery pack cover Akkuabdeckung Couvercle de la batterie autonome Coperchio pacco batteria Accu-afdekking Cubierta de batería Pakningsdæksel Batteriskydd Batterideksel Akun liitinsuoja		

\*Never use blades rated for speeds below that of main unit rpm.

**Original instructions: English**  
**Translation of the original instructions:**  
**Other languages**

**Read “the Safety Instructions” booklet and the following before using.**

## I. INTRODUCTION

This tool is a Multi Purpose Cutter. By changing the blade, it can be used to cut wood, metal, and plastic. Dust can be collected by an integrated dust case or via a connected vacuum (by attaching the hose to the tool).

### **⚠ DANGER**

This product is a cutting tool, designed to cut through metal and wood. It has a rotating blade which is capable of cutting you deeply, causing serious injury or death. As a result, please read this manual and the cautionary markings on the tool carefully, and obey all of the Safety Instructions to avoid such injury.

### **⚠ WARNING**

To avoid injury, never insert your finger or any other object into any opening of the tool.

### **⚠ WARNING**

**Read all safety warnings and all instructions.** Failure to follow the warnings and instructions may result in electric shock, fire and/or serious injury.

## How to Use This Manual

- Please read this manual completely before starting to cut with your tool. If you let someone else use the tool, make sure they either read this manual or are fully instructed in the proper use and all safety precautions concerning the tool.
- Please keep this manual for future reference. It contains important safety information that you must follow to use the tool safely.
- This manual and product use the following signal words:

### **NOTE**

Notes provide additional information that you should know about the tool.

### **CAUTION**

Caution indicates a potentially hazardous situation, which could result in minor or moderate injury if not avoided. Cautions also alert you to unsafe practices to be avoided.

### **WARNING**

Warning indicates a potentially hazardous situation, which could result in serious injury or death if not avoided.

### **DANGER**

Danger indicates an imminent hazard which will result in serious injury or death if not avoided.

**Read “the Safety Instructions” booklet and the following before using.**

## II. ADDITIONAL SAFETY RULES

### Safety instructions for all saws

#### **⚠ DANGER**

- 1) **Keep hands away from cutting area and the blade. Keep your second hand on auxiliary handle, or motor housing.** If both hands are holding the saw, they cannot be cut by the blade.
- 2) **Do not reach underneath the workpiece.** The guard cannot protect you from the blade below the workpiece.

- 3) **Adjust the cutting depth to the thickness of the workpiece.** Less than a full tooth of the blade teeth should be visible below the work-piece.
- 4) **Never hold piece being cut in your hands or across your leg. Secure the workpiece to a stable platform.** It is important to support the work properly to minimize body exposure, blade binding, or loss of control.
- 5) **Hold power tool by insulated gripping surfaces when performing an operation where the cutting tool may contact hidden wiring or its own cord.** Contact with a "live" wire will also make exposed metal parts of the power tool "live" and shock the operator.
- 6) **When ripping always use a rip fence or straight edge guide.** This improves the accuracy of cut and reduces the chance of blade binding.
- 7) **Always use blades with correct size and shape (diamond versus round) of arbour holes.** Blades that do not match the mounting hardware of the saw will run eccentrically, causing loss of control.
- 8) **Never use damaged or incorrect blade washers or bolt.** The blade washers and bolt were specially designed for your saw, for optimum performance and safety of operation.

## Further safety instructions for all saws

### Causes and operator prevention of kickback:

- Kickback is a sudden reaction to a pinched, bound or misaligned saw blade, causing an uncontrolled saw to lift up and out of the workpiece toward the operator;
- When the blade is pinched or bound tightly by the kerf closing down, the blade stalls and the motor reaction drives the unit rapidly back toward the operator;
- If the blade becomes twisted or misaligned in the cut, the teeth at the back edge of the blade can dig into the top surface of the wood causing the blade to climb out of the kerf and jump back toward the operator.

Kickback is the result of saw misuse and/or incorrect operating procedures or conditions and can be avoided by taking proper precautions as given below.

- 1) **Maintain a firm grip with both hands on the saw and position your arms to resist kick-back forces. Position your body to**

**either side of the blade, but not in line with the blade.**

Kickback could cause the saw to jump backwards, but kickback forces can be controlled by the operator, if proper precautions are taken.

- 2) **When ripping always use a rip fence or straight edge guide. When interrupting a cut for any reason, release the trigger and hold the saw motionless in the material until the blade comes to a complete stop. Never attempt to remove the saw from the work or pull the saw backward while the blade is in motion or kickback may occur.**

Investigate and take corrective actions to eliminate the cause of blade binding.

- 3) **When restarting a saw in the workpiece, center the saw blade in the kerf and check that saw teeth are not engaged into the material.**

If saw blade is binding, it may walk up or kickback from the workpiece as the saw is restarted.

- 4) **Support large panels to minimize the risk of blade pinching and kickback.**

Large panels tend to sag under their own weight. Supports must be placed under the panel on both sides, near the line of cut and near the edge of the panel.

- 5) **Do not use dull or damaged blades.** Unsharpened or improperly set blades produce narrow kerf causing excessive friction, blade binding and kickback.

- 6) **Blade depth and bevel adjusting locking levers must be tight and secure before making cut.**

If blade adjustment shifts while cutting, it may cause binding and kickback.

- 7) **Use extra caution when making a "plunge cut" into existing walls or other blind areas.**

The protruding blade may cut objects that can cause kickback.

## Safety instructions for this saw

- 1) **Check lower guard for proper closing before each use. Do not operate the saw if lower guard does not move freely and close instantly. Never clamp or tie the lower guard into the open position.**

If saw is accidentally dropped, lower guard may be bent. Raise the lower guard with the retracting handle and make sure it moves freely and does not touch the blade or any other part, in all angles and depths of cut.

- 2) Check the operation of the lower guard spring. If the guard and the spring are not operating properly, they must be serviced before use.

Lower guard may operate sluggishly due to damaged parts, gummy deposits, or a build-up of debris.

- 3) Lower guard should be retracted manually only for special cuts such as “plunge cuts” and “compound cuts.” Raise lower guard by retracting handle and as soon as blade enters the material, the lower guard must be released.

For all other sawing, the lower guard should operate automatically.

- 4) Always observe that the lower guard is covering the blade before placing saw down on bench or floor.

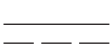


An unprotected, coasting blade will cause the saw to walk backwards, cutting whatever is in its path. Be aware of the time it takes for the blade to stop after switch is released.

- 5) Do not use any abrasive wheels.  
 6) Wear a dust mask, if the work causes dust.  
 7) Use saw blades recommended by Manufacturer.  
 8) Wear ear protectors when using the tool for extended periods.  
 9) The risk of kickback increases as the battery pack discharges.  
 10) Be sure to inspect material. Avoid cutting other different material.  
 11) Be careful not to drop the tool.  
 12) Never swing the tool.  
 13) Never cover the ventilation slots, and keep them free from dust or other material.  
 14) Do not clamp the tool in a vise. Never cut with the tool held upside down in a vise. This is extremely dangerous and can lead to serious accidents.  
 15) Never wear knitted gloves.  
 16) Be sure no one is below when using the tool in high locations.  
 17) Do not touch the blade immediately after operation. It may be hot and could burn your skin.  
 18) Do not touch material after it has been cut. Cut material may be very hot.  
 19) Do not use cutting oil. This use of cutting oil may cause a fire.  
 20) Do not cut workpieces covered or stained with gas, oil, solvents, thinners, etc. Exposure to these materials may damage the transparent guard.

- 21) Do not remove the transparent and lower guards. If the transparent and lower guards is damaged or missing, return tool to authorized service center for replacement.

- 22) Do not start the blade when in contact with workpiece. Wait for blade to reach full speed before beginning cut.

## Symbol

Symbol	Meaning
V	Volts
	Direct current
$n_0$	No load speed
$\dots \text{min}^{-1}$	Revolutions or reciprocations
A	Amperes
	To reduce the risk of injury, user must read and understand instruction manual.
	For indoor use only.

### WARNING

- Do not use other than the Panasonic battery packs that are designed for use with this rechargeable tool.
- Panasonic is not responsible for any damage or accident caused by the use of the recycled battery pack and the counterfeit battery pack.
- Do not dispose of the battery pack in a fire, or expose it to excessive heat.
- Do not drive the likes of nails into the battery pack, subject it to shocks, dismantle it, or attempt to modify it.
- Do not allow metal objects to touch the battery pack terminals.
- Do not carry or store the battery pack in the same container as nails or similar metal objects.
- Do not charge the battery pack in a high-temperature location, such as next to a fire or in direct sunlight. Otherwise, the battery may overheat, catch fire, or explode.



- Never use other than the dedicated charger to charge the battery pack. Otherwise, the battery may leak, overheat, or explode.
- After removing the battery pack from the tool or the charger, always reattach the pack cover. Otherwise, the battery contacts could be shorted, leading to a risk of fire.
- When the Battery Pack Has Deteriorated, Replace It with a New One.  
Continued use of a damaged battery pack may result in heat generation, ignition or battery rupture.

## III. ASSEMBLY

### Attaching or Removing Battery Pack

#### CAUTION:

Before inserting battery pack, check that the power switch in the tool actuates properly and returns to the "OFF" position when released.

1. To connect the battery pack (See Fig. 2)  
Align the highlighted marker points and attach battery pack.
  - Slide the battery pack until it locks into position.

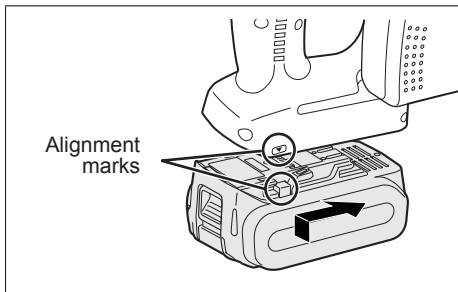


Fig. 2

2. To remove the battery pack (See Fig. 3)  
Push down the button and slide the battery pack forward.

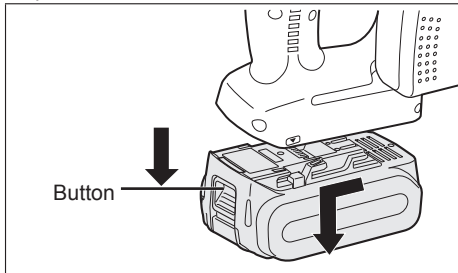


Fig. 3

## IV. OPERATION

### Before Using the Tool

This tool is intended to cut unhardened ferrous metal, nonferrous metal, wood, and plastic. Refer to the "Accessories" section for a list of blades to be used for the proper applications of this tool. The following precautions must be followed to reduce the risk of injury;

- Do not cut stacked materials. Cut one piece at a time.
- Do not cut hardened steel.
- Cut materials with the wider edge of the shoe over the clamped side of the material.
- Do not touch the saw blade, workpiece, or cutting chips with bare hands immediately after cutting; they may be hot and could burn skin.

Each time you use the tool, you must make sure it is in good operating condition.

Use the following checklist:

1. Is the blade installed in the correct direction?  
The arrow on the blade must point in the same direction as the arrow on the upper blade cover.
2. Is the blade installed properly?  
Make sure the hex bolt is tightened securely. (See Fig. 6)
3. Does the blade look alright?  
Replace the blade immediately if there are any cracks in it or if any teeth are broken.
4. Does the lower guard close properly?

#### ⚠ WARNING

To avoid injury, do not use the tool if the lower guard does not close quickly over the blade.

5. Is the transparent guard securely installed?
  6. Is the battery pack charged and inserted firmly to the tool?
  7. Is the depth adjustment nut for cutting securely tightened?
  8. Is the workpiece securely clamped on a saw horse or bench?
  9. Is the dust case or front cover clogged with dust?
  10. Only use the blade rated at higher speed than that of main unit.  
The blade may be damaged if the blade is used under the rated speed of the main unit.
- Disengage the front cover lock button and remove any dust that has become clogged inside the cover. If the cover is clogged, use a long object such as a manual screwdriver to unplug it. After doing so, close the front cover. (See Fig. 4)

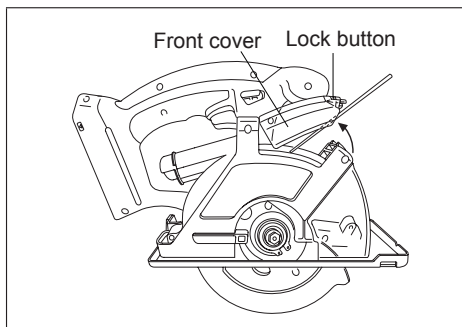


Fig. 4

If there is dust inside the dust case, disengage the dust case lock button, detach the dust case, and remove the dust. After doing so, reattach the dust case. (See Fig. 5)

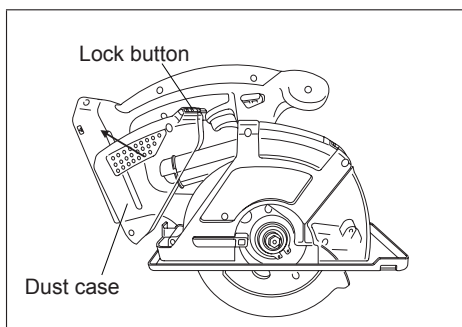


Fig. 5

## Installing Blade

### Follow these steps:

1. Remove the battery pack from the tool.
2. Remove any cutting debris from blade area.
3. Use the retracting handle to retract (open) the lower guard.
4. Install the blade as illustrated. (See Fig. 6) Make sure that both the direction arrow on the blade and the direction arrow on the transparent guard point in the same direction.

5. Set the outer washer in place.
6. Insert the hex bolt.
7. Hold the spindle lock button down. This prevents the blade from rotating.
8. Tighten the hex bolt securely with the provided hex wrench. Store the hex wrench.

### NOTE:

Keep the hex wrench in the storage slot on the tool's body when not using it.

### ⚠ WARNING

Failure to follow these instructions can result in serious personal injury.

## Removing Blade

### CAUTION:

The blade will be hot right after cutting. Be sure to let the blade cool down before removing it.

### Follow these steps:

1. Remove the battery pack from the tool.
2. Hold the spindle lock button down. This prevents the blade from rotating.
3. Use the provided hex wrench to loosen the hex bolt.

### NOTE:

Keep the hex wrench in the storage slot on the tool's body when not using it.

4. Remove the hex bolt and outer washer.
5. Use the retracting handle to retract (open) the lower guard.
6. Carefully remove the blade.
7. Clean the tool if necessary.

### CAUTION:

Be careful to avoid cutting your hands on the blade.

- When disposing of a blade, secure it inside heavy or corrugated paper. This will help prevent anyone from being cut by the discarded blade.

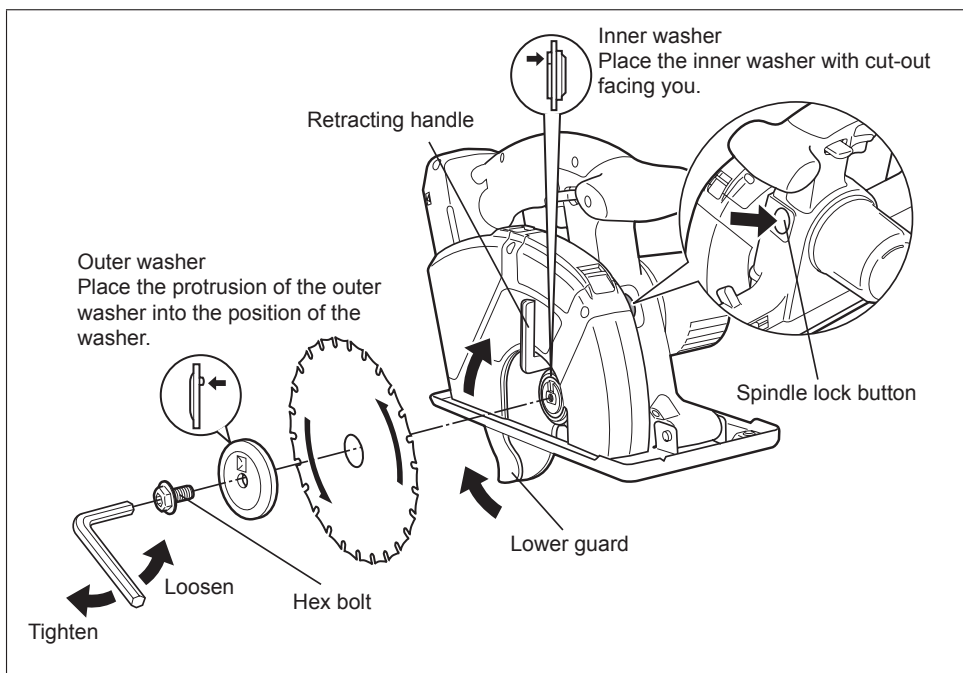


Fig. 6

## Using the Tool

### CAUTION:

To reduce the risk of injury read the Safety Instructions at the front of this manual before using the tool.

### ⚠WARNING

To reduce the risk of injury, wear safety goggles or glasses with side shields while using the tool. Additionally, wear a dust mask when cutting materials that generate excessive particulate matter. Do not use tool in the rain. Doing so may result in electric shock or cause the tool to emit smoke.

Do not cut materials on which there is any paint thinner, gasoline, oil, or similar build-up. Doing so may cause the dust case to crack, resulting in injury.

### Follow these steps:

Hold the tool with both hands. (See Fig. 8) Do not attempt to remove cut material when blade is moving.

1. Line up the sight line on shoe with your cutting line. (See Fig. 7)

### Alignment with cutting line

- Position the notch on the shoe over the cutting line, aligning the top and bottom corners of the diamond-shaped opening with the line.

As the cutting position may differ depending on the blade, do a trial cut beforehand.

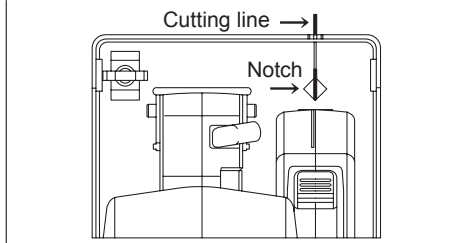


Fig. 7

2. Press the switch lock lever down, then squeeze the power switch to start the motor, and then release the switch lock lever.

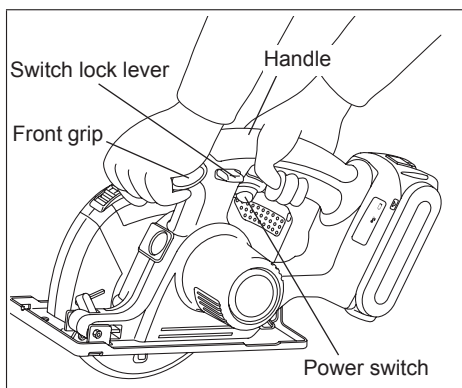


Fig. 8

**CAUTION:**

- Check that the switch lock lever works. If power switch can be activated without depressing the switch lock lever, discontinue use immediately. Take the tool to an authorized service center.
  - Always hold the handle with one hand and the front grip with the other. (See Fig. 8) Maintain a firm grip and depress the switch fully.
  - The blade should not touch the cutting material before you start the motor. Wait until the blade reaches full speed before starting a cut.
  - This tool has no provision to lock the power switch in the "ON" position, and you must not attempt to secure it in the "ON" position.
3. Start cutting when the blade reaches full speed.

**CAUTION:**

- To prevent reaction when starting operation, the blade starts at reduced speed. (Soft start)
4. During cutting, keep your cutting line straight. Move the tool forward at a steady speed, while looking at the tip of the blade through the transparent guard.

**⚠ WARNING**

- To prevent dangerous kickback, keep the shoe of the tool flat on the surface of the material being cut.
- Never force the tool. Use light and continuous pressure.

5. If the motor become too warm, stop cutting. Let the tool cool down before continuing work.
6. It is always a safe practice to remove the battery pack after use and before storing the tool.

## Cutting depth adjustment

- Remove battery pack.
  - Loosen the depth adjustment nut and adjust the cutting depth, using the graduations on the lower guard to gauge the depth. Once finished adjusting the depth, tighten the depth adjustment nut securely.
- \* When wood material is 10 mm (3/8") or less thick, adjust the cutting depth so that the blade protrudes approx. 5 mm (3/16") from the bottom of the material.

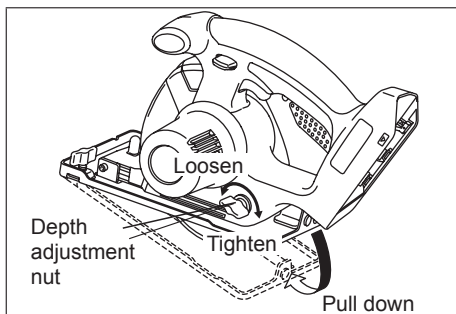


Fig. 9

## Rip fence (EY3500B7727)

(Available as an accessory, not included)

Rip fence is convenient for rip cuts and repeated cuts of uniform width.

- Remove battery pack.
- Insert rip fence and adjust cutting width. (See Fig. 10)
- Fasten screw securely to fix rip fence.

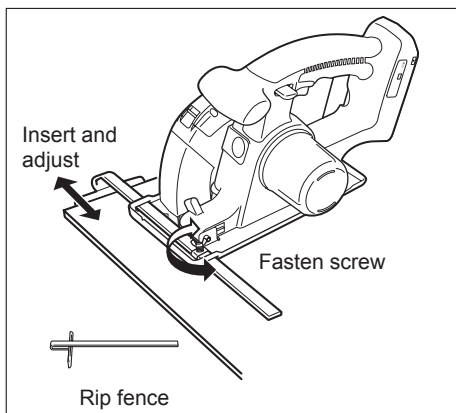


Fig. 10

## Collecting Dust

### ⚠ WARNING

- \* Before cutting metal materials, always empty the dust case, open the front cover and remove the dust.
  - Use the tool with the flammable materials in the dust case to cut metal materials may result in fire.
  - \* When cutting metal materials, always use the tool with the dust case attached.
  - Flying sparks and metal chips may cause injury.
  - \* When cutting metal materials, do not attach a vacuum cleaner.
- Sparks and hot metal chips may cause the vacuum to be caught in fire. Operate the vacuum cleaner in accordance with its instructions.

#### (1) Collect dust in the dust case.

- \* Empty the dust case when it is filled up with dust.
- \* Empty the dust case before storing the tool.
- \* Dust case capacity
  - When cutting electrical conduit with a diameter of 25 mm (1"), approximately 130 cuts
  - When cutting 45 mm (1-25/32") x 45 mm (1-25/32") lumber, approximately 150 cuts

#### NOTE:

Some materials may cause dust to become clogged inside the front cover when cutting those materials.

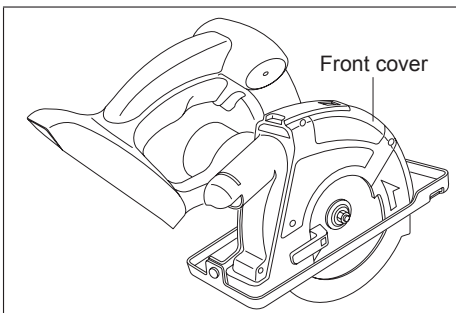


Fig. 11

#### (2) Use with vacuum cleaner to collect dust.

- \* Connect the tool to the hose using the EY9X012E vacuum cleaner hose adapter (sold separately).  
Compatible hose inner diameter: 25 mm (1") to 38 mm (1-2/1")
- \* Operate the vacuum cleaner obeying its instructions.

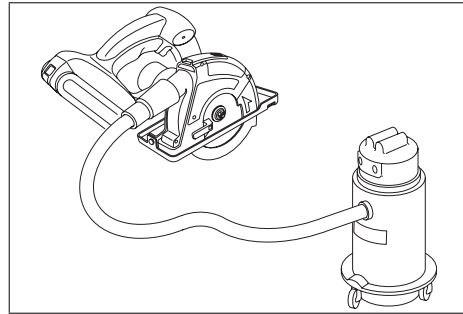


Fig. 12

#### NOTE:

When the tool has difficulty in ejecting or collecting dust, the dust outlet may be clogged with dust. Open the front cover and remove any dust.

## LED light

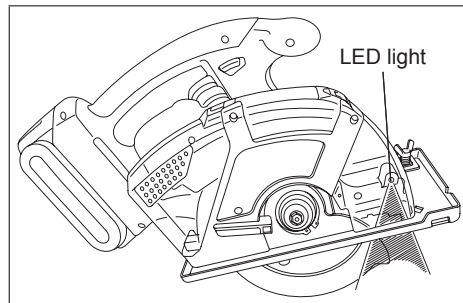


Fig. 13

LED light illuminates when the power switch is depressed and turns off when the power switch is released.

- The light illuminates with very low current, and it does not adversely affect the performance of the tool during use or its battery capacity.

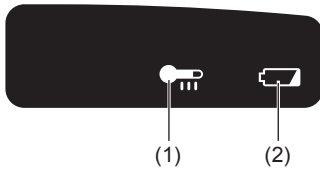
#### CAUTION:

- The built-in LED light is designed to illuminate the small work area temporarily.
- Do not use it as a substitute for a regular flashlight, since it does not have enough brightness.

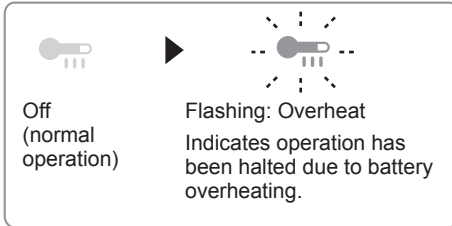
#### Caution : DO NOT STARE INTO BEAM.

Use of controls or adjustments or performance of procedures other than those specified herein may result in hazardous radiation exposure.

## Control Panel



### (1) Overheat warning lamp



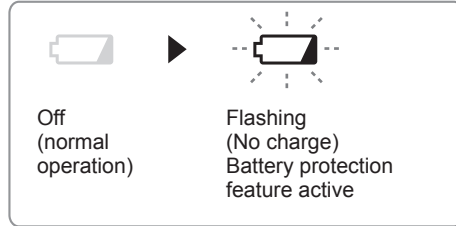
The overheating protection feature halts tool operation to protect the battery pack in the event of overheating. The overheat warning lamp on the control panel flashes when this feature is active.

- If the overheating protection feature activates, allow the tool to cool thoroughly (at least 30 minutes). The tool is ready for use when the overheat warning lamp goes out.
- Avoid using the tool in a way that causes the overheating protection feature to activate repeatedly.
- If the tool is used in cold-temperature conditions (such as during winter) or if it is frequently stopped during use, the overheating protection feature may not activate.

The performance of the EY9L42 de-teriorates significantly at and below 10 °C due to work conditions and other factors.

- The ambient temperature range is between 0 °C (32 °F) and 40 °C (104 °F).  
If the battery pack is used when the battery temperature is below 0 °C (32 °F), the tool may fail to function properly.
- When charging a cool battery pack (below 0 °C (32 °F)) in a warm place, leave the battery pack at the place and wait for more than one hour to warm up the battery to the level of the ambient temperature.

### (2) Battery low warning lamp



Excessive (complete) discharging of lithium ion batteries shortens their service life dramatically. The tool includes a battery protection feature designed to prevent excessive discharging of the battery pack.

- The battery protection feature activates immediately before the battery loses its charge, causing the battery low warning lamp to flash.
- If you notice the battery low warning lamp flashing, charge the battery pack immediately.
- If it is started with too little battery power remaining, the tool may stop operating without the battery low warning lamp flashing first. This indicates that there is too little battery power remaining to use the tool, and the battery pack should be charged before further use.
- If the tool is subject to a sudden load during use that causes the motor to lock up, the over-discharge prevention sensor may be triggered, and the battery low warning lamp may flash. The lamp will stop flashing once you address the cause of the motor's locking up and cycle the trigger.

#### CAUTION:

The over-discharge protection function works even when both the battery low warning lamp and LED light are flashing.

- Charge the battery pack immediately as the battery power is getting low.
- When charging a cool battery pack (below 0 °C (32 °F)) in a warm place, leave the battery pack at the place and wait for more than one hour to warm up the battery to the level of the ambient temperature.
- Weaken and cut off the power applied as the voltage of the battery is plummeting due to the high load acting on the motor. Do not carry out operations that will repeatedly cause the over-discharge prevention function to be activated.

## For Proper Use (Further Detail)

### ⚠WARNING

To prevent the risk of serious personal injury:

- It is important to use an appropriate device to hold the material being cut properly, and to hold the tool firmly with both hands to prevent loss of control which could cause personal injury.

- Figure 14 shows proper cutting position.
- Note that hands are kept away from cutting area.
- Make sure bystanders are away from work area and from underneath of workpiece.
- When cutting, do not try to hold the material with your hand.

### Cutting large sheets;

Support large sheets. Be sure to set the depth of the cut so that you only cut through the workpiece, not through the supports. (See Fig. 15)

Large sheets sag or bend if they are not correctly supported. If you attempt to cut without levelling and properly supporting the workpiece, the blade will tend to bind, causing kickback. (See Fig. 16)

- Don't support the material away from the cut.

### Cutting thin or corrugated materials;

Cut thin and corrugated materials at least 25 mm (1") from the edge of the workpiece to avoid injury or damage to the tool caused by thin strips of metal being pulled into the upper guard.

- Use sharp blades only. Clean and sharp blades minimize stalling and kickback.

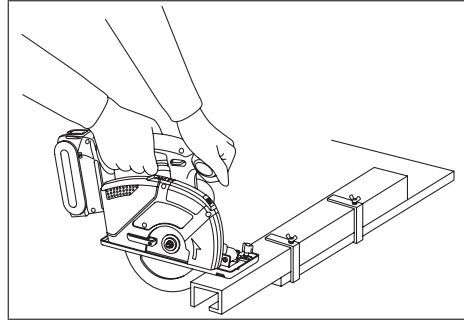


Fig. 14

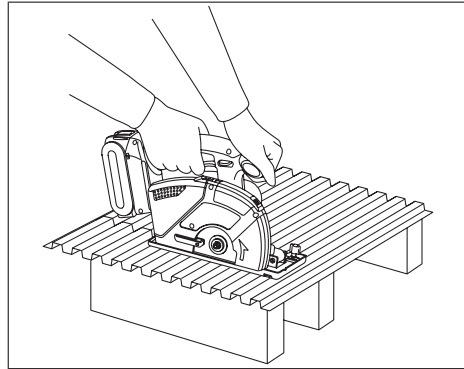


Fig. 15

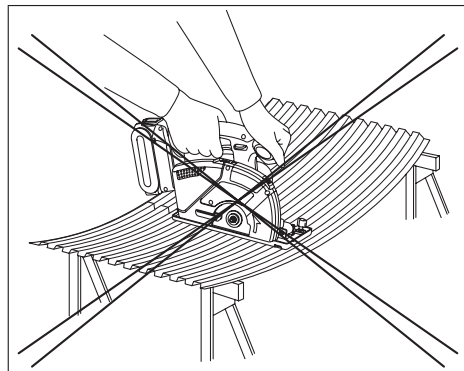


Fig. 16

**⚠WARNING**

To prevent the risk of serious personal injury:

- When making an incomplete cut or cutting is interrupted, or blade is binding or tool is stalling; release the power switch immediately and hold the tool motionless in the material until the blade comes to a complete stop.
- To avoid kickback, never attempt to remove the tool from the work or pull the tool backward while the blade is in motion. Make sure the blade has come to a complete stop, then remove tool from cut.
- To resume cutting, start tool, allow the blade to reach full speed, reenter the cut slowly and resume cutting.

1. Place the wider part of the shoe on the part of the work piece which is solidly supported (See Fig. 17), never on the section that will fall off when the cut is made. (See Fig. 18)  
Hold the tool firmly to prevent loss of control. Working carelessly can cause severe personal injury.

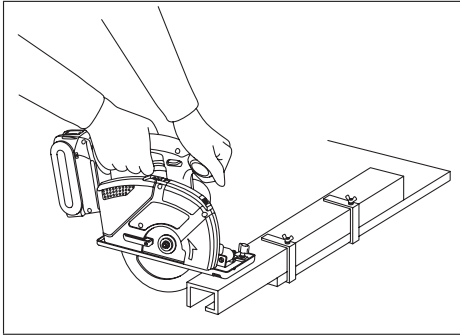


Fig. 17

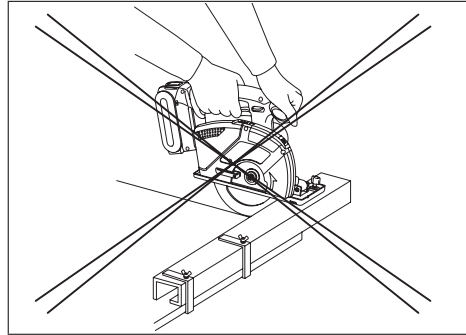


Fig. 18

2. Make sure the blade stops.  
Even though your tool has a brake, before setting the tool down, make sure the blade has come to a complete stop and the lower guard has closed.
3. Do not use if anything seem unusual. Remove battery pack immediately.  
If the tool body becomes very hot, or does not work properly, remove the battery pack and do not use. Have it checked by an authorized service center.

**⚠WARNING**

To prevent the risk of serious personal injury or fire, do not try to repair the tool by yourself. Never disassemble or modify the tool body. There are no user-repairable parts inside.

4. NEVER ALLOW THE TOOL TO COME IN CONTACT WITH YOUR BODY.  
After completing a cut, do not allow the tool to brush against your leg or side.  
Since the lower guard is retractable, it could catch on your clothing and expose the blade. Keep clothing away from tool. Be aware of the exposed blade sections that exist in both the upper and lower guard areas.

**⚠WARNING**

Because cutting metal creates sparks;

- Always use safety goggles.
- Do not use tool near any flammable substance or in an area where flammable substances are used. Fire and burn injury could result.

5. Never engage the spindle lock while blade is running, or engage in an effort to stop the tool. Never turn the switch on when the spindle lock is engaged. Serious damage to your tool will result.



## [Battery Pack]

# For Appropriate Use of Battery Pack

### Li-ion Battery Pack

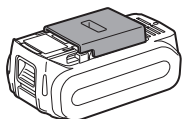
- For optimum battery life, store the Li-ion battery pack following use without charging it.
- When charging the battery pack, confirm that the terminals on the battery charger are free of foreign substances such as dust and water etc. Clean the terminals before charging the battery pack if any foreign substances are found on the terminals.

The life of the battery pack terminals may be affected by foreign substances such as dust and water etc. during operation.

- When battery pack is not in use, keep it away from other metal objects like: paper clips, coins, keys, nails, screws, or other small metal objects that can make a connection from one terminal to another.

Shorting the battery terminals together may cause sparks, burns or a fire.

- When operating the battery pack, make sure the work place is well ventilated.
- When the battery pack is removed from the main body of the tool, replace the battery pack cover immediately in order to prevent dust or dirt from contaminating the battery terminals and causing a short circuit.



### Battery Pack Life

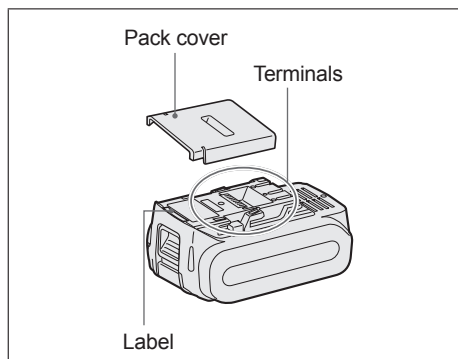
The rechargeable batteries have a limited life. If the operation time becomes extremely short after recharging, replace the battery pack with a new one.

### Battery Recycling

#### ATTENTION:

For environmental protection and recycling of materials, be sure that it is disposed of at an officially assigned location, if there is one in your country.

### Recommendations for use



### Be sure to use the Pack cover

- When the battery pack is not being used, store the battery in a way that foreign substances such as dust and water etc. do not contaminate the terminals. Be sure to attach the battery pack cover to protect the battery terminals.
- When charging the battery pack, confirm that the terminals on the battery charger are free of foreign substances such as dust and water etc. Clean the terminals before charging the battery pack if any foreign substances are found on the terminals.  
The life of the battery pack terminals may be affected by foreign substances such as dust and water etc. during operation.

#### ⚠ CAUTION:

To protect the motor or battery, be sure to note the following when carrying out operation.

- If the battery becomes hot, the protection function will be activated and the battery will stop operating.

The overheat warning lamp on the control panel illuminates or flashes when this feature is active.

### For safe use

- The battery pack is designed to be installed by proceeding two steps for safety. Make sure the battery pack is installed properly to the main unit before use.
- If the battery pack is not connected firmly when the switch is switched on, the overheat warning lamp and the battery low warning lamp will flash to indicate that safe operation is not possible, and the main unit will not rotate normally. Connect the battery pack into the unit of the tool until the red or yellow label disappears.

# [Battery Charger]

## Charging

### CAUTION:

- The charger is designed to operate on standard domestic electrical power only as stated in the rating plate. Charge only on the voltage indicated on the rating plate of unit. e.g.230V / 50Hz.
- Do not attempt to use it on any other voltage or frequency rating!
- If the temperature of the battery pack falls approximately below  $-10\text{ }^{\circ}\text{C}$  ( $14\text{ }^{\circ}\text{F}$ ), charging will automatically stop to prevent degradation of the battery.
- Do not charge the battery pack whose temperature is below  $0\text{ }^{\circ}\text{C}$  ( $32\text{ }^{\circ}\text{F}$ ).
- When charging a cool battery pack (below  $0\text{ }^{\circ}\text{C}$  ( $32\text{ }^{\circ}\text{F}$ )) in a warm place, leave the battery pack at the place and wait for more than one hour to warm up the battery to the level of the ambient temperature. Otherwise battery pack may not be fully charged.
- Cool down the charger when charging more than two battery packs consecutively.
- Do not insert your fingers into contact hole, when holding charger or any other occasions.

### ⚠ CAUTION:

To prevent the risk of fire or damage to the battery charger.

- Do not cover vent holes on the charger and the battery pack.
- Unplug the charger when not in use.

### NOTE:

Your battery pack is not fully charged at the time of purchase. Be sure to charge the battery before use.

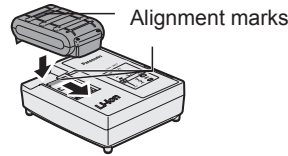
### How to charge

1. Plug the charger into the AC outlet.

### NOTE:

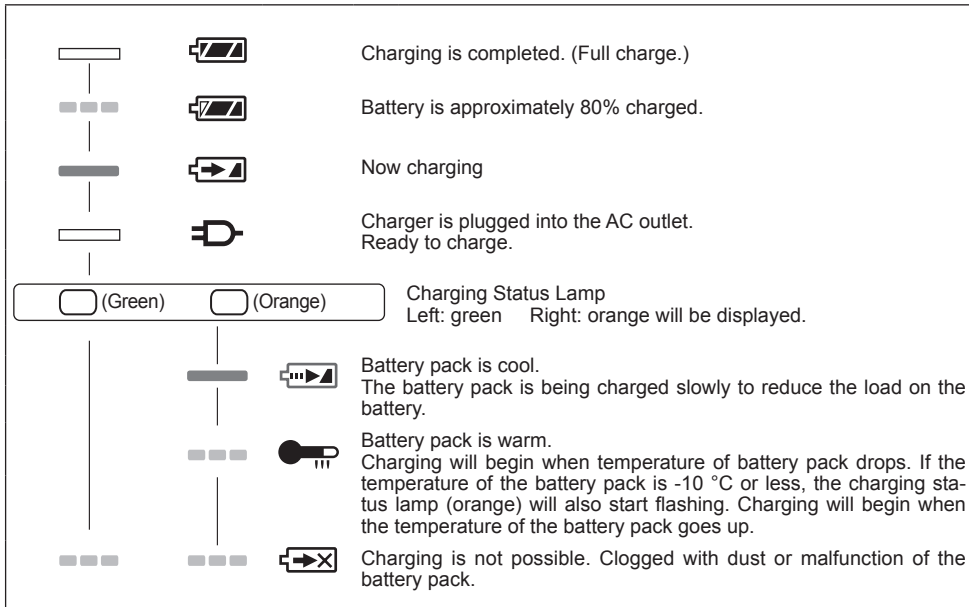
Sparks may be produced when the plug is inserted into the AC power supply, but this is not a problem in terms of safety.

2. Connect the battery pack firmly into the charger.
  - 1 Line up the alignment marks and place the battery onto the dock on the charger.
  - 2 Slide forward in the direction of the arrow.



3. During charging, the charging lamp will be illuminated.  
When charging is completed, an internal electronic switch will automatically be triggered to prevent overcharging.
  - Charging will not start if the battery pack is warm (for example, immediately after heavy-duty operation).  
The orange standby lamp will be flashing until the battery cools down.  
Charging will then begin automatically.
4. The charge lamp (green) will flash slowly once the battery is approximately 80% charged.
5. When charging is completed, the charging lamp in green color will turn off.
6. If the temperature of the battery pack is  $0\text{ }^{\circ}\text{C}$  or less, charging takes longer to fully charge the battery pack than the standard charging time.  
Even when the battery is fully charged, it will have approximately 50% of the power of a fully charged battery at normal operating temperature.
7. Consult an authorized dealer if the charging lamp (green) does not turn off.
8. If a fully charged battery pack is inserted into the charger again, the charging lamp lights up. After several minutes, the charging lamp in green color will turn off.

## Lamp Indications



 Turn off

 Illuminated

 Flashing

## Information for Users on Collection and Disposal of Old Equipment and used Batteries



These symbols on the products, packaging, and/or accompanying documents mean that used electrical and electronic products and batteries should not be mixed with general household waste.



For proper treatment, recovery and recycling of old products and used batteries, please take them to applicable collection points, in accordance with your national legislation and the Directives 2002/96/EC and 2006/66/EC.

By disposing of these products and batteries correctly, you will help to save valuable resources and prevent any potential negative effects on human health and the environment which could otherwise arise from inappropriate waste handling.

For more information about collection and recycling of old products and batteries, please contact your local municipality, your waste disposal service or the point of sale where you purchased the items.

Penalties may be applicable for incorrect disposal of this waste, in accordance with national legislation.

## For business users in the European Union

If you wish to discard electrical and electronic equipment, please contact your dealer or supplier for further information.

## [Information on Disposal in other Countries outside the European Union]

These symbols are only valid in the European Union. If you wish to discard these items, please contact your local authorities or dealer and ask for the correct method of disposal.

## V. MAINTENANCE

### ⚠ WARNING

To avoid severe personal injury, always remove the battery pack from the tool before starting any maintenance procedure.

### CAUTION:

To assure product SAFETY and RELIABILITY, servicing should be performed by an authorized service center. Always insist on genuine Panasonic replacement parts.

## Cleaning Tool

Keep your tool clean for good cutting performance, and to help keep it safe to use.

### Follow these steps:

1. Remove the battery pack from the tool.
2. Wipe the tool with a dry, soft cloth. Do not use a wet cloth or cleaning liquids.  
They could damage the tool's finish.
3. Be sure to rub off any oil or grease which could make the tool slippery or hard to handle.
4. Remove the blade and brush off any dust.

### CAUTION:

- To avoid injury or damage to the unit, never immerse any part of the tool in a liquid.
- In the event that the inside of the tool or battery pack is exposed to water, drain and allow to dry as soon as possible. Carefully remove any dust or iron filings that collect inside the tool. If you experience any problems operating the tool, consult with a repair shop.

## Transparent Guard

### ⚠ WARNING

If the guard is cracked, or is broken, take the tool to an authorized service center for replacement. Do not attempt to operate tool. It could result in serious personal injury.

Never use your tool with a damaged transparent guard or without the transparent guard installed. Flying chips could result in serious injury.

## VI. ACCESSORIES

### ⚠ WARNING

- The use of any accessories not specified in this manual may result in fire, electric shock, or personal injury. Use recommended accessories only.
- Use of a blade on material that is thicker or thinner than that recommended for that blade will result in a rough cut, and could increase the risk of "kickback" or other injury.

### Carbide-tipped Blade for Metal

- EY9PM13E  
For cutting unhardened ferrous material  
Thickness of material  
0.5 mm – 6.0 mm

### Carbide-tipped Blade for Thin Metal (Optional accessory)

- EY9PM13F  
For cutting unhardened thin ferrous thin material that clean cutting edge required  
Thickness of material  
0.5 mm – 6.0 mm

### Carbide-tipped Blade for Wood (Optional accessory)

- EY9PW13C  
For cutting wood in general

### Carbide-tipped Blade for Thin Wood (Optional accessory)

- EY9PW13D  
For cutting thin wood that clean cutting edge required  
Recommended thickness of material up to 12 mm

### Carbide-tipped Blade for Plastic (Optional accessory)

- EY9PP13C  
For cutting plastic  
Recommended thickness of material acrylic and vinyl chloride plates:  
2.0 mm – 5.0 mm  
corrugated pates, pipes  
0.8 mm – 5.0 mm

### Vacuum hose adaptor (Optional accessory)

- EY9X012E

### Rip Fence (Optional accessory)

- EY3500B7727  
For convenience of rip cuts and repeated cut of uniform width

## VII. SPECIFICATIONS

**NOTE:**

Weight indication

Greater than or equal to 1kg : indicated by 0.05kg.

Less than 1kg : indicated by 0.01kg.

### MAIN UNIT

Model No.	EY45A2			
Motor voltage	DC 14.4 V		DC 18 V	
Rated no load speed	3600 rpm (min <sup>-1</sup> )		4500 rpm (min <sup>-1</sup> )	
Blade size	135 mm			
Outside diameter	135 mm			
Arbor size	20 mm			
Maximum cutting depth	0 - 46 mm (Φ135 mm blade)			
Maximum torque	5.4 N•m		6.7 N•m	
Overall length	292 mm (main unit only)			
Weight	2.05 kg (main unit only)			
Battery packs	Li-ion battery packs			
	EY9L42	EY9L44	EY9L45	EY9L50
	DC 14.4 V		DC 18 V	
Noise , Vibration	See the included sheet			

### BATTERY CHARGER

Model No.	EY0L82					
Electrical rating	See the rating plate on the bottom of the charger					
Weight	0.93 kg					
Charging time	Model No.	EY9L42	EY9L44	EY9L45	EY9L50	EY9L51
	Usable	30 min.	40 min.	50 min.	40 min.	55 min.
	Full	35 min.	55 min.	60 min.	55 min.	70 min.

**NOTE:** This chart may include models that are not available in your area.

Please refer to the latest general catalogue.

For the dealer name and address, please see the included warranty card.

## VIII. APPENDIX

### WARRANTY SUPPLEMENT

- The breakdown and damage caused by usage consistent for a long time (e.g.: factory work on the assembly line, etc.) is out of warranty.
- Damage or failure caused by use of accessories that are not specified in this manual will not be covered by warranty.

**ONLY FOR U. K.**



## **ELECTRICAL PLUG INFORMATION**

### **FOR YOUR SAFETY PLEASE READ THE FOLLOWING TEXT CAREFULLY**

This appliance is supplied with a moulded three pin mains plug for your safety and convenience.

A 5 amp fuse is fitted in this plug.

Should the fuse need to be replaced please ensure that the replacement fuse has a rating of 5 amp and that it is approved by ASTA or BSI to BS1362.

Check for the ASTA mark  or the BSI mark  on the body of the fuse.

If the plug contains a removable fuse cover you must ensure that it is refitted when the fuse is replaced.

If you lose the fuse cover the plug must not be used until a replacement cover is obtained.

A replacement fuse cover can be purchased from your local Panasonic Dealer.

IF THE FITTED MOULDED PLUG IS UNSUITABLE FOR THE SOCKET OUTLET IN YOUR HOME THEN THE FUSE SHOULD BE REMOVED AND THE PLUG CUT OFF AND DISPOSED OF SAFELY.

THERE IS A DANGER OF SEVERE ELECTRICAL SHOCK IF THE CUT OFF PLUG IS INSERTED INTO ANY 13 AMP SOCKET.

If a new plug is to be fitted please observe the wiring code as shown below.

If in any doubt please consult a qualified electrician.

### **IMPORTANT:**

The wires in this mains lead are coloured in accordance with the following code:


Blue: Neutral

Brown: Live

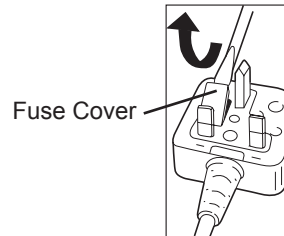
As the colours of the wire in the mains lead of this appliance may not correspond with the coloured markings identifying the terminals in your plug, proceed as follows.

The wire which is coloured BLUE must be connected to the terminal in the plug which is marked with the letter N or coloured BLACK.

The wire which is coloured BROWN must be connected to the terminal in the plug which is marked with the letter L or coloured RED.

Under no circumstances should either of these wires be connected to the earth terminal of the three pin plug, marked with the letter E or the Earth Symbol .

**How to replace the fuse:** Open the fuse compartment with a screwdriver and replace the fuse and fuse cover if it is removable.



This apparatus was produced to BS800.

**Original-Anleitung: Englisch**  
**Übersetzung der Original-Anleitung:**  
**Andere Sprachen**

**Lesen Sie bitte vor der ersten Inbetriebnahme dieses Gerätes das separate Handbuch „Sicherheitsmaßnahmen“ sorgfältig durch.**

## I. EINLEITUNG

Diese Maschine ist eine Mehrzwecksäge. Durch Auswechseln des Sägeblatts kann es zum Schneiden von Holz, Metall und Kunststoff verwendet werden. Staub kann im integrierten Staubgehäuse gesammelt oder über einen angeschlossenen Staubsauger (durch Anschließen des Schlauchs an die Säge) abgesaugt werden.

### **⚠ GEFAHR**

Dieses Produkt ist ein Schneidwerkzeug, das zum Durchschneiden von Metall und Holz ausgelegt ist. Sein rotierendes Blatt kann äußerst tiefe und lebensgefährliche Schnittverletzungen verursachen. Lesen Sie daher unbedingt diese Anleitung und die Vorsichtshinweise auf dem Werkzeug sorgfältig durch, und beachten Sie alle Sicherheitsvorschriften und die zusätzlichen Vorschriften, um solche Verletzungen zu vermeiden.

### **⚠ WARNUNG**

Um Verletzungen zu vermeiden, stecken Sie niemals Ihre Finger oder irgendwelche anderen Gegenstände in eine der Öffnungen der Maschine.

### **⚠ WARNUNG**

**Lesen Sie alle Sicherheitswarnungen und Anweisungen durch.**

Eine Missachtung der unten aufgeführten Warnungen und Anweisungen kann zu einem elektrischen Schlag, Brand und/oder schweren Verletzungen führen.

## Hinweise zu dieser Anleitung

- Bitte lesen Sie diese Anleitung vollständig durch, bevor Sie mit Ihrer Maschine zu schneiden beginnen. Wenn Sie andere Personen die Maschine benutzen lassen, achten Sie darauf, dass sie diese Anleitung lesen oder mit dem korrekten Gebrauch und allen Sicherheitsvorkehrungen bezüglich der Maschine vertraut sind.
- Bitte bewahren Sie diese Anleitung für späteres Nachschlagen auf. Sie enthält wichtige Sicherheitsinformationen, die für den sicheren Gebrauch der Maschine befolgt werden müssen.
- In dieser Anleitung und auf dem Produkt finden Sie folgende Signalwörter:

### **HINWEIS**

Hinweise bieten zusätzliche wissenswerte Informationen über die Maschine.

### **VORSICHT**

Verweist auf potentielle Gefahrensituationen, die bei Missachtung der gegebenen Warnhinweise geringere Verletzungen zur Folge haben können. Solche Textstellen warnen außerdem vor gefährlichen Vorgehensweisen.

### **WARNUNG**

Verweist auf potentielle Gefahren, die bei Missachtung der gegebenen Warnhinweise zu schweren Verletzungen oder Tod führen können.

### **GEFAHR**

Verweist auf eine Gefahr, die bei Missachtung der gegebenen Warnhinweise zu ernststen Verletzungen oder Tod führt.

**Lesen Sie bitte vor der ersten Inbetriebnahme dieses Gerätes das separate Handbuch „Sicherheitsmaßnahmen“ sorgfältig durch.**

## II. WEITERE WICHTIGE SICHERHEITSREGELN

### Spezielle Sicherheitsregeln

#### ⚠ GEFAHR

- 1) **Halten Sie Ihre Hände vom Schnittbereich und Blatt entfernt. Lassen Sie Ihre zweite Hand am Zusatzhandgriff oder am Motorgehäuse.** Wenn Sie die Säge mit beiden Händen führen, können Sie sich nicht mit dem Blatt schneiden.
- 2) **Fassen Sie niemals unter das Werkstück.** Die Abdeckhaube bietet unterhalb des Werkstücks keinen Schutz vor dem Sägeblatt.
- 3) **Stellen Sie die Schnitttiefe auf die Dicke des Werkstücks ein.** Es darf kein ganzer Zahn des Sägeblatts unter dem Werkstück sichtbar sein.
- 4) **Halten Sie niemals das zu schneidende Werkstück in den Händen oder legen es Sie es auf Ihre Beine. Befestigen Sie das Werkstück auf einer stabilen Plattform.** Es ist außerordentlich wichtig, dass das Werkstück einwandfrei abgestützt ist, um Körperteile möglichst wenig in Gefahr zu bringen, sowie ein Festklemmen des Sägeblattes oder Verlust der Kontrolle zu vermeiden.
- 5) **Halten Sie das Elektrowerkzeug an den isolierten Griffflächen, wenn Sie eine Arbeit durchführen, bei der die Gefahr von Kontakt mit verborgenen Kabeln oder dem eigenen Kabel besteht.** Bei Kontakt mit einem stromführenden Kabel werden die freiliegenden Metallteile des Elektrowerkzeugs ebenfalls stromführend, so dass der Benutzer einen elektrischen Schlag erleiden kann.
- 6) **Beim Nutenfräsen muss stets ein Parallelanschlag oder ein Stahllineal als Führung verwendet werden.** Hierdurch wird die Schnittgenauigkeit erhöht und verhindert, dass das Sägeblatt festgeht.
- 7) **Verwenden Sie ausschließlich Blätter, die über die richtige Größe und Form (vielkantig bzw. rund) der Spindelbohrungen verfügen.** Sägeblätter, die nicht einwandfrei auf die Befestigungsbeschläge der Säge passen, laufen exzentrisch und führen zu einem Verlust der Kontrolle über das Werkzeug.

- 8) **Verwenden Sie niemals beschädigte oder falsche Klemmscheiben oder Schrauben.** Die Klemmscheiben und die Schraube wurden speziell für Ihre Säge konstruiert, liefern höchste Leistung und gewährleisten die Sicherheit beim Betrieb.

### Weitere Sicherheitsvorschriften für alle Sägen

#### Ursachen für einen Rückprall und Maßnahmen des Bedienungspersonals zu seiner Verhinderung:

- Ein Rückprall erfolgt, wenn das Sägeblatt plötzlich blockiert wird, festklemmt oder nicht einwandfrei geradlinig ausgerichtet ist, wodurch die Säge außer Kontrolle gerät, nach oben aus dem Werkstück herauspringt und dadurch die Säge zum Benutzer zurückdrückt;
- Wenn das Sägeblatt eingeklemmt wird oder von einem sich schließenden Sägespalt festgehalten wird, bleibt das Sägeblatt stehen und die Motorreaktion treibt das Werkzeug in rascher Bewegung auf den Benutzer zu;
- Wenn das Sägeblatt im Schnitt verkantet oder falsch ausgerichtet ist, kann sich ein Sägezahn an der Hinterkante des Blattes in die Oberfläche des Holzes eingraben, was wiederum dazu führt, dass das Sägeblatt aus dem Sägespalt aufsteigt und zum Benutzer zurückspringt.

Ein Rückprall ist das Ergebnis einer falschen Verwendung des Werkzeuges und/oder falscher Arbeitsverfahren und Bedingungen und kann durch die richtigen Vorsichtsmaßnahmen vermieden werden, die nachfolgend erläutert sind.

- 1) **Halten Sie die Säge mit beiden Händen fest, und positionieren Sie Ihre Arme so, dass Sie Rückprall-Kräfte auffangen können. Stehen Sie entweder links oder rechts vom Sägeblatt, aber nicht in einer Linie mit dem Sägeblatt.**  
Rückprall kann Zurückspringen der Säge verursachen, aber die Rückprall-Kräfte können vom Benutzer kontrolliert werden, wenn vorher hinreichende Sicherheitsvorkehrungen getroffen werden.
- 2) **Wenn das Sägeblatt festklemmen sollte oder wenn Sie einen Schnitt aus irgendeinem Grunde unterbrechen, lassen Sie den Einschalter los und halten die Säge solange bewegungslos im Material, bis das Sägeblatt vollständig zum Stillstand gekommen**



ist. Versuchen Sie niemals, die Säge aus dem Werkstück zu entfernen oder die Säge nach hinten zu ziehen, während sich das Sägeblatt noch dreht, da andernfalls Rückprall auftreten kann.

Prüfen Sie die Ursache für das Festgehen des Sägeblattes und treffen Sie entsprechende Maßnahmen, um diese zu beseitigen.

- 3) **Wenn Sie die Säge in einem Werkstück erneut starten, zentrieren Sie das Sägeblatt sorgfältig im Sägespalt und prüfen Sie, dass die Sägezähne sich nicht in das Material eingegraben haben.**

Ein festgeklebtes Sägeblatt führt dazu, dass das Sägeblatt nach oben aus dem Material heraustritt bzw. Rückprall auftritt, wenn die Säge neu gestartet wird.

- 4) **Unterstützen Sie große Bretter sorgfältig, um die Gefahr des Einklemmens des Sägeblattes und eines Rückpralls so gering wie möglich zu halten.**

Große Bretter haben die Eigenschaft, dass sie sich unter ihrem eigenen Gewicht durchbiegen. Daher muss ein solches Werkstück auf beiden Seiten in der Nähe der Schnittlinie und in der Nähe der Kanten des Bretts sorgfältig unterstützt werden.

- 5) **Verwenden Sie kein stumpfes oder beschädigtes Sägeblatt.**

Nicht hinreichend geschärfte oder falsch befestigte Sägeblätter erzeugen einen sehr engen Schnittspalt, was wiederum zu übermäßiger Reibung, zum Festkleben des Sägeblattes und zum Rückprall führt.

- 6) **Die Arretierhebel für die Blattiefe und Winkeleinstellung müssen vor Durchführung eines Schnitts sorgfältig festgezogen sein.**

Falls sich die Blatteinstellung während des Schnitts verändert, kann dies zum Festkleben und zum Rückprall führen.

- 7) **Lassen Sie besondere Vorsicht walten, wenn Sie einen "Taufschnitt" in vorhandene Wände oder andere Blindflächen durchführen.**

Das herausragende Sägeblatt kann in Gegenstände schneiden, die zu einem RÜCKPRALL führen.

## **Sicherheitsvorschriften für diese Metallsäge**

- 1) **Prüfen Sie vor jedem Gebrauch, ob die untere Schutzvorrichtung einwandfrei geschlossen ist. Setzen Sie die Säge nicht in Betrieb, wenn sich die untere Schutzvor-**

**richtung nicht störungsfrei bewegen lässt und sich sofort schließt. Klemmen oder binden Sie die untere Schutzvorrichtung niemals in der geöffneten Position fest.**

Wird die Säge versehentlich fallen gelassen, kann die Schutzhaube verbogen werden. Heben Sie die Schutzhaube mit dem Rückzughebel an, und vergewissern Sie sich, dass sie sich ungehindert bewegt und bei allen Winkel- und Schnitttiefen-Einstellungen nicht mit dem Sägeblatt oder irgendeinem anderen Teil in Berührung kommt.

- 2) **Prüfen Sie die Funktion der Feder für die untere Schutzvorrichtung. Falls Schutzvorrichtung und Feder nicht einwandfrei arbeiten, müssen sie vor Betrieb des Gerätes gewartet werden.**

Aufgrund von beschädigten Teilen, verklebten Ablagerungen oder Ansammlung von Rückständen kann die untere Schutzvorrichtung möglicherweise nicht einwandfrei arbeiten.

- 3) **Die Schutzhaube sollte nur für spezielle Schnitte, wie „Taufschnitte“ und „Compoundschnitte“, manuell zurückgezogen werden. Heben Sie die Schutzhaube mit dem Rückzughebel an, und sobald das Sägeblatt in das Werkstück eindringt, muss die Schutzhaube losgelassen werden.**

Bei allen anderen Sägearbeiten sollte sich die untere Abdeckhaube automatisch bewegen.

- 4) **Prüfen Sie stets nach, ob die untere Schutzvorrichtung das Sägeblatt vollständig abdeckt, ehe Sie die Säge auf eine Werkbank oder dem Boden ablegen.**



Ein ungeschütztes, sich im Leerlauf drehendes Sägeblatt kann dazu führen, dass sich die Säge selbsttätig rückwärts bewegt und alles zerschneidet, was ihr in den Weg kommt. Machen Sie sich mit dem Zeitraum vertraut, der erforderlich ist, ehe das Sägeblatt nach Loslassen des Schalters zum vollständigen Stillstand kommt.

- 5) **Verwenden Sie keine Trennscheiben.**
- 6) **Tragen Sie eine Staubmaske, falls bei der Arbeit Staub anfällt.**
- 7) **Verwenden Sie vom Hersteller empfohlene Sägeblätter.**
- 8) **Tragen Sie Gehörschützer bei längerer Benutzung des Werkzeugs.**
- 9) **Die Gefahr eines Rückpralls erhöht sich, je weiter sich das Akkupack entlädt.**
- 10) **Überprüfen Sie das Material. Vermeiden Sie anderes Material zu zersägen.**

- 11) Lassen Sie die Maschine nicht fallen.
- 12) Niemals die Maschine umherschwenken.
- 13) Bedecken Sie niemals die Ventilationsschlitze, und halten Sie sie frei von Staub oder einem anderen Material.
- 14) Die Maschine nicht in einen Schraubstock einspannen. Versuchen Sie niemals, die Maschine zum Schneiden verkehrt herum in einen Schraubstock einzuspannen. Dies ist sehr gefährlich und kann zu schweren Unfällen führen.
- 15) Tragen Sie niemals Strickhandschuhe.
- 16) Vergewissern Sie sich bei Einsatz der Maschine an hochgelegenen Arbeitsplätzen, dass sich keine Personen darunter aufhalten.
- 17) Fassen Sie das Blatt nicht sofort nach dem Betrieb an. Es könnte sehr heiß sein und Ihre Haut verbrennen.
- 18) Berühren Sie das Material nicht nach dem Schneiden, da es noch sehr heiß sein kann.
- 19) Verwenden Sie kein Schneidöl. Der Gebrauch von Schneidöl kann einen Brand verursachen.
- 20) Schneiden Sie keine Werkstücke, die mit Gas, Öl, Lösungsmittel, Verdünnern usw. bedeckt oder behaftet sind.  
Die Einwirkung solcher Substanzen kann zu einer Beschädigung der Klarsichthaube führen.
- 21) Die Klarsichthaube darf nicht entfernt werden. Sollte die Klarsichthaube beschädigt werden oder verloren gehen, lassen Sie sie von einer autorisierten Kundendienststelle ersetzen.
- 22) Schalten Sie das Werkzeug nicht ein, wenn das Sägeblatt mit dem Werkstück in Kontakt ist. Warten Sie, bis das Sägeblatt die volle Drehzahl erreicht, bevor Sie mit dem Schnitt beginnen.

## Symbol

Symbol	Bedeutung
V	Spannung (in Volt)
— — — — — — — — — —	Gleichstrom
$n_0$	Drehzahl ohne Last
$\dots \text{ min}^{-1}$	Dreh- oder Hubzahl pro Minute

A	Ampere
	Zur Verminderung der Verletzungsgefahr muss die Bedienungsanleitung gründlich gelesen werden.
	Nur für Inneneinsatz.

### **WARNUNG**

- Verwenden Sie nur die Panasonic-Akkus, die für den Einsatz mit dieser Akku-Maschine ausgelegt sind.
- Panasonic übernimmt keine Verantwortung für etwaige Schäden oder Unfälle, die durch den Gebrauch von recycelten und gefälschten Akkus verursacht werden.
- Werfen Sie den Akku nicht ins Feuer, und setzen Sie ihn auch keiner übermäßigen Wärme aus.
- Unterlassen Sie das Einschlagen von Nägeln in den Akku sowie Erschüttern, Zerlegen oder Abändern des Akkus.
- Achten Sie darauf, dass keine Metallgegenstände mit den Kontakten des Akkus in Berührung kommen.
- Unterlassen Sie das Tragen oder Aufbewahren des Akkus zusammen mit Nägeln oder ähnlichen Metallgegenständen im selben Behälter.
- Laden Sie den Akku nicht an einem heißen Ort, wie z. B. in der Nähe eines Feuers oder in direktem Sonnenlicht. Anderenfalls kann der Akku überhitzen, Feuer fangen oder explodieren.
- Verwenden Sie nur das zugehörige Ladegerät zum Laden des Akkus. Anderenfalls kann der Akku auslaufen, überhitzen oder explodieren.
- Nachdem Sie den Akku von der Maschine oder dem Ladegerät abgenommen haben, bringen Sie stets die Akkuabdeckung wieder an. Anderenfalls könnten die Akkukontakte kurzgeschlossen werden, was zu einem Brand führen kann.
- Wenn der Akku schwach geworden ist, ersetzen Sie ihn durch einen neuen. Fortgesetzter Gebrauch eines beschädigten Akkus kann zu Wärmeerzeugung, Entzündung oder Bruch führen.

## III. BAUGRUPPE

### Anbringen oder Abnehmen des Akkus

#### VORSICHT:

Vergewissern Sie sich vor dem Einsetzen des Akkus, dass der Ein-Aus-Schalter der Maschine einwandfrei funktioniert und beim Loslassen zur Position „OFF“ zurückkehrt.

1. Zum Anschließen des Akkus (Siehe Abb. 2)  
Die Ausrichtmarkierungen aufeinander ausrichten, und den Akku anbringen.
  - Den Akku einschieben, bis er einrastet.

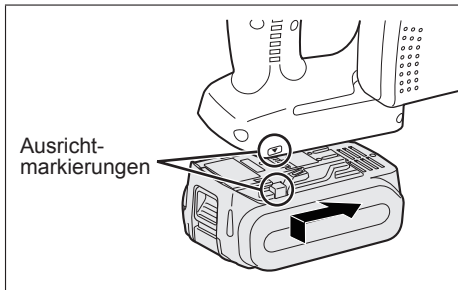


Abb. 2

2. Zum Entfernen des Akkus (Siehe Abb. 3)  
Den Knopf nach unten drücken und den Akku nach vor schieben.

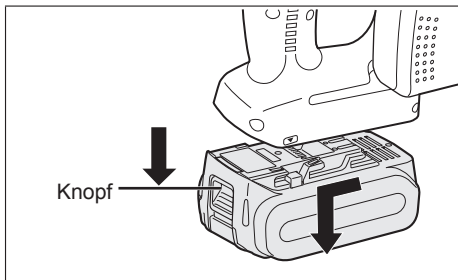


Abb. 3

## IV. BETRIEB

### Vor der Benutzung der Maschine

Diese Maschine ist zum Schneiden von ungehärtetem Eisenmetall, Nichteisenmetall, Holz und Kunststoff vorgesehen. Im Abschnitt „Zubehör“ finden Sie eine Liste von Sägeblättern, die für die jeweiligen Anwendungen dieses Werkzeugs zu benutzen sind. Um die Verletzungsgefahr zu verringern, müssen die folgenden Vorsichtsmaßnahmen befolgt werden.

- Schneiden Sie keine gestapelten Materialien. Schneiden Sie nur jeweils ein Werkstück.
- Schneiden Sie keinen gehärteten Stahl.
- Setzen Sie beim Schneiden die breitere Fläche des Gleitschuhs auf die eingespannte Seite des Materials.
- Berühren Sie Sägeblatt, Werkstück oder Späne unmittelbar nach dem Schneiden nicht mit bloßen Händen, weil diese Teile dann noch heiß sind und Hautverbrennungen verursachen können.

Vergewissern Sie sich vor jeder Benutzung der Maschine, dass sie in gutem Betriebszustand ist.

Verwenden Sie die folgende Checkliste:

1. Ist das Sägeblatt korrekt ausgerichtet?  
Der Pfeil des Sägeblatts muss in die gleiche Richtung wie der Pfeil auf der oberen Sägeblattabdeckung zeigen.
2. Ist das Blatt richtig aufgespannt?  
Darauf achten, dass die Imbusschraube korrekt festgezogen ist. (Siehe Abb. 6.)
3. Ist das Blatt in gutem Zustand?  
Bei Mängeln wie Rissen oder fehlenden Zähnen das Blatt umgehend auswechseln.
4. Schließt sich die untere Schutzvorrichtung einwandfrei?

#### ⚠ WARNUNG

Um Verletzungen zu vermeiden, benutzen Sie die Maschine nicht, wenn sich die Schutzhaube nicht rasch über dem Sägeblatt schließt.

5. Ist die Klarsichthaube sicher installiert?
6. Ist der Akku geladen und fest in die Maschine eingesetzt?
7. Ist die Schnitthiefeneinstellmutter einwandfrei angezogen?
8. Ist das Werkstück auf einem Sägebock oder einer Werkbank sicher eingespannt?
9. Ist das Staubgehäuse oder die Frontabdeckung mit Staub zugesetzt?
10. Verwenden Sie ausschließlich ein Blatt, das für höhere Drehzahlen als die des Hauptgeräts ausgelegt ist.  
Die Verwendung eines auf eine geringere Drehzahl als das Hauptgerät ausgelegten Blatts kann eine Beschädigung des Blatts zur Folge haben.

Rasten Sie den Frontabdeckungs-Arretierknopf aus, und entfernen Sie etwaigen Staub, der sich in der Abdeckung angesammelt hat. Falls die Abdeckung zugesetzt ist, benutzen Sie einen langen Gegenstand, wie z. B. einen Schraubenzieher, um den Staub zu entfernen. Schließen Sie danach die Frontabdeckung wieder. (Siehe Abb. 4)

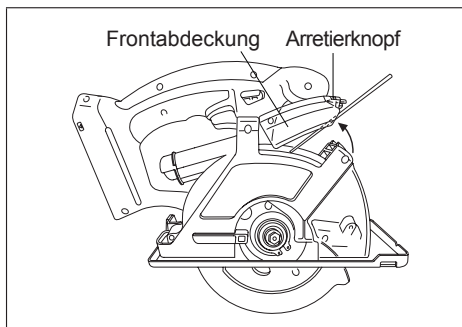


Abb. 4

Falls sich Staub im Staubgehäuse befindet, rasten Sie den Arretierknopf aus, nehmen Sie das Staubgehäuse ab, und entfernen Sie den Staub. Bringen Sie danach das Staubgehäuse wieder an. (Siehe Abb. 5)

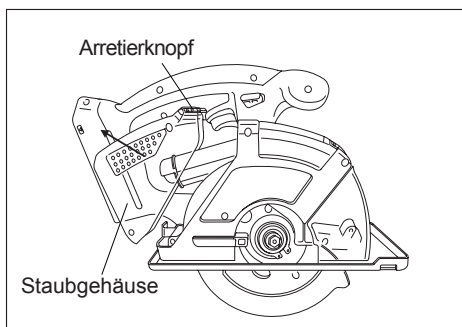


Abb. 5

## Anbringen des Blatts

### Folgende Schritte befolgen:

1. Nehmen Sie den Akku von der Maschine ab.
2. Säubern Sie den Sägeblattbereich von jeglichen Schneidrückständen.
3. Benutzen Sie den Rückzughebel, um die Schutzhaube zurückzuziehen (zu öffnen).
4. Das Blatt entsprechend der obigen Darstellung anbringen. (Siehe Abb. 6.) Achten Sie darauf, dass die Pfeile auf Blatt und Klarsichthaube in die gleiche Richtung weisen.

5. Setzen Sie die äußere Klemmscheibe auf.
6. Drehen Sie die Schraube in die Welle.
7. Drücken Sie den Arretierknopf, um Blatt und Welle zu arretieren.
8. Ziehen Sie die Schraube mit dem Inbusschlüssel fest.

### HINWEIS:

Bewahren Sie den Inbusschlüssel nach dem Gebrauch im Schlüsseldepot der Metallsäge auf.

### ⚠ WARNUNG

Eine Missachtung dieser Anweisungen kann zu ernsthaften Verletzungen führen.

## Abnehmen des Blatts

### VORSICHT:

Das Blatt ist nach einem Schnitt sehr heiß. Daher vor dem Abmontieren das Blatt abkühlen lassen.

### Folgende Schritte befolgen:

1. Nehmen Sie den Akku von der Maschine ab.
2. Halten Sie den Spindelarretierknopf gedrückt. Dadurch ist das Blatt arretiert.
3. Die Innensechskantschraube mit dem beiliegenden Inbusschlüssel lösen.

### HINWEIS:

Bewahren Sie den Inbusschlüssel bei Nichtbenutzung im Staufach am Sägegehäuse auf.

4. Entfernen Sie die Sechskantschraube und die Außenscheibe.
5. Benutzen Sie den Rückzughebel, um die Schutzhaube zurückzuziehen (zu öffnen).
6. Entfernen Sie das Sägeblatt vorsichtig.
7. Reinigen Sie die Maschine nötigenfalls.

### VORSICHT:

Gehen Sie mit dem Blatt vorsichtig um, um Schnittverletzungen zu vermeiden.

- Vor dem Wegwerfen das Blatt in Pappe o.ä. verpacken. Dadurch wird verhindert, daß sich Dritte an dem Blatt verletzen können.

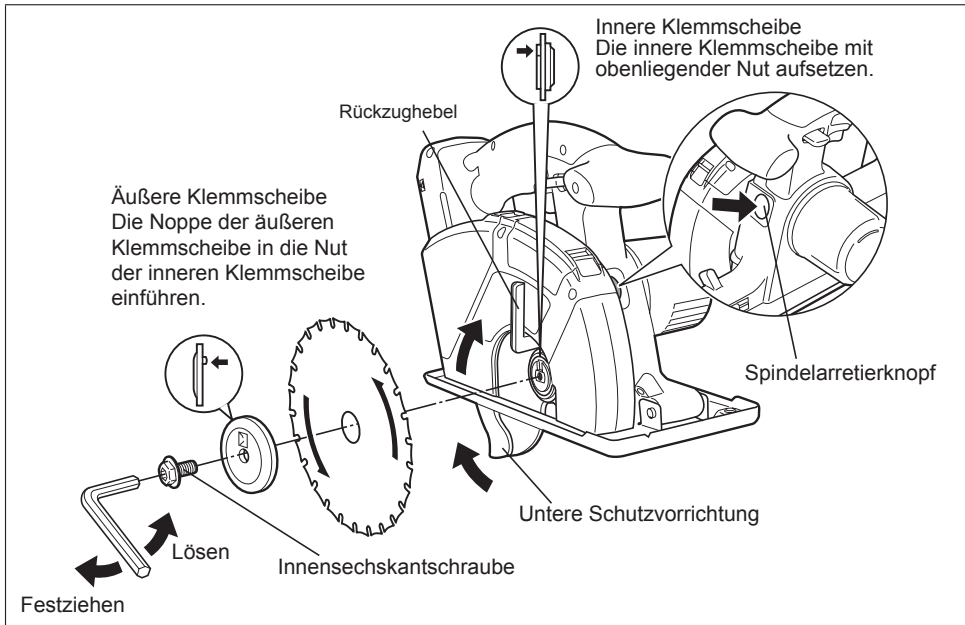


Abb. 6

## Benutzung der Maschine

### VORSICHT:

Um die Verletzungsgefahr zu verringern, lesen Sie die Sicherheitsvorschriften am Anfang dieser Anleitung durch, bevor Sie die Maschine benutzen.

### ⚠️ WARNUNG

Um die Verletzungsgefahr zu verringern, tragen Sie eine Schutzbrille oder eine Brille mit Seitenschützern während der Benutzung der Säge. Tragen Sie zusätzlich eine Staubmaske, wenn Sie Material schneiden, das eine große Menge an Feinstaub erzeugt. Benutzen Sie die Säge nicht bei Regen. Andernfalls kann es zu einem elektrischen Schlag oder Raucherzeugung der Säge kommen.

Schneiden Sie kein Material, das mit Lackverdünner, Benzin, Öl oder einem ähnlichen Stoff überzogen ist. Andernfalls können sich Risse im Staubgehäuse bilden, die zu Verletzungen führen können.

### Führen Sie diese Schritte aus:

Halten Sie die Maschine mit beiden Händen fest. (Siehe Abb. 8) Versuchen Sie nicht, abgeschnittenes Material bei rotierendem Sägeblatt zu entfernen.

1. Richten Sie die Visierlinie am Gleitschuh auf Ihre Schnittlinie aus. (Siehe Abb. 7.)

### Ausrichtung auf die Schnittlinie

- Positionieren Sie die Kerbe im Führungsschuh über der Schnittlinie, wobei Sie die obere und untere Ecke der rautenförmigen Öffnung auf die Linie ausrichten.

Da die Schnittposition je nach Sägeblatt unterschiedlich sein kann, führen Sie vorher einen Probeschnitt durch.

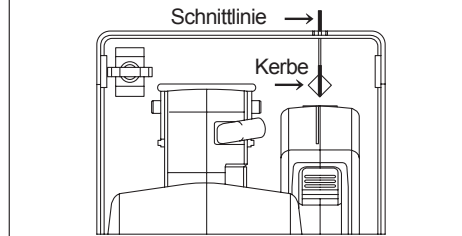


Abb. 7

2. Drücken Sie den Schalterverriegelungshebel nach unten und betätigen Sie dann den Druckschalter, um den Motor zu starten, und lassen Sie dann den Schalterverriegelungshebel los.

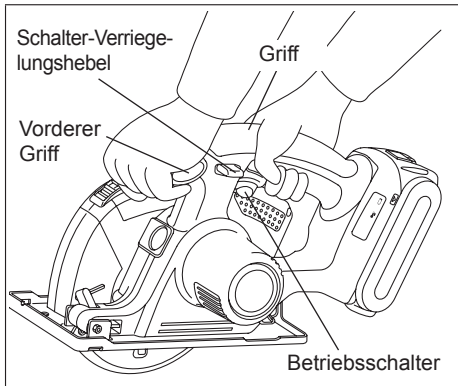


Abb. 8

#### VORSICHT:

- Die Funktion des Schalter-Verriegelungshebels prüfen. Sollte sich der Betriebsschalter ohne Drücken des Schalter-Verriegelungshebels betätigen lassen, das Gerät keinesfalls benutzen. Das Werkzeug vom Vertragskundendienst reparieren lassen.
  - Die Säge stets am vorderen und hinteren Griff gleichzeitig fassen. (Siehe Abb. 8.) Halten Sie die Säge gut fest und drücken Sie den Schalter.
  - Das Blatt sollte nicht vor Einschalten des Motors am Werkstück angesetzt werden. Warten Sie mit dem Schneiden, bis das Blatt die volle Drehzahl erreicht hat.
  - Dieses Werkzeug besitzt aus Sicherheitsgründen keine Vorrichtung, um den Netzschalter in der „ON“ Position zu arretieren. Versuchen Sie nicht, den Schalter in gedrückter Stellung festzuklemmen.
3. Beginnen Sie den Schnitt, nachdem das Blatt die volle Drehzahl erreicht hat.

#### VORSICHT:

- Um einen Rückstoß bei Betriebsstart zu vermeiden, läuft das Blatt mit verringerter Geschwindigkeit an (Softstart).
4. Halten Sie die Schnittlinie beim Sägen gerade. Schieben Sie die Maschine mit gleichmäßiger Geschwindigkeit vor, während Sie durch die transparente Schutzhaube auf die Spitze des Sägeblatts blicken.

#### ⚠ WARNUNG

- Um gefährliche Rückschläge zu verhüten, halten Sie den Führungsschuh der Maschine flach auf der Oberfläche des zu schneidenden Materials.
- Niemals gewaltsam auf die Maschine drücken. Üben Sie leichten und kontinuierlichen Druck aus.

5. Falls sich der Motor zu heiß anfühlt, stellen Sie den Schnittbetrieb ein. Lassen Sie die Maschine abkühlen, bevor Sie die Arbeit fortsetzen.
6. Machen Sie es sich stets zur Gewohnheit, den Akku nach dem Gebrauch und vor der Lagerung der Maschine zur Sicherheit abzunehmen.

## Einstellen der Schnitttiefe

- Nehmen Sie das Akkupack ab.
  - Lösen Sie die Tiefeneinstellmutter, und stellen Sie die Schnitttiefe mithilfe der Skala an der Schutzhaube ein. Nachdem Sie die Tiefe eingestellt haben, ziehen Sie die Tiefeneinstellmutter wieder fest.
- \* Um Holz von maximal 10 mm (3/8") Dicke zu schneiden, stellen Sie die Schnitttiefe so ein, dass das Sägeblatt um ca. 5 mm (3/16") von der Unterseite des Materials übersteht.

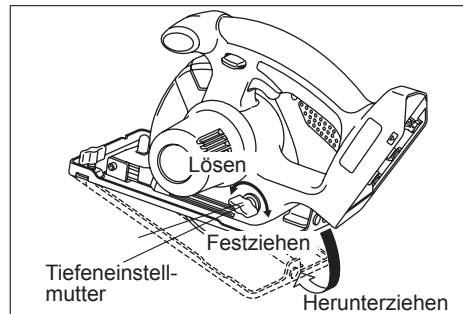


Abb. 9

## Parallelanschlag (EY3500B7727)

(Als Sonderzubehör erhältlich, nicht mitgeliefert.) Ein Parallelanschlag ist praktisch, wenn Sie Nuten fräsen oder wiederholt Schnitte der gleichen Breite ausführen.

- Nehmen Sie den Akku ab.
- Schieben Sie den Parallelanschlag ein, und stellen Sie die Schnittbreite ein. (Siehe Abb. 10.)
- Ziehen Sie die Schraube fest an, um den Parallelanschlag zu sichern.

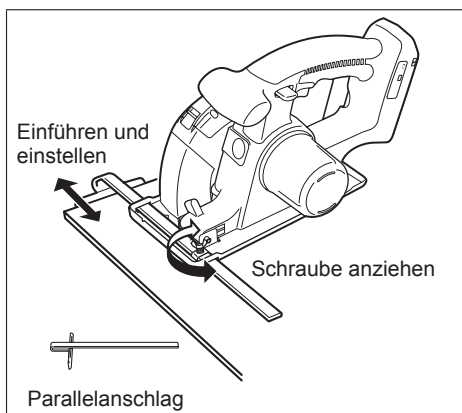


Abb. 10

## Staub sammeln

### ⚠️ WARNUNG

- \* Bevor Sie Metallmaterial schneiden, entleeren Sie stets das Staubgehäuse, und öffnen Sie die Frontabdeckung, um den Staub zu entfernen.
  - Wird die Säge mit brennbarem Material im Staubgehäuse benutzt, um Metallmaterial zu schneiden, kann es zu einem Brand kommen.
- \* Wenn Sie Metallmaterial schneiden, benutzen Sie die Säge stets mit angebrachtem Staubgehäuse.
  - Funkenflug und Metallspäne können Verletzungen verursachen.
- \* Wenn Sie Metallmaterial schneiden, schließen Sie keinen Staubsauger an.
  - Funken und heiße Metallspäne können dazu führen, dass der Staubsauger in Brand gerät. Betreiben Sie den Staubsauger gemäß seiner Gebrauchsanleitung.

### (1) Sammeln Sie Staub im Staubgehäuse.

- \* Entleeren Sie das Staubgehäuse, wenn es mit Staub gefüllt ist.
- \* Entleeren Sie das Staubgehäuse vor der Lagerung der Säge.
- \* Staubgehäusekapazität
  - Beim Schneiden von Stromleitungsrohren mit einem Durchmesser von 25 mm (1"), ca. 130 Schnitte
  - Beim Schneiden von 45 mm (1-25/32") × 45 mm (1-25/32") Bauholz, ca. 150 Schnitte

### HINWEIS:

Die typischen physischen Eigenschaften mancher Materialien können beim Schneiden dazu führen, dass sich Staub in der Frontabdeckung ansammelt.

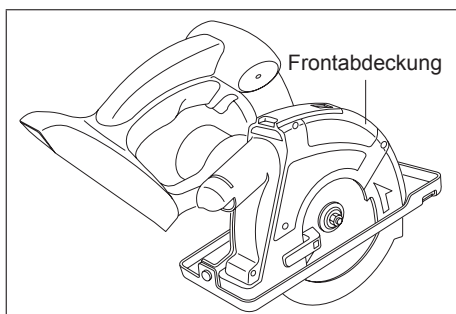


Abb. 11

### (2) Einsatz mit Staubsauger zum Absaugen von Staub.

- \* Schließen Sie den Schlauch mit dem Staubsauger-Schlauchadapter EY9X012E (getrennt erhältlich) an die Säge an. Kompatibler Schlauchinnendurchmesser: 25 mm (1") bis 38 mm (1-2/1")
- \* Betreiben Sie den Staubsauger gemäß seiner Gebrauchsanleitung.

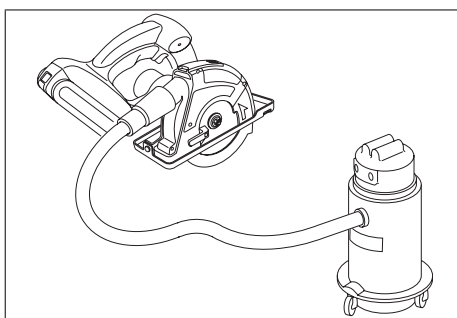


Abb. 12

### HINWEIS:

Wenn die Säge Schwierigkeiten hat, Staub auszuwerfen oder zu sammeln, die Auslassöffnung der Säge ist möglicherweise mit Staub zugesezt. Öffnen Sie die Frontabdeckung, und entfernen Sie jeglichen Staub.

## LED-Leuchte

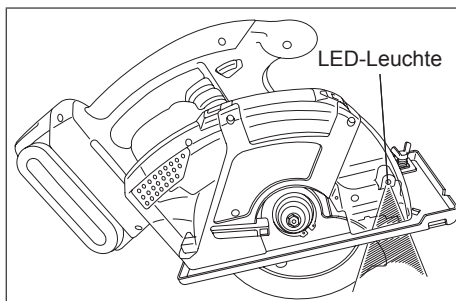


Abb. 13

Die LED-Leuchte leuchtet auf, wenn der Betriebsschalter gedrückt wird und erlischt, wenn der Betriebsschalter wieder losgelassen wird.

- Die Leuchte benötigt nur sehr wenig Strom und beeinträchtigt nicht die Leistung der Maschine oder die Akkukapazität während der Benutzung.

**VORSICHT:**

- Die eingebaute LED dient zur vorübergehenden Beleuchtung des kleinen Arbeitsbereichs.
- Benutzen Sie sie nicht als Ersatz für eine reguläre Taschenlampe, weil sie nicht hell genug ist.

**Vorsicht: SEHEN SIE NICHT IN DEN STRAHL.**

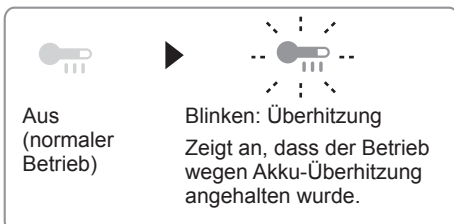
Die Benutzung von Bedienelementen oder Einstellungen, oder die Durchführung von Vorgängen, die hier nicht beschrieben sind, kann zu gefährlicher Strahlungsfreisetzung führen.

## Bedienfeld



(1) (2) (3)

### (1) Überhitzungs-Warnlampe



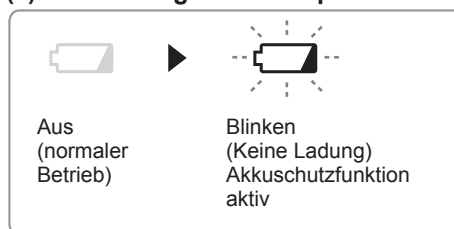
Die Überhitzungsschutzfunktion hält den Maschinenbetrieb an, um den Akku im Falle einer Überhitzung zu schützen. Die Überhitzungswarnlampe am Bedienfeld blinkt, wenn diese Funktion aktiv ist.

- Falls die Überhitzungsschutzfunktion aktiviert wird, lassen Sie die Maschine gründlich abkühlen (mindestens 30 Minuten). Die Maschine ist wieder einsatzbereit, wenn die Überhitzungswarnlampe erlischt.
- Vermeiden Sie die Benutzung der Maschine in einer Weise, die wiederholte Aktivierung der Überhitzungsschutzfunktion verursacht.
- Falls das Werkzeug bei niedriger Umgebungstemperatur im Winter oder jeweils nur kurzzeitig verwendet wird, spricht die Überhitzungs-Schutzfunktion nicht an.

Infolge der Arbeitsbedingungen und anderer Faktoren nimmt die Leistung des EY9L42 bei einer Temperatur von 10 °C und darunter stark ab.

- Der Umgebungstemperaturbereich liegt zwischen 0 °C und 40 °C. Wenn der Akku bei einer Akkutemperatur unter 0 °C benutzt wird, funktioniert die Maschine möglicherweise nicht einwandfrei.
- Wenn ein kalter Akku (von etwa 0 °C oder weniger) in einem warmen Raum aufgeladen werden soll, lassen Sie den Akku für mindestens eine Stunde in dem Raum und laden Sie ihn auf, wenn er sich auf Raumtemperatur erwärmt hat.

### (2) Akkuladungs-Warnlampe



Übermäßiges (vollständiges) Entladen von Lithium-Ionen-Akkus verkürzt deren Lebensdauer beträchtlich. Die Maschine besitzt eine Akkuschutzfunktion, die übermäßiges Entladen des Akkus verhindert.

- Die Akkuschutzfunktion wird unmittelbar vor der Erschöpfung des Akkus aktiviert und bewirkt Blinken der Akkuladungs-Warnlampe.
- Wenn Sie bemerken, dass die Akkuladungs-Warnlampe blinkt, laden Sie den Akku unverzüglich auf.
- Wird die Maschine bei zu geringer Akku-Restladung gestartet, kann sie stehen bleiben, ohne dass zuvor die Akkuladungs-Warnlampe blinkt. Dies zeigt an, dass zu wenig Akku-Restladung für den Betrieb der Maschine vorhanden ist. Daher sollte der Akku vor weiterem Gebrauch aufgeladen werden.
- Wird die Maschine während des Betriebs einer plötzlichen Last ausgesetzt, die Blockieren des Motors verursacht, kann der Tiefentladungsschutzsensor ausgelöst werden, so dass eventuell die Akkuladungs-Warnlampe blinkt. Die Lampe hört auf zu blinken, sobald die Ursache der Motorblockierung behoben und der Auslöser betätigt wird.



### **⚠ VORSICHT:**

Die Tiefentladungs-Schutzfunktion funktioniert, selbst wenn sowohl die Akkuladungs-Warnlampe als auch die LED-Leuchte blinken.

- Laden Sie das Akkupack unverzüglich wieder auf, da die Akku-Restladung gering ist.
- Lassen Sie, wenn Sie ein kaltes Akkupack (unter 0 °C (32 °F)) an einem warmen Ort aufladen möchten, das Akkupack an diesem Ort mindestens eine Stunde liegen, bis es sich auf Umgebungstemperatur erwärmt hat.
- Verringern Sie die aufgewendete Kraft oder stellen Sie sie ein, da die Akkuspannung durch die hohe, auf den Motor einwirkende Last rapide abnimmt. Führen Sie keine Tätigkeiten durch, die zur wiederholten Aktivierung der Tiefentladungs-Schutzfunktion führen.

## **Hinweise zur Korrekten Verwendung (Weitere Einzelheiten)**

### **⚠ WARNUNG**

Zur Verhütung ernsthafter Verletzungen:

- Es ist wichtig, das zu schneidende Material mit einer geeigneten Vorrichtung sicher einzuspannen und die Säge mit beiden Händen festzuhalten, um einen Verlust der Kontrolle mit daraus resultierenden Verletzungen zu vermeiden.
- Abbildung 14 zeigt die korrekte Stellung zum Schneiden.
- Hände vom Schnittbereich fernhalten.
- Vergewissern Sie sich, dass sich keine Personen im Arbeitsbereich und unterhalb des Werkstücks aufhalten.
- Beim Schneiden niemals das Werkstück fassen oder halten.

### **Schneiden großer Bleche:**

Stellen Sie die Schnitttiefe so ein, dass die Unterlage nicht beschädigt wird. (Siehe Abb. 15.) Große Bleche hängen durch oder verbiegen sich, wenn sie nicht korrekt abgestützt werden. Falls Sie versuchen, das Werkstück ohne korrekte Planlage und Abstützung zu schneiden, neigt das Sägeblatt zum Klemmen, wodurch Rückprall verursacht wird. (Siehe Abb. 16.)

- Werkstücke nach Möglichkeit stets auf beiden Seiten der Schnittlinie in deren Nähe abstützen.

### **Schneiden von dünnen oder gewellten Materialien:**

Führen Sie Schnitte in dünnen und gewellten Materialien in einem Abstand von mindestens 25 mm (1") von der Werkstückkante aus, um Verletzungen oder Beschädigung des Werkzeugs durch in die obere Abdeckhaube gezogene schmale Metallstreifen zu vermeiden.

- Nur scharfe Blätter verwenden. Bei scharfen Blättern besteht weniger die Gefahr von Verkleben oder Rückprall.

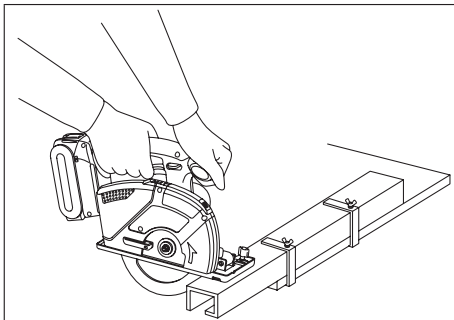


Abb. 14

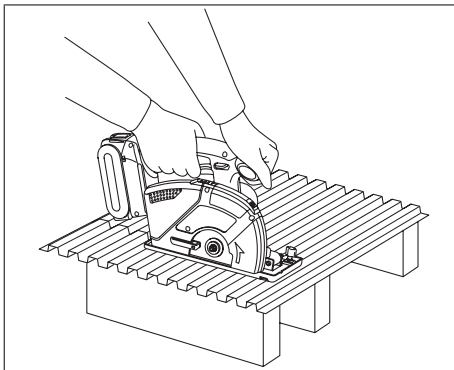


Abb. 15

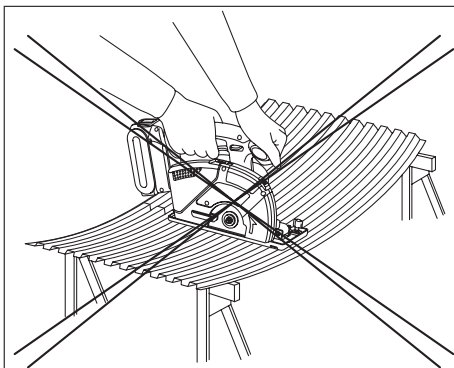


Abb. 16

### **⚠️ WARNUNG**

Zur Verhütung ernsthafter Verletzungen:

- Sollte das Blatt beim Schneiden blockieren oder muß der Schnitt aus anderen Gründen unterbrochen werden, sofort den Schalter loslassen. Halten Sie die Säge fest, bis das Blatt zum Stillstand gekommen ist.
- Ziehen Sie die Säge niemals bei rotierendem Blatt nach hinten oder vom Werkstück, um Rückprall zu vermeiden. Achten Sie darauf, daß das Blatt gestoppt ist, bevor Sie die Säge vom Werkstück lösen.
- Um den Schneidbetrieb fortzusetzen, die Säge starten und warten, bis das Sägeblatt seine volle Drehzahl erreicht hat, dann langsam in den Schnitt einführen und den Schneidbetrieb fortsetzen.

1. Setzen Sie die breitere Fläche des Gleitschuhs auf den fest abgestützten Teil des Werkstücks. (Siehe Abb. 17.) Die Säge niemals auf den Bereich aufstützen, der abgesägt wird. (Siehe Abb. 18.) Die Metallsäge mit beiden Händen fest fassen, um einen Verlust der Kontrolle zu verhindern. Unvorsichtiges Arbeiten kann zu schweren Verletzungen führen.

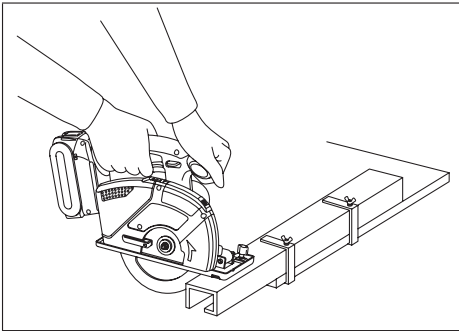


Abb. 17

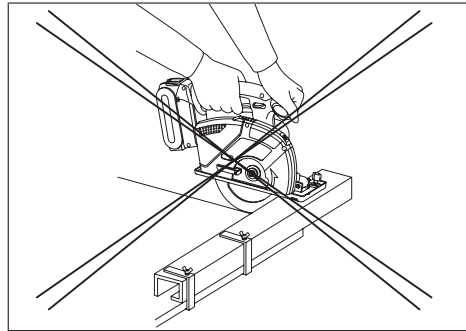


Abb. 18

2. Sicherstellen, daß das Blatt stillsteht.  
Obwohl diese Maschine eine Bremse besitzt, sollten Sie sich vergewissern, dass das Sägeblatt völlig zum Stillstand gekommen und die Schutzhaube geschlossen ist, bevor Sie die Maschine ablegen.
3. Verwenden Sie das Gerät nicht weiter, falls Störungen oder ungewöhnliche Symptome auftreten.  
Falls das Maschinengehäuse sehr heiß wird oder die Maschine nicht richtig funktioniert, nehmen Sie den Akku ab, und benutzen Sie die Maschine nicht weiter. Lassen Sie die Maschine von einer autorisierten Kundendienststelle überprüfen.

### **⚠️ WARNUNG**

Um die Gefahr von schweren Verletzungen oder eines Brands zu verhüten, versuchen Sie nicht, die Maschine selbst zu reparieren. Versuchen Sie keinesfalls, das Maschinengehäuse zu zerlegen oder abzuändern. Es befinden sich keine vom Benutzer zu wartenden Teile im Inneren.

4. **KÖRPERTEILE VON DER SÄGE FERNHALTEN.**  
Nach dem Schnitt die Metallsäge von Körper und Kleidungsstücken fernhalten.  
Da die Schutzhaube einziehbar ist, könnte sie an ihrer Kleidung hängen bleiben, so dass das Sägeblatt freigelegt wird. Halten Sie Ihre Kleidung von der Maschine fern. Hüten Sie sich vor den freiliegenden Sägeblattabschnitten, die im Bereich der oberen und unteren Schutzhaube vorhanden sind.

### **⚠️ WARNUNG**

Schneiden von Metall verursacht Funken;

- Deshalb stets eine Schutzbrille tragen.
- Benutzen Sie die Maschine nicht in der Nähe von brennbaren Substanzen oder an Orten, an denen brennbare Substanzen benutzt werden. Es könnte sonst zu einem Brand und Verbrennungen kommen.

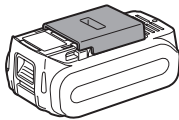
5. Die Spindelarreterierung darf auf keinen Fall bei rotierendem Sägeblatt eingerückt werden, oder als Versuch, die Maschine zu stoppen. Der Ein-Aus-Schalter darf auf keinen Fall bei eingerückter Spindelarreterierung eingeschaltet werden. Anderenfalls kommt es zu schwerer Beschädigung Ihrer Maschine.

## [Akku]

# Für richtigen Gebrauch des Akkus

## Li-Ion-Akku

- Um eine möglichst lange Lebensdauer des Li-Ion-Akkus zu erzielen, lagern Sie ihn nach dem Gebrauch, ohne ihn aufzuladen.
- Achten Sie beim Laden des Akkus darauf, dass die Kontakte am Ladegerät frei von Fremdstoffen, wie z. B. Staub und Wasser usw., sind. Reinigen Sie die Kontakte vor dem Laden des Akkus, falls Fremdstoffe auf den Kontakten vorhanden sind.  
Die Lebensdauer der Akkukontakte kann durch Anhaften von Fremdstoffen, wie z. B. Staub und Wasser usw., während des Betriebs beeinträchtigt werden.
- Wenn Sie den Akku nicht benutzen, halten Sie ihn von Metallgegenständen fern: Büroklammern, Münzen, Schlüssel, Nägel, Schrauben oder andere kleine Metallgegenstände können die Kontakte kurzschließen.  
Das Kurzschließen der Akkukontakte kann Funken, Verbrennungen oder einen Brand verursachen.
- Sorgen Sie bei Benutzung des Akkus für ausreichende Belüftung des Arbeitsplatzes.
- Wenn der Akku vom Werkzeug-Hauptteil abgenommen wird, ist die Akkuabdeckung sofort anzubringen, um zu verhindern, dass die Akkukontakte durch Staub oder Schmutz verunreinigt werden und ein Kurzschluss verursacht wird.



## Lebensdauer des Akkus

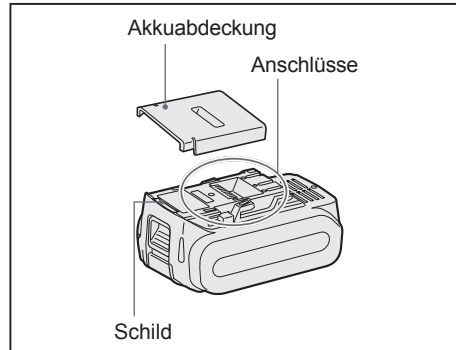
Der Akku hat nur eine begrenzte Lebensdauer. Wenn auch nach einer ordnungsgemäßen Ladung die Betriebszeit extrem kurz ist, muss der Akku erneuert werden.

## Batterie-Recycling

### ACHTUNG:

Um Umweltschutz und Material-Recycling zu gewährleisten, müssen Sie die Batterie zur örtlichen Entsorgungsstelle bringen, falls eine solche in Ihrem Land vorhanden ist.

## Gebrauchsempfehlungen



## Unbedingt die Akkuschutzkappe verwenden

- Wenn der Akku nicht benutzt wird, bewahren Sie ihn so auf, dass die Kontakte nicht durch Fremdstoffe, wie z. B. Staub und Wasser usw., verschmutzt werden. Bringen Sie unbedingt die Akkuschutzkappe zum Schutz der Kontakte an.
- Achten Sie beim Laden des Akkus darauf, dass die Kontakte am Ladegerät frei von Fremdstoffen, wie z. B. Staub und Wasser usw., sind. Reinigen Sie die Kontakte vor dem Laden des Akkus, falls Fremdstoffe auf den Kontakten vorhanden sind.  
Die Lebensdauer der Akkukontakte kann durch Anhaften von Fremdstoffen, wie z. B. Staub und Wasser usw., während des Betriebs beeinträchtigt werden.

### ⚠ VORSICHT:

- Zum Schutz des Motors und des Akkus müssen beim Betrieb die folgenden Punkte beachtet werden.
- Wenn heiß werden, wird die Schutzfunktion aktiviert und der Betrieb von Akku wird eingestellt.  
Die Überhitzungs-Warnlampe am Bedienfeld leuchtet oder blinkt, wenn diese Funktion aktiv ist.

## Für den sicheren Gebrauch

- Der Akku ist aus Sicherheitsgründen so entworfen, dass er in zwei Schritten eingesetzt werden muss. Vergewissern Sie sich vor der Inbetriebnahme der Maschine, dass der Akku ordnungsgemäß in die Haupteinheit eingesetzt ist.

- Wenn der Akku beim Einschalten der Maschine nicht fest angeschlossen ist, blinken die Überhitzungs-Warnlampe und die Warnlampe für niedrige Akkuladung, um anzuzeigen, dass ein sicherer Betrieb nicht möglich ist und das Hauptteil sich nicht wie üblich dreht. Schließen Sie den Akku so an das Hauptteil der Maschine an, dass das rote oder gelbe Schild verschwindet.

## [Ladegerät]

### Laden

#### VORSICHT:

- Das Ladegerät ist nur für Standard-Haushaltsstrom wie auf dem Leistungsschild angegeben ausgelegt. Laden Sie nur mit der auf dem Leistungsschild des Ladegeräts angegebenen Spannung auf, z.B. 230 V / 50 Hz.
- Versuchen Sie nicht, irgendeine andere Spannung oder Frequenz zu benutzen!
- Falls die Temperatur des Akkus unter etwa  $-10^{\circ}\text{C}$  abfällt, wird der Ladevorgang automatisch abgebrochen, um eine Verschlechterung des Akkus zu verhüten.
- Pil takiminin sıcaklığı  $0^{\circ}\text{C}$  ( $32^{\circ}\text{F}$ ) altında ise şarj etmeyin.
- Wenn ein kalter Akku (von etwa  $0^{\circ}\text{C}$  oder weniger) in einem warmen Raum aufgeladen werden soll, lassen Sie den Akku für mindestens eine Stunde in dem Raum und laden Sie ihn auf, wenn er sich auf Raumtemperatur erwärmt hat.  
Aksi halde pil takımı tam olarak şarj olmayacaktır.
- Den Akku abkühlen lassen, wenn er mehr als 2× hintereinander aufgeladen wurde.
- Stecken Sie Ihre Finger nicht in die Kontaktöffnung, um das Ladegerät festzuhalten oder bei anderen Gelegenheiten.

#### ⚠ VORSICHT:

Um die Gefahr eines Brandes oder Schadens am Ladegerät zu verhindern.

- Decken Sie die Entlüftungsöffnungen des Ladegerätes und den Akku nicht ab.
- Trennen Sie das Ladegerät vom Stromnetz, wenn es nicht benutzt wird.

#### HINWEIS:

Beim Kauf ist Ihr Akku nicht voll aufgeladen. Laden Sie daher den Akku vor Gebrauch auf.

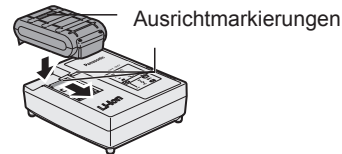
#### Aufladen

1. Ladegerät an Wandsteckdose anschließen.

#### HINWEIS:

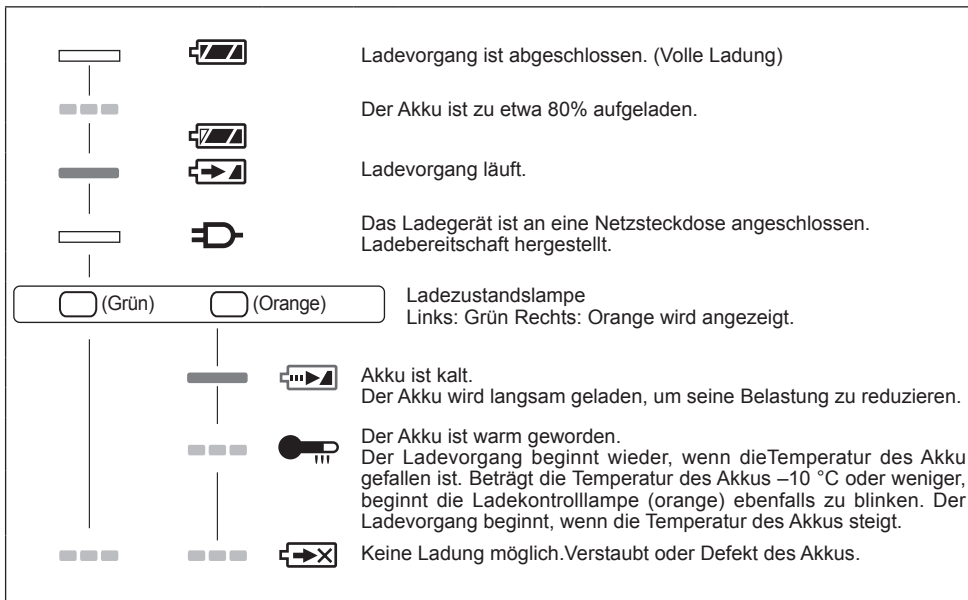
Beim Einführen des Steckers in die Netzsteckdose kann es zu Funkenbildung kommen. Dies stellt jedoch kein Sicherheitsrisiko dar.

2. Setzen Sie den Akku fest in das Ladegerät ein.
  - 1 Die Ausrichtmarkierungen ausrichten, und den Akku in den Schacht des Ladegerätes einsetzen.
  - 2 In Pfeilrichtung nach vorn schieben.



3. Während des Ladevorgangs leuchtet die Ladekontrolllampe. Mit Erreichen der vollen Ladung spricht automatisch eine interne, elektronische Schaltung an, die ein Überladen verhindert.
  - Das Laden beginnt nicht, solange der Akku noch heiß ist (wie z.B. unmittelbar nach intensivem Gebrauch). Die Bereitschaftsleuchte blinkt in Orange, bis der Akku abgekühlt ist. Das Laden beginnt dann automatisch.
4. Die Ladekontrolllampe (grün) blinkt langsam, wenn der Akku zu etwa 80% aufgeladen ist.
5. Wenn der Ladevorgang beendet ist, erlischt die grüne Ladekontrolllampe.
6. Falls die Akkutemperatur  $0^{\circ}\text{C}$  oder weniger beträgt, dauert der Ladevorgang bis zur vollen Aufladung des Akkus länger als die normale Ladezeit. Selbst wenn der Akku voll aufgeladen ist, hat er nur etwa 50% der Leistung eines voll aufgeladenen Akkus bei normaler Betriebstemperatur.
7. Wenden Sie sich an einen Vertragshändler, falls die Ladekontrolllampe (grün) nicht erlischt.
8. Wird ein voll aufgeladener Akku erneut in das Ladegerät eingesetzt, leuchtet die Ladekontrolllampe auf. Nach einigen Minuten erlischt die grüne Ladekontrolllampe.

## Anzeigelampen



Erlischt

Leuchtet

Blinkt

## Benutzerinformation zur Sammlung und Entsorgung von veralteten Geräten und benutzten Batterien



Diese Symbole auf den Produkten, Verpackungen und/oder Begleitdokumenten bedeuten, dass benutzte elektrische und elektronische Produkte und Batterien nicht in den allgemeinen Hausmüll gegeben werden sollen.

Bitte bringen Sie diese alten Produkte und Batterien zur Behandlung, Aufarbeitung bzw. zum Recycling gemäß Ihrer Landesgesetzgebung und den Richtlinien 2002/96/EG und 2006/66/EG zu Ihren zuständigen Sammelpunkten.



Indem Sie diese Produkte und Batterien ordnungsgemäß entsorgen, helfen Sie dabei, wertvolle Ressourcen zu schützen und eventuelle negative Auswirkungen auf die menschliche Gesundheit und die Umwelt zu vermeiden, die anderenfalls durch eine unsachgemäße Abfallbehandlung auftreten können.

Wenn Sie ausführlichere Informationen zur Sammlung und zum Recycling alter Produkte und Batterien wünschen, wenden Sie sich bitte an Ihre örtlichen Verwaltungsbehörden, Ihren Abfallentsorgungsdienstleister oder an die Verkaufseinrichtung, in der Sie die Gegenstände gekauft haben.

Gemäß Landesvorschriften können wegen nicht ordnungsgemäßer Entsorgung dieses Abfalls Strafgebühren verhängt werden.

## Für geschäftliche Nutzer in der Europäischen Union

Wenn Sie elektrische oder elektronische Geräte entsorgen möchten, wenden Sie sich wegen genauerer Informationen bitte an Ihren Händler oder Lieferanten.

## [Informationen zur Entsorgung in Ländern außerhalb der Europäischen Union]

Diese Symbole gelten nur innerhalb der Europäischen Union. Wenn Sie solche Gegenstände entsorgen möchten, erfragen Sie bitte bei den örtlichen Behörden oder Ihrem Händler, welches die ordnungsgemäße Entsorgungsmethode ist.

## V. WARTUNG

### ⚠ WARNUNG

Um ernsthafte Körperverletzung zu vermeiden, nehmen Sie stets den Akku von der Maschine ab, bevor Sie mit irgendwelchen Wartungsarbeiten beginnen.

### VORSICHT:

Um die SICHERHEIT und ZUVERLÄSSIGKEIT dieses Produkts zu gewährleisten, müssen alle Instandsetzungs- und Wartungsarbeiten von einer autorisierten Fachwerkstatt durchgeführt werden. Bestehen Sie auf Verwendung von Original Panasonic-Bauteilen.

### Reinigen der Maschine

Halten Sie Ihre Maschine für gute Schneidleistung und die Aufrechterhaltung der Sicherheit stets sauber.

#### Führen Sie diese Schritte aus:

1. Nehmen Sie den Akku von der Maschine ab.
2. Wischen Sie die Maschine mit einem trockenen, weichen Tuch ab. Verwenden Sie kein nasses Tuch oder Reinigungsflüssigkeiten. Diese könnten die Oberfläche der Säge angreifen.
3. Wischen Sie Öl oder Fett ab, die dazu führen könnten, dass die Maschine schlüpfrig oder schwer zu handhaben wird.
4. Das Blatt abnehmen und Staub entfernen.

### VORSICHT:

- Tauchen Sie niemals Teile des Werkzeugs in Flüssigkeit ein.
- Falls Wasser in das Werkzeug oder den Akku eindringt, lassen Sie umgehend das Wasser ablaufen und die Teile trocknen. Entfernen Sie sorgfältig jeglichen Staub oder Eisenfeilspäne, die sich im Werkzeug angesammelt haben. Sollten Sie Probleme mit dem Betrieb des Werkzeugs haben, konsultieren Sie eine Werkstatt.

## Klarsichthaube

### ⚠ WARNUNG

Falls die Schutzhaube Risse oder Beschädigung aufweist, bringen Sie die Maschine für einen Austausch zu einer autorisierten Kundendienststelle. Versuchen Sie nicht, die Säge in diesem Zustand zu benutzen. Es könnte sonst zu ernsthaften Verletzungen kommen.

Benutzen Sie Ihre Maschine niemals mit einer beschädigten transparenten Schutzhaube oder ohne die transparente Schutzhaube. Herausgeschleuderte Späne könnten ernsthafte Verletzungen verursachen.

## VI. ZUBEHÖR

### ⚠ WARNUNG

- Die Verwendung von anderen Zubehöerteilen, die nicht in dieser Anleitung aufgeführt sind, kann zu Brand, elektrischen Schlägen oder Verletzungen führen. Verwenden Sie ausschließlich das empfohlene Zubehör.
- Wenn ein Sägeblatt für Material verwendet wird, das dicker oder dünner ist als für das betreffende Sägeblatt empfohlen, können die Schnittkanten rau werden. Außerdem ist die Gefahr größer, dass das Sägeblatt zurückschlägt oder es zu anderen Verletzungen kommt.

Hartmetallbestücktes Sägeblatt für Metall

- EY9PM13E  
Zum Schneiden ungehärteter Eisenmaterialien  
Materialdicke  
0,5 mm – 6,0 mm

Hartmetallbestücktes Sägeblatt für dünnes Metall (Sonderzubehör)

- EY9PM13F  
Zum Schneiden ungehärteter Eisenbleche, die eine saubere Schneidkante erfordern  
Materialdicke  
0,5 mm – 6,0 mm

Hartmetallbestücktes Sägeblatt für Holz (Sonderzubehör)

- EY9PW13C  
Zum Schneiden von Holz allgemein

Hartmetallbestücktes Sägeblatt für dünnes Holz (Sonderzubehör)

- EY9PW13D  
Zum Schneiden von dünnem Holz, das eine saubere Schneidkante erfordert  
Empfohlene Materialdicke bis zu 12 mm

Hartmetallbestücktes Sägeblatt für Kunststoff  
(Sonderzubehör)

• EY9PP13C

Zum Schneiden von Kunststoff

Empfohlene Materialdicke bei Acryl- und  
Vinylchloridplatten:

2,0 mm – 5,0 mm

Wellplatten, Rohre

0,8 mm – 5,0 mm

Staubsaugerschlauchadapter (Sonderzubehör)

• EY9X012E

Parallelanschlag (Sonderzubehör)

• EY3500B7727

Für bequeme Längsschnitte und wiederholtes  
Schneiden auf gleiche Breite

## VII. TECHNISCHE DATEN

### HINWEIS:

Gewichtsangabe

Mehr als oder gleich 1 Kg : angegeben auf 0,05 Kg.

Weniger als 1 Kg : angegeben auf 0,01 Kg.

### HAUPTGERÄT

Modell	EY45A2				
Betriebsspannung	DC 14,4 V		DC 18 V		
Blattdrehzahl	3600 rpm (min <sup>-1</sup> )		4500 rpm (min <sup>-1</sup> )		
Blattformat	135 mm				
Außendurchmesser	20 mm				
Aufspannlochdurchmesser					
Maximale Schnitttiefe	0 - 46 mm (Φ135 mm Blatt)				
Maximales Drehmoment	5,4 N•m		6,7 N•m		
Gesamtlänge	292 mm (nur Hauptgerät)				
Gewicht (mit Akku)	2,05 kg (nur Hauptgerät)				
Akkupacks	Li-Ion-Akkupacks				
	EY9L42	EY9L44	EY9L45	EY9L50	EY9L51
	DC 14,4 V		DC 18 V		
Geräusche Vibration	Siehe beiliegendes Blatt				

### AKKU-LADEGERÄT

Modellnr.	EY0L82					
Elektronische Nennleistung	Siehe Leistungsschild auf der Unterseite des Ladegerätes.					
Gewicht	0,93 kg					
Ladezeit	Modellnr.	EY9L42	EY9L44	EY9L45	EY9L50	EY9L51
	Nutzbar	30 min.	40 min.	50 min.	40 min.	55 min.
	Voll	35 min.	55 min.	60 min.	55 min.	70 min.

**HINWEIS:** Diese Tabelle kann Modelle enthalten, die möglicherweise in Ihrem Wohngebiet nicht angeboten werden.

Bitte nehmen Sie auf den neusten Generalkatalog Bezug.

Name und Adresse des Händlers entnehmen Sie bitte der beiliegenden Garantiekarte.

# VIII. ANHANG

## GARANTIE-ZUSATZ

- Betriebsstörungen und Schäden aufgrund von Dauerbetrieb (z.B. Fließbandarbeit usw.) sind von der Garantie ausgeschlossen.
- Schäden oder Defekte aufgrund der Verwendung von Zubehör, das nicht in dieser Anleitung angegeben ist, sind nicht durch die Garantie abgedeckt.



**Instructions originales: anglais**  
**Traduction des instructions originales:**  
**Autres langues**

**Veuillez lire la brochure "Instructions de sécurité" et ce qui suit avant d'utiliser l'appareil.**

## I. INTRODUCTION

Cet outil est une scie circulaire polyvalente sans fil. En changeant la lame, il peut être utilisé pour scier du bois, du métal et du plastique. La poussière peut être rassemblée au moyen d'une boîte à poussière intégrée ou par un aspirateur connecté (en fixant la durit à la scie circulaire).

### **△ DANGER**

Ce produit est un appareil de sciage conçu pour scier du métal et du bois. Sa lame circulaire rotative a une puissance de coupe extrêmement forte de sorte qu'une utilisation inappropriée peut se traduire par de très graves blessures voire entraîner la mort. C'est la raison pour laquelle nous vous demandons de lire attentivement cette notice d'utilisation et les marques d'avertissement sur l'outil, et de vous conformer rigoureusement à toutes les instructions de sécurité afin d'éviter de vous blesser.

### **△ AVERTISSEMENT**

Afin d'éviter toute blessure, n'insérez jamais vos doigts ou tout autre objet dans aucune des ouvertures de l'outil.

### **△ AVERTISSEMENT**

**Lisez tous les avertissements de sécurité et toutes les instructions.**

Si ces avertissements et ces instructions ne sont pas observés, cela peut entraîner des décharges électriques, un incendie et/ou des blessures graves.

## Comment se servir de cette notice

- Veuillez lire complètement ce manuel avant de commencer à scier avec votre outil. Si vous laissez quelqu'un d'autre utiliser l'outil, assurez-vous qu'il ait lu ce manuel ou qu'il ait été complètement instruit dans l'utilisation correcte de l'outil et dans toutes les précautions de sécurité concernant l'outil.
- Veuillez conserver ce manuel pour référence ultérieure. Il contient d'importants renseignements concernant la sécurité que vous devez observer afin d'utiliser l'outil en toute sécurité.
- Dans cette notice et sur l'outil figurent les termes de signalisation suivants:

### **REMARQUE**

Les remarques fournissent des renseignements supplémentaires concernant l'outil dont vous devez prendre connaissance.

### **MISE EN GARDE**

Les mises en garde signalent des situations présentant un danger réel pouvant se traduire par des blessures superficielles ou moyennes si elles ne sont pas abandonnées. Les mises en garde rappellent aussi que les pratiques envisagées ne sont pas sûres et doivent être abandonnées.

### **AVERTISSEMENT**

Les avertissements signalent des situations présentant un danger réel pouvant se traduire par des accidents graves voire entraîner la mort si elles ne sont pas abandonnées.

### **DANGER**

Les rappels de danger signalent un risque imminent pouvant se traduire par des accidents graves voire entraîner la mort s'il n'est pas évité.

**Veuillez lire le livret "Instructions de sécurité" et les instructions suivantes avant d'utiliser l'outil.**

## II. RÈGLES DE SÉCURITÉ COMPLÉMENTAIRES

### Instructions de sécurité pour toutes les scies circulaires

#### **△ DANGER**

- 1) **N'approchez pas les mains de la zone de sciage et de la lame de scie. Laissez votre deuxième main sur la poignée auxiliaire ou sur le carter du moteur.** Si vos deux mains tiennent la scie circulaire, elles ne risqueront pas d'être coupées par la lame de scie.
- 2) **Ne touchez pas le dessous de la pièce ouvragée.** Le protège-lame ne peut pas vous protéger de la lame en-dessous de la pièce ouvragée.
- 3) **Ajustez la profondeur de sciage de façon qu'elle corresponde à l'épaisseur de la pièce ouvragée.** Il faut que moins d'une dent entière des dents de la lame de scie soit visible au-dessous de la pièce ouvragée.
- 4) **Ne tenez jamais la pièce que vous coupez avec les mains ou entre les jambes. Placez la pièce ouvragée sur une base bien stable.** Il est essentiel de bien soutenir la pièce ouvragée pour réduire les risques d'exposition du corps, de blocage de la lame ou de perte du contrôle de la scie.
- 5) **Tenez l'outil mécanique par les surfaces de prise isolées lorsque vous effectuez des travaux lors desquels la scie circulaire risque d'entrer en contact avec des fils cachés ou avec son propre cordon.** Le contact avec un fil "sous tension" mettra aussi "sous tension" les parties métalliques exposées de l'outil mécanique, et l'opérateur risquera alors d'être électrocuté.
- 6) **Lors d'un sciage en planches, utilisez toujours un guide de sciage ou un bord droit comme guide.** Ceci permettra d'obtenir une meilleure précision de sciage et de réduire les risques de blocage de la lame de scie.
- 7) **Utilisez toujours des lames de scie de dimensions correctes et avec les trous d'arbre profilés correspondants (losange contre rond).** Les lames ne correspondant pas au système de montage de la scie circulaire tourneront excentriquement et provoqueront une perte de contrôle.
- 8) **N'utilisez jamais de rondelles ou de boulons de lame endommagés ou inadéquats.** Les rondelles et les boulons de lame ont été conçus spécialement pour cette scie circulaire pour assurer les performances de fonctionnement et la sécurité d'utilisation optimales.

### Autres instructions de sécurité pour toutes les scies circulaires

#### Causes et prévention par l'utilisateur d'un retour:

- Le retour est une réaction brusque à une lame de scie pincée, bloquée ou mal alignée, occasionnant un saut incontrôlé de la scie circulaire qui quitte soudainement la pièce ouvragée en direction de l'utilisateur.
- Lorsque la lame de scie est pincée ou bloquée par l'encoche qui se referme, la lame cale et la réaction du moteur projette rapidement l'outil en arrière vers l'opérateur.
- Si la lame se tord ou quitte l'alignement du sciage, les dents du bord arrière de la lame peuvent buter contre la surface supérieure du bois, faisant sortir la lame de l'encoche et projetant l'outil en arrière vers l'opérateur.

Le retour est la conséquence d'une mauvaise utilisation de l'outil et/ou de procédures ou de conditions d'utilisation inadéquates, et peut être évité en prenant les précautions suivantes.

- 1) **Tenez la scie circulaire fermement et positionnez vos bras de façon à pouvoir résister aux forces de retour de l'outil. Positionnez votre corps d'un côté ou de l'autre de la lame de scie, mais non dans le prolongement de la lame.**

Le retour est susceptible de faire sauter l'outil vers l'arrière, mais les forces de retour de l'outil peuvent être contrôlées par l'opérateur si les précautions adéquates sont prises.

- 2) **Lorsque la lame de scie se bloque, ou en cas d'interruption du sciage pour quelque raison que ce soit, relâchez le déclencheur et maintenez la scie circulaire dans la matière sans bouger jusqu'à ce que la lame soit tout à fait arrêtée. N'essayez jamais de retirer la scie circulaire de la pièce ouvragée ou de la tirer vers l'arrière alors que la lame est encore en mouvement, sinon un retour en arrière risquera de se produire.**

Si la lame se bloque, recherchez la cause du blocage et prenez les dispositions nécessaires pour éliminer le blocage.

- 3) **Lorsque vous redémarrez la scie circulaire dans la pièce ouvragée, centrez la lame de scie dans l'encoche et vérifiez si les dents ne sont pas entrées dans la matière.**

Si la lame de scie se bloque, elle peut bondir hors de la pièce ouvragée ou effectuer un retour lors du redémarrage de la scie circulaire.

- 4) **Soutenez les panneaux de grande taille pour réduire les risques de pincement ou de retour de la lame de scie.**

Les grands panneaux ont tendance à fléchir sous leur propre poids. Des supports doivent être placés de chaque côté sous le panneau, près de la ligne de sciage et près du bord du panneau.

- 5) **N'utilisez pas de lames émoussées ou endommagées.**

Les lames non aiguisées ou mal fixées produisent une encoche étroite qui provoque un frottement excessif, un blocage de la lame et un retour en arrière.

- 6) **Les leviers de verrouillage de l'ajustement de la profondeur de la lame et du biseau doivent être serrés bien fermement avant de procéder au sciage.**

Si l'ajustement de la lame se modifie pendant le sciage, cela risque d'occasionner un blocage et un retour en arrière.

- 7) **Faites particulièrement attention pendant la réalisation d'"entailles de marquage" dans un mur existant ou dans d'autres zones masquées.**

La lame saillante risquerait de couper des objets, ce qui provoquerait un retour en arrière.

## Instructions de sécurité pour l'utilisation de cette scie circulaire

- 1) **Avant chaque utilisation, vérifiez le protège-lame inférieur. N'utilisez pas la scie circulaire si le protège-lame inférieur ne se déplace pas bien doucement et ne se ferme pas instantanément. N'attachez ou ne fixez jamais le protège-lame inférieur en position ouverte.**

Si vous laissez tomber accidentellement la scie circulaire, le protège-lame inférieur risque d'être tordu. Relevez le protège-lame inférieur à l'aide de la poignée rétractable et assurez-vous qu'il se déplace librement et n'entre pas en contact avec la lame ou tout autre composant dans tous les angles et à toutes les profondeurs de sciage.

- 2) **Vérifiez le fonctionnement du ressort du protège-lame inférieur. Si le protège-lame et le ressort ne fonctionnent pas correctement, vous devez les réparer avant d'utiliser l'outil.**

Le protège-lame inférieur pourra fonctionner avec une certaine lourdeur en raison de l'usure des composants, de dépôts collants ou de l'accumulation de débris.

- 3) **Le protège-lame inférieur ne doit être rétracté manuellement que pour des sciages spécialisés tels que des "sciages en**

plongée" et des "sciages composés". Relevez le protège-lame inférieur et rétractant la poignée et dès que la lame pénètre dans le matériau, le protège-lame inférieur doit être relâché.

Pour tout autre sciage, le protège-lame inférieur devrait fonctionner automatiquement.

- 4) **Veillez toujours à ce que le protège-lame inférieur recouvre la lame avant de déposer la scie circulaire sur un établi ou sur le sol.**

Une lame non protégée et libre peut faire reculer la scie circulaire et couper tout ce qui se trouve sur son passage. Tenez compte du temps que la lame met pour s'arrêter après avoir relâché l'interrupteur.

- 5) **N'utilisez pas de roues abrasives.**

- 6) **Portez un masque antipoussière si les travaux produisent de la poussière.**

- 7) **Utilisez des lames de scie recommandées par le fabricant.**

- 8) **Mettez des protecteurs d'oreilles lorsque vous utilisez l'outil pendant de longues périodes.**

- 9) **Le risque de retour augmente à mesure que la batterie autonome se décharge.**

- 10) **Veillez à bien inspecter le matériel. Évitez de couper d'autres matériaux inadéquates.**

- 11) **Veillez à ne pas laisser tomber l'outil.**

- 12) **Ne balancez jamais l'outil.**

- 13) **Ne couvrez jamais les fentes de ventilation, et veillez à ce que celles-ci soient exemptes de saletés ou de corps étrangers.**

- 14) **Ne serrez jamais l'outil dans un étau. N'effectuez jamais de sciage en tenant l'outil sans dessus dessous dans un étau. Ceci est extrêmement dangereux et peut entraîner des accidents graves.**

- 15) **Ne portez jamais de gants en tricot.**

- 16) **Lors de l'utilisation de l'outil dans des endroits élevés, veillez à ce qu'il n'y ait personne en dessous.**

- 17) **Ne touchez pas la lame juste après l'utilisation. Elle peut alors être très chaude et risque de vous brûler la peau.**

- 18) **Ne touchez pas la pièce ouvragée juste après l'avoir coupée. La pièce coupée peut être très chaude.**

- 19) **N'utilisez pas d'huile pour sciage. L'utilisation d'huile pour sciage risque de causer un incendie.**



- 20) **Ne coupez pas de pièces couvertes ou souillées de gaz, d'huile, de solvants, de diluants, etc.**

Ces produits risqueraient d'endommager le protège-lame transparent.

21) Ne déposez pas le protège-lame transparent et le protège-lame inférieur. Si le protège-lame transparent et le protège-lame inférieur sont endommagés ou manquants, rendez l'outil à un centre de service agréé pour le remplacer.

22) Ne faites pas démarrer la rotation de la lame de scie lorsqu'elle est en contact avec la pièce ouvragée. Attendez que la lame de scie tourne à la vitesse maximale avant de commencer à couper.

## Symbole

Symbole	Signification
V	Volts
— — — — — - - - - -	Courant direct
$n_0$	Vitesse sans charge
... min <sup>-1</sup>	Rotations ou alternances par minute
A	Ampères
	Pour réduire les risques de blessures, l'utilisateur doit lire et comprendre le mode d'emploi.
	Pour l'utilisation à l'intérieur seulement.

### ⚠ AVERTISSEMENT

- N'utilisez que la batterie autonome Panasonic conçue pour l'utilisation avec cet outil rechargeable.
- Panasonic décline toute responsabilité en cas de dommage ou d'accident causé par l'utilisation d'une batterie autonome recyclée et d'une batterie autonome de contrefaçon.
- Ne mettez pas la batterie autonome au rebut dans un feu ou ne l'exposez pas à une chaleur excessive.
- N'enfoncez pas de clous ou autres dans la batterie autonome, ne la soumettez pas à des chocs, ne la démontez pas ou n'essayez pas de la modifier.
- Ne laissez pas d'objets métalliques entrer en contact avec les bornes de la batterie autonome.
- Ne transportez pas ou ne rangez pas la batterie autonome dans un récipient contenant des clous ou tout autre objet métallique.

- Ne chargez pas la batterie autonome dans un endroit où la température est élevée comme à proximité d'un feu ou à la lumière directe du soleil. Sinon la batterie peut surchauffer, prendre feu ou exploser.
- N'utilisez que le chargeur dédié pour charger la batterie autonome. Sinon, la batterie peut fuir, surchauffer ou exploser.
- Après avoir retiré la batterie autonome de l'outil ou du chargeur, remettez toujours le couvercle de la batterie autonome en place. Sinon, les contacts de la batterie peuvent se mettre en court-circuit, entraînant le risque d'un incendie.
- Si la batterie autonome s'est détériorée, la remplacer par une batterie neuve. L'utilisation prolongée d'une batterie autonome endommagée peut provoquer des dégagements de chaleur, un départ de feu ou l'explosion de la batterie.

## III. MONTAGE

### Fixation ou retrait de la batterie autonome

#### MISE EN GARDE:

Avant d'insérer la batterie autonome, assurez-vous que l'interrupteur d'alimentation de l'outil fonctionne correctement et remettez-le sur la position d'arrêt après l'avoir relâché.

1. Pour raccorder la batterie autonome (Voir la fig. 2)
  - Alignez les marques d'alignement mises en valeur et fixez la batterie autonome.
  - Faites glisser la batterie autonome jusqu'à ce qu'elle se verrouille en position.

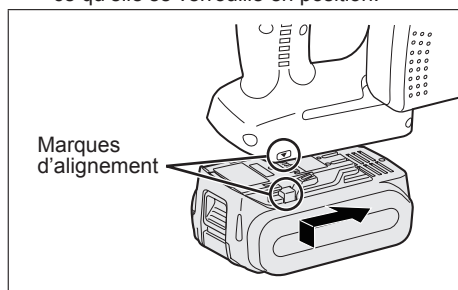


Fig. 2

2. Pour retirer la batterie autonome (Voir la fig. 3)
  - Poussez le bouton et faites glisser la batterie autonome vers l'avant.

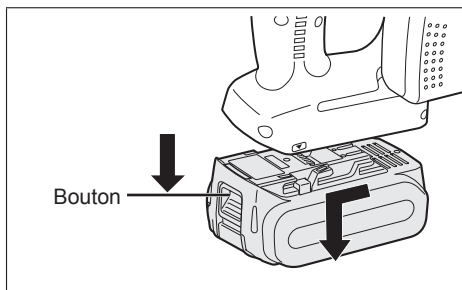


Fig. 3

## IV. UTILISATION

### Avant d'utiliser l'outil

Cet outil a été conçu pour couper des métaux ferreux non trempés, des métaux non ferreux, du bois et du plastique. Dans la section "Accessoires" figure la liste des lames de scie à utiliser pour les applications adéquates de cet outil. Pour réduire les risques de blessures, vous devez prendre les précautions suivantes:

- Ne coupez pas des pièces empilées. Coupez-les l'une après l'autre.
- Ne coupez pas de pièces en acier trempé.
- Coupez les pièces avec le bord le plus large du sabot sur le côté pincé de la pièce.
- Ne touchez pas la lame de scie, la pièce ouvragée ou les ébarbures de sciage avec les mains nues tout de suite après avoir effectué le sciage; elles peuvent être très chaudes et risquent de vous brûler la peau.

Chaque fois que vous utilisez l'outil, vous devez vous assurer qu'il est en bon état de fonctionnement.

Se servir de la liste de contrôle indiquée ci-après pour faire cette vérification:

1. La lame de scie est-elle montée dans le bon sens?  
La flèche imprimée sur la lame de scie doit être dirigée dans le même sens que la flèche du protecteur supérieur de lame de scie.
2. La lame de scie est-elle fixée correctement?  
Vérifier que le boulon d'assemblage à six pans est bien bloqué. (Voir la fig. 6)
3. Un examen visuel révèle-t-il que la lame de scie est en bon état?  
Remplacer immédiatement la lame de scie si des fissures sont détectées sur la lame ou si des dents sont cassées.
4. Le protecteur mobile inférieur de lame se ferme-t-il correctement?

### ⚠ AVERTISSEMENT

Afin d'éviter toute blessure, n'utilisez pas l'outil si le protège-lame inférieur ne se referme pas rapidement par dessus la lame.

5. Le protège-lame transparent est-il bien installé?
6. La batterie autonome est-elle chargée et bien insérée dans l'outil?
7. L'écrou d'ajustement de la profondeur de sciage est-il bien serré?
8. La pièce ouvragée est-elle bien pincée sur le tréteau de la scie ou sur l'établi?
9. La boîte à poussière ou le couvercle avant sont-ils bloqués par de la poussière?
10. Utilisez uniquement des lames de scie prévues pour des vitesses supérieures à celle de l'unité principale.

La lame de scie pourrait être abîmée si elle est utilisée à une vitesse inférieure à la vitesse prévue pour l'unité principale.

Désengagez le bouton de verrouillage du couvercle avant et retirez toute la poussière qui s'est accumulée à l'intérieur du couvercle. Si le couvercle est bloqué, utilisez un objet long comme un tournevis manuel pour le débloquer. Ensuite, refermez le couvercle avant. (Voir la fig. 4)

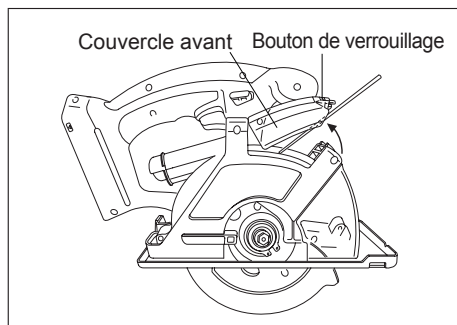


Fig. 4

S'il y a de la poussière dans la boîte à poussière, désengagez le bouton de verrouillage de la boîte à poussière, détachez la boîte à poussière et retirez la poussière. Ensuite, réinstallez la boîte à poussière. (Voir la fig. 5)

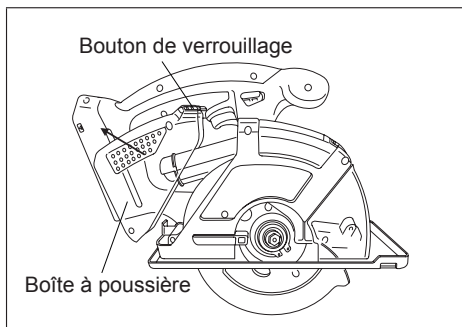


Fig. 5

## Comment remonter la lame de scie

### Procéder suivant les étapes indiquées ci-dessous:

1. Retirer la batterie autonome de l'outil.
2. Retirer tout les débris de sciage de la zone de la lame.
3. Utiliser la poignée rétractable pour rétracter (ouvrir) le protège-lame inférieur.
4. Remonter la lame de scie en procédant de la façon illustrée sur la figure ci-dessus. (Voir la fig. 6)

Veiller à ce que les deux flèches de sens de rotation de la lame et la flèche de sens de rotation du protecteur supérieur de lame de scie sont orientées dans la même direction.

5. Remonter la rondelle extérieure.
6. Remonter le boulon hexagonal.
7. Maintenir le bouton de verrouillage de broche vers le bas. Ceci empêche la lame de scie de tourner.
8. Serrer le boulon hexagonal avec la clé hexagonale fournie avec la scie.

#### REMARQUE:

La clé hexagonale doit être rangée dans la fente de rangement du boîtier de scie circulaire à couper les métaux si elle n'est pas utilisée.

#### ⚠ AVERTISSEMENT

Si vous ne respectez pas ces instructions, vous risquez de vous blesser gravement.

## Comment retirer la lame de scie

### MISE EN GARDE:

Ne pas oublier que la lame de scie est bouillante après une opération de coupe. Il faut donc laisser refroidir suffisamment la lame de scie avant de la séparer de la scie.

### Procéder suivant les étapes indiquées ci-dessous:

1. Retirez la batterie autonome de l'outil.
2. Maintenez le bouton de verrouillage de broche vers le bas. Ceci empêche la lame de scie de tourner.
3. Se servir de la clé hexagonale fournie pour desserrer le boulon hexagonal.

#### REMARQUE:

Gardez la clé hexagonale dans sa fente de rangement sur le corps de la scie circulaire lorsque vous ne l'utilisez pas.

4. Retirez le boulon hexagonal et la rondelle extérieure.
5. Utilisez la poignée rétractable pour rétracter (ouvrir) le protège-lame inférieur.
6. Retirez soigneusement la lame.
7. Nettoyez l'outil si nécessaire.

#### MISE EN GARDE:

Veiller à ne pas se blesser les mains sur la lame au cours de cette opération.

- Lorsqu'une lame de scie est mise au rebut, l'envelopper d'une épaisse feuille de carton. Ceci permet d'éviter que d'autres personnes se blessent avec la lame jetée.

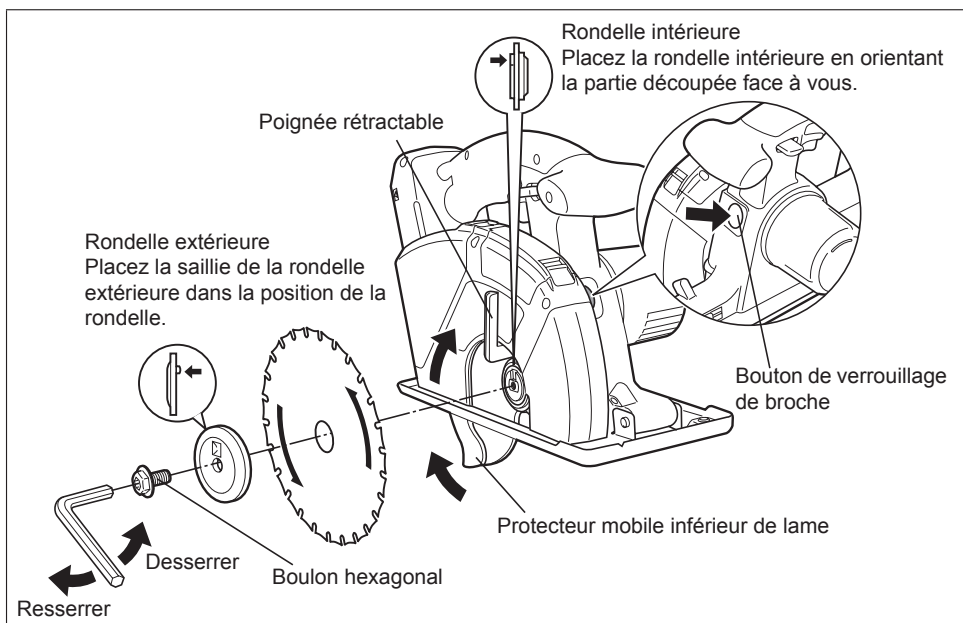


Fig. 6

## Utilisation de l'outil

### MISE EN GARDE:

Afin de réduire les risques de blessure, lisez les Instructions de sécurité au début de ce manuel avant d'utiliser l'outil.

### ⚠️ AVERTISSEMENT

Afin de réduire les risques de blessure, portez des lunettes de sécurité ou des lunettes avec des écrans latéraux pendant l'utilisation de la scie circulaire. De plus, portez un masque antipoussière lors du sciage de matériaux produisant un excès de particules. N'utilisez pas la scie circulaire sous la pluie. Cela peut entraîner des décharges électriques ou la scie circulaire peut émettre de la fumée.

Ne sciez pas de matériaux recouverts de diluant pour peinture, d'essence, d'huile ou de toute autre accumulation. Cela peut fendre la boîte à poussière, entraînant des blessures.

### Suivez ces étapes:

Maintenez l'outil avec les deux mains. (Voir la fig. 8) N'essayez pas de retirer le matériau scié alors que la lame tourne.

1. Alignez la ligne de mire du sabot sur votre ligne de sciage. (Voir la fig. 7)

### Alignement sur la ligne de sciage

- Placez l'encoche du sabot au-dessus de la ligne de sciage, alignez les coins supérieur et inférieur de l'ouverture en forme de diamant sur la ligne.

La position de sciage pouvant être différente selon la lame de scie utilisée, faites un essai de sciage préalablement.

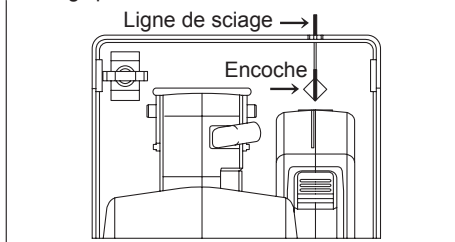


Fig. 7

2. Abaissez le levier de verrouillage d'interrupteur, puis pressez l'interrupteur d'alimentation pour démarrer le moteur, et enfin relâchez le levier de verrouillage d'interrupteur.

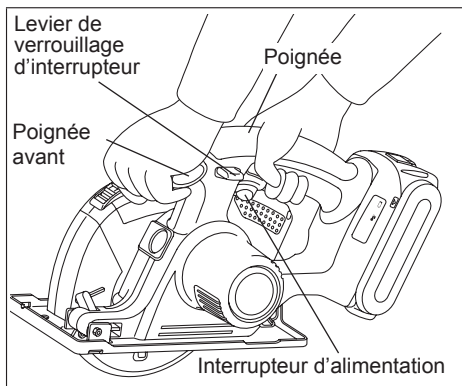


Fig. 8

#### MISE EN GARDE:

- Vérifiez que le levier du verrou du commutateur marche.
- Si le commutateur d'alimentation peut être activé sans presser le levier du verrou du commutateur, arrêtez d'utiliser l'appareil. Portez l'outil à un centre de réparation autorisé.
- Tenez toujours la poignée dans une main et le poignée avant dans l'autre. (Voir la fig. 8). Maintenez une pression ferme et pressez complètement le commutateur.
- La lame ne doit pas toucher la matériau à couper avant de démarrer le moteur. Attendez que la lame atteigne sa vitesse maximale avant de commencer le découpage.
- Cet outil ne possède aucun dispositif pour verrouiller l'interrupteur d'alimentation sur la position "ON", et vous ne devez absolument pas tenter de le fixer sur la position "ON".

3. Commencez à couper lorsque la lame tourne à la vitesse maximum.

#### MISE EN GARDE:

- Pour empêcher une réaction au démarrage, la lame de scie démarre à une vitesse réduite. (Démarrage graduel)
4. Pendant le sciage, gardez votre ligne de sciage droite. Déplacez l'outil vers l'avant à une vitesse constante tout en regardant la pointe de la lame par le protège-lame transparent.

#### ⚠ AVERTISSEMENT

- Afin de prévenir un retour dangereux, gardez le sabot de l'outil à plat sur la surface du matériaux en cours de sciage.
- Ne forcez jamais l'outil. Utilisez une pression légère et continue.

5. Si le moteur commence à paraître trop chaud, arrêtez le sciage. Laissez l'outil refroidir avant de continuer à travailler.
6. Retirer la batterie autonome après l'utilisation et avant de ranger l'outil est toujours une précaution sûre.

## Ajustement de la profondeur de sciage

- Retirez la batterie autonome.
  - Desserrez l'écrou d'ajustement de la profondeur et ajustez la profondeur de sciage à l'aide des graduations du protège-lame inférieur pour calibrer la profondeur. Lorsque l'ajustement de la profondeur est terminé, resserrez bien l'écrou d'ajustement de la profondeur.
- \* Lorsque le matériau en bois est d'une épaisseur de 10 mm (3/8") ou moins, ajustez la profondeur de sciage de façon à ce que la lame dépasse d'environ 5 mm (3/16") du fond du matériau.

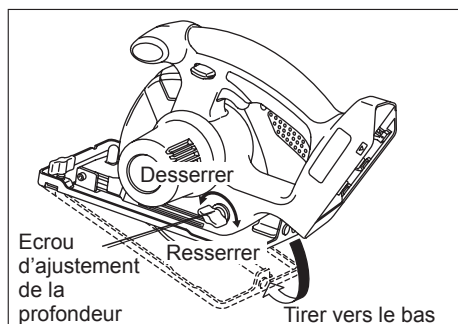


Fig. 9

## Guide de sciage (EY3500B7727)

(Disponible comme accessoire, non inclus)

La barrière de refente est pratique pour les coupes de refentes et les coupes répétées d'une largeur uniforme.

- Retirez la batterie autonome.
- Insérez le guide de sciage et ajustez la largeur de sciage. (Voir la fig. 10)
- Serrez bien fermement la vis pour fixer le guide de sciage.

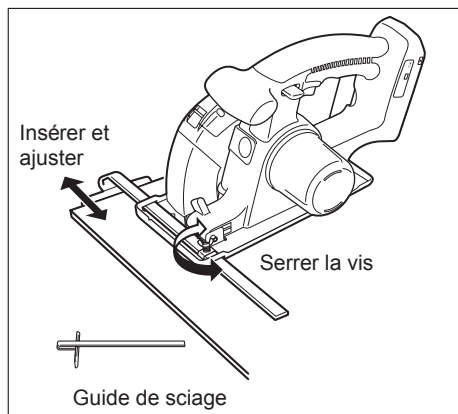


Fig. 10



## Ramassage de la poussière

### ⚠ AVERTISSEMENT

- \* Avant de scier des matériaux en métal, videz toujours la boîte à poussière, ouvrez le couvercle avant et retirez la poussière.
- L'utilisation de la scie circulaire pour couper des matériaux en métal alors que la boîte à poussière contient des matériaux inflammables peut entraîner un incendie.
- \* Lors du sciage de matériaux en métal, utilisez toujours la scie circulaire avec la boîte à poussière fixée.
- Des étincelles et des copeaux métalliques volants peuvent entraîner des blessures.
- \* Lors du sciage de matériaux en métal, ne fixez pas l'aspirateur.  
Les étincelles et les copeaux de métal chaud peuvent entraîner l'incendie de l'aspirateur. Faites fonctionner l'aspirateur conformément à ses instructions.

(1) Ramassez la poussière dans la boîte à poussière.

- \* Videz la boîte à poussière lorsqu'elle est remplie de poussière.
- \* Videz la boîte à poussière avant de ranger la scie circulaire.
- \* Capacité de la boîte à poussière
  - Lors du sciage d'une conduite électrique d'un diamètre de 25 mm (1"), environ 130 sciages
  - Lors du sciage de bois d'œuvre de 45 mm (1-25/32") x 45 mm (1-25/32"), environ 150 sciages

### REMARQUE:

Certains matériaux peuvent entraîner l'accumulation de poussière à l'intérieur du couvercle avant lors du sciage de ces matériaux.

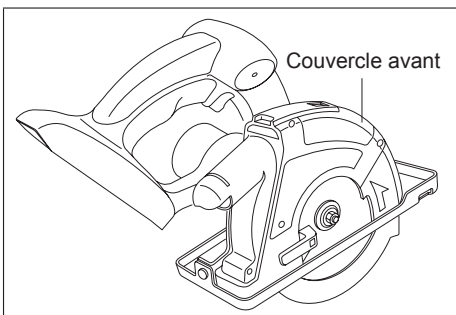


Fig. 11

(2) Utilisez avec un aspirateur pour ramasser la poussière.

- \* Connecter la scie circulaire à la durit à l'aide de l'adaptateur de durit de l'aspirateur EY9X012E (vendue séparément).  
Diamètre intérieur de la durit compatible: 25 mm (1") à 38 mm (1-2/1")
- \* Faites fonctionner l'aspirateur en observant ses instructions.

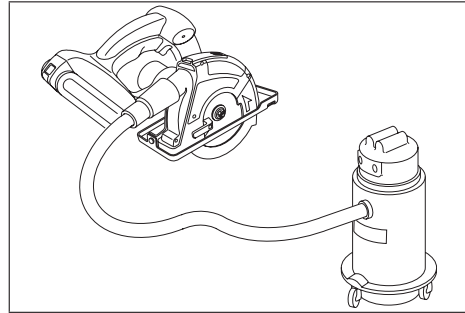


Fig. 12

### REMARQUE:

Lorsque la scie circulaire présente des difficultés à éjecter ou à ramasser la poussière, la sortie de la poussière peut être bloquée par la poussière. Ouvrez le couvercle avant et retirez toute la poussière.

## Lumière DEL

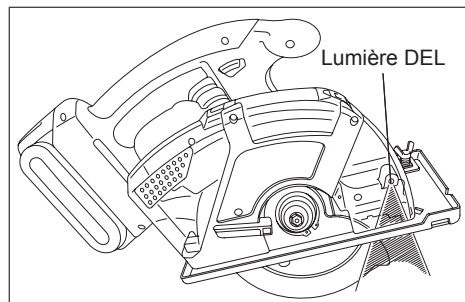


Fig. 13

La lumière DEL s'allume lorsque l'interrupteur d'alimentation est enfoncé et s'éteint lorsque l'interrupteur d'alimentation est relâché.

- La lumière éclaire avec un courant de très faible intensité qui n'affecte pas négativement la performance du tournevis ou la capacité de la batterie pendant son utilisation.

### MISE EN GARDE:

- La lumière DEL incorporée est conçue pour éclairer temporairement la petite zone de travail.
- Ne l'utilisez pas comme remplacement d'une torche normale, elle n'est pas assez lumineuse.

**Mise en garde: NE REGARDEZ PAS DIRECTEMENT LE FAISCEAU.**

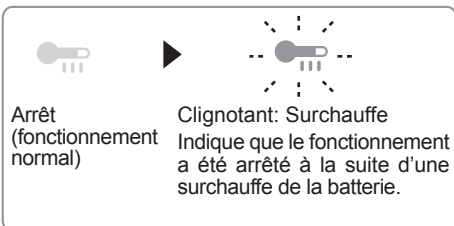
L'utilisation de commandes ou de réglages ou l'exécution de procédures autres que ceux spécifiés dans ce manuel peut entraîner l'exposition à de dangereuses radiations.

## Panneau de commande



(1) (2) (3)

### (1) Témoin d'avertissement de surchauffe



La caractéristique de protection contre la surchauffe arrête le fonctionnement de l'outil afin de protéger la batterie autonome dans le cas d'une surchauffe. Le témoin d'avertissement de surchauffe clignote sur le panneau de commande lorsque cette fonction est active.

- Si la caractéristique de protection contre la surchauffe s'active, laissez l'outil se refroidir complètement (pendant au moins 30 minutes). L'outil est prêt à être utilisé lorsque le témoin d'avertissement de surchauffe s'éteint.

- Evitez d'utiliser l'outil d'une façon entraînant la caractéristique de protection contre la surchauffe de s'activer souvent.

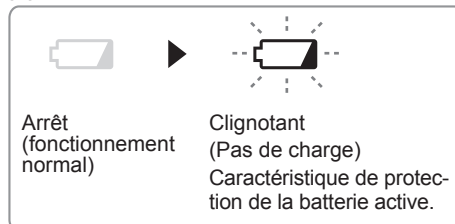
- Si l'outil est utilisé dans un environnement froid (en hiver par exemple), ou s'il est arrêté fréquemment pendant l'utilisation, il est possible que la caractéristique de protection contre la surchauffe ne s'active pas.

La performance du EY9L42 se dégrade considérablement à une température égale ou inférieure à 10 °C en raison des conditions de travail et d'autres facteurs.

- Le niveau de température ambiante moyenne se situe entre 0 °C (32 °F) et 40 °C (104 °F). Si la batterie autonome est utilisée alors que sa température est inférieure à 0 °C (32 °F), l'outil pourrait ne pas fonctionner correctement.

- Lorsqu'une batterie autonome froide (en-dessous de 0 °C (32 °F)) doit être rechargée dans une pièce chaude, laissez la batterie autonome dans la pièce pendant une heure au moins et rechargez-la quand elle a atteint la température ambiante.

### (2) Témoin d'avertissement de batterie basse



Une décharge excessive (complète) des batteries aux ions de lithium raccourcit notablement leur durée de service. L'outil comprend une caractéristique de protection de la batterie conçue pour empêcher la décharge excessive de la batterie autonome.

- La caractéristique de protection de la batterie s'active automatiquement avant que la batterie ne perde sa charge, entraînant le clignotement du témoin d'avertissement de batterie basse.

- Dès que vous remarquez le clignotement du témoin d'avertissement de batterie basse, rechargez immédiatement la batterie autonome.

- Si l'outil est démarré avec trop peu de batterie restante, il pourra s'arrêter en cours d'opération sans que le voyant d'avertissement de batterie faible ne clignote avant cela. Cela indiquera qu'il y a trop peu de batterie disponible pour utiliser l'outil et que le bloc batterie devra être rechargé avant toute utilisation.

- Si l'outil est sujet à une charge soudaine durant son utilisation, cela provoquera le verrouillage du moteur, le détecteur de prévention des décharges pourrait être déclenché et le voyant de batterie faible pourrait clignoter. Le voyant arrêtera de clignoter une fois que vous aurez géré la raison du verrouillage du moteur et que vous aurez activé la gâchette.

### MISE EN GARDE:

La caractéristique de protection contre la surcharge fonctionne même lorsque le témoin d'avertissement de batterie basse et la lumière DEL clignotent tous les deux.

- Chargez immédiatement la batterie autonome lorsque la puissance de la batterie s'affaiblit.

- Lorsqu'une batterie autonome froide (en dessous de 0 °C (32 °F)) doit être rechargée dans une pièce chaude, laissez la batterie autonome dans la pièce et patientez une heure au moins pour qu'elle atteigne la température ambiante.

- Diminuez et coupez la puissance appliquée lorsque la tension de la batterie diminue brusquement en raison d'une charge élevée agissant sur le moteur. N'effectuez pas d'opérations qui provoqueront l'activation répétée de la caractéristique de protection contre la surcharge.

## Comment faire un usage approprié de la scie (renseignements supplémentaires)

### ⚠AVERTISSEMENT

Pour éviter de se blesser gravement:

- Il est important d'utiliser un dispositif adéquat pour tenir bien en place la pièce ouvragée, et de tenir fermement la scie circulaire à couper les métaux avec les deux mains pour éviter d'en perdre le contrôle et de se blesser.
- La figure 14 montre la position de sciage correcte.
- Noter que les mains sont éloignées du secteur de coupe.
- Veillez à ce qu'il n'y ait personne à proximité de la zone de travail et en-dessous de la pièce ouvragée.
- Lorsque vous effectuez la coupe, ne tentez pas de tenir la pièce ouvragée avec la main.

### Sciage de feuilles de grande taille:

Soutenez les feuilles de grande taille. Veillez à ajuster la profondeur du sciage afin de ne couper qu'en travers de la pièce ouvragée et non à travers les supports. (Voir la fig. 15)

Les feuilles de grande taille fléchissent ou plient si elles ne sont pas correctement supportées. Si vous tentez d'effectuer la coupe sans mettre la pièce ouvragée bien à niveau et sans la soutenir correctement, la lame de scie aura tendance à se bloquer, ce qui causera un retour. (Voir la fig. 16)

- Ne supportez pas la pièce ouvragée loin de la ligne de sciage.

### Coupe de pièces fines ou en tôle ondulée;

Coupez les pièces fines ou en tôle ondulée à au moins 25 mm (1") du bord de la pièce ouvragée pour éviter de vous blesser ou d'endommager l'outil avec les petites ébarbures métalliques tirées dans le protège-lame supérieur.

- Utiliser systématiquement des lames de scie parfaitement affûtées. En effet, les lames de scie propres et bien affûtées limitent au maximum les risques de blocage et de chocs de retour de lame.

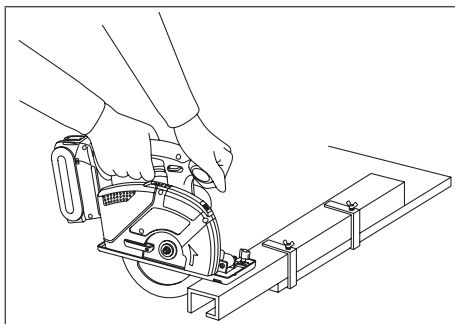


Fig. 14

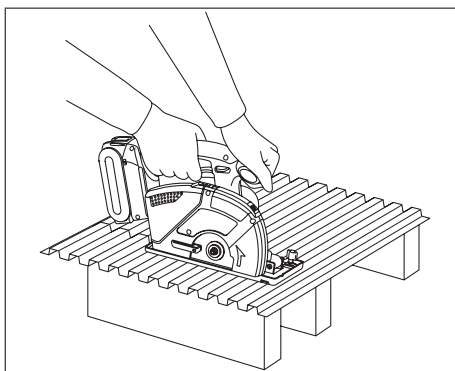


Fig. 15

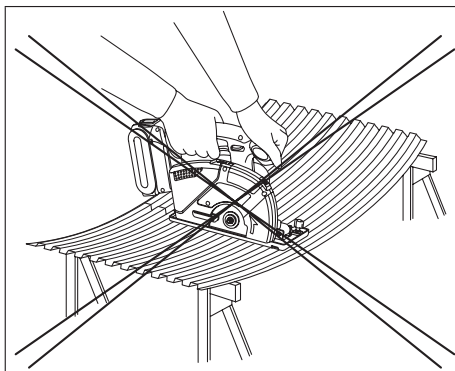


Fig. 16

### ⚠AVERTISSEMENT

Pour éviter de vous blesser gravement:

- Lorsque vous effectuez un sciage incomplet ou que vous interrompez le sciage, que la lame de scie est bloquée ou que la scie circulaire à couper les métaux cale, relâchez immédiatement l'interrupteur d'alimentation et tenez la scie circulaire sans bouger dans la pièce ouvragée jusqu'à ce que la lame de scie arrête complètement de tourner.
- Pour éviter les chocs de retour de lame, ne jamais essayer de retirer la lame de scie de la pièce à couper ni ramener la lame en arrière pendant qu'elle tourne encore. S'assurer que la lame de scie est complètement arrêtée et retirer ensuite la scie circulaire à couper les métaux de la fente de coupe.
- Pour reprendre le sciage, faites démarrer la scie circulaire, laissez la lame atteindre sa pleine vitesse, entrez de nouveau lentement dans la ligne de sciage et reprenez le sciage.

1. Placez la partie la plus large du sabot sur la partie de la pièce ouvragée qui est solidement soutenue (voir la fig. 17), et jamais sur la section qui s'affaîssera à la fin du sciage (voir la fig. 18). Pour éviter tout risque de contrôle de l'outil, saisissez fermement la scie. Une façon désinvolte de procéder peut se traduire par de graves accidents corporels.

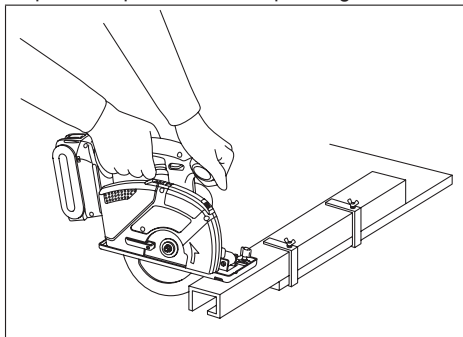


Fig. 17

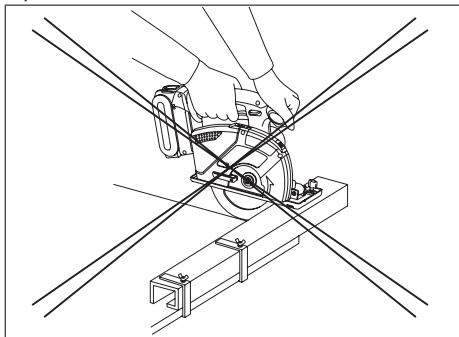


Fig. 18

2. S'assurer que la lame de scie s'arrête complètement.  
Bien que votre outil soit équipé d'un frein, avant de poser la scie circulaire, assurez-vous que la lame se soit complètement arrêtée et que le protège-lame inférieur s'est refermé.
3. Ne pas se servir de la scie circulaire à couper les métaux lorsque quelque chose semble anormal. Séparer immédiatement la batterie autonome de la scie.  
Si le corps de l'outil devient brûlant ou s'il ne fonctionne pas correctement, retirez la batterie autonome et cessez l'utilisation. Faites-la vérifier par un centre de service agréé.

### ⚠AVERTISSEMENT

Afin de prévenir les risques de blessures graves ou d'incendie, n'essayez pas de réparer l'outil vous-même. Ne démontez ou ne modifiez jamais le corps de l'outil. Il ne contient aucune pièce pouvant être réparée par l'utilisateur.

4. AUCUNE PARTIE DU CORPS NE DOIT VENIR DIRECTEMENT EN CONTACT AVEC LA SCIE À COUPER LES MÉTAUX.  
Lorsqu'une coupe est terminée, prendre toutes les précautions nécessaires pour que la scie ne frotte pas contre la jambe ou le flanc.  
Le protège-lame inférieur étant rétractable, il peut se prendre dans vos vêtements et exposer la lame. Gardez les vêtements éloignés de l'outil. Faites attention aux sections de la lame exposées qui existent dans les zones du protège-lame supérieur et inférieur.

### ⚠AVERTISSEMENT

Étant donné que la coupe d'une pièce métallique provoque des étincelles, il convient de:

- Toujours porter des lunettes de sécurité.
  - N'utilisez pas l'outil à proximité de toute matière inflammable ou dans une zone où des matières inflammables sont utilisées. Un incendie ou des brûlures peuvent s'ensuivre.
5. N'engagez jamais le verrou de la broche pendant que la lame tourne ou n'essayez pas d'arrêter l'outil. Ne mettez jamais l'interrupteur d'alimentation sur la position de marche lorsque le verrou de la broche est engagé. Cela provoquera des dégâts sérieux de votre outil.

## [Batterie]

### Pour une utilisation correcte de la batterie autonome

#### Batterie autonome Li-ion

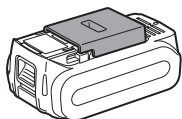
- Pour une longévité optimale de la batterie, rangez la batterie autonome Li-ion sans la charger après l'avoir utilisée.
- Lors de la charge de la batterie autonome, assurez-vous que les bornes du chargeur de batterie sont libres de tout corps étranger comme de la poussière et de l'eau, etc. Nettoyez les bornes avant de charger la batterie autonome si des corps étrangers se trouvent sur les bornes.

La durée de vie des bornes de la batterie autonome peut être affectée par des corps étrangers comme de la poussière et de l'eau, etc. pendant le fonctionnement.

- Lorsque vous n'utilisez pas la batterie autonome, éloignez-la d'autres objets métalliques tels que : trombones, pièces de monnaie, clés, clous, vis et autres petits objets métalliques susceptibles de connecter les bornes entre elles.

Si vous court-circuitez les bornes de la batterie, vous risquez de causer des étincelles, de vous brûler ou de provoquer un incendie.

- Lors de l'utilisation de la batterie autonome, assurez-vous de la bonne ventilation du lieu de travail.
- Lorsque la batterie autonome est retirée du corps de l'outil, remplacez immédiatement le couvercle de la batterie autonome afin d'empêcher la poussière ou la crasse de contaminer les bornes de la batterie et de provoquer un court-circuit.



#### Longévité des batteries autonomes

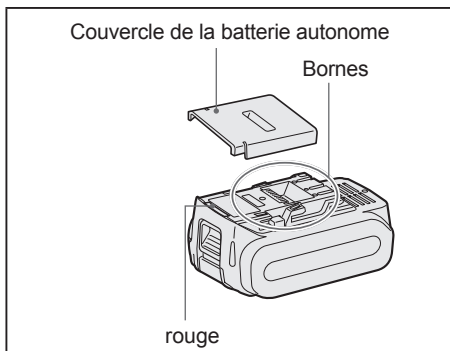
Les batteries rechargeables ont une longévité limitée. Si le temps de fonctionnement devient très court après la recharge, remplacez la batterie autonome par une neuve.

### Recyclage de la batterie autonome

#### ATTENTION:

Pour la protection de l'environnement naturel et le recyclage des matériaux, veuillez à mettre la batterie au rebut à un endroit prévu officiellement à cet effet, s'il y en a un dans votre pays.

#### Recommandations concernant l'utilisation



#### Veillez à utiliser le couvercle de la batterie autonome

- Lorsque le couvercle de la batterie autonome n'est pas utilisé, rangez la batterie de façon à ce qu'aucun corps étranger comme de la poussière et de l'eau ne contamine les bornes. Veillez à fixer le couvercle de la batterie autonome afin de protéger les bornes de la batterie.

- Lors de la charge de la batterie autonome, assurez-vous que les bornes du chargeur de batterie sont libres de tout corps étranger comme de la poussière et de l'eau, etc. Nettoyez les bornes avant de charger la batterie autonome si des corps étrangers se trouvent sur les bornes.

La durée de vie des bornes de la batterie autonome peut être affectée par des corps étrangers comme de la poussière et de l'eau, etc. pendant le fonctionnement.

#### ⚠ MISE EN GARDE:

Pour protéger le moteur ou la batterie, veuillez à bien noter les points suivants lorsque vous utilisez la machine.

- Si la batterie chauffe, la caractéristique de protection s'active et la batterie cesse de fonctionner.

Le témoin d'avertissement de surchauffe sur le panneau de commande s'allume ou clignote lorsque cette fonction est activée.

## Pour un usage sans risque

- La batterie est conçue pour être installée en deux étapes pour des raisons de sécurité. Assurez-vous que la batterie est installée correctement dans l'unité principale avant toute utilisation.
- Lorsque la batterie autonome n'est pas connectée fermement à la mise sous tension, le témoin d'avertissement de surchauffe et le témoin d'avertissement de faible batterie clignotent pour indiquer qu'un fonctionnement sans danger n'est pas possible et l'unité principale ne tourne pas normalement. Branchez la batterie autonome dans l'unité de l'outil jusqu'à ce que l'indicateur rouge ou jaune disparaisse.

## [Chargeur de batterie]

### Recharge

#### MISE EN GARDE:

- Le chargeur est conçu pour fonctionner uniquement sur une prise électrique domestique standard conformément aux indications de la plaque signalétique. Le chargement doit uniquement être effectué à la tension indiquée sur la plaque signalétique de l'appareil (par ex : 230 V / 50Hz).
- Ne tentez pas de l'utiliser à une autre tension ou fréquence !
- Si la température de la batterie autonome descend en dessous de -10 °C (14 °F) environ, la charge s'arrête automatiquement afin de prévenir la dégradation de la batterie.
- Ne pas charger une batterie autonome dont la température est au-dessous de 0 °C (32 °F).
- Lorsqu'une batterie autonome froide (en dessous de 0 °C (32 °F)) doit être rechargée dans une pièce chaude, laissez la batterie autonome dans la pièce pendant une heure au moins et rechargez-la quand elle a atteint la température ambiante.
- Laissez refroidir le chargeur quand vous rechargez plus de deux batteries autonomes à la suite.
- Ne mettez pas vos doigts dans les trous des connecteurs lorsque vous prenez les chargeurs ou à n'importe quelle occasion.

#### ⚠ MISE EN GARDE:

Pour éviter les risques d'incendie ou d'endommagement du chargeur de batterie.

- Ne bouchez pas les trous d'aération du chargeur et de la batterie autonome.
- Débranchez le chargeur lorsque vous ne l'utilisez pas.

#### REMARQUE:

Votre batterie autonome n'est pas complètement chargée au moment de l'achat. Veillez à bien charger complètement la batterie avant son utilisation.

#### Comment charger

1. Branchez le cordon d'alimentation du chargeur dans une prise secteur.

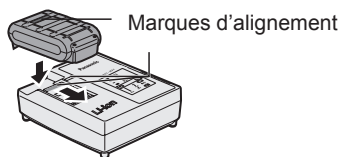
#### REMARQUE:

Des étincelles peuvent être produites lorsque la fiche est introduite dans la prise d'alimentation secteur; toutefois, ceci ne pose aucun problème de sécurité.

2. Connectez fermement la batterie autonome sur le chargeur.

- 1 Alignez les marques d'alignement et placez la batterie dans le poste d'accueil sur le chargeur.

- 2 Faites glisser vers l'avant dans le sens de la flèche.



3. Le témoin s'allume pendant la charge.

Lorsque la charge est terminée, un interrupteur électronique s'actionne pour protéger la batterie.

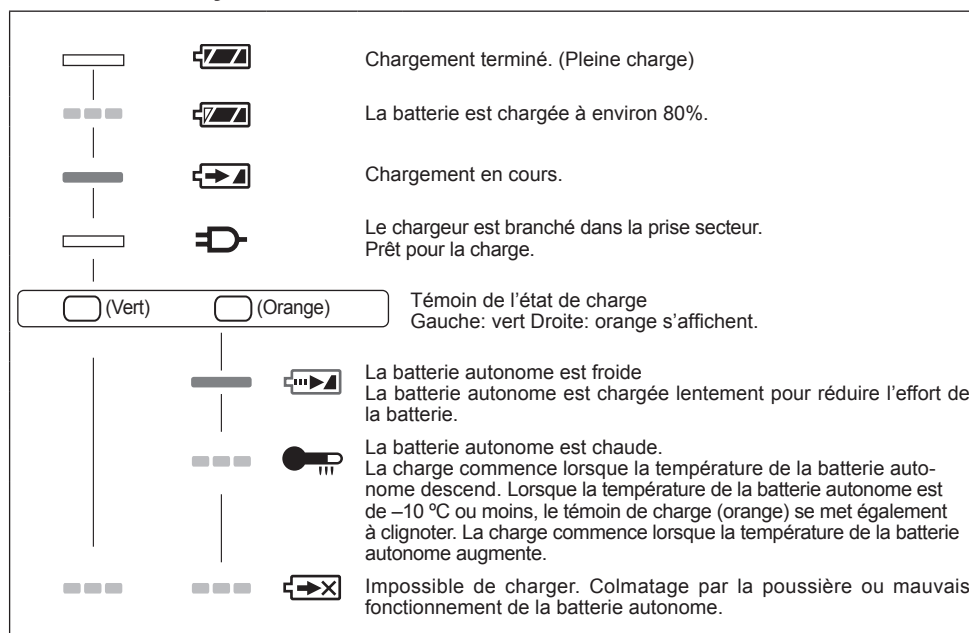
- La charge ne peut pas être réalisée si la batterie autonome est chaude (par exemple, à la suite d'un long travail de perçage). Le témoin d'attente orange clignote jusqu'à ce que la batterie se soit refroidie. La charge commence alors automatiquement.

4. Le témoin de charge (vert) clignote lentement dès que la batterie est chargée à environ 80%.

5. Lorsque le chargement est terminé, le témoin de charge de couleur verte s'éteint.

- Lorsque la température de la batterie autonome est de 0°C ou moins, la batterie autonome prend plus longtemps à charger que la durée standard.  
Même lorsque la batterie est complètement chargée, elle n'aura qu'environ 50% de la puissance d'une batterie complètement chargée à une température de fonctionnement normale.
- Consultez un distributeur agréé si le témoin de charge (vert) ne s'éteint pas.
- Si une batterie complètement chargée est à nouveau insérée dans le chargeur, le témoin de charge s'allume. Après quelques minutes, le témoin de charge de couleur verte s'éteindra.

## Indication du voyant



Éteint

Allumé

Clignote

## Avis aux utilisateurs concernant la collecte et l'élimination des piles et des appareils électriques et électroniques usagés



Apposé sur le produit lui-même, sur son emballage, ou figurant dans la documentation qui l'accompagne, ce pictogramme indique que les piles et appareils électriques et électroniques usagés doivent être séparés des ordures ménagères.



Afin de permettre le traitement, la valorisation et le recyclage adéquats des piles et des appareils usagés, veuillez les porter à l'un des points de collecte prévus, conformément à la législation nationale en vigueur ainsi qu'aux directives 2002/96/CE et 2006/66/CE.



En éliminant piles et appareils usagés conformément à la réglementation en vigueur, vous contribuez à prévenir le gaspillage de ressources précieuses ainsi qu'à protéger la santé humaine et l'environnement contre les effets potentiellement nocifs d'une manipulation inappropriée des déchets.

Pour de plus amples renseignements sur la collecte et le recyclage des piles et appareils usagés, veuillez vous renseigner auprès de votre mairie, du service municipal d'enlèvement des déchets ou du point de vente où vous avez acheté les articles concernés.

Le non-respect de la réglementation relative à l'élimination des déchets est passible d'une peine d'amende.

## Pour les utilisateurs professionnels au sein de l'Union européenne

Si vous souhaitez vous défaire de pièces d'équipement électrique ou électronique, veuillez vous renseigner directement auprès de votre détaillant ou de votre fournisseur.

### [Information relative à l'élimination des déchets dans les pays extérieurs à l'Union européenne]

Ce pictogramme n'est valide qu'à l'intérieur de l'Union européenne. Pour connaître la procédure applicable dans les pays hors Union européenne, veuillez vous renseigner auprès des autorités locales compétentes ou de votre distributeur.

## V. ENTRETIEN

### ⚠ AVERTISSEMENT

Afin d'éviter toute blessure grave, retirez toujours la batterie autonome de l'outil avant de procéder à toute procédure d'entretien.

### MISE EN GARDE:

Pour avoir la certitude de réunir en permanence les conditions de SÉCURITÉ et de FIABILITÉ nécessaires, les opérations d'entretien doivent être confiées à un centre de service après-vente autorisé. Il faut toujours exiger que le remplacement de pièces soit fait par des pièces d'origine Panasonic.

### Nettoyage de l'outil

Gardez votre outil propre afin d'assurer une bonne performance de sciage et pour garder son utilisation sûre.

#### Suivez ces étapes:

1. Retirez la batterie autonome de l'outil.
2. Essuyez l'outil avec un chiffon propre et sec. N'utilisez pas un chiffon mouillé ou des liquides de nettoyage. Ils pourraient endommager la finition de la scie circulaire.
3. Veillez à essuyer toute huile ou graisse qui pourraient rendre l'outil glissant ou difficile à manipuler.
4. Retirer la lame de scie de la scie et retirer les particules qui s'y sont déposées avec une brosse.

### MISE EN GARDE:

- Pour éviter tout risque d'accident et pour ne pas endommager la scie circulaire à couper les métaux, ne jamais immerger tout ou partie de la scie dans un liquide.
- Au cas où l'intérieur de l'outil ou du bloc batterie serait exposé à de l'eau, enlevez l'eau et laissez sécher dès que possible. Enlevez soigneusement toutes saletés ou limailles de fer qui s'accumulent à l'intérieur de l'outil. Si vous rencontrez des problèmes lors de l'utilisation de l'outil, consulter un atelier de réparation.

### Protège-lame transparent

#### ⚠ AVERTISSEMENT

Si la garde est fissurée ou cassée, apportez l'outil à un centre de service agréé pour la faire remplacer. N'essayez pas de faire fonctionner la scie circulaire. Cela peut entraîner des blessures graves.

N'utilisez jamais votre outil avec un protège-lame transparent endommagé ou sans avoir installé le protège-lame transparent. Des copeaux projetés peuvent entraîner des blessures graves.

## VI. ACCESSORIES

#### ⚠ AVERTISSEMENT

- L'utilisation d'accessoires ne figurant pas dans ce manuel peut causer un incendie, un choc électrique ou des blessures corporelles. N'utilisez que les accessoires recommandés.
- L'utilisation d'une lame sur des matériaux plus épais ou plus fins que recommandé aura pour conséquence une coupe grossière et pourrait aggraver le risque de "retour en arrière" ("kick-back") ou d'autres dommages.

Lame au carbure pour métal

- EY9PM13E

Pour scier des matériaux ferreux non trempés

Épaisseur du matériau

0,5 mm – 6,0 mm

Lame au carbure pour métal mince (accessoire en option)

- EY9PM13F

Pour scier des matériaux ferreux non trempés minces requérant un bord de coupe propre

Épaisseur du matériau

0,5 mm – 6,0 mm



Lame au carbure pour bois (accessoire en option)

- EY9PW13C  
Pour scier du bois en général

Lame au carbure pour bois mince (accessoire en option)

- EY9PW13D  
Pour scier du bois mince requérant un bord de coupe propre  
Épaisseur du matériau recommandée: jusqu'à 12 mm

Lame au carbure pour plastique (accessoire en option)

- EY9PP13C  
Pour scier du plastique  
Épaisseur recommandée des matériaux acryliques et des plaques en chlorure de vinyle:  
2,0 mm – 5,0 mm  
plaques ondulées, tuyaux  
0,8 mm – 5,0 mm

Adaptateur pour durit d'aspirateur (accessoire en option)

- EY9X012E

Guide de sciage (accessoire en option)

- EY3500B7727  
Pour effectuer commodément des sciages en planches et des sciages répétés de largeur uniforme

## VII. FICHE TECHNIQUE

### REMARQUE :

Indication de poids

Supérieur ou égal à 1 kg : indiqué par 0,05 kg.

Inférieur à 1 kg : indiqué par 0,01 kg.

### UNITE PRINCIPALE

N° du modèle	EY45A2				
Tension de moteur	DC 14.4 V		DC 18 V		
Vitesse de rotation de lame	3600 rpm (min <sup>-1</sup> )		4500 rpm (min <sup>-1</sup> )		
Taille de lame	135 mm				
Diamètre extérieur	20 mm				
Dimension d'arbre					
Profondeur maximum de coupe	0 - 46 mm (Φ135 mm de diamètre)				
Couple maximum	5.4 N•m		6.7 N•m		
Longueur totale	292 mm (unité principale uniquement)				
Poids	2.05 kg (unité principale uniquement)				
Batteries autonomes	Batteries autonomes Li-ion				
	EY9L42	EY9L44	EY9L45	EY9L50	EY9L51
	DC 14.4 V		DC 18 V		
Bruit Vibration	Reportez-vous à la fiche incluse.				

## CHARGEUR DE BATTERIE

N° du modèle		EY0L82				
Tension électrique		Voir la plaque signalétique se trouvant sur le côté inférieur du chargeur.				
Poids		0.93 kg				
Durée de chargement	N° du modèle	EY9L42	EY9L44	EY9L45	EY9L50	EY9L51
	Utilisable	30 min.	40 min.	50 min.	40 min.	55 min.
	Plein	35 min.	55 min.	60 min.	55 min.	70 min.

**REMARQUE:** Ce tableau peut inclure des modèles non disponibles dans votre région.  
Veuillez vous reporter au catalogue général le plus récent.  
Pour obtenir le nom et l'adresse du revendeur, veuillez consulter la carte de garantie incluse.

## VIII. ANNEXE

### GARANTIE COMPLÉMENTAIRE

- La panne et les dégâts causés par une utilisation continue pendant une période prolongée (par ex. : travail en usine sur la chaîne de montage, etc.) ne sont pas couverts par la garantie.
- Les dégâts ou défaillances causés par l'utilisation d'accessoires non spécifiés dans ce manuel ne seront pas couverts par la garantie.

Istruzioni originalmente scritte in: inglese  
Istruzioni originali tradotte in: altre lingue

Leggere le “Istruzioni per la Sicurezza”  
ed i seguenti punti, prima di utilizzare  
l'apparecchio.

## I. INTRODUZIONE

Questo attrezzo è una Cesoia Multiuso. Basta cambiare la lama e può essere usata per tagliare legno, metallo e plastica. La polvere può essere raccolta da un raccogli-polvere incorporato o collegando un aspirapolvere (applicando il tubo alla cesoia).

### ⚠ PERICOLO

Questo attrezzo è un utensile per tagliare metalli e legno. E' stato dotato di una lama rotante in grado di fare tagli profondi che possono causare lesioni gravi o addirittura mortali. Per questo motivo, leggere attentamente il presente manuale e le avvertenze riportate sull'attrezzo ed attenersi a tutte le Istruzioni di Sicurezza al fine di evitare tali lesioni.

### ⚠ AVVERTIMENTO

Al fine di evitare lesioni, non inserite mai le dita o altri oggetti nelle aperture dell'attrezzo.

### ⚠ AVVERTIMENTO

Leggere tutte le istruzioni e le avvertenze di sicurezza.

Il mancato rispetto delle istruzioni e delle avvertenze potrebbe causare scosse elettriche, un incendio e/o gravi ferite.

## Uso di questo manuale

- Leggere il presente manuale in tutte le sue parti prima di iniziare ad utilizzare l'attrezzo. Se qualche altra persona deve usare l'attrezzo, assicurarsi che legga questo manuale oppure che venga accuratamente istruita relativamente al funzionamento e alle precauzioni di sicurezza da adottare durante l'utilizzo dell'attrezzo.
- Conservare il presente manuale per riferimenti futuri. Contiene importanti informazioni da seguire per poter usare l'attrezzo in modo sicuro.
- I seguenti termini vengono usati nel presente manuale e sull'utensile stesso:

### NOTA

Le note forniscono ulteriori informazioni importanti sull'attrezzo.

### PRECAUZIONE

Le precauzioni indicano situazioni potenzialmente pericolose, che possono causare lesioni lievi o leggeri se non vengono osservate. Le precauzioni avvertono anche l'utilizzatore di azioni poco sicure da evitare.

### AVVERTIMENTO

Un avvertimento segnala una situazione potenzialmente pericolosa, che può causare lesioni gravi o addirittura letali se non viene evitata.

### PERICOLO

Indica un pericolo imminente che può causare lesioni gravi o mortali se non lo si evita.

**Leggere il libretto delle istruzioni di sicurezza e quanto segue prima dell'uso.**

## II. NORME DI SICUREZZA AGGIUNTIVE

### Istruzioni di sicurezza per tutti i tipi di sega

#### ⚠ PERICOLO

- 1) **Tenere le mani lontane dall'area di taglio e dalla lama. Tenere l'altra mano sull'impugnatura ausiliaria o sull'alloggiamento del motore.** Se si tiene la sega con ambedue le mani, esse non possono essere tagliate dalla lama.

- 2) **Non toccare il pezzo dalla parte inferiore. La protezione non è in grado di proteggere l'utente dalla lama sotto il pezzo.**
- 3) **Regolare la profondità del taglio in base allo spessore del pezzo da lavorare. Al di sotto del pezzo da lavorare, deve essere visibile meno di un intero dente della lama.**
- 4) **Non tenere mai con le mani o sulle gambe il pezzo in fase di lavorazione. Fissare il pezzo da lavorare ad una piattaforma stabile.** E' importante dare un buon sostegno al pezzo da lavorare per ridurre al minimo l'esposizione del corpo, eventuali inceppamenti e la perdita del controllo della sega.
- 5) **Tenere l'utensile elettrico per le superfici isolate delle impugnature per effettuare un'operazione in cui la cesoia può venire a contatto con dei cavi nascosti o il suo stesso cavo.** Il contatto con un cavo sotto tensione causa la messa sotto tensione delle parti in metallo dell'utensile e, di conseguenza, delle scosse elettriche che potrebbero colpire l'utente.
- 6) **Quando si sega secondo la fibra, usare sempre una guida pezzo o una guida laterale dritta.** Questo accorgimento migliora la precisione del taglio e riduce la possibilità di inceppamento della lama.
- 7) **Usare sempre delle lame con dei fori sull'albero dal formato e dalla forma giusta (diamante contro rotondo).** Una lama non compatibile con i pezzi utilizzati nel montaggio della sega girerà in modo eccentrico, causando così la perdita del controllo della sega.
- 8) **Non usare mai delle rondelle o dei bulloni errati o danneggiati per la lama.** Le rondelle e i bulloni della lama sono stati progettati specificatamente per la sega, al fine di ottenere le migliori prestazioni ed un funzionamento sicuro.

## Istruzioni di sicurezza aggiuntive per tutti i tipi di sega

### Causa e prevenzione del contraccolpo:

- Il contraccolpo è la reazione improvvisa di una lama inceppata, o male allineata, che causa il sollevamento e l'allontanamento della lama dal pezzo in direzione dell'operatore;
- Quando la lama si inceppa, la stessa comincia a perdere velocità e la reazione del motore porta l'apparecchio rapidamente verso l'operatore;
- Se la lama si torce o esce dalla linea di taglio, i denti posti sul bordo posteriore della lama possono penetrare nella superficie superiore del legno, causando così l'allontanamento della lama dal taglio e lo sbalzo all'indietro della stessa in direzione dell'operatore.

Il contraccolpo è il risultato dell'utilizzo errato dell'utensile e/o di procedure operative o condizioni errate; esso può essere evitato prendendo le seguenti precauzioni:

- 1) **Tenere la sega con ambedue le mani e tenere le braccia in una posizione che consenta di resistere alla spinta del contraccolpo. Posizionarsi da un'unica parte della lama, ma non in linea con la stessa.**

Il contraccolpo può causare uno sbalzo all'indietro della sega, ma può essere controllato se si prendono le dovute precauzioni.

- 2) **Quando la lama si inceppa o quando si deve interrompere il lavoro per qualche motivo, rilasciare la leva di scatto e tenere la sega ferma nel materiale fino a quando la lama non si sarà arrestata completamente. Non cercare mai di rimuovere la sega dal pezzo o di estrarre la sega mentre è in movimento la lama, altrimenti si può verificare il contraccolpo.**

Individuare la causa dell'inceppamento ed attuare le misure opportune per eliminarla.

- 3) **Quando si deve riprendere il lavoro, inserire la lama della sega nel taglio e verificare che i denti non si incastrino nel materiale.**

Se la lama della sega si dovesse inceppare, al momento dell'accensione, la lama potrebbe sbalzare verso l'alto o si potrebbe verificare un contraccolpo.

- 4) **Sostenere i pannelli grandi per ridurre al minimo il rischio di inceppamento e contraccolpo della lama.**

I pannelli grandi tendono ad abbassarsi sotto il proprio peso. In tal caso, occorre posizionare dei sostegni sotto il pannello in due posizioni, ossia vicino alla linea di taglio e vicino al bordo del pannello.

- 5) **Non usare lame poco affilate o danneggiate.** Una lama non affilata o installata in modo errato può creare un taglio stretto, causando così un livello eccessivo di frizione, inceppamento e contraccolpi della lama.

- 6) **Le leve di bloccaggio della profondità della lama e della regolazione del bisello devono essere strette e fissate in modo ben saldo prima di effettuare il taglio.**

Se la regolazione della lama dovesse cambiare durante il taglio, si potrebbero verificare l'inceppamento e il contraccolpo della sega.

- 7) **Fare particolare attenzione quando si deve effettuare un taglio "a tuffo" in pareti esistenti o altre aree cieche.**




La lama sporgente può tagliare degli oggetti che possono causare dei contraccolpi.

## Istruzioni di sicurezza per questo tipo di sega

- 1) **Prima dell'uso, verificare che la protezione inferiore si chiuda correttamente. Non usare la sega se la protezione inferiore non si muove liberamente e si chiude istantaneamente. Non serrare o fissare la protezione inferiore nella posizione di apertura.**  
Se la sega dovesse cadere accidentalmente, la protezione inferiore si può piegare. Sollevare la protezione inferiore con la leva di ritorno ed assicurarsi che il movimento della stessa sia libero e privo di interferenze con la lama o con le altre parti, in ogni angolo e ad ogni profondità del taglio.
- 2) **Controllare il funzionamento della molla della protezione inferiore. Se la protezione e la molla non dovessero funzionare correttamente, occorre farle riparare prima dell'uso.**  
La protezione inferiore può funzionare in modo lento per via di parti danneggiate, depositi di prodotti gommosi o sporcizia.
- 3) **La protezione inferiore deve essere ritirata manualmente solo per i tagli particolari, quali "tagli a tuffo" e "tagli composti". Sollevare la protezione inferiore usando la leva di ritorno della protezione inferiore. Appena la lama entra nel materiale, occorre rilasciare la protezione inferiore.**  
Per tutti gli altri lavori, la protezione inferiore deve funzionare in modo automatico.
- 4) **Verificare sempre che la protezione inferiore copra la lama prima di posare la sega sul banco o al suolo.**  
Una lama non protetta può far sì che la sega giri all'indietro, tagliando così qualunque cosa trovi. Tenere in considerazione il tempo richiesto per l'arresto della lama dopo il rilascio dell'interruttore.
- 5) **Non utilizzare mole abrasive.**
- 6) **Indossare una maschera antipolvere, nel caso in cui il lavoro da eseguire generi della polvere.**
- 7) **Utilizzare lame per seghe indicate dal Produttore.**
- 8) **Utilizzare delle protezioni uditive, in caso di utilizzo prolungato dell'attrezzo.**
- 9) **Il rischio di contraccolpo aumenta man mano che il pacco batteria si scarica.**
- 10) **Analizzare attentamente il materiale. Evitare di tagliare altri materiali.**
- 11) **Evitare di far cadere l'attrezzo.**
- 12) **Non far roteare l'attrezzo.**
- 13) **Non coprire mai le fessure di ventilazione ed evitare che vi si depositino polvere o altri materiali.**

- 14) **Non stringere l'attrezzo in una morsa. Non usare mai l'attrezzo tenendolo rovesciato in una morsa. Questa posizione è estremamente pericolosa e può provocare gravi incidenti.**
- 15) **Non indossare mai guanti lavorati a maglia.**
- 16) **Assicurarsi che nessuno si trovi al di sotto di voi durante l'uso dell'attrezzo in luoghi elevati.**
- 17) **Non toccare la lama subito dopo averla usata. Potrebbe essere calda e scottare la pelle.**
- 18) **Non toccare il materiale subito dopo il taglio. Potrebbe essere molto caldo.**
- 19) **Non impiegare olio da taglio. L'uso di tale sostanza potrebbe provocare degli incendi.**
- 20) **Non tagliare pezzi coperti o macchiati di gas, olio, solventi, diluenti, ecc.**  
L'esposizione a questi tipi di materiale potrebbe danneggiare la protezione trasparente.
- 21) **Non rimuovere la protezione trasparente né la protezione inferiore. In caso di danneggiamento o smarrimento della protezione trasparente o della protezione inferiore, far riparare l'utensile presso un centro assistenza autorizzato.**
- 22) **Non avviare il funzionamento della lama mentre essa è a contatto con il pezzo da lavorare. Prima di iniziare il taglio, attendere che la lama raggiunga la velocità massima.**

## Simbolo

Simbolo	Significato
V	Volt
	Corrente continua
$n_0$	Nessuna velocità del carico
$\dots \text{ min}^{-1}$	Giri o reciprocazioni
A	Ampères
	Per ridurre il pericolo di lesioni, è necessario leggere e comprendere il manuale di istruzioni.
	Solo per uso interno.

### ⚠ **AVVERTIMENTO**

- Usare esclusivamente i pacchi batteria Panasonic progettati per l'uso con questo attrezzo ricaricabile.
- La Panasonic non sarà responsabile per eventuali danni o incidenti causati dall'uso di un pacco batteria riciclato e/o contraffatto.
- Non smaltire il pacco batteria in falò, né esporlo a calore eccessivo.
- Non avvitare chiodi o simili nel pacco batteria, non sottoporlo ad urti, non disassemblarlo, né tentare di modificarlo.
- Impedire che oggetti metallici vengano a contatto con i terminali del pacco batteria.
- Non trasportare, né conservare il pacco batteria nello stesso contenitore di chiodi od oggetti metallici simili.
- Non caricare il pacco batteria in luoghi con alte temperature, come vicino al fuoco o alla luce diretta del sole. In caso contrario, la batteria potrebbe surriscaldarsi, incendiarsi, o esplodere.
- Usare esclusivamente l'apposito caricabatteria per caricare il pacco batteria. In caso contrario, la batteria potrebbe presentare fughe, surriscaldarsi, o esplodere.
- Dopo aver rimosso il pacco batteria dall'attrezzo o dal caricabatteria, rimontare sempre il coperchio del pacco batteria. In caso contrario, i contatti della batteria potrebbero andare in cortocircuito, con conseguente rischio d'incendio.
- Se il pacco batteria risulta deteriorato, sostituirlo con uno nuovo.  
L'uso prolungato di un pacco batteria danneggiato può generare calore, danni e incendi.

1. Per collegare il pacco batteria (Vedere la fig. 2)  
Allineare le marcature evidenziate e installare il pacco batteria.
  - Far scorrere il pacco batteria finché non si blocca in posizione.

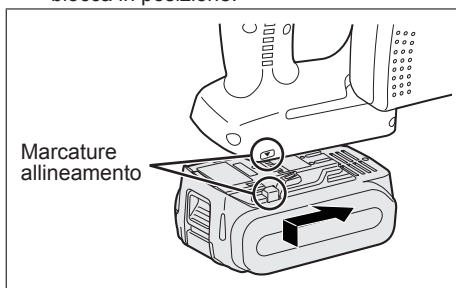


Fig. 2

2. Per rimuovere il pacco batteria (Vedere la fig. 3)  
Premere il pulsante in giù e far scorrere il pacco batteria in avanti.

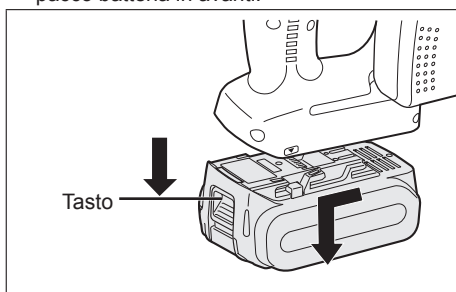


Fig. 3

## III. MONTAGGIO

### Applicazione o rimozione del pacco batteria

#### PRECAUZIONE:

Prima di inserire il pacco batteria, controllare che l'interruttore di accensione dell'attrezzo si azioni correttamente e che ritorni nella posizione "OFF" quando lo si rilascia.

# V. FUNZIONAMENTO

## Prima di usare l'attrezzo

Questo utensile è stato progettato per il taglio di materiali ferrosi non temprati, materiali non ferrosi, legno e plastica. Fare riferimento al paragrafo "Accessori" per consultare la lista delle lame da impiegare con questo utensile in base alle diverse applicazioni. Al fine di ridurre il rischio di lesioni, attenersi alle seguenti precauzioni:

- Non tagliare materiale impilato. Tagliare un pezzo alla volta.
- Non tagliare acciaio duro.
- Tagliare i materiali con il bordo più largo del pattino posto sopra il lato fissato del materiale.
- Non toccare a mani nude la lama della sega, il pezzo da lavorare o le schegge immediatamente dopo il taglio; potrebbero essere caldi e scottare la pelle.

Ogniquale volta viene usato l'attrezzo, assicurarsi che sia in buone condizioni operative.

Usare la seguente lista di controllo:

1. La lama è stata installata nella direzione giusta? La freccia della lama deve puntare nella stessa direzione della freccia posta sul coperchio della lama superiore.
2. La lama è stata installata correttamente? Assicurarsi che il bullone esagonale sia ben serrato. (Vedere la fig. 6)
3. La lama sembra sana? Sostituire la lama immediatamente se fosse spaccata oppure se ci sono dei denti rotti.
4. La protezione inferiore si chiude correttamente?

### ⚠ AVVERTIMENTO

Per evitare lesioni personali, non usare l'attrezzo se la protezione inferiore non si dovesse chiudere rapidamente sulla lama.

5. La protezione trasparente è stata installata saldamente?
6. Il pacco batteria è carico e ben inserito nell'attrezzo?
7. Il dado di regolazione della profondità usato per il taglio è fissato saldamente?
8. Il pezzo da lavorare è fissato saldamente al cavalletto o al banco della sega?
9. Il raccogli-polvere o il coperchio anteriore sono ostruiti a causa della polvere?

10. Utilizzare soltanto la lama con velocità nominale superiore a quella dell'unità principale. La lama potrebbe danneggiarsi se viene utilizzata al di sotto della velocità nominale dell'unità principale.

Sbloccare il tasto di blocco sul coperchio anteriore e rimuovere l'eventuale polvere che si è accumulata all'interno del coperchio. Se il coperchio è ostruito, usare un oggetto lungo, ad esempio un cacciavite manuale, per liberarlo. Dopodiché, chiudere il coperchio anteriore. (Vedere la fig. 4)

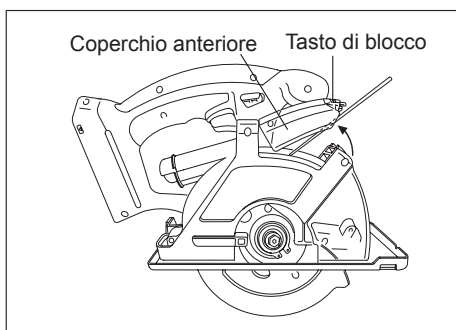


Fig. 4

Se è presente della polvere nel raccogli-polvere, sbloccare il tasto di blocco del raccogli-polvere, estrarre il raccogli-polvere e rimuovere la polvere. Dopodiché, rimontare il raccogli-polvere. (Vedere la fig. 5)

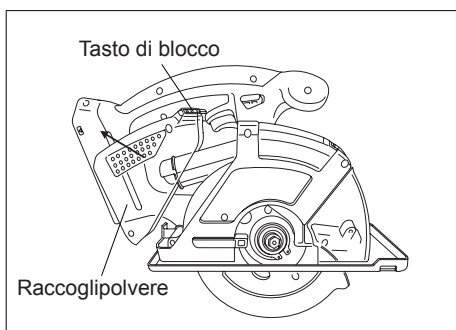


Fig. 5

## Installazione della lama

### Procedere come segue:

1. Rimuovere il pacco batteria dall'attrezzo.
2. Rimuovere i frammenti di metallo dalla lama.
3. Usare la leva di ritorno per aprire la protezione inferiore.
4. Installare la lama seguendo l'illustrazione qui sopra. (Vedere la fig. 6)  
Asegúrese que la dirección en la cuchilla y la flecha de dirección en el protector transparente apunten en la misma dirección.
5. Installare la rondella esterna nella posizione giusta.
6. Inserire il bullone esagonale.
7. Tenere il tasto di blocco albero premuto. Questo serve ad evitare la rotazione della lama.
8. Serrare il bullone esagonale in modo ben saldo, usando la chiave esagonale in dotazione.

### NOTA:

Lasciare la chiave esagonale nella fessura di custodia posta sul telaio della cesoia, quando la stessa non viene usata.

### ⚠ AVVERTIMENTO

L'inosservanza di queste istruzioni può causare gravi lesioni fisiche.

## Rimozione della lama

### PRECAUZIONE:

La lama rimane calda immediatamente dopo il taglio. Assicurarsi di far raffreddare la lama prima di rimuovere la stessa.

### Procedere come segue:

1. Rimuovere il pacco batteria dall'attrezzo.
  2. Tenere il tasto di blocco albero premuto. Questo serve ad evitare la rotazione della lama.
  3. Usare la chiave esagonale in dotazione per allentare il bullone esagonale.
- ### NOTA:
- Tenere la chiave esagonale nella fessura di custodia posta sul telaio della cesoia quando non la si usa.
4. Rimuovere il bullone esagonale e la rondella esterna.
  5. Usare la leva di ritorno per aprire la protezione inferiore.
  6. Rimuovere la lama delicatamente.
  7. Pulire l'attrezzo se necessario.

### PRECAUZIONE:

Fare attenzione a non tagliarsi le mani sulla lama.

- Quando si deve gettare via una lama, avvolgere la stessa in carta molto spessa o cartone ondulato. Questo serve per prevenire eventuali tagli se qualcuno dovesse toccare la lama.

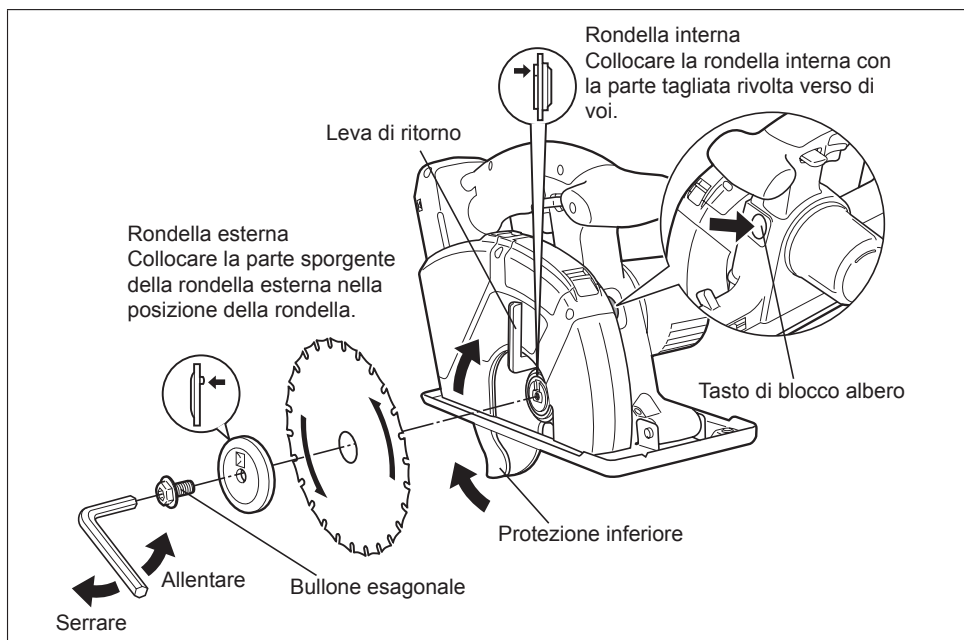


Fig. 6



## Uso dell'Attrezzo

### PRECAUZIONE:

Onde ridurre il rischio di lesione, leggere le Istruzioni di Sicurezza contenute nel presente manuale, prima di utilizzare l'attrezzo.

### ⚠AVVERTIMENTO

Onde ridurre il rischio di lesione, indossare occhiali protettivi od occhiali con schermature laterali durante l'uso della cesoia. Inoltre, indossare una maschera antipolvere durante il taglio di materiali che generano una quantità eccessiva di particolato. Non usare la cesoia sotto la pioggia. In caso contrario, si potrebbe produrre un'elettrocuzione o la cesoia potrebbe emettere del fumo.

Non tagliare materiali sui quali si trovano solventi per vernici, benzina, olio, o accumuli simili. In caso contrario il raccogli-polvere potrebbe rompersi e provocare così lesioni.

### Seguire i punti sotto riportati:

Tenere l'attrezzo con ambedue le mani. (Vedere la fig. 8) Non tentare di togliere il materiale tagliato mentre la lama è ancora in movimento.

1. Allineare la linea visiva sul pattino con la linea di taglio. (Vedere la fig. 7)

### Allineamento con la linea di taglio

- Posizionare la tacca sul pattino sopra la linea di taglio, allineando gli angoli superiore ed inferiore dell'apertura a forma di diamante con la linea.

Dal momento che la posizione di taglio può differire a seconda della lama, fare un taglio di prova prima di procedere.

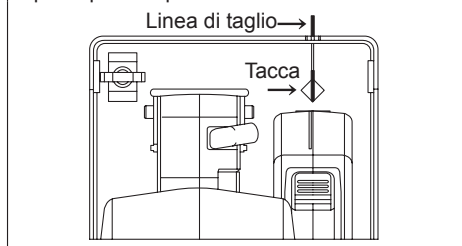


Fig. 7

2. Premere la levetta di blocco interruttore verso il basso, poi premere l'interruttore di accensione per avviare il motore e quindi rilasciare la levetta di blocco interruttore.

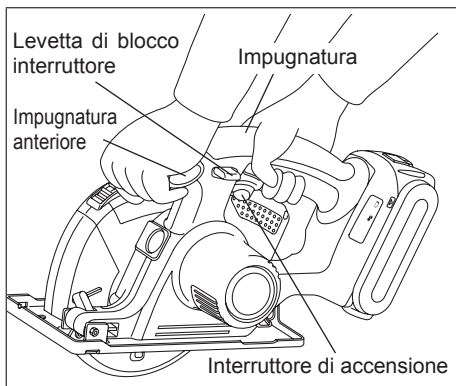


Fig. 8

### PRECAUZIONE:

- Controllate che la levetta di blocco interruttore funzioni.

Se l'interruttore di accensione può essere attivato senza dover premere la levetta di blocco interruttore, interrompete immediatamente l'uso. Portate l'attrezzo ad un centro di assistenza tecnica autorizzato.

- Afferrate sempre il manico con una mano e l'impugnatura frontale con l'altra mano. (Vedere la fig. 8) Afferrate in modo ben saldo e premete la levetta in modo completo.
- La lama non deve toccare il materiale da tagliare prima che abbiate avviato il motore. Attendete che la lama abbia raggiunto piena velocità prima di iniziare a tagliare.
- Non è possibile bloccare l'interruttore di accensione nella posizione "ON", perciò non si deve mai tentare di bloccarlo in posizione "ON".

3. Iniziare il taglio quando la lama avrà raggiunto la velocità massima.

### PRECAUZIONE:

- Per impedire una reazione durante l'avvio dell'operazione, la lama si avvia a velocità ridotta (Soft start)
4. Durante il lavoro, tenere la linea di taglio dritta. Spingere l'attrezzo in avanti con una velocità regolare, osservando la punta della lama attraverso la protezione trasparente.

### ⚠AVVERTIMENTO

- Al fine di evitare contraccolpi pericolosi, tenere il pattino dell'attrezzo aderente alla superficie del materiale in fase di lavorazione.
- Non premere mai l'attrezzo con forza. Usare una pressione leggera e costante.

5. Se il motore sembra troppo riscaldato, interrompere il lavoro. Lasciare che l'attrezzo si raffreddi prima di continuare il lavoro.
6. E' consigliabile rimuovere il pacco batteria dopo l'uso e prima di riporre l'attrezzo.

## Regolazione della profondità del taglio

- Rimuovere il pacco batteria.
- Allentare il dado di regolazione della profondità e regolare la profondità di taglio, usando le graduazioni sulla protezione inferiore per misurare la profondità. Una volta finito di regolare la profondità, serrare saldamente il dado di regolazione della profondità.
- \* Se il materiale di legno ha uno spessore di 10 mm (3/8") o inferiore, regolare la profondità di taglio in modo che la lama esca di circa 5 mm (3/16") dal fondo del materiale.

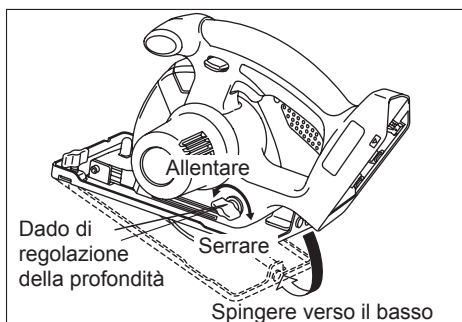


Fig. 9

## Guida pezzo (EY3500B7727)

(Disponibile come accessorio, non in dotazione)  
La guida pezzo si dimostra utile nei tagli a pezzo e nei tagli ripetuti di ampiezza uniforme.

- Rimuovere il pacco batteria.
- Inserire la guida pezzo e regolare la larghezza di taglio. (Vedere la fig. 10)
- Fissare saldamente la vite per bloccare la guida pezzo.

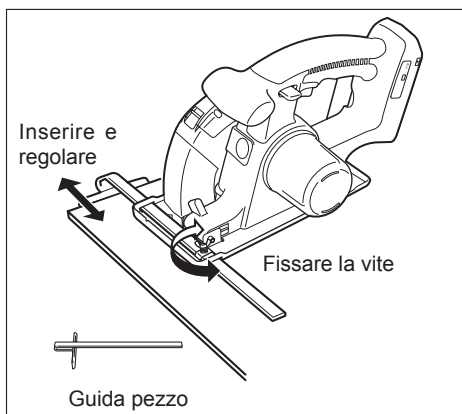


Fig. 10

## Raccolta della polvere

### ⚠ AVVERTIMENTO

- \* Prima di tagliare materiali metallici, vuotare sempre il raccogli-polvere, aprire il coperchio anteriore e rimuovere la polvere.
- Usare la cesoia con materiali infiammabili nel raccogli-polvere per tagliare materiali metallici potrebbe provocare un incendio.
- \* Durante il taglio di materiali metallici, usare sempre la cesoia con il raccogli-polvere montato.
- Scintille nell'aria e schegge di metallo potrebbero provocare lesioni.
- \* Durante il taglio di materiali metallici, non collegare l'aspirapolvere. Scintille e schegge di metallo caldo potrebbero causare l'incendio dell'aspirapolvere. Usare l'aspirapolvere seguendo le sue istruzioni.

(1) Raccogliere la polvere nel raccogli-polvere.

- \* Vuotare il raccogli-polvere quando è pieno di polvere.
- \* Vuotare il raccogli-polvere prima di riporre la cesoia.
- \* Capacità raccogli-polvere
  - Durante il taglio di condotti elettrici con diametro di 25 mm (1"), circa 130 tagli
  - Durante il taglio di legname 45 mm (1-25/32") x 45 mm (1-25/32"), circa 150 tagli

### NOTA:

Alcuni materiali possono far sì che la polvere si accumuli nel coperchio anteriore durante il taglio.

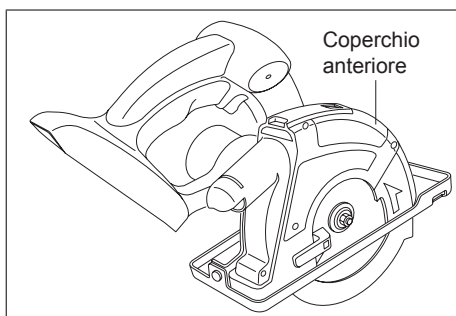


Fig. 11

(2) Uso dell'aspirapolvere per raccogliere la polvere.

\* Collegare la cesoia al tubo flessibile usando l'adattatore per tubo flessibile dell'aspirapolvere EY9X012E (venduto separatamente).

Diametro interno tubo flessibile compatibile: da 25 mm (1") a 38 mm (1-2/1")

\* Usare l'aspirapolvere seguendo le sue istruzioni.

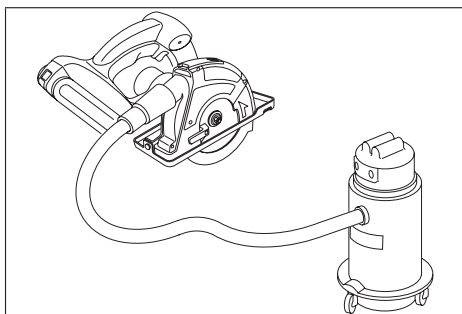


Fig. 12

**NOTA:**

Difficoltà della cesoia nell'espulsione o nella raccolta di polvere, la presa della polvere potrebbe essere ostruita dalla polvere. Aprire il coperchio anteriore e rimuovere l'eventuale polvere.

### Luce LED

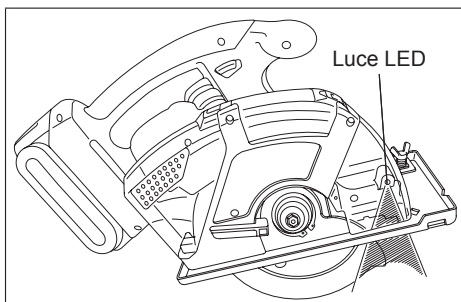


Fig. 13

La luce LED si illumina quando l'interruttore di accensione viene premuto e si spegne quando l'interruttore di accensione viene rilasciato.

• La luce illumina grazie ad un consumo minimo e non influenza negativamente la prestazione dell'avvitatore, né la capacità della batteria.

**PRECAUZIONE:**

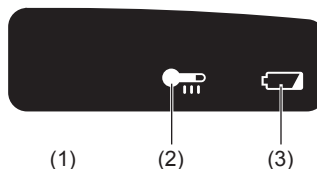
• La luce LED incorporata è stata realizzata per l'illuminazione temporanea di un'area di lavoro ridotta.

• Non utilizzarla in sostituzione di una luce normale: la luminosità sarà insufficiente.

**Precauzione: NON FISSARE DIRETTAMENTE IL RAGGIO**

L'utilizzo di comandi, regolazioni e l'attuazione di istruzioni diversi da quelli qui riportati potrebbero provocare un'esposizione pericolosa alle radiazioni.

### Pannello di controllo



#### (1) Spia avvertenza surriscaldamento



La funzione di protezione da surriscaldamento interrompe il funzionamento dell'attrezzo per proteggere il pacco batteria in caso di surriscaldamento. Quando questa funzione è attiva, sul pannello di controllo lampeggia la spia di avvertenza da surriscaldamento.

• Se si attiva la protezione da surriscaldamento, lasciare raffreddare completamente l'attrezzo (per almeno 30 minuti). Quando la spia di avvertenza da surriscaldamento si spegne, l'attrezzo sarà pronto per l'uso.

• Evitare un uso dell'attrezzo che porti all'attivazione ripetuta della protezione da surriscaldamento.

• Se l'utensile viene utilizzato in condizioni di temperature molto basse (ad esempio in inverno) o viene utilizzato con intervalli frequenti, la funzione di protezione da surriscaldamento potrebbe non attivarsi.

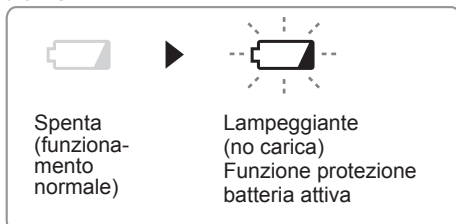
Le prestazioni del modello EY9L42 diminuiscono notevolmente a temperature pari e al di sotto di 10 °C a causa delle condizioni operative e altri fattori.

• La temperatura ambientale si deve aggirare tra 0 °C (32 °F) e 40 °C (104 °F).

Se il pacco batteria è usato quando la temperatura è al di sotto di 0 °C (32 °F), lo strumento smetterà di funzionare correttamente.

- Per caricare un pacco batteria freddo (al di sotto di 0 °C (32 °F)) in un luogo caldo, lasciare il pacco batteria nel locale per oltre un'ora per permettere allo stesso di raggiungere la temperatura ambiente.

## (2) Spia avvertenza batteria scarica



Lo scaricarsi eccessivo (totale) delle batterie a ioni di litio diminuisce drasticamente la loro autonomia. L'attrezzo è dotato di una funzione di protezione della batteria realizzata per evitare lo scaricarsi eccessivo del pacco batteria.

- La funzione di protezione della batteria si attiva immediatamente prima che la batteria perda la carica, così da far lampeggiare la spia di avvertenza batteria scarica.
- Se si nota la spia di avvertenza batteria scarica, caricare immediatamente il pacco batteria.
- Se la carica residua della batteria è molto ridotta, il prodotto potrebbe smettere di funzionare senza che la spia di avvertenza che segnala la riduzione della carica lampeggi. Ciò indica che l'alimentazione è insufficiente e che il pacco batteria deve essere caricato prima di continuare l'uso.
- Se il prodotto viene sottoposto a improvviso sforzo con conseguente blocco del motore, il sensore che previene l'eccessiva scarica potrebbe attivarsi e la spia di avvertenza che segnala la riduzione della carica potrebbe lampeggiare. La spia smetterà di lampeggiare quando la causa del blocco del motore sarà stata risolta e il ciclo riattivato.

### PRECAUZIONE:

La funzione di protezione da surriscaldamento funziona anche quando la spia avvertenza batteria scarica e la luce LED lampeggiano.

- Caricare immediatamente il pacco batteria poiché la batteria si sta scaricando.
- Durante il caricamento di un pacco batteria freddo (al di sotto di 0 °C (32 °F)) in un luogo caldo, lasciare il pacco batteria nel locale e attendere più di un'ora per scaldare la batteria al livello della temperatura ambiente.

- Diminuire e interrompere l'alimentazione applicata poiché la tensione della batteria calerà a causa del carico elevato sul motore. Non eseguire operazioni che causeranno la ripetuta attivazione della funzione di protezione da surriscaldamento.

## Per un corretto utilizzo (ulteriori informazioni)

### ⚠AVVERTIMENTO

Onde evitare il rischio di lesioni fisiche gravi:

- È importante usare un utensile appropriato per tenere correttamente il materiale da lavorare ed è ugualmente importante tenere la cesoia ferma con ambedue le mani per prevenire l'eventuale perdita del controllo della stessa, che potrebbe causare lesioni personali.
  - La figura 14 mostra la giusta posizione di lavoro.
  - Osservare che le mani siano lontane dell'area del taglio.
  - Assicurarsi che le persone circostanti vengano allontanate dall'area di lavoro e dalla parte sottostante il pezzo da lavorare.
  - Durante il taglio, non tentare di tenere il materiale con le mani.

### Taglio di pannelli di grandi dimensioni

Sostenere i pannelli di grandi dimensioni. Assicurarsi di regolare la profondità del taglio in modo tale da tagliare solo il pezzo da lavorare e non i sostegni. (Vedere la fig. 15)

I pannelli di grandi dimensioni tendono ad abbassarsi o a piegarsi se non vengono sostenuti in modo adeguato. Qualora si tenti di tagliare senza livellare e sostenere opportunamente il pezzo da lavorare, la lama tenderà ad incepparsi, causando contraccolpi. (Vedere la fig. 16)

- Non sostenere il materiale in una posizione lontana dal taglio.

### Taglio di materiali sottili od ondulati:

Tagliare i materiali sottili od ondulati almeno a 2,5 cm (1") dal bordo del pezzo da lavorare in modo da evitare lesioni o danni all'attrezzo causati da pezzetti di metallo che s'infilano nella protezione superiore.

- Usare solo lame affilate. Lame pulite e affilate riducono al minimo il rischio di arresti e contraccolpi.

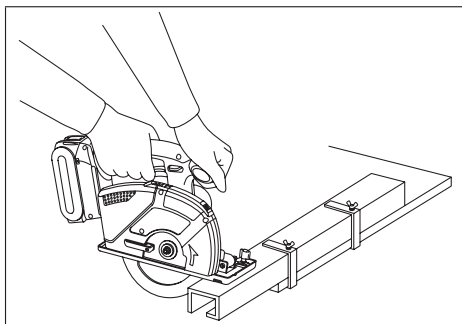


Fig. 14

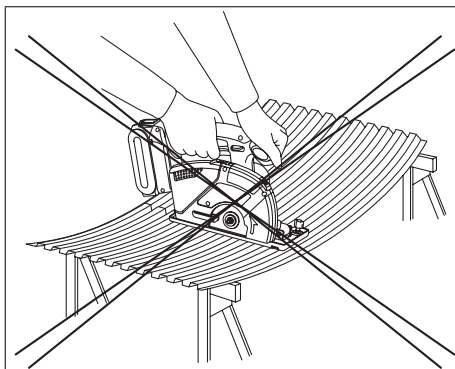


Fig. 16

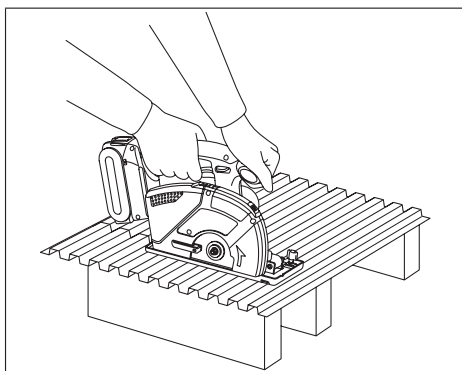


Fig. 15

### **⚠AVVERTIMENTO**

Onde evitare il rischio di lesioni fisiche gravi:

- Quando il taglio è incompleto, l'operazione si interrompe, la lama si grappa o la cesoia si blocca, rilasciare immediatamente l'interruttore di accensione e lasciare la cesoia immobile nel materiale finché la lama non si ferma completamente.
- Per evitare il contraccolpo, non cercare mai di rimuovere la cesoia dal pezzo da lavorare o di tirare la cesoia all'indietro mentre la lama è in movimento. Assicurarsi che la lama sia completamente ferma, poi rimuovere la cesoia dal pezzo in lavorazione.
- Per riprendere il lavoro, accendere la cesoia, attendere finché la lama non avrà raggiunto la velocità massima, reinserire la lama nel taglio lentamente e continuare l'operazione.

1. Collocare la parte più ampia del pattino sulla parte del pezzo da lavorare tenuta in modo stabile (vedere la fig. 17), mai sulla sezione che cadrà al termine del taglio (vedere la fig. 18). Tenere la cesoia in modo ben fermo per prevenire la perdita del controllo della stessa. Un lavoro negligente può causare gravi lesioni personali.

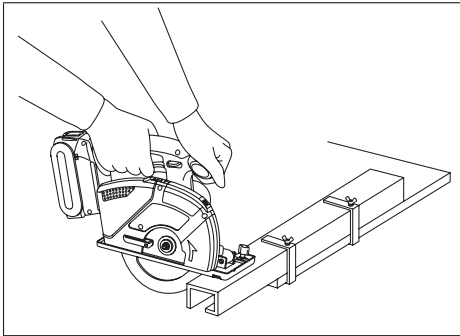


Fig. 17

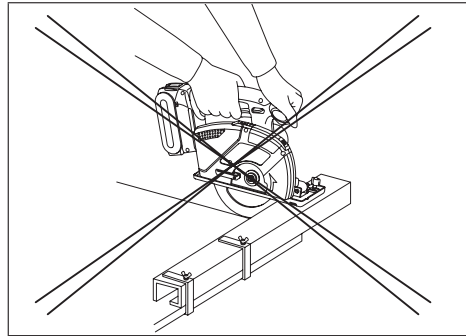


Fig. 18

2. Assicurarsi che la lama si arresti.  
Anche se l'attrezzo è stato dotato di un freno, controllare sempre che la lama sia completamente ferma e che la protezione della lama inferiore sia chiusa prima di mettere giù l'attrezzo.
3. Non usare la cesoia in caso di anomalità. Rimuovere il pacco batteria immediatamente.  
Se il telaio dell'attrezzo per metallo diventa molto caldo o non funziona correttamente, rimuovere il pacco batteria e non usare l'utensile. Farlo controllare presso un centro di assistenza tecnica autorizzato.

#### ⚠ **AVVERTIMENTO**

Onde evitare il rischio di lesioni fisiche gravi od incendio, non cercare di effettuare lavori di riparazione dell'attrezzo. Non smontare o modificare il telaio dell'attrezzo. L'utensile non contiene componenti che possano essere riparati dall'utilizzatore.

4. **EVITARE OGNI CONTATTO TRA LA CESOIA E IL VOSTRO CORPO.**  
Dopo aver effettuato un taglio, assicurarsi che la cesoia non possa sfiorare le gambe o i fianchi. Poiché la protezione inferiore è retrattile, si potrebbe inceppare nei vestiti ed esporre la lama. Tenere i vestiti lontani dall'attrezzo. Tenere sempre in mente le sezioni dove la lama è esposta nelle aree delle protezioni superiore ed inferiore.

#### ⚠ **AVVERTIMENTO**

Dato che il taglio dei metalli genera scintille;

- Indossare sempre gli occhiali di protezione.
- Non usare l'attrezzo nella vicinanza di sostanze infiammabili o in un'area dove vengono usate tali sostanze. Altrimenti si possono verificare incendi e scottature.

5. Non attivare mai il blocco albero mentre gira la lama, né cercare di arrestare l'attrezzo forzatamente. Non accendere mai l'interruttore principale quando il blocco albero è stato attivato, altrimenti si possono verificare gravi danni all'attrezzo.

## [Pacco batteria] Per un uso corretto del pacco batteria

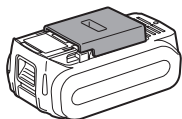
### Pacco batteria Li-ion

- Per una conservazione ottimale della batteria, riporre il pacco batteria agli ioni di litio dopo l'uso senza ricaricarlo.
- Quando il pacco batteria viene caricato, assicurarsi che i terminali sul caricabatteria siano privi di sostanze estranee, quali polvere, acqua, ecc. Pulire i terminali prima di caricare il pacco batteria, qualora vengano trovate sostanze estranee sui terminali.

La durata dei terminali del pacco batteria può essere influenzata da sostanze estranee, quali polvere, acqua, ecc. durante il funzionamento.

- Quando il pacco batteria non viene usato, tenerlo lontano da altri oggetti metallici come: clip, monetine, chiavi, chiodi, viti o altri piccoli oggetti metallici che potrebbero creare un collegamento da un terminale all'altro.  
Cortocircuitare i terminali del pacco batteria potrebbe causare scintille, ustioni oppure un incendio.
- Quando si usa il pacco batteria, assicurarsi che il luogo di lavoro sia ben ventilato.

- Quando si rimuove il pacco batteria dall'alloggiamento principale dell'utensile, riposizionare immediatamente il coperchio del pacco batteria, onde evitare che polvere e sporizia contaminino i terminali della batteria e causino un cortocircuito.



## Durata del pacco batteria

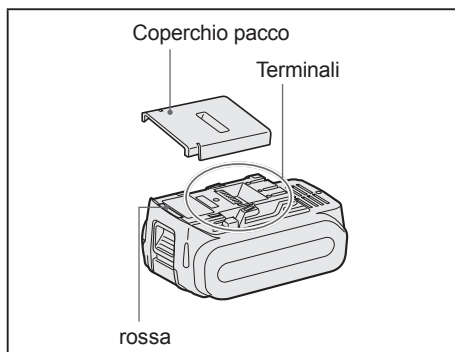
Le batterie ricaricabili posseggono una durata limitata. Se il tempo di funzionamento diventa estremamente breve dopo la ricarica, sostituire il pacco batteria con uno nuovo.

## Riciclo batteria

### ATTENZIONE:

Per ragioni relative alla protezione dell'ambiente e al riciclaggio dei materiali, assicurarsi che lo smaltimento del prodotto avvenga in un luogo ufficialmente preposto a tale fine (ammesso che esista nell'area dell'utente).

## Precauzioni d'uso



## Assicurarsi di usare il coperchio del pacco batteria

- Quando il pacco batteria non viene usato, conservare la batteria in modo che sostanze estranee, quali polvere, acqua, ecc non contaminino i terminali. Assicurarsi di applicare il coperchio al pacco batteria per proteggere i terminali della batteria.

- Quando il pacco batteria viene caricato, assicurarsi che i terminali sul caricabatteria siano privi di sostanze estranee, quali polvere, acqua, ecc. Pulire i terminali prima di caricare il pacco batteria, qualora vengano trovate sostanze estranee sui terminali.

La durata dei terminali del pacco batteria può essere influenzata da sostanze estranee, quali polvere, acqua, ecc. durante il funzionamento.

### ⚠ PRECAUZIONE:

Per proteggere il motore o la batteria, tenere presente quanto segue nell'esecuzione del lavoro.

- In caso di surriscaldamento, la funzione di protezione si attiverà e la batteria smetterà di funzionare.

La spia avvertenza surriscaldamento sul pannello di controllo si illumina o lampeggia quando questa funzione è attiva.

### Per un utilizzo sicuro

- Il pacco batteria è stato ideato per essere installato tramite una procedura a due fasi per motivi di sicurezza. Prima dell'uso, verificare che il pacco batteria sia inserito correttamente nell'unità principale.
- Quando il pacco batteria non è ben collegato, la spia avvertenza surriscaldamento e la spia avvertenza batteria scarica lampeggiano per indicare che il funzionamento sicuro non è possibile e l'apparecchio non fa ruotare l'unità principale come di consueto anche se l'interruttore è bloccato. Collegare il pacco batteria nell'unità dell'utensile fino alla scomparsa dell'etichetta rossa o gialla.

## [Caricabatterie]

## Ricarica

### PRECAUZIONE:

- Il caricabatteria è progettato per il funzionamento esclusivamente con un'alimentazione elettrica domestica standard come indicato sulla targhetta dei valori. Caricare soltanto alla tensione indicata sulla targhetta dei valori dell'unità, es. 230V/50Hz.
- Non tentare l'uso con qualsiasi altra tensione o frequenza nominale!

- Qualora la temperatura del pacco batteria scendesse all'incirca al di sotto dei  $-10\text{ }^{\circ}\text{C}$  ( $14\text{ }^{\circ}\text{F}$ ), la ricarica s'interrompe automaticamente per impedire la degradazione della batteria.
- Non caricare il pacco batteria la cui temperatura sia inferiore ai  $0\text{ }^{\circ}\text{C}$ .
- Per caricare un pacco batteria freddo (al di sotto di  $0\text{ }^{\circ}\text{C}$  ( $32\text{ }^{\circ}\text{F}$ )) in un luogo caldo, lasciare il pacco batteria nel locale per oltre un'ora per permettere allo stesso di raggiungere la temperatura ambiente.
- Lasciate raffreddare il caricatore quando caricate più di due pacchi batterie consecutivamente.
- Non infilate le dita nel foro di contatto per tenere in mano il caricabatterie o altro scopo.

### **⚠ PRECAUZIONE:**

Onde evitare il rischio d'incendio o il danneggiamento del caricabatteria:

- Non coprite le prese d'aria di caricabatteria e pacco batteria.
- Scollegare il caricabatteria se non in uso.

#### **NOTA:**

Al momento dell'acquisto, il pacco batteria non è carico. Assicurarsi di caricare la batteria prima dell'uso.

### Modalità di caricamento

1. Collegare il caricatore alla presa di corrente.

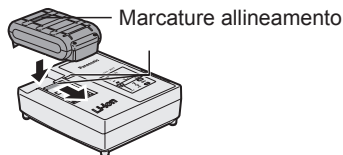
#### **NOTA:**

Potrebbero presentarsi delle scintille quando la spina viene inserita nell'alimentazione CA, ma questo non pone un problema in termini di sicurezza.

2. Inserire il pacco batteria saldamente nel caricabatteria.

- 1 Allineare le marcature e collocare la batteria nel raccordo del caricatore.

- 2 Far scorrere nella direzione indicata dalla freccia.



3. Durante il caricamento, la spia di carica si illumina.

Quando la ricarica è stata completata, un interruttore elettronico interno scatta automaticamente per evitare la sovraccarica.

- La ricarica non avviene se il pacco batteria è caldo (per esempio, subito dopo l'uso per un lavoro pesante).

La spia di standby arancione lampeggia mentre la batteria si sta raffreddando.

La ricarica comincia poi automaticamente.

4. La spia di carica (verde) lampeggia lentamente quando la batteria è carica per l'80% circa.

5. A ricarica completata, la spia verde si spegne.

6. Qualora la temperatura del pacco batteria raggiunga gli  $0\text{ }^{\circ}\text{C}$  o meno, il tempo di ricarica è maggiore rispetto al tempo di ricarica normale.

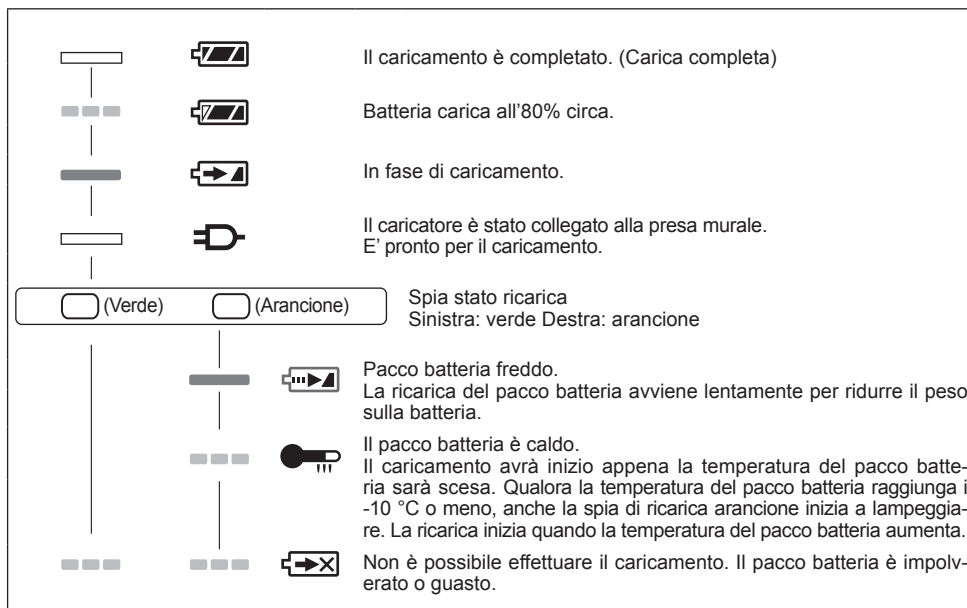
Anche a batteria completamente carica, l'utensile dispone di circa il 50% dell'energia di cui dispone una batteria carica alla temperatura di esercizio normale.

7. Se la spia di carica (verde) non si spegne, rivolgersi a un rivenditore autorizzato.

8. Se un pacco batteria completamente ricaricato viene inserito di nuovo nel caricabatteria, la spia di carica si illumina. Dopo alcuni minuti, la spia di carica verde si spegnerà.



## Segnali spia



Spenta

Accesa

Lampeggia

## Informazioni per gli utenti sulla raccolta e l'eliminazione di vecchie apparecchiature e batterie usate



Questi simboli sui prodotti, sull'imballaggio, e/o sulle documentazioni o manuali accompagnanti i prodotti indicano che i prodotti elettrici, elettronici e le batterie usate non devono essere buttati nei rifiuti domestici generici.



Per un trattamento adeguato, recupero e riciclaggio di vecchi prodotti e batterie usate, vi preghiamo di portarli negli appositi punti di raccolta, secondo la legislazione vigente nel vostro Paese e le Direttive 2002/96/EC e 2006/66/EC.



Smaltendo correttamente questi prodotti e le batterie, contribuirete a salvare importanti risorse e ad evitare i potenziali effetti negativi sulla salute umana e sull'ambiente che altrimenti potrebbero verificarsi in seguito ad un trattamento inappropriato dei rifiuti.

Per ulteriori informazioni sulla raccolta e sul riciclaggio di vecchi prodotti e batterie, vi preghiamo di contattare il vostro comune, i vostri operatori per lo smaltimento dei rifiuti o il punto vendita dove avete acquistato gli articoli.

Sono previste e potrebbero essere applicate sanzioni qualora questi rifiuti non siano stati smaltiti in modo corretto ed in accordo con la legislazione nazionale.

## Per utenti commerciali nell'Unione Europea

Se desiderate eliminare apparecchiature elettriche ed elettroniche, vi preghiamo di contattare il vostro commerciante od il fornitore per maggiori informazioni.

## [Informazioni sullo smaltimento rifiuti in altri Paesi fuori dall'Unione Europea]

Questi simboli sono validi solo all'interno dell'Unione Europea. Se desiderate smaltire questi articoli, vi preghiamo di contattare le autorità locali od il rivenditore ed informarvi sulle modalità per un corretto smaltimento.

## V. MANUTENZIONE

### ⚠AVVERTIMENTO

Per evitare gravi lesioni personali, rimuovere sempre il pacco batteria dall'attrezzo prima di iniziare le procedure di manutenzione.

### PRECAUZIONE:

Per assicurare la SICUREZZA e l'AFFIDABILITÀ dell'utensile, affidare i lavori di assistenza tecnica ad un centro di assistenza tecnica autorizzato. Insistere affinché vengano impiegati solo ricambi originali della Panasonic.

### Pulizia dell'attrezzo

Tenere sempre l'attrezzo pulito per assicurare delle prestazioni ottimali in ogni momento e per garantire la sicurezza dello stesso.

### Procedere come segue:

1. Rimuovere il pacco batteria dall'attrezzo.
2. Strofinare l'attrezzo con un panno soffice ed asciutto. Non usare panni umidi o prodotti di pulizia.  
Poichè potrebbero danneggiare la rifinitura della cesoia.
3. Assicurarsi di rimuovere ogni traccia di olio o grasso dall'attrezzo, poiché tali sostanze potrebbero renderlo scivoloso o difficile da maneggiare.
4. Rimuovete la lama e spazzate ogni residuo di polvere.

### PRECAUZIONE:

- Per evitare lesioni personali o danni materiali dell'utensile, non immergere mai una parte dell'utensile in un liquido.
- Qualora l'interno del prodotto o del pacco batteria si bagni, togliere immediatamente l'acqua e fare asciugare il prima possibile. Rimuovere accuratamente la polvere e le limature di ferro accumulate nel prodotto. Se il prodotto presenta problemi di funzionamento, rivolgersi a un negozio di riparazioni.

### Protezione trasparente

### ⚠AVVERTIMENTO

Se la protezione è spaccata o rotta, bisogna consegnare l'attrezzo ad un centro di assistenza tecnica autorizzato per la sostituzione della protezione. Non cercare mai di usare la cesoia in tale condizione, altrimenti si potrebbero verificare gravi lesioni personali.

Non usare mai l'attrezzo con una protezione trasparente o senza aver installato la protezione. Le schegge possono causare gravi lesioni personali.

## VI. ACCESSORI

### ⚠AVVERTIMENTO

- L'uso di accessori non specificati in questo manuale può risultare in incendi, scossa elettrica o lesioni personali. Si raccomanda l'uso di solo gli accessori specificati.
- Se usate la lama su di un materiale più spesso o più sottile di quello raccomandato per quel tipo di lama, il taglio sarà rozzo e il rischio di rinculo o altre lesioni sarà maggiore.

Lama con Punta in Carburo per Metallo

- EY9PM13E

Per il taglio di materiale ferroso non temprato

Spessore del materiale

0,5 mm – 6,0 mm

Lama con Punta in Carburo per Metallo Sottile (Accessorio opzionale)

- EY9PM13F

Per il taglio di materiale ferroso sottile non temprato richiesto da spigoli taglienti e puliti

Spessore del materiale

0,5 mm – 6,0 mm

Lama con Punta in Carburo per Legno (Accessorio opzionale)

- EY9PW13C

Per il taglio del legno in generale

Lama con Punta in Carburo per Legno Sottile (Accessorio opzionale)

- EY9PW13D

Per il taglio del legno sottile richiesto da spigoli taglienti e puliti

Spessore del materiale consigliato: fino a 12 mm

Lama con Punta in Carburo per Plastica (Accessorio opzionale)

- EY9PP13C

Per il taglio della plastica

Spessore del materiale consigliato lastre di acrilico e di cloruro di vinile:

2,0 mm – 5,0 mm

lastre, tubi ondulati

0,8 mm – 5,0 mm

Adattatore tubo flessibile per aspirapolvere (Accessorio opzionale)

- EY9X012E

Guida Pezzo (Accessorio opzionale)

- EY3500B7727

Utile nei tagli a strappo e nei tagli ripetuti di ampiezza uniforme.

## VII. SPECIFICHE TECNICHE

### NOTA:

Indicazione del peso

Maggiore o uguale a 1kg: indicato da 0,05kg.

Less than 1kg : indicato da 0,01kg.

### APPARECCHIO PRINCIPALE

Modello N°	EY45A2				
Voltaggio del motore	DC 14,4 V		DC 18 V		
Velocità della lama	3600 rpm (min <sup>-1</sup> )		4500 rpm (min <sup>-1</sup> )		
Formato della lama Diametro esterno Formato dell'albero	135 mm 20 mm				
Profondità massima del taglio	0 - 46 mm (lama $\Phi$ 135 mm)				
Coppia massima	5,4 N•m		6,7 N•m		
Lunghezza totale	292 mm (solo unità principale)				
Peso	2,05 kg (solo unità principale)				
Pacchi batteria	Pacchi batteria agli ioni di litio				
	EY9L42	EY9L44	EY9L45	EY9L50	EY9L51
	DC 14,4 V			DC 18 V	
Rumore Vibrazioni	Vedere il foglio accluso.				

### CARICABATTERIA

Modello N°	EY0L82					
Valori elettrici nominali	Vedere la targhetta dei valori sul fondo del caricabatteria.					
Peso	0,93 kg					
Tempo di caricamento	Modello N°	EY9L42	EY9L44	EY9L45	EY9L50	EY9L51
	Utilizzabile	30 min.	40 min.	50 min.	40 min.	55 min.
	Completa	35 min.	55 min.	60 min.	55 min.	70 min.

**NOTA:** Questa tabella può includere dei modelli non disponibili nella propria area.

Fare riferimento al catalogo generale più recente.

Per il nome e l'indirizzo del rivenditore, consultare la scheda di garanzia acclusa.

## VIII. APPENDICE

### SUPPLEMENTO DI GARANZIA

- La rottura e i danni causati da un uso prolungato (es. lavoro in fabbrica sulla catena di montaggio, ecc.) non è coperto da garanzia.
- I danni o i malfunzionamenti causati dall'uso di accessori non specificati in questo manuale non saranno coperti da garanzia.

**Originele gebruiksaanwijzing: Engels**  
**Vertaling van de originele gebruiksaanwijzing: Andere talen**

**Lees de “Veiligheidsadviezen” in het afzonderlijke boekje en de onderstaande voorschriften alvorens gebruik.**

## I. INLEIDING

Dit is een universele zaagmachine. Door het zaagblad te verwisselen kan deze zaagmachine worden gebruikt voor het zagen van hout, metaal en plastic. De stof wordt in het geïntegreerde stofhuis opgevangen of via een aangesloten stofzuiger afgevoerd (de slang van de stofzuiger wordt aan de zaagmachine bevestigd).

### **⚠ GEVAAR**

Dit product is een zaagwerktuig, gemaakt om door metaal en hout te zagen. Het heeft een roterend zaagblad waarmee u zich diep kunt snijden, met ernstig of fataal letsel tot gevolg. Lees daarom aandachtig deze handleiding en de waarschuwingen op het gereedschap en houd u aan alle veiligheidsadviezen om letsel te vermijden.

### **⚠ WAARSCHUWING**

Steek nooit uw vinger of een ander voorwerp in een van de openingen van het gereedschap.

### **⚠ WAARSCHUWING**

**Lees alle veiligheidswaarschuwingen en alle instructies.**

Als u de onderstaande waarschuwingen en instructies niet opvolgt, kan dit resulteren in een elektrische schok, brand en/of ernstig letsel.

## Gebruik van deze handleiding

- Lees deze handleiding volledig door voordat u met het gereedschap begint te werken. Als u het gereedschap door andere personen laat gebruiken, zorg dan dat zij eerst deze handleiding lezen of op de hoogte worden gebracht van het correcte gebruik en alle veiligheidsvoorschriften met betrekking tot het gereedschap.
- Bewaar deze handleiding voor toekomstig gebruik. De handleiding bevat belangrijke veiligheidsinformatie waaraan u zich dient te houden om het gereedschap veilig te gebruiken.
- In deze handleiding en op het product vindt u de volgende trefwoorden.

### **OPMERKING**

Opmerkingen geven aanvullende informatie over het gereedschap die u moet weten.

### **OPGELET**

Opgelet duidt op een potentieel gevaarlijke situatie, die kan leiden tot een lichte kwetsuur indien ze niet wordt vermeden. Opgelet maakt u ook attent op onveilige handelingen die moeten worden vermeden.

### **WAARSCHUWING**

Waarschuwing duidt op een potentieel gevaarlijke situatie, die kan leiden tot zware kwetsuren of de dood indien ze niet wordt vermeden.

### **GEVAAR**

Gevaar duidt op een dreigend gevaar dat zal leiden tot zware kwetsuren of de dood indien het niet wordt vermeden.

**Lees voor gebruik het boekje met veiligheidsadviezen en ook de onderstaande opmerkingen.**

## II. EXTRA VEILIGHEIDS-VOORSCHRIFTEN

### Veiligheidsadviezen voor alle metaalsnijders

#### ⚠ GEVAAR

- 1) **Houd uw handen uit de buurt van de snijzone en het mes. Houd met uw tweede hand de hulphandgreep op de motor-behuizing vast.** Als u het gereedschap met beide handen vasthoudt, kunt u niet met het mes in uw handen snijden.
- 2) **Reik niet onder het werkstuk.** Onder het werkstuk kan de beschermkap u niet beschermen tegen het mes.
- 3) **Stel de snijdiepte op de dikte van het werkstuk af.** Onder het werkstuk dient minder dan een volle tand van de mestanden zichtbaar te zijn.
- 4) **Houd het te zagen werkstuk nooit met uw handen vast en leg het niet over uw been. Bevestig het werkstuk aan een stevig platform.** Het is van essentieel belang het werkstuk goed te ondersteunen om letsel te voorkomen en te vermijden dat het mes vastloopt of dat u de controle over het gereedschap verliest.
- 5) **Houd het gereedschap vast bij de geïsoleerde handvatten wanneer u een bewerking uitvoert waarbij het gereedschap in contact zou kunnen komen met verborgen stroomdraden of de eigen draad.** Contact met een stroomdraad zal ook de blootliggende metalen onderdelen van het gereedschap onder spanning brengen en resulteren in een elektrische schok voor de gebruiker.
- 6) **Gebruik bij het schulpen steeds een schulpleider of een rechthoekgeleider.** Zo kunt u nauwkeuriger snijden en bestaat er minder kans dat het mes vastloopt.
- 7) **Gebruik steeds een mes waarvan de asgaten de juiste grootte en de juiste vorm (diamant vs. rond) hebben.** Messen die niet passen op het montage materiaal van het gereedschap zullen excentrisch draaien, waardoor u de controle over het gereedschap verliest.
- 8) **Gebruik nooit beschadigde of ongeschikte pasringen of bouten voor de messen.** De pasringen en de bout van het mes zijn speciaal ontworpen voor uw gereedschap, met het oog op een optimale prestatie en een veilig gebruik.

### Verdere veiligheidsadviezen voor alle metaalsnijders

#### Oorzaak en maatregelen ter voorkoming van terugslag:

- Een terugslag is een plotselinge reactie op een geklemd, vastgelopen of slecht uitgelijnd mes, waardoor het gereedschap niet langer onder controle is en "opspringt" uit het werkstuk naar de gebruiker toe;
- Wanneer het mes klem komt te zitten of vastloopt doordat de snijzone dichtgaat, komt het mes tot stilstand en springt het gereedschap door de reactie van de motor snel terug in de richting van de gebruiker;
- Als het mes verdraaid of slecht uitgelijnd raakt in de snijzone, kunnen de tanden op het achtervlak van het mes zich in het bovenste oppervlak van het hout boren, waardoor het mes uit de snede springt, naar de gebruiker toe.

Een terugslag is het resultaat van een verkeerd gebruik en/of foutieve werkwijzen of –omstandigheden en kan worden voorkomen door het nemen van de juiste voorzorgsmaatregelen.

- 1) **Behoud met beide handen een stevige greep op het gereedschap en plaats uw armen zodanig dat u de kracht die wordt ontwikkeld door een terugslag kunt opvangen. Houd uw lichaam altijd aan een van beide kanten van het mes en nooit zo dat u op een lijn met het mes bent.**  
Bij een terugslag kan het gereedschap achteruit springen, maar u kunt de kracht van een terugslag in bedwang houden door de juiste voorzorgsmaatregelen te nemen.
- 2) **Wanneer het mes is vastgelopen of wanneer u om een andere reden de snijzone niet afwerkt, laat dan de hendel los en laat het gereedschap bewegingsloos zitten in het materiaal tot het mes volledig tot stilstand is gekomen. Probeer nooit het gereedschap uit het werkstuk te verwijderen of achteruit te trekken terwijl het mes nog in beweging is, om het risico op een terugslag te vermijden.**  
Ga na wat de oorzaak van het vastlopen is en los het probleem op.
- 3) **Wanneer u het snijden in het werkstuk hervat, moet u het mes in de snede centreren en kijken of de mestanden niet vastzitten in het materiaal.**  
Als het mes vastloopt, kan het omhoogspringen of terugslaan uit het werkstuk wanneer het gereedschap opnieuw wordt gestart.

**4) Ondersteun grote panelen om het risico op klem raken van het mes en een terugslag te beperken.**

Grote panelen hebben de neiging door te zakken onder hun eigen gewicht. De steun moet aan beide zijden onder het paneel worden geplaatst, dicht bij de snijlijn en de rand van het paneel.

**5) Gebruik geen bot of beschadigd mes.**

Ongeslepen of slecht gemonteerde messen maken een smalle snede, wat leidt tot overmatige wrijving, vastlopen van het mes en terugslag.

**6) De blokkeerhendels van de mesdiepte- en afschuinafstelling moeten goed vastzitten voor u begint te snijden.**

Als de snij-afstelling verandert tijdens het snijden, zal dit leiden tot het vastlopen van het mes en een terugslag.

**7) Wees extra voorzichtig wanneer u "uitsparingen snijdt" in bestaande wanden of andere blinde zones.**

Het vooruitstekende mes kan in voorwerpen snijden die een terugslag kunnen veroorzaken.

## Veiligheidsadviezen voor deze zaagmachine

**1) Controleer voor elk gebruik of de onderste beschermkap goed sluit. Gebruik de zaagmachine niet als de onderste beschermkap niet vrij beweegt en onmiddellijk sluit. De onderste beschermkap mag nooit in de geopende stand worden vastgeklemd of vastgebonden.**

Als het gereedschap per ongeluk valt, kan de onderste beschermkap verbogen raken. Haal de onderste beschermkap met de terugtrekhandel omhoog en controleer of deze vrij beweegt en het zaagblad en andere metalen onderdelen niet raakt, in elke zaaghoek en zaagdiepte.

**2) Controleer de werking van de veer van de onderste beschermkap. Als de beschermkap en de veer niet juist werken, moeten deze hersteld worden voordat u het gereedschap gebruikt.**

Het is mogelijk dat de onderste beschermkap niet vlot sluit als gevolg van beschadigde onderdelen, kleverige afzettingen of opeenhoping van vuil.

**3) De onderste beschermkap mag alleen met de hand worden teruggetrokken voor speciale bewerkingen, zoals het zagen van "uitsparingen" of het "samengesteld zagen". Haal de onderste beschermkap met de terugtrekhandel omhoog en laat de beschermkap los zodra het mes in het materiaal zaagt.**

Voor alle andere zaagbewerkingen moet u de onderste beschermkap automatisch laten werken.

**4) Let er steeds op dat de onderste beschermkap het zaagblad volledig afdekt voordat u het gereedschap op een werkbank of de vloer legt.**

Een niet beschermd, nog draaiend zaagblad zal er toe leiden dat het gereedschap achteruit beweegt en alles op haar weg doorzaagt. Houd er rekening mee dat het even duurt voordat het zaagblad tot stilstand komt nadat de schakelaar is losgelaten.

**5) Gebruik geen slijpwielen.**

**6) Draag altijd een stofmasker als er bij het werk stof vrijkomt.**

**7) Gebruik zaagbladen die door de fabrikant worden aanbevolen.**

**8) Draag oorbescherming wanneer u het gereedschap langere tijd achter elkaar gebruikt.**

**9) Het risico op een terugslag is groter naarmate de lading van de accu afneemt.**

**10) Zorg ervoor dat u het materiaal inspecteert. Let erop dat u geen ander materiaal doorzaagt.**

**11) Laat het gereedschap niet vallen.**

**12) Laat het gereedschap niet slingeren.**

**13) Voorkom dat de ventilatieopeningen afgedekt worden en zorg ervoor dat ze stofvrij worden gehouden.**

**14) Klem het gereedschap niet in een bankschroef. Zaag nooit terwijl het gereedschap ondersteboven in een bankschroef is geklemd. Dit is bijzonder gevaarlijk en kan ernstige ongevallen tot gevolg hebben.**

**15) Draag nooit gebreide handschoenen.**

**16) Let er bij gebruik van het gereedschap op een hoge plaats op dat niemand zich onder het gereedschap bevindt.**

**17) Raak het zaagblad niet meteen na het zagen aan. Het zaagblad kan bijzonder heet zijn en brandwonden veroorzaken.**

**18) Raak het materiaal niet aan nadat het gezaagd is. Het gezaagde materiaal kan bijzonder heet zijn.**

**19) Gebruik geen snijolie. Het gebruik van snijolie kan brand veroorzaken.**



**20) Zaag geen werkstukken die bedekt of vervuild zijn met benzine, olie, oplosmiddelen, witte spiritus enz.**

Blootstelling aan deze materialen kan beschadiging van de doorzichtige beschermkap veroorzaken.

21) Verwijder de doorzichtige beschermkap en de onderste beschermkap niet. Als de doorzichtige beschermkap en de onderste beschermkap worden verwijderd of beschadigd zijn, moet u het gereedschap naar een erkende hersteldienst brengen om de onderdelen te laten vervangen.

22) Start het zaagblad niet wanneer dit in contact is met het werkstuk. Wacht totdat het zaagblad de volle snelheid heeft bereikt voordat u begint met zagen.

## Symbol

Symbol	Betekenis
V	Volt
— — — —	Gelijkstroom
$n_0$	Onbelaste snelheid
... min <sup>-1</sup>	Omwentelingen of toeren per minuut
A	Ampère
	Om het risico van letsel te verminderen, dient de gebruiker de gebruiksaanwijzing te lezen en ter kennis te nemen.
	Alleen voor gebruik binnenshuis.

### ⚠ WAARSCHUWING

- Gebruik enkel Panasonic accu's die bestemd zijn voor gebruik met dit oplaadbare gereedschap.
- Panasonic kan niet aansprakelijk worden gesteld voor beschadigingen of ongelukken veroorzaakt door het gebruik van een gerecyclede accu of een namaak-accu.
- Gooi de accu nooit in vuur of stel deze ook niet aan overmatige hitte bloot.
- Sla geen nagels en dergelijke in de accu en stel deze ook niet bloot aan schokken. Probeer de accu ook niet te demonteren of er wijzigingen in aan te brengen.
- Zorg dat de accupolen niet in contact komen met metalen voorwerpen.

- Berg de accu niet in dezelfde doos op waarin nagels of andere metalen voorwerpen zijn.
- Laad de accu niet op een plaats met hoge temperaturen op, zoals in de buurt van een vuur of in direct zonlicht. De accu kan oververhit worden, in brand vliegen of exploderen.
- Gebruik uitsluitend de voorgeschreven acculader voor het opladen van de accu. De accu zou anders kunnen gaan lekken, oververhit worden of exploderen.
- Bevestig altijd het accudeksel nadat u de accu van het gereedschap of de acculader hebt losgemaakt. Het is anders mogelijk dat de accupolen kortgesloten worden met mogelijk brand tot gevolg.
- Wanneer de accu versleten is, moet deze door een nieuwe worden vervangen. Als u een versleten of beschadigde accu blijft gebruiken, kan dit resulteren in hitte-ontwikkeling, ontbranding of barsten van de accu.

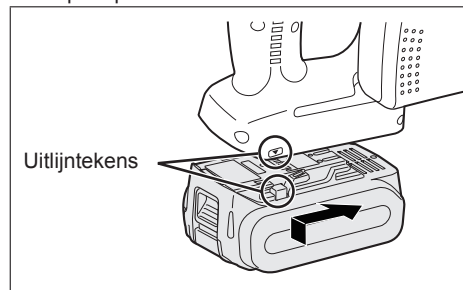
## III. MONTAGE

### Bevestigen en verwijderen van de accu

#### OPGELET:

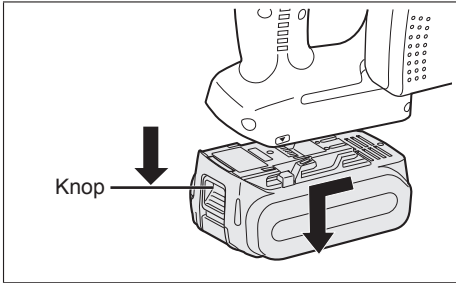
Controleer voordat u de accu aanbrengt of de hoofschakelaar van het gereedschap goed werkt en terugkeert naar de "OFF" stand wanneer u deze loslaat.

1. Bevestigen van de accu (zie Afb. 2)
  - Lijn de gemarkeerde punten met elkaar uit en bevestig de accu.
  - Schuif de accu naar achteren totdat deze op de plaats vastklikt.



Afb. 2

2. Verwijderen van de accu (zie Afb. 3)  
Druk de knop omlaag en schuif de accu naar voren.



Afb. 3

## IV. BEDIENING

### Voordat u het gereedschap gebruikt

Dit gereedschap dient enkel om ongehard ferrometaal, non-ferrometaal, hout en plastic te zagen. Zie het hoofdstuk "Accessoires" voor een lijst met zaagbladen die geschikt zijn voor de diverse toepassingen van het gereedschap. Neem de volgende voorzorgsmaatregelen in acht om letsel te voorkomen:

- Zaag niet gelijktijdig door meerdere materialen. Zaag de materialen om de beurt.
- Zaag geen gehard staal.
- Zaag de materialen met de brede rand van de schoen over de vastgeklemd kant van het materiaal heen.
- Raak het zaagblad, het werkstuk en de metaal-splinters niet met blote handen aan meteen na het zagen; deze kunnen heet zijn waardoor u zicht verbrandt.

Telkens voordat u het gereedschap gebruikt, moet u controleren of dit in goede staat verkeert.

Doe dit aan de hand van de volgende controlelijst:

1. Is het zaagblad in de juiste richting gemonteerd?  
De pijl op het zaagblad moet in dezelfde richting wijzen als de pijl op de bovenste beschermkap.
2. Is het zaagblad gemonteerd zoals het hoort?  
Controleer of de zeskantbout stevig is vastgedraaid. (Zie Afb. 6)
3. Ziet het zaagblad er goed uit?  
Vervang het blad onmiddellijk als het gebarsten is of als een van de tanden is afgebroken.

4. Sluit de onderste beschermkap zoals het hoort?

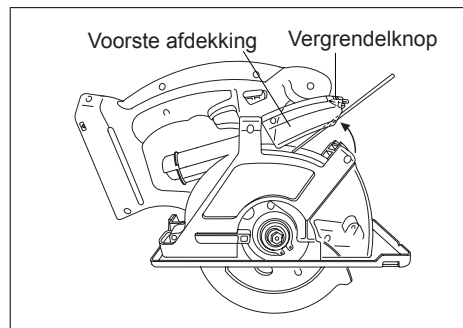
#### ⚠ WAARSCHUWING

Om letsel te voorkomen, mag u het gereedschap niet gebruiken als de onderste beschermkap niet snel over het zaagblad schuift.

5. Is de doorzichtige beschermkap stevig bevestigd?
6. Is de accu opgeladen en stevig aan het gereedschap bevestigd?
7. Is de diepte-instelmoer voor het zagen stevig vastgedraaid?
8. Is het werkstuk stevig vastgeklemd op een zaagbok of werkbank?
9. Is het stofhuis of de voorste afdekking verstopt met stof?
10. Gebruik alleen een zaagblad met een hogere nominale snelheid dan die van het gereedschap.

Het zaagblad kan anders beschadigd raken als het wordt gebruikt bij de nominale snelheid van het gereedschap.

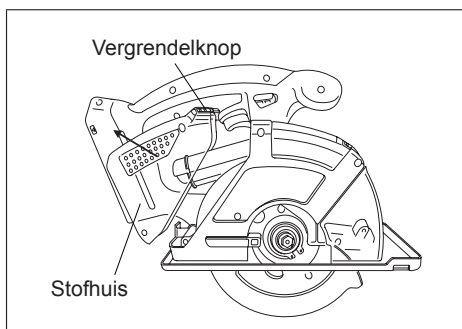
Als dit het geval is, maakt u de vergrendelknop voor de voorste afdekking los en verwijdert dan het stof in de afdekking. Als de afdekking volledig verstopt is, kunt u een lang voorwerp zoals een schroevendraaier gebruiken om het stof te verwijderen. Nadat dit is gedaan, kan de voorste afdekking weer gesloten worden. (Zie Afb. 4)



Afb. 4

Als er stof in het stofhuis is, maakt u de stofhuisvergrendelknop los, verwijdert dan het stofhuis en daarna het stof. Nadat dit is gedaan, kan het stofhuis weer bevestigd worden. (Zie Afb. 5.)





Afb. 5

## Monteren van het zaagblad

### Volg deze stappen:

1. Maak de accu los van het gereedschap.
2. Verwijder eventueel schraapsel van het zaagbladoppervlak.
3. Gebruik de terugtrekhandel om de onderste beschermkap terug te trekken (te openen).
4. Monteer het zaagblad zoals afgebeeld. (Zie Afb. 6.)  
Zorg dat de pijl op het zaagblad en de pijl op de doorzichtige beschermkap in dezelfde richting wijzen.
5. Breng de buitenring aan.
6. Steek de zeskantbout naar binnen.
7. Houd de asblokkeerknop ingedrukt. Hierdoor wordt voorkomen dat het zaagblad gaat draaien.
8. Draai de zeskantbout stevig met de bijgeleverde zeskantsleutel vast. Berg de zeskantsleutel op.

### OPMERKING:

Bewaar de zeskantsleutel in de opberggleuf op de zaagmachine wanneer u deze niet gebruikt.

### ⚠ WAARSCHUWING

Het niet opvolgen van deze instructies kan resulteren in ernstig letsel.

## Verwijderen van het zaagblad

### OPGELET:

Het zaagblad is heet meteen na het zagen. Laat het zaagblad afkoelen voordat u het verwijderd.

### Volg deze stappen:

1. Maak de accu los van het gereedschap.
2. Houd de asblokkeerknop ingedrukt. Hierdoor wordt voorkomen dat het zaagblad gaat draaien.
3. Draai de zeskantbout met de bijgeleverde zeskantsleutel los.

### OPMERKING:

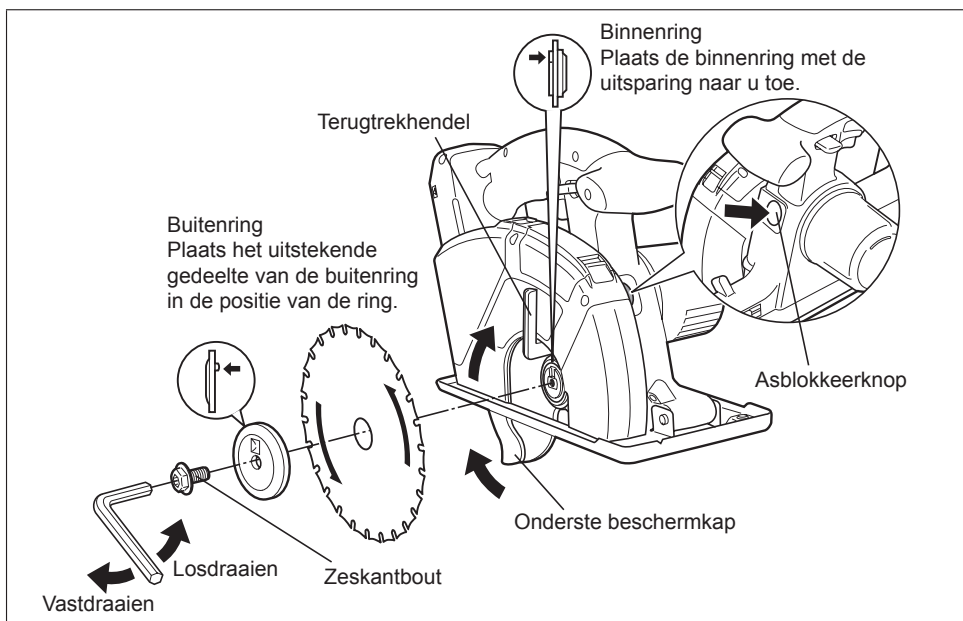
Bewaar de zeskantsleutel in de opberggleuf op de zaagmachine wanneer u deze niet gebruikt.

4. Verwijder de zeskantbout en de buitenring.
5. Gebruik de terugtrekhandel om de onderste beschermkap terug te trekken (te openen).
6. Verwijder voorzichtig het zaagblad.
7. Maak het gereedschap indien nodig schoon.

### OPGELET:

Wees voorzichtig dat u niet met het zaagblad in uw handen snijdt.

- Wikkel een gebruikt zaagblad in dik papier of golfkarton. Dit om te voorkomen dat iemand zich aan het zaagblad zou snijden.



Afb. 6

## Gebruik van het gereedschap

### OPGELET:

Om de kans op letsel te verminderen, moet u de veiligheidsadviezen aan het begin van deze handleiding zorgvuldig doorlezen voordat u het gereedschap gebruikt.

### ⚠️WAARSCHUWING

Om de kans op letsel te verminderen, moet u tijdens het gebruik van de zaagmachine een veiligheidsmasker of bril dragen met zijafscherming. Draag ook een stofmasker bij het zagen van materialen waarbij veel kleine deeltjes vrijkomen. Gebruik de zaagmachine niet in de regen. Dit kan resulteren in een elektrische schok of de zaagmachine kan rook uitstoten.

Zaag geen materialen waarop terpentijn, benzine, olie e.d. zit. Dit kan ertoe leiden dat het stofhuis barst met letsel tot gevolg.

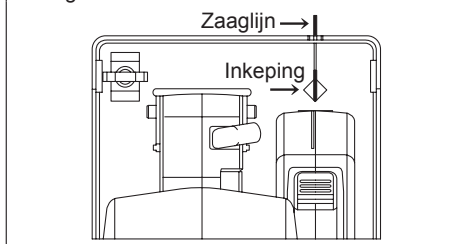
### Volg deze stappen:

Houd het gereedschap met beide handen vast. (Zie Afb. 8) Probeer geen zaagsplinters te verwijderen terwijl het zaagblad in beweging is.

1. Lijn de richtlijn op de schoen uit met uw zaaglijn. (Zie Afb. 7)

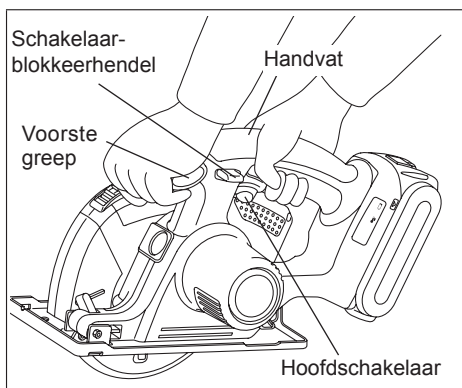
## Uitlijnen met de zaaglijn

- Plaats de inkeping op de schoen boven de zaaglijn en lijn de bovenste en onderste hoek van de ruitvormige opening uit met de lijn. Zaag eerst een testsnede, want de zaagpositie kan verschillen afhankelijk van het gebruikte zaagblad.



Afb. 7

2. Druk de schakelaarblokkeerhendel omlaag, knijp de hoofdschakelaar in om de motor te starten en laat dan de schakelaarblokkeerhendel weer los.



Afb. 8

**OPGELET:**

- Controleer of schakelaarblokkeerhendel werkt. Als de hoofdschakelaar kan worden gebruikt zonder de schakelaarblokkeerhendel in te drukken, moet u onmiddellijk stoppen. Breng het gereedschap naar een erkende hersteldienst.
  - Houd steeds met een hand het handvat vast en met de andere hand de voorste greep. (Zie Afb. 8) Houd het gereedschap stevig vast en druk de schakelaar volledig in.
  - Het zaagblad mag het materiaal dat gezaagd wordt niet raken voordat u de motor start. Wacht totdat het zaagblad op volle snelheid is voordat u met zagen begint.
  - Dit gereedschap beschikt niet over een voorziening om de hoofdschakelaar in de "ON" stand te blokkeren en u moet dus ook niet proberen om de hoofdschakelaar in de "ON" stand te blokkeren.
3. Begin met zagen wanneer het zaagblad op volle snelheid is.

**OPGELET:**

- Om een terugslag bij het starten te voorkomen, begint het zaagblad met lagere snelheid te draaien. (Zachte start)
- 4. Zorg dat de zaaglijn recht blijft tijdens het zagen. Beweeg het gereedschap met een constante snelheid vooruit, terwijl u de rand van het zaagblad in het oog houdt via de doorzichtige beschermkap.

**⚠ WAARSCHUWING**

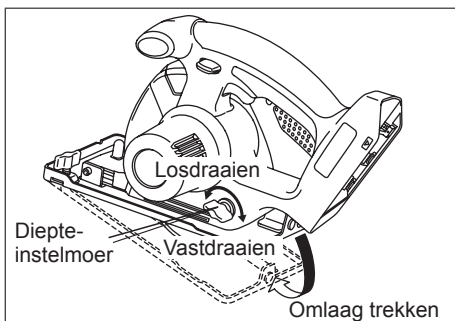
- Voorkom een gevaarlijke terugslag. Houd de schoen van het gereedschap plat op het werkvlak van het materiaal dat wordt gezaagd.
- Forceer het gereedschap niet. Gebruik een lichte en constante druk.

5. Stop met zagen als de motor warm begint aan te voelen. Laat het gereedschap afkoelen voordat u het werk hervat.

6. Het is een veilige gewoonte om na gebruik en alvorens het gereedschap op te bergen de accu te verwijderen.

**Instellen van de zaagdiepte**

- Verwijder de accu.
- Draai de diepte-instelmoer los en stel de zaagdiepte in aan de hand van de schaalverdeling op de onderste beschermkap. Wanneer u klaar bent met het instellen van de zaagdiepte, draait u de diepte-instelschroef weer stevig vast.
- \* Als houtmateriaal minder dan 10 mm (3/8") dik is, moet u de zaagdiepte zo instellen dat het zaagblad ongeveer 5 mm (3/16") uit de onderkant van het materiaal steekt.



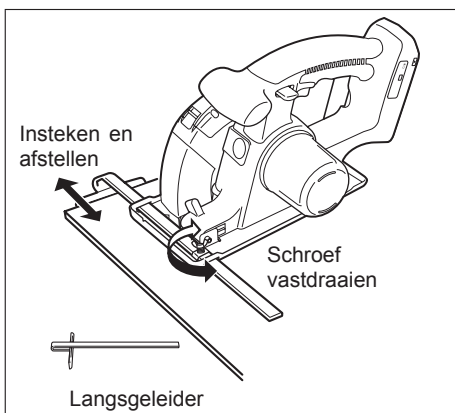
Afb. 9

**Langsgeleider (EY3500B7727)**

(Verkrijgbaar als accessoire, niet bijgeleverd)

De langsgeleider is handig voor het zagen van schulpen en voor herhaalde sneden met gelijke breedte.

- Verwijder de accu.
- Steek de langsgeleider naar binnen en stel de zaagbreedte af. (Zie Afb. 10)
- Draai de schroef stevig vast om de langsgeleider vast te zetten.



Afb. 10

## Stof verzamelen

### ⚠ WAARSCHUWING

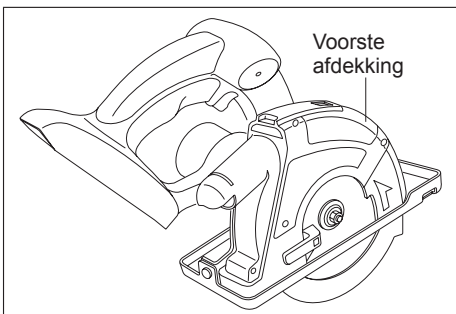
- \* Voordat u metaal begint te zagen, moet u altijd het stofhuis leegmaken, dan de voorste afdekking openmaken en ook daar het stof verwijderen.
- Gebruik van de zaagmachine voor het zagen van metaal terwijl er ontbrandbare materialen in het stofhuis zijn, kan resulteren in brand.
- \* Bij het zagen van metaal moet u de zaagmachine altijd gebruiken met het stofhuis eraan bevestigd.
- Rondvliegende vonken en metaalsplinters kunnen letsel veroorzaken.
- \* Bij het zagen van metaal mag geen stofzuiger aan het gereedschap worden bevestigd. De vonken en hete metaalsplinters kunnen ertoe leiden dat de stofzuiger in brand vliegt. Bedien de stofzuiger zoals beschreven in de handleiding van dat apparaat.

### (1) Verzamel het stof in het stofhuis.

- \* Maak het stofhuis leeg wanneer dit vol is met stof.
- \* Maak het stofhuis leeg voordat u de zaagmachine opbergt.
- \* Capaciteit van het stofhuis
  - Bij het doorzagen van elektrische leidingen met een diameter van 25 mm (1") ongeveer 130 stuks.
  - Bij het doorzagen van 45 mm (1-25/32") x 45 mm (1-25/32") stukken hout ongeveer 150 stuks.

### OPMERKING:

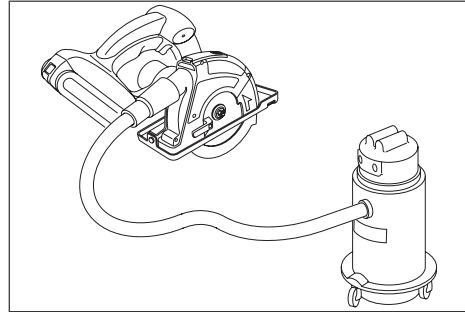
Bij het zagen van sommige materialen kan het stof in de voorste afdekking verstopt raken wanneer de materialen worden gezaagd.



Afb. 11

(2) U kunt ook een stofzuiger gebruiken voor het opvangen van stof.

- \* Sluit de zaagmachine met behulp van de EY9X012E stofzuigerslangadapter (los verkrijgbaar) op de stofzuigerslang aan. Geschikte binnendiameter van stofzuigerslang: 25 mm (1") tot 38 mm (1-2/1")
- \* Bedien de stofzuiger zoals beschreven in de daarbij geleverde handleiding.

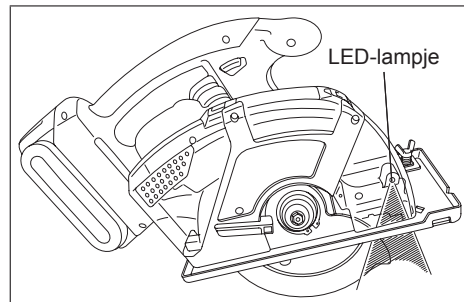


Afb. 12

### OPMERKING:

Wanneer de zaagmachine geen stof kan verwijderen of verzamelen, is het mogelijk dat de stofuitlaat verstopt is met stof. Open de voorste afdekking en verwijder het aanwezige stof.

## LED-lampje



Afb. 13

Het LED-lampje gaat branden wanneer de hoofdschakelaar wordt ingedrukt en gaat uit wanneer de hoofdschakelaar wordt losgelaten.

- Het lampje verbruikt erg weinig stroom en zal de prestatie van het gereedschap en de capaciteit van de accu bijna niet beïnvloeden.

### OPGELET:

- Het ingebouwde LED-lampje is slechts bedoeld om het werkgebied kortstondig te verlichten.
- Gebruik het lampje niet als vervanging voor een normale zaklantaarn, want het licht is niet sterk genoeg.

**Opgelet : KIJK NIET RECHTSTREEKS IN DE LICHTSTRAAL.**

Het gebruik van bedieningsorganen, het maken van afstellingen of het uitvoeren van procedures die niet in deze handleiding staan beschreven, kan leiden tot blootstelling aan gevaarlijke straling.

## Bedieningspaneel



(1) (2) (3)

### (1) Oververhitting-waarschuingslampje



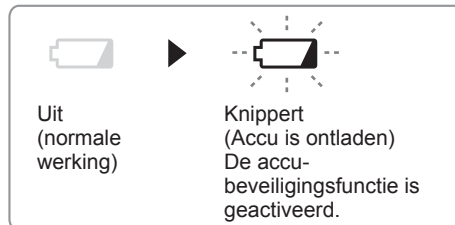
De oververhitting-beveiligingsfunctie zorgt ervoor dat het gereedschap stopt wanneer de accu te heet wordt. Het oververhitting-waarschuingslampje op het bedieningspaneel knippert wanneer deze beveiligingsfunctie is geactiveerd.

- Wanneer de oververhitting-beveiligingsfunctie is geactiveerd, moet u het gereedschap goed laten afkoelen (minstens 30 minuten). Het gereedschap kan weer gebruikt worden wanneer het oververhitting-waarschuingslampje uitgaat.
- Zorg ervoor dat u het gereedschap niet zodanig gebruikt dat de oververhitting-beveiligingsfunctie veelvuldig in werking treedt.
- Als het gereedschap wordt gebruikt bij lage omgevingstemperaturen (zoals in de winter) of als deze tijdens gebruik veelvuldig wordt stopgezet, bestaat de kans dat de oververhitting-beveiligingsfunctie niet in werking treedt. De prestatie van de EY9L42 is aanzienlijk minder bij temperaturen lager dan 10 °C als gevolg van de gewijzigde werkomstandigheden en andere factoren.
- De optimale omgevingstemperatuur is tussen 0 °C (32 °F) en 40 °C (104 °F).

Als de accu wordt gebruikt terwijl de temperatuur van de accu lager is dan 0 °C (32 °F), kan het voorkomen dat het elektrisch gereedschap niet goed functioneert.

- Laat een koude accu (kouder dan 0 °C (32 °F)), voordat deze wordt opgeladen in een warme omgeving, eerst minimaal een uur in deze ruimte liggen om op temperatuur te komen.

### (2) Accuspanning-waarschuingslampje



Buitensporige (volledige) ontlading van een lithium-ion accu heeft een zeer nadelige invloed op de levensduur van de accu. Het gereedschap is uitgerust met een accu-beveiligingsfunctie om buitensporige ontlading van de accu te voorkomen.

- De accu-beveiligingsfunctie wordt geactiveerd meteen voordat de accu ontladen is en zorgt ervoor dat het accuspanning-waarschuingslampje begint te knippen.
- Als u ziet dat het accuspanning-waarschuingslampje knippert, moet u de accu meteen opladen.
- Als u het gebruik begint met een accu die niet voldoende is opgeladen, dan kan het zijn dat het apparaat ineens stopt met werken zonder dat het 'accu bijna leeg'-waarschuingslampje eerst flakkert. Dit is een teken dat er te weinig accuvermogen is en dat het accupack voor verder gebruik zal moeten worden opgeladen.
- Als er plotseling te veel vermogen wordt gevraagd van het apparaat kan de motor vergrendelen, de beveiligingssensor tegen overontlading is mogelijk ingeschakeld en het 'accu bijna leeg'-waarschuingslampje kan flikkeren. Het lampje zal ophouden met flikkeren wanneer u de oorzaak van de motorvergrendeling oplost en het apparaat opnieuw start.

#### OPGELET:

De beveiligingsfunctie tegen te sterke ontlading werkt ook wanneer zowel het accuspanning-waarschuingslampje als het LED-lampje knippen.

- Laad de accu onmiddellijk op wanneer de accuspanning laag wordt.
- Wanneer een koude accu (beneden 0°C) in een warme ruimte wordt opgeladen, moet u de accu minstens één uur in de ruimte laten liggen om deze te laten opwarmen tot het niveau van de omgevingstemperatuur.

- Verminder en verbreek het toegepaste vermogen wanneer de spanning van de accu plotseling daalt als gevolg van een hoge belasting van de motor. Voer geen werkzaamheden uit die ertoe kunnen leiden dat de beveiligingsfunctie tegen te sterke ontlading te vaak in werking treedt.

## Voor een correct gebruik (verdere details)

### ⚠ WAARSCHUWING

Om ernstig letsel te voorkomen:

- Het is belangrijk een geschikt voorwerp te gebruiken om het materiaal dat gesneden wordt te ondersteunen en ook moet u de metaalsnijder stevig met beide handen vasthouden, om te voorkomen dat u de controle verliest en het risico loopt op ernstig letsel.
- Afbeelding 14 toont de juiste houding.
- Houd de handen uit de buurt van de snijzone.
- Zorg dat omstanders voldoende uit de buurt zijn en deze zich ook niet onder het werkstuk bevinden.
- Probeer het materiaal tijdens het snijden niet met uw hand vast te houden.

### Grote stukken snijden:

Ondersteun grote stukken. Zorg dat u de diepte van de snede zo instelt dat u alleen door het werkstuk snijdt en niet door de ondersteuning. (Zie afb. 15.)

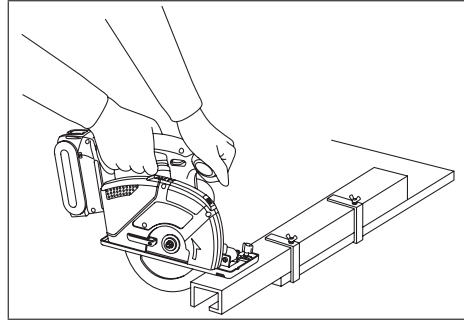
Grote stukken hebben de neiging door te zakken of te buigen wanneer ze niet goed worden ondersteund. Als het werkstuk niet vlak ligt of niet goed ondersteund is wanneer u het snijdt, kan het mes vastlopen met een terugslag tot gevolg. (Zie afb. 16.)

- Ondersteun het materiaal niet op een plaats ver verwijderd van de snede.

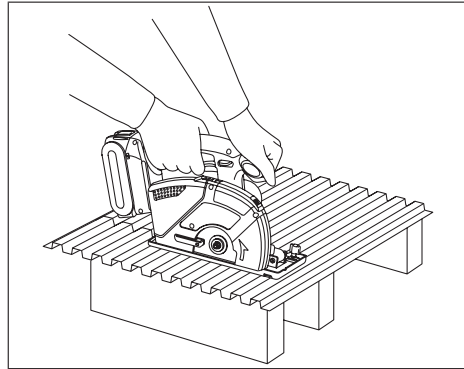
### Dunne of gegolfde materialen snijden:

Snij dunne of gegolfde materialen minstens 2,5 cm (1") vanaf de rand van het werkstuk om persoonlijk letsel of beschadiging van het werkstuk te voorkomen als gevolg van dunne stroken metaal die in de bovenste beschermkap worden getrokken.

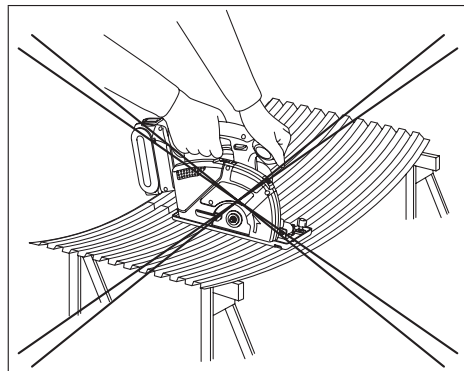
- Gebruik enkel scherpe messen. Schone en scherpe messen verkleinen het risico op blokkeren of terugslag.



Afb. 14



Afb. 15



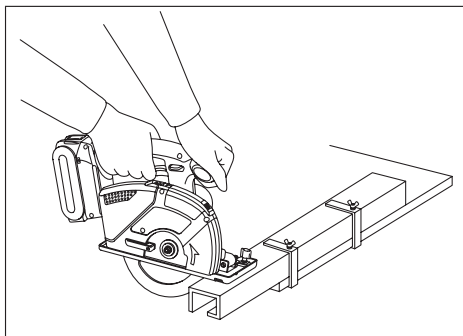
Afb. 16

### ⚠WAARSCHUWING

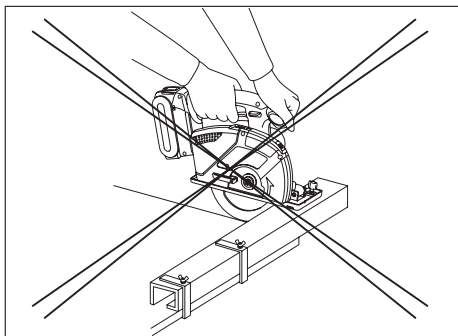
Om ernstig letsel te voorkomen:

- Wanneer u een onvolledige snede maakt of wanneer het zagen wordt onderbroken, wanneer het zaagblad klemt of wanneer de zaagmachine vastloopt: laat de hoofdschakelaar onmiddellijk los en laat de zaagmachine bewegingsloos in het materiaal zitten totdat het zaagblad volledig tot stilstand is gekomen.
- Om een terugslag te vermijden, mag u nooit proberen om de zaagmachine uit het werkstuk te trekken of achteruit te trekken terwijl het zaagblad nog in beweging is. Controleer of het zaagblad volledig tot stilstand is gekomen en trek dan de zaagmachine uit de snede.
- Om het zagen te hervatten, moet u de zaagmachine starten, het zaagblad op volle snelheid laten komen, de zaagmachine langzaam weer in de snede brengen en doorgaan met zagen.

1. Plaats het breedste stuk van de schoen op het gedeelte van het werkstuk dat stevig ondersteund is (zie Afb. 17), nooit op het gedeelte dat wordt afgezaagd (zie Afb. 18).  
Houd de zaagmachine stevig vast om te voorkomen dat u de controle verliest. Onvoorzichtig werken kan leiden tot ernstig letsel.



Afb. 17



Afb. 18

2. Wacht totdat het zaagblad stilstaat.  
Hoewel het gereedschap is uitgerust met een rem, moet u voordat u het gereedschap neerzet controleren of het zaagblad volledig tot stilstand is gekomen en de onderste beschermkap over het zaagblad is geschoven.
3. Gebruik het gereedschap niet als u iets abnormaals opmerkt. Verwijder de accu onmiddellijk.  
Als het gereedschap zeer warm wordt of niet naar behoren werkt, moet de accu worden verwijderd en mag het gereedschap niet langer worden gebruikt. Laat het gereedschap nakijken door een erkende hersteldienst.

### ⚠WAARSCHUWING

Om ernstig letsel te voorkomen, mag u nooit proberen om het gereedschap zelf te herstellen. U mag het gereedschap nooit uit elkaar nemen of er veranderingen in aanbrengen. Er zijn geen onderdelen in het gereedschap die door de gebruiker kunnen worden hersteld.

4. ZORG DAT DE ZAAGMACHINE NOOIT IN CONTACT KOMT MET UW LICHAAM.  
Let op dat de zaagmachine na het maken van een snede niet langs uw been of zij schuurt. De onderste beschermkap is terugtrekbaar. Het gevaar bestaat dus dat de beschermkap zich vasthaakt aan uw kleding en het zaagblad niet langer is afgedekt. Houd het gereedschap ver van uw kleding. Pas op voor delen van het zaagblad die niet door de bovenste en onderste beschermkap zijn bedekt.

### ⚠WAARSCHUWING

Het zagen van metaal veroorzaakt vonken, dus:

- Draag steeds een veiligheidsbril.
- Gebruik het gereedschap niet dicht bij ontvlambare stoffen of in een ruimte waar ontvlambare stoffen worden gebruikt. Dit kan leiden tot brand en brandwonden.

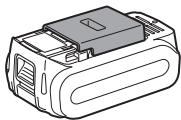
5. Schakel nooit de asblokkering in terwijl het zaagblad draait of in een poging om het gereedschap te stoppen. Zet nooit de schakelaar aan wanneer de asblokkering is ingeschakeld. Dit kan leiden tot ernstige schade aan uw gereedschap.

## [Accu]

# Voor een juist gebruik van de accu

## Li-ion accu

- Voor een optimale levensduur van de Li-ion accu moet u de accu na gebruik opbergen zonder dat u deze oplaadt.
- Kijk bij het laden van de accu of de aansluitingen op de acculader vrij zijn van vreemde bestanddelen zoals stof en water, enz. Reinig de aansluitingen als u vreemde bestanddelen op de aansluitingen aantreft. De levensduur van de accu-aansluitingen kan tijdens gebruik nadelig beïnvloed worden door vreemde bestanddelen zoals stof en water, enz.
- Wanneer de accu niet wordt gebruikt, dient u deze uit de buurt van metalen voorwerpen te houden zoals paperclips, munten, sleutels, nagels, schroeven of andere kleine metalen voorwerpen die de aansluitpunten van de accu met elkaar in contact kunnen brengen. Wanneer de aansluitpunten van de accu worden kortgesloten, kan dit resulteren in vonken, brandwonden of zelfs brand.
- Zorg er bij gebruik van de accu voor dat de werkplaats goed geventileerd is.
- Wanneer de accu van het gereedschap wordt losgemaakt, moet u meteen het accudeksel op de accu aanbrengen om te voorkomen dat er stof en vuil op de accu-aansluitingen komt waardoor er kortsluiting kan ontstaan.



## Levensduur van de accu

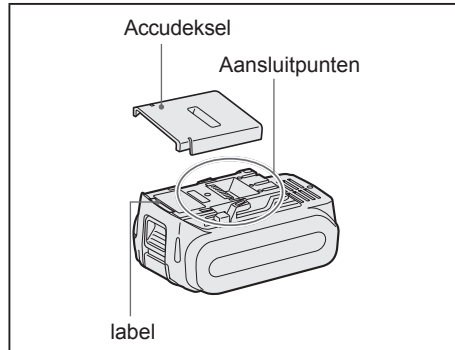
De levensduur van de oplaadbare accu is niet onbeperkt. U dient een nieuwe accu aan te schaffen indien de gebruikstijd na de accu geladen te hebben aanzienlijk korter wordt.

## Recyclen van de accu

### ATTENTIE:

Om het milieu te beschermen en nogmaals bruikbare materialen te recyclen, dient u de accu naar een hiervoor bestemd inzamelpunt te brengen.

## Aanbevelingen voor gebruik



## Zorg ervoor het accudeksel te gebruiken

- Wanneer de accu niet wordt gebruikt, de accu op een zodanige manier bewaren dat vreemde bestanddelen zoals stof en water, enz. de aansluitingen niet kunnen verontreinigen.
- Kijk bij het laden van de accu of de aansluitingen op de acculader vrij zijn van vreemde bestanddelen zoals stof en water, enz. Reinig de aansluitingen als u vreemde bestanddelen op de aansluitingen aantreft. De levensduur van de accu-aansluitingen kan tijdens gebruik nadelig beïnvloed worden door vreemde bestanddelen zoals stof en water, enz.

### ⚠ OPGELET:

Let bij het gebruik van het gereedschap op deze wijze op het volgende om de motor en de accu te beschermen.

- Als de accu te warm wordt, wordt de beveiligingsfunctie geactiveerd en stopt de werking van de accu. Het oververhitting-waarschuwingsslampje op het bedieningspaneel brandt of knippert wanneer deze functie actief is.

## Voor een veilig gebruik

- Het aanbrengen van de accu moet om veiligheidsredenen in twee stappen worden uitgevoerd. Zorg dat de accu vóór gebruik goed op het gereedschap is bevestigd.



- Als de accu niet goed is bevestigd wanneer de schakelaar wordt aangezet, gaan het oververhitting waarschuwinglampje en het laag accuniveau waarschuwinglampje knipperen om aan te geven dat veilig gebruik niet mogelijk is en zal de hoofdeenheid niet normaal draaien. Plaats de accu in de hoofdeenheid van het gereedschap totdat het rode of gele label verdwijnt.

## [Acculader]

### Opladen

#### OPGELET:

- The charger is designed to operate on standard domestic electrical power only as stated in the rating plate. Charge only on the voltage indicated on the rating plate of unit. e.g. 230V / 50Hz.
- Do not attempt to use it on any other voltage or frequency rating!
- Als de temperatuur van de accu lager wordt dan ongeveer  $-10^{\circ}\text{C}$ , zal het opladen automatisch stoppen om een verslechtering van de toestand van de accu te voorkomen.
- Laad de accu niet op wanneer deze kouder is dan  $0^{\circ}\text{C}$ .
- Laat een koude accu (kouder dan  $0^{\circ}\text{C}$  ( $32^{\circ}\text{F}$ )), voordat deze wordt opgeladen in een warme omgeving, eerst minimaal een uur in deze ruimte liggen om op temperatuur te komen.
- Laat de lader afkoelen wanneer u meer dan twee accu's na elkaar oplaadt.
- Steek uw vingers niet in de contactopening wanneer u de lader vastpakt.

#### ⚠ OPGELET:

Om brandgevaar en beschadiging van de acculader te voorkomen.

- Voorkom dat de ventilatiegaten van de lader en de accu worden bedekt.
- Maak de acculader los wanneer deze niet wordt gebruikt.

#### OPMERKING:

De accu is niet volledig opgeladen wanneer u deze koopt. Laad de accu daarom voor gebruik op.

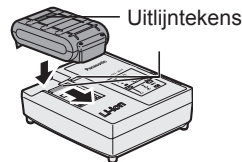
#### Opladen

1. Steek de lader in een stopcontact.

#### OPMERKING:

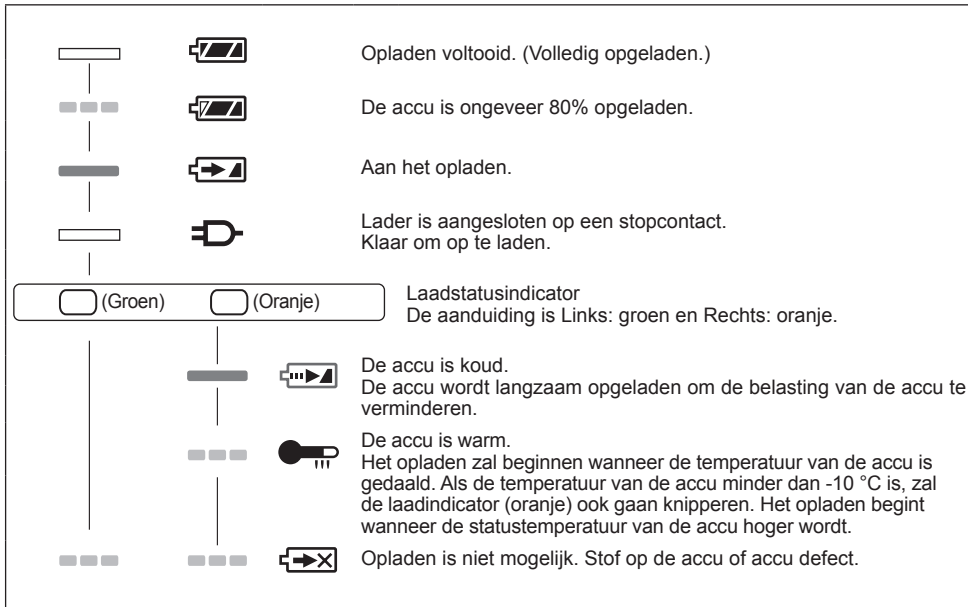
Wanneer de stekker in het stopcontact wordt gestoken, kunnen er vonken ontstaan, maar dit is niet gevaarlijk.

2. Plaats de accu stevig in de lader.
  - 1 Zet de uitlijntekens tegenover elkaar en plaats de accu in de acculader.
  - 2 Schuif de accu in de richting van de pijl naar voren.



3. De laadindicator licht op tijdens het opladen. Wanneer de accu is geladen, wordt automatisch een interne elektronische schakeling geactiveerd die voorkomt dat de accu wordt overladen.
  - Wanneer de accu warm is, zal deze niet worden opgeladen (bijvoorbeeld direct na intensief gebruik). De oranje standby-indicator knippert tot de accu is afgekoeld. Vanaf dat moment wordt de accu automatisch opnieuw geladen.
4. De laadindicator (groen) knippert langzaam wanneer de accu ongeveer 80% is opgeladen.
5. Wanneer het opladen is voltooid, zal de groene laadindicator uitgaan.
6. Als de temperatuur van de accu minder dan  $0^{\circ}\text{C}$  is, zal het volledig opladen van de accu langer duren dan de standaard oplaadtijd. Zelfs nadat de accu volledig is opgeladen, zal deze in dit geval slechts ongeveer 50% van het accuvermogen hebben in vergelijking met een accu die bij normale bedrijfstemperatuur volledig is opgeladen.
7. Als de laadindicator (groen) niet uitgaat, moet u contact opnemen met een officiële dealer.
8. Als een volledig opgeladen accu opnieuw in de acculader wordt geplaatst, zal het oplaadlampje oplichten. Na enkele minuten zal de groene laadindicator uitgaan.

## Lampindicaties



Uit

Brandt

Knippert

## Informatie voor gebruikers betreffende het verzamelen en verwijderen van oude uitrustingen en lege batterijen



Deze symbolen op de producten, verpakkingen, en/of begeleidende documenten betekenen dat gebruikte elektrische en elektronische producten en batterijen niet met het algemene huishoudelijke afval gemengd mogen worden.

Voor een correcte behandeling, recuperatie en recyclage van oude producten en lege batterijen moeten zij naar de bevoegde verzamelpunten gebracht worden in overeenstemming met uw nationale wetgeving en de Richtlijnen 2002/96/EC en 2006/66/EC.



Door deze producten en batterijen correct te verwijderen draagt u uw steentje bij tot het beschermen van waardevolle middelen en tot de preventie van potentiële negatieve effecten op de gezondheid van de mens en op het milieu die anders door een onvakkundige afvalverwerking zouden kunnen ontstaan.

Voor meer informatie over het verzamelen en recycleren van oude producten en batterijen, gelieve contact op te nemen met uw plaatselijke gemeente, uw afvalverwijderingsdiensten of de winkel waar u de goederen gekocht hebt.

Voor een niet-correcte verwijdering van dit afval kunnen boetes opgelegd worden in overeenstemming met de nationale wetgeving.

## Voor zakengebruikers in de Europese Unie

Indien u elektrische en elektronische uitrusting wilt verwijderen, neem dan contact op met uw dealer voor meer informatie.

## [Informatie over de verwijdering in andere landen buiten de Europese Unie]

Deze symbolen zijn enkel geldig in de Europese Unie. Indien u wenst deze producten te verwijderen, neem dan contact op met uw plaatselijke autoriteiten of dealer, en vraag informatie over de correcte wijze om deze producten te verwijderen.

## V. ONDERHOUD

### ⚠ WAARSCHUWING

Om ernstig letsel te vermijden, moet u altijd de accu van het gereedschap verwijderen voordat u begint met onderhoudswerkzaamheden.

### OPGELET:

Met het oog op de VEILIGHEID en de BETROUWBAARHEID van het product, moet het onderhoud worden verricht door een erkende onderhoudsdienst. Zorg ervoor dat altijd originele Panasonic vervangingsonderdelen worden gebruikt.

## Schoonmaken van het gereedschap

Houd uw gereedschap schoon met het oog op een blijvend goede prestatie en een veilig gebruik.

### Volg deze stappen:

1. Maak de accu los van het gereedschap.
2. Veeg het gereedschap met een droge, zachte doek schoon. Gebruik geen natte doek of reinigingsmiddelen. Deze kunnen de afwerking van de zaagmachine aantasten.
3. Verwijder eventuele olie- of vetvlekken die het gereedschap glibberig of moeilijk hanteerbaar kunnen maken.
4. Demonteer het zaagblad en veeg eventueel vuil weg met een borstel.

### OPGELET:

- Dompel nooit een onderdeel van het gereedschap in vloeistof om letsel of schade aan het gereedschap te voorkomen.
- In het geval er water binnen in het gereedschap of de accu is terechtgekomen, zo spoedig mogelijk het water laten uitlekken en laten drogen. Verwijder nauwkeurig alle stof of ijservijsel dat zich binnen in het gereedschap heeft verzameld. Neem contact op met een reparatiedienst als u bij het gebruik van het gereedschap problemen ondervindt.

## Doorzichtige beschermkap

### ⚠ WAARSCHUWING

Als de beschermkap gebarsten of stuk is, dient u het gereedschap naar een erkende hersteldienst te brengen om de beschermkap te laten vervangen. Gebruik het gereedschap niet. Dit zou kunnen leiden tot ernstig letsel.

Gebruik het gereedschap nooit met een beschadigde doorzichtige beschermkap of zonder beschermkap. Rondvliegende metaalsplinters kunnen ernstig letsel veroorzaken.

## VI. ACCESSOIRES

### ⚠ WAARSCHUWING

- Het gebruik van andere dan in deze handleiding beschreven accessoires kan leiden tot brand, een elektrische schok of persoonlijk letsel. Gebruik uitsluitend de aanbevolen accessoires.
- Het gebruik van een zaagblad voor het zagen van dikker of dunner materiaal dan aanbevolen voor dat zaagblad, zal resulteren in een ruwe snede en kan het risico op "terugslag" of ander letsel verhogen.

Zaagblad met hardmetalen tanden voor het zagen van metaal

- EY9PM13E

Voor het zagen van ongehard ferrometaal

Dikte van materiaal

0,5 mm – 6,0 mm

Zaagblad met hardmetalen tanden voor het zagen van dun metaal (los verkrijgbaar accessoire)

- EY9PM13F

Voor het zagen van dun ongehard ferrometaal met een mooie effen rand

Dikte van materiaal

0,5 mm – 6,0 mm

Zaagblad met hardmetalen tanden voor het zagen van hout (los verkrijgbaar accessoire)

- EY9PW13C

Voor het zagen van hout in het algemeen

Zaagblad met hardmetalen tanden voor het zagen van dun hout (los verkrijgbaar accessoire)

- EY9PW13D

Voor het zagen van dun hout met een mooie effen rand

Aanbevolen voor materiaal met een dikte tot 12 mm

Zaagblad met hardmetalen tanden voor het zagen van plastic (los verkrijgbaar accessoire)

- EY9PP13C

Voor het zagen van plastic

Aanbevolen dikte van acryl en vinylchloride platen:

2,0 mm – 5,0 mm

golfplaten, leidingen

0,8 mm – 5,0 mm

Stofzuigerslangadapter (los verkrijgbaar accessoire)

- EY9X012E

Langsgeleider (los verkrijgbaar accessoire)

- EY3500B7727

Handig voor het zagen van schulpen en voor herhaalde sneden met gelijke breedte

## VII. TECHNISCHE GEGEVENS

### OPMERKING:

Gewichtsaanduiding

Groter dan of gelijk aan 1 kg: nauwkeurig tot op 0,05 kg

Minder dan 1 kg : nauwkeurig tot op 0,01 kg

### GEREEDSCHAP

Modelnr.	EY45A2				
Motorspanning	DC 14,4 V		DC 18 V		
Toerental van zaagblad	3600 rpm (min <sup>-1</sup> )		4500 rpm (min <sup>-1</sup> )		
Afmeting van zaagblad Buitendiameter Spilafmeting	135 mm 20 mm				
Maximale zaagdiepte	0 - 46 mm (Φ135 mm zaagblad)				
Maximaal aanhaalmo- ment	5,4 N•m		6,7 N•m		
Totale lengte	292 mm (alleen gereedschap)				
Gewicht	2,05 kg (alleen gereedschap)				
Accu's	Li-ion accu's				
	EY9L42	EY9L44	EY9L45	EY9L50	EY9L51
	DC 14,4 V		DC 18 V		
Geluid Trillingen	Zie het ingesloten sheet.				

### ACCULADER

Modelnr.	EY0L82					
Electrical rating	Zie het specificatieplaatje op de onderkant van de acculader.					
Toelaatbaar vermogen	0,93 kg					
Oplaadtijd	Modelnr.	EY9L42	EY9L44	EY9L45	EY9L50	EY9L51
	Bruikbaar	30 min.	40 min.	50 min.	40 min.	55 min.
	Vol	35 min.	55 min.	60 min.	55 min.	70 min.

**OPMERKING:** Het is mogelijk dat er modellen in deze tabel staan die niet in uw land verkrijgbaar zijn.

Raadpleeg de meest recente catalogus voor verdere informatie.

Zie de ingesloten garantiekaart voor de naam en het adres van de dealer.

## VIII. AANHANGSEL

### GARANTIESUPPLEMENT

- Defecten en beschadigingen als gevolg van langdurig ononderbroken gebruik (bijv. bij werkzaamheden in een fabriek aan de lopende band enz.) vallen niet onder de garantie.
- Beschadigingen of een defect veroorzaakt door accessoires die niet in deze gebruiksaanwijzing zijn voorgeschreven, vallen niet onder de garantie.

**Manual de instrucciones original: Inglés**  
**Traducción del manual de instrucciones**  
**original: Otros idiomas**

**Lea el folleto de las “Instrucciones de seguridad” y lo que se describe a continuación, antes de usarlo.**

## I. INTRODUCCIÓN

Esta herramienta es una sierra de propósitos múltiples. Cambiando la hoja, ésta puede ser usada para cortar madera, metales y plásticos. El polvo se acumula en una caja de polvo integrada, o a una aspiradora conectada (conectando la manguera a la sierra).

### **⚠ PELIGRO**

Este producto es una herramienta de corte, diseñada para cortar a través de metal y madera. Posee una cuchilla giratoria que es capaz de cortarle profundamente, causándole daños serios o la muerte. Por lo tanto, lea cuidadosamente este manual y las marcas de precaución en la herramienta y respete todas las instrucciones de seguridad para evitar heridas de este tipo.

### **⚠ ADVERTENCIA**

Para evitar lesiones, nunca inserte sus dedos, ni ningún otro objeto en alguna apertura de la herramienta.

### **⚠ ADVERTENCIA**

**Lea todas las advertencias de seguridad y todas las instrucciones.**

No cumplir con las advertencias e instrucciones puede resultar en choques eléctricos, incendios y/o lesiones serias.

## Forma de utilizar este manual

- Lea completamente este manual antes de comenzar a cortar usando su herramienta. Si usted permite que otra persona use la herramienta, asegúrese que esta persona lea este manual o que sea completamente instruido sobre el uso apropiado y todas las precauciones de seguridad relacionadas con la herramienta.
- Guarde este manual para referencia futura. Éste contiene información de seguridad importante que usted debe respetar para usar la herramienta con seguridad.
- Este manual y el producto utilizan las siguientes palabras clave:

### **NOTA**

Las notas proveen información adicional que usted debería conocer sobre la herramienta.

### **PRECAUCIÓN**

La precaución indica una situación potencialmente peligrosa, que podría resultar en daños menores o moderados si no se evita. Las precauciones también le indicarán prácticas no seguras que tendrá que evitar.

### **ADVERTENCIA**

La advertencia le indica una situación potencialmente peligrosa, que podría resultar en daños serios o en la muerte, si no se evita.

### **PELIGRO**

Peligro indica un riesgo inminente, que podría resultar en daños serios o en la muerte si no se evita.

**Lea el libro de “Instrucciones de seguridad” y lo siguiente antes de utilizar.**

## II. REGLAS DE SEGURIDAD ADICIONALES

### Instrucciones de seguridad para todas las sierras

#### ⚠ PELIGRO

- 1) **Mantenga las manos lejos del ambiente de corte y la cuchilla. Mantenga su segunda mano en el mango auxiliar o caja del motor.** Si ambas manos sujetan la sierra no pueden cortarse con la cuchilla.
- 2) **No busque nada debajo de la pieza de trabajo.** El protector no puede protegerlo contra la cuchilla si está debajo de la pieza de trabajo.
- 3) **Ajuste la profundidad del corte al espesor de la pieza de trabajo. Debe verse menos de todo el diente por debajo de la pieza de trabajo.** El protector no puede protegerlo contra la cuchilla si está debajo de la pieza de trabajo.
- 4) **Nunca sujete la pieza que está cortando con las manos o sobre sus piernas. Asegure la pieza de trabajo en una plataforma estable.** Es importante que soporte correctamente el trabajo para reducir la exposición del cuerpo, atasco de la cuchilla o pérdida de control.
- 5) **Sujete la herramienta eléctrica por sus superficies de empuñadura aisladas cuando la herramienta de corte pueda entrar en contacto con cables ocultos o con su propio cable.** El contacto con un cable "con corriente" puede hacer que las piezas de metal expuestas de la herramienta eléctrica "tengan corriente" y el operador recibirá una descarga eléctrica.
- 6) **Cuando se hace el aserrado al hilo, utilice una guía de corte al hilo o una guía de borde recto.** Esto mejora la precisión del corte y reduce la posibilidad de atasco de la cuchilla.
- 7) **Utilice siempre cuchillas con el tamaño y forma correctos (diamante contra redondo) con agujeros para el eje.** Las cuchillas que no coincidan con el herraje de montaje de la sierra tendrán excentricidad provocando una pérdida de control.
- 8) **Nunca utilice arandelas o perno de cuchilla dañados o incorrectos.** Las arandelas y perno se diseñaron especialmente para sus sierras, para prestaciones óptimas y seguridad del funcionamiento.

### Instrucciones de seguridad adicionales para todas las sierras

#### Causas y prevención de retroceso del operador:

- El retroceso es una reacción repentina de una cuchilla de sierra atrapada, adherida o mal alineada que hace que una sierra pierda el control y se levante y salga de la pieza de trabajo y retroceda al operador.
- Cuando la cuchilla quede atrapada o atascada firmemente por el corte que se cierra, la cuchilla se detiene y la reacción del motor acciona la unidad rápidamente hacia atrás hacia el operador.
- Si la cuchilla se dobla o queda mal alineada en el corte, los dientes en el borde trasero de la cuchilla pueden entrar en la superficie superior de la madera, haciendo que la cuchilla se salga del corte y salte atrás hacia el operador.

El retroceso es el resultado de un mal uso de la sierra y/o condiciones o procedimientos de funcionamiento incorrectos y puede evitarse adoptando precauciones adecuadas tal como se da a continuación.

- 1) **Apriete firmemente con ambas manos sobre la sierra y ponga sus brazos de forma de resistir la fuerza de retroceso. Ponga su cuerpo hacia un lado de la cuchilla pero no en línea con la cuchilla.**

El retroceso puede hacer que la sierra salte hacia atrás pero el operador puede controlar las fuerzas de retroceso si adopta precauciones adecuadas.

- 2) **Cuando se atasca la cuchilla o cuando se interrumpe el corte por cualquier razón, suelte el gatillo y mantenga la sierra sin mover en el material hasta que la cuchilla se detenga completamente. Nunca trate de retirar la sierra del trabajo o tire de la sierra hacia atrás cuando la cuchilla está en movimiento ya que puede producirse un retroceso.**

Investigue y tome acciones de corrección para eliminar las causas de un atasco de la cuchilla.

- 3) **Cuando vuelva a poner en marcha la sierra en la pieza de trabajo, coloque la cuchilla de la sierra en el centro del corte y cerciórese que los dientes de la sierra no están enganchados en el material.**

Si la cuchilla de la sierra está atascada puede salirse o retroceder de la pieza de trabajo cuando vuelva a poner en marcha la sierra.

**4) Sujete los paneles grandes para reducir el riesgo de atrapar la sierra y provocar un retroceso.**

Los paneles grandes tienden a doblarse por su propio peso. Debe colocar soportes debajo el panel en ambos lados, cerca de la línea de corte y cerca del borde del panel.

**5) No utilice cuchillas desafiladas o dañadas.**

Una cuchilla desafilada o mal instalada produce un corte angosto, provocando una fricción excesiva, atasco de la cuchilla y retroceso.

**6) Las palancas de profundidad de la cuchilla y de bloqueo del ajuste de biselado deben estar apretadas y aseguradas antes de hacer el corte.**

Si el ajuste de la cuchilla se desplaza durante el corte, puede provocar un atasco y retroceso.

**7) Tenga mucho cuidado cuando haga un "corte por penetración" en paredes existentes u otras áreas ciegas.**

La cuchilla sobresaliente puede cortar objetos que puedan provocar un retroceso.

## Instrucciones de seguridad para esta sierra

**1) Verifique el cierre correcto del protector inferior de la cuchilla antes de cada uso. No haga funcionar la sierra si el protector inferior de la cuchilla no se mueve libremente y se cierra instantáneamente. Nunca apriete o ate el protector inferior de la cuchilla en la posición abierta.**

Si la sierra se deja caer accidentalmente, la protección inferior podría resultar deformada. Eleve la protección inferior con el mango retráctil y asegúrese que se mueve libremente, y que no toca la cuchilla ni ninguna otra parte, en todos los ángulos y profundidades de corte.

**2) Verifique el funcionamiento del resorte del protector inferior de la cuchilla. Si el protector y el resorte no funcionan correctamente, debe hacerse el servicio antes de su uso.**

El protector inferior de la cuchilla puede funcionar lentamente debido a que tiene piezas dañadas, depósitos pegajosos o acumulación de residuos.

**3) La protección inferior debe ser retraída manualmente sólo para los cortes especiales, tales como "cortes de émbolo" y "cortes compuestos." Eleve la protección inferior mediante el mango retráctil; y tan pronto como la cuchilla penetra el material, la protección inferior debe ser liberada.**

Para los demás cortes de sierra, el protector inferior de la cuchilla debe hacerse funcionar automáticamente.

**4) Vigile siempre que el protector inferior de la cuchilla cubre la cuchilla antes de apoyar la sierra en un banco o piso.**

Una cuchilla que gire al vacío sin protección hará que la sierra camine hacia atrás, cortando lo que esté a su paso. Tenga en cuenta el tiempo que demora hasta que la cuchilla se cierre después de soltar el interruptor.

**5) No utilice ruedas abrasivas.**

**6) Utilice una máscara de polvo si el trabajo produce polvo.**

**7) Utilice cuchillas de sierra recomendadas por el fabricante.**

**8) Utilice protectores para el oído cuando utilice la herramienta durante largo tiempo.**

**9) El riesgo de retroceso aumenta a medida que se descargue la batería.**

**10) Asegúrese de inspeccionar el material. Evite cortar otro material diferente.**

**11) Tenga cuidado de no dejar caer la herramienta.**

**12) Nunca haga oscilar la herramienta.**

**13) Nunca cubra las ranuras de salida de aire y manténgalas libres de polvo u otro material.**

**14) No sujete la herramienta en una prensa de tornillo. Nunca corte con la herramienta sostenida de manera invertida en una prensa de tornillo. Esto es extremadamente peligroso y puede llevar a serios accidentes.**

**15) Nunca utilice guantes de lana tejidos.**

**16) Asegúrese que no haya ninguna persona abajo cuando se use la herramienta en lugares elevados.**

**17) No toque la cuchilla inmediatamente después del funcionamiento. Puede estar caliente y quemar su piel.**

**18) No toque el material después de cortarlo. El material cortado puede estar muy caliente.**

**19) No utilice aceite para corte. Este uso de un aceite para corte puede provocar un fuego.**



**20) No corte piezas de trabajo cubiertas o manchadas con gas, aceite, disolventes, diluyentes, etc.**

La exposición a estos materiales puede dañar el protector transparente.

**21) No desmonte los protectores transparente e inferior de la cuchilla. Si los protectores transparente e inferior de la cuchilla están dañados o faltan, envíe la herramienta al centro de servicio autorizado para su cambio.**

**22) No arranque la cuchilla cuando está en contacto con la pieza de trabajo. Espere hasta que la cuchilla alcance su velocidad máxima antes de empezar el corte.**

## Símbolo

Símbolo	Significado
V	Voltios
— — — — — - - - - -	Corriente continua
$n_0$	Velocidad sin carga
... min <sup>-1</sup>	Revoluciones o movimiento alternante
A	Amperios
	Para reducir el riesgo de lesiones el usuario debe leer y comprender el manual de instrucciones.
	Sólo para uso en interiores.

### ⚠ ADVERTENCIA

- Solamente use paquetes de baterías Panasonic que están diseñados para uso con esta herramienta recargable.
- Panasonic no asume ninguna responsabilidad por daños o accidentes provocados por el uso de un paquete de baterías recicladas y un paquete de baterías no originales.
- No elimine el paquete de baterías en el fuego, ni lo exponga al calor excesivo.
- No entierre clavos ni similares en el paquete de baterías, no lo someta a golpes, no lo desarme, ni intente modificarlo.
- No permita que los objetos metálicos toquen los terminales del paquete de baterías.
- No transporte ni almacene el paquete de baterías en el mismo contenedor que clavos u otros objetos metálicos similares.
- No cargue el paquete de baterías en un lugar a alta temperatura, como por ejemplo cerca de una fuente de fuego o bajo la luz solar directa. De otra manera, la batería podría sobrecalentarse, encenderse o explotar.

- Solamente use el cargador dedicado para cargar el paquete de baterías. De otra manera, la batería podría filtrarse, sobrecalentarse o explotar.
- Después de extraer el paquete de baterías de la herramienta o el cargador, siempre reinstale la cubierta del paquete. De otra manera, los contactos de la batería podrían ser cortados, causando el riesgo de fuego.
- Cuando el paquete de pilas se deteriora, reemplácelo con uno nuevo.  
El uso continuo de un paquete de pilas dañado puede ser causa de la generación de calor, ignición o rotura de batería.

## III. MONTAJE

### Colocación y extracción de la batería

#### PRECAUCIÓN:

Antes de insertar el paquete de baterías, verifique que el interruptor en la herramienta funciona apropiadamente y que retorna a la posición "OFF" cuando se libera.

1. Para conectar la batería (Consulte la Fig. 2.)  
Alinee las marcas de alineación resaltadas y acople el paquete de baterías.
  - Deslice la batería hasta que se bloquee en su posición.

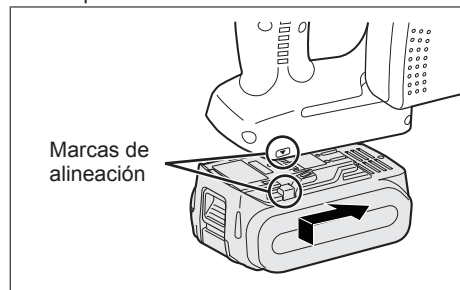


Fig. 2



- Para extraer la batería (Consulte la Fig. 3.) Presione el botón hacia abajo y deslice el paquete de baterías hacia delante.

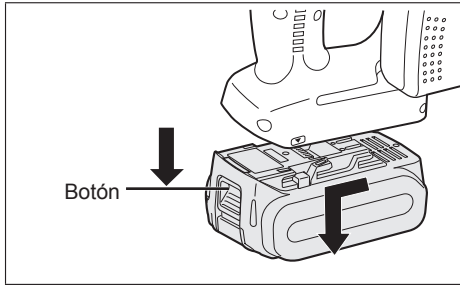


Fig. 3

## IV. OPERACIÓN

### Antes de usar la herramienta

Esta herramienta tiene por objeto el corte de metal ferroso no endurecido, metal no ferroso, madera y plástico. Consulte la sección de "Accesorios" para la lista de cuchillas a utilizar para las aplicaciones adecuadas de esta herramienta. Deben respetarse las siguientes precauciones para reducir el riesgo de heridas;

- No corte materiales acumulados. Corte una pieza a la vez.
- No corte acero templado.
- Corte materiales con el borde más ancho de la zapata sobre el lado apretado del material.
- No toque la cuchilla de sierra, pieza de trabajo o vituras del corte con las manos desnudas inmediatamente después del corte; pueden estar calientes y quemar su piel.

Cada vez que use la herramienta, usted debe asegurarse que esté en buena condición de operación.

Utilice la lista de comprobaciones siguiente:

- ¿Está la cuchilla instalada en la dirección correcta?  
La flecha de la cuchilla deberá estar apuntando en la misma dirección que la flecha de la cubierta superior de la cuchilla.
- ¿Está la cuchilla instalada adecuadamente?  
Cerciórese de que el perno hexagonal esté apretado con seguridad. (Consulte la Fig. 6.)
- ¿Tiene la cuchilla buen aspecto?  
Si la cuchilla tiene rajadas, o algún diente roto, reemplácela inmediatamente.
- ¿Se cierra adecuadamente el protector inferior de la cuchilla?

### ⚠ ADVERTENCIA

Para evitar lesiones, no use la herramienta si la protección inferior no se cierra rápidamente sobre la cuchilla.

- ¿Está firmemente instalado el protector transparente?
- ¿Está el paquete de baterías cargado e insertado firmemente en la herramienta?
- ¿Está la tuerca de ajuste de profundidad para corte apretada seguramente?
- ¿Está la pieza de trabajo apretada firmemente en un caballo o banco de sierra?
- ¿Está la caja de polvo o la cubierta frontal atascada con polvo?
- Utilice únicamente cuchillas clasificadas para velocidades superiores a las de la unidad principal.  
La cuchilla podría dañarse si se usa por debajo de la velocidad nominal de la unidad principal.

Desenganche el botón de seguro de la cubierta frontal y remueva cualquier polvo que haya quedado atascado dentro de la cubierta. Si la cubierta se atasca, use un objeto largo tal como un desatornillador manual para desatascarlo. Después de hacerlo, cierre la cubierta frontal. (Consulte la Fig. 4.)

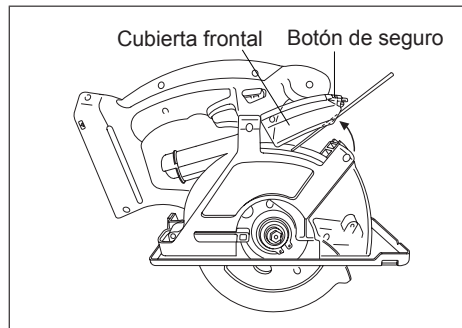


Fig. 4

Si hay polvo dentro de la caja de polvo, desenganche el botón de seguro de la caja de polvo, desprenda la caja de polvo y extraiga el polvo. Después de hacerlo, vuelva a montar la caja de polvo. (Consulte la Fig. 5.)

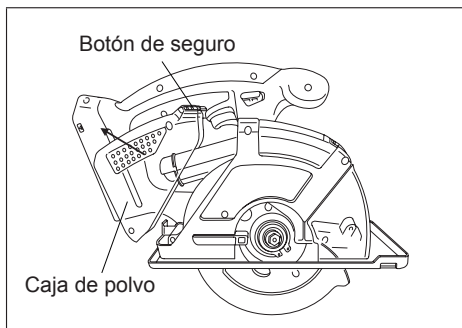


Fig. 5

## Instalación de la cuchilla

### Siga estos pasos:

1. Extraiga el paquete de baterías de la herramienta.
2. Extraiga cualquier desecho de corte del área de la cuchilla.
3. Use el mango retráctil para retraer (abrir) la protección inferior.
4. Instale la cuchilla como se indica. (Consulte la Fig. 6.)  
Asegúrese que la dirección en la cuchilla y la flecha de dirección en el protector transparente apunten en la misma dirección.
5. Coloque la arandela exterior en su lugar.
6. Inserte el perno hexagonal.
7. Mantenga presionado el botón de bloqueo del husillo. Esto evita la rotación de la cuchilla.
8. Apriete con seguridad el perno hexagonal con la llave hexagonal suministrada.

### NOTA:

Guarde la llave hexagonal en la ranura de almacenamiento del cuerpo de la sierra para metales cuando no vaya a utilizarla.

### ⚠ ADVERTENCIA

Si no respeta estas instrucciones puede traducirse en heridas personales graves.

## Desmontaje de la cuchilla

### PRECAUCIÓN:

La cuchilla estará caliente inmediatamente después de haber serrado. Cerciórese de dejar que se enfríe antes de quitarla.

### Siga estos pasos:

1. Extraiga el paquete de baterías de la herramienta.
2. Mantenga presionado el botón de bloqueo del husillo. Esto evita la rotación de la cuchilla.

3. Utilice la llave hexagonal suministrada para aflojar el perno hexagonal.

### NOTA:

Mantenga la llave hexagonal en la ranura de almacenamiento del cuerpo de la sierra cuando no la use.

4. Extraiga el perno hexagonal y la arandela externa.
5. Use el mango retráctil para retraer (abrir) la protección inferior.
6. Remueva cuidadosamente la cuchilla.
7. Limpie la herramienta si es necesario.

### PRECAUCIÓN:

Tenga cuidado de no cortarse las manos con la cuchilla.

- Para tirar una cuchilla, envuélvala en papel fuerte o en cartón ondulado. Esto evitará que nadie se corte con la cuchilla.

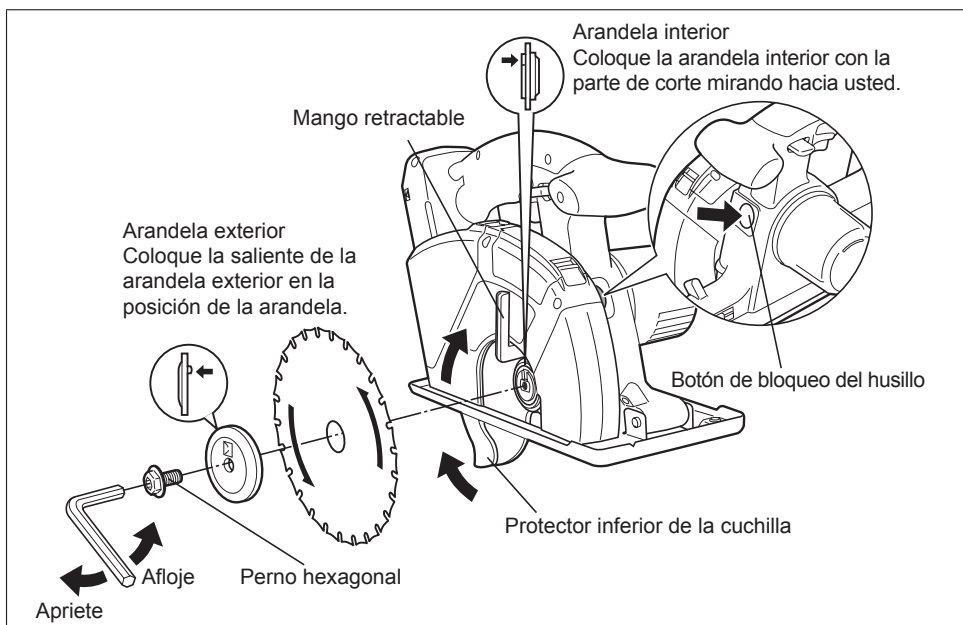


Fig. 6

## Uso de la herramienta

### PRECAUCIÓN:

Para reducir el riesgo de lesiones, lea las instrucciones de seguridad en la parte delantera de este manual antes de usar la herramienta.

### ⚠ADVERTENCIA

Para reducir el riesgo de lesiones, use gafas de seguridad o lentes con pantallas laterales durante el uso de la sierra. Adicionalmente, use una máscara de polvo cuando corte materiales que generen excesivas materias particuladas. No use la sierra bajo la lluvia. Hacerlo podría resultar en un choque eléctrico o causar que la sierra emita humo.

No corte materiales que contengan diluyente de pintura, gasolina, aceite o acumulación de otros materiales similares. Hacerlo podría causar que la caja de polvo se quiebren, resultando en lesiones.

### Siga los pasos siguientes:

Sostenga la herramienta con ambas manos. (Consulte la Fig. 8.) No intente extraer el material de corte cuando la cuchilla esté en movimiento.

1. Alinee la línea de mira en la zapata con su línea de corte (Consulte la Fig. 7.)

### Alineación con la línea de corte

- Posicione la ranura en la zapata sobre la línea de corte, alinee las esquinas superior e inferior de las aperturas en forma de diamante con la línea.

Como la posición de corte puede ser diferente según la cuchilla, haga un corte de ensayo por adelantado.

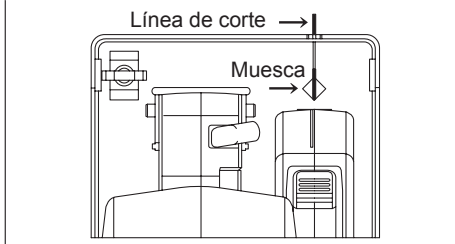


Fig. 7

2. Presione hacia abajo la palanca de bloqueo del interruptor y después apriete el interruptor de alimentación para poner el motor en funcionamiento y suelte la palanca de bloqueo del interruptor.

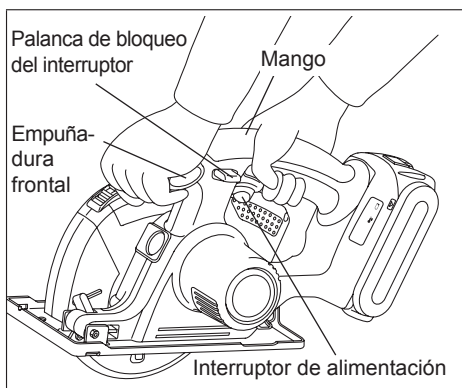


Fig. 8

**PRECAUCIÓN:**

- Compruebe que funcione la palanca de bloqueo del interruptor. Si ocurriera que el interruptor de alimentación se activara sin necesidad de presionar su palanca de bloqueo, deje de utilizar esta herramienta inmediatamente. Llévela de inmediato a un centro de servicio autorizado.

- Siempre sujete el asa con una mano y la asidera delantera con la otra. (Vea la Fig. 8) Mantenga el asa firme y presione el interruptor hasta el fondo.
- La cuchilla no debe tocar el material que desea cortar antes de que arranque el motor de la cortadora. Espere hasta que la cuchilla alcance su velocidad máxima antes de comenzar a cortar.

- Esta herramienta no tiene bloqueo del interruptor de alimentación en la posición "ON" y no debe tratar de asegurarlo en la posición "ON".

3. Comience a cortar cuando la cuchilla llega a su velocidad máxima.

**PRECAUCIÓN:**

- Para evitar la reacción al iniciar la operación, la cuchilla se pone en marcha a velocidad reducida (arranque suave).

4. Durante el corte, mantenga su línea de corte recta. Mueva la herramienta hacia adelante a una velocidad uniforme, mientras mira la punta de la cuchilla a través de la protección transparente.

**⚠ ADVERTENCIA**

- Para evitar el contragolpe peligroso, mantenga la zapata de la herramienta plana sobre la superficie del material siendo cortado.
- Nunca aplique la herramienta a la fuerza. Use una presión leve y continua.

5. Si el motor comienza a sentirse demasiado caliente, detenga el corte. Permita que la herramienta se enfríe antes de continuar los trabajos.
6. Siempre es una práctica segura extraer el paquete de baterías después de su uso y antes de almacenar la herramienta.

**Ajuste de la profundidad del corte**

- Desmonte la batería.
- Suelte la tuerca de ajuste de profundidad y ajuste la profundidad de corte, usando las graduaciones en la protección inferior para medir la profundidad. Una vez que se termina el ajuste de profundidad, apriete la tuerca de ajuste de profundidad seguramente.

\* Cuando el material de madera es de 10 mm (3/8") o menos de espesor, ajuste la profundidad de corte de manera que la cuchilla quede protuberancia aproximadamente 5 mm (3/16") desde el fondo del material.

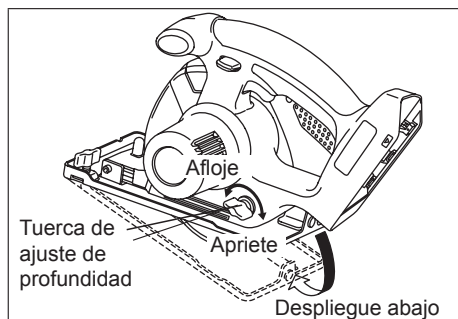


Fig. 9

**Guía de corte (EY3500B7727)**

(Disponible como accesorio, no viene incluido)  
La guía de corte es conveniente para realizar cortes desgarrados y repetidos cortes del mismo ancho.

- Desmonte la batería.
- Inserte la guía de corte al hilo y ajuste el ancho de corte. (Consulte la Fig. 10.)
- Apriete firmemente el tornillo para fijar la guía de corte.

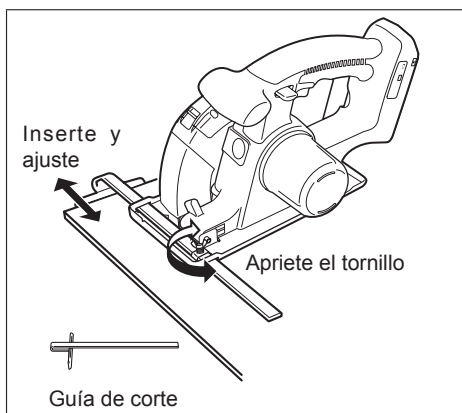


Fig. 10

## Recolección del polvo

### ⚠ADVERTENCIA

- \* Antes de cortar materiales metálicos, siempre vacíe la caja de polvo, abra la cubierta frontal y extraiga el polvo.
- El uso de la sierra con materiales inflamables en la caja de polvo para cortar materiales metálicos puede resultar en fuego.
- \* Cuando corte materiales metálicos, siempre use la sierra con la caja de polvo instalada.
- Las chispas y virutas metálicas que vuelan pueden causar lesiones.
- \* Cuando corte materiales metálicos, no instale una aspiradora. Las chispas y las virutas metálicas calientes pueden causar que se produzca fuego en el vacío. Opere la aspiradora de acuerdo con sus instrucciones.

### (1) Recolecte polvo en la caja de polvo.

- \* Vacíe la caja de polvo cuando esté llena con polvo.
- \* Vacíe la caja de polvo antes de almacenar la sierra.
- \* Capacidad de la caja de polvo
  - Cuando corte el conducto eléctrico con un diámetro de 25 mm (1") aproximadamente 130 cortes
  - Cuando corte 45 mm (1-25/32") x 45 mm (1-25/32") de madera, aproximadamente 150 cortes

### NOTA:

Algunos materiales pueden causar que el polvo se atasque dentro de la cubierta frontal durante el corte de estos materiales.

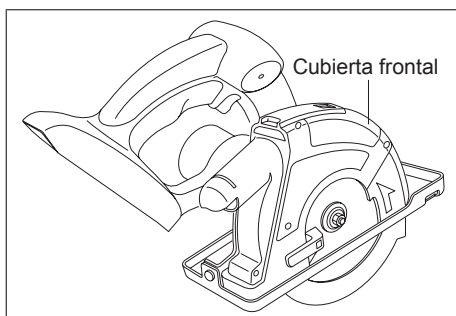


Fig. 11

### (2) Sella con una aspiradora para recolectar el polvo.

- \* Conecte la sierra a la manguera usando el adaptador de la manguera de la aspiradora EY9X012E (vendido separadamente). Diámetro interno de la manguera compatible. 25 mm (1") a 38 mm (1-2/1")
- \* Opere la aspiradora de acuerdo con sus instrucciones.

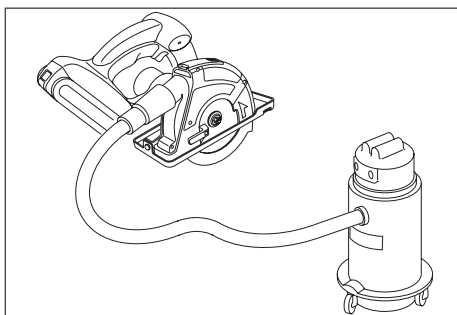


Fig. 12

### NOTA:

Cuando la sierra tenga dificultad en expulsar o recolectar el polvo, la salida del polvo puede estar atascada con polvo. Abra la cubierta frontal y remueva el polvo.

## Luz LED

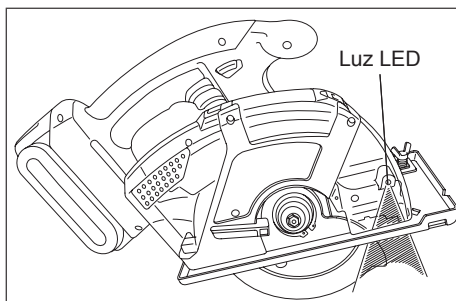


Fig. 13

La luz indicadora se ilumina cuando se pulsa el interruptor de alimentación y se apaga cuando se suelta el interruptor de alimentación.

- La luz se enciende con muy poca corriente y no afecta adversamente el funcionamiento del destornillador durante el uso o la capacidad de la batería.

#### PRECAUCIÓN:

- La luz LED integrada se ha diseñado para iluminar la pequeña área de trabajo temporalmente.
- No lo utilice en lugar de una linterna normal ya que no tiene suficiente brillo.

**Precaución: NO MIRE FIJAMENTE EL HAZ DE LUZ.**

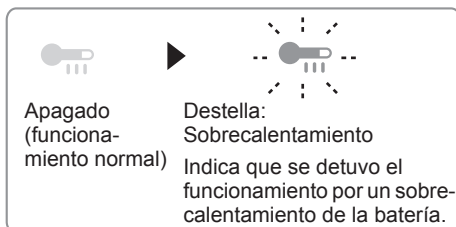
El uso de controles o ajustes o la realización de otros procedimientos que no sean los especificados puede producir una exposición a radiación peligrosa.

## Panel de control



(1) (2) (3)

### (1) Luz de advertencia de sobrecalentamiento



La característica de protección de sobrecalentamiento detiene la operación de la herramienta para proteger el paquete de baterías en caso de sobrecalentamiento. La lámpara de advertencia de sobrecalentamiento en el panel de control parpadea cuando esta característica está activa.

- Si la característica de protección de sobrecalentamiento se activa, permita que la herramienta se enfríe completamente (al menos 30 minutos). La herramienta está lista para ser usada cuando la lámpara de advertencia de sobrecalentamiento se apaga.
- Evite usar la herramienta en alguna manera que cause que la característica de protección de sobrecalentamiento se active repetidamente.

- Si la herramienta se usa en condiciones de temperatura fría (tal como durante el invierno) o si se detiene con frecuencia durante el uso, la protección contra sobrecalentamiento quizás no se active.

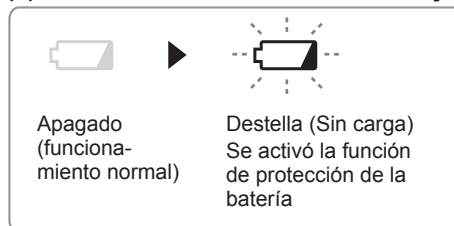
El funcionamiento de la EY9L42 se deteriora mucho por debajo de los 10 °C debido a las condiciones de trabajo y a otros factores.

- La variación de temperatura ambiente es de entre 0 °C (32 °F) y 40 °C (104 °F).

Si la batería se utiliza cuando la temperatura de la batería es inferior a 0 °C (32 °F), la herramienta puede no funcionar correctamente.

- Cuando se vaya a cargar una batería fría (unos 0 °C (32 °F) o menos) en un cuarto cálido, deje la batería en la habitación durante al menos una hora y cárguela cuando se haya calentado a la temperatura de la habitación.

### (2) Luz de advertencia de batería baja



La descarga excesiva (completa) de las baterías de iones de litio acorta su vida de servicio dramáticamente. La herramienta incluye una característica de protección de la batería diseñada para evitar la descarga excesiva del paquete de baterías.

- La función de protección de batería se activa inmediatamente antes de que la batería se quede completamente sin carga haciendo que destelle la luz de advertencia batería baja.
- Si se da cuenta que destella la luz de advertencia de batería baja, cargue inmediatamente la batería.
- Si se comienza con poca batería restante, la herramienta puede que pare de funcionar sin que parpadee primero la lámpara de advertencia de batería baja. Esto indica que hay muy poca potencia restante en la batería para usar la herramienta, y el paquete de batería debe ser cargada antes de seguir usándola.
- Si la herramienta está sujeta a una carga repentina durante su uso que cause que el motor de bloquee, puede que se dispare el sensor de prevención de sobrecarga, y la lámpara de advertencia de batería baja puede parpadear. La lámpara parará de parpadear una vez que se aborde la causa del bloqueo del motor y disparo de ciclo.

### PRECAUCIÓN:

La función de prevención de exceso de descarga funciona incluso cuando están parpadeando la luz indicadora y la luz de aviso de baja carga de batería.

- Cargue el paquete de baterías inmediatamente, ya que la carga de la batería se está agotando.
- Al cargar un paquete de baterías en frío (por debajo de 0 °C (32 °F)) en un entorno cálido, mantenga el paquete de baterías en dicho entorno y espere más de una hora para que la batería se caliente hasta alcanzar el nivel de la temperatura ambiente.
- Reduzca y corte la alimentación aplicada, ya que el voltaje de la batería está cayendo en picado debido a la elevada carga de actividad a la que se somete al motor. No realice operaciones que provoquen repetidamente la activación de la función de prevención de exceso de descarga.

### Utilización adecuada (detalles adicionales)

#### ⚠ADVERTENCIA

Para evitar el riesgo de heridas personales graves:

- Es importante utilizar un equipo adecuado para sujetar correctamente el material que se está cortando y sujete correctamente la sierra con ambas manos para evitar una pérdida de control que pudiera causar heridas personales.
- La figura 14 muestra la posición de corte correcta.
- Mantenga las manos alejadas del área de corte.
- Cerciórese de que las personas cercanas se alejen del ambiente de trabajo y de debajo de la pieza de trabajo.
- Cuando corte, no trate de sujetar el material con su mano.

#### Corte de hojas grandes;

Sujete las hojas grandes. Asegúrese de ajustar la profundidad del corte para que sólo corte por la pieza de trabajo y no los soportes (Consulte la Fig. 15.)

Las hojas grandes se doblan o curvan si no tienen soporte correcto. Si trata de cortar sin nivelar y soportar correctamente la pieza de trabajo, la cuchilla tendrá tendencia a atascarse, provocando un retroceso (Consulte la Fig. 16.)

- No sujete el material lejos del corte.

#### Corte materiales finos o corrugados;

Corte materiales finos o corrugados a por lo menos 25 mm (1") del borde de la pieza de trabajo para evitar heridas o daños a la herramienta debido a las tiras finas de metal que entren en el protector superior de la cuchilla.

- Utilice solamente cuchillas afiladas. Limpie y afile las cuchillas para evitar que se atasquen y el contraGolpe.

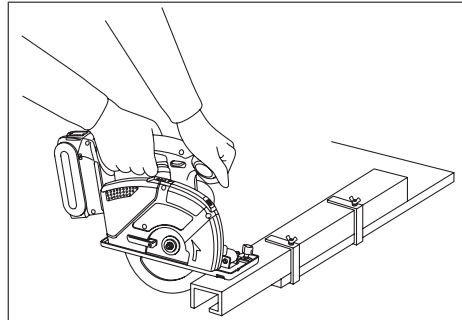


Fig. 14

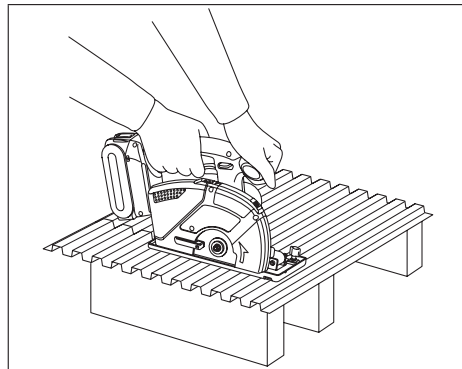


Fig. 15

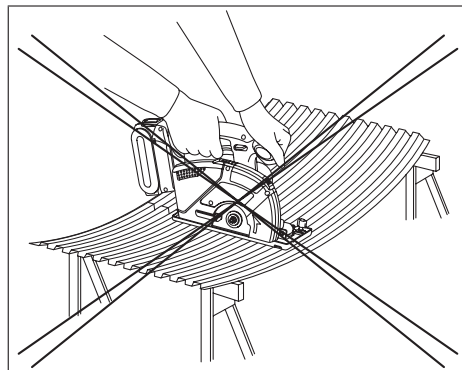


Fig. 16

### ⚠ADVERTENCIA

Para evitar el riesgo de heridas personales graves:

- Cuando se haga un corte incompleto o se interrumpa el corte o la cuchilla está atascada o la sierra se para: suelte inmediatamente el interruptor de alimentación y mantenga la sierra sin mover en el material hasta que se pare completamente la cuchilla.
- Para evitar el retroceso, no intente nunca separar la sierra de la pieza de trabajo ni de moverla hacia atrás mientras la cuchilla esté en funcionamiento. Cerciñese de que la cuchilla se haya parado completamente, y después quite la sierra de la pieza serrada.
- Para continuar el corte, arranque la sierra, permita que la cuchilla alcance su velocidad plena, reingrese al corte lentamente y reanude el corte.

1. Coloque la parte más ancha de la zapata en la parte de la pieza de trabajo que está soportada sólidamente (consulte la Fig. 17), nunca en la sección que caiga cuando se haga el corte (consulte la Fig. 18).

Sujete firmemente la sierra para evitar perder su control. El trabajar sin cuidado podría causar daños personales serios.

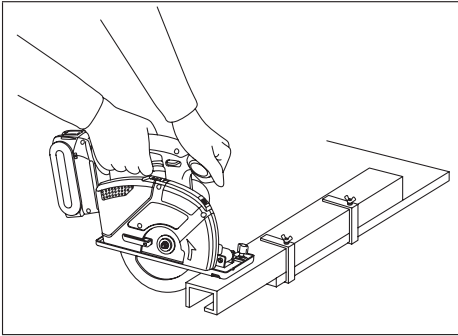


Fig. 17

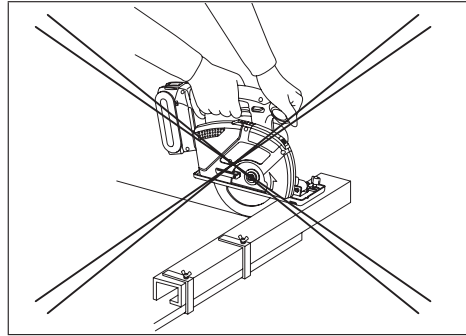


Fig. 18

2. Cerciñese de que la cuchilla esté parada.

Aunque su herramienta tiene un freno, antes de poner la herramienta abajo, asegúrese que la cuchilla se haya detenido completamente y que la protección inferior se haya cerrado.

3. No utilice la sierra si encuentra algo anormal. Quite inmediatamente la batería.

Si el cuerpo de la herramienta se calienta demasiado, o no funciona apropiadamente, extraiga el paquete de baterías y no la use. Haga que un centro de servicio autorizado lo verifique.

### ⚠ADVERTENCIA

Para evitar el riesgo de lesiones personales serias o incendio, no intente reparar la herramienta por sí mismo. Nunca desarme ni modifique el cuerpo de la herramienta. No hay partes que puedan ser reparadas por el usuario en el interior.

4. NO DEJE NUNCA QUE LA SIERRA ENTRE EN CONTACTO CON SU CUERPO.

Después de haber finalizado el corte, no deje que la sierra toque su pierna ni su costado.

Como la protección inferior es retractable, ésta podría engancharse en sus ropas y exponer la cuchilla. Mantenga la ropa alejada de la herramienta. Tenga cuidado con las secciones de cuchilla expuestas que existan en las áreas de protección superior e inferior.

### ⚠ADVERTENCIA

Como al serrar se producirán chispas:

- Utilice siempre gafas de seguridad.
- No use la herramienta cerca de sustancias inflamables ni en áreas donde se usen sustancias inflamables. Se podrían producir lesiones por el fuego y quemaduras.

5. Nunca enganche el seguro de husillo mientras la cuchilla esté operando, ni la enganche en un esfuerzo por detener la herramienta. Nunca encienda el interruptor cuando el seguro de husillo esté enganchado. Se podrían producir serios daños a su herramienta.



## [Bloque de pilas]

### Para un uso adecuado de la batería

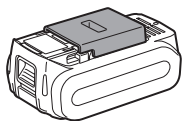
#### Batería de Li-ión

- Para una vida óptima de la batería, guarde la batería de Li-ión siguiendo el uso sin carga.
- Cuando cargue la caja de batería, confirme que los terminales en el cargador de batería estén libres de materias extrañas tales como polvo y agua, etc. Limpie los terminales antes de cargar la caja de batería si hay materias extrañas en los terminales.  
La vida de los terminales de la caja de batería puede verse afectada por materias extrañas tales como polo y agua, etc. durante su funcionamiento.

- Cuando no se utiliza la batería, manténgala separada de otros objetos metálicos, como: clips de papel, monedas, llaves, clavos, tornillos u otros objetos metálicos pequeños que pueden actuar de conexión entre un terminal y el otro.

Un cortocircuito entre los terminales de la batería pueden ocasionar chispas, quemaduras o incendios.

- Cuando haga funcionar con la batería, asegúrese que el lugar de trabajo está bien ventilado.
- Cuando se saca la batería del cuerpo principal de la herramienta, vuelva a cerrar inmediatamente la cubierta de batería, para evitar que el polvo o la suciedad puedan ensuciar los terminales de batería y provocar un cortocircuito.



#### Vida útil de la batería

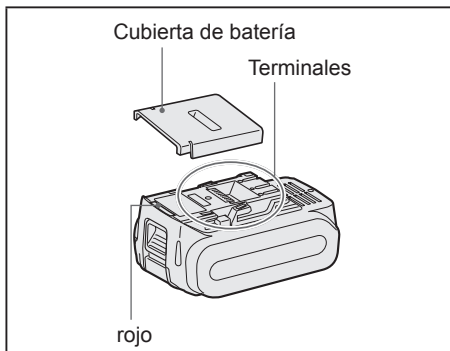
Las baterías recargables tienen una vida útil limitada. Si el tiempo de funcionamiento se acorta mucho tras la recarga, sustituya la batería por una nueva.

#### Reciclado de la batería

##### ATENCIÓN:

Para la protección del medio ambiente y reciclado de materiales, asegúrese de que la desecha en un lugar especificado oficialmente, si hay uno en su país.

#### Recomendaciones de uso



#### Asegúrese de utilizar la cubierta de la caja de batería

- Cuando no utilice la caja de batería, guarde la batería de tal forma que las materias extrañas tales como polvo y agua, etc. ensucien los terminales. Asegúrese de colocar la cubierta de la caja de batería de tal forma de proteger los terminales de la batería.
- Cuando cargue la caja de batería, confirme que los terminales en el cargador de batería estén libres de materias extrañas tales como polvo y agua, etc. Limpie los terminales antes de cargar la caja de batería si hay materias extrañas en los terminales.  
La vida de los terminales de la caja de batería puede verse afectada por materias extrañas tales como polo y agua, etc. durante su funcionamiento.

##### ⚠ PRECAUCIÓN:

Para proteger el motor o la batería, asegúrese de observar lo siguiente cuando efectúe esta operación.

- Si la temperatura de la unidad es elevada, se activará la función de protección y la batería dejará de funcionar.  
La luz de advertencia de sobrecalentamiento del panel de control se ilumina o parpadea cuando esta función se encuentra activada.

#### Para un uso más seguro

- La batería está diseñada para conectarse siguiendo dos pasos por motivos de seguridad. Compruebe que la batería está conectada correctamente en la unidad principal antes de utilizar la herramienta.

- Si la batería no ha quedado bien conectada, al activar el interruptor parpadearán la lámpara de aviso de sobrecalentamiento y la lámpara de aviso de bajo nivel de carga de batería, para indicar que no es posible un funcionamiento seguro, y la unidad principal no girará con normalidad. Conecte la batería a la unidad de la herramienta hasta que el indicador rojo o amarillo desaparezca.

## [Cargador de la batería]

### Carga

#### PRECAUCIÓN:

- El cargador está diseñado para funcionar con alimentación eléctrica doméstica estándar únicamente tal y como se indica en la placa de características. Realice la carga únicamente con la tensión indicada en la placa de características de la unidad. P. ej. 230 V/50 Hz.
- No intente utilizarlo con ninguna otra tensión o frecuencia nominal.
- Si la temperatura del paquete de baterías cae aproximadamente bajo  $-10\text{ }^{\circ}\text{C}$  ( $14\text{ }^{\circ}\text{F}$ ), la carga se detendrá automáticamente para evitar la degradación de la batería.
- No cargue una batería cuya temperatura esté por debajo de  $0\text{ }^{\circ}\text{C}$  ( $32\text{ }^{\circ}\text{F}$ ).
- Cuando se vaya a cargar una batería fría (unos  $0\text{ }^{\circ}\text{C}$  ( $32\text{ }^{\circ}\text{F}$ ) o menos) en un cuarto cálido, deje la batería en la habitación durante al menos una hora y cárguela cuando se haya calentado a la temperatura de la habitación.
- Deje que se enfríe el cargador al cargar más de dos baterías de forma consecutiva.
- No introduzca sus dedos dentro del hueco del contacto, cuando esté sujetando el cambiador o en ninguna otra ocasión.

#### ⚠PRECAUCIÓN:

Para impedir el riesgo de incendio o daños del cargador de batería.

- No tapone los orificios de ventilación del cargador y la batería.
- Desenchufe el cargador cuando no lo utilice.

#### NOTA:

Su batería no está totalmente cargada al momento de comprarla. Asegúrese de cargar la batería antes de utilizarla.

#### Cómo cargar el dispositivo

1. Enchufe el cargador en la fuente de alimentación de CA.

#### NOTA:

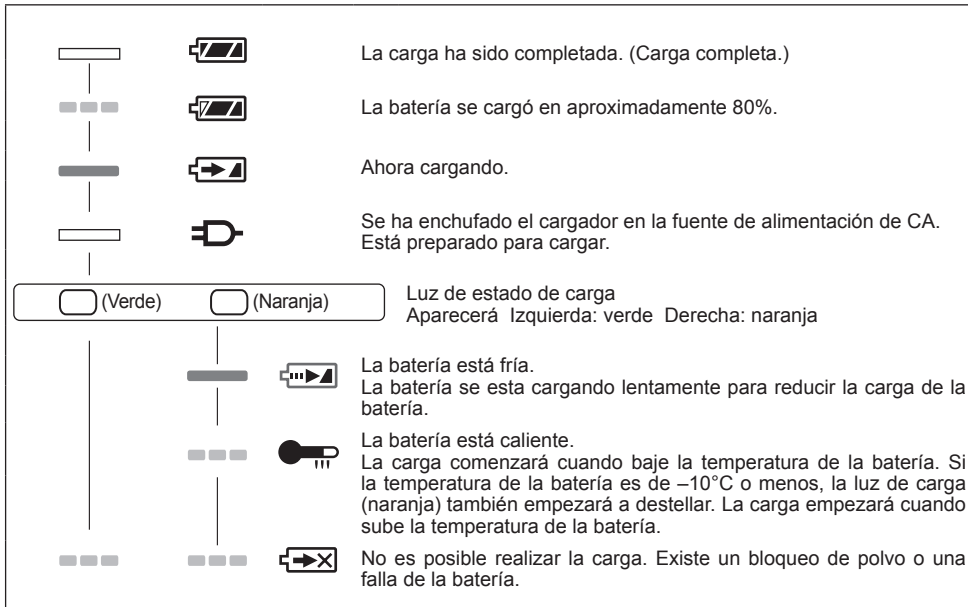
Se pueden producir chispas cuando se inserta el enchufe en la alimentación eléctrica de CA pero este no es un problema en términos de seguridad.

2. Conecte el paquete de batería con firmeza al cargador.
  - 1 Alinee las marcas de alineación y coloque la batería en el enchufe del cargador.
  - 2 Deslice hacia adelante en el sentido de la flecha.



3. Durante el proceso de carga la lámpara de carga permanecerá iluminada. Cuando haya terminado la carga, se accionará automáticamente un conmutador electrónico interno para impedir cualquier sobrecarga.
  - No podrá cargar la batería si ésta está todavía caliente (por ejemplo, inmediatamente después de haber trabajado mucho). La luz de espera naranja seguirá destellando hasta que se enfríe la batería. La carga comenzará automáticamente.
4. La luz de carga (verde) destellará lentamente cuando la batería se haya cargado a un 80%.
5. Cuando se completa la carga, la luz de carga en verde se apagará.
6. Si la temperatura de la batería es de  $0\text{ }^{\circ}\text{C}$  o menos, la batería demora más en cargarse completamente que el tiempo de carga normal. Incluso cuando la batería esté completamente cargada, tendrá aproximadamente 50% de la carga de una batería totalmente cargada a la temperatura de funcionamiento normal.
7. Si no se enciende la luz (verde) de carga consulte con un concesionario autorizado.
8. Si se vuelve a colocar una batería totalmente cargada en el cargador, se encenderá la luz de carga. Luego de algunos minutos, la lámpara de carga en verde se apagará.

## Indicación de la lámpara



Apagada

Encendida

Parpadeando

## Información para Usuarios sobre la Recolección y Eliminación de aparatos viejos y baterías usadas



Estos símbolos en los productos, embalajes y/o documentos adjuntos, significan que los aparatos eléctricos y electrónicos y las baterías no deberían ser mezclados con los desechos domésticos.



Para el tratamiento apropiado, la recuperación y el reciclado de aparatos viejos y baterías usadas, por favor, observe las normas de recolección aplicables, de acuerdo a su legislación nacional y a las Directivas 2002/96/CE y 2006/66/CE.



Al desechar estos aparatos y baterías correctamente, usted estará ayudando a preservar recursos valiosos y a prevenir cualquier potencial efecto negativo sobre la salud de la humanidad y el medio ambiente que, de lo contrario, podría surgir de un manejo inapropiado de los residuos.

Para mayor información sobre la recolección y el reciclado de aparatos y baterías viejos, por favor, contacte a su comunidad local, su servicio de eliminación de residuos o al comercio donde adquirió estos aparatos.

Podrán aplicarse penas por la eliminación incorrecta de estos residuos, de acuerdo a la legislación nacional.

## Para usuarios empresariales en la Unión Europea

Si usted desea descartar aparatos eléctricos y electrónicos, por favor contacte a su distribuidor o proveedor a fin de obtener mayor información.

## [Información sobre la Eliminación en otros Países fuera de la Unión Europea]

Estos símbolos sólo son válidos dentro de la Unión Europea. Si desea desechar estos objetos, por favor contacte con sus autoridades locales o distribuidor y consulte por el método correcto de eliminación.

## V. MANTENIMIENTO

### ⚠ADVERTENCIA

Para evitar lesiones personales severas, siempre remueva el paquete de baterías de la herramienta antes de comenzar cualquier procedimiento de mantenimiento.

### PRECAUCIÓN:

Para asegurar la SEGURIDAD y FIABILIDAD del producto, el mantenimiento deberá realizarlo un centro de reparaciones autorizado. Insista siempre en recurrir a piezas de recambio genuinas de Panasonic.

## Limpieza de la herramienta

Mantenga su herramienta limpia para tener un buen rendimiento de corte, y que mantenga su seguridad de uso.

### Siga los pasos siguientes:

1. Extraiga el paquete de baterías de la herramienta.
2. Limpie la herramienta con un paño seco y suave. No use un paño húmedo ni líquidos de limpieza. Éstos podrían dañar la terminación de la sierra.
3. Asegúrese de limpiar el aceite y la grasa que podrían hacer que la herramienta quedara resbalosa o difícil de manipular.
4. Quite la cuchilla y cepille el polvo.

### PRECAUCIÓN:

- Para evitar daños personales o de la unidad, no sumerja ninguna parte de la herramienta en ningún líquido.
- Para el caso en que el interior de la herramienta o el paquete de pilas estén expuestos al agua, drénelo o séquelo lo antes posible. Retire cuidadosamente cualquier polvo o restos de acero que queden dentro de la herramienta. Si experimenta problemas durante el funcionamiento de la herramienta consulte con su servicio de reparaciones.

## Protector transparente

### ⚠ADVERTENCIA

Si la protección está quebrada, o rota, lleve la herramienta a un centro de servicio autorizado para reemplazo. No intente operar la sierra. Podría resultar en una lesión personal seria. Nunca use su herramienta con una protección transparente dañada o sin la protección transparente instalada. Las virutas volantes podrían resultar en lesiones serias.

## VI. ACCESORIOS

### ⚠ADVERTENCIA

- El uso de cualquier otro accesorio no especificado en este manual puede causar incendios, golpes eléctricos o lesiones personales. Utilice sólo los accesorios recomendados.
- Utilizar una cuchilla para cortar un material más grueso o más delgado de lo recomendado para la cuchilla causará un corte basto, y podría incrementar el riesgo de una "reculada" u otro tipo de lesiones.

Cuchilla de punta de carburo para metal

- EY9PM13E

Para cortar material ferroso no endurecido

Espesor del material

0,5 mm – 6,0 mm

Cuchilla de punta de carburo para metal delgado (accesorio opcional)

- EY9PM13F

Para cortar material delgado ferroso no endurecido que requiera de un borde de corte limpio

Espesor del material

0,5 mm – 6,0 mm

Cuchilla de punta de carburo para madera (accesorio opcional)

- EY9PW13C

Para cortar madera en general

Cuchilla de punta de carburo para madera delgada (accesorio opcional)

- EY9PW13D

Para cortar madera delgada que requiera de un borde de corte limpio

Espesor recomendado del material hasta 12 mm

Cuchilla de punta de carburo para plástico (accesorio opcional)

- EY9PP13C

Para cortar plástico

Espesor recomendado para placas de material acrílico y cloruro de vinilo:

2,0 mm – 5,0 mm

placas corrugadas, tuberías

0,8 mm – 5,0 mm

Adaptador de manguera de aspiradora (accesorio opcional)

- EY9X012E

Guía de corte (accesorio opcional)

- EY3500B7727

Para conveniencia de cortes al hilo y corte repetido de ancho uniforme

## VII. ESPECIFICACIONES

### NOTA:

Indicación de peso

Mayor o igual que 1 kg: se indica redondeando a 0,05 kg.

Menor que 1 kg : se indica redondeando a 0,01 kg.

### UNIDAD PRINCIPAL

N.º de modelo	EY45A2				
Tensión del motor	DC 14,4 V		DC 18 V		
Velocidad de la cuchilla	3600 rpm (min <sup>-1</sup> )		4500 rpm (min <sup>-1</sup> )		
Tamaño de la cuchilla Diámetro exterior Tamaño del mandril	135 mm 20 mm				
Profundidad máximo de serrado	0 - 46 mm (hoja de $\Phi$ 135 mm blade)				
Torsión máxima	5,4 N•m		6,7 N•m		
Longitud total	292 mm (solo unidad principal)				
Peso	2,05 kg (solo unidad principal)				
Baterías	Paquetes de baterías de iones de litio				
	EY9L42	EY9L44	EY9L45	EY9L50	EY9L51
	DC 14,4 V		DC 18 V		
Ruido Vibración	Consulte la hoja incluida.				

### CARGADOR DE BATERÍA

N.º de modelo	EY0L82					
Capacidad eléctrica nominal	Vea la placa de especificaciones en la parte inferior del cargador.					
Peso	0,93 kg					
Tiempo de carga	N.º de modelo	EY9L42	EY9L44	EY9L45	EY9L50	EY9L51
	Utilizable	30 min.	40 min.	50 min.	40 min.	55 min.
	Completa	35 min.	55 min.	60 min.	55 min.	70 min.

**NOTA:** Este cuadro puede contener modelos no disponibles en su país.

Consulte el más reciente catálogo general.

Puede consultar el nombre y la dirección del concesionario en la tarjeta de garantía que se incluye.

## VIII. APÉNDICE

### SUPLEMENTO DE GARANTÍA

- La rotura y los daños causados por un uso constante durante periodos de tiempo prolongados (p. ej.: trabajos en la línea de montaje de una factoría, etc.) no están cubiertos por la garantía.
- Los daños o fallos provocados por el uso de accesorios no especificados en este manual no estarán cubiertos por la garantía.

**Oprindelige instruktioner: Engelsk**  
**Oversættelse af de oprindelige instruktioner:**  
**Andre sprog**

**Læs hæftet med "Sikkerhedsinstruktioner" samt det følgende før brug.**

## I. INTRODUKTION

Dette produkt er en akku-multifunktionsskærer. Hvis man skifter blad, kan den anvendes til at skære træ, metal og plastic. Støv kan opsamles af en integreret støvopsamler eller via en tilsluttet støvsuger (ved at slangen sættes på skæreren).

### ⚠ FARE

Dette produkt er et skæreværktøj, som er beregnet til at skære gennem metal og træ. Det har en roterende kling, som kan forårsage store personskader, endog skader med døden til følge. Derfor bør brugeren omhyggeligt gennemlæse denne manual og advarselsmærkaterne på maskinen og overholde alle sikkerhedsinstruktionerne for at undgå at komme til skade.

### ⚠ ADVARSEL

For at undgå skader, bør du aldrig stikke fingre eller andet ind i nogen af værktøjets åbninger.

### ⚠ ADVARSEL

**Læs alle sikkerhedsadvarsler og alle instruktioner.**

Hvis alle advarsler og instruktioner ikke overholdes, kan resultatet blive elektrisk stød, brand og/eller anden alvorlig tilskadekomst.

## Brugen af denne manual

- Gennemlæs venligst denne manual, inden værktøjet tages ibrug. Hvis du lader andre benytte værktøjet, skal du sikre dig, at de enten har gennemlæst denne manual eller er fuldt informeret om sikker anvendelse af værktøjet og alle sikkerhedsforhold omkring værktøjet.
- Gem venligst denne manual, så den kan konsulteres ved senere lejligheder. Den indeholder vigtig information om de sikkerhedsforhold, som skal iagttages ved brugen af værktøjet.
- I denne manual og på produktet benyttes følgende advarselsbetegnelser:

### BEMÆRK

Bemærkninger, som giver yderligere information, som du bør vide om værktøjet.

### FORSIGTIG

Forsigtig henviser til situationer, hvor en mulig farlig situation kan opstå og medføre skader, hvis der ikke passes på. Forsigtig anviser også, hvordan du undgår forkert anvendelse.

### ADVARSEL

Advarsel henviser til en mulig farlig situation, som kan medføre alvorlige skader og endog døden, hvis de ikke undgås.

### FARE

Fare henviser til overhængende fare, som kan medføre alvorlige skader og endog døden, hvis de ikke undgås.

**Læs hæftet med sikkerhedsinstruktionerne og nedenstående før brugen.**

## II. YDERLIGERE SIKKERHEDSINSTRUKTIONER

### Sikkerhedsinstruktioner for alle save

#### ⚠ FARE

- 1) **Sørg for, at hænderne ikke kommer i nærheden af saveområdet og savbladet. Hold den anden hånd på hjælpehåndtaget eller motorhuset.** Hvis begge hænder holder save, kan save ikke skade dem.

- 2) **Ræk ikke hænderne ned under arbejdsstedet.** Skærmen kan ikke beskytte dig mod bladet under arbejdsstykket.
- 3) **Indstil skæredybden til tykkelsen af arbejdsstykket.** Mindre end en hel tand af savbladstænderne bør kunne ses under arbejdsstykket.
- 4) **Hold aldrig det stykke, der skal skæres, i hænderne eller hen over benene. Fastgør arbejdsstykket til en stabil platform.** Det er vigtigt, at understøtte arbejdsstykket ordentligt for at mindske risikoen for personskade, bladbinding eller at herredømmet over saven mistes.
- 5) **Hold altid værktøjet i de isolerede grebflader, når der udføres et arbejde, hvor saven kan komme i berøring med skjulte ledninger eller dens egen ledning.** Kontakt med strømførende ledninger vil også gøre udsatte metaldele på værktøjet strømførende og medføre, at brugeren får stød.
- 6) **Ved savning på tværs af årener, bør der altid anvendes en savskærm eller en lige styreliste.** Dette forbedrer skærenøjagtigheden og mindsker risikoen for bladbinding.
- 7) **Anvend altid blade af korrekt størrelse og form (diamant kontra ring) på dornhuller.** Blade, der ikke passer til savens monteringsudstyr, vil bevæge sig excentrisk og bevirke, at herredømmet over saven mistes.
- 8) **Anvend aldrig beskadigede eller forkerte bladspændeskiver.** Bladspændeskiverne og boltene er specialfremstillede til saven for at opnå optimal ydelse og sikkerhed under arbejdet.

## Yderligere sikkerhedsinstruktioner for alle save

### Årsager til tilbageslag og hvordan brugeren kan forhindre dem:

- Tilbageslag er en pludselig reaktion af et savblad, der er klemt, bundet eller ikke rettet op, hvorved en ukontrolleret sav hæver sig fra arbejdsstykket mod brugeren.
- Når savbladet er klemt eller bundet stramt af savsnittet, standser bladet og motorreaktionen fører hurtigt saven tilbage mod brugeren.
- Hvis savbladet vrides eller drejes under skæringen, kan tænderne på savbladets bagkant tage fat i træets øverste overflade og forårsage, at savbladet hopper op af savsnittet og springer tilbage mod brugeren.

Tilbageslag er resultatet af forkert anvendelse af værktøjet og/eller ukorrekte betjeningsmåder eller -forhold og kan undgås ved at man træffer passende forholdsregler, som angivet herunder.

- 1) **Tag et fast greb i saven med begge hænder og hold armene sådan, at du kan modstå et tilbageslag. Stå på en af siderne af savbladet, men ikke på linje med savbladet.**  
Tilbageslag kan bevirke, at saven springer tilbage mod brugeren, men tilbageslag kan kontrolleres af brugeren, hvis der tages passende forholdsregler.
- 2) **Hvis savbladet binder, eller hvis skæringen afbrydes af en eller anden årsag, skal afbryderen slippes og saven holdes ubevægelig i materialet, indtil savbladet standser helt. Forsøg aldrig at fjerne saven fra arbejdsstykket eller trække saven tilbage, mens savbladet er i bevægelse, da dette kan resultere i tilbageslag.**  
Undersøg og træf korrigerende forholdsregler for at fjerne årsagen til bladbinding.
- 3) **Ved fornyet start af en sav i arbejdsstykket, skal savbladet anbringes midt i savsnittet, og det skal kontrolleres, at savtænderne ikke er trængt ind i materialet.**  
Hvis savbladet binder, kan det springe op eller slå tilbage, når saven startes igen.
- 4) **Understøt store plader for at mindske risikoen for, at savbladet kommer i klemme og slår tilbage.**  
Store plader er tilbøjelige til at synke sammen under deres egen vægt. Det er derfor nødvendigt at anbringe støtter under pladen på begge sider nær skæringslinjen og pladekanten.
- 5) **Anvend ikke sløve eller beskadigede savblade.**  
Uskærpede eller forkert anbragte savblade giver et smalt savsnit, hvilket resulterer i en for stor friktion, bladbinding og tilbageslag.
- 6) **Låsearmene, med hvilke savbladsdybde og -vinkel indstilles, skal være stramme og sikrede før skæring.**  
Hvis savbladsindstillingen ændrer sig under skæringen, kan der opstå bladbinding og tilbageslag.
- 7) **Udvis ekstra forsigtighed ved skæring af et "lommensnit" i eksisterende vægge eller andre skjulte områder.**  
Et savblad, der stikker frem, kan komme til at skære i objekter, hvilket kan resultere i tilbageslag.

## Sikkerhedsinstruktioner for denne sav

- 1) **Kontroller, at den nederste skærm er lukket korrekt for hver anvendelse. Saven må ikke betjenes, hvis den nederste skærm ikke bevæger sig frit og lukker omgående. Den**

nederste skærm må aldrig klemmes eller bindes fast i åben position.

Hvis værktøjet ved et uheld tabes, kan den nederste skærm blive bøjet. Løft den nederste skærm med tilbagetrækningshåndtaget og bekræft, at den bevæger sig frit og ikke berører bladet eller andre dele og skæredybder.

- 2) **Kontroller den nederste skærmfjederes funktion.** Hvis skærmen og fjederen ikke fungerer korrekt, skal de serviceres før brugen. Den nederste skærm kan fungere trægt på grund af beskadigede dele, gummiagtige aflejringer eller ansamlinger af snavs.
- 3) **Den nederste skærm bør kun trækkes tilbage manuelt ved særlige skæringer som "lommesnit" og "kombinerede snit".** Løft den nederste skærm med tilbagetrækningshåndtaget. Så snart bladet trænger ind i materialet, skal den nederste skærm udløses.

Ved alle andre savemåder skal den nederste skærm fungere automatisk.

- 4) **Kontroller altid, at den nederste skærm dækker savbladet, før saven anbringes på bænk eller gulv.**

Et ubeskyttet, fritkørende blad vil bevirke, at saven ryger tilbage og skærer i alt, hvad der ligger i vejen. Vær opmærksom på den tid, det tager for savbladet at standse, efter at afbryderen er aktiveret.

- 5) **Anvend aldrig slibeskiver.**
- 6) **Brug støvmaske, hvis arbejdet frembringer støv.**
- 7) **Anvend kun savblade, som anbefales af fabrikanten.**
- 8) **Brug høreværn, hvis saven skal anvendes i et længere tidsrum.**
- 9) **Risikoen for tilbageslag øges, efterhånden som batteripakningen aflades.**
- 10) **Husk at undersøge materialet. Skær ikke i andet slags materiale.**
- 11) **Vær påpasselig med ikke at tabe værktøjet.**
- 12) **Sving aldrig værktøjet.**
- 13) **Tildæk aldrig ventilationsåbningerne, og hold dem fri for støv og andet materiale.**
- 14) **Spænd aldrig værktøjet fast i en skruestik. Anvend aldrig værktøjet på hovedet i en skruestik. Dette er ekstremt farligt og kan føre til alvorlige ulykker.**
- 15) **Anvend aldrig strikkede handsker.**
- 16) **Kontroller, at der ikke befinder sig nogen personer nedenunder, når du anvender værktøjet på et højt sted.**
- 17) **Rør ikke ved savbladet umiddelbart efter brugen. Det kan være meget varmt og kan give brandskader.**

18) **Rør ikke ved materialet, efter at det er afskåret. Afskåret materiale kan være meget varmt.**

19) **Anvend ikke skæreolie. Anvendelse af skæreolie kan være årsag til brand.**

20) **Sav ikke i arbejdsemner, som er dækket af eller er plettet af gas, olie, opløsningsmidler, fortynder og lignende.**

Udsættelse for disse materialer kan beskadige den gennemsigtige skærm.

21) **Fjern ikke den gennemsigtige skærm eller de nederste skærme. Hvis disse lider overlast eller mangler, skal du sende værktøjet tilbage til et autoriseret service-center for at få det repareret.**

22) **Start ikke savbladet, mens det er i kontakt med arbejdsstykket. Vent indtil savbladet er kommet op på fuld hastighed, inden du begynder at skære.**

## Symbol

Symbol	Betydning
V	Volt
	Jævnstrøm
$n_0$	Ingen belastningshastighed
$\dots \text{ min}^{-1}$	Omdrejninger eller frem- og tilbagegående bevægelse
A	Ampere
	For at reducere risikoen for tilskadekomst, skal brugeren læse og forstå brugsvejledningen.
	Kun til indendørs brug

### ⚠ ADVARSEL

- Benyt ikke andre batteripakninger end Panasonic-batteripakninger, som er beregnet til brug med dette genopladelige værktøj.
- Panasonic kan ikke holdes ansvarlig for skader eller uheld, som er forårsaget af anvendelse af en genbrugt batteripakning eller en ikkeoriginal batteripakning.



- Bortskaf ikke batteripakningen ved at smide den på åben ild og udsæt den ikke for ekstrem varme.
- Undlad at slå ting som søm i batteripakningen, udsætte den for stød, adskille den eller forsøge at ændre den.
- Lad ikke metalgenstande komme i berøring med batteripakningens terminaler.
- Undlad at transportere og opbevare batteripakningen i den samme beholder som indeholder søm eller andre lignende metalgenstande.
- Oplad ikke batteripakningen på et sted med høje temperaturer, som for eksempel i nærheden af åben ild eller direkte sol. Dette kan bevirke, at batteriet overophedes, bryder i brand eller eksploderer.
- Benyt aldrig andre opladere end den beregnede til opladning af batteripakningen. Dette kan bevirke, at batteriet lækker, overophedes eller eksploderer.
- Når batteripakningen er taget af værktøjet eller opladeren, skal man altid huske at sætte pakningsdækslet på. Hvis dette ikke gøres, er der risiko for, at batterikontakterne kortsluttes, hvilket kan være årsag til brandfare.
- Når batteripakningen er udtjent, skal den skiftes ud med en ny.  
Fortsat anvendelse af en beskadiget batteripakning kan resultere i varmedannelse, antænding og revner i batteriet.

1. Tilslutning af batteripakningen (Se Fig. 2)  
Sæt de fremhævede flugtemærker på linje og sæt batteripakningen på.
  - Skyd batteripakningen i stilling, indtil den klikker på plads.

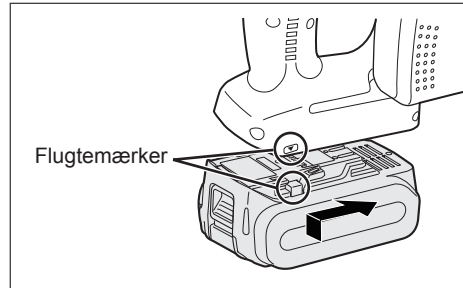


Fig. 2

2. Udtagning af batteripakningen (Se Fig. 3)  
Tryk knappen ned og skub batteripakningen fremad.

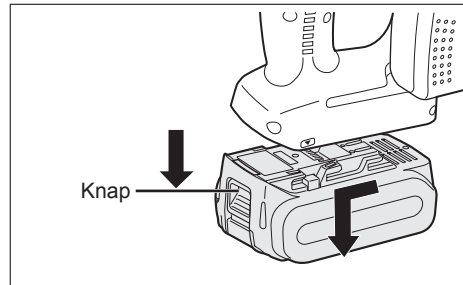


Fig. 3

## III. MONTERING

### Isætning og udtagning af batteripakningen

#### FORSIGTIG:

Inden isætningen af batteripakningen, skal man kontrollere, at afbryderkontakten på værktøjet fungerer korrekt og returnerer til positionen "OFF", når den slippes.

## IV. BETJENING

### Inden brug af værktøjet

Dette værktøj er beregnet til skæring i uhardet, jernholdigt metal, træ og plastic. Se afsnittet "Tilbehør" angående en liste over savblade til anvendelse med dette værktøj. Nedenstående forholdsregler bør træffes, så risikoen for tilskadekomst reduceres;

- Skær ikke i stakke. Skær et arbejdsstykke ad gangen.
- Skær ikke i hærdet stål.
- Skær materialer med den bredeste kant af skærepraden over den fastspændte side af materialet.
- Rør ikke ved savbladet, arbejdsemnet eller spånerne med de bare hænder umiddelbart efter skæringen. De kan være varme og give forbændinger.

Hver gang du benytter værktøjet, skal du kontrollere, at det fungerer korrekt.

Benyt følgende checkliste:

1. Er klingens monteret med den rigtige skæretretning?  
Pilen på klingens skal pege i samme retning, som pilen på den øverste klingebeskytter.
2. Er klingens monteret korrekt?  
Kontroller at den sekskantede bolt er ordentligt sikret. (Se Fig. 6.)
3. Ser klingens ud, som den skal?  
Udskift klingens omgående, hvis der er revner i den eller nogle af tænderne er knækket af.
4. Virker den nederste klingebeskytter korrekt?

#### ⚠ ADVARSEL

For at undgå skader, må man ikke benytte værktøjet, hvis den nederste skærm ikke lukker hurtigt om klingens.

5. Er den gennemsigtige skærm korrekt monteret?
6. Er batteripakningen opladet og indsat ordentligt i værktøjet?
7. Er dybdeindstillingsmøtrikken til skæring ordentligt strammet?
8. Er arbejdsstykket ordentligt fastspændt på en savbuk eller en bænk?
9. Er støvopsamleren eller frontdækslet tilstoppet af støv?
10. Brug kun klinger med en højere nominel hastighed end den for hovedenheden.  
Klingen kan blive beskadiget, hvis klingens anvendes under den nominelle hastighed for hovedenheden.

Frigør frontdækslets låseknop og fjern alt støv, som har samlet sig inde under dækslet. Hvis dækslet er tilstoppet, anvendes en langt instrument, som for eksempel en manuel skruetrækker, til at fjerne snavset. (Se Fig. 4).

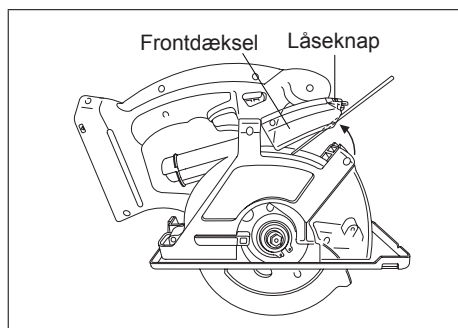


Fig. 4

Hvis der er støv inde i støvopsamleren, skal støvopsamlerens låseknop frigøres, støvopsamleren tages af og støvet fjernes. Når dette er gjort, sættes støvopsamleren på plads igen. (Se Fig. 5).

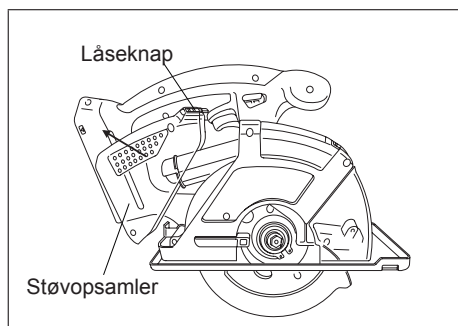


Fig. 5

## Montering af klingen

### Følg disse trin:

1. Tag batteripakningen af værktøjet.
2. Fjern alle skærespåner fra området omkring bladet.
3. Benyt tilbagetrækningshåndtaget til at tilbagetrække (åbne) den nederste skærm.
4. Montér klingen, som vist ovenfor. (Se Fig. 6.) Kontrollér at både klingens retning og retningsspilen på den gennemsigtige klingebeskytter peger i den samme retning.
5. Sæt den udvendige skive på plads.
6. Skru boltene i igen.
7. Hold aksellåseknappen nede. Dette forhindrer savbladet i at rotere.
8. Spænd den sekskantede bolt ordentligt med den medfølgende fastnøgle.

### BEMÆRK:

Opbevar fastnøglen i holderen på maskinen, når den ikke er i brug.

### ⚠ ADVARSEL

Hvis disse instruktioner ikke overholdes, kan resultatet blive alvorlig tilskadekomst.

## Afmontering af klingen

### FORSIGTIG:

Klingen kan være varm efter skæring. Lad klingen køle af, inden den fjernes.

### Følg disse trin:

1. Tag batteripakningen af værktøjet.
2. Hold aksellåseknappen nede. Dette forhindrer savbladet i at rotere.
3. Brug den medfølgende fastnøgle til at løsne den sekskantede bolt.

### BEMÆRK:

Opbevar fastnøglen i holderen på skæreren, når den ikke er i brug.

4. Afmontér den sekskantede bolt og den udvendige skive.
5. Benyt tilbagetrækningshåndtaget til at tilbagetrække (åbne) den nederste skærm.
6. Tag forsigtigt bladet ud.
7. Rengør om nødvendigt værktøjet.

### FORSIGTIG:

Vær forsigtig med ikke at skære dig på klingen.

• Ved bortkastning af klingen skal man sørge for at den er ordentlig indpakket i kraftigt pap eller papir. Dette forhindrer at andre kan skære sig på den bortkastede klinge.

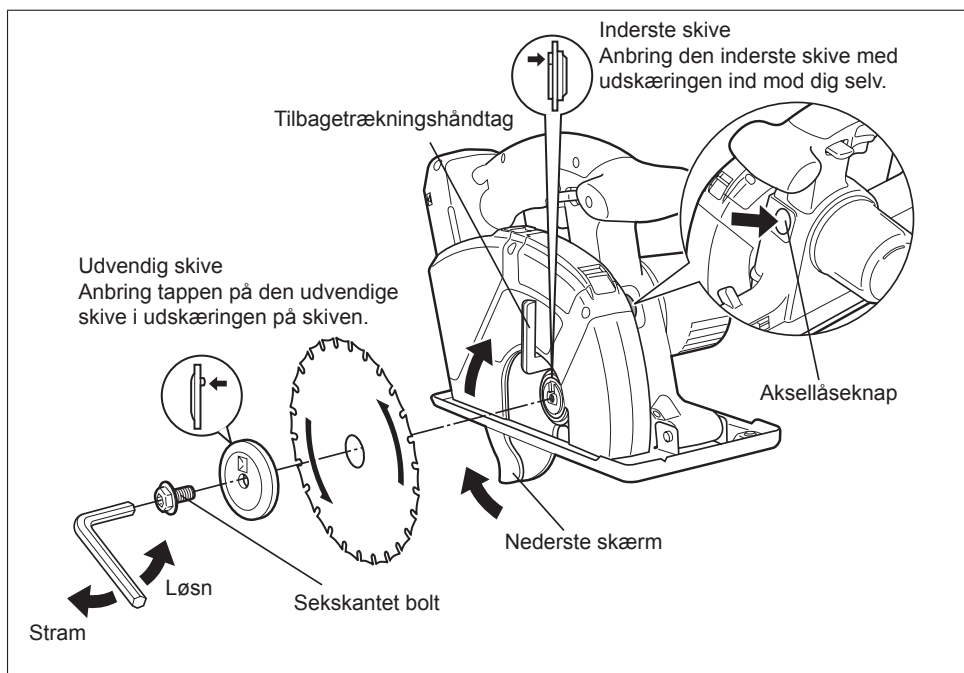


Fig. 6

## Brug af værktøjet

### FORSIGTIG:

For at reducere risikoen for at komme til skade, skal du læse sikkerhedsinformationerne på forsiden af denne manual, inden du begynder at anvende værktøjet.

### ⚠ADVARSEL

For at reducere risikoen for at komme til skade, skal du altid benytte sikkerhedsbriller eller beskyttelsesbriller med sideskærme, når skæren anvendes. Benyt desuden en støvmaske, når du skærer materialer, der frembringer mange støvpartikler. Anvend ikke skæren i regnvejr. Dette kan resultere i elektrisk stød eller bevirke, at skæren udvikler røg.

Skær ikke materialer, på hvilke der findes malingsfortyndere, benzin, olie eller lignende stoffer. Dette kan bevirke, at støvopsamleren revner med tilskadekomst til følge.

### Følg disse trin:

Hold værktøjet med begge hænder. (Se Fig. 8.) Forsøg ikke at fjerne det afskårne materiale, mens bladet er i bevægelse.

1. Ret midten af skærepladen ind med din skærelinje. (Se Fig. 7)

### Indretning efter skærelinjen

- Anbring hakket på skoen over skærelinjen med de øverste og nederste hjørner på den diamantformede åbning ud for linjen.

Eftersom skærepositionen kan variere, afhængigt af savbladet, skal der udføres en prøveskæring.

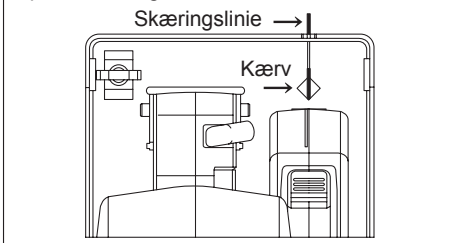


Fig. 7

2. Tryk afbryderlåsen ned og tryk derefter på afbryderen for at starte motoren. Frigør derefter afbryderlåsen.

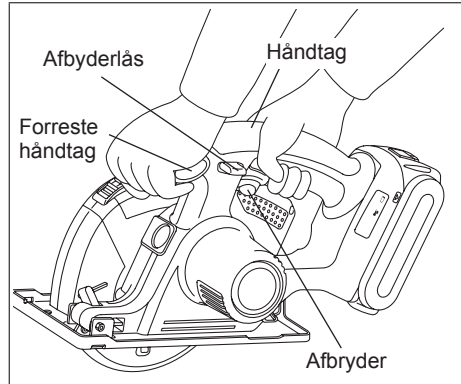


Fig. 8

### FORSIGTIG:

- Kontroller at afbryderlåsen virker. Hvis strømkontakten kan aktiveres uden at trykke ned på afbryderlåsen, da stands straks arbejdet. Bring maskinen til et autoriseret servicecenter.
  - Hold altid i håndtaget med den ene hånd og i det forreste greb med den anden. (Se Fig. 8.) Fasthold et godt greb, og tryk kontakten helt i bund.
  - Klingen må ikke røre materialet før motoren startes. Vent til klingen opnår fuld hastighed før du begynder at skære.
  - Dette værktøj er ikke indrettet sådan, at det kan låse afbryderen i positionen "ON", og man må ikke forsøge at låse den i position "ON".
3. Start skæringen, når savbladet er kommet op på fulde omdrejninger.

### FORSIGTIG:

- For at forhindre reaktion ved anvendelsesstart starter klingen med reduceret hastighed. (Blød start)
4. Under skæringen skal skærelinjen holdes lige. Før værktøjet fremefter med en stabil hastighed, idet du holder øje med spidsen af bladet gennem den gennemsigtige skærm.

### ⚠ADVARSEL

- Undgå farlige tilbageslag, hold værktøjet fladt på overfladen af det materiale, der skal skæres.
- Brug aldrig vold ved skæringen. Benyt kun et let og kontinuerligt tryk.

5. Hvis motoren begynder at blive for varm, så stop skæringen. Lad værktøjet køle ned, inden arbejdet genoptages.
6. Det er altid en sikker foranstaltning at fjerne batteripakningen efter brug og inden værktøjet lægges til opbevaring.

## Indstilling af skæredybden

- Fjern batteripakningen.
- Løsn dybdeindstillingsmøtrikken og indstil skæredybden med brug af gradueringerne på den nederste skærm. for at måle dybden. Når dybden er indstillet, strammes dybdeindstillingsmøtrikken godt til.
- \* Hvis et materiale af træ er 10 mm (3/8") tykt eller mindre, indstilles skæredybden, så bladet stikker cirka 5 mm (3/16") ud fra undersiden af materialet.

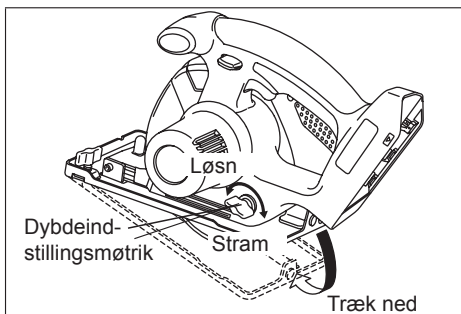


Fig. 9

## Savskærm (EY3500B7727)

(Tilgængelig som tilbehør, ikke inkluderet)  
En savskærm er praktisk til kløvebeskæring, og til gentagne beskæringer af ensartede bredder.

- Fjern batteripakningen.
- Sæt savskærmen ind og indstil skærebredden. (Se Fig. 10.)
- Stram skruen godt til for at fastgøre savskærmen.

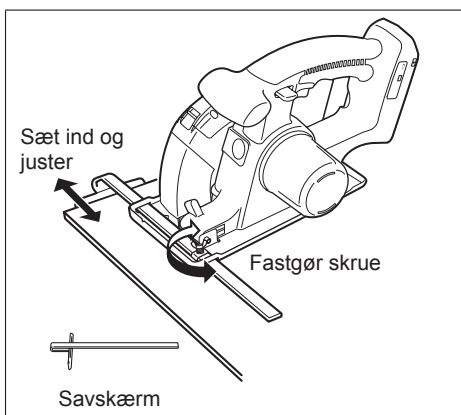


Fig. 10

## Opsamling af støv

### ⚠ ADVARSEL

- \* Inden der skæres i materialer af metal, skal støvopsamleren altid tømmes, frontdækslet åbnes og støvet fjernes.
- Anvendelse af skæreren med brændbare materialer i støvopsamleren til at skære materialer af metal, kan resultere i brand.
- \* Når der skæres i materialer af metal, skal skæreren altid anvendes med støvopsamleren påsat.
- Flyvende gnister og metalspåner kan være årsag til personskade.
- \* Når der skæres i materialer af metal, må der ikke tilsluttes en støvsuger. Gnister og varme metalspåner kan bevirke, at støvsugeren bryder i brand. Benyt støvsugeren som beskrevet i instruktionerne.

### (1) Opsaml støv i støvopsamleren.

- \* Tøm støvopsamleren, når den er fyldt op med støv.
- \* Tøm støvopsamleren, inden den lægges til opbevaring.
- \* Støvopsamlerens kapacitet
  - Ved skæring af elektriske ledninger med en diameter på 25 mm (1"), cirka 130 skæringer
  - Ved skæring af 45 mm (1-25/32") x 45 mm (1-25/32") tømmer, cirka 150 skæringer

### BEMÆRK:

Nogle materialer kan bevirke, at støv sætter sig fast inde under frontdækslet, når der skæres i disse materialer.

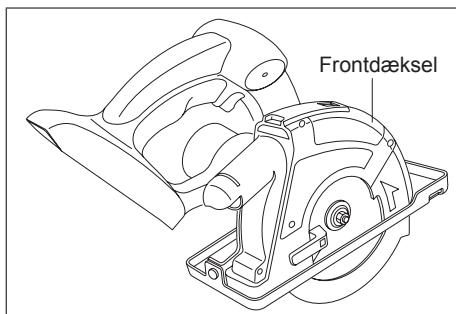


Fig. 11

### (2) Anvendelse af støvsugeren til fjernelse af støv.

- \* Slut skæreren til slangen ved hjælp af støvsugerslangeadapteren EY9X012E (sælges separat).  
Indvendig diameter for kompatibel slange: 25 mm (1") til 38 mm (1-2/1")
- \* Benyt støvsugeren i overensstemmelse med instruktionerne.

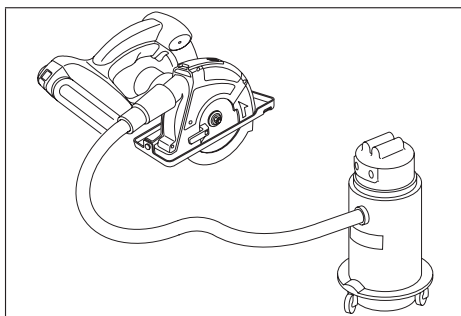


Fig. 12

**BEMÆRK:**

Hvis skæreren har vanskeligheder med at komme af med eller opsamle støv. Støvdudstødningen kan være tilstoppet af støv. Åbn frontdækslet og fjern alt støv.

**LED-lys**

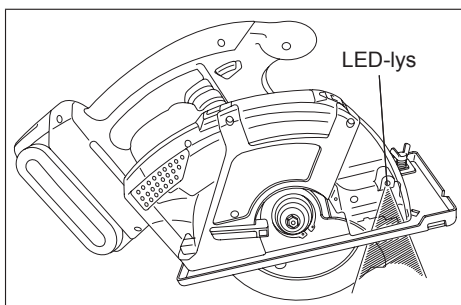


Fig. 13

LED-lyset lyser, når afbryderkontakten trykkes ind, og slukker når afbryderkontakten slippes.

- Lyset lyser med en meget lav strøm, og det påvirker ikke skruetrækkerens ydelse negativt under brug eller dens batterikapacitet.

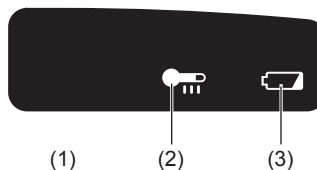
**FORSIGTIG:**

- Det indbyggede LED-lys er beregnet til at oplyse et lille arbejdsområde midlertidigt.
- Anvend det ikke som erstatning for en almindelig lommelygte, da det ikke har tilstrækkelig lysstyrke.

**Forsigtig: UNDLAD AT STIRRE IND I STRÅLEN**

Anvendelse af kontroller eller justeringer eller udførelser af andre procedurer end de heri specificerede, kan medføre farlig udsættelse for stråling.

**Kontrolpanel**



**(1) Advarselslampe for overophedning**

	▶	
Fra (normal anvendelse)		Blinker: Overophedning Betyder, at anvendelsen er blevet stoppet på grund af overophedning af batteriet.

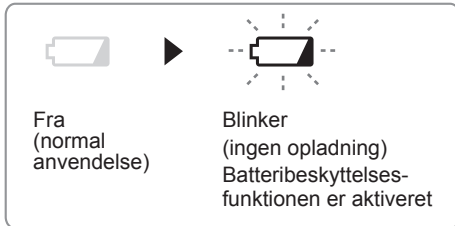
Overophedningsbeskyttelsesfunktionen stopper værktøjet for at beskytte batteripakningen i tilfælde af overophedning. Advarselslampe for overophedning på kontrolpanelet blinker, når denne egenskab er aktiveret.

- Hvis overophedningsbeskyttelsesfunktionen aktiveres, skal du give værktøjet tid til at køle helt af (mindst 30 minutter). Værktøjet er klar til brug igen, når advarselslampe for overophedning slukker.
- Undgå at anvende værktøjet på en sådan måde, at overophedningsbeskyttelsesfunktionen aktiveres gentagne gange.
- Hvis værktøjet anvendes under forhold med lave temperaturer (som f.eks. om vinteren) eller hvis den stoppes hyppigt under brug, vil overophedningsbeskyttelsesfunktionen måske ikke blive aktiveret.

Ydelsen af EY9L42 forringes betydeligt ved 10°C og under pga. arbejdsforhold og andre faktorer.

- Det omgivende temperaturområde er mellem 0 °C (32 °F) og 40 °C (104 °F). Hvis batteripakken anvendes, når batteritemperaturen er under 0 °C (32 °F), kan der opstå problemer i værktøjets funktion.
- Når man vil oplade en kold batteripakning (under 0 °C (32 °F)) i et varmt rum, så anbring batteripakningen i rummet mindst en time, så dens temperatur kan komme på niveau med rummets, inden den oplades.

## (2) Advarselsslampe for lav batterieffekt



Ekstrem (fuld) afladning af lithium-ion batterierne vil i høj grad afkorte deres levetid. Værktøjet er udstyret med en funktion til beskyttelse af batteriet, som tjener til at forhindre ekstrem afladning af batteripakningen.

- Batteribeskyttelsesfunktionen aktiveres umiddelbart inden batteriet mister sin effekt, hvilket bevirker, at advarselsslampen for lav batterieffekt begynder at blinke.
- Hvis du bemærker, at advarselsslampen for lav batterieffekt blinker, skal du straks oplade batteripakningen.
- Hvis der fra starten af var for lidt strøm tilbage, kan værktøjet stoppe driften uden at advarselsslampen for lavt batteri først blinker. Dette indikerer, at der er for lidt strøm tilbage til at bruge værktøjet, og batteriet skal oplades før yderligere brug.
- Hvis værktøjet udsættes for en pludselig belastning under brug, som får motoren til at lukke ned, kan overbelastningssensoren udløses, og lampen for lavt batteri kan blinke. Lampen vil stoppe med at blinke, når du behandler årsagen til motorens nedlukning og sætte triggeren i gang.

### FORSIGTIG:

Beskyttelsesfunktionen mod overafledning fungerer, selv når både advarselsslampen for lavt batteri og LED-lyset blinker.

- Oplad straks batteripakningen, da strømmen på batteriet er ved at være lav.
- Når du oplader en kold batteripakning (under 0 °C (32 °F)) på et varmt sted, skal du anbringe batteripakningen på stedet og vente mindst én time, så batteriet varmes op til omgivende temperaturområde.
- Sænk og afbryd den anvendte kraft, da spændingen på batteriet falder drastisk pga. den høje belastning af motoren. Udfør ikke betjening som gentagne gange forårsager aktivering af funktionen til beskyttelse mod overafledning.

## Korrekt brug (Yderligere detaljer)

### ⚠ ADVARSEL

Forhindring af risiko for alvorlig tilskadekomst:

- Det er vigtigt at anvende den rigtige anordning til at fastholde det materiale, der skæres i, og at holde metalskæreren fast med begge hænder, således at man ikke mister herredømmet over den, hvilket kan medføre personskaade.

- Fig. 14 viser den rigtige skæreprøposition.
- Hold altid hænderne borte fra skæreområdet.
- Bekræft, at eventuelle tilskuere ikke befinder sig i nærheden af arbejdsområdet og under arbejdsstykket.
- Forsøg ikke at holde materialet med hånden under skæringen.

### Skæring af store plader:

Understøt altid store plader. Sørg for at indtille dybden af snittet således, at du kun skærer gennem arbejdsstykket og ikke gennem understøttelsen. (Se Fig. 15.)

Store plader er tilbøjelige til at synke sammen eller bøje under deres egen vægt, hvis de ikke er korrekt understøttede. Hvis du forsøger at skære uden at arbejdsstykket er vandret og ordentligt understøttet, vil savbladet binde, hvilket kan medføre tilbageslag. (Se Fig. 16.)

- Understøt ikke materiale i retningen bort fra snittet.

### Skæring i tynde eller korrugerede materialer:

Skær tynde og korrugerede materiale mindst 2,5 cm (1") fra kanten af arbejdsstykket for at undgå at komme til skade eller beskadige værktøjet på grund af tynde strimler metal, som trækkes ind i den øverste afskærmning.

- Benyt kun skarpe klinger. Rene og skarpe klinger minimerer risikoen for fastkiling og tilbageslag.

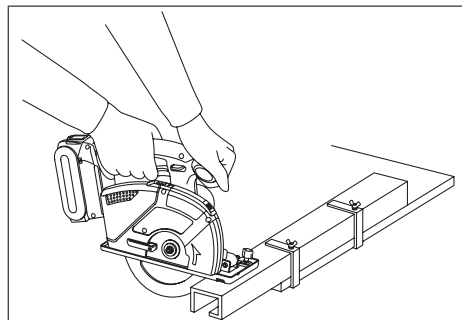


Fig. 14

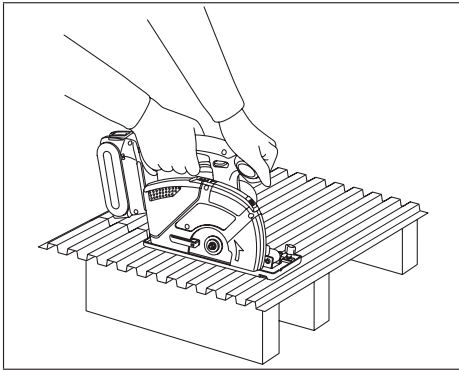


Fig. 15

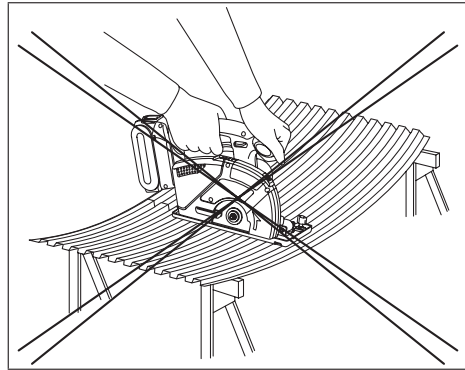


Fig. 16

### ⚠ ADVARSEL

Forhindring af risiko for alvorlig tilskadekomst:

- Hvis der foretages et ufærdigt snit, eller skæringen afbrydes, eller savbladet sætter sig fast eller metalskæreren stopper, skal man omgående slippe afbryderkontakten og holde maskinen ubevægelig i materialet, indtil savbladet standser helt.
- For at undgå tilbageslag må man aldrig forsøge at fjerne maskinen fra arbejdsstykket eller trække maskinen baglæns, medens klingens er i bevægelse. Kontrollér at klingens er standset helt inden den fjernes fra skærestedet.
- Ved genoptagelse af skæringen, skal man starte værktøjet og lade bladet komme op på fulde omdrejninger, gå langsomt ind i snittet igen og genoptage skæringen.

1. Anbring det brede stykke af skærepladen på den del af arbejdsstykket, der er solidt understøttet (se Fig. 17), aldrig på det stykke, der falder af, når afskæringen er færdig (se Fig.18). Hold fast i maskinen for ikke at miste kontrollen over den. Skødesløs betjening kan medføre alvorlige personskader.

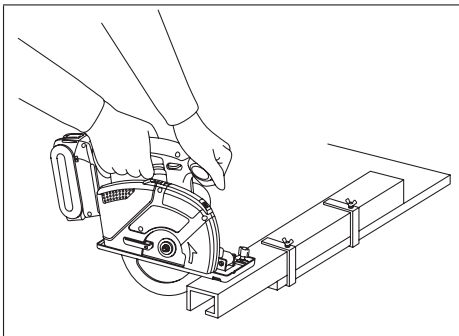


Fig. 17

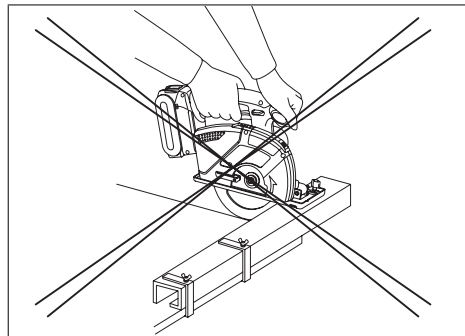


Fig. 18

2. Kontroller at klingens standser. Selv om værktøjet har en bremse, skal man sikre sig, at bladet er stoppet helt og at den nederste skærm er lukket, inden man lægger værktøjet fra sig.
3. Benyt den ikke, hvis der er noget, der ikke ser ud som det skal. Tag batteriet helt ud. Hvis værktøjet bliver meget varmt eller ikke fungerer ordentligt, skal du fjerne batteripakningen og ikke anvende den. Få den eftersat af et autoriseret service-center.



### ⚠ADVARSEL

For at forhindre risiko for alvorlig tilskadekomst eller brand, må man aldrig selv forsøge at reparere værktøjet. Forsøg aldrig at skille værktøjet ad eller at foretage nogen ændringer af det. Der er ingen dele inden i værktøjet, som kan repareres af brugeren.

#### 4. UNDGÅ AT NOGEN DELE AF KROPPEN KOMMER I BERØRING MED MASKINEN.

Ved afslutning af skæringen, må man ikke lade skæreren komme i nærheden af dine ben eller siden af kroppen.

Da den nederste skærm trækker sig selv tilbage, kan den gribe fat i dit tøj og blottlægge bladet. Lad ikke værktøjet komme i nærheden af dit tøj. Vær opmærksom på, at der kan være nogen synlige områder af bladet både på den øverste og nederste skærm.

### ⚠ADVARSEL

Da skæring i metal frembringer gnister:

- Skal der altid benyttes sikkerhedsbriller.
- Anvend ikke værktøjet i nærheden af brændbare emner eller på steder, hvor brændbare emner anvendes. Dette kan resultere i brand og/eller forbrændinger.

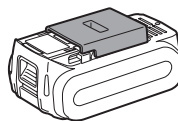
5. Lad aldrig aksellåsen være i indgreb, mens bladet kører, og sæt det ikke i indgreb med det formål at stoppe værktøjet. Sæt aldrig afbryderen i aktiveret stilling, når aksellåsen er i indgreb. Dette vil resultere i alvorlig beskadigelse af værktøjet.

## [Batteripakning]

### Korrekt brug af batteripakningen

#### Li-ion batteripakning

- Opbevar Li-ion batteripakningen efter brugen uden at oplade den, således at optimal batterilevetid opnås.
- Når du oplader batteripakningen, skal du bekræfte at terminalerne på batteriopladeren er fri for uvedkommende substanser, som for eksempel støv og vand etc. Rengør terminalerne inden du oplader batteripakningen, hvis uvedkommende substanser observeres på terminalerne.  
Levetiden for batteripakningens terminaler kan påvirkes af uvedkommende substanser, som for eksempel støv og vand etc., under brugen.
- Når batteriet ikke anvendes, skal det holdes på god afstand af andre metalgenstande som for eksempel papirclips, mønter, nøgler, søm, skruer og andre mindre metalgenstande, som kan forårsage en tilslutning fra en terminal til en anden.  
Kortslutning af batteriterminalerne kan frembringe gnister, forbrændinger eller ildebrand.
- Når du anvender batteripakningen, skal du sørge for, at arbejdsstedet er velventileret.
- Når batteripakningen er taget af værktøjet, skal batteripakningens dæksel straks sættes på for at forhindre, at støv og snavs forurener batteriterminalerne og forårsager kortslutning.



#### Batteripakningens levetid

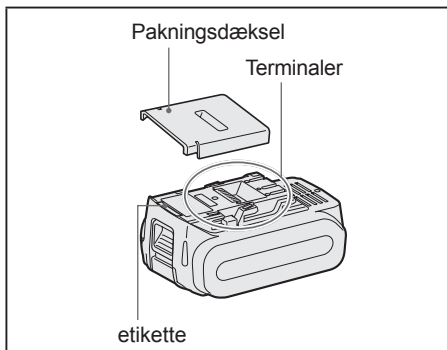
De udskiftbare batterier har en begrænset levetid. Hvis betjeningstiden bliver meget kort efter opladningen, skal batteripakningen udskiftes med en ny.

#### Genbrug af batterier

##### OBS:

For at beskytte miljøet og genbruge materialer, skal du altid huske at bortskaffe udtjente batterier på forskriftsmæssig vis, dvs. indlevere dem til et sted, der er godkendt af myndighederne, hvis et sådant forefindes i dit land.

#### Anbefalinger for brugen



## Sørg for at anvende batteripakningsdækslet

- Når batteripakningen ikke anvendes, skal batteriet opbevares således, at uvedkommende substanser, som for eksempel støv og vand etc., ikke kan komme til at forurene terminalerne. Sørg for at sætte batteripakningsdækslet på for at beskytte batteriterminalerne.
- Når du oplader batteripakningen, skal du bekræfte at terminalerne på batteriopladeren er fri for uvedkommende substanser, som for eksempel støv og vand etc. Rengør terminalerne inden du oplader batteripakningen, hvis uvedkommende substanser observeres på terminalerne.  
Levetiden for batteripakningens terminaler kan påvirkes af uvedkommende substanser, som for eksempel støv og vand etc., under brugen.

### ⚠ FORSIGTIG:

For at beskytte motoren og batteriet skal man være opmærksom på følgende ved anvendelse.

- Hvis batteriet bliver varmt, aktiveres beskyttelsesfunktionen, og batteriet stopper med at fungere.  
Advarselsslampen til overophedning på kontrolpanelet lyser eller blinker, når denne funktion er aktiveret.

## For sikker brug

- Batteripakken er beregnet til at blive installeret ved at følge en fremgangsmåde med to trin for sikkerhedens skyld. Kontroller, at batteripakken er korrekt installeret i hovedenheden inden brug.
- Hvis batteripakken ikke er tilsluttet korrekt, når der tændes for kontakten, blinker advarselsslampen for overhedning og advarselsslampen for lavt batteri for at indikere, at det ikke er muligt at foretage sikker anvendelse, samt at hovedenheden ikke vil rotere normalt. Slut batteripakken til inde i selve værktøjets enhed, indtil etiketten rød eller gul forsvinder.

## [Batterioplader]

## Opladning

### FORSIGTIG:

- Opladeren er designet til kun at fungere med en almindelig husholdningselforsyning, som angivet på mærkepladen. Oplad kun med den spænding som er angivet på enhedens mærkeplade, f.eks. 230 V / 50 Hz.
- Forsøg ikke at anvende den med nogen anden spænding eller frekvens!
- Hvis batteripakningens temperatur falder til under cirka  $-10^{\circ}\text{C}$ , vil opladningen automatisk stoppe for at forhindre af batteriet forringes.
- Oplad ikke batteripakningen, hvis dens temperatur er under  $0^{\circ}\text{C}$ .
- Når man vil oplade en kold batteripakning (under  $0^{\circ}\text{C}$  ( $32^{\circ}\text{F}$ )) i et varmt rum, så anbring batteripakningen i rummet mindst en time, så dens temperatur kan komme på niveau med rummets, inden den oplades.
- Lad opladeren køle ned ved genopladning af flere end to batteripakninger efter hinanden.
- Sæt ikke fingrene ind i kontaktåbningen, når ladeaggregatet holdes i hænderne eller flyttes.

### ⚠ FORSIGTIG:

Forebyggelse af risiko for brand eller skade på batteriopladeren.

- Tildæk ikke ventiltationshullerne på ladeaggregatet og på batteripakken.
- Tag opladeren ud af forbindelse, når den ikke skal anvendes.

### BEMÆRK:

Batteripakningen er ikke fuldt opladet på købstidspunktet. Sørg for at oplade batteriet før brugen.

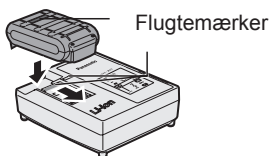
### Sådan foretages opladning

1. Stik opladerens stik ind i en stikkontakt fra lysnettet.

### BEMÆRK:

Der kan opstå gnister, når stikket tilsluttes til lysnettet, men dette er ikke noget problem mht. sikkerheden.

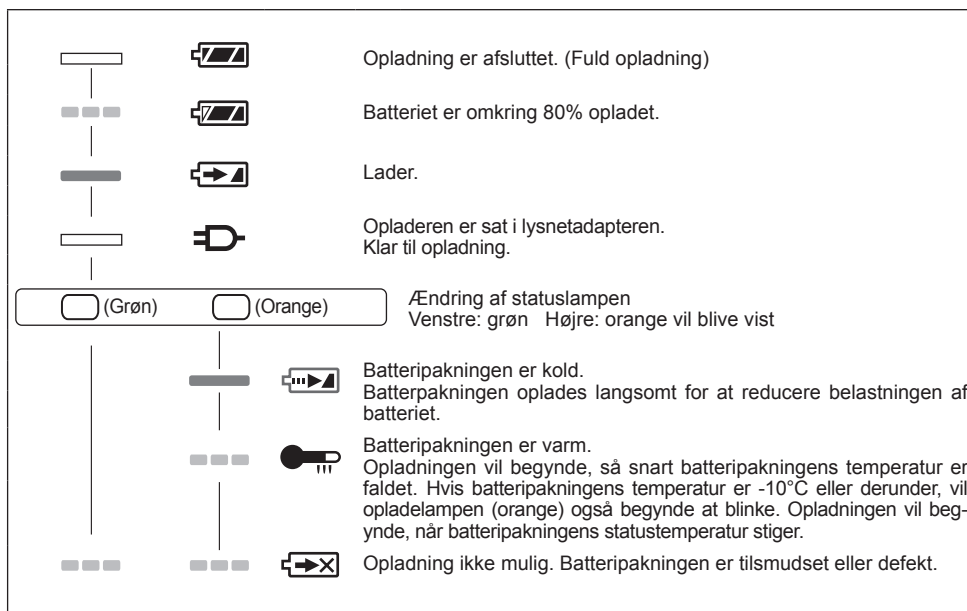
2. Tilslut batteripakken ordentligt til opladeren.
  - 1 Sæt flugtemærkerne på linje og anbring batteriet på dokken på opladeren.
  - 2 Tryk fremad i pilens retning.



3. Under opladning lyser opladelampen. Når opladningen er afsluttet, vil en indre elektronisk omskifter automatisk udløses til forhindring af overopladning.
  - Opladningen starter ikke, hvis batteripakningen er varm (for eksempel, umiddelbart efter ekstra svær betjening.) Den orangefarvede lampe blinker, indtil batteriet er kølet af. Opladningen begynder straks derefter.

4. Opladelampen (grøn) blinker langsomt, når batteriet er omkring 80% opladet.
5. Når opladningen er færdig, vil den grønne opladelampe slukke.
6. Hvis temperaturen af batteripakningen er 0°C eller mindre, vil det tage længere at oplade batteripakningen helt, sammenlignet med standardopladetiden. Selv hvis batteriet er fuldt opladet, vil det have omkring 50% af effekten i et fuldt opladet batteri ved normal brugstemperatur.
7. Rådfør dig med en autoriseret forhandler, hvis opladelampen (grøn) ikke slukker.
8. Hvis en fuldt opladet batteripakning sættes ind i opladeren igen, vil opladelampen begynde at lyse. Efter nogle minutter vil den grønne opladelampe slukke.

## Lampeindikeringer



Slukket

Tændt

Blinker

## Brugerinformation om indsamling og bortskaffelse af elektronikskrot og brugte batterier



Disse symboler på produkter, emballage og/eller ledsagedokumenter betyder, at brugte elektriske og elektroniske produkter og batterier ikke må smides ud som almindeligt husholdningsaffald.



Sådanne gamle produkter og batterier skal indleveres til behandling, genvinding resp. recycling i henhold til gældende nationale bestemmelser samt direktiverne 2002/96/EF og 2006/66/EF.



Ved at bortskaffe sådanne produkter og batterier på korrekt vis hjælper du med til at beskytte værdifulde ressourcer og imødegå de negative påvirkninger af det menneskelige helbred og miljøet, som vil kunne være følgen af usagkyndig affaldsbehandling.

Ønsker du mere udførlig information om indsamling og recycling af gamle produkter og batterier, kan du henvende dig til din kommune, deponeringselskabet eller stedet, hvor du har købt produkterne.

Usagkyndig bortskaffelse af elektronikskrot og batterier kan eventuelt udløse bødeforlæg.

## For kommercielle brugere i Den Europæiske Union

Når du ønsker at kassere elektriske eller elektroniske apparater, bedes du henvende dig til din forhandler eller leverandør for nærmere information.

## [Information om bortskaffelse i lande uden for Den Europæiske Union]

Disse symboler gælder kun inden for Den Europæiske Union. Ønsker du at kassere sådanne produkter, bedes du forhøre dig hos din forhandler eller kommune med henblik på en hensigtsmæssig bortskaffelse.

## V. VEDLIGEHOLDELSE

### ⚠ ADVARSEL

For at undgå alvorlig tilskadekomst, skal man altid fjerne batteripakningen fra værktøjet, inden man begynder at udføre vedligeholdelse.

### FORSIGTIG:

For at sikre produktets SIKKERHED og STABILITET, bør servicering altid udføres af et autoriseret servicecenter. Insister altid på at der benyttes originale Panasonic dele ved udskiftning.

## Rengøring af værktøjet

Hold altid dit værktøjet rent for at få en bedre ydelse og for at holde den i sikker stand og klar til brug.

### Følg nedenstående trin:

1. Tag batteripakningen ud af værktøjet.
2. Tør værktøjet af med en tør, blød klud. Benyt ikke en våd klud eller rensesvæsker. Dette kan beskadige skærerenes overfladefinish.
3. Sørg for at fjerne al olie eller fedt, som kan bevirke, at værktøjet bliver glat eller svært at håndtere.

4. Tag klingene af og børst alt støv bort.

### FORSIGTIG:

- For at undgå at beskadige udstyret, må man aldrig dyppe værktøjet i væske.
- I tilfælde af, at indersiden af værktøjet eller batteripakningen er blevet udsat for vand, skal de tømmes for vand og lægges til tørre så hurtigt som muligt. Fjern omhyggeligt alt støv og alle jernspåner, som måtte have samlet sig inden i værktøjet. Ret henvendelse til et reparationssværksted, hvis der er nogen problemer med anvendelse af værktøjet.

## Gennemsigtig skærm

### ⚠ ADVARSEL

Hvis den gennemsigtige skærm er revnet eller ødelagt, skal du indlevere den til et autoriseret service-center for at få den udskiftet. Undlad at anvende skæreren. Dette kan resultere i alvorlig tilskadekomst.

Benyt aldrig værktøjet med en beskadiget gennemsigtig skærm eller uden skærmen. Flyvende småpartikler kan i så fald resultere i alvorlig tilskadekomst.

## VI. TILBEHØR

### ⚠ ADVARSEL

- Anvendelse af tilbehør der ikke er nævnt i denne manual, kan resultere i brand, elektrisk chok eller personskader. Brug kun anbefalet tilbehør.
- Anvendelse af klinger på materiale som er tykkere eller tyndere end anbefalet for diverse klinger, vil resultere i en grov beskæring, og kan forøge risikoen for tilbageslag eller andre skader.

Blad med karbidspids til metal

- EY9PM13C

Til skæring af uhærdet materiale af jern

Tykkelse af materiale

0,5 mm – 6,0 mm

Blad med karbidspids til tyndt metal (ekstraudstyr)

- EY9PM13D

Til skæring af uhærdet, tyndt materiale af jern, hvor en ren skærekant er påkrævet

Tykkelse af materiale

0,5 mm – 6,0 mm

Blad med karbidspids til træ (ekstraudstyr)

- EY9PW13A

Til almindelig skæring af træ

Blad med karbidspids til tyndt træ (ekstraudstyr)

- EY9PW13B

Til skæring af tyndt træ, hvor en ren skærekant er påkrævet

Anbefalet tykkelse af materiale op til 12 mm

Blad med karbidspids til plastic (ekstraudstyr)

- EY9PP13B

Til skæring af plastic

Anbefalet tykkelse af materialerne akryl- og vinylkloridplader:

2,0 mm – 5,0 mm

korrugerede plader, rør

0,8 mm – 5,0 mm

Adapter til støvsugerslange (ekstraudstyr)

- EY9X012E

Savskærm (ekstraudstyr)

- EY3500B7727

Til spalteskæring og gentagne skæringer med den samme bredde.

## VII. SPECIFIKATIONER

### BEMÆRK:

Vægtangivelse

Mere end eller svarende til 1 kg: angivet med 0,05 kg.

Mindre end 1 kg : angivet med 0,01 kg.

### HOVEDENHED

Model	EY45A2				
Motorspænding	DC 14,4 V		DC 18 V		
Klingens hastighed	3600 rpm (min <sup>-1</sup> )		4500 rpm (min <sup>-1</sup> )		
Klingestørrelse	135 mm				
Udvendig diameter	20 mm				
Reces størrelse					
Største skæredybde	0 - 46 mm (Φ135 mm blad)				
Maks. drejningsmoment	5,4 N•m		6.7 N•m		
Længde i alt	292 mm (kun hovedenhed)				
Vægt	2,05 kg (kun hovedenhed)				
Batteripakninger	Li-ion-batteripakninger				
	EY9L42	EY9L44	EY9L45	EY9L50	EY9L51
	DC 14,4 V			DC 18 V	
Støj Vibration	Se vedlagte ark.				

## BATTERIOPLADER

Model	EY0L82					
Elektriske Specifikationer	Se mærkepladen på undersiden af opladeren.					
Vægt	0,93 kg					
Opladningstid	Model	EY9L42	EY9L44	EY9L45	EY9L50	EY9L51
	Brugbar	30 min.	40 min.	50 min.	40 min.	55 min.
	Fuld	35 min.	55 min.	60 min.	55 min.	70 min.

**BEMÆRK:** Denne oversigt kan inkludere modeller, der ikke fås i dit område.  
Se venligst det nyeste, almindelige katalog.  
Med hensyn til forhandlernavn og adresse henvises til det vedlagte garantikort.

## VIII. APPENDIKS

### TILLÆG TIL GARANTI

- Sammenbrud og beskadigelse pga. konstant længerevarende anvendelse (f.eks.: fabriksarbejde på et samlebånd m.v.) er uden for garantien.
- Beskadigelse eller funktionsfejl forårsaget af brug af tilbehør, som ikke er specificeret i denne vejledning, er ikke omfattet af garantien.

**Originalanvisningar: Engelska**  
**Översättning av originalanvisningarna:**  
**Andra språk**

**Läs igenom häftet "Säkerhetsföreskrifter" och nedanstående anvisningar, innan verktyget tas i bruk.**

## I. INLEDNING

Detta verktyg är en universalcirkelsåg. Genom att byta klinga kan den användas för sågning i trä, metall eller plast. Damm kan samlas upp av den integrerade dammhuven eller av en ansluten dammsugare (genom montering av slangen på sågen).

### ⚠ FARA

Denna produkt är ett sågverktyg avsett för sågning i metall och trä. Det har en roterande klinga med kapacitet att skära djupa sår, som resulterar i allvarlig kroppsskada eller dödsfall. Läs noggrant igenom denna bruksanvisning, beakta varningarna på verktyget och följ alla säkerhetsföreskrifter för att undvika sådana skador.

### ⚠ VARNING

För aldrig in ett finger eller någonting annat i någon öppning i verktyget.

### ⚠ VARNING

**Läs samtliga säkerhetsföreskrifter och anvisningar.**

Underlåtenhet att följa föreskrifterna och anvisningarna kan resultera i elektriska stötar, brand och/eller allvarlig kroppsskada.

## Hur denna bruksanvisning används

- Läs igenom hela bruksanvisningen, innan sågning med verktyget påbörjas. Om någon annan ska använda verktyget, så se till att personen ifråga antingen läser denna bruksanvisning eller ges fullständiga instruktioner om korrekt användningssätt och alla säkerhetsföreskrifter gällande verktyget.
- Spara bruksanvisningen för framtida referensbehov. Den innehåller viktig information gällande säkerhet som måste beaktas för säker användning av verktyget.
- I bruksanvisningen och på produkten används följande signalord:

### ANMÄRKNING

Anmärkningar ger vidare information som bör kännas till angående verktyget.

### VIKTIGT

Visar på situationer som eventuellt kan innebära fara, och orsaka lätta eller måttliga personskador om anvisningarna inte följs. Gör dig även uppmärksam på felaktig användning.

### VARNING

Varning innebär en situation som eventuellt kan leda till fara, och orsaka svåra eller dödliga skador om anvisningarna inte följs.

### FARA

Visar på omedelbar fara som leder till svåra eller dödliga skador om anvisningarna inte följs.

**Läs igenom häftet "Säkerhetsföreskrifter" och nedanstående anvisningar, innan verktyget tas i bruk.**

## II. EXTRA SÄKERHETS-REGLER

### Säkerhetsföreskrifter för alla sågar

#### △ FARA

- 1) **Håll händerna borta från skärområdet och bladet. Håll den andra handen på extrahandtaget eller motorhuvu.** Så länge båda händerna används till att hålla i sågen med kan de inte skadas av bladet.
- 2) **Håll aldrig någon kroppsdel på undersidan av arbetsstycket.** Skyddet ger inget skydd mot bladet nedanför arbetsstycket.
- 3) **Ställ in lämpligt skärdjup enligt tjockleken på arbetsstycket.** Mindre än en hel tand på bladets tänder bör synas nedanför arbetsstycket.
- 4) **Håll aldrig ett arbetsstycke i händerna eller i knäet vid sågning.** Spänn fast ett löst arbetsstycke i ett stabilt arbetsbord etc. Det är viktigt att arbetsstycket är ordentligt förankrat för att undvika kroppskontakt, bladkärvning och förlorad kontroll.
- 5) **Håll verktyget i de isolerade delarna av handtagen, när det finns risk för att verktyget kommer i kontakt med dolda elkablar eller en friliggande nätkabel.** Kontakt med en spänningsförande ledning kan göra att verktygets metalldelar också blir strömförande och ge användaren en elektrisk stöt.
- 6) **Använd alltid ett mothåll eller en rak sidoskena vid klyvsågning.** Det ger bättre snittprecision och minskar risken för att bladet kärvar.
- 7) **Använd alltid blad med korrekt storlek och form på axelhål (diamantform eller rund).** Ett blad som inte är anpassat till verktygets monteringsdelar roterar excentriskt och kan orsaka förlorad kontroll vid sågning.
- 8) **Använd aldrig skadade eller felaktiga brickor eller mutter till bladet.** Brickorna och muttern till bladet har utarbetats speciellt för sågen för att erbjuda optimal prestanda och driftsäkerhet.

### Vidare säkerhetsföreskrifter för alla sågar

#### Uppkomst och förebyggande av bakslag:

- Bakslag är en plötslig reaktion av att bladet kläms fast, kärvar eller hamnar snett, som gör att den okontrollerade sågen kastas upp från arbetsstycket och mot användaren.

- När bladet kläms fast eller kärvar i sågspåret, så stoppas bladets rörelse upp samtidigt som motorns drift gör att sågen snabbt kastas bakåt mot användaren.
- Om bladet vrider sig eller hamnar snett i spåret kan det hända att tänderna i bladets bakkant skär in i ytan på träet, så att bladet klättrar ut ur sågspåret och hoppar bakåt mot användaren.

Bakslag, som orsakas av felaktig hantering av sågen och/eller felaktigt tillvägagångssätt eller felaktiga förhållanden, kan undvikas genom att iaktta följande försiktighetsåtgärder.

- 1) **Håll sågen i ett stadigt grepp med båda händerna och håll armarna så att kraften från ett eventuellt bakslag kan motverkas. Håll kroppen på endera sidan om, inte i linje med, bladet.**

Ett bakslag kan medföra att sågen kastas bakåt, men kraften i ett bakslag kan genom korrekta försiktighetsåtgärder motverkas av användaren.

- 2) **Om bladet kärvar eller arbetet av någon annan anledning plötsligt behöver avbrytas, så släpp strömbrytaren och håll sågen orörlig i arbetsstycket tills bladet har stannat helt. Försök aldrig ta bort sågen från arbetsstycket eller dra sågen bakåt medan bladet är i rörelse, eftersom det kan medföra bakslag.**

Undersök det aktuella problemet och åtgärda det på lämpligt sätt för att undvika att bladet kärvar på nytt.

- 3) **Placera sågen i mitten av sågspåret och kontrollera att inte sågtänderna ligger an mot arbetsstycket, när en påbörjad sågning ska fortsättas.**

Om sågbladet kärvar kan det hända att det klättrar uppåt eller slungas bakåt från arbetsstycket, när motorn startas.

- 4) **Stötta upp större arbetsstycken ordentligt för att minska risken för att bladet kläms fast eller att bakslag uppstår.**

Stora arbetsstycken kan ha en tendens att ge efter för sin egen tyngd. Se därför till att stöd placeras på var sida om skärområdet och vid båda ändarna under ett stort arbetsstycke.

- 5) **Använd inte slöa eller skadade blad.**

Ett blad som är oslipat eller i undermåligt skick ger ett smalt sågspår, vilket lätt resulterar i för stor friktion, bladkärvning eller bakslag.

- 6) **Låsspakar för bladdjup och vinkelinställning måste vara ordentligt åtdragna, innan sågning påbörjas.**

Om bladets inställning ändras under pågående sågning kan det ge upphov till kärvning eller bakslag.



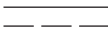


- 7) Var extra försiktig vid insågning i en vägg eller någon annan blind punkt.  
Det kan hända att det utstickande bladet stöter på något som kan orsaka bakslag.

## Säkerhetsföreskrifter för cirkelsågen

- 1) **Kontrollera före varje användning att det undre skyddet stängs igen ordentligt. Använd inte sågen, om det undre skyddet inte rör sig fritt och stängs igen omedelbart. Kläm eller bind aldrig fast det undre skyddet i öppet läge.**  
Om sågen råkar tappas kan det undre skyddet böja sig. Lyft upp det undre skyddet med hjälp av uppfällningsspaken och kontrollera att det kan röra sig fritt utan att komma i kontakt med klingan eller någon annan del, i alla sågvinklar och sågdjup.
- 2) **Kontrollera att det undre skyddets fjäder fungerar. Om skyddet och fjädern inte fungerar ordentligt, så måste de servas före användning.**  
Skadade delar, gummiavlagringar eller ansamlad skräp kan göra att det undre skyddet går trögt.
- 3) **Det undre skyddet bör inte fällas upp manuellt annat än vid sådana särskilda arbeten som insågning eller compound-sågning. Lyft upp det undre skyddet med hjälp av uppfällningsspaken och släpp sedan det undre skyddet så fort klingan når in i arbetsstycket.**  
För alla andra sågningar ska det undre skyddet få arbeta automatiskt.
- 4) **Kontrollera alltid att det undre skyddet täcker klingan helt, innan cirkelsågen läggs ner på en bänk eller ett golv.**  
Med en oskyddad roterande klinga förflyttar sig sågen bakåt och sågar sönder allt som kommer i vägen. Observera den tid det tar innan klingan har stannat helt efter att startomkopplaren har släppts upp.
- 5) **Använd inga slipskivor.**
- 6) **Bär vid behov munskydd, om arbetet är dammigt.**
- 7) **Använd sågklingor som rekommenderas av tillverkaren.**
- 8) **Bär hörselskydd vid långvarig användning av verktyget.**
- 9) **Risken för bakslag ökar allteftersom batteriet laddas ur.**
- 10) **Var noga med att inspektera arbetsstycket. Undvik att såga i olika material.**
- 11) **Var noga med att inte tappa verktyget.**
- 12) **Svinga aldrig verktyget.**

- 13) **Täck aldrig över ventilationsöppningarna och håll de fria från damm och smuts.**
- 14) **Spänn inte fast verktyget i ett skruvstöd. Såga aldrig med verktyget uppochnervänt i ett skruvstöd. Det är mycket farligt och kan resultera i allvarliga olyckor.**
- 15) **Bär aldrig stickade vantar.**
- 16) **Kontrollera att ingen person befinner sig nedanför vid användning av verktyget på hög höjd.**
- 17) **Vidrör inte klingan direkt efter användning. Den kan då vara het och orsaka brännskador.**
- 18) **Vidrör inte ett arbetsstycke som just har sågats i. Sågat material kan vara hett.**
- 19) **Använd inte skärolja. Användning av skärolja kan orsaka brand.**
- 20) **Såga inte i arbetsstycken som är täckta eller nerstänkta med bensin, olja, lösningsmedel, thinner etc. Kontakt med dessa material kan skada det genomskinliga skyddet.**
- 21) **Ta inte bort det genomskinliga eller det undre skyddet. Om det genomskinliga eller det undre skyddet är skadat eller saknas, så lämna in verktyget till en auktoriserad serviceverkstad för utbyte.**
- 22) **Starta inte sågen medan klingan vidrör arbetsstycket. Vänta tills klingan roterar med full hastighet, innan sågning påbörjas.**

## Symboler

Symbol	Betydelse
V	Volt
	Likström
$n_0$	Tomgångshastighet
$\dots \text{ min}^{-1}$	Varv eller rörelser fram och tillbaka
A	Ampere
	För att minska risken för skador måste användaren läsa och förstå bruksanvisningen.
	Endast för inomhusbruk.

### ⚠ VARNING

- Använd inget annat batteri än det laddningsbara Panasonic-batteri som är avsett för detta verktyg.
- Panasonic påtar sig inget ansvar för eventuella skador eller olyckor orsakade av användningen av ett återvunnet batteri eller ett oäkta batteri.
- Kasta inte det laddningsbara batteriet i eld och utsätt det inte på annat sätt för hög värme.
- För inte in en spik eller dylikt i det laddningsbara batteriet, utsätt det inte för stötar och försök inte ta isär eller modifiera det.
- Låt inget metallföremål komma i kontakt med anslutningskontaktarna på det laddningsbara batteriet.
- Bär eller förvara inte det laddningsbara batteriet tillsammans med spikar eller liknande metallföremål.
- Ladda inte batteriet på en alltför varm plats, såsom nära en eldstad eller i solen. Det kan leda till att batteriet överhettas, fattar eld eller exploderar.
- Använd endast den särskilt avsedda laddaren till att ladda batteriet med. Annars kan batteriet börjar läcka, överhettas eller explodera.
- Sätt alltid på batteriskyddet efter att det laddningsbara batteriet har demonterats från verktyget eller laddaren. Annars kan det hända att batterikontaktarna kortsluts, vilket medför risk för eldsvåda.
- Byt ut batteriet mot ett nytt efter att batteriet försämrats märkbart.  
Fortsatt användning av ett skadat batteri kan resultera i värmealstring, antändning eller batterihaveri.

## III. HOPSÄTTNING

### Montering och demontering av batteriet

#### VIKTIGT:

Kontrollera före montering av batteriet att startkopplaren på verktyget rör sig korrekt och återgår till läget "OFF" när den släpps.

#### 1. Montering av batteriet (se bild 2)

Passa in de utmärkta punkterna mot varandra och sätt fast batteriet.

- Skjut batteriet enligt pilen tills det låses på plats.

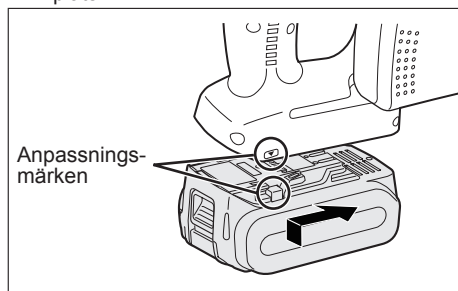


Bild 2

#### 2. Demontering av batteriet (se bild 3)

Tryck ner knappen och skjut batteriet framåt.

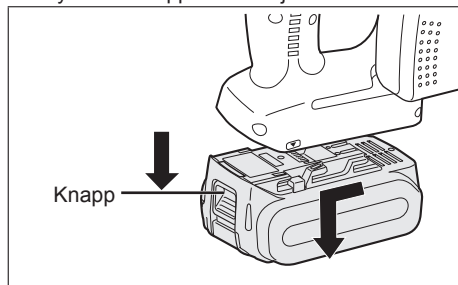


Bild 3

# IV. ANVÄNDNING

## Före användning av verktyget

Detta verktyg är avsett för sågning i ohärdad järnmetall, icke-järnmetall, trä och plast. Vi hänvisar till listan i avsnittet "Tillbehör" angående vilka klingor som kan användas för olika tillämpningar av cirkelsågen. Följande försiktighetsåtgärder måste iaktas för att minska risken för kroppsskador.

- Såga inte i staplade arbetsstycken. Såga ett arbetsstycke i taget.
- Såga inte i härdat stål.
- Såga ett arbetsstycke med den bredare kanten på skon över den fastspända sidan av arbetsstycket.
- Vidrör inte klingan, arbetsstycket eller sågspån med bara händer direkt efter sågning, eftersom dessa delar då kan vara heta och orsaka brännskador.

Kontrollera att verktyget är i gott skick varje gång det ska börja användas.

Använd följande checklista:

1. Är klingan monterad i korrekt riktning?  
Pilen på klingan måste peka åt samma håll som pilen på det övre klingskyddet.
2. Är klingan ordentligt fastmonterad?  
Kontrollera att insexbulten är ordentligt åtdragen (se bild 6).
3. Ser klingan ut att vara i gott skick?  
Byt omedelbart ut klingan, om den har en spricka eller skadade tänder.
4. Stängs det undre skyddet som det ska?

### ⚠ VARNING

För att undvika skador får cirkelsågen inte användas, om det undre skyddet inte stängs tillräckligt snabbt över klingan.

5. Är det genomskinliga skyddet ordentligt fastmonterat?
6. Är batteriet laddat och korrekt monterat på verktyget?
7. Är djupinställningsratten för önskat skärdjup ordentligt åtdragen?
8. Är arbetsstycket ordentligt fastspänt på en sågbock, en arbetsbänk e.dyl.?
9. Är dammhuvens eller den främre skyddskåpan tilltäppt av damm?
10. Använd endast klingor som är klassade för hastigheter som är högre än huvudenhetsens. Klingan kan skadas om den används under huvudenhetsens hastighet.

Tryck in den främre skyddskåpanns låsknapp för att frigöra skyddskåpan och avlägsna ansamlad damm på insidan. Om skyddskåpan är tilltäppt, så använd en skruvmejsel e.dyl. till att åtgärda tilltäppningen. Stäng därefter igen den främre skyddskåpan (se bild 4).

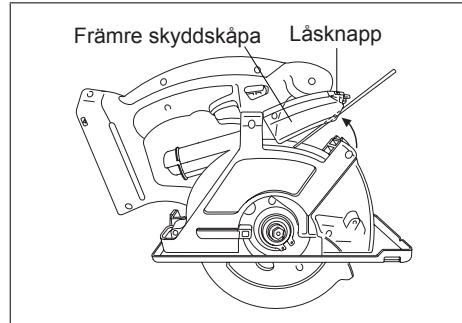


Bild 4

Om damm förekommer innanför dammhuvens, så tryck in dammhuvens låsknapp, ta loss dammhuvens och avlägsna dammet. Montera därefter på dammhuvens igen (se bild 5).

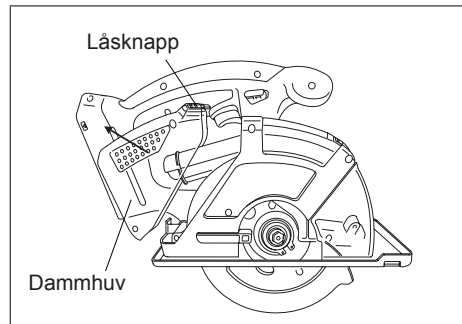


Bild 5

## Montering av klinga

### Gör så här:

1. Ta loss batteriet från verktyget.
2. Avlägsna eventuellt sågspån från området runt klingan.
3. Fäll upp (öppna) det undre skyddet med hjälp av uppfällningsspaken.
4. Montera klingan enligt bilden (se bild 6). Kontrollera att rotationsriktningssilarna på klingan och det genomskinliga skyddet pekar åt samma håll.
5. Sätt på den yttre brickan.
6. Skruva i insexbulten.
7. Tryck in spindelns låsknapp och håll den intryckt, så att klingan inte kan rotera.
8. Dra åt insexbulten ordentligt med den medföljande insexnyckeln. Fäst insexnyckeln i dess förvaringsspår.

### ANMÄRKNING:

Förvara insexnyckeln i förvaringsspåret på cirkelsågens hölje, när den inte används.

### ⚠ VARNING

Underlåtenhet att följa dessa anvisningar kan resultera i allvarlig personskada.

## Demontering av klinga

### VIKTIGT:

Klingan är het direkt efter sågning. Se till att låta klingan svalna, innan den demonteras.

### Gör så här:

1. Ta loss batteriet från verktyget.
2. Tryck in spindelns låsknapp och håll den intryckt, så att klingan inte kan rotera.
3. Lossa insexbulten med hjälp av den medföljande insexnyckeln.

### ANMÄRKNING:

Förvara insexnyckeln i förvaringsspåret på cirkelsågens hölje, när den inte används.

4. Ta loss insexbulten och den yttre brickan.
5. Fäll upp (öppna) det undre skyddet med hjälp av uppfällningsspaken.
6. Ta försiktigt loss klingan.
7. Rengör vid behov verktyget.

### VIKTIGT:

Handska försiktigt med klingan för att undvika skärskador.

- Slå in en klinga som ska kasseras i kraftig kartong eller korrugerat papper. Det förhindrar att någon skär sig på den kasserade klingan.

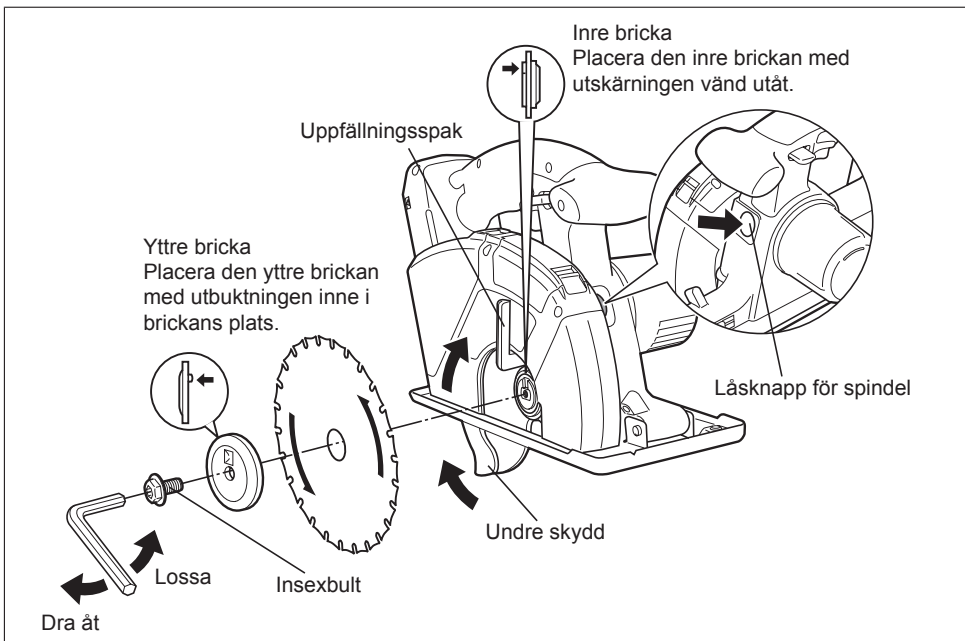


Bild 6

## Användning av verktyget

### VIKTIGT:

Minska risken för kroppsskador genom att läsa och följa säkerhetsföreskrifterna i början av denna bruksanvisning, innan verktyget tas i bruk.

### ⚠ VARNING

Minska risken för kroppsskador genom att bära skyddsglasögon eller glasögon med sidoskydd vid användning av cirkelsågen. Bär också munskydd vid sågning i material som orsakar särskilt mycket dammpartiklar. Använd inte cirkelsågen i regn. Det kan resultera i elektriska stötar eller leda till att cirkelsågen avger rök.

Såga inte i material där ansamling av målarthin- ner, bensin, olja e.dyl. förekommer. Det kan leda till att dammhuven spricker och resultera i kroppsskada.

### Gör så här:

Håll verktyget med båda händerna (se bild 8). Försök inte ta bort sågat material medan klingan roterar.

1. Placera riktlinjen på skon i linje med skärlinjen (se bild 7).

### Anpassning till skärlinjen

- Placera skåran på skon över skärlinjen, med den rombformade öppningens övre och nedre hörn anpassade till linjen.
- Utför en provsågning, eftersom skärpositionen kan variera beroende på vilken klinga som används.

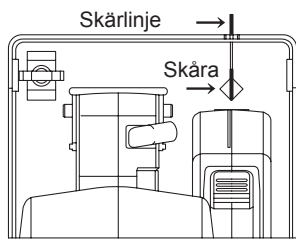


Bild 7

2. Tryck ner omkopplarlåset och tryck därefter in startomkopplaren för att starta motorn. Släpp sedan upp omkopplarlåset.

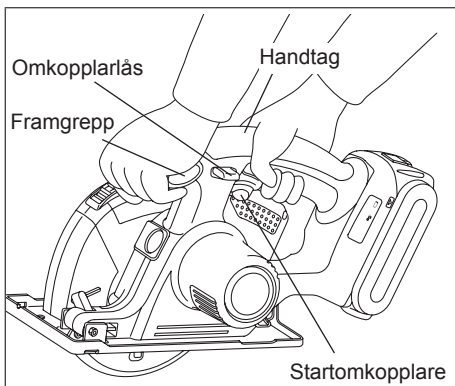


Bild 8

### VIKTIGT:

- Kontrollera att omkopplarlåset fungerar. Om startomkopplaren kan tryckas in för att starta sågen utan att säkerhetsspärren har tryckts in, så avbryt genast arbetet och ta verktyget till en auktoriserad serviceverkstad.
  - Håll alltid i handtaget med ena handen och i framgreppet med den andra (se bild 8). Håll sågen i ett stadigt grepp och tryck in startomkopplaren helt.
  - Klingan bör inte vidröra arbetsstycket förrän motorn har startats. Vänta tills klingan uppnått full hastighet innan en sågning påbörjas.
  - Detta verktyg har ingen anordning för att låsa startomkopplaren i tillslaget läge. Försök aldrig på något sätt låsa startomkopplaren i läget "ON".
3. Börja såga efter att klingan har uppnått full hastighet.

### VIKTIGT:

- För att förhindra slag när drift påbörjas startar klingan med minskad hastighet. (Mjukstart)
4. Se till att såga i en rak skärlinje. Kontrollera klingans framkant genom det genomskinliga skyddet och för verktyget framåt med jämn hastighet.

### ⚠ VARNING

- Se till att hålla skon på cirkelsågen plant mot arbetsstycket vid sågning för att undvika farliga bakslag.
  - Försök aldrig tvinga cirkelsågen framåt. Använd ett lätt och regelbundet tryck.
5. Avbryt sågningen, om motorn börjar kännas för varm. Låt verktyget svalna, innan arbetet fortsätts.
  6. Det är en god regel att alltid ta loss batteriet efter avslutat arbete och innan verktyget läggs undan.

## Inställning av skärdjup

- Ta loss batteriet.
- Lossa djupinställningsratten och ställ in skärdjupet. Välj lämpligt djup med hjälp av graderingarna på det undre skyddet. Dra åt djupinställningsratten ordentligt efter att önskat skärdjup har ställts in.
- \* För trämaterial med en tjocklek på max. 10 mm (3/8") bör skärdjupet ställas in så att klingan sticker ut ca 5 mm (3/16") från undersidan på arbetsstycket.

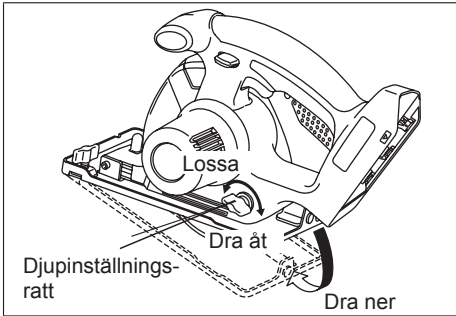


Bild 9

## Mothåll (EY3500B7727)

(finns som tillbehör, medföljer ej)

Mothållet gör det lättare att klyva långa arbetsstycken och att såga flera arbetsstycken efter varandra med samma bredd.

- Ta loss batteriet.
- Skjut in mothållet och ställ in skärbredden (se bild 10).
- Dra åt skruven ordentligt för att spänna fast mothållet.

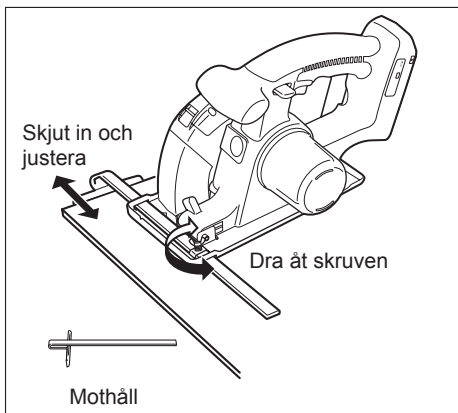


Bild 10

## Uppsamling av damm

### ⚠ VARNING

- \* Töm alltid dammhuven, öppna den främre skyddskåpan och avlägsna dammet före sågning i metallmaterial.
- Användning av cirkelsågen med brandfarliga material i dammhuven vid sågning i metallmaterial kan resultera i brand.
- \* Använd alltid cirkelsågen med dammhuven påmonterad vid sågning i metallmaterial.
- Kringflygande gnistor och metallspån kan orsaka kroppsskada.
- \* Anslut inte en dammsugare vid sågning i metallmaterial. Gnistor och heta metallspån kan få dammsugaren att fatta eld. Använd en dammsugare i enlighet med dess anvisningar.

(1) Samla upp damm i dammhuven.

- \* Töm dammhuven, när den är fylld med damm.
- \* Töm dammhuven före förvaring av cirkelsågen.
- \* Dammhuvens kapacitet
  - Ungefär 130 sågningar vid kapning av elledningsrör med en tjocklek på 25 mm (1")
  - Ungefär 150 sågningar vid kapning av trävirke med en tjocklek på 45 mm (1-25/32") x 45 mm (1-25/32")

### ANMÄRKNING:

Vid sågning i vissa material kan det hända att damm ansamlas på insidan av den främre skyddskåpan.

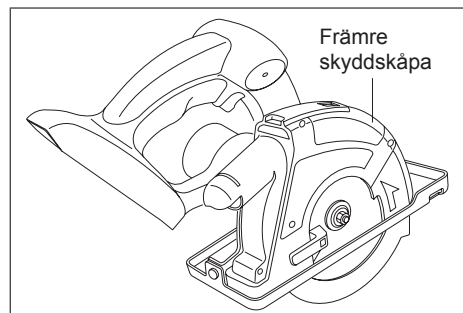


Bild 11

(2) Samla upp damm med hjälp av en dammsugare.

\* Anslut en dammsugarslang till cirkelsågen med hjälp av slangadaptorn EY9X012E (tillval).

Kompatibel innerdiameter på slang: 30 mm (1") – 38 mm (1-2/1")

\* Använd dammsugaren i enlighet med dess anvisningar.

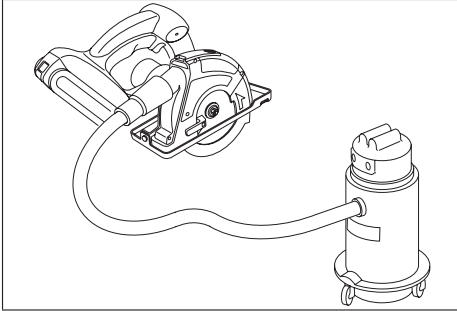


Bild 12

#### ANMÄRKNING:

Om cirkelsågen har svårt att blåsa ut eller samla upp damm: Dammutloppet kan vara tilltäppt av damm. Öppna den främre skyddskåpan och avlägsna eventuellt damm.

## LED-ljus

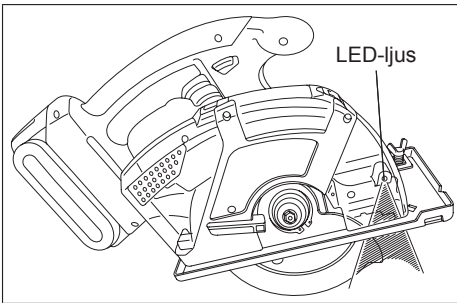


Bild 13

LED-ljuset tänds när startomkopplaren trycks ner och släcks när startomkopplare släpps.

• Ljuset tänds med väldigt låg strömstyrka och har ingen nämnvärd påverkan på verktygets prestanda vid användning eller dess batterikapacitet.

#### VIKTIGT:

- Det inbyggda LED-ljuset är konstruerat för att kunna belysa ett litet arbetsområde temporärt.
- LED-ljuset kan inte ersätta en vanlig ficklampa, eftersom dess ljusstyrka inte är tillräckligt stark.

#### Viktigt: TITTA INTE RAKT IN I STRÅLEN.

Användning av reglage, justeringar eller utförande av åtgärder utöver vad som beskrivs här kan resultera i exponering för farlig strålning.

## Manöverpanel



(1)

(2)

(3)

### (1) Varningslampa för överhettning



Släckt  
(normal drift)

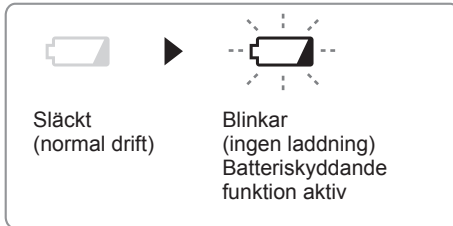


Blinkar: Överhettning  
Anger att driften stoppats  
p.g.a. överhettning i  
batteriet.

Verktöget har ett överhettningsskydd som stoppar verktygets drift för att skydda batteriet i händelse av överhettning. Varningslampan för överhettning på manöverpanelen börjar blinka, om överhettningsskyddet aktiveras.

- Om överhettningsskyddet aktiveras, så låt verktyget svalna ordentligt (i minst 30 minuter). Verktöget är klart att användas, när varningslampan för överhettning har slöknat.
- Undvik att använda verktyget på ett sätt som medför att överhettningsskyddet aktiveras gång på gång.
- Om verktyget används när temperaturen är låg (t.ex. under vintern), eller om den stoppas ofta under användning, kan det hända att skyddsfunktionen för överhettning inte aktiveras. Prestandan för EY9L42 minskar kraftigt vid och under 10 °C på grund av arbetsförhållanden och andra faktorer.
- Temperaturen i omgivningen skall vara mellan 0 °C och 40 °C.  
Om batteriet används under fryspunkten 0 °C, kan verktyget fungera onormalt.
- När du ska ladda ett kallt batteri (under 0 °C) på ett varmt ställe, ska du låta batteriet ligga på detta ställe minst en timme i förväg så att batteriet får rumstemperatur.

## (2) Varningslampan för svagt batteri



Omättlig (fullständig) urladdning av ett litiumjonbatteri förkortar batteriets livslängd avsevärt. Verktøget inkluderar en batteriskyddande funktion som är till för att förhindra omättlig urladdning av det laddningsbara batteriet.

- Den batteriskyddande funktionen aktiveras strax innan batteriet laddas ur och får då varningslampan för svagt batteri att börja blinka.
- Ladda omedelbart batteriet vid upptäckt att varningslampan för svagt batteri blinkar.
- Om maskinen startas med för lite batterikraft återstående, kan den sluta fungera utan att varningslampan för batteriladdning först blinkar. Detta indikerar att för lite batterikraft finns kvar för att använda verktøget och att batteriet måste laddas före vidare användning.
- Om verktøget under användning blir föremål för en plötslig belastning som får motorn att låsa sig, kan överladdningssensorn aktiveras och varningslampan för batteriladdning kan börja blinka. Lampan slutar blinka när du behandlar orsaken till motorns låsning samt släpper och trycker in avtryckaren.

### VIKTIGT:

Skyddsfunktionen för överurladdning fungerar även när både varningslampan för svagt batteri och LED-ljuset blinkar.

- Ladda batteriet omedelbart när batterikraften blir låg.
- När du ska ladda ett kallt batteri (under 0°C) på ett varmt ställe, ska du låta batteriet ligga på detta ställe minst en timme i förväg så att batteriet får rumstemperatur.
- Försvagning och avbrott i strömförsörjningen inträffar när batteriets spänning sjunker på grund av hög belastning av motorn. Utför inte arbeten som upprepade gånger gör att skyddsfunktionen för överurladdning aktiveras.

## Korrekt användning (detaljerade anvisningar)

### ⚠ VARNING

För att förebygga allvarliga personskador:

- Det är viktigt att en lämplig fastspänningsanordning används till att hålla fast arbetsstycket som ska sågas ordentligt, liksom att hålla sågen i ett stadigt grepp med båda händerna, för att undvika att förlora kontrollen, vilket kan leda till personskada.
- Bild 14 visar korrekt arbetsställning vid sågning.
- Observera att händerna måste hållas borta från arbetsområdet.
- Kontrollera att inga andra personer befinner sig för nära arbetsområdet eller under arbetsstycket.
- Försök inte hålla i ett arbetsstycke med handen vid sågning.

### Sågning i större plåtskivor:

Stötta upp en större plåtskiva korrekt. Se till att ställa in skärduppet så att endast arbetsstycket, och inte stöden, sågas. (Se bild 15.)

Stora plåtskivor sjunker ihop eller viker sig, om de inte stötts ordentligt. Vid sågning i en plåt som inte ligger plant och inte är ordentligt förankrad tenderar klingan att kärva, så att bakslag kan uppstå. (Se bild 16.)

- Stötta inte arbetsstycket för långt bort från skärområdet.

### Sågning i tunnt eller korrugerat material:

Såga minst 2,5 cm (1") från kanten på arbetsstycket vid sågning i ett tunnt eller korrugerat material för att undvika personskador eller skador på verktøget till följd av att smala metallremsor dras in i det övre skyddet.

- Använd endast skarpa blad. Rena och skarpa blad minskar risken för nypning och kast.



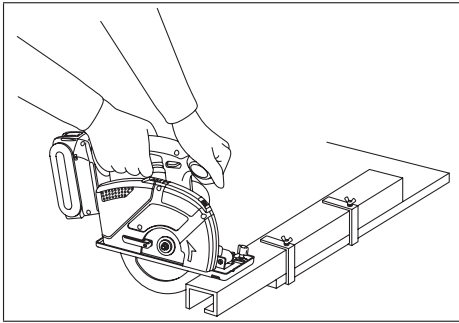


Bild 14

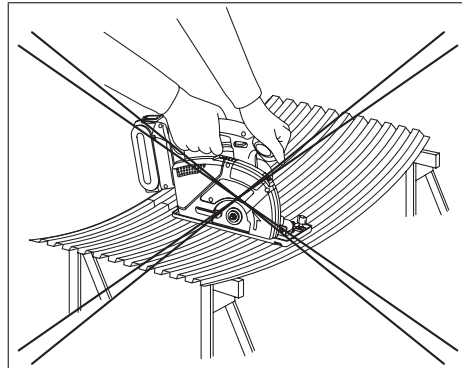


Bild 16

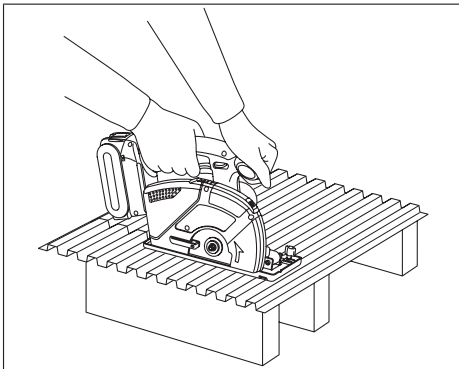


Bild 15

#### **⚠ VARNING**

För att förebygga allvarliga personskador:

- Om en pågående sågning av någon anledning avbryts, eller om klingan kärvar eller cirkelsågens motor stannar, så släpp genast upp startomkopplaren och håll cirkelsågen orörlig i arbetsstycket tills klingan har stannat helt.
- Undvik bakslag genom att aldrig försöka lyfta cirkelsågen från arbetsstycket eller dra den bakåt medan klingan är i rörelse. Kontrollera att klingan har stannat helt, innan cirkelsågen lyfts från arbetsstycket.
- Återuppta sågning genom att starta cirkelsågen, vänta tills klingan har uppnått full hastighet, långsamt föra in klingan i arbetsstycket igen och fortsätta såga.

1. Placera den bredare kanten på skon över den del av arbetsstycket som är fast förankrad (se bild 17). Placera aldrig denna kant över en del av arbetsstycket som kommer att ramla loss vid sågning (se bild 18).

Håll i cirkelsågen ordentligt för att inte förlora kontrollen över den. Oförsiktig användning kan medföra svår personskada.

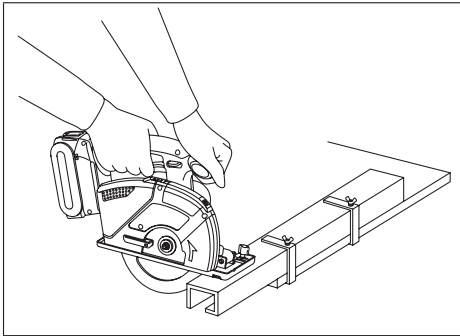


Bild 17

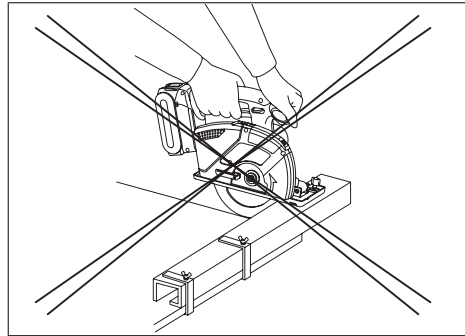


Bild 18

2. Kontrollera att klingan stannar.  
Även om verktöget är försett med en broms är det viktigt att kontrollera att klingan har stannat helt och att det undre skyddet har stängts, innan verktöget ställs ner.
3. Använd inte verktöget, om något verkar onormalt. Ta i så fall omedelbart loss batteriet.  
Ta loss batteriet och använd inte verktöget, om verktöghuset blir väldigt hett eller om verktöget inte fungerar som det ska. Låt därefter en auktoriserad serviceverkstad kontrollera verktöget.

#### **⚠ VARNING**

Försök inte själv reparera verktöget, eftersom det kan medföra risk för allvarig personskada eller brand. Försök aldrig plocka isär eller modifiera verktöghuset. Det finns inga delar inuti verktöget som kan repareras av användaren.

4. **LÅT ALDRIG CIRKELSÄGEN KOMMA I KONTAKT MED NÅGON KROPPSDEL.**  
Låt inte cirkelsågen snudda vid benet eller sidan efter avslutat arbete.  
Eftersom det undre skyddet är uppfällbart kan det fastna i kläder och få klingan att blottas. Håll kläder borta från verktöget. Tänk på att klingan delvis är blottad både vid det övre och det undre skyddet.

#### **⚠ VARNING**

Eftersom gnistor bildas vid sågning i metall:

- Använd alltid skyddsglasögon.
- Använd inte verktöget i närheten av brandfarliga ämnen eller i lokaler där brandfarliga ämnen används. Det kan resultera i brand och brännskador.

5. Koppla aldrig in spindelspärren medan klingan roterar och försök aldrig stoppa verktöget för hand.  
Tryck aldrig in startomkopplaren medan spindelspärren är inkopplad, eftersom det resulterar i allvarig skada på verktöget.

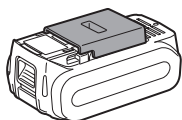
## [Batteri] Korrekt hantering av batteri

### Litiumjonbatteri

- Förvara litiumjonbatteriet utan att ladda upp det efter användning för att erhålla optimal batterilivslängd.
- Kontrollera vid laddning av batteriet att polerna på batteriladdaren är fria från främmande ämnen, såsom damm eller vatten. Rengör polerna innan batteriet laddas, om något främmande ämne återfinns på polerna.

Batteripolernas livslängd kan vid drift påverkas av främmande ämnen, såsom damm eller vatten.

- När batteriet inte används ska det hållas borta från mynt, nycklar, gem, spikar, skruvar och andra små metallföremål som kan orsaka kortslutning genom att vidröra kontaktarna.  
En kortslutning av batteriets kontakter kan orsaka gnistor, brand eller brännskador.
- Se till att arbetsområdet har god ventilation vid användning av batteriet.
- Sätt genast på batteriskyddet igen efter att batteriet har tagits loss från verktöghuset för att förhindra ansamling av damm eller smuts på batteripolerna och kortslutning.



## Batteriets livslängd

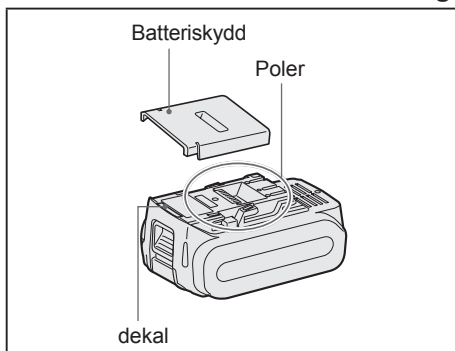
Batteriet har en begränsad livslängd. Om batteriets kapacitet är extremt kort efter att ha laddats ordentligt, skall det bytas ut mot ett nytt.

## Batteriåtervinning

### OBSERVERA:

Se till att batteriet lämnas på anvisad plats för återvinning, när sådan finns, för att bidra till att skydda miljön.

## Rekommendationer för användning



### Se till att använda batteriskyddet

- När batteriet inte används bör det förvaras på ett sätt som gör att främmande ämnen, såsom damm eller vatten, inte kan hamna på batteripolerna. Var noga med att skydda batteripolerna genom att sätta på batteriskyddet.
- Kontrollera vid laddning av batteriet att polerna på batteriladdaren är fria från främmande ämnen, såsom damm eller vatten. Rengör polerna innan batteriet laddas, om något främmande ämne återfinns på polerna. Batteripolernas livslängd kan vid drift påverkas av främmande ämnen, såsom damm eller vatten.

### ⚠ VIKTIGT:

För att skydda motorn och batteriet, skall du komma ihåg följande vid denna användning.

- Om batteriet blir varmt kommer skyddsfunktionen att aktiveras och batteriet sluta fungera.

Varningslampan för överhettning på manöverpanelen tänds eller blinkar när denna funktion är aktiv.

## För säker användning

- Batteriet ska monteras genom vidta att två säkerhetsåtgärder. Kontrollera att batteriet är ordentligt monterat på huvudenheten före användning.
- Om batteriet inte är ordentligt anslutet när en brytare slås på kommer varningslampan för överhettning och varningslampan för lågt batteri att blinka för att indikera att säker hantering inte är möjlig och huvudenheten kommer inte att rotera normalt. Anslut batteriet till verktygets enhet tills du inte längre kan se den röda eller gula dekalen.

## [Batteriladdare]

## Laddning

### VIKTIGT:

- Laddaren är utformad för att endast användas med standard hushållsströmkälla som anges på märkplåten. Ladda endast med spänningen som indikeras på verktygets märkplåt t.ex. 230 V / 50 Hz.
- Försök inte att använda den med någon annan spänning eller frekvens!
- Om batteriets temperatur sjunker till under cirka  $-10\text{ }^{\circ}\text{C}$ , så avbryts laddning automatiskt för att förhindra försämring av batteriets prestanda.
- Ladda inte ett batteri vars temperatur understiger  $0\text{ }^{\circ}\text{C}$ .
- När du ska ladda ett kallt batteri (under  $0\text{ }^{\circ}\text{C}$ ) på ett varmt ställe, ska du låta batteriet ligga på detta ställe minst en timme i förväg så att batteriet får rumstemperatur.
- Kyl ner laddaren om du tänker ladda mer än två batterier i följd.
- Stick inte in fingrarna i kontakthålet när du håller laddaren i handen eller vid andra tidpunkter.

### ⚠ VIKTIGT:

lakta följande för att förhindra brand och andra skador.

- Täck inte över ventilationshålen på laddaren och batteriet.
- Koppla loss batteriladdaren från vägguttaget, när den inte ska användas.

### ANMÄRKNING:

Batteriet är inte helt uppladdat när det säljs. Se till att ladda upp batteriet före användning.

### Hur man laddar

1. Anslut laddaren till ett vägguttag.

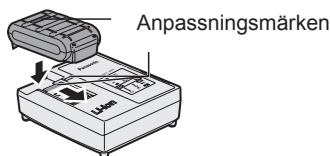
#### OBSERVERA:

Gnistor kan uppstå när kontakten sätts in i eluttaget men det är inget säkerhetsproblem.

2. Anslut batteriet ordentligt i laddaren.

- 1 Placera batteriet i dockan på laddaren med anpassningsmärkena placerade mot varandra.

- 2 Skjut batteriet framåt i pilens riktning.



3. Laddningslampan är tänd under laddning.

För att förhindra överladdning kopplar en inbyggd brytare automatiskt bort laddningsfunktionen när laddningen är färdig.

- Om batteriet är för varmt (t.ex. direkt efter tungt arbete) startar inte laddningen. Den orange standbylampan blinkar tills batteriet har svalnat. Därefter påbörjas laddningen automatiskt.

4. Den gröna laddningslampan börjar blinka långsamt när batteriet har nått cirka 80 % laddning.
5. När laddningen är klar slocknar den gröna laddningslampan.
6. Om batteriets temperatur är 0°C eller lägre, så tar det längre tid än normalt att ladda upp batteriet helt. Även när batteriet har laddats upp helt har det bara cirka 50% av den styrka som gäller för ett batteri som laddats upp helt vid normala temperaturförhållanden.
7. Rådgör med en auktoriserad återförsäljare, om laddningslampan (grön) inte slocknar.
8. Vid isättning av ett fulladdat batteri i laddaren på nytt kommer laddningslampan att tändas. Efter ett antal minuter slocknar den gröna laddningslampan.

### Lampindikationer

		Laddningen är klar (batteriet helt uppladdat).
		Batteriet är uppladdat till cirka 80 %.
		Laddning pågår.
		Laddaren är ansluten till vägguttaget. Redo för laddning.
		Laddningslampor (för laddningstillstånd) Vänster: grön lampa; Höger: orange lampa
		Batteriet är kallt. Batteriet laddas upp långsamt för att minska belastningen på batteriet
		Batteriet är för varmt. Laddningen startar när batteriet har svalnat. Om batteriets temperatur är -10 °C eller lägre, så börjar den orange laddningslampan också att blinka. Laddningen startar då efter att batteriet har värmts upp en aning.
		Laddningen kan inte starta. För mycket damm eller felaktigt batteri.

Släckt

Lyser

Blinkar

## Information för användare om hopsamling och avfallshantering av gammalt material och använda batterier



Dessa symboler på produkter, förpackningar och/eller medföljande dokument betyder att man inte ska blanda elektriska och elektroniska produkter eller batterier med vanliga hushållssopor.



För att gamla produkter och använda batterier ska hanteras och återvinnas på rätt sätt ska man ta dem till passande uppsamlingsställe i enlighet med nationella bestämmelser och direktiven 2002/96/EC och 2006/66/EC.



När du kasserar dessa produkter och batterier på rätt sätt hjälper du till att spara på värdefulla resurser och förebygga en potentiell negativ inverkan på människors hälsa och på miljön som annars skulle kunna uppstå p.g.a. otillbörlig avfallshantering.

För mer information om uppsamling och återvinning av gamla produkter och batterier, var god kontakta din kommun, din avfallshanterare eller det försäljningsställe där du köpte din artikel.

Olämplig avfallshantering kan beläggas med straff i enlighet med nationella bestämmelser.

## För affärsanvändare inom den Europeiska Unionen

Om du vill kassera elektrisk eller elektronisk utrustning, var god kontakta din återförsäljare eller leverantör för ytterligare information.

## [Information om avfallshantering i länder utanför den Europeiska Unionen]

Dessa symboler är endast giltiga inom den Europeiska Unionen. Om du vill kassera dessa föremål, var god kontakta dina lokala myndigheter eller din lokala återförsäljare och fråga efter rätt metod för avfallshantering.

## V. UNDERHÅLL

### ⚠ VARNING

Undvik personskador genom att alltid ta loss batteriet från verktyget, innan något underhållsarbete påbörjas.

### VIKTIGT:

För att säkerställa SÄKER och TILLFÖRLITLIG drift bör all service av produkten överlämnas åt en auktoriserad serviceverkstad. Kräv alltid att Panasonic originalreservdelar används.

## Rengöring av verktyget

Sörj för god sågningsprestanda och bättre säkerhet genom att hålla verktyget rent.

### Gör så här:

1. Ta loss batteriet från verktyget.
2. Torka av verktyget med en torr, mjuk trasa. Använd inte en våt trasa eller rengöringsvätska.  
Det kan skada cirkelsågens ytbehandling.
3. Se till att torka bort olja eller fett, som kan göra verktyget halt och svårhanterat.

4. Demontera klingan och borsta bort eventuellt damm.

### VIKTIGT:

- Undvik kroppsskada eller skada på verktyget genom att aldrig sänka ner någon del av verktyget i vätska.
- Om det skulle hända att vatten tränger in i verktyget eller batteriet, så töm ut vattnet och låt verktyget/batteriet torka så fort som möjligt. Avlägsna försiktigt eventuell ansamling av damm eller järnfilspån från insidan av verktyget. Kontakta en reparationsverkstad, om något problem vid användning av verktyget uppstår.

## Genomskinligt skydd

### ⚠ VARNING

Om det genomskinliga skyddet har spruckit eller gått sönder, så ta verktyget till en auktoriserad serviceverkstad för utbyte. Försök inte använda cirkelsågen i sådant tillstånd, eftersom det kan resultera i allvarlig personskada. Använd aldrig verktyget medan det genomskinliga skyddet är skadat eller inte påmonterat. Kringflygande spån kan resultera i allvarlig kroppsskada.

## VI. TILLBEHÖR

### ⚠ VARNING

- Användning av andra tillbehör än de som anges i denna bruksanvisning kan resultera i brand, elektriska stötar eller personskador. Använd endast rekommenderade tillbehör.
- Användning av en klinga till ett material som är tjockare eller tunnare än vad som rekommenderas för klingan ifråga resulterar i svår sågning och ökad risk för bakslag eller annan kroppsskada.

Karbidtandad klinga för metall

- EY9PM13E  
För sågning i ohärdat järnmaterial  
Materialtjocklek:  
0,5 mm – 6,0 mm

Karbidtandad klinga för tunn metall (valfritt tillbehör)

- EY9PM13F  
För sågning i ohärdat tunnt järnmaterial med krav på rena sågkanter  
Materialtjocklek:  
0,5 mm – 6,0 mm

Karbidtandad klinga för trä (valfritt tillbehör)

- EY9PW13C  
För sågning i trä i allmänhet

Karbidtandad klinga för tunnt trä (valfritt tillbehör)

- EY9PW13D  
För sågning i tunnt trä med krav på rena sågkanter  
Rekommenderad materialtjocklek: upp till 12 mm

Karbidtandad klinga för plast (valfritt tillbehör)

- EY9PP13C  
För sågning i plast  
Rekommenderad materialtjocklek för plattor av akryl eller vinylklorid:  
2,0 mm – 5,0 mm  
Rekommenderad materialtjocklek för korrugerade plattor eller rör:  
0,8 mm – 5,0 mm

Slangadapter för dammsugare (valfritt tillbehör)

- EY9X012E

Mothåll (valfritt tillbehör)

- EY3500B7727  
För lättare klyvning av långa arbetsstycken och upprepad sågning med samma bredd

## VII. SPECIFIKATIONER

### ANMÄRKNING:

Viktangivelse

Större än eller lika med 1 kg: anges med 0,05 kg.

Mindre än 1 kg : anges med 0,01 kg.

## SLAGSKRUVDRAGARE

Modellnr.	EY45A2				
Motorspänning	DC 14,4 V			DC 18 V	
Klingans rotationshastighet	3600 rpm (min <sup>-1</sup> )			4500 rpm (min <sup>-1</sup> )	
Klingstorlek					
Ytterdiameter	135 mm				
Axeldimension	20 mm				
Max. skärdjup	0 - 46 mm (Φ135 mm klinga)				
Maximalt vridmoment	5,4 N•m			6,7 N•m	
Total längd	292 mm (endast huvudenhet)				
Vikt	2,05 kg (endast huvudenhet)				
Batteri	Litiumjonbatterier				
	EY9L42	EY9L44	EY9L45	EY9L50	EY9L51
	DC 14,4 V			DC 18 V	
Buller Vibration	Se det bifogade arket.				

## BATTERILADDARE

Modellnr.	EY0L82					
Elektriska specifikationer	Se märkplåten på undersidan av laddaren.					
Vikt	0,93 kg					
Laddningstid	Modellnr.	EY9L42	EY9L44	EY9L45	EY9L50	EY9L51
	Användbart	30 min.	40 min.	50 min.	40 min.	55 min.
	Fulladdat	35 min.	55 min.	60 min.	55 min.	70 min.

**ANMÄRKNING:** Denna tabell kan innehålla modeller som inte finns tillgängliga i ditt område.  
Vi hänvisar till senaste produktkatalog.  
Återförsäljarens namn och adress anges på det medföljande garantikortet.

## VIII. BILAGA

### GARANTITILLÄGG

- Driftstörning och skada orsakad av konstant användning under längre tid (t.ex., fabriksarbete på monteringsbanan, m.m.) täcks inte av garantin.
- Skada eller fel orsakade av tillbehör som inte är angivna i denna anvisning täcks inte av garantin.

**Opprinnelige bruksanvisninger: Engelsk  
Oversettelse av de opprinnelige bruk-  
sanvisningene: Andre språk**

**Les heftet "Sikkerhetsveiledning" og  
følgende før du tar i bruk verktøyet.**

## I. INTRODUKSJON

Dette verktøyet er en flerfunksjonssag. Ved å skifte blad, kan det brukes til å sage tre, metall og plastikk. Støv kan samles opp i en integrert støvbeholder eller med en tilkoblet støvsuger (ved å koble slangen til sagen).

### **△FARE**

Dette produktet er en sag, laget for å sage gjennom metall og tre. Den har et roterende blad, som kan forårsake dype kutt, som kan medføre alvorlige skader eller død. Av den grunn, vennligst les denne brukerhåndboken og de forsiktighetsreglene som er angitt på verktøyet nøye, og følg alle sikkerhetsinstrukser for å unngå slike skader.

### **△ADVARSEL**

For å unngå skader, må du aldri stikke fingeren eller noe annet objekt inn i en av åpningene i verktøyet.

### **△ADVARSEL**

**Les alle sikkerhetsadvarsler og alle instruk-  
sjoner.**

Dersom advarsler og instruksjoner ikke følges, kan det føre til elektrisk støt, brann og/eller alvorlig skade.

## Hvordan denne håndboken skal brukes

- Vennligst les hele denne håndboken før du begynner å sage med verktøyet. Hvis du lar noen andre bruke dette verktøyet, kontroller at de enten leser denne håndboken eller er instruert om riktig bruk og alle sikkerhetsreglene som gjelder for verktøyet.
- Vennligst ta vare på denne håndboken for fremtidig referanse. Den inneholder viktig sikkerhetsinformasjon som du må følge for trygg bruk av verktøyet.
- Denne håndboken og produktet bruker disse varselsordene:

### **MERK**

Merknader gir tilleggsinformasjon som du bør vite om verktøyet.

### **FORSIKTIG**

Forsiktig indikerer en mulig farlig situasjon, som kan føre til mindre eller moderate skader dersom situasjonen ikke unngås. Forsiktighetsmerknader varsler deg også om usikre metoder som må unngås.

### **ADVARSEL**

En advarsel indikerer en mulig farlig situasjon, som kan føre til alvorlige skader eller død dersom situasjonen ikke unngås.

### **FARE**

Fare indikerer en overhengende fare som vil føre til alvorlig skade eller død dersom situasjonen ikke unngås.

**Les heftet "Sikkerhetsinstrukser" og teksten  
nedenfor før bruk.**



## II. YTTERLIGERE SIKKERHETSREGLER

### Sikkerhetsregler for alle sager

#### △FARE

- 1) **Hold hendene vekk fra området som sages og bladet. Hold den andre hånden på ekstrahåndtaket eller på motorhuset.** Holdes sagen med begge hender, kan de ikke skjæres av bladet.
- 2) **Ikke rekk med hendene under arbeidsstykket.** Bladskjermen kan ikke beskytte deg på undersiden av arbeidsstykket.
- 3) **Juster skjæredybden eller tykkelsen på arbeidsstykket.** Mindre enn en full lengde av bladtennene bør være synlig nedenfor arbeidsstykket.
- 4) **Hold aldri et arbeidsstykke som skal sages i hendene eller over beina. Fest arbeidsstykket til et stabilt underlag.** Det er viktig at et arbeidsstykke støttes skikkelig opp for å redusere faren for å komme borti kroppen, for at bladet setter seg fast eller at du mister kontrollen over verktøyet.
- 5) **Hold verktøyet i de isolerte gripeoverflatene når du arbeider på en slik måte at verktøyet kan komme i kontakt med ledninger eller sin egen ledning.** Kontakt med en strømførende ledning vil føre til at også metalldele på verktøyet blir strømførende og vil gi brukeren elektrisk støt.
- 6) **Når du bruker saken til kløving, må du alltid bruke et kløvgerde eller en rett kantføring.** Dette øker skjærrets nøyaktighet og reduserer faren for at bladet setter seg fast.
- 7) **Bruk alltid et blad med riktig format og form på akselhullet (diamant eller rundt).** Blad som ikke passer til monteringshullet vil rotere med kast, slik at du mister kontroll over sagen.
- 8) **Bruk aldri mellomskiver eller bolter av feil type eller som er skadet.** Bladmellomskivene og bolten er spesielt utformet for din sag, for optimal ytelse og sikker bruk.

### Ytterligere sikkerhetsregler for alle typer sager

Årsaker til tilbakeslag og hvordan det kan forhindres:

- Tilbakeslag er en plutselig reaksjon på et fastklemt, festet, eller feiljustert sagblad, som fører til at en ukontrollert sag løfter seg opp og vekk fra arbeidsstykket og mot brukeren.
- Når bladet er klemt eller sitter fast i et sagsnitt som lukkes, stanser bladet, og motoren reagerer slik at enheten slår raskt tilbake mot brukeren.
- Blir bladet vridd eller kommer ut av stilling i sagsporet, vil tennene i bakkanten av bladet kunne grave seg ned i overflaten av treet, slik at bladet klatrer ut av sporet og hopper bakover mot brukeren.

Tilbakeslag skyldes feil bruk av verktøyet og/eller feil bruksmåte eller forhold som kan unngås ved å følge forholdsreglene nedenfor.

- 1) **Hold saken godt fast med begge hender og plasser armene slik at du kan tåle kreftene fra et tilbakeslag. Plasser kroppen din på den ene eller andre siden av bladet, men ikke på linje med bladet.**  
Tilbakeslag kan forårsake at saken hopper bakover, men kreftene fra tilbakeslaget kan kontrolleres av brukeren hvis de riktige forholdsregler følges.
- 2) **Når bladet setter seg fast, eller når sagingen av en eller annen grunn må avbrytes, må du slippe opp bryteren og holde saken i ro i arbeidsstykket til bladet stanser helt. Forsøk aldri å fjerne saken fra arbeidsstykket eller trekke saken bakover så lenge bladet roterer, da dette kan føre til tilbakeslag.**  
Kontroller og foreta justeringer slik at bladet ikke setter seg fast.
- 3) **Når saken startes igjen i arbeidsstykket, må De sentrere sagbladet i sagsporet og kontrollere at tennene ikke sitter fast mot arbeidsstykket.**  
Sitter sagbladet fast, vil saken tvinge seg opp eller gi et tilbakeslag fra arbeidsstykket når den startes på nytt.
- 4) **Støtt opp store plater for å redusere faren for at bladet klemmes fast og saken slår tilbake.**  
Store plater har en tendens til å henge ned av sin egen vekt. Støtte må plasseres under platen på begge sider, både i nærheten av sagsporet og nær kantene på platen.



- 5) **Ikke bruk sløve eller skadete blader.**  
Uskarpe eller feilinnstilte blad gir et smalt sagspor som fører til ekstra friksjon, blad som fester seg og tilbakeslag.
- 6) **Låsespakene for bladdybde og skråjustering må være strammet til og sikret før du starter sagingen.**  
Skulle bladinnstillingen endre seg i løpet av sagingen, kan bladet sette seg fast og føre til tilbakeslag.
- 7) **Vær ekstra forsiktig når du gjør et "lommeskjær" inn i vegger eller andre blindområder.**  
Det utstikkende bladet kan treffe gjenstander som kan gi tilbakeslag.

## Sikkerhetsregler for denne sagen

- 1) **Kontroller at den nedre bladskjermen lukkes skikkelig før hver gangs bruk. Ikke bruk sagen dersom bladskjermen ikke flytter seg fritt og lukker seg med det samme. Den nedre bladskjermen må aldri klemmes eller bindes fast i åpen stilling.**  
Slippes sagen ved et uhell, kan den nedre bladskjermen bli bøyd. Hev den nedre bladskjermen med løftespaken på den nedre bladskjermen og kontroller at den beveger seg fritt og at den ikke berører bladet eller andre deler i alle vinkler og skjæredybdet.
- 2) **Kontroller at fjæren til den nedre bladskjermen fungerer og er i god stand. Fungerer ikke fjæren eller bladskjermen skikkelig, må de repareres før sagen tas i bruk.**  
Den nedre bladskjermen kan bevege seg tregt på grunn av skadde deler, klebrige avleiringer eller på grunn av sagspon.
- 3) **Den nedre bladskjermen bør kun trekkes tilbake manuelt ved spesiell bruk, som for eksempel "lommekutt" og "not og fjær." Hev den nedre bladskjermen med løftespaken for den nedre bladskjermen så snart bladet treffer arbeidsstykket.**  
For all annen saging må du la den nedre bladskjermen fungere automatisk.
- 4) **Pass alltid på at den nedre bladskjermen dekker bladet før du legger sagen ned på arbeidsbenken eller gulvet.**  
Et ubeskyttet, roterende blad vil føre til at sagen beveger seg bakover og skjærer i det som måtte komme i veien for den. Vær klar over den tiden det tar før bladet stanser å rotere etter at du slipper opp bryteren.
- 5) **Bruk ikke skurende hjul.**
- 6) **Bruk støvmaske hvis arbeidet forårsaker støv.**

- 7) **Benytt sagblad som anbefales av produsenten.**
- 8) **Bruk hørselvern når verktøyet brukes over lengre tid.**
- 9) **Risikoen for tilbakeslag øker når batteriet blir utladet.**
- 10) **Sørg for å kontrollere materialet. Unngå å skjære andre typer materialer.**
- 11) **Pass på så du ikke mister verktøyet.**
- 12) **Verktøyet må aldri svinges.**
- 13) **Dekk aldri til ventilasjonsåpningene, og hold dem frie for støv og andre materialer.**
- 14) **Ikke sett sagen fast i en skruestikke. Sag aldri med verktøyet snudd opp ned i en skruestikke. Det er svært farlig og kan føre til alvorlige ulykker.**
- 15) **Bruk aldri strikkehansker.**
- 16) **Forsikre deg om at det ikke står noen under arbeidsstedet når du bruker sagen på høye steder.**
- 17) **Ikke ta på bladet rett etter at det har vært i bruk. Det kan være varmt og gi brannskader på huden.**
- 18) **Ikke ta på materialet rett etter at det har blitt kuttet. Kuttete materialer kan være svært varme.**
- 19) **Bruk ikke skjæreolje. Bruk av skjæreolje kan medføre brann.**
- 20) **Skjær ikke i arbeidsstykker som er dekket med eller tilsølt med bensin, olje, løsemidler, tynnere etc.**  
Den gjennomslittige bladskjermen kan skades ved å utsettes for slike stoffer.
- 21) **Ikke fjern den gjennomslittige eller den nedre bladskjermen. Hvis den gjennomslittige eller nedre bladskjermen er skadd eller borte, returner verktøyet til et autorisert verksted for utskifting.**
- 22) **Ikke start bladet når det er i kontakt med arbeidsstykket. Vent til bladet har oppnådd full hastighet før du begynner å skjære.**

## Symbol

Symbol	Betydning
V	Volt
— — — —	Likestrøm
$n_0$	Hastighet uten belastning
... min <sup>-1</sup>	Omdreininger eller støt
A	Ampere
	For å redusere faren for personskader, må brukeren ha lest og forstått bruksanvisningen.
	For kun bruk inne i huset.

### ⚠ ADVARSEL

- Ikke bruk andre enn Panasonic batteripakker som er laget for bruk med dette oppladbare verktøyet.
- Panasonic kan ikke ta ansvar for skader eller ulykker som skjer på grunn av bruk av gjenbrukte batteripakker eller falske batteripakker.
- Ikke kast batteripakken i åpne flammer eller utsett den for ekstrem varme.
- Ikke slå spiker eller tilsvarende inn i batteriet, utsett det for sjokk, ta det fra hverandre eller forsøk å modifisere det.
- Ikke la metallobjekter berøre polene på batteriet.
- Ikke frakt eller oppbevar batteripakken i samme beholder som spiker eller tilsvarende metallobjekter.
- Ikke lad opp batteriet i områder der det er høy temperatur, som for eksempel ved siden av åpne flammer eller i direkte sollys. Batteriet kan overopphetes, ta fyr, eller eksplodere.
- Ikke bruk andre enn den dedikerte laderen for å lade opp batteriet. Batteriet kan lekke, ta fyr, eller eksplodere.
- Etter at batteriet er tatt ut av verktøyet eller laderen, må du alltid sette pakkedekselet på plass. Dersom ikke det gjøres kan kontaktene kortsluttes, noe som medfører brannrisiko.

- Dersom batteripakkens ytelser er blitt forringet, skift den ut med en ny en. Fortsatt bruk av en defekt batteripakke kan føre til varmeutvikling, brann eller brudd på batteriet.

## III. OPPSETT

### Sette på eller fjerning av batteriet

#### FORSIKTIG:

Før du setter inn batteripakken, må du kontrollere at strømbryteren på sagen beveger seg riktig og returnerer til stilling "OFF" når du slipper den.

1. For å sette inn batteripakken (Se Fig. 2)  
Rett inn de markerte innrettingsmerkene og sett på batteripakken.
  - Skyv batteriet inn til det låser seg i riktig stilling.

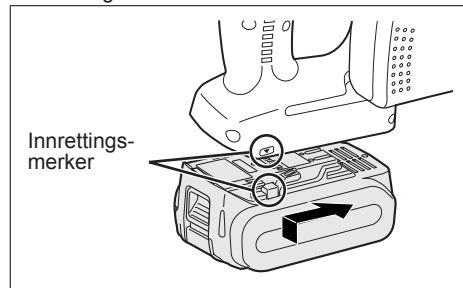


Fig. 2

2. For å ta ut batteripakken (Se Fig. 3)  
Trykk ned knappen og skyv batteripakken framover.

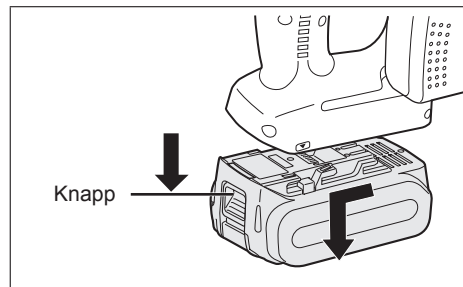


Fig. 3

## IV. BRUK

### Før du tar saken i bruk

Dette verktøyet skal kun brukes til skjæring av uherdet stål, metall, tre og plast. Se i avsnittet "Ekstraustyr" for å se en liste over blader som kan anvendes for riktig bruk av dette verktøyet. Følgende forholdsregler må følges for å redusere risikoen for skader:

- Skjær ikke stablede materialer. Skjær ett stykke om gangen.
- Skjær ikke i herdet stål.
- Skjær materialer med den brede siden av foten over den fastspente delen av materialet.
- Berør ikke sagbladet, arbeidsstykket eller sagspon med bare hender umiddelbart etter saging. De kan være varme og brenne huden din.

Hver gang du skal bruke verktøyet, må du kontrollere at det er i god stand.

Bruk følgende sjekkliste:

1. Er bladet satt inn riktig vei?  
Pilen på bladet skal peke samme vei som pilen på den øvre bladskjermen.
2. Er bladet korrekt montert?  
Kontroller at sekskantbolten er skikkelig tilstrammet. (Se Fig. 6)
3. Ser bladet ut til å være i orden?  
Bytt ut bladet så snart du ser noen sprekker i det eller dersom en av tennene er brukket.
4. Fungerer den nedre bladskjermen korrekt?

#### ⚠ ADVARSEL

For å unngå skader må du ikke bruke saken dersom den nedre bladskjermen ikke lukker seg raskt over bladet.

5. Er den gjennomsiktige bladskjermen forsvarlig montert?
6. Er batteripakken oppladet og satt skikkelig på plass i verktøyet?
7. Er dybdejusteringsspaken for saging forsvarlig strammet til?
8. Er arbeidsstykket forsvarlig fastsatt på en sagbukk eller arbeidsbenk?
9. Er støvbeholderen eller frontdekselet tettet med støv?
10. Bruk kun bladet som er klassifisert for høyere hastigheter enn hovedenheten.  
Bladet kan bli skadet hvis bladet brukes under den klassifiserte hastigheten til hovedenheten.

Frigjør frontdekselet og fjern støv som tetter på innsiden av dekselet. Hvis dekselet er tettet, bruk en lang gjenstand som for eksempel en manuell skrutrekker for å frigjøre det. Etter at det er gjort, lukk frontdekselet. (Se Fig. 4)

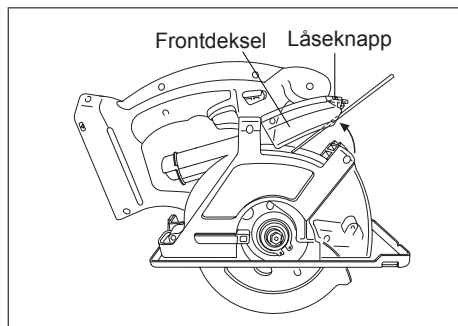


Fig. 4

Hvis det er støv inni støvbeholderen, frigjør støvbeholderknappen, ta ut støvbeholderen og fjern støvet. Etter at det er gjort, sett støvbeholderen tilbake på plass. (Se Fig. 5)

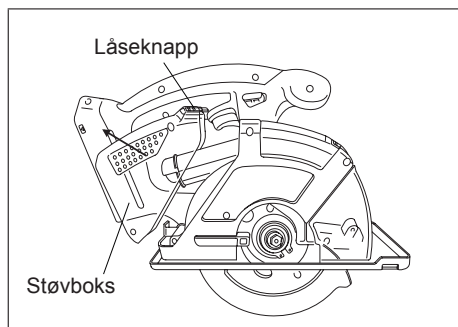


Fig. 5

## Montere bladet

### Følg denne fremgangsmåten:

1. Fjern batteripakken fra verktøyet.
2. Fjern alle kuttresten fra området rundt bladet.
3. Bruk den nedre skjermens løftespake til å trekke tilbake (åpne) den nedre bladskjermen.
4. Monter bladet som vist på illustrasjonen. (Se Fig. 6)  
Kontroller at retningspilen på bladet og på den gjennomsiktige bladskjermen peker i samme retning.
5. Sett den ytre mellomskiven på plass.
6. Sett inn sekskantbolten.
7. Hold nede knappen for aksellås. Dette forhindrer at bladet kan rotere.
8. Stram til sekskantbolten med den medfølgende sekskantnøkkelen. Legg sekskantnøkkelen på plass.

### MERK:

Oppbevar sekskantnøkkelen i lagringsslissen på sagen når nøkkelen ikke er i bruk.

### ⚠ ADVARSEL

Følges ikke denne fremgangsmåten, kan det oppstå alvorlig personskade.

## Fjerne bladet

### FORSIKTIG:

Bladet vil være varmt med det samme det har vært i bruk. La bladet bli avkjølt før du fjerner det.

### Følg denne fremgangsmåten:

1. Fjern batteripakken fra verktøyet.
  2. Hold nede knappen for aksellås. Dette forhindrer at bladet kan rotere.
  3. Bruk den medleverte sekskantnøkkelen for å løsne sekskantbolten.
- ### MERK:
- Oppbevar sekskantnøkkelen i lagringsslissen på sagen når nøkkelen ikke er i bruk.
4. Fjern sekskantbolten og den ytre mellomskiven.
  5. Bruk den nedre skjermens løftespake til å trekke tilbake (åpne) den nedre bladskjermen.
  6. Fjern bladet forsiktig.
  7. Rengjør verktøyet om nødvendig.

### FORSIKTIG:

Pass på at du ikke skjærer hendene på bladet.

- Når du kaster bladet, må du pakke det godt inn i kraftig eller bølget papir. Dette vil forebygge at noen andre kan skjære seg på det kasserte bladet.

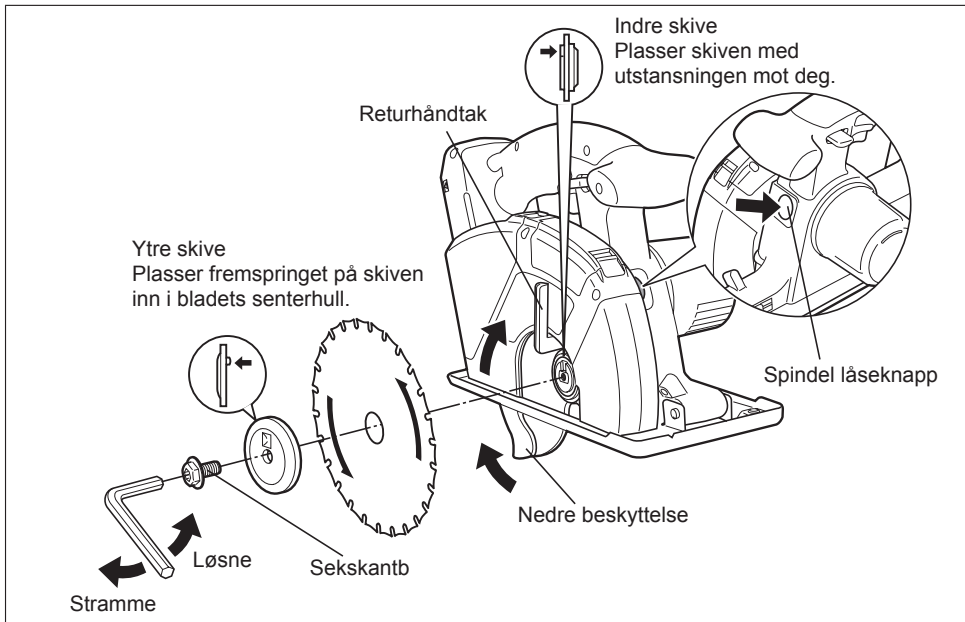


Fig. 6

## Bruk av verktøyet

### FORSIKTIG:

For å redusere risikoen for skader, les sikkerhetsinstruksjonene på begynnelsen av denne bruksanvisningen før du tar verktøyet i bruk.

### ⚠ADVARSEL

Bruk alltid vernebriller eller briller med sidebeskyttelse for å redusere risikoen for skader. Benytt en støvmaske i tillegg når du skjærer materialer som forårsaker store mengder partikler. Ikke bruk sagen i regn. Dersom det gjøres, kan det medføre elektrisk støt eller forårsake at det ryker av sagen.

Ikke sag opp materiale der det er malingstynner, bensin, olje eller lignende. Dersom dette gjøres, kan det medføre at støvbeholderen sprekker, som igjen kan føre til skader.

### Følg denne fremgangsmåten:

Hold verktøyet med begge hender. (Se Fig. 8) Ikke forsøk å fjerne saget materiale mens bladet roterer.

1. Rett inn siktelinjen på skoen med kuttelinjen. (Se Fig. 7)

### Innretting med skjærelinje

- Plasser hakket på skoen over kuttelinjen, ved å rette inn de overste og nederste hjørnene av den diamantformede åpningen med linjen. Ettersom skjæreposisjonen er avhengig av bladet, forsøk et prøvekutt først.

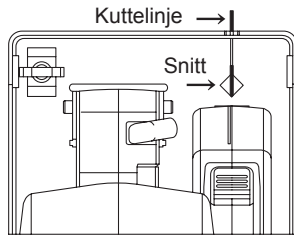


Fig. 7

2. Trykk ned låsespaken for bryteren, trykk deretter inn strømbryteren for å starte motoren, og slipp så ut låsespaken.

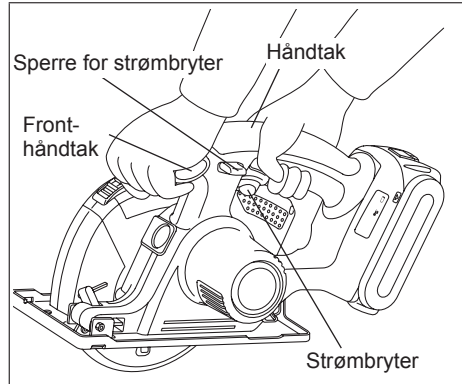


Fig. 8

### FORSIKTIG:

- Kontroller at bryterens låsespak fungerer. Hvis det er mulig å aktivere strømbryteren uten å trykke på låsespaken, må du avbryte funksjonen med en gang. Ta verktøyet med til et autorisert servicesenter.
  - Hold alltid håndtaket med en hånd, og gripepunktet fremme med den andre. (Se Fig. 8) Hold et fast grep og trykk bryteren helt inn.
  - Bladet bør ikke komme i kontakt med materialet før du starter motoren. Vent til bladet når maks. Hastighet før du begynner å kutte.
  - Dette verktøyet har ikke muligheter til å låse bryteren i stilling "ON" (På), og du må heller ikke prøve å gjøre dette.
3. Begynn å skjære når bladet har oppnådd full hastighet.

### FORSIKTIG:

- For å forhindre reaksjon når du starter driften, starter bladet å bevege seg med redusert hastighet. (Myk start)
4. Under kuttingen må du passe på å sage rett fremover. Skyv kutteren fremover med jevn hastighet samtidig som du følger spissen av bladet gjennom den gjennomsiktige blad-skjermen.

### ⚠ADVARSEL

- Hold foten av sagen flatt mot overflaten til arbeidsstykket som kuttes for å unngå farlige tilbakeslag.
- Bruk aldri makt på verktøyet. Bruk et lett og kontinuerlig trykk.

5. Dersom motoren føles for varm, må du stanse arbeidet. La verktøyet avkjøles før du fortsetter arbeidet.
6. Det er alltid en god regel å ta ut batteripakken etter bruk og før verktøyet settes bort til oppbevaring.

## Justering av kuttedybde

- Fjern batteripakken.
- Løsne mutteren for dybdejustering og juster kuttedybden ved å bruke graderingen på den nedre skjermen for å måle dybden. Når du er ferdig med å justere dybden, stram dybdejusteringsmutteren helt.
- \* Når tremateriale er 10 mm (3/8") eller tynnere, juster kuttedybden slik at bladet stikker frem ca. 5 mm (3/16") fra bunnen av materialet.

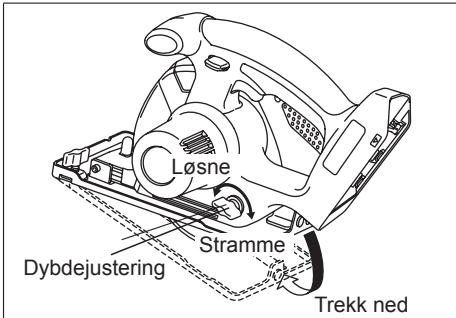


Fig. 9

## Kløyvgjerde (EY3500B7727)

(Tilgjengelig som ekstrautstyr. Følger ikke med) Kløyvgjerdet er nyttig for rispede kutt og gjentatte kutt med samme bredde.

- Fjern batteripakken.
- Sett på kløyvgjerdet og juster kuttbredden. (Se Fig. 10)
- Stram til skruen forsvarlig for å feste kløyvgjerdet.

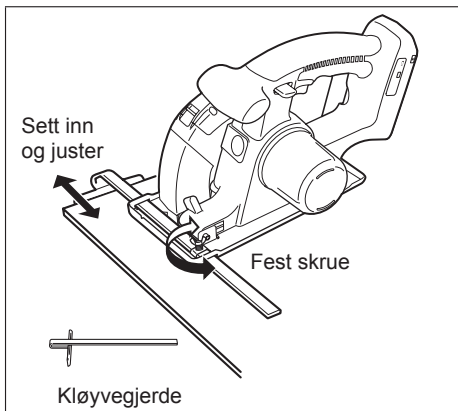


Fig. 10

## Samling av støv

### ⚠ ADVARSEL

- \* Før du kutter metallmaterialer, tøm alltid støvbeholderen, åpne frontdekslet og fjern støvet.
- Å bruke sagen med brennbart materiale i støvbeholderen for å skjære metallmaterialer kan føre til brann.
- \* Når metallmaterialer skal sages, skal alltid sagen brukes med støvbeholderen påmontert.
- Flyvende gnister og metallbiter kan medføre personskader.
- \* Ikke koble støvsuger til når du skjærer metallmaterialer. Gnister og varme metallbiter kan forårsake at støvsugeren tar fyr. Bruk støvsugeren i henhold til dens instruksjoner.

(1) Samle opp støv i støvbeholderen.

- \* Tøm støvbeholderen når den er fylt opp med støv.
- \* Tøm støvbeholderen før du setter sagen til oppbevaring.
- \* Støvbeholderens kapasitet
  - Ved saging av elektriske ledningsrør med en diameter på 25 mm (1"), ca. 130 kutt
  - Ved saging av 45 mm (1-25/32") x 45 mm (1-25/32") tømmer, ca. 150 kutt

### MERK:

Noen materialer kan forårsake at støv tetter insiden av frontdekslet når de kuttes.

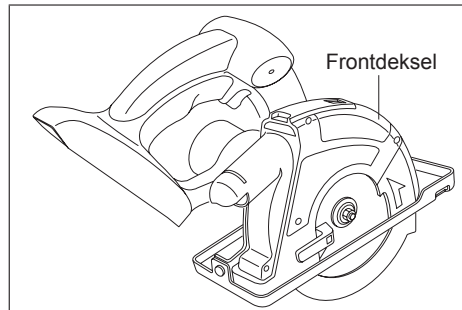


Fig. 11

(2) Bruk med støvsuger for å samle støv.

- \* Koble sagen til slangen ved bruk av EY9X012E slangekobling for støvsuger (solgt separat).  
Indre diameter på kompatibel slange: 25 mm (1") til 38 mm (1-2/1")
- \* Følg støvsugerens instruksjoner når den brukes.

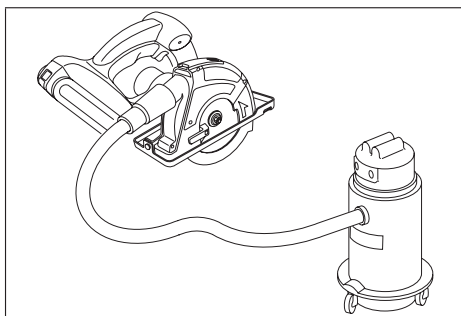


Fig. 12

**MERK:**

Når sagen har vanskelig for å frastøte eller samle støv, kan støvavløpet være tettet av støv. Åpne frontdekselet og fjern støvet.

**LED-lys**

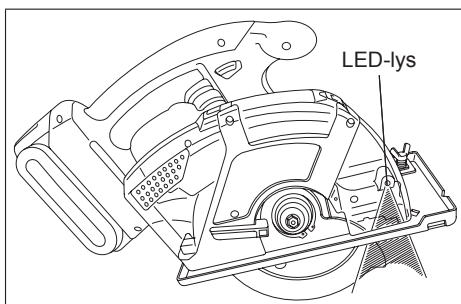


Fig. 13

LED-lyset lyser når strømbryteren trykkes inn og slår seg av når strømbryteren frigjøres.

- Lyset bruker svært lite strøm, og påvirker ikke ytelsen til verktøyet ved bruk eller batterikapasiteten.

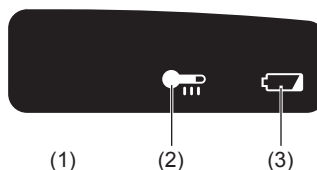
**FORSIKTIG:**

- Det innebyggede LED-lyset er laget for midlertidig opplysning av små arbeidsområder.
- Ikke bruk det som en erstatning for vanlig lommelykt, da det ikke gir tilstrekkelig lys.

**Forsiktig: IKKE SE INN I LYSSTRÅLEN.**

Bruk av kontroller eller justeringer eller utføring av prosedyrer annet enn de som er spesifisert her, kan føre til skadelig eksponering til kortbølgeenergi.

**Betjeningspanel**



**(1) Varsellampe for overoppheting**

Av (normal drift)		Blinker: Overoppheting. Viser at maskinen har stanset p.g.a batterioveroppheting

Beskyttelsesfunksjonen mot overoppheting stanser verktøyet for å beskytte batteripakken ved tilfeller av overoppheting. Varsellampen for overoppheting blinker når denne funksjonen er på.

- Hvis beskyttelsesfunksjonen aktiveres, la verktøyet avkjøles skikkelig (minst 30 minutter). Verktøyet er klart til bruk når varselampen for overoppheting slukkes.
- Unngå bruk av verktøyet som forårsaker beskyttelsesfunksjonen for overoppheting å gjentas ofte.
- Hvis verktøyet brukes kontinuerlig under forhold med lav temperatur (f.eks. om vinteren) eller om det ofte stopper under bruk, kan det skyldes at beskyttelsesfunksjonen mot overoppheting ikke aktiveres.

Ytelsen til EY9L42 svekkes betraktelig ved 10 °C og lavere temperatur på grunn av driftsforholdene og andre faktorer.

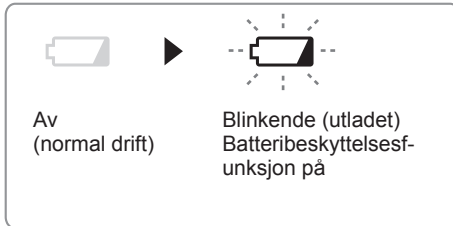
- Temperaturen må være mellom 0 °C (32 °F) og 40 °C (104 °F).

Dersom du forsøker å bruke batteripakken når batteritemperaturen er under 0 °C (32 °F), kan det være at verktøyet ikke fungerer skikkelig.

- Ved opplading av et kaldt batteri (under 0 °C (32 °F)) på et varmt sted, la batteriet stå der og vent i over en time for å varme opp batteriet til riktig temperatur.



## (2) Varsellampe for lavt batteri



Overdreven (full) utlading av litiumbatterier forkorter deres levetid dramatisk. Verktøyet har en beskyttelsesfunksjon for batteriet som er laget for å forhindre overdreven utlading av batteripakken.

- Beskyttelsesfunksjonen for batteriet slår seg på straks før batteriet er tomt for strøm, og forårsaker at batterilampen blinker.
- Hvis du oppdager at batterilampen blinker, lad batteripakken opp med en gang.
- Om verktøyet er startet med for lite gjenværende batterikraft kan det stanse uten at varsellampen for lavt batteri blinker først. Dette angir at det er for lite strøm igjen til å bruke verktøyet og at batteriet må lades før mer bruk.
- Om verktøyet under bruk utsettes for en plutselig belastning som får motoren til å låse seg kan sensoren for forhindring av overbelastning løses ut og varsellampen for lavt batteri blinker. Lampen stopper å blinke når du fjerner årsaken til opphenget og slår bryteren av og på.

### FORSIKTIG:

Beskyttelsesfunksjonen mot overutlading fungerer selv når både varsellampen for lavt batteri og LED-lyset blinker.

- Lad opp batteripakken øyeblikkelig når strømmen på batteriet blir lavt.
- Når du lader opp en kald batteripakke (under 0 °C (32 °F)) på et varmt sted, la batteripakken være på plass og vent minst én time for å varme opp batteriet til nivået til batteritemperaturen.
- Svekk og koble fra strømmen som brukes etter som spenningen til batteriet raser nedover på grunn av den høye lasten på motoren. Ikke utfør operasjoner som vil føre til at forhindringsfunksjonen for overutlading vil aktiveres gjentatte ganger.

## For riktig bruk (flere detaljer)

### ⚠ ADVARSEL

For å forhindre muligheten for alvorlige personskader:

- Det er viktig å bruke en hensiktsmessig innretning for å holde materialet som kuttes forsvarlig fast. Det er også viktig å holde kutteren godt fast med begge hender for å forhindre at du mister kontroll over den, som igjen kan føre til personskade.
- Figur 14 viser riktig kutteposisjon.
- Pass på at hendene holdes unna skjæreområdet.
- Sørg for at andre tilstedeværende personer holder seg borte fra arbeidsområdet og fra undersiden av arbeidsstykket.
- Hold ikke tak i materialet du kutter med hånden.

### Kutting av store plater;

Støtt opp store plater. Sørg for å stille inn kuttedybden slik at du bare sager gjennom arbeidsstykket, og ikke gjennom støttene. (Se Fig. 15)

Store plater siger ned eller bøyer seg hvis de ikke blir støttet opp på riktig måte. Hvis du forsøker å sage uten at arbeidsstykket er rett eller riktig støttet opp vil bladet sette seg fast, som fører til tilbakeslag. (Se Fig. 16)

- Støtt ikke opp materialet for langt unna kuttet.

### Kutting av tynt eller bølget materiale;

Kutt tynt eller bølget materiale minst 25 mm (1") fra kanten av arbeidsstykket for å unngå personskade eller ødeleggelse på verktøyet, forårsaket av tynne metallremser som blir dratt opp i den øvre bladskjermen.

- Bruk kun skarpe blad. Rene og skarpe blad reduserer stans og tilbakeslag.

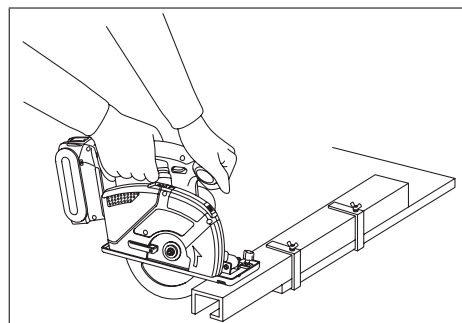


Fig. 14

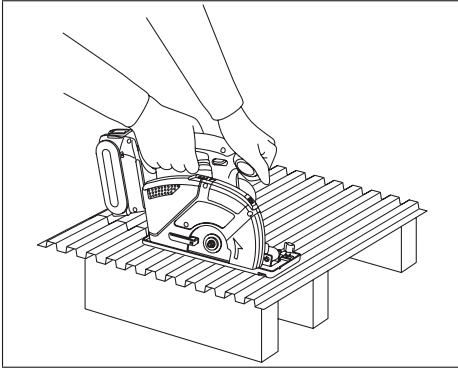


Fig. 15

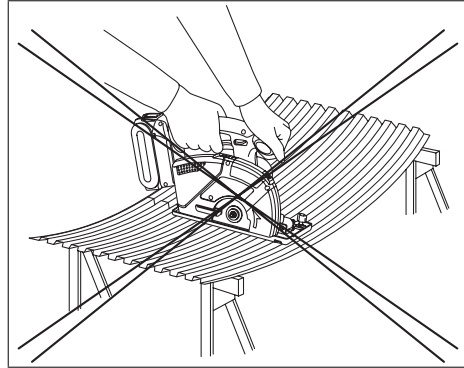


Fig. 16

### ⚠ADVARSEL

For å forhindre muligheten for alvorlig personskade:

- Når du gjør et ufullstendig kutt eller sagingen blir avbrutt eller bladet setter seg fast eller sagen stopper, må du frigjøre strømbryteren straks og holde sagen stille i arbeidsstykket til bladet stopper helt.
- For å unngå tilbakeslag må du aldri fjerne sagen fra arbeidsstykket eller trekke sagen bakover mens bladet roterer. Kontroller at bladet har stanset helt før du fjerner sagen fra arbeidsstykket.
- For å fortsette sagingen, start sagen og la bladet komme opp i maks hastighet, og før sagen sakte tilbake til kuttstedet og fortsett skjæringen.

1. Plasser den bredeste delen av skoen på den delen av arbeidsstykket som er godt støttet (Se Fig. 17), og aldri på den delen som vil falle av når kappingen er fullført. (Se Fig. 18)  
Hold sagen stødig for å forhindre at du mister kontrollen. Uforsiktighet kan medføre alvorlig personskade.

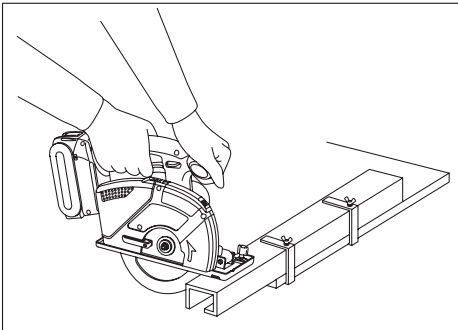


Fig. 17

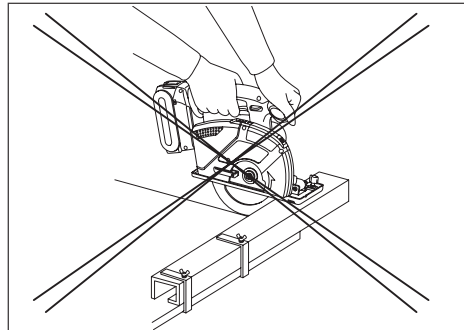


Fig. 18

2. Kontroller at bladet stanser.  
Selvom ditt verktøy har en brems, kontroller at bladet har stanset helt og den nederste skjermen er lukket før du setter verktøyet ned.
3. Ikke bruk sagen dersom noe virker uvanlig. Fjern batteripakken straks.  
Dersom verktøyet blir svært varmt, eller ikke virker som det skal, fjern batteripakken og stans bruken. La et autorisert servicesenter kontrollere det.

### **⚠ADVARSEL**

For å forhindre risikoen for alvorlig personskade eller brann må du ikke forsøke å reparere verktøyet selv. Ikke ta verktøyet fra hverandre eller modifierer det. Det finnes ingen interne deler som brukeren kan utføre service på.

#### 4. LA ALDRI SAGEN KOMME I KONTAKT MED KROPPEN DIN.

Etter at et kutt er gjort, ikke la sagen berøre beinet ditt eller siden av kroppen.

Siden den nedre skjermen er bevegelig, kan den gripe klærene dine og blotte bladet. Hold klærene unna verktøyet. Vær klar over de blottede delene av bladet i områdene ved den øvre og nedre skjermen.

### **⚠ADVARSEL**

Fordi det oppstår gnister ved metallkutting:

- Bruk alltid vernebriller.
- Ikke bruk verktøyet nær brennbart materiale eller i områder der det brukes brennbart materiale. Dette kan medføre brann og forbrenninger.

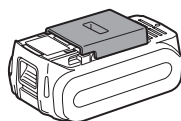
#### 5. Ikke bruk aksellåsen mens bladet går, eller bruk den som en måte å stanse verktøyet. Aldri skru maskinen må mens aksellåsen er på. Det vil medføre at verktøyet ødelegges.

## [Batteripakke]

### For riktig bruk av batteripakke

#### Li-ion-Batteripakke

- Oppbevar batteriet etter bruk uten å lade opp for å sikre lengre levetid.
- Ved oppladning av batteripakken, kontroller at polene på batteriladeren er fri for fremmedlegemer så som støv eller vann. Rens polene før du lader opp batteripakken hvis du finner fremmedlegemer på polene. Batteripakkepolenes levetid kan bli påvirket av fremmedlegemer så som støv eller vann mens de er i bruk.
- Når du ikke bruker batteripakken, skal den oppbevares borte fra metallgjenstandene som binders, mynter, nøkler, spiker, skruer osv., fordi de kan ha en elektrisk forbindelse med batteripakken. Kortslutningen kan forårsake gnister, forbrenning eller brann.
- Forsikre deg om arbeidsrommet er godt ventilert under bruk av batteripakken.
- Når du fjerner batteripakken fra verktøyet, skal batteripakkedekselet lukkes for å hindre at batteripolene blir forurenset av støv eller skitt, noe som kan føre til kortslutning.



#### Oppbevaring av batteriet

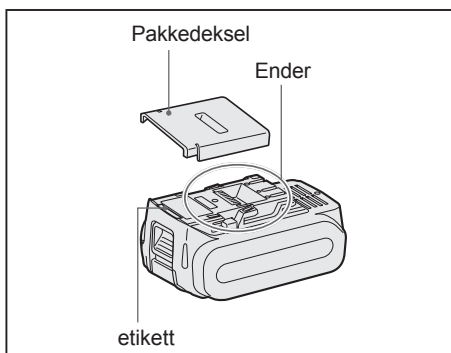
Oppladbare batterier har en begrenset levetid. Hvis brukstiden er uvanlig kort selv etter en korrekt opplading, bør batteriet byttes ut med et nytt.

#### Resirkulering av batteri

##### LEGG MERKE TIL:

For å resirkulere materialer og beskytte miljøet, sørg for å avhende batteriet på et offisielt godkjent sted hvis et slikt finnes i ditt land.

#### Anbefalt bruk



## Ikke glem å bruke batteripakkedekselet

- Når batteripakken ikke er i bruk, legg batteriet på et sted der fremmedlegemer så som støv eller vann ikke forurenser batteripolene. Ikke glem å bruke batteripakkedekselet for å beskytte batteripolene.
- Ved oppladning av batteripakken, kontroller at polene på batteriladeren er fri for fremmedlegemer så som støv eller vann. Rens polene før du lader opp batteripakken hvis du finner fremmedlegemer på polene. Batteripakkepolenes levetid kan bli påvirket av fremmedlegemer så som støv eller vann mens de er i bruk.

### ⚠ **FORSIKTIG:**

For å beskytte motoren eller batteriet, pass på følgende når arbeidet utføres.

- Hvis blir varmt, vil beskyttelsesfunksjonen bli aktivert og batteriet vil stoppe å fungere. Varsellampen for overheting på betjeningspanelet lyser eller blinker når denne funksjonen er aktiv.

## For trygg og sikker bruk

- Batteripakken skal installeres i henhold til en to-trinns sikkerhetsforanstaltning. Sørg for at batteripakken er korrekt installert i hovedenheten før bruk.
- Dersom batteripakken ikke er koblet til korrekt når bryteren er slått på, vil varsellampen for overoppheting og varsellampen for lavt batteri blinke for å indikere at sikker bruk ikke er mulig, og hovedenheten vil ikke rotere som normalt. Koble til batteripakken i verktøyets enhet inntil den røde eller gule etiketten forsvinner.

## [Batterilader]

### Lading

#### **FORSIKTIG:**

- Laderen er kun laget for bruk med standard husholdningsstrøm som er oppgitt på merkeplaten. Lad kun på spenningen som indikeres på enhetens merkeplate, f.eks. 230 V/50 Hz.
- Du må ikke forsøke å bruke den med en annen spenning eller frekvens!

- Dersom temperaturen til batteripakken faller til under  $-10\text{ }^{\circ}\text{C}$  ( $14\text{ }^{\circ}\text{F}$ ), vil oppladingen stanse automatisk for å forhindre forringelse av batteriet.
- Forsøk ikke å lade batteripakken når temperaturen på den er under  $0\text{ }^{\circ}\text{C}$ .
- Ved opplading av et kaldt batteri (under  $0\text{ }^{\circ}\text{C}$  ( $32\text{ }^{\circ}\text{F}$ )) på et varmt sted, la batteriet stå der og vent i over en time for å varme opp batteriet til riktig temperatur.
- Kjøl ned laderen når det lades mer enn to batteripakker etter hverandre.
- Ikke stikk fingrene inn i kontakthullet når du holder laderen eller under andre omstendigheter.

### ⚠ **FORSIKTIG:**

For å forhindre brann eller skade på laderen,

- Ikke dekk til ventilasjonshullene på laderen og batteripakken.
- Trekk laderen ut av kontakten når den ikke er i bruk.

#### **MERK:**

Batteripakken er ikke ladet helt opp fra fabrikken. Forsikre deg om å opplade batteriet før det tas i bruk.

### Hvordan lade

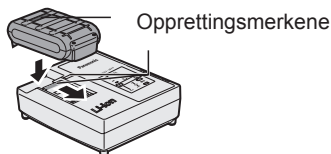
1. Laderen tilkobles nettstrøm.

#### **MERK:**

Det kan oppstå gnister når pluggen settes inn i stikkkontakten, men dette er ikke et sikkerhetsproblem.

2. Sett batteripakken godt inn i laderen.

- 1 Oppstill opprettingsmerkene og sett batteriet i dokken på laderen.
- 2 Skyv batteriet forover i retning som pilen viser.



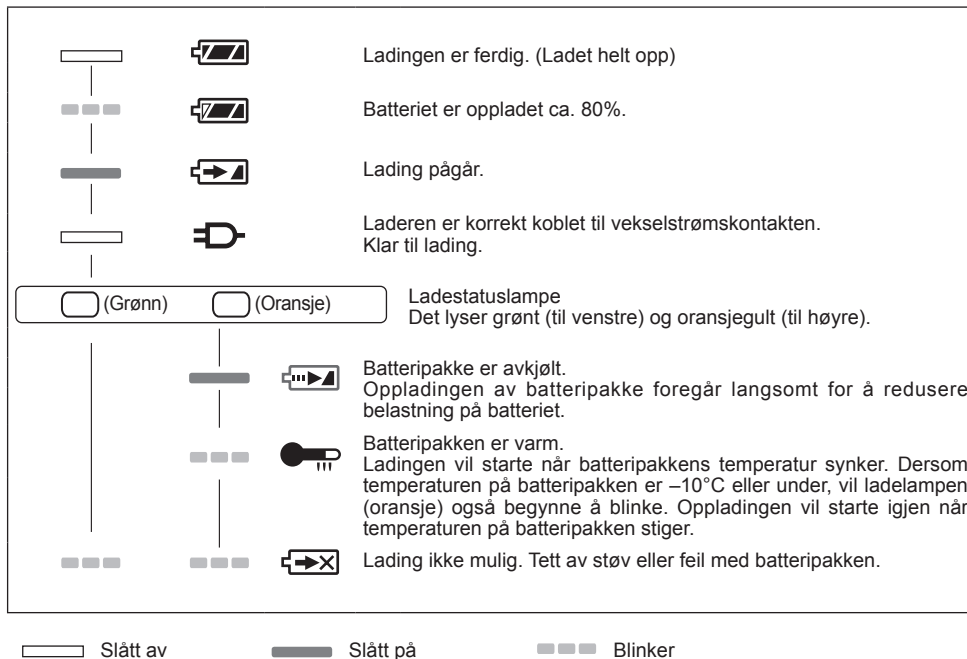
3. Under lading vil ladelampen lyse opp.

Når ladingen er fullført, sørger automatikk i ladeelektronikken for å forhindre overlading.

- Lading vil ikke skje hvis batteriet er for varmt (for eksempel som rett etter ekstremt tunge belastninger). Den oransjegule ventelampen vil fortsette å blinke inntil at batteriet er avkjølt. Lading vil da gjenopptas automatisk.

- Ladelampen (grøn) vil blinke sakte når batteriet er ladet opp ca. 80%.
- Når ladingen er ferdig, slår den grønne ladelampen seg av.
- Dersom temperaturen på batteripakken er 0°C eller under, tar det lengre tid til å lade batteriet helt opp enn vanlig. Selv om batteriet er ladet helt opp, ville det gi ca. 50% av ytelsen som er oppladet på normal arbeidstemperatur.
- Ta kontakt med en autorisert forhandler dersom ladelampen (grønn) ikke slår seg av.
- Når du setter en ferdigoppladet batteripakke i batteriladeren igjen, vil indikatorlampen lyse. Etter noen minutter slår den grønne ladelampen seg av.

## Lampeindikatorer



## Brukerinformasjon om innsamling og håndtering av gammelt utstyr og brukte batterier



Slike symboler på produkter, emballasje, og/eller på medfølgende dokumenter betyr at brukte elektriske/elektroniske produkter og batterier ikke må blandes med vanlig husholdningsavfall.



For riktig håndtering og gjenvinning av gamle produkter og brukte batterier, vennligst lever dem til anvendelige innsamlingssteder, i samsvar med nasjonal lovgivning og direktivene 2002/96/EC og 2006/66/EC.



Ved riktig håndtering av disse produktene og batteriene, hjelper du til med å spare verdifulle ressurser og forhindre potensielle negative effekter på menneskers helse og miljøet, som ellers kan oppstå ved uriktig avfallshåndtering.

For mer informasjon om innsamling og gjenvinning av gamle produkter og batterier, vennligst ta kontakt med kommunen, ditt renovasjonsselskap eller stedet der du kjøpte gjenstandene.

Ukorrekt håndtering av dette avfallet kan medføre straffansvar, i overensstemmelse med nasjonal lovgivning.

## For forretningsdrivende brukere i EU

Dersom du ønsker å kaste elektrisk og elektronisk utstyr, vennligst ta kontakt med din forhandler eller leverandør for videre informasjon.

## [Informasjon om håndtering i land utenfor EU]

Disse symbolene gjelder bare innenfor EU. Ønsker du å kaste slike gjenstander, vennligst kontakt dine lokale myndigheter eller forhandler og spør etter riktig fremgangsmåte for håndtering.

## V. VEDLIKEHOLD

### ⚠ ADVARSEL

For å unngå alvorlige personskader må du alltid fjerne batteripakken fra sagen før du starter vedlikeholdsarbeidet.

### FORSIKTIG:

For å sikre produktets SIKKERHET og PÅLITELIGHET, må service utføres hos et autorisert servicesenter. Insister på at det alltid benyttes originale Panasonic reservedeler.

## Rengjøring av verktøyet

For å opprettholde en god ytelse og sikker bruk, må du holde verktøyet rent.

### Følg denne fremgangsmåten:

1. Fjern batteripakken fra verktøyet.
2. Tørk av verktøyet med en tørr, ren klut. Bruk ikke en våt klut eller renssevæsker. Dette kan skade sagens overflate.
3. Pass på å tørke godt av eventuell olje eller fett som kan gjøre verktøyet glatt eller vanskelig å håndtere.
4. Ta ut bladet og børst av alt støv.

### FORSIKTIG:

- For å unngå skader eller skader på verktøyet, må du aldri utsette noen del av det for væsker.
- Hvis verktøyets eller batteripakkens innside skulle komme i kontakt med vann, la det renne av og la det tørke så fort som mulig. Fjern forsiktig all støv eller jernfilspon som samler seg inne i verktøyet. Hvis du skulle ha problemer med betjeningen av verktøyet, rådspør et reparasjonsverksted.

## G j e n n o m s i k t i g beskyttelsesskjerm

### ⚠ ADVARSEL

Er bladskjermen sprukket eller knust, må du ta med sagen til et autorisert servicesenter og få den byttet ut. Ikke forsøk å bruke sagen. Det kan medføre alvorlig personskade.

Bruk aldri verktøyet med en skadet gjennom-siktig bladskjerm eller uten at denne skjermen er montert. Flygende metallspån kan medføre alvorlige skader.

## VI. TILBEHØR

### ⚠ ADVARSEL

- Bruken av ekstrautstyr som ikke er oppgitt i denne veiledningen kan føre til brann, elektrisk støt eller personskader. Bruk kun anbefalt ekstrautstyr.
- Bruk av blad på materiale som er tykkere eller tynnere enn det som er anbefalt for det bladet, fører til et grovt kutt og kan føre til et tilbakeslag eller andre skader.

Blad med hardmetall tenner for normalt stål:

- EY9PM13E

For kutting av uherdet stål, samt metall.

Materialets tykkelse  
0,5 mm – 6,0 mm

Blad med hardmetall tenner for tynnplater: (tilleggsutstyr)

- EY9PM13F

For saging av uherdet tynnplate stål og metall, eller der det er nødvendig med rene snitt.

Materialets tykkelse  
0,5 mm – 6,0 mm

Blad med hardmetall tenner for tre (tilleggsutstyr)

- EY9PW13C

Saging av generelt tremateriale

Blad med hardmetall tenner for tynt tremateriale (tilleggsutstyr)

- EY9PW13D

For å kutte treverk der det er nødvendig med rene kanter

Anbefalt tykkelse av materialet opp til 12 mm

Blad med hardmetall tenner for plast (tilleggsutstyr)

- EY9PP13C

For å sage plastmaterialer

Anbefalt tykkelse av akryl- og vinylplater:

2,0 mm – 5,0 mm

bølgeplater, rør

0,8 mm – 5,0 mm

Kobling for støvsugerslange (tilleggsutstyr)

- EY9X012E

Kløyvgjerde (tilleggststyr)

- EY3500B7727

For lettvindte parallelle skjæringer og gjentagende kuttinger av samme bredde.

## VII. SPESIFIKASJONER

### MERK:

Vektindikasjon

Større enn eller tilsvarende 1 kg: indikeres som 0,05 kg.

Mindre enn 1 kg : indikeres som 0,01 kg.

## HOVEDENHET

Model Nr.	EY45A2				
Motorspenning	DC 14,4 V		DC 18 V		
Bladhastighet	3600 rpm (min <sup>-1</sup> )		4500 rpm (min <sup>-1</sup> )		
Bladstørrelse	135 mm				
Utvendig diameter	20 mm				
Akselstørrelse					
Største skjæredybde	0 - 46 mm (Φ135 mm blad)				
Maksimalt dreiemoment	5,4 N•m		6,7 N•m		
Total lengde	292 mm (kun hovedenhet)				
Vekt	2,05 kg (kun hovedenhet)				
Batteri	Li-ion-batteripakker				
	EY9L42	EY9L44	EY9L45	EY9L50	EY9L51
	DC 14,4 V			DC 18 V	
Støy Vibrasjon	Se det vedlagte arket.				

## BATTERILADER

Model Nr.	EY0L82					
Elektrisk merking	Se merkeplaten på bunnen av laderen.					
Vekt	0,93 kg					
Ladetid	Model Nr.	EY9L42	EY9L44	EY9L45	EY9L50	EY9L51
	Brukbar	30 min.	40 min.	50 min.	40 min.	55 min.
	Fullt ladet	35 min.	55 min.	60 min.	55 min.	70 min.

**MERK:** Denne oversikten kan inneholde modeller som ikke er tilgjengelig i ditt område.

Vennligst konferer den seneste generelle produktkatalogen.

Forhandlerens navn og adresse står på det vedlagte garantibeviset.

## VIII. VEDLEGG

### GARANTITILLEGG

- Sammenbrudd og skade forårsaket av konsekvent bruk over lengre tid (f.eks. fabrikkarbeid på samlebåndet osv.) er utenfor garantien.
- Skader eller feil som skyldes bruk av tilbehør som ikke er oppgitt i denne veiledningen vil ikke dekkes av garantien.

**Alkuperäiset ohjeet: englanti**  
**Alkuperäisten ohjeiden käännös: muut kielet**

**Pyydämme lukemaan kirjasen “Turvallisuusohjeet” ja seuraavan ennen käytön aloittamista.**

## I. JOHDANTO

Tämä työkalu on monitoimipyörösaha. Terää vaihtamalla sitä voidaan käyttää puun, metallin ja muovin sahaamiseen. Syntynyt pöly voidaan kerätä yhdysrakenteiseen pölykoteloon tai liittämällä pölynimuri imuriliitäntään.

### △ VAARA

Tämä tuote on pyörösaha, joka on suunniteltu metallin ja puun sahaamiseen. Siinä on pyörivä terä, joka saattaa leikata syvälle ihon läpi ja aiheuttaa vakavan vamman. Lue siis tämä käyttöohje ja työkaluun merkityt huomautukset huolellisesti ja noudata kaikkia turvallisuusohjeita loukkaantumisen välttämiseksi.

### △ VAROITUS

Vammojen välttämiseksi älä koskaan työnnä someasi tai mitään esinettä työkalun aukkoihin.

### △ VAROITUS

**Lue kaikki turvallisuutta varten olevat varoitukset ja kaikki ohjeet huolellisesti.**

Varoitusten ja ohjeiden noudattamatta jättäminen saattaa johtaa sähköiskuun, tulipalon syttymiseen ja aiheuttaa vakavia vammoja.

## Tämän ohjekirjan käyttäminen

- Lue tämä käyttöohje läpi ennen kuin aloitat sahaamisen työkalulla. Jos annat jonkun muun käyttää työkalua, varmista, että he joko lukevat tämän käyttöohjeen tai saavat tarkat ohjeet työkalun käytöstä ja sen turvallisuutta koskevista varotoimista.
- Säilytä tämä käyttöohje tulevaa tarvetta varten. Siinä on tärkeitä tietoja turvallisuudesta, joita on noudatettava työkalun turvallista käyttöä varten.
- Tässä käyttöohjeessa ja tuotteessa on käytetty seuraavia tunnussanoja:

### HUOMAUTUS

Huomautusten alla annetaan lisätietoja, jotka käyttäjän tulee tietää työkalusta.

### TÄRKEÄ HUOMAUTUS

Tärkeä huomautus ilmaisee mahdollisen vaaratilanteen, joka saattaa johtaa lievään tai sitä vakavampaan vammaan, jos sitä ei ehkäistä. Tärkeissä huomautuksissa käyttäjää myös tiedotetaan vältettävistä, vaarallisista työtapoista.

### VAROITUS

Varoitus ilmaisee mahdollisen vaaratilanteen, joka saattaa johtaa vakavaan vammaan, jos sitä ei ehkäistä.

### VAARA

Vaara ilmaisee välitöntä vaaraa, joka johtaa vakavaan vammaan, jos sitä ei ehkäistä.

**Lue kirjanen “Turvallisuusohjeet” ja seuraava ennen käyttöä.**

## II. LISÄTURVASÄÄNTÖJÄ

### Turvallisuusohjeet kaikille sahoille

#### △ VAARA

- 1) **Pidä kädet poissa leikkausalueelta ja terän ulottuvilta.** Pidä toinen kätesi lisäkädensijalla tai moottorikotelon päällä. Jos pitelet sahaa molemmin käsin, terä ei ulotu leikkaamaan niitä.
- 2) **Älä kosketa työstökappaleen alapuolta.** Suojus ei suojele terältä työstökappaleen alla.
- 3) **Säädä leikkaussyvyys työstökappaleen paksuudelle sopivaksi.** Vähemmän kuin koko hammas terän hampaista tulee olla näkyvissä työstökappaleen alla.



- 4) **Älä koskaan pidä leikattavaa kappaletta käsissäsi tai jalkojesi päällä.** Kiinnitä työstökappale vakaalle pinnalle. On erittäin tärkeää kiinnittää työstökappale lujasti, jotta saha ei pääse leikkaamaan vartaloa, terä ei juutu kiinni eikä saha pääse irti otteesta.
- 5) **Pidä sähkötyökalusta kiinni sen eristetyistä tarttumispinnoista, kun leikataan sellaisissa paikoissa, joissa on mahdollista, että työkalu osuu seinän alla oleviin johtoihin tai omaan johtoonsa.** Kosketus jännitteeseen johtoon seinässä johtaa virtaa sähkötyökalun näkyvissä oleviin metalliosiin, jolloin käyttäjä saa sähköiskun.
- 6) **Käytä revittäessä aina revintäsuojaa tai suorareunaista suojaa.** Tämä parantaa leikkaustarkkuutta ja vähentää terän kiinnijuuttumisvaaraa.
- 7) **Käytä aina terää, jossa on oikeankokoiset ja –muotoiset (timantti vs. pyöreä) jyrshintuurnan reiät.** Terä, joka ei vastaa sahan varusteita, liikkuu arvaamattomasti ja aiheuttaa hallinnan menetyksen.
- 8) **Älä koskaan käytä virheellisiä terän aluslaattoja tai pultteja.** Terän aluslaatat ja pultit on suunniteltu erityisesti sahaasi varten parhaan mahdollisen suorituskyvyn ja turvallisuuden takaamiseksi.

## Lisäturvallisuusohjeita kaikille sahoille

### Takaiskun syyt ja ehkäisytavat:

- Takaisku on yhtäkkinen reaktio, joka aiheutuu siitä että terä on jäänyt puristuksiin, jumiin tai vääriin asentoon. Seurauksena on, että sahaa on mahdollton hallita, jolloin se nousee työstökappaleesta ylös- ja ulospäin ja kohden käyttäjää.
- Kun terä on tiukasti puristuksissa tai jumissa uurroksessa, terän nopeus hidastuu ja moottorin reaktio kiskaisee laitetta nopeasti taaksepäin käyttäjää kohti.
- Jos terä vääntyy tai joutuu vääriin asentoon leikkauskohdassa, terän takareunassa olevat hampaat voivat pureutua puun yläpintaan ja saada terän nousemaan ulos uurroksesta ja hyppäämään taaksepäin käyttäjää kohti.

Takaisku johtuu työkalun vääristä käytöstä ja/ tai vääristä toimenpiteistä tai olosuhteista, ja se voidaan välttää noudattamalla alla olevia ohjeita:

- 1) **Pidä sahasta tiukasti kiinni ja aseta varталosi ja käsivartesi siten, että voit vastustaa takaiskun voimaa. Sijoita itsesi niin, että olet reunan jommallakummalla puolella, mutta ei samassa linjassa terän kanssa.**

Takaisku saattaa aiheuttaa sahan hyppäämisen taaksepäin, mutta käyttäjä voi vastustaa takaiskun voimia noudattamalla asianmukaisia varotoimenpiteitä.

- 2) **Kun terä juuttuu tai kun keskeytät leikkaamiseen mistä tahansa syystä, vapauta liipaisin ja pidä sahaa liikkumatomana kiinni materiaalissa, kunnes terä pysähtyy täysin. Älä koskaan yritä poistaa sahaa työstökappaleesta tai vetää sahaa taaksepäin terän ollessa liikkeessä, koska se saattaa johtaa takaiskun syntymiseen.** Ota selville terän juuttumisen syy ja poista se.
- 3) **Kun käynnistät sahaa uudelleen työstökappaleessa, keskitä sahanterä uurrokseen ja tarkista, että hampaat eivät kosketa materiaalia.**  
Jos sahanterä juuttuu, se saattaa nousta ylös tai saattaa esiintyä takaisku, kun sahaa käynnistetään uudelleen.
- 4) **Tue suuria kappaleita terän puristumisen ja takaiskun ehkäisemiseksi.**  
Suurilla kappaleilla on taipumus painua alaspäin omasta painostaan. Tukea pitää asettaa kappaleen alle molemmin puolin, lähelle leikkauslinjaa ja lähelle kappaleen reunaa.
- 5) **Älä käytä tylsää tai vaurioitunutta terää.** Teroittamattomat tai väärin asetetut terät tuottavat kapeaa uurrosta sekä aiheuttavat liiallista kitkaa, terän juuttumista ja takaiskua.
- 6) **Terän syvyyden ja kaltevuuden säädön lukitusvipujen tulee olla tiukalla ja kiris-tettyinä ennen leikkaamisen aloittamista.**  
Jos terän säätö muuttuu leikkaamisen aikana, se aiheuttaa terän juuttumista ja takaiskua.
- 7) **Noudata erityistä varovaisuutta, kun suoritat "pakettileikkauksia" seinäpintoihin tai muihin aukottomiin alueisiin.**  
Esiin työntyvä terä saattaa leikata kohteita, jotka voivat aiheuttaa takaiskun.

## Turvallisuusohjeita tälle sahalle

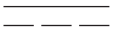


- 1) **Tarkista, että alempi suoja on sulkeutunut asianmukaisesti ennen kutakin käyttökertaa. Älä käytä sahaa, jos alempi suoja ei liiku vapaasti ja sulkeudu nopeasti. Älä koskaan kiristä tai sido alemmaa suojaa avoimeen asentoon.**

Jos saha putoaa vahingossa lattialle, alempi suoja saattaa taipua. Nosta alempi suoja sisäänvetäytyvällä kahvalla ja varmista, että se liikkuu vapaasti eikä kosketa terää tai mitään muuta osaa missään kulmissa tai millään leikkaussyvyyksillä.

- 2) Tarkista alemman suojan jousen toiminta. Jos suoja tai jousi ei toimi asianmukaisesti, ne pitää huoltaa ennen käyttöä. Alempi suoja saattaa toimia hitaasti, jos jokin osa on vaurioitunut tai jos siihen on tarttunut kumia tai kerääntynyt roskaa.
- 3) Alempi suoja pitää vetää sisään käsin vain erityisleikkauksissa, kuten "pakettileikkauksissa" ja "yhdistelmäleikkauksissa". Nosta alempi suoja sisäänvetäytävällä kahvalla. Alempi suoja pitää vapauttaa heti, kun terä koskettaa materiaalia. Kaikissa muissa sahauskissa alemman suojan pitää toimia automaattisesti.
- 4) Varmista aina, että alempi suoja peittää terän, ennen kuin asetat sahan penkille tai lattialle. Suojaamaton ja tyhjäkäynnillä pyörivä terä saa sahan kulkemaan taaksepäin ja leikkaamaan kaikkea, mitä sen kulkureitillä on. Ota huomioon, että terä pyörii vielä hetken sen jälkeen, kun kytkin on vapautettu.
- 5) Älä käytä hankaavia laikkoja.
- 6) Käytä pölysuojaa, jos työstä syntyy pölyä.
- 7) Käytä valmistajan suosittelemia sahanteriä.
- 8) Käytä kuulosuojaa, kun työkalua käytetään pitkiä aikoja.
- 9) Takaiskun riski kasvaa, kun akku tyhjenee.
- 10) Muista tarkistaa materiaali. Vältä erilaiseen materiaaliin osumista.
- 11) Älä pudota työkalua.
- 12) Älä heiluta työkalua.
- 13) Älä peitä tuuletusaukkoja äläkä päästä niihin pölyä tai mitään muutakaan.
- 14) Älä kiinnitä leikkuria ruuvipenkkiin. Älä koskaan sahaa ruuvipenkkiin kiinnitetyllä ylösalaisin olevalla työkalulla. Se on erittäin vaarallista ja voi aiheuttaa vakavan onnettomuuden.
- 15) Älä koskaan käytä neulekäsineitä.
- 16) Varmista, ettei kukaan liiku alla sahatessasi työkalulla korkealla.
- 17) Älä koske terään välittömästi sahaamisen jälkeen, terä saattaa olla polttavan kuuma.
- 18) Älä kosketa leikattua materiaalia heti leikkauksen jälkeen. Materiaali saattaa olla kuuma.
- 19) Älä käytä leikkausöljyä. Leikkausöljyn käyttö saattaa aiheuttaa tulipalon.
- 20) Älä leikkaa työstökappaleita, joiden pinnalla on kaasua, liottimia, tinneriä tms. Altistuminen tällaisille aineille saattaa vahingoittaa läpinäkyvää suojaa.

- 21) Älä irrota läpinäkyvää ja alempaa suojaa. Jos läpinäkyvä tai alempi suoja on vahingoittunut tai jos ne puuttuvat, vie työkalu valtuutettuun huoltamoon vaihtoa varten.
- 22) Älä käynnistä terää, kun se on kiinni materiaalisissa. Odota, kunnes terä on saavuttanut täyden nopeuden ennen kuin aloitat leikkauksen.

## Merkki

Merkki	Tarkoitus
V	Volttia
	Tasavirta
$n_0$	Ei kuormitusnopeutta
$\dots \text{min}^{-1}$	Kierrosta tai vuoroliikettä
A	Ampeeria
	Loukkaantumisvaaran estämiseksi käyttäjän on luettava käyttöohje ja ymmärrettävä se.
	Vain sisäkäyttöön.

### VAROITUS

- Älä käytä muita kuin Panasonic-akkuja, jotka on suunniteltu tämän ladattavan työkalun käyttöön.
- Panasonic ei ole vastuussa vahingoista tai onnettomuuksista, jotka aiheutuvat kierätetyn tai väärennetyn akun käytöstä.
- Älä hävitä akkua polttamalla äläkä saata sitä alttiiksi kuumuudelle.
- Älä kiinnitä akkuun nauloja, älä kolhi, pura sitä äläkä yritä muuttaa sen rakennetta.
- Älä anna metalliesineiden koskettaa akkuliitimiä.
- Älä kanna äläkä säilytä akkua paikassa, jossa on nauloja tai muita metalliesineitä.
- Älä lataa akkua kuumassa paikassa kuten avotulen lähellä tai auringonpaisteessa. Akku saattaa kuumentua liikaa, sytyä palamaan tai räjähtää.

- Lataa akku aina sen omalla laturilla. Muulla laturilla lataaminen saattaa aiheuttaa akun vuotamista, ylikuumentumista tai akun räjähtämisen.
- Kun akku on irrotettu työkalusta tai laturista, pane aina akun kansi paikalleen. Muuten akun liittimet saattavat mennä oikosulkuun, jolloin seurauksena on tulipalovaara.
- Kun akku on heikentynyt, vaihda se uuteen. Vahingoittuneen akun käytön jatkaminen saattaa aiheuttaa kuumuutta, tulen syttymisen tai akun halkeamisen.

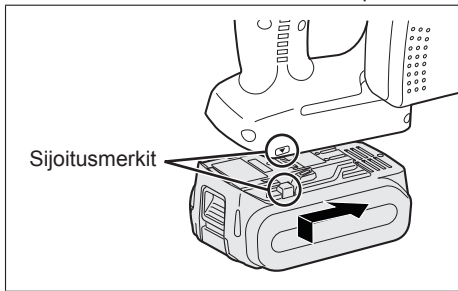
### III. KOKOAMINEN

#### Akun asettaminen tai poistaminen

##### TÄRKEÄ HUOMAUTUS:

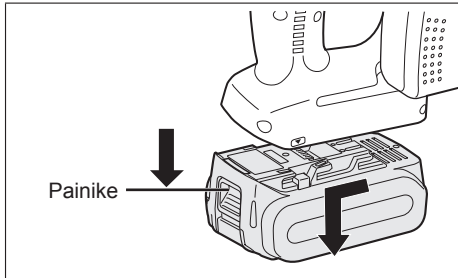
Ennen kuin laitat akun laitteen sisään, varmista että työkalun käyttökylki toimii asianmukaisesti ja palaa "OFF" asentoon vapautettaessa.

1. Akun asettaminen paikalleen (Katso kuvaa 2)  
Aseta korostetut kohdistuspisteet kohdakain ja kiinnitä akku.
  - Siirrä akkua kunnes se lukkiutuu paikalleen.



Kuva 2

2. Akun poistaminen (Katso kuvaa 3)  
Paina painike alas ja liu'uta akkua eteenpäin.



Kuva 3

### IV. KÄYTTÖ

#### Ennen työkalun käyttämistä

Tämä työkalu on tarkoitettu karkaisemattoman rautapitoisen ja raudattoman metallin, puun ja muovin sahaamiseen. Katso luvusta "Varusteet" lista teristä, joita tulee käyttää tämän työkalun varusteiden kanssa. Seuraavia varotoimia on noudatettava vahingoittumisvaaran estämiseksi.

- Älä sahaa päällekkäin asetettuja materiaaleja. Sahaa yksi kerrallaan.
- Älä sahaa karkaistua terästä.
- Leikkaa materiaalia niin, että pöydän leveämpi reuna on materiaalin kiinnitetyn reunan päällä.
- Älä kosketa sahan terää, työstökappaletta tai leikkaussiruja paljain käsin heti sahauksen jälkeen: ne saattavat olla kuumia ja polttaa ihoa.

Aina, kun leikkuria käytetään, on varmistuttava siitä että se on hyvässä toimintakunnossa.

Käytä seuraavaa tarkistuslistaa:

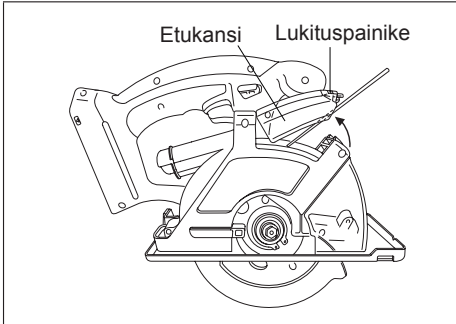
1. Onko terä asennettu oikein päin?  
Terässä olevan nuolen pitää osoittaa samaan suuntaan kuin ylemmässä teräsuojassa olevan nuolen.
2. Onko terä asennettu oikein?  
Varmista, että kuusioruuvi on kiristetty tiukasti. (Katso kuvaa 6.)
3. Näyttääkö terä olevan kunnossa?  
Vaihda terä välittömästi, jos siinä on halkeamia tai jos terän hampaita on poikki.
4. Sulkeutuuko alempi teräsuoja asianmukaisesti?

##### VAROITUS

Älä käytä sahaa, jos alempi teräsuoja ei sulkeudu nopeasti terän päälle. Muuten se saattaa aiheuttaa vammoja.

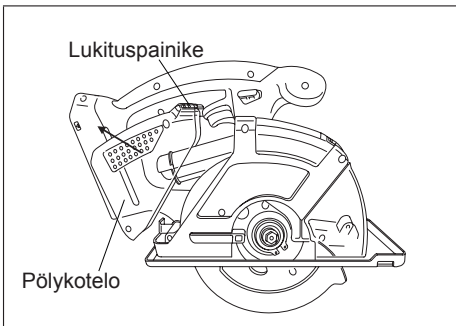
5. Onko läpinäkyvä suoja asennettu hyvin?
6. Onko akku ladattu ja laitettu kunnolla paikalleen työkaluun?
7. Onko leikkauksen syvyyden säätövipu kiristetty tiukasti?
8. Onko työstökappale kiinnitetty tiukasti esim. ruuvipenkkiin?
9. Ovatko pölykotelo tai etukansi pölyn tukkimat?
10. Käytä vain sellaista terää, jonka pyörimisnopeuden nimellisarvo on pääyksikön pyörimisnopeutta suurempi.  
Terä saattaa vahingoittua, jos sitä käytetään pääyksikön pyörimisnopeuden nimellisarvoa pienemmällä pyörimisnopeudella.

Vapauta etukannen lukituspainike ja puhdista pois kannen sisään kertynyt pöly. Jos kansi on tukkeutunut, puhdista se jollakin pitkällä esineellä kuten esimerkiksi ruuviavaimella. Sulje etukansi puhdistamisen jälkeen. (Katso kuvaa 4)



Kuva 4

Jos pölykotelossa on pölyä, vapauta pölykotelon lukituspainike, irrota pölykotelo ja puhdista pöly pois. Kiinnitä pölykotelo sitten takaisin paikalleen. (Katso kuvaa 5)



Kuva 5

## Terän asentaminen

### Noudata näitä ohjeita:

- Poista akku työkalusta.
- Poista mahdolliset roskat terän alueelta.
- Vedä alempi suoja sisään (avaa se) kääntämällä vipua.
- Asenna terä yllä olevan kuvan osoittamalla tavalla. (Katso kuvaa 6)  
Varmista, että sekä terässä oleva suuntanuoli että läpinäkyvässä suojuksessa oleva nuoli osoittavat samaan suuntaan.
- Aseta ulompi aluslaatta paikalleen.
- Laita kuusiopultti paikalleen.
- Pidä karan lukituspainike alhaalla. Tämä estää terää pyörimästä.

- Kiristä kuusiopultti tiukasti laitteen mukana toimitetulla kuusioavaimella. Pidä kuusioavain tallessa.

### HUOMAUTUS:

Pidä kuusioavain leikkurin rungon säilytyslokeroissa, kun et käytä sitä.

### ⚠VAROITUS

Pidä kuusioavain leikkurin rungon säilytyslokeroissa, kun et käytä sitä.

## Terän irrottaminen

### TÄRKEÄ HUOMAUTUS:

Terä on kuuma heti leikkauksen jälkeen. Muista antaa terän jäähtyä ennen sen poistamista.

### Noudata näitä ohjeita:

- Poista akku työkalusta.
- Pidä karan lukituspainike alhaalla. Tämä estää terää pyörimästä.
- Löysää kuusiopulttia laitteen mukana toimitetulla kuusioavaimella.

### HUOMAUTUS:

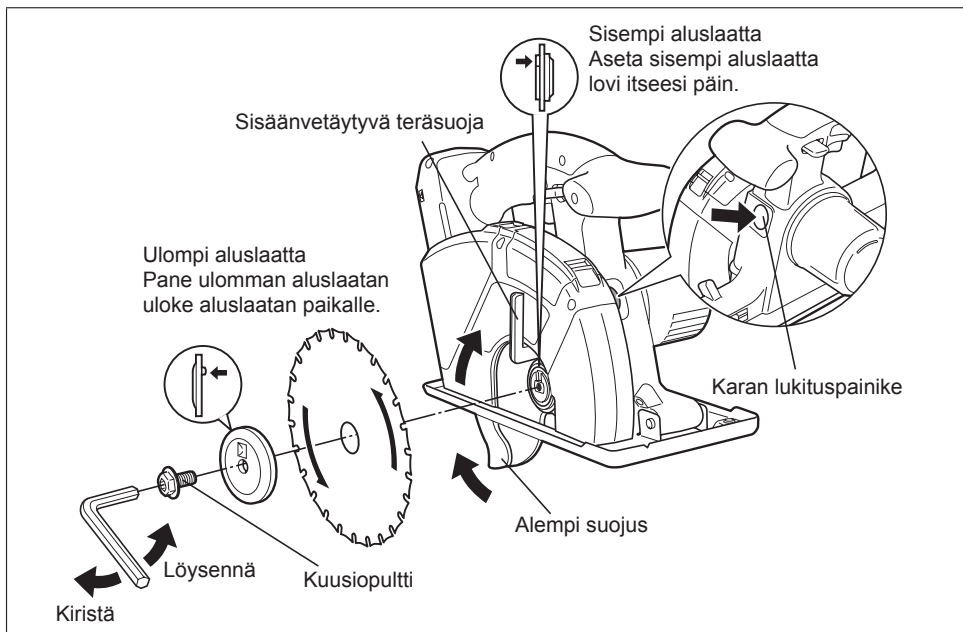
Säilytä kuusioavainta leikkurin rungon säilytyslokeroissa, kun et käytä sitä.

- Poista kuusiopultti ja ulompi aluslaatta.
- Vedä alempi teräsuoja sisään (avaa se) kääntämällä vipua.
- Poista terä varovasti.
- Puhdista työkalu tarvittaessa.

### TÄRKEÄ HUOMAUTUS:

Varo, ettet leikkaa käsiäsi terään.

- Kun hävität terän, sulje se paksuun paperiin tai aaltopahviin. Siten estetään ulkopuolisten henkilöiden loukkaantuminen hylättyyn terään.



Kuva 6

## Työkalun käyttäminen

### TÄRKEÄ HUOMAUTUS:

Vahingoittumisvaaran välttämiseksi lue ennen työkalun käyttöä turvaohjeet tämän käyttöohjeen alusta.

#### VAROITUS

Vahingoittumisvaaran välttämiseksi käytä turvalaseja, joissa on sivusuojat, kun käytät sahaa. Käytä myös kasvosuojusta, jos sahaat materiaalia, josta lähtee sahatessa paljon pientä ainesta. Älä käytä sahaa sateessa. Siitä saattaa aiheutua sähköisku tai saha saattaa vahingoittaa.

Älä sahaa materiaalia, jonka pinnalla on maalitinneriä, polttoainetta, öljyä tms. Pölykotelo saattaa haljeta ja aiheuttaa vamman.

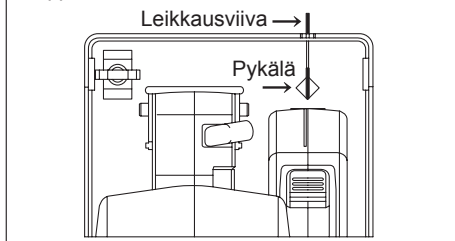
### Noudata seuraavia vaihteita:

Pidä sahasta kiinni molemmin käsin. (Katso kuvaa 8) Älä yritä irrottaa sahattua materiaalia terän liikeyssä.

1. Aseta pöydän opasviiva leikkausviivalle. (Katso kuvaa 7)

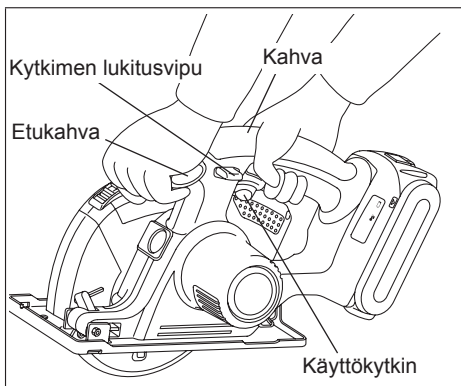
## Sovittaminen leikkausviivalle

- Aseta pöydän pykälä leikkausviivalle kohdistamalla neliönmuotoisen aukeaman ylä- ja alakulma viivalle. Koska leikkausasento saattaa vaihdella terästä riippuen, tee ensin koeleikkaus.



Kuva 7

2. Paina käyttökytkimen lukitusvipu alas, käynnistä moottori käyttökytkintä puristamalla ja vapauta sitten käyttökytkimen lukitusvipu.



Kuva 8

### TÄRKEÄ HUOMAUTUS:

- Tarkista että käyttökytkimen lukitusvipu toimii. Jos käyttökytkin painuu ilman että lukitusvipua painetaan, lopeta käyttö välittömästi. Vie työkalu valtuutettuun korjaamoon.
  - Pidä aina toisella kädellä kädensijasta ja toisella etukahvasta. (Katso kuvaa 8) Säilytä tukeva ote ja paina käyttökytkin kokonaan alas.
  - Terä ei saa koskettaa leikattavaa materiaalia ennen kuin käynnistät moottorin. Odota että terä saavuttaa täyden pyörimisnopeuden ennen leikkaamisen aloittamista.
  - Tässä työkalussa ei ole mahdollista lukita virtakytintä asentoon "ON" eikä sitä pidä yrittää kiinnittää asentoon "ON".
3. Aloita sahaaminen, kun terä on saavuttanut täyden nopeuden.

### TÄRKEÄ HUOMAUTUS:

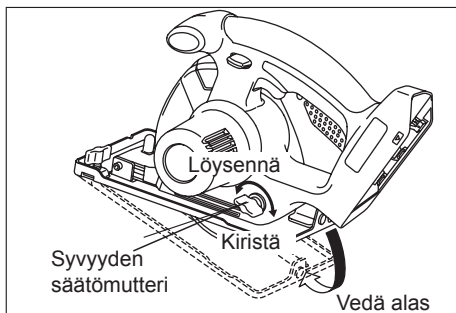
- Reaktion estämiseksi terä alkaa käytön alussa pyöriä alennetulla nopeudella. (Pehmeä aloitus)
4. Säilytä sahaamisen aikana suora leikkauslinja. Liikuta sahaa eteen vakaalla nopeudella katsoen terän kärkeä läpinäkyvän suojan läpi.

### ⚠VAROITUS

- Vaarallisen takaiskun estämiseksi pidä sahan pöytä tasaisesti leikattavan materiaalin päällä.
  - Älä koskaan käytä liikaa voimaa. Käytä jatkuvaa ja kevyttä painallusta.
5. Jos moottori alkaa tuntua liian lämpimältä, lopeta sahaaminen. Anna työkalun jäähtyä ennen työn jatkamista.
6. Turvallisuuden kannalta on hyvä aina irrottaa akku kun sahaa ei enää käytetä ja varastoinnin ajaksi.

## Sahaussyvyyden säätö

- Irrota akku.
- Löysää syvyyden säätövipua ja säädä sahaussyvyys käyttämällä alemman suojan asteikkoja syvyyden mittaamiseen. Kun syvyys on säädetty, kiristä syvyyden säätömutteri tiukasti.
- \* Kun puumateriaalin paksuus on 10 mm (3/8") tai sen alle, säädä sahaussyvyys niin, että terä pistää esiin noin 5 mm (3/16") materiaalin pohjasta.



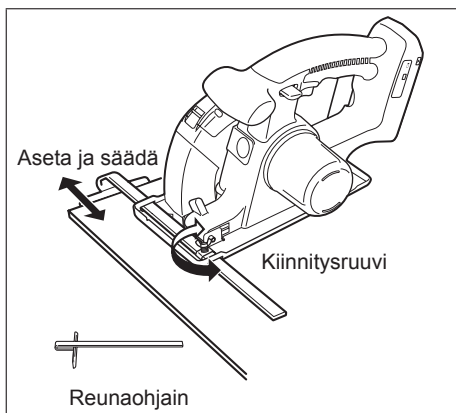
Kuva 9

## Reunaohjain (EY3500B7727)

(Saatavana lisävarusteena, ei mukana)

Reunaohjain on kätevä kun tehdään samansuuntaisia sahausia tai kun sahataan useita samanmuotoisia kappaleita.

- Irrota akku.
- Aseta reunaohjain ja säädä sahaussyvyys. (Katso kuvaa 10)
- Kiinnitä reunaohjain kiinnittämällä ruuvi tiukasti.



Kuva 10

## Pölyn kerääminen

### ⚠VAROITUS

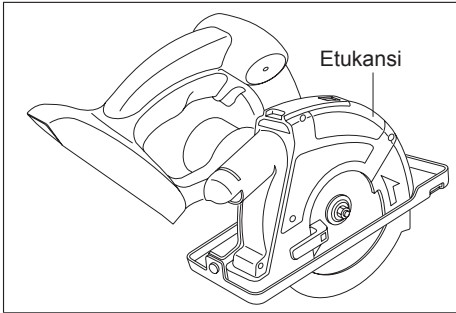
- \* Ennen kuin sahaat materiaalia, tyhjennä aina pölykotello, avaa etukansi ja poista pöly.
  - Sahan käyttäminen metallin leikkaamiseen niin, että pölykotelossa on herkästi syttyviä aineita, saattaa aiheuttaa tulipalon.
- \* Kun sahaat metallia, pidä aina pölykotello kiinnitettynä.
  - Lentävät kipinät ja sirut saattavat aiheuttaa vammoja.
- \* Kun sahaat metallia, älä kiinnitä pölynimuria. Kipinät ja kuumat metallisirut saattavat sytyttää pölynimurin tuleen. Käytä pölynimuria sen ohjeiden mukaisesti.

### (1) Kerää pöly pölykoteloon.

- \* Tyhjennä pölykotello, kun se on täynnä.
- \* Tyhjennä pölykotello ennen kuin panet leikkurin säilöön.
- \* Pölykotelon kapasiteetti
  - Leikattaessa sähköjohtoa, jonka halkaisija on 25 mm (1"), noin 130 leikkausta
  - Leikattaessa 45 mm (1-25/32") x 45 mm (1-25/32") puutavaraa, noin 150 leikkausta

### HUOMAUTUS:

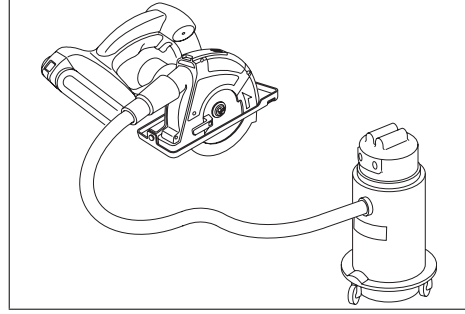
Tietyt materiaalit aiheuttavat pölyn tukkeutumisen etukannen sisälle, kun materiaalia leikataan.



Kuva 11

### (2) Pölyn kerääminen käyttämällä laitetta pölynimurin kanssa.

- \* Liitä letku imuriliitäntään käyttämällä EY9X012E pölynimurin sovitinta (myydään erikseen)  
Sopiva letkun sisähalkaisija: 25 mm (1") - 38 mm (1-2/1")
- \* Käytä pölynimuria sen ohjeiden mukaisesti.

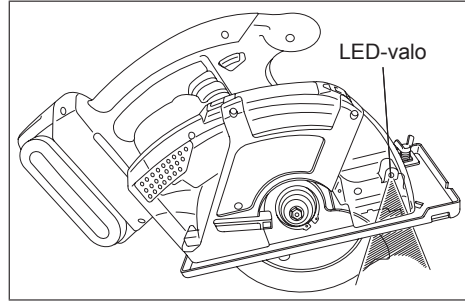


Kuva 12

### HUOMAUTUS:

Kun pölynimuri ei ime pölyä, pölyaukko saattaa olla pölyn tukkima, avaa etukansi ja puhdistaa pöly.

## LED-valo



Kuva 13

LED-valo syttyy, kun virtakytkin painetaan alas ja sammuu, kun virtakytkin vapautetaan.

- Tämä valo palaa hyvin alhaisella jännitteellä eikä se heikennä työkalun toimintaa käytön aikana eikä vaikuta sen akkukapasiteettiin.

### TÄRKEÄ HUOMAUTUS:

- Yhdysrakenteinen LED-valo on tarkoitettu valaisemaan pienen työskentelyalueen tilapäisesti.
- Sitä ei tule käyttää korvaamaan tavallista käsivalaisinta, sillä se ei ole riittävän kirkas.

### Tärkeä huomautus : ÄLÄ KATSO SÄTEESEEN.

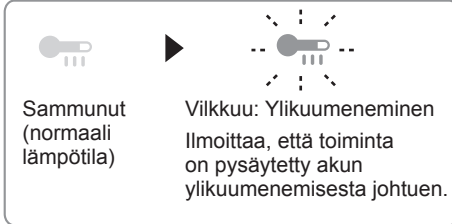
Muiden kuin näissä ohjeissa kuvattujen säätimien tai säätöjen käyttö tai toimenpiteiden tekeminen saattaa altistaa käyttäjän vaaralliselle säteilylle.

## Säätöpaneeli



(1) (2) (3)

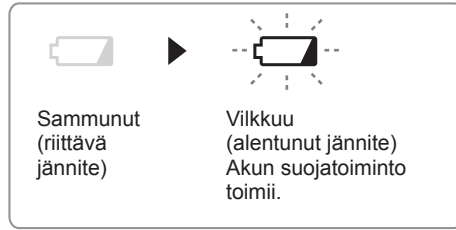
### (1) Ylikuumentumisen varoituslamppu



Ylikuumentumisen suojaus toiminto pysäyttää työkalun toiminnan akun suojaamiseksi ylikuumentumisen sattuessa. Ylikuumentumisen varoituslamppu vilkkuu säätöpaneelissa, kun tämä toiminto on käynnistynyt.

- Jos ylikuumentumisen suojaus toiminto on käynnistynyt, anna akun jäähtyä kunnolla (ainakin 30 minuuttia). Työkalu on käyttövalmis, kun ylikuumentumisen varoituslamppu sammuu.
- Vältä työkalun käyttöä tavalla, joka aiheuttaa ylikuumentumisen suojaus toiminnon käynnistymisen toistuvasti.
- Jos työkalua käytetään kylmässä ympäristössä (kuten talvella) tai jos se pysäytetään usein käytön aikana, ylikuumentumisen suojaus toiminto ei kenties käynnisty.  
EY9L42-laitteen toimintakyky heikkenee huomattavasti alle 10 °C:n lämpötiloissa työskentelyolosuhteiden ja muiden syiden takia.
- Suositeltava käyttöympäristö: 0 °C –40 °C.  
Jos akkua käytetään huomattavasti alle 0 °C lämpötilassa, laitteessa saattaa ilmetä toimintahäiriöitä.
- Kun kylmää akkua (alle 0 °C (32 °F)) ladataan lämpimässä paikassa, on hyvä antaa akun lämmetä ennen latausta.

### (3) Alhaisen akkujännitteen varoituslamppu



Liiallinen (täydellinen) litiumioniakun purkautuminen lyhentää akun käyttöikää huomattavasti. Tässä työkalussa on akun suojaus toiminto, jotta akun liiallinen tyhjeneminen saataisiin estetyksi.

- Akun suojaus toiminto käynnistyy välittömästi ennen kuin akku purkautuu, ja alhaisen akkujännitteen varoitusvalo alkaa vilkkua.
- Jos huomaat, että alhaisen akkujännitteen merkivalo vilkkuu, lataa akku välittömästi.
- Jos työkalu on käynnistetty liian matalalla akun varaustasolla, työkalun toiminta voi keskeytyä ilman, että akun matalan varaustason varoituslamppu vilkkuu ensin. Tämä osoittaa, että akun varaustaso on liian matala työkalun käyttöön, ja akkupakkaus tulisi ladata ennen kuin käyttöä jatketaan.
- Jos työkaluun kohdistuu äkillinen kuorma käytön aikana, joka aiheuttaa moottorin lukittumisen, syväpurkautumisen estoanturi voi lauaeta, ja akun matalan varaustason lamppu vilkkuu. Lampun vilkkuminen loppuu heti, kun moottorin lukittumisen syyhyin puututaan ja liipaisin palautetaan.

#### VAROITUS:

Akun ylipurkautumisen suojaus toiminto toimii, vaikka sekä alhaisen akkutehon varoituslamppu että LED-valo vilkkuvat.

- Lataa akku heti, kun akun teho on käymässä vähiin.
- Kun lataat viileää akkupatteria (alle 0 °C (32 °F)) lämpimässä paikassa, anna akkupatterin lämmetä latauspaikassa yli tunti, jotta akku lämpiää ympäristön lämpöiseksi.
- Laske moottorin kuormitusta ja sammuta laite, kun akun jännite putoaa nopeasti moottorin ylikuormituksen vuoksi. Älä suorita toimintoja, jotka toistuvasti aktivoivat akun ylipurkautumisen suojaus toiminnon.



## Oikea käyttö (lisää yksityiskohtia)

### ⚠VAROITUS

Vakavien tapaturmien estämiseksi:

● On tärkeää käyttää asianmukaista laitetta sahattavan materiaalin pitämiseen paikallaan sekä pitää kiinni laitteesta tiukasti molemmilla käsillä. Muutoin käyttäjä saattaa menettää laitteen hallinnan, joka voi johtaa tapaturmaan.

- Kuvassa 14 esitetään oikea käyttöasento.
- Muista pitää kätesi poissa sahausalueelta.
- Katso että työskentelyalueella tai työstökappaleen alla ei ole asiaankuulumattomia henkilöitä.
- Kun sahaat, älä yritä pitää materiaalia kädessäsi.

### Suurien kappaleiden sahaaminen:

Tue suuret kappaleet. Säädä sahausvyvyys niin, että sahaat ainoastaan työstökappaleen läpi, ei tukien läpi. (Katso kuvaa 15.)

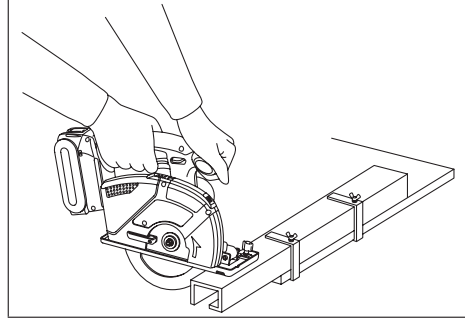
Suuret kappaleet taittuvat ellei niitä tueta oikein. Jos työstökappaletta yritetään sahata asettamatta sitä tasaisesti tai tukematta sitä, terä saattaa taittua, mistä aiheutuu takaiskuja. (Katso kuvaa 16.)

- Älä tue materiaalia kaukaa sahauskohdasta.

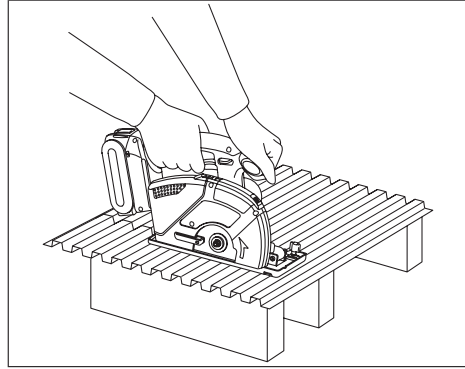
### Ohuiden tai poimutettujen materiaalien sahaaminen:

Sahaa ohuet ja poimutetut materiaalit ainakin 25 mm (1") työstökappaleen reunasta, jotta ylempään suojukseen pääsevät ohuet metallisirut eivät pääse vahingoittamaan työkalua.

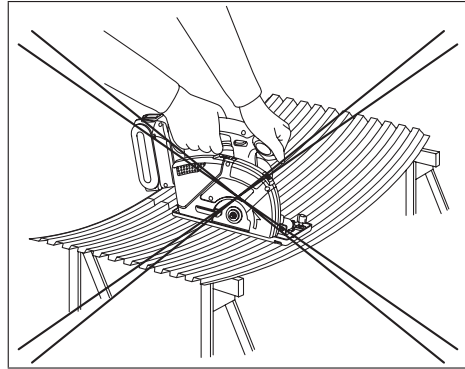
- Käytä vain teräviä teriä. Puhtaat ja terävät terät minimoivat laitteen pysähtelyn ja takaiskun.



Kuva 14



Kuva 15



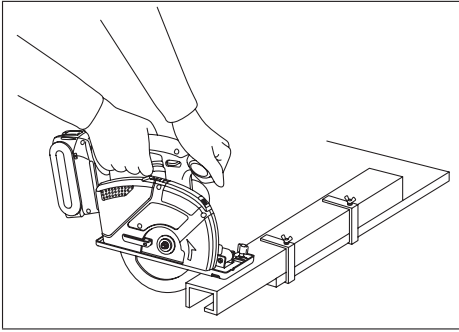
Kuva 16

### **VAROITUS**

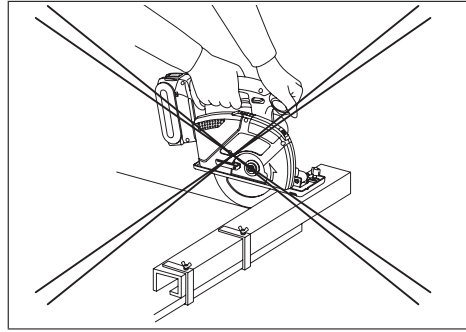
Vakavien tapaturmien estämiseksi:

- Jos teet vaillinaisen sahauksen tai sahaaminen keskeytyy, tai jos terä tarttuu kiinni tai saha pysähtele; vapauta käyttökytkin välittömästi ja pidä sahaa liikkumatta materiaalissa, kunnes terä pysähtyy täysin.
- Takaiskun välttämiseksi, älä koskaan yritä poistaa sahaa työstökappaleesta tai vetää sahaa taaksepäin, terän ollessa liikkeessä. Varmista, että terä on pysähtynyt täysin ja poista saha sitten leikkauksesta.
- Kun haluat jatkaa sahaamista, käynnistä saha, anna terän saavuttaa täysi nopeus, laita saha sahauskohtaan hitaasti ja jatka sahaamista.

1. Aseta pöydän leveämpi osa tukevasti tuetulle työstökappaleen osalle (katso kuvaa 17), ei koskaan sille osalle, joka putoaa pois sahattaessa. (Katso kuvaa 18)  
Pidä tiukasti kiinni sahasta, jotta et menetä sen hallintaa. Huolimaton työskentely saattaa aiheuttaa vakavia henkilövahinkoja.



Kuva 17



Kuva 18

2. Varmista, että terä pysähtyy.  
Vaikka työkalussa onkin jarru, ennen kuin asetat sahan alas, varmista että terä on pysähtynyt täysin ja että alempi suoja on sulkeutunut.
3. Älä käytä laitetta, jos se vaikuttaa jotenkin epätavalliselta. Poista akku välittömästi.  
Jos työkalun runko kuumenee hyvin voimakkaasti tai jos laite ei toimi asianmukaisesti, poista akku äläkä käytä laitetta. Vie se tarkistettavaksi valtuutettuun huoltoliikkeeseen.

### **VAROITUS**

Vakavien tapaturmien estämiseksi työkalua ei saa yrittää korjata itse. Työkalua ei saa purkaa erillisiin osiin eikä sen rakennetta saa muuttaa. Sisällä ei ole käyttäjän huollettavissa olevia osia.

4. ÄLÄ KOSKAAN PÄÄSTÄ SAHA KOSKETTAMAAN VARTALOASI.  
Kun olet saanut sahauksen valmiiksi, älä päästä sahaa koskettamaan jalkaasi tai kylkeäsi vasten. Koska alempi suoja tulee ulos laitteesta, se saattaa tarttua vaatteisiisi ja paljastaa terän. Pidä vaatteet poissa sahan ulottuvilta. Muista, että sekä ylemmän että alemman terän alueilla on paljaana olevia teräalueita.

### **VAROITUS**

Koska metallin leikkaaminen aiheuttaa kipinöitä;

- Käytä aina suojalaseja.
- Älä käytä sahaa syttyvien aineiden lähistöllä tai alueella, missä käytetään syttyviä aineita. Se saattaa johtaa tulipaloon ja palovammoihin.

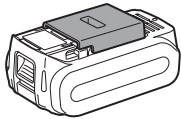
5. Älä koskaan kytke karalukkoa terän pyöriessä äläkä yritä pysäyttää työkalua. Älä koskaan paina käyttökytkintä karalukon ollessa kytkettynä. Laite saattaa tällöin vahingoittua.

## [Akku]

### Akun oikea käyttö

#### Li-ioniakku

- Jotta li-ioniakku kestää mahdollisimman pitkään, pane se säilöön käytön jälkeen lataamatta sitä.
- Kun akku ladataan, varmista, että akkulaturin liittimissä ei ole vieraita aineita kuten pölyä tai vettä. Jos liittimistä löytyy vieraita aineita, puhdista liittimet ennen akun lataamista. Akkuliittimissä käytön aikana olevat vieraat aineet kuten pöly ja vesi saattavat heikentää akun käyttöikää.
- Kun akkua ei käytetä, pidä se poissa metalliesineiden kuten paperiliittimien, kolikoiden, avainten, naulojen, ruuvien tai muiden pienten metalliesineiden lähetyviltä, jotka saattavat aiheuttaa kontaktin liittimestä toiseen. Akkuliittimien saattaminen oikosulkuun saattaa aiheuttaa kipinöitä, palovammoja tai tulipalon.
- Kun käytät akkua, varmista, että työskentelypaikassa on hyvä ilmanvaihto.
- Kun akku otetaan pois työkalusta, pane akun liitinsuoja heti kiinni, jotta akkuliittimiin ei pääse pölyä tai likaa eikä synny oikosulku.



#### Akun kestoikä

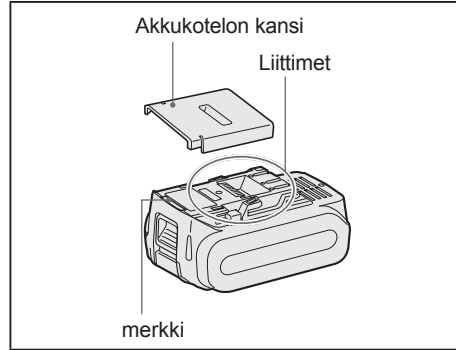
Ladattavien akkujen käyttöaika on rajoitettu. Jos käyttöaika on erittäin lyhyt kunnollisen latauksen jälkeen, vaihda akku uuteen.

#### Akun kierrätys

##### HUOMIO:

Ympäristön suojelemiseksi ja materiaalien kierrättämiseksi akku on vietävä hävitettäväksi erityiseen keräyspisteeseen, jos sellainen on olemassa.

### Käyttösuositukset



#### Käytä aina akkukantta

- Kun akkua ei käytetä, pane akku säilöön niin, että vieraat aineet kuten pöly, vesi jne. eivät likaa liittimiä. Muista panna akkukansi paikalleen suojaamaan akkuliittimiä.
- Kun akku ladataan, varmista, että akkulaturin liittimissä ei ole vieraita aineita kuten pölyä tai vettä. Jos liittimistä löytyy vieraita aineita, puhdista liittimet ennen akun lataamista. Akkuliittimissä käytön aikana olevat vieraat aineet kuten pöly ja vesi saattavat heikentää akun käyttöikää.

#### △ TÄRKEÄ HUOMAUTUS:

Moottorin tai akun suojaamiseksi ota huomioon seuraavat seikat, kun suoritat toimenpidettä.

- Jos ja kuumenevat, suojaus toiminto aktivoituu, ja akku lakkaavat toimimasta. Ylikuumentumisen varoituslamppu merkkivalopaneelissa syttyy tai vilkkuu, kun tämä toiminto on käytössä.

#### Turvallisen käytön takaamiseksi

- Akku on suunniteltu asennettavaksi kahden turvallisuutta koskevan toimenpiteen jälkeen. Varmista ennen käyttöä, että akku on asennettu kunnolla pääyksikköön.
- Jos akkua ei ole asennettu kunnolla, kun laite käynnistetään, ylikuumentumisen varoituslamppu ja akun alhaisen varaustason varoituslamppu vilkkuvat osoittaakseen, että turvallinen käyttö ei ole mahdollista, ja pääyksikkö ei pyöri tavalliseen tapaan. Asenna akku työkalun yksikköön niin, että punainen tai keltainen merkki katoaa näkyvistä.

# [Akkulaturi]

## Lataus

### TÄRKEÄ HUOMAUTUS:

- Laturi on suunniteltu käytettäväksi vain arvokilven mukaisella normaalilla kodin verkkovirralla. Lataa vain laitteen arvokilvessä ilmoitetulla jännitteellä, esim. 230 V / 50 Hz.
- Älä yritä käyttää laturia millään muulla jännitteellä tai taajuudella!
- Jos akun lämpötila laskee alle  $-10\text{ }^{\circ}\text{C}$  ( $14\text{ }^{\circ}\text{F}$ ), lataus loppuu automaattisesti, jotta saadaan estettyä akun heikkeneminen.
- Älä lataa akkua, jonka lämpötila on alle  $0\text{ }^{\circ}\text{C}$  ( $32\text{ }^{\circ}\text{F}$ ).
- Kun kylmää akkua (alle  $0\text{ }^{\circ}\text{C}$  ( $32\text{ }^{\circ}\text{F}$ )) ladataan lämpimässä paikassa, on hyvä antaa akun lämmetä ennen latausta.
- Anna laturin jäähtyä ladatessasi kahta tai useampaa akkua peräkkäin.
- Älä missään tapauksessa työnnä sormiasi latauspesään.

### ⚠ TÄRKEÄ HUOMAUTUS:

Tulipalovaaran ja akkulaturin vahingoittumisen estämiseksi:

- Älä peitä laturin tai akkuyksikön tuuletusaukoja.
- Irrota laturi verkosta, kun sitä ei käytetä.

#### **HUOMAUTUS:**

Akkua ei ole ladattu kokonaan tehtaalla. Akku on ladattava ennen käyttöä.

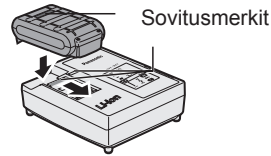
### Latausohjeet

1. Kytke laturin pistoke vaihtovirtaverkon pistoraasiaan.

#### **HUOMAUTUS:**

Kipinöitä saattaa syntyä, kun pistoke kytketään virtalähteeseen, mutta tämä ei ole vaarallista.

2. Aseta akkupakkaus kunnolla laturiin.
  - 1 Aseta sovitusmerkit vastakkain ja aseta akku laturin liittimeen.
  - 2 Siirrä eteenpäin nuolen osoittamaan suuntaan.

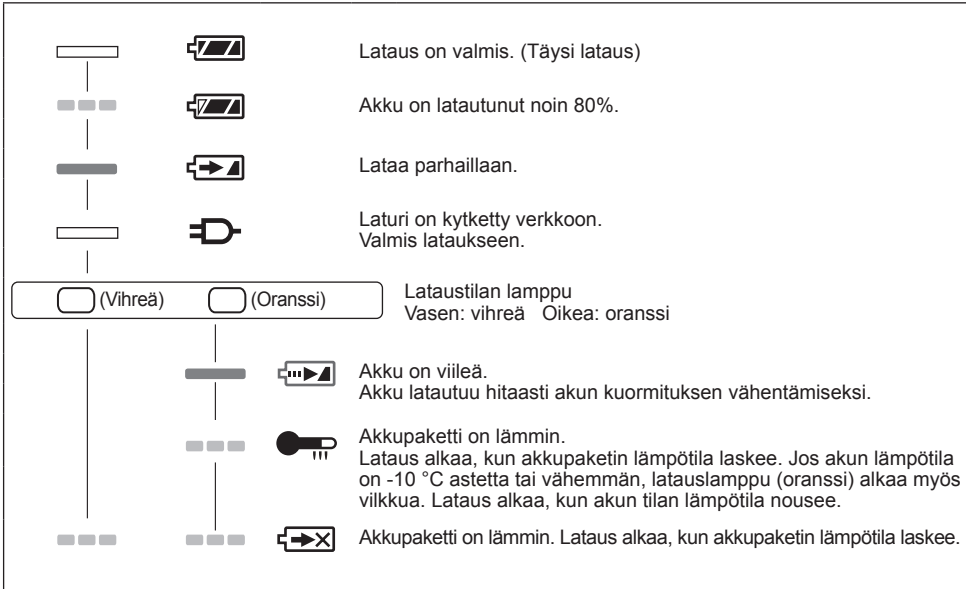


3. Latauksen merkkivalo palaa latauksen aikana.

Kun akku on ladattu, latauksen merkkivalo alkaa vilkkua nopeasti ja laitteen sisäänrakennettu kytkin katkaisee latauksen automaattisesti estäen yllilatautumisen.

  - Latausta ei tapahdu, jos akku on liian lämmin. Oranssi valmiusvalo syttyy ja palaa siihen asti, kunnes akku jäähtyy. Oranssi valmiustilan lamppu vilkkuu, kunnes akku on jäähtynyt. Lataus alkaa sitten automaattisesti.
4. Latauslamppu (vihreä) vilkkuu hitaasti, kun akku on latautunut noin 80%.
5. Kun lataus on suoritettu loppuun, vihreä latauslamppu sammuu.
6. Jos lämpötila on  $0^{\circ}\text{C}$  astetta tai sitä vähemmän, täyteen lataus kestää tavallista kauemmin. Vaikka akku on ladattu täyteen, sen teho on noin 50% tavallisessa lämpötilassa ladattuun täyteen akkuun verrattuna.
7. Ota yhteys valtuutettuun jälleenmyyjään, jos latauslamppu (vihreä) ei sammuu.
8. Jos kokonaan ladattu akku asetetaan uudelleen laturiin, latauslamppu saattaa syttyä palamaan. Muutaman minuutin kuluttua vihreä latauslamppu sammuu.

## Lampun merkinnät



Sammuu

Palaa

Vilkkuu

## Tietoja vanhojen laitteiden ja käytettyjen paristojen keräyksestä ja hävittämisestä



Nämä merkinnät tuotteissa, pakkauksissa ja/tai niihin liitetyissä dokumenteissa tarkoittavat, että käytettyjä sähkö- ja elektroniikkalaitteita sekä paristoja ei tule sekoittaa tavalliseen kotitalousjätteeseen.



Vanhojen tuotteiden ja käytettyjen paristojen asianmukainen käsittely, talteen ottaminen ja kierrätys edellyttävät niiden viemistä tarjolla oleviin keräyspisteisiin kansallisten määräysten sekä direktiivien 2002/96/EC ja 2006/66/EC mukaisesti.



Kun hävität tuotteet ja paristot asianmukaisesti, autat säilyttämään arvokkaita luonnonvaroja sekä ehkäisemään ihmisen terveydelle ja ympäristölle haitallisia vaikutuksia, joita vääränlainen jätteenkäsittely voi aiheuttaa.

Ota yhteys asuinkuntasi viranomaisiin, jätteenkäsittelystä vastaavaan tahoon tai tuotteiden ostopaikkaan saadaksesi lisätietoja vanhojen tuotteiden ja paristojen keräyksestä ja kierrätyksestä.

Tuotteiden epäasianmukaisesta hävittämisestä saattaa seurata kansallisessa lainsäädännössä määrätty rangaistus.

## Yrityksille Euroopan unionissa

Lisätietoja sähkö- ja elektroniikkalaitteiden hävittämisestä saat jälleenmyyjältä tai tavarantoimittajalta.

## [Tietoja hävittämisestä Euroopan unionin ulkopuolella]

Nämä merkinnät ovat voimassa ainoastaan Euroopan unionin alueella. Ota yhteys paikallisiin viranomaisiin tai jälleenmyyjään saadaksesi tietoja oikeasta jätteenkäsittelymenetelmästä.

## V. HUOLTO

### ⚠VAROITUS

Vakavien henkilövahinkojen välttämiseksi, poista aina akku työkalusta ennen minkään huolto-toimenpiteen aloittamista.

### TÄRKEÄ HUOMAUTUS:

Tuotteen TURVALLISUUDEN ja TOIMINTAVARMUUDEN varmistamiseksi huollot pitää antaa valtuutetun huoltoliikkeen tehtäväksi. Vaadi aina alkuperäisiä Panasonic varaosia.

## Työkalun puhdistaminen

Pidä työkalu puhtaana hyvän leikkaustehon saavuttamiseksi ja turvallisen käytön varmistamiseksi.

### Noudata näitä ohjeita:

1. Poista akku työkalusta.
2. Pyyhi työkalu kuivalla ja pehmeällä kankaalla. Älä käytä märkää kangasta tai puhdistusnesteitä.  
Ne saattavat vaurioittaa leikkurin pintaa.
3. Muista hangata pois laitteen pinnassa mahdollisesti oleva öljy tai rasva, joka saattaa tehdä työkalun liukkaaksi tai vaikeaksi käsitellä.
4. Poista terä ja harjaa pois kaikki pöly.

### TÄRKEÄ HUOMAUTUS:

- Henkilövahingon tai laitevaurion ehkäisemiseksi, älä koskaan upota mitään työkalun osaa mihinkään nesteeseen.
- Jos työkalun tai akun sisus kastuu, poista vesi ja kuivata se mahdollisimman pian. Poista varovasti kaikki työkalun sisään kertyvät pöly ja rautapuru. Jos työkalun käytössä ilmenee ongelmia, ota yhteys korjaamoon.

## Läpinäkyvä suoja

### ⚠VAROITUS

Jos suoja on haljennut tai mennyt rikki, työkalu pitää viedä valtuutettuun huoltoliikkeeseen osan vaihtamiseksi uuteen. Älä yritä käyttää leikkuria. Se saattaa johtaa vakavaan henkilövahinkoon. Älä koskaan käytä leikkuria, jos sen läpinäkyvä suoja on vaurioitunut tai jos sitä ei ole asennettu. Ilmassa lentävät lastut saattavat johtaa vakavaan henkilövahinkoon.

## VI. LISÄVARUSTEET

### ⚠VAROITUS

- Tässä ohjekirjassa mainitsemattomien lisävarusteiden käyttäminen voi johtaa tulipaloon, sähköiskun vaaraan tai henkilövahinkoihin. Käytä vain suositeltuja lisävarusteita.
- Jos terää käytetään ohjetta paksunnan tai ohuemman materiaalin leikkaamiseen, leikkausjäljestä tulee karkea ja se voi lisätä "takapotkun" tai muun henkilövahingon vaaraa.

Karbidikärkinen terä metalleja varten

- EY9PM13C  
Karkaisemattoman rautapitoisen materiaalin leikkaamiseen  
Materiaalin paksuus  
0,5 mm – 6,0 mm

Karbidikärkinen terä ohuita metalleja varten (Erillinen lisävaruste)

- EY9PM13D  
Karkaisemattoman ohuen rautapitoisen materiaalin leikkaamiseen, kun vaaditaan puhdas leikkuureuna  
Materiaalin paksuus  
0,5 mm – 6,0 mm

Karbidikärkinen terä puuta varten (Erillinen lisävaruste)

- EY9PW13A  
Puun leikkaamiseen yleensä

Karbidikärkinen terä ohutta puuta varten (Erillinen lisävaruste)

- EY9PW13B  
Ohuen puun leikkaamiseen, kun vaaditaan puhdas leikkuureuna  
Materiaalin suositettu paksuus korkeintaan 12 mm

Karbidikärkinen terä muovin leikkaamista varten (Erillinen lisävaruste)

- EY9PP13B  
Muovin leikkaamiseen  
Akryyli- ja vinyylidikloridilevyjen suositettu paksuus:  
2,0 mm – 5,0 mm  
aaltolevyt, putket  
0,8 mm – 5,0 mm

Pölynimurin letkun sovitin (Erillinen lisävaruste)

- EY9X012E

Reunaohjain (Erillinen lisävaruste)

- EY3500B7727  
Samansuuntaiseen ja toistuvaan leveydeltään samanlaisten kappaleiden leikkaukseen

## VII. TEKNISET TIEDOT

### HUOMAUTUS:

Painomerkitä

Suurempi tai yhtä suuri kuin 1 kg: merkitty 0,05 kg tarkkuudella.

Alle 1 kg : merkitty 0,01 kg tarkkuudella.

## PÄÄLAITE

Malli Nr.	EY45A2				
Moottorin jännite	DC 14.4 V			DC 18 V	
Terän nopeus	3600 rpm (min <sup>-1</sup> )			4500 rpm (min <sup>-1</sup> )	
Terän koko Ulkoläpimitta Keskireikä	135 mm 20 mm				
Maksimi leikkaussyvyys	0 - 46 mm (Φ135 mm terä)				
Maksimimomentti	5.4 N•m			6.7 N•m	
Kokonaispituus	292 mm (vain pääyksikkö)				
Paino	2.05 kg (vain pääyksikkö)				
Akut	Li-ioniakut				
	EY9L42	EY9L44	EY9L45	EY9L50	EY9L51
	DC 14.4 V			DC 18 V	
Ääniä Tärinää	Katso liite.				

## AKKULATURI

Malli Nr.	EY0L82					
Sähköarvot	Katso laturin pohjassa olevaa arvokilpeä.					
Paino	0.93 kg					
Latausaika	Malli Nr.	EY9L42	EY9L44	EY9L45	EY9L50	EY9L51
	Käytettävissä	30 min.	40 min.	50 min.	40 min.	55 min.
	Täysi	35 min.	55 min.	60 min.	55 min.	70 min.

**HUOMAUTUS:** Tässä taulukossa saattaa olla malleja, joita ei ole myytävänä paikkakunnallasi.

Katso tarkemmat tiedot uusimmasta yleisesitteestä.

Katso jälleenmyyjän yhteystiedot oheisesta takuukortista.

## VIII. LIITE

### TAKUUKORTTI

- Hajoaminen tai vahingot, jotka johtuvat pitkäaikaisesta käytöstä (esim. tehdastyöstä tuotantolinjalla tms.) eivät kuulu takuun piiriin.
- Tuotevahingot tai toimintahäiriöt, jotka aiheutuvat sellaisten lisävarusteiden käytöstä, joita ei ole määritelty tässä käyttöohjeessa, eivät kuulu takuun piiriin.

**Panasonic Marketing Europe GmbH  
Panasonic Testing Center  
Winsbergring 15,  
22525 Hamburg,  
Germany**

**Panasonic Corporation**  
1006, Kadoma, Osaka 571-8501, Japan  
<http://panasonic.net>

EN. DE. FR. IT. NL. ES. DA. SV. NO. FI  
EY971245A202 2014.2

Printed in Japan