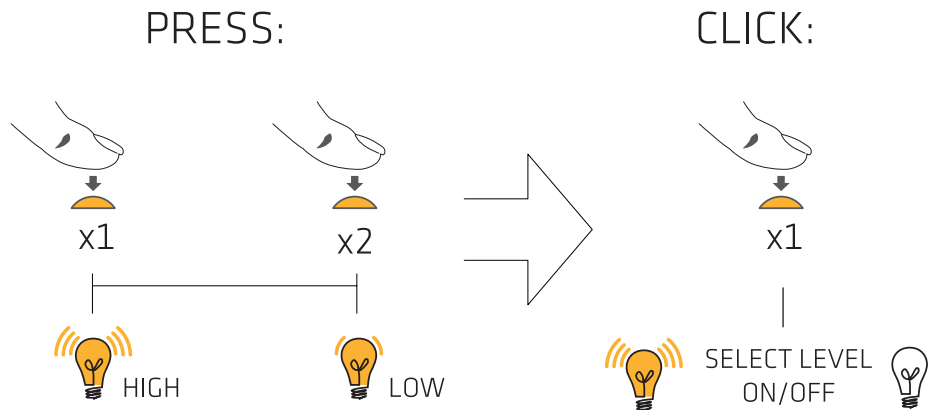
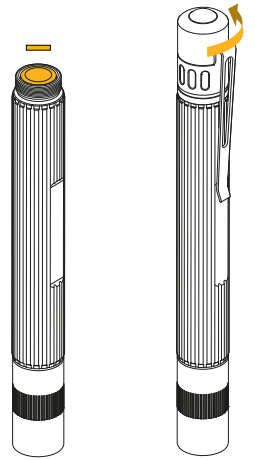


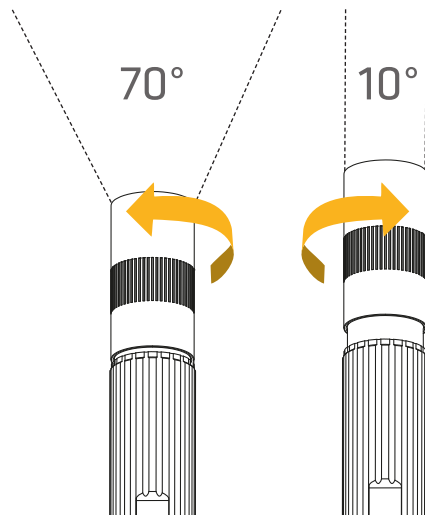
Light Control Function



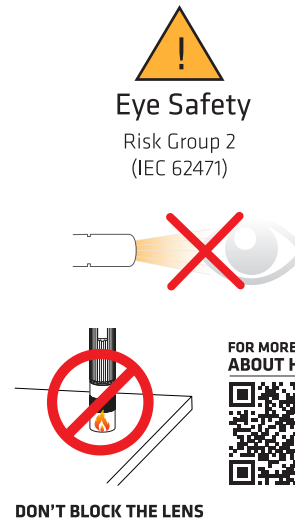
Changing Battery



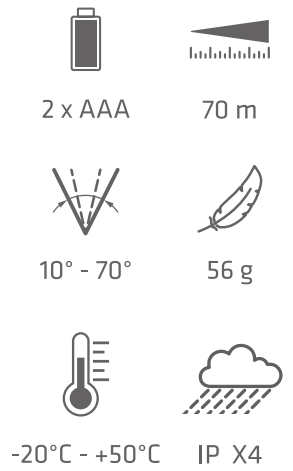
Hyperfocus



Warning

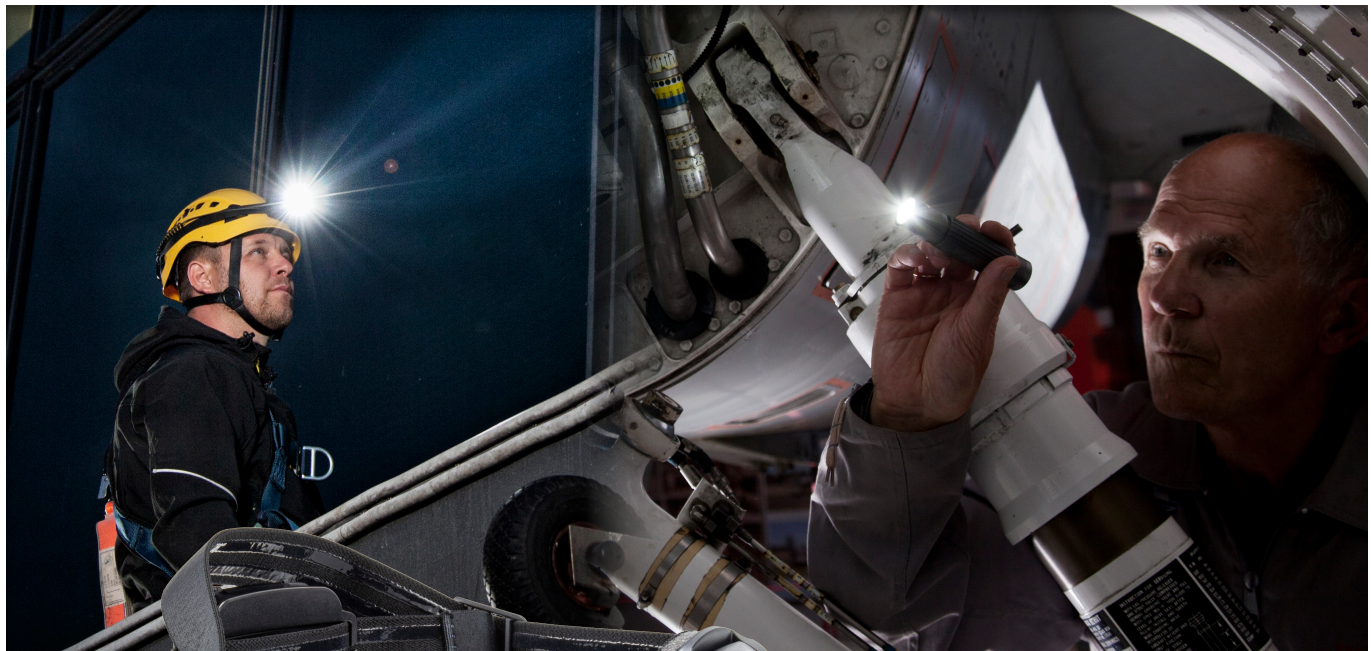


Specifications



Additional Information

OTHER SELECTED PRODUCTS FROM THE SUPRABEAM RANGE



V3pro rechargeable



Q3

This manual may contain typographical errors.
Data and information are subject to change without notice

Steiner A/S
Dyssen 3
DK-8200 Aarhus N
Phone: +45 87 52 52 12
Fax: +45 87 52 52 15
info@suprabeam.com
www.suprabeam.com



