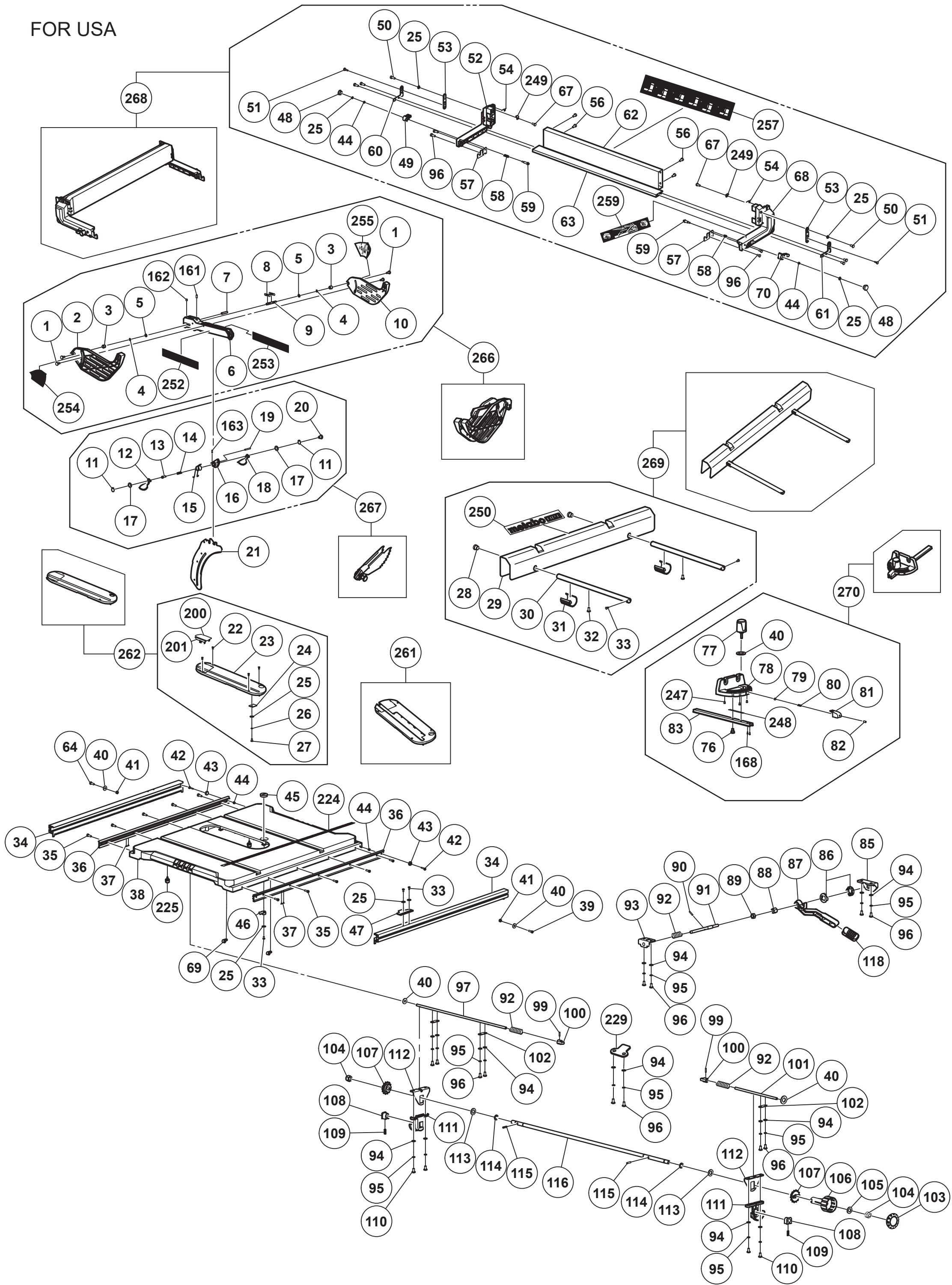
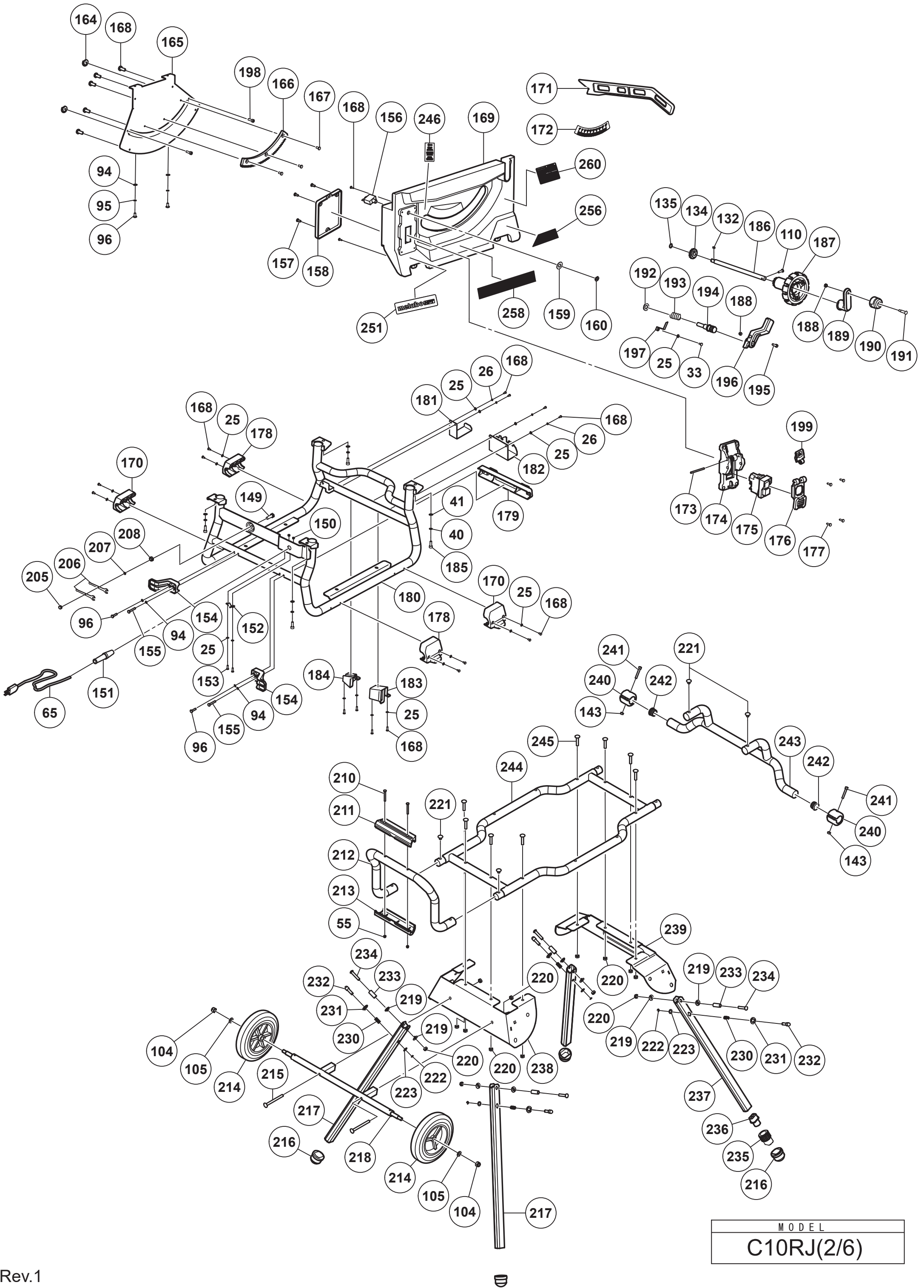
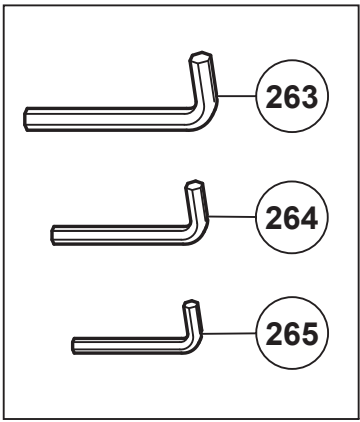
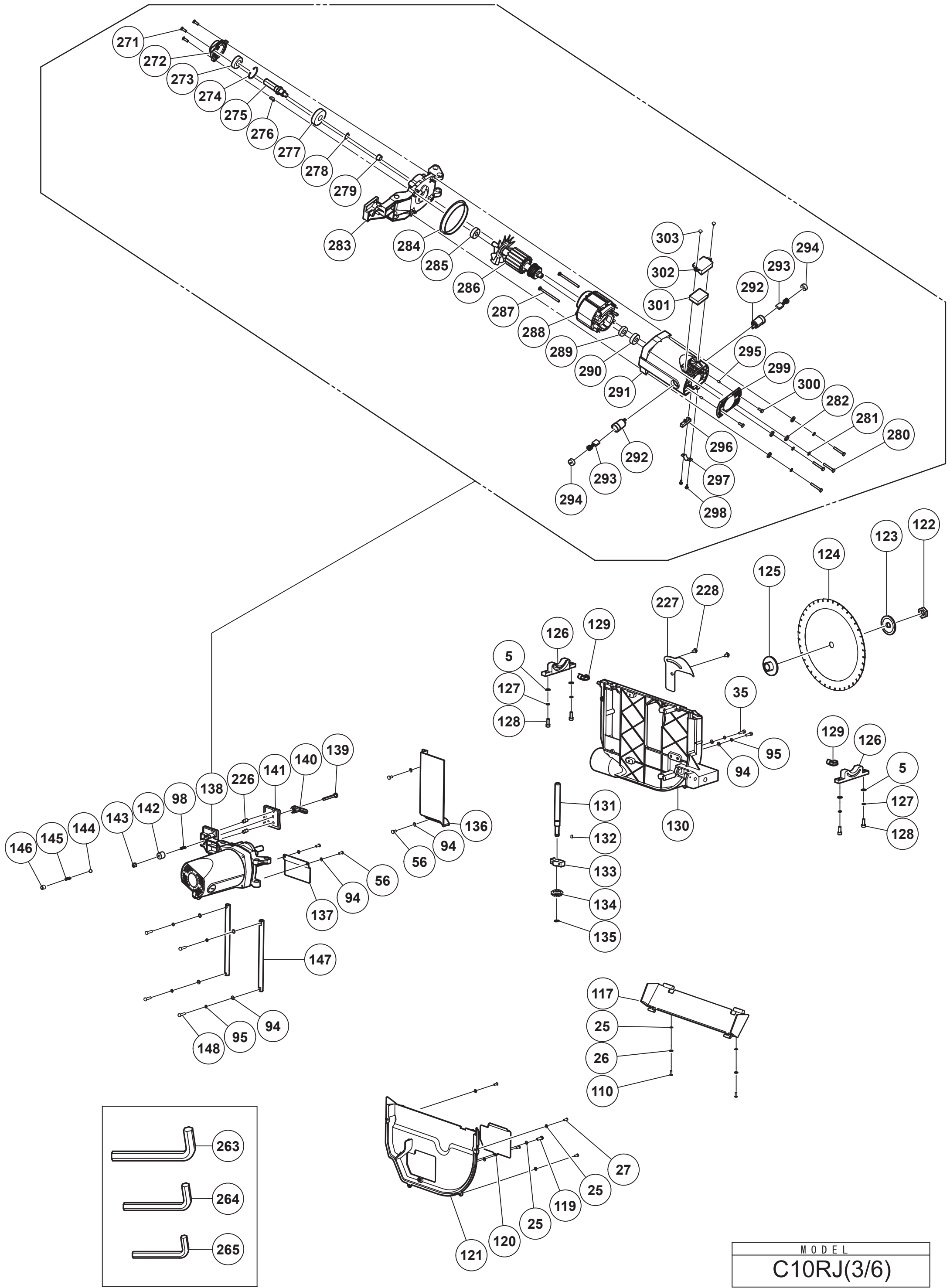


FOR USA



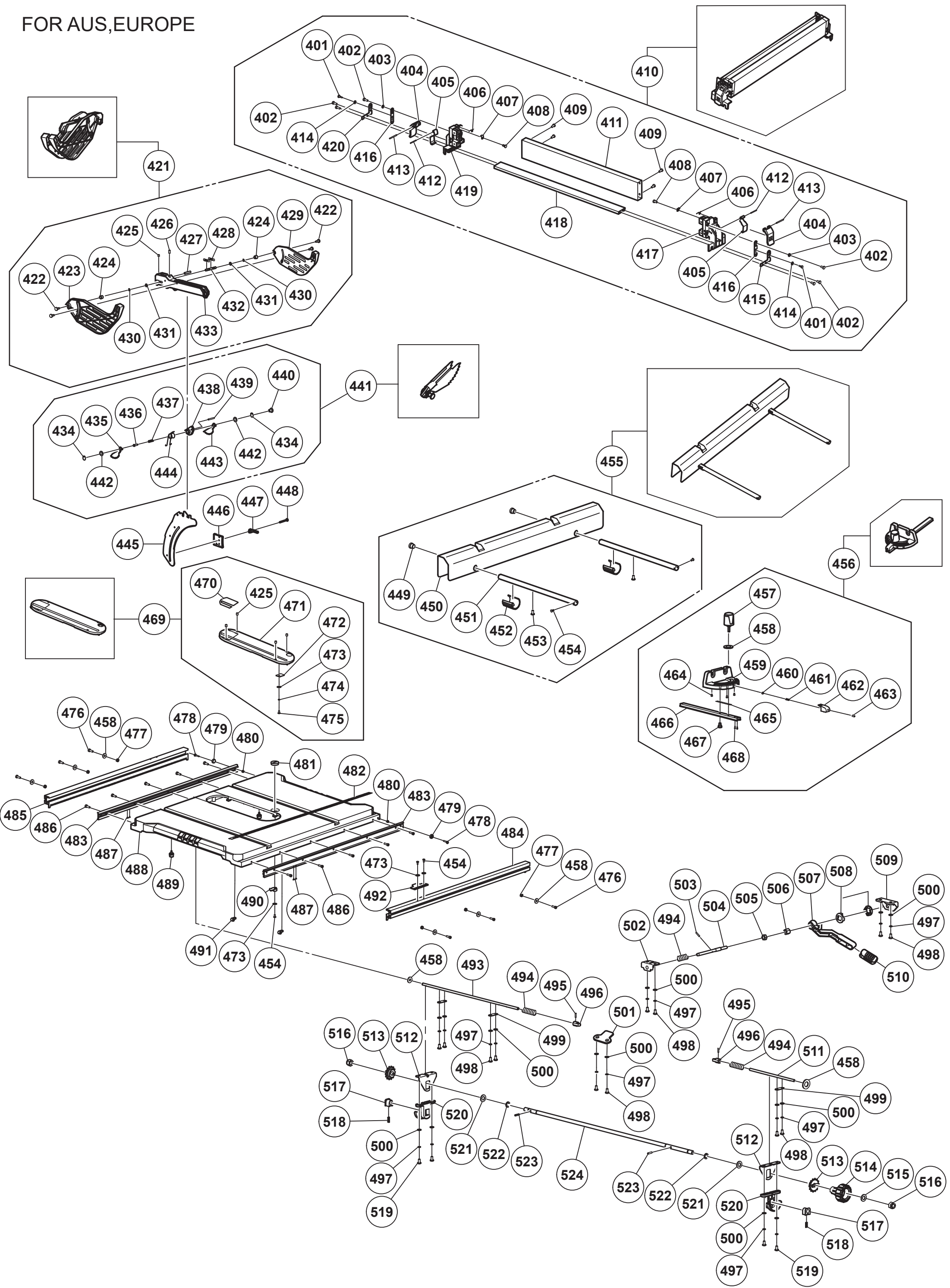


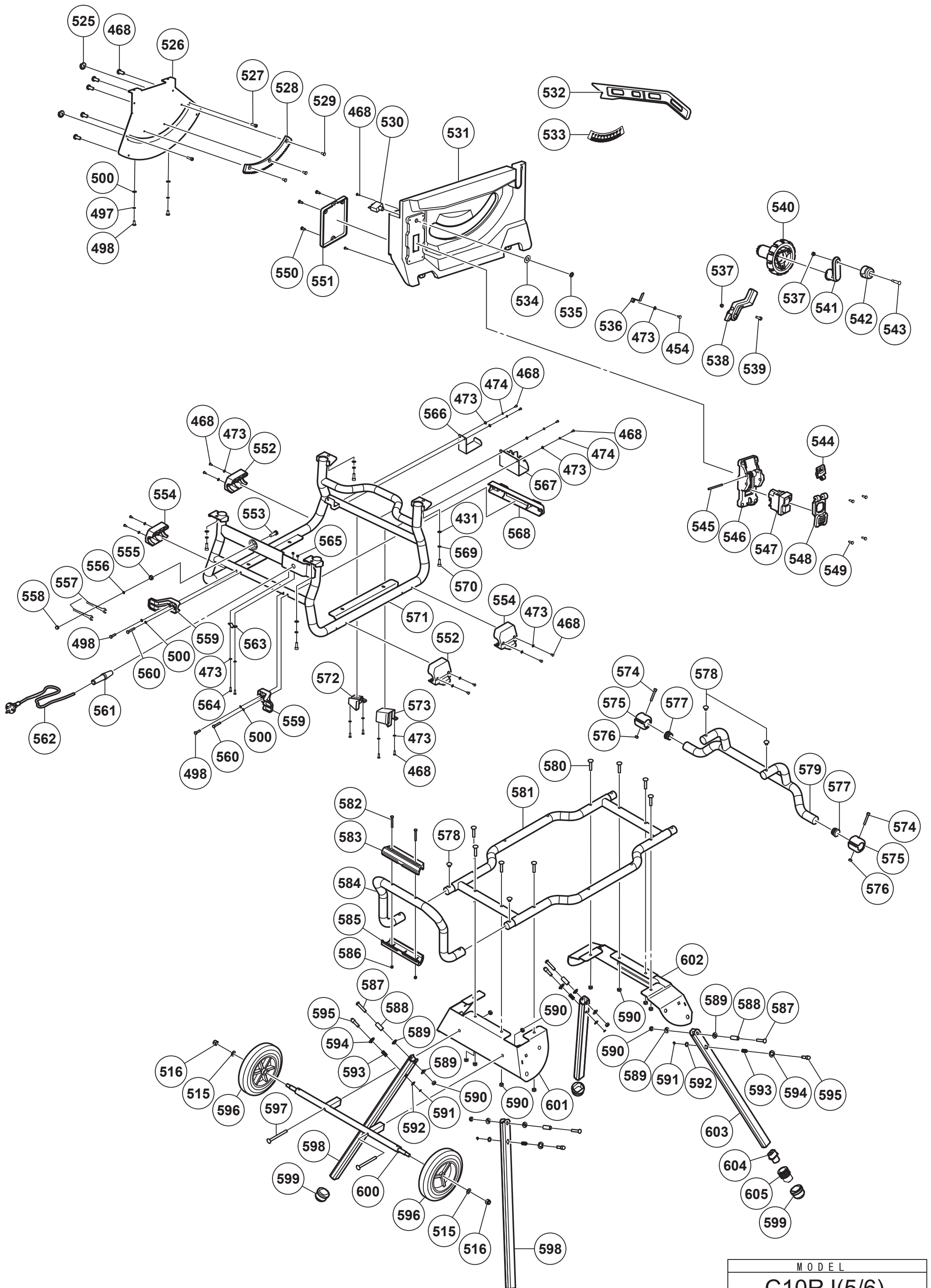
MODEL  
C10RJ(2/6)



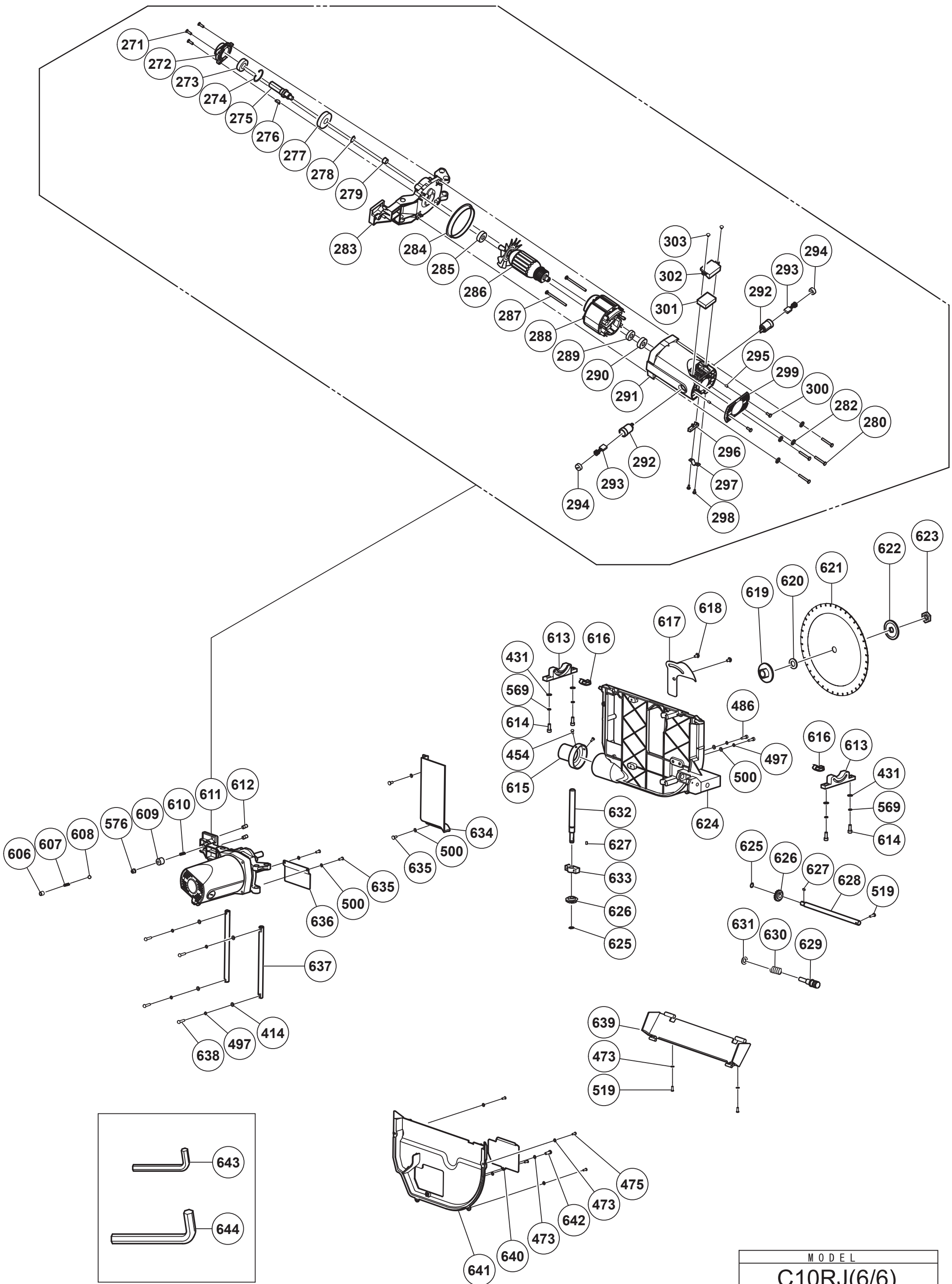
MODEL  
C10RJ(3/6)

FOR AUS,EUROPE





MODEL  
C10RJ(5/6)



**HiKOKI**

OEM

Punkt Nr.	Code Nr.	Beschreibung	Beschreibung(Englisch)	Verwendete Anzahl	Bemerkungen
271	372377		CROSS RECESSED COUNTERSUNK SCREW	3	
272	372378		GEAR COVER	1	
273	372379		DEEP GROOVE BALL BEARING	1	
274	372380		RING	1	
275	372381		OUTPUT SHAFT	1	
276	372382		HALF ROUND KEY	1	
277	372383		GEAR	1	
278	372384		SHAFT RING 16	1	
279	372385		OIL BEARING	1	
280	372376		CROSS RECESS PAN HEAD SCREW	4	
282	371474		FLAT WASHER 5	4	
283	374749		FRONT END COVER	1	
284	372374		INNER RING	1	
285	372373		DEEP GROOVE BALL BEARING	1	
*286	376403		ARMATURE	1	FOR EUROPE,AUS
287	372371		SELF-EXTRUDING SCREW	2	
*288	376404		STATOR	1	FOR EUROPE,AUS
289	372369		BEARING 6003-2RS	1	
290	372368		DAMPING RING	1	
291	375808		MOTOR HOUSING	1	
292	372365		BRUSH HOLDER	2	
293	372364		CARBON BRUSH	2	
294	372363		BRUSH COVER	2	
295	375809		HEX. SOCKET SET SCREW M5X8	2	
296	375810		CHASSIS PLUG	1	
297	372367		CORD HOLDER	1	
298	372358		CROSS RECESSED PAN HEAD TAPPING SCREW	2	
299	375811		COVER PLATE	1	
300	371472		CROSS PAN HEAD SCREW M5X12	2	
*301	376405		SOFT START	1	FOR EUROPE,AUS
302	375813		COVER FOR SOFT START	1	
303	371475		CROSS RECESSED PAN HEAD TAPPING SCREW	2	
401	375829		STOP SCREW	2	FOR EUROPE,AUS
402	375828		CROSS RECESSED PAN HEAD TAPPING SCREW	6	FOR EUROPE,AUS
403	376408		BIG FLAT WASHER	2	FOR EUROPE,AUS
404	376409		LOCKING HANDLE	2	FOR EUROPE,AUS
405	376412		LOCKING PLATE	2	FOR EUROPE,AUS
406	375831		POSITIONING SPRING	2	FOR EUROPE,AUS
407	375832		LIMITATION PLATE	2	FOR EUROPE,AUS
408	376415		CROSS RECESSED PAN HEAD TAPPING SCREW	2	FOR EUROPE,AUS
409	375833		CROSS RECESSED PAN HEAD TAPPING SCREW	4	FOR EUROPE,AUS
410	376422		RIP FENCE ASS'Y	1	FOR EUROPE,AUS
411	376416		RIP FENCE	1	FOR EUROPE,AUS
412	376411		ELASTIC CYLINDRICAL PIN	2	FOR EUROPE,AUS
413	376410		ELASTIC CYLINDRICAL PIN	2	FOR EUROPE,AUS
414	376392		FLAT WASHER	6	FOR EUROPE,AUS
415	375825		FIXING PLATE (C)	1	FOR EUROPE,AUS
416	375830		FIXING PLATE (A)	2	FOR EUROPE,AUS
417	376413		RIP FENCE HOLDER (LEFT)	1	FOR EUROPE,AUS
418	376417		VICE RIP FENCE	1	FOR EUROPE,AUS
419	376414		RIP FENCE HOLDER (RIGHT)	1	FOR EUROPE,AUS
420	375823		FIXING PLATE (B)	1	FOR EUROPE,AUS
421	376419		BLADE GUARD ASS'Y	1	FOR EUROPE,AUS
422	374650		BOLT	4	FOR EUROPE,AUS
423	374651		LEFT BLADE GUARD	1	FOR EUROPE,AUS
424	374652		LATCH CAP	2	FOR EUROPE,AUS
425	374662		HEXAGON SOCKET SET SCREW	5	FOR EUROPE,AUS

Punkt Nr.	Code Nr.	Beschreibung	Beschreibung(Englisch)	Verwendete Anzahl	Bemerkungen
426	375844		HEX. SOCKET SET SCREW WITH FLAP POINT M5	1	FOR EUROPE,AUS
427	374654		STOP PIN	1	FOR EUROPE,AUS
428	374655		BLADE GUARD SUPPORT SEAT SPRING	2	FOR EUROPE,AUS
429	374657		RIGHT BLADE GUARD	1	FOR EUROPE,AUS
430	371595		SPLIT WASHER 4	2	FOR EUROPE,AUS
431	371596		FLAT WASHER 6	10	FOR EUROPE,AUS
432	374656		SLIDING DETENT	1	FOR EUROPE,AUS
433	374653		BLADE GUARD SUPPORT SEAT	1	FOR EUROPE,AUS
434	371610		WASHER ON SHAFT 11	2	FOR EUROPE,AUS
435	374658		ANTI-KICKBACK PAWL(A)	1	FOR EUROPE,AUS
436	371601		LATCH	1	FOR EUROPE,AUS
437	371604		COMPRESSING SPRING (A)	1	FOR EUROPE,AUS
438	375837		SUPPORTING SEAT	1	FOR EUROPE,AUS
439	371606		SPRING PIN	1	FOR EUROPE,AUS
440	371600		KNOB	1	FOR EUROPE,AUS
441	375841		ANTI-KICKBACK PAWLS ASS'Y	1	FOR EUROPE,AUS
442	375838		WASHER	2	FOR EUROPE,AUS
443	374660		ANTI-KICKBACK PAWL(B)	1	FOR EUROPE,AUS
444	371609		ANTI-KICKBACK PAWL SPRING	1	FOR EUROPE,AUS
445	375839		RIVING KNIFE	1	FOR EUROPE,AUS
446	371603		CAM PRESSING PLATE	1	FOR EUROPE,AUS
447	371599		ECCENTRIC HAND	1	FOR EUROPE,AUS
448	374713		SPECIAL BOLT	1	FOR EUROPE,AUS
449	374665		HEXAGON SOCKET SCREW M14	2	FOR EUROPE,AUS
450	371577		EXTENSION TABLE	1	FOR EUROPE,AUS
451	371581		EXTENSION ROD	2	FOR EUROPE,AUS
452	374666		STOP COLLAR	2	FOR EUROPE,AUS
453	374667		CROSS PAN HEAD SCREW	2	FOR EUROPE,AUS
*454	371423		CROSS PAN HEAD SCREW M4X8	8	FOR EUROPE
455	376418		OUTFEED SUPPORT ASS'Y	1	FOR EUROPE,AUS
456	375845		MITER GAUGE ASS'Y	1	FOR EUROPE,AUS
457	374682		HANDLE FOR MITER GAUGE	1	FOR EUROPE,AUS
458	371541		BIG FLAT WASHER 6	9	FOR EUROPE,AUS
459	374683		MITER GAUGE	1	FOR EUROPE,AUS
460	371625		STEEL BALL	1	FOR EUROPE,AUS
461	374684		COMPRESSING SPRING (B)	1	FOR EUROPE,AUS
462	374685		POINTER	1	FOR EUROPE,AUS
463	371627		HEX. SOCKET SET SCREW WITH FLAT POINT M6	1	FOR EUROPE,AUS
464	371643		FRICITION PAD	3	FOR EUROPE,AUS
465	371631		ADJUSTING SHIM	1	FOR EUROPE,AUS
466	371628		BAR FOR MITER GAUGE	1	FOR EUROPE,AUS
467	371629		BOLT (A)	1	FOR EUROPE,AUS
468	371475		CROSS RECESSED PAN HEAD TAPPING SCREW	25	FOR EUROPE,AUS
469	376388		TABLE INSERT ASS'Y	1	FOR EUROPE,AUS
470	376387		BASE PLATE	1	FOR EUROPE,AUS
471	376381		TABLE INSERT	1	FOR EUROPE,AUS
472	374664		TABLE INSERT LOCK PLATE	1	FOR EUROPE,AUS
473	371424		FLAT WASHER 4	30	FOR EUROPE,AUS
474	371443		SPRIN WASHER 4	5	FOR EUROPE,AUS
475	371506		CROSS PAN HEAD SCREW M4X10	5	FOR EUROPE,AUS
476	376384		SOCKET HEAD CAP SCREW	6	FOR EUROPE,AUS
477	371542		HEX. NUT M6	6	FOR EUROPE,AUS
478	371549		ADJUSTING BOLT	2	FOR EUROPE,AUS
479	371550		ADJUSTING WHEEL	2	FOR EUROPE,AUS
480	371552		LOCK NUT M4	2	FOR EUROPE,AUS
*481	376390		TABLE INSERT LOCKING BLOCK (A)	1	FOR EUROPE
482	376389		SCALE LABEL	1	FOR EUROPE,AUS
483	371551		RAIL	2	FOR EUROPE,AUS
484	376383		SLIDING RAIL (B)	1	FOR EUROPE,AUS



Punkt Nr.	Code Nr.	Beschreibung	Beschreibung(Englisch)	Verwendete Anzahl	Bemerkungen
485	376382		SLIDING RAIL (A)	1	FOR EUROPE,AUS
486	371546		HEX. SOCKET CAP SCREW M5X16	12	FOR EUROPE,AUS
487	371548		FRICTION PAD	2	FOR EUROPE,AUS
488	374669		WORKING TABLE	1	FOR EUROPE,AUS
489	371585		KNOB	2	FOR EUROPE,AUS
490	374671		TABLE INSERT LOCKING BLOCK (B)	1	FOR EUROPE,AUS
491	374674		MOVABLE BAFFLE FIXED SEAT	2	FOR EUROPE,AUS
492	371545		POINTER	1	FOR EUROPE,AUS
493	371527		REAR LOCKING ROD (B)	1	FOR EUROPE,AUS
494	371526		COMPRESSION SPRING	3	FOR EUROPE,AUS
495	371528		SPRING PIN	2	FOR EUROPE,AUS
496	371529		SLIDER (A)	2	FOR EUROPE,AUS
497	374691		SPRING WASHER	24	FOR EUROPE,AUS
498	374692		CROSS PAN HEAD SCREW	16	FOR EUROPE,AUS
499	371525		CLAMP BOARD	3	FOR EUROPE,AUS
500	374690		FLAT WASHER	28	FOR EUROPE,AUS
501	375803		BAFFLE	1	FOR EUROPE,AUS
502	374689		LOCATION-LIMITED PLATE (B)	1	FOR EUROPE,AUS
503	371543		SPRING PIN	1	FOR EUROPE,AUS
504	371533		FRONT LOCKING ROD	1	FOR EUROPE,AUS
505	371434		HEX. NUT M8	1	FOR EUROPE,AUS
506	374688		LONGER NUT M8 (B)	1	FOR EUROPE,AUS
507	374687		LOCKING LEVER	1	FOR EUROPE,AUS
508	371539		LOCKING BLOCK	2	FOR EUROPE,AUS
509	374686		LOCATION-LIMITED PLATE (A)	1	FOR EUROPE,AUS
510	371537		SHEATH FOR LOCKING LEVER	1	FOR EUROPE,AUS
511	371531		REAR LOCKING ROD (A)	1	FOR EUROPE,AUS
512	371521		ADJUSTING SUPPORT SEAT (A)	2	FOR EUROPE,AUS
513	374696		ADJUSTING GEAR	2	FOR EUROPE,AUS
514	376385		ROTATION KNOB	1	FOR EUROPE,AUS
515	371515		FLAT WASHER	3	FOR EUROPE,AUS
516	371514		HEX. NUT M10	4	FOR EUROPE,AUS
517	371518		ADJUSTING SUPPORT SEAT (C)	2	FOR EUROPE,AUS
518	371519		ADJUSTING SPRING	2	FOR EUROPE,AUS
519	374777		CROSS PAN HEAD SCREW	7	FOR EUROPE,AUS
520	371520		ADJUSTING SUPPORT SEAT (B)	2	FOR EUROPE,AUS
521	374697		BIG FLAT WASHER	2	FOR EUROPE,AUS
522	371595		SPLIT WASHER 4	2	FOR EUROPE,AUS
523	371524		SPRING PIN	2	FOR EUROPE,AUS
524	376386		ADJUSTING ROD	1	FOR EUROPE,AUS
525	374729		ECCENTRIC LOCATION-LIMITED	2	FOR EUROPE,AUS
526	375820		BACK PLATE	1	FOR EUROPE,AUS
527	374743		HEXAGON SOCKET HEAD CAP SCREW M5X10	2	FOR EUROPE,AUS
528	374731		ANGLE ADJUSTING BASE	1	FOR EUROPE,AUS
529	371476		CROSS RECESSED COUNTERSUNK HEAD SCREW	3	FOR EUROPE,AUS
530	376406		OVERLOAD PROTECTOR 9A	1	FOR EUROPE,AUS
531	371464		FRONT PANEL	1	FOR EUROPE,AUS
532	371532		PUSH STICKER	1	FOR EUROPE,AUS
533	371463		BEVEL LABEL	1	FOR EUROPE,AUS
534	371448		LABEL FOR OVERLOAD PROTECTOR	1	FOR EUROPE,AUS
535	371447		NUT FOR OVERLOAD PROTECTOR	1	FOR EUROPE,AUS
536	371462		45° POINTER	1	FOR EUROPE,AUS
537	371455		HEX. NUT M5	2	FOR EUROPE,AUS
538	371454		LOCKING HANDLE	1	FOR EUROPE,AUS
539	371453		HEXAGON SOCKET HEAD CAP SCREW M5X12	1	FOR EUROPE,AUS
540	371460		ROTATION WHEEL	1	FOR EUROPE,AUS
541	374738		ROTATION HANDLE	1	FOR EUROPE,AUS
542	374739		CRANK HANDLE KNOB	1	FOR EUROPE,AUS
543	374740		HANDLE SCREW	1	FOR EUROPE,AUS

Punkt Nr.	Code Nr.	Beschreibung	Beschreibung(Englisch)	Verwendete Anzahl	Bemerkungen
544	371635		SWITCH LOCK	1	FOR EUROPE,AUS
545	371461		ROTATION PIN	1	FOR EUROPE,AUS
546	371452		SWITCH FIXING PLATE	1	FOR EUROPE,AUS
547	376407		ELECTROMAGNETIC SWITCH 230V	1	FOR EUROPE,AUS
548	371634		SWICTH FLAP	1	FOR EUROPE,AUS
549	371451		CROSS RECESSED PAN HEAD TAPPING SCREW	4	FOR EUROPE,AUS
550	371466		CROSS RECESSED PAN HEAD TAPPING SCREW	3	FOR EUROPE,AUS
551	375818		SWITCH COVER	1	FOR EUROPE,AUS
552	371427		ADJUSTABLE FOOT (A)	2	FOR EUROPE,AUS
553	371432		OUTER HEX. BOLT M8X30	1	FOR EUROPE,AUS
554	371426		ADJUSTABLE FOOT (B)	2	FOR EUROPE,AUS
555	371434		HEX. NUT M8	1	FOR EUROPE,AUS
556	371435		SAW BLADE HOLDER	1	FOR EUROPE,AUS
557	374718		BLADE WRENCH	2	FOR EUROPE,AUS
558	374717		LOCKING KNOB	1	FOR EUROPE,AUS
559	371440		CORD WARP	2	FOR EUROPE,AUS
560	371433		CROSS PAN HEAD SCREW M5X40	2	FOR EUROPE,AUS
561	371439		ANTI-BENDING SHEATH	1	FOR EUROPE,AUS
*562	376394		POWER CORD	1	FOR EUROPE
563	371438		WIRE CLIP	1	FOR EUROPE,AUS
564	371436		CROSS RECESS PAN HEAD SCREW M4X12	2	FOR EUROPE,AUS
565	371441		HEX. NUT M4	2	FOR EUROPE,AUS
566	371442		BLADE GUARD STORAGE (B)	1	FOR EUROPE,AUS
567	371446		BLADE GUARD STORAGE (A)	1	FOR EUROPE,AUS
568	371431		MITER GAUGE STORAGE	1	FOR EUROPE,AUS
569	371429		SPRING WASHER	8	FOR EUROPE,AUS
570	371428		HEXAGON SOCKET HEAD CAP SCREW M6X16	4	FOR EUROPE,AUS
571	371425		FRAME ASS'Y	1	FOR EUROPE,AUS
572	371444		PUSH STICKER STORAGE (A)	1	FOR EUROPE,AUS
573	371445		PUSH STICKER STORAGE (B)	1	FOR EUROPE,AUS
574	371413		HEX. SOCKET CAP SCREW M6X40	2	FOR EUROPE,AUS
575	371412		FOOTING	2	FOR EUROPE,AUS
576	371411		LOCK NUT M6	3	FOR EUROPE,AUS
577	371414		END CAP	2	FOR EUROPE,AUS
578	371416		HEX. SOCKET BUTTON HEAD SCREW	4	FOR EUROPE,AUS
579	371415		HANDLE ASS'Y	1	FOR EUROPE,AUS
580	371417		HEX. SOCKET BUTTON HEAD SCREW M8X45	8	FOR EUROPE,AUS
581	371410		HORIZONTAL SUPPORT TUBE ASS'Y M6X40	1	FOR EUROPE,AUS
582	371422		CROSS PAN HEAD SCREW M5X45	2	FOR EUROPE,AUS
583	371421		SUPPORT PAD (A)	1	FOR EUROPE,AUS
584	371420		SUPPORT TUBE ASS'Y	1	FOR EUROPE,AUS
585	371419		SUPPORT PAD (B)	1	FOR EUROPE,AUS
586	371418		LOCK NUT M5	2	FOR EUROPE,AUS
587	371398		LEG BOLT	4	FOR EUROPE,AUS
588	371639		LEG STOP COLLAR	4	FOR EUROPE,AUS
589	371397		FRICITION PAD 8	8	FOR EUROPE,AUS
590	371400		LOCK NUT M8	14	FOR EUROPE,AUS
591	371392		SPLIT WASHER	4	FOR EUROPE,AUS
592	371393		FLAT WASHER 8	4	FOR EUROPE,AUS
593	371394		SPRING	4	FOR EUROPE,AUS
594	371395		FRICITION PAD	4	FOR EUROPE,AUS
595	371396		STOP PIN	4	FOR EUROPE,AUS
596	371403		WHEEL	2	FOR EUROPE,AUS
597	371402		HEX. SOCKET PLAIN ROUND HEAD SCREW M8X90	2	FOR EUROPE,AUS
598	371391		STAND LEG (A)	3	FOR EUROPE,AUS
599	371390		STAND FOOT	4	FOR EUROPE,AUS
600	371401		WHEEL SHAFT ASS'Y	1	FOR EUROPE,AUS
601	371399		SUPPORT PLATE ASS'Y (A)	1	FOR EUROPE,AUS
602	371409		SUPPORT PLATE ASS'Y (B)	1	FOR EUROPE,AUS

Punkt Nr.	Code Nr.	Beschreibung	Beschreibung(Englisch)	Verwendete Anzahl	Bemerkungen
603	371408		ADJUSTABLE LEG	1	FOR EUROPE,AUS
604	371407		ADJUSTABLE FOOT (A)	1	FOR EUROPE,AUS
605	371406		ADJUSTABLE FOOT (B)	1	FOR EUROPE,AUS
606	371615		HEX. SOCKET SET SCREW WITH FLAT POINT	1	FOR EUROPE,AUS
607	374715		HOLDER SPRING	1	FOR EUROPE,AUS
608	371613		STEEL BALL	1	FOR EUROPE,AUS
609	374714		CLAMPING BUSH	1	FOR EUROPE,AUS
610	374693		SPRING	1	FOR EUROPE,AUS
611	376399		MOTOR	1	FOR EUROPE,AUS
612	371602		CYLINDRICAL PIN	2	FOR EUROPE,AUS
613	374703		TRUNNION HOLDER	2	FOR EUROPE,AUS
614	374704		HEXAGON SOCKET HEAD CAP SCREW	4	FOR EUROPE,AUS
*615	376401		DUST ADAPTER	1	FOR EUROPE
616	374705		TRUNNION SLIDER BLOCK	2	FOR EUROPE,AUS
617	375806		SAFETY SHIELD	1	FOR EUROPE,AUS
618	376400		BOLT	2	FOR EUROPE,AUS
619	371496		BLADE INNER FLANGE	1	FOR EUROPE,AUS
620	376395		VARIABLE DIAMETER RING	1	FOR EUROPE,AUS
621	376397		BLADE	1	FOR EUROPE,AUS
622	371502		BLADE OUTER FLANGE	1	FOR EUROPE,AUS
623	371503		ARBOR NUT	1	FOR EUROPE,AUS
*624	376398		TRUNNION	1	FOR EUROPE
625	371610		WASHER ON SHAFT 11	2	FOR EUROPE,AUS
626	374709		BEVEL GEAR	2	FOR EUROPE,AUS
627	371487		A TYPE KEY	2	FOR EUROPE,AUS
628	374737		UP AND DOWN ADJUSTING ROD	1	FOR EUROPE,AUS
629	371482		COMPRESSION SCEW ROD	1	FOR EUROPE,AUS
630	374742		LOCKING COMPRESSION SPRING	1	FOR EUROPE,AUS
631	374741		WASHER SLEEVE	1	FOR EUROPE,AUS
632	374707		UP AND DOWN ADJUSTING ROD	1	FOR EUROPE,AUS
633	374708		ADJUSTING SEAT	1	FOR EUROPE,AUS
634	374710		COVER PLATE	1	FOR EUROPE,AUS
635	376396		CROSS RECESS PAN HEAD SCREW	4	FOR EUROPE,AUS
636	376393		BLADE PROTECTION PLATE	1	FOR EUROPE,AUS
637	374716		GUIDE PILLAR	2	FOR EUROPE,AUS
638	371494		CROSS PAN HEAD SCREW M5X20	4	FOR EUROPE,AUS
639	374699		MOVING BAFFLE	1	FOR EUROPE,AUS
640	376391		SMALL BAFFLE	1	FOR EUROPE,AUS
641	374701		TRUNNION PROTECTION GUARD	1	FOR EUROPE,AUS
*642	376396		CROSS RECESS PAN HEAD SCREW	1	FOR EUROPE
643	371646		HEX. KEY 2.5MM	1	FOR EUROPE,AUS
644	371644		HEX. KEY 5MM	1	FOR EUROPE,AUS