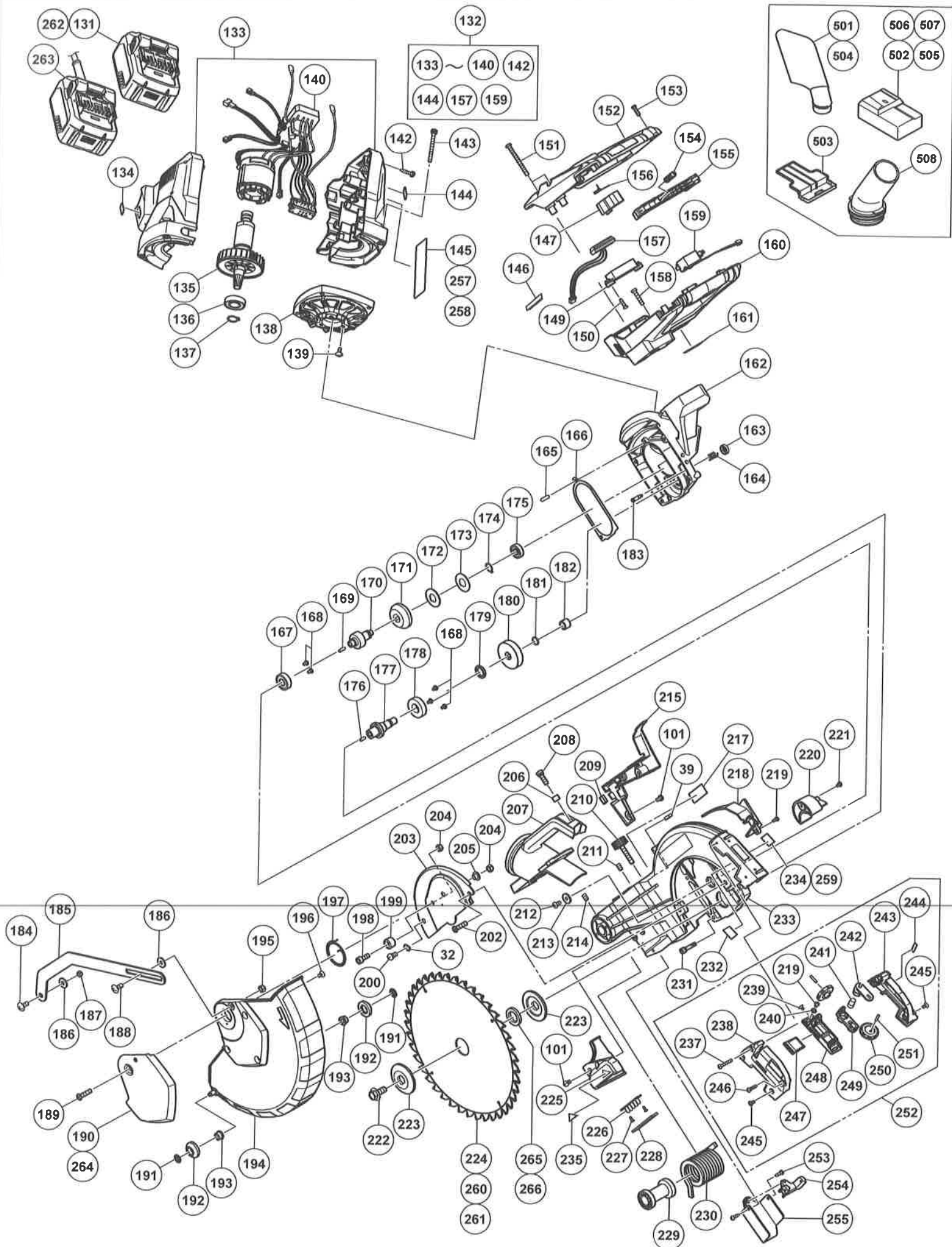


MODEL
C3610DRA(1/2)



MODEL
C3610DRA(2/2)

C3610DRA

1	372555	HEX. SOCKET HD. CAP SCREW M5X40	2
2	372556	HEX.SOCKET TRUSS HEAD&WASHER ASS'Y M6X16	2
3	372561	FLAT WASHER M6	2
4	372577	HEX. SOCKET HD. CAP SCREW M6X14	3
5	372450	EXTERNAL TOOTH LOCK WASHER M6	3
6	372500	NUT CHUCK M12	1
7	372453	DISC SPRING WASHER M12	1
8	372559	FLAT WASHER M12	1
9	372553	HEX. SOC. SET SCREW M6X16	2
10	373689	ARM-MITER	1
11	372623	PLATE	1
12	372625	CR. RE. TRUSS HD. ROUND NECK SCREW M5X12	2
13	372018	WAVE WASHER	2
14	372622	PLATE	1
15	372524	SET PLATE	1
16	372521	RUBBER PAD	1
17	372458	O-RING ROD	2
18	372515	MITER BAR ASS'Y	1
19	372543	CR. -RE. TRUSS HD. SCREW M5X6	3
20	372519	BEARING COVER	3
21	372491	BLANKET WASHER	4
22	372490	LINEAR MOTION BEARING	2
23	372569	SET PLATE	1
24	372503	HEX.SOCKET TRUSS HEAD&WASHER ASS'Y M6X12	2
25	372585	CLAMP HANDLE	1
26	372050	O-RING	1
27	372481	CLEVIS PIN	1
28	372454	C-RING	1
29	372489	SHAFT	1
30	372566	ANCHOR PLATE	1
31	372567	CR. RE. TRUSS HD. ROUND NECK SCREW M6X10	1
32	327354	WAVE WASHER	2
33	372533	ARM MITER COVER	1
34	372024	CR. RE. PAN HD. TAPPING SCREW D5X12	2
35	372059	CR. RE. PAN HD. TAPPING SCREW D5X16	1
36	372573	CR. RE. PAN HD. TAPPING SCREW D5X35	1
37	372516	MITER BAR	1
38	372511	FRAME ENDCAP (BLACK PLASTIC)	1
39	372513	SPACER	2
40	372617	WARNING LABEL	1
41	373688	SLIDE-BAR SEAT (FRONT)	1
42	372512	WASHER BEARING	1
43	372523	LINEAR MOTION BEARING	1

44	372514	SET PLATE	1
45	372456	O-RING	1
46	372510	LOCATING BAR	1
47	372466	CR. RE. PAN HD. SCREW M4X12	1
48	372628	TILTING SCALE	1
49	327352	FLAT WASHER M4	1
50	372536	NEEDLE POINTER	1
51	372583	CLAMP BOLT	1
52	339841	LOCK NUT M8	1
53	726478	FLAT WASHER M8	1
54	372587	TABLE	1
55	372552	CR. RE. PAN HD. SCREW M5X10	6
56	372610	TABLE INSERT	2
57	372731	STOP PLATE	1
58	372478	COMPRESSION SPRING	1
59	372595	BRACKET STOP	1
60	372474	ROLL PIN	2
61	372593	LOCATING BAR	1
62	372592	SPECIAL NUT	1
63	372613	CAUTION LABEL	1
64	372589	CLAMP HANDLE	1
65	372629	ROLL PIN	1
66	372594	LOCKING ROD	1
67	372590	KNOB	1
68	726539	HEX. SOC. HD. CAP SCREW M6X16	1
69	372517	SHAFT-PIVOT	1
70	339796	NUT CHUCK M10	1
71	949434	BOLT WASHER M10 (10 PCS.)	1
72	372548	CR. RE. PAN HD. SCREW M5X6	1
73	372532	SPECIAL BOLT	1
74	339832	FLAT WASHER M10	1
75	372564	HEX. SOCKET HD. CAP SCREW M5X20	1
76	372497	BUSHING	1
77	372505	HEX. NUT M6	2
78	372459	HEX. HD. BOLT M6X20	2
79	968247	HEX. SOCKET SET SCREW M6X10	1
80	949235	MACHINE SCREW M5X8 (10 PCS.)	1
81	372576	NEEDLE POINTER	1
83	372530	PLUNGER HANDLE	1
84	372504	COMPRESSION SPRING	1
85	372502	COMPRESSION SPRING	1
86	372486	CR. -RE. TRUSS HD. SCREW M4X8	1
87	372572	ALLEN BOLT M5X35	1
88	372588	HANDLE	1
89	726615	LOCK NUT M5	1

90	372591	PLUNGER HANDLE	1
92	373962	SLIDE PLATE	1
93	372614	CAUTION LABEL	1
94	372529	ADJUSTABLE NUT	1
95	372528	LEVELING PAD	1
96	372586	CLAMP HANDLE	2
97	373681	EXTENSION TABLE	2
98	373665	HEX. SOCKET HD. CAP SCREW M8X30	4
99	372618	WARNING LABEL	1
100	372446	BLADE WRENCH	1
101	372549	CR. RE. PAN HD. SCREW M5X8	7
102	372525	WRENCH SET	1
103	372582	ASSIST-FENCE (RIGHT)	1
104	372584	CLAMP BOLT	2
105	726318	HEX. SOC. TRUSS HD. SCREW M8X20	4
106	372479	HEX. SOC. SET SCREW M5X6	2
107	372581	ASSIST-FENCE (LEFT)	1
108	372580	FENCE	1
109	372570	REAR SUPPORT TUBE	2
110	372571	REAR SUPPORT TUBE	2
111	372464	CR. -RE. TRUSS HD. SCREW M5X16	2
112	373687	BASE	1
113	372442	CENTER BOLT	1
114	372612	BRACKET-TILT	1
115	373666	HANDLE BAR ASS'Y	1
116	373668	WISE BEARING	1
117	373677	FLAT WASHER M9.6	1
118	373667	FLANGE	1
119	373675	CR. RE. PAN HD. SCREW & WASHER M5X12	1
120	372531	WISE ASS'Y	1
121	373678	FLAT WASHER M5	1
122	373961	FLAT WASHER M6.3	1
132	373762	MOTOR ASS'Y	1
133	373763	HOUSING ASS'Y	1
134	373913	MV LABEL (A)	1
135	361094	ROTOR ASS'Y	1
136	372405	BALL BEARING	1
137	726512	RETANING RING	1
138	372412	FRONT HOUSING	1
139	372404	SCREW M5X10	3
140	341011B	WIRING ASS'Y	1
142	301653	TAPPING SCREW (W/FLANGE) D4X20 (BLACK)	9
143	373797	CR. RE. PAN HD. SCREW & WASHER M5X55	4
144	373914	MV LABEL (B)	1
146	372212	SENSORMATIC CHIP	1

147	372537	BUTTON SWITCH	1
149	373685	SWITCH MOUNTING	1
150	373664	CR. RE. PAN HD. TAPPING SCREW D4X12	2
151	372550	CR. RE. PAN HD. SCREW M5X55	2
152	373683	MOTOR HANDLE (UP)	1
153	372488	CR. RE. PAN HD. TAPPING SCREW D4X20	4
154	372441	COMPRESSION SPRING	1
155	373686	TRIGGER	1
156	372538	TORSION SPRING	1
157	373949	PANEL SWITCH ASS'Y	1
158	372551	CR. RE. PAN HD. SCREW M5X25	1
159	371907	SWITCH	1
160	373684	MOTOR HANDLE (DOWN)	1
162	372415	GEAR BOX	1
163	372414	LOCK KNOB	1
164	372416	COMPRESSION SPRING	1
165	372422	NEEDLE ROLLER	2
166	372423	OIL PAPER	1
167	372391	BALL BEARING	1
168	372429	HEX.SOC.TRUSS HD.SCREW M4X6	5
169	372396	PARALLEL KEY	1
170	372411	GEAR SHAFT	1
171	372436	STRAIGHT BEVEL GEAR	1
172	372435	BUMPER	1
173	372434	CENTER SHAFT WASHER	1
174	372403	C-RING	1
175	372389	BALL BEARING	1
176	372433	PARALLEL KEY	1
177	372408	CUTTER SHAFT	1
178	372390	BALL BEARING	1
179	372409	COLLAR	1
180	372410	HELIX GEAR	1
181	317578	C-RING	1
182	326905	NEEDLE BEARING	1
183	372413	CLEVIS PIN	1
184	372498	CR. RE. TRUSS HD. ROUND NECK SCREW M6X14	1
185	372596	LEVER	1
186	372501	FLAT WASHER	2
187	339840	NUT M6	1
188	372635	CR. RE. TRUSS HD. ROUND NECK SCREW M6X15	1
189	372465	CR. RE. COUNT HD. SCREW M6X25	1
191	372455	SELF-LOCKING RING	2
192	372444	ROLLING WHEEL	2
193	372445	BEARING	2
194	373822	PC-GUARD	1

195	314474	NUT CHUCK M6	3
196	373680	CR. RE. COUNT HD. TAPPING SCREW M5X8	3
197	372496	SPRING GUARD	1
198	372460	HEX. SOC. HD. CAP BOLT M6X16	1
199	372443	ANCHOR BLOCK	1
200	372547	CR. RE. PAN HD. ROUND NECK SCREW M6X12	1
202	372542	CR. -RE. TRUSS HD. SCREW M6X8	1
203	373821	CUTTER SHAFT GUARD	1
204	372499	NUT CHUCK M6	2
205	372730	SPACER	1
206	372631	BUSH	4
207	372630	SEGMENT HANDLE	1
208	372485	CR. RE. PAN HD. SCREW & WASHER M6X16	4
209	373682	BUSH	1
210	372608	CLAMP HANDLE	1
211	372562	HEX. SOC. SET SCREW M6X12	1
212	372432	HEX. SOC. HD. CAP BOLT M5X10	1
213	372430	FLAT WASHER	1
214	372554	HEX. SOC. SET SCREW M6X10	2
215	372600	CABLE COVER	1
217	372634	CAUTION LABEL	1
218	372620	CABLE SHIELD	1
219	372487	CR. RE. PAN HD. SCREW M4X8	3
220	372417	OIL CAP	1
221	372429	HEX.SOC.TRUSS HD.SCREW M4X6	1
222	372557	HEX. WASHER HD. BOLT M8	1
223	372494	ARBOR COLLAR	2
225	372601	LAMP SOCKET	1
226	372605	LED LIGHT	1
227	372546	CR. RE. PAN HD. TAPPING SCREW D3X8	2
228	372606	INSERT	1
229	372520	SHAFT SLEEVE	1
230	372518	TORSION SPRING	1
231	372428	HEX. SOCKET HD. CAP SCREW M5X25	4
232	372565	CAUTION LABEL	1
233	373690	ARM	1
234	372627	WARNING LABEL	1
235		LED LABEL	1
237	372545	CR. RE. PAN HD. TAPPING SCREW D4X25	1
238	372526	LASER COVER	1
239	373674	CR. RE. COUNT HD. SCREW M3X6	2
240	373676	FLAT WASHER	2
241	373673	PLUNGER HOUSING	1
242	373672	LASER PLUNGER HOUSING	1
243	372527	COVERLASER_COVER	1

244	372626	LASER STICKER	1
245	372541	CR. RE. COUNT HD. SCREW M4X8	4
246	372544	CR. RE. PAN HD. TAPPING SCREW D4X16	1
247	372522	INSERT	1
248	373670	LASER SET	1
249	373671	PIVOT-SUPPORT	1
250	373679	BUTTON	2
251	373669	PIN	2
252	372621	LASER ASS'Y	1
253	373663	CR. RE. PAN HD. TAPPING SCREW D4X12	2
254	373693	SUPPORT SEAT	1
255	373692	RUBBER SLEEVE	1
256	373908	WARNING LABEL (A) (62841)	1
*258		LABEL (HIKOKI) (EUROPE)	1
259	373911	WARNING LABEL	1
*260	373415	TCT SAW BLADE 255MM-D30 HOLE-NT40	1
*262	372120	BATTERY BSL 36B18 (EUROPE,AUS,NZL)	1
*264	373923	BRACING PLATE (HIKOKI)	1
*265	373963	COLLAR (OD30)	1
		STANDARD ACCESSORIES	
503	329897	BATTERY COVER	1
*504	373912	DUST BAG	1
*505		BATTERY CHARGER (230V EUROPE PLUG)	1
508	374294		