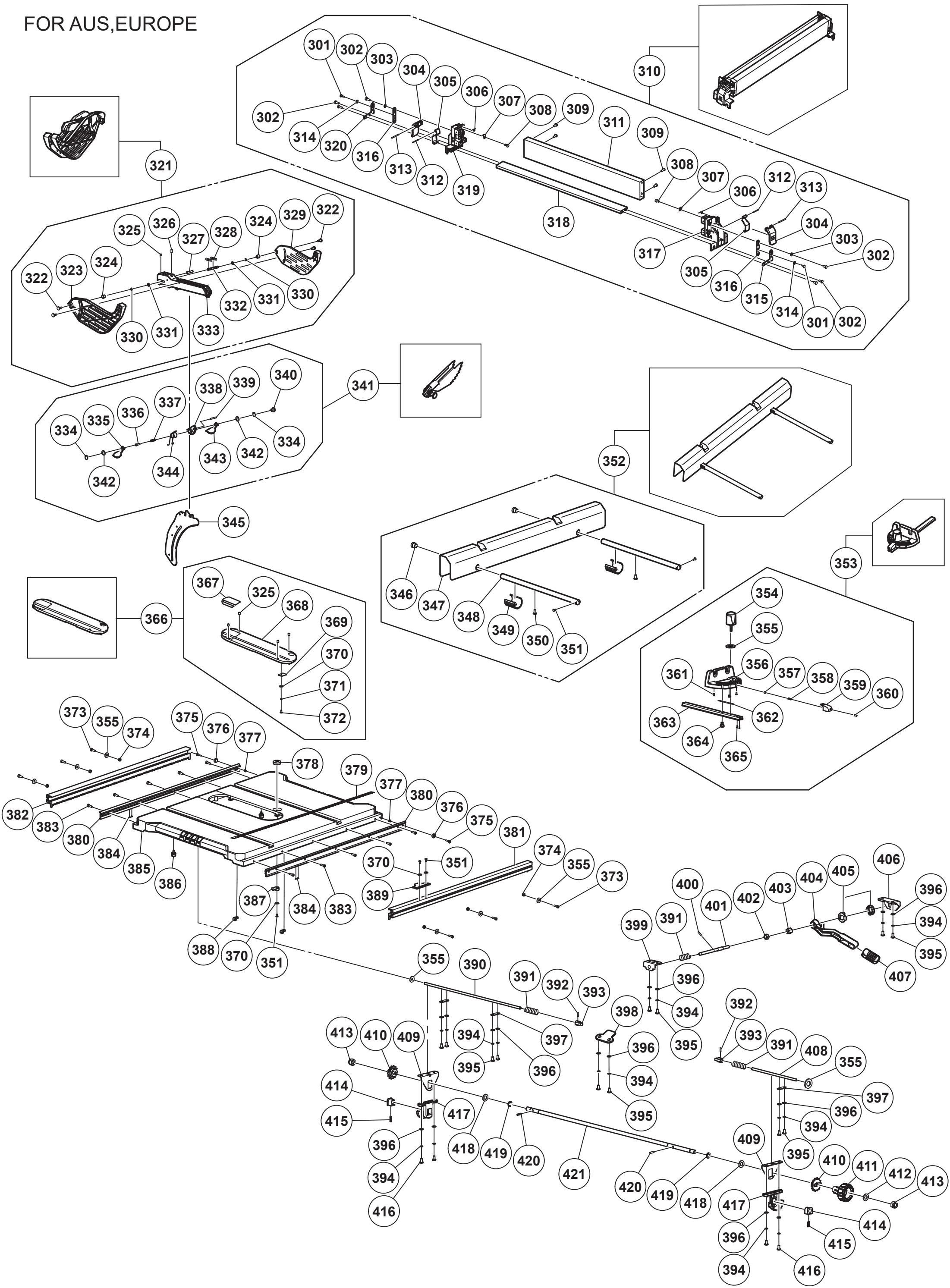
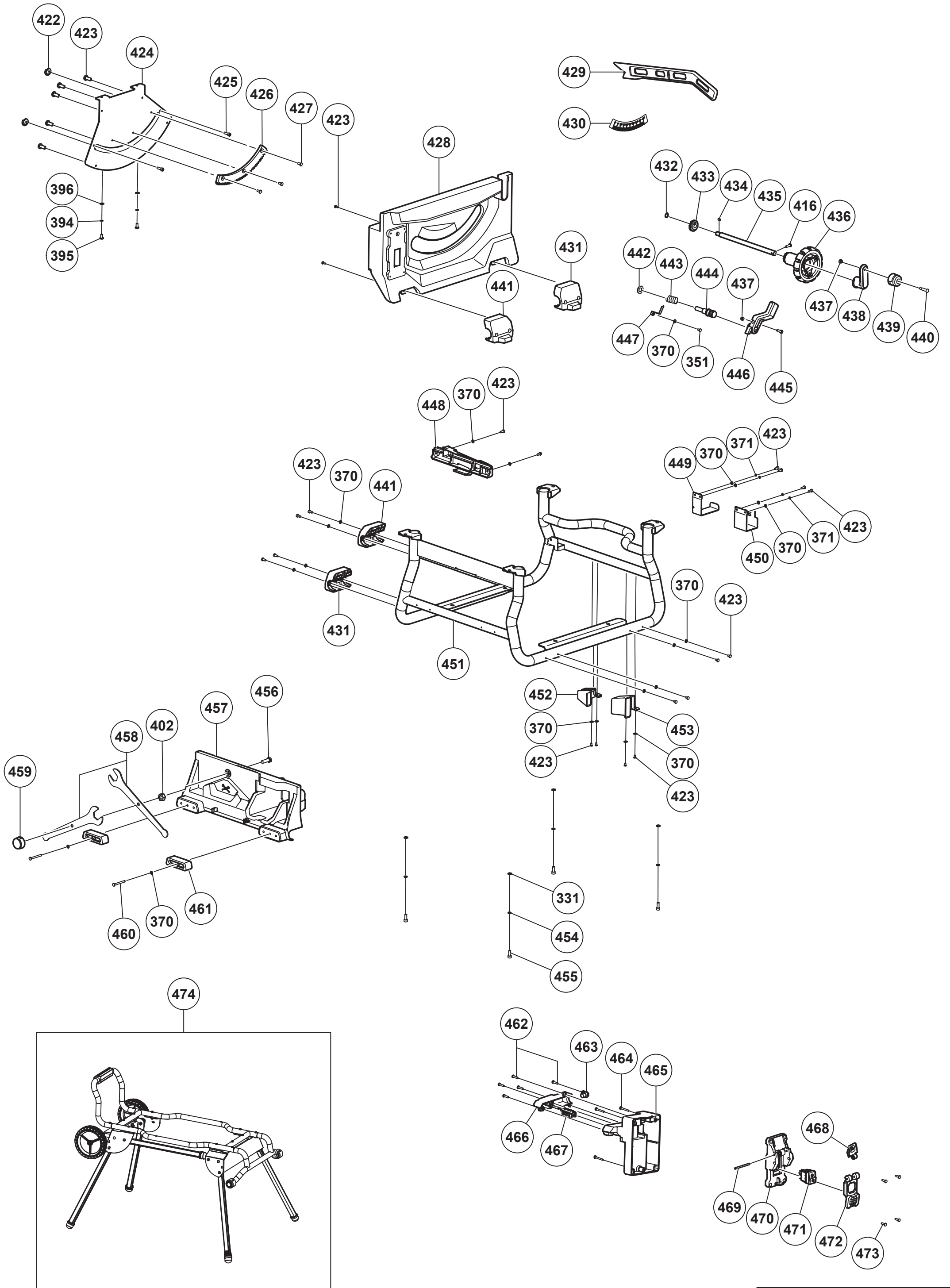
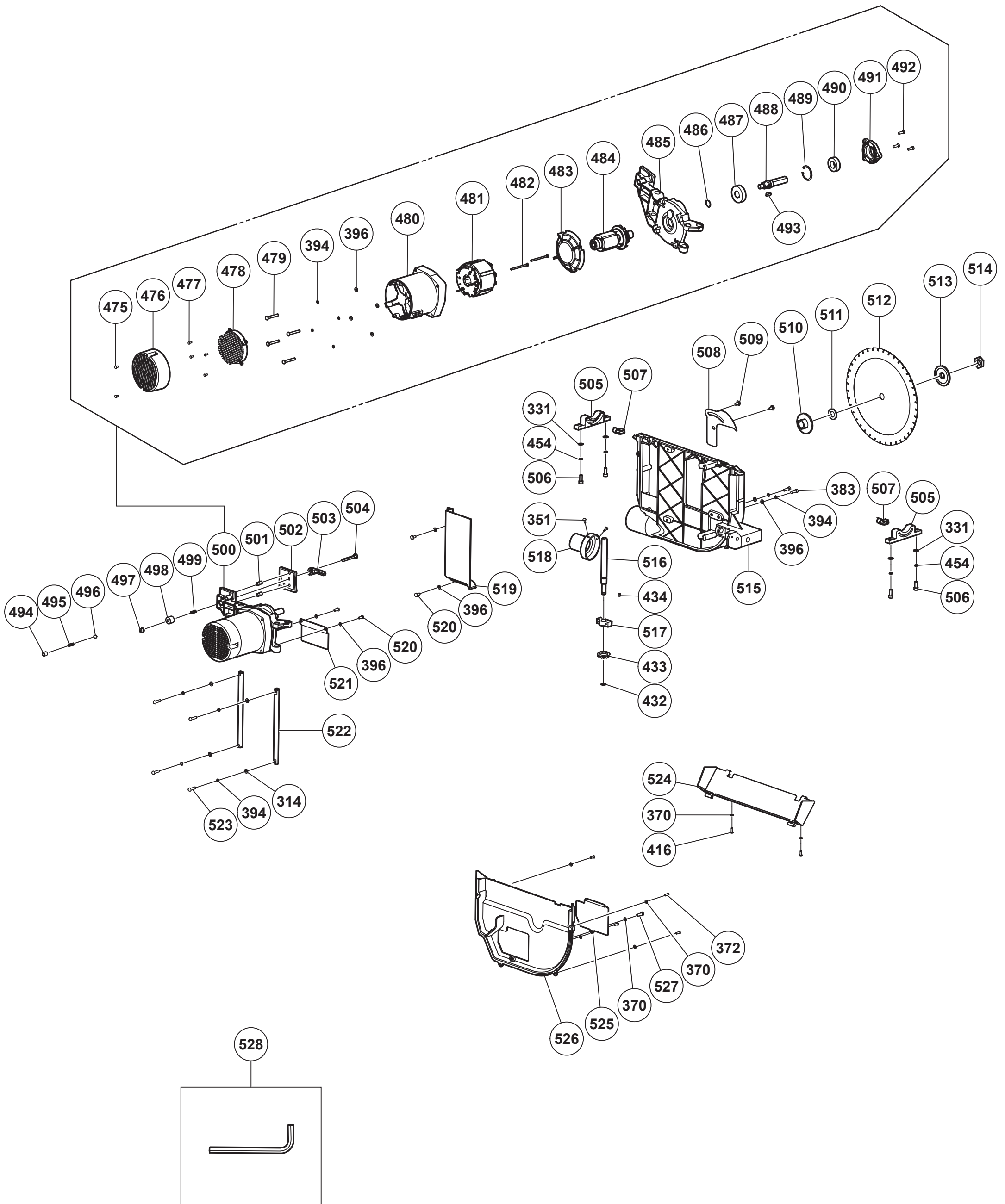


FOR AUS,EUROPE







HiKOKI
 OEM

Punkt Nr.	Code Nr.	Beschreibung	Beschreibung(Englisch)	Verwendete Anzahl	Bemerkungen
301	375829		STOP SCREW	2	FOR EUROPE,AUS
302	375828		CROSS RECESSED PAN HEAD TAPPING SCREW	6	FOR EUROPE,AUS
303	376408		BIG FLAT WASHER	2	FOR EUROPE,AUS
304	376409		LOCKING HANDLE	2	FOR EUROPE,AUS
305	376412		LOCKING PLATE	2	FOR EUROPE,AUS
306	375831		POSITIONING SPRING	2	FOR EUROPE,AUS
307	375832		LIMITATION PLATE	2	FOR EUROPE,AUS
308	376415		CROSS RECESSED PAN HEAD TAPPING SCREW	2	FOR EUROPE,AUS
309	375833		CROSS RECESSED PAN HEAD TAPPING SCREW	4	FOR EUROPE,AUS
310	376422		RIP FENCE ASS'Y	1	FOR EUROPE,AUS
311	376416		RIP FENCE	1	FOR EUROPE,AUS
312	376411		ELASTIC CYLINDRICAL PIN	2	FOR EUROPE,AUS
313	376410		ELASTIC CYLINDRICAL PIN	2	FOR EUROPE,AUS
314	376392		FLAT WASHER	6	FOR EUROPE,AUS
315	375825		FIXING PLATE (C)	1	FOR EUROPE,AUS
316	375830		FIXING PLATE (A)	2	FOR EUROPE,AUS
317	376413		RIP FENCE HOLDER (LEFT)	1	FOR EUROPE,AUS
318	376417		VICE RIP FENCE	1	FOR EUROPE,AUS
319	376414		RIP FENCE HOLDER (RIGHT)	1	FOR EUROPE,AUS
320	375823		FIXING PLATE (B)	1	FOR EUROPE,AUS
321	376419		BLADE GUARD ASS'Y	1	FOR EUROPE,AUS
322	374650		BOLT	4	FOR EUROPE,AUS
323	374651		LEFT BLADE GUARD	1	FOR EUROPE,AUS
324	374652		LATCH CAP	2	FOR EUROPE,AUS
325	374662		HEXAGON SOCKET SET SCREW	5	FOR EUROPE,AUS
326	375844		HEX. SOCKET SET SCREW WITH FLAP POINT M5	1	FOR EUROPE,AUS
327	374654		STOP PIN	1	FOR EUROPE,AUS
328	374655		BLADE GUARD SUPPORT SEAT SPRING	2	FOR EUROPE,AUS
329	374657		RIGHT BLADE GUARD	1	FOR EUROPE,AUS
330	371595		SPLIT WASHER 4	2	FOR EUROPE,AUS
331	371596		FLAT WASHER 6	10	FOR EUROPE,AUS
332	374656		SLIDING DETENT	1	FOR EUROPE,AUS
333	374653		BLADE GUARD SUPPORT SEAT	1	FOR EUROPE,AUS
334	371610		WASHER ON SHAFT 11	2	FOR EUROPE,AUS
335	374658		ANTI-KICKBACK PAWL(A)	1	FOR EUROPE,AUS
336	371601		LATCH	1	FOR EUROPE,AUS
337	371604		COMPRESSING SPRING (A)	1	FOR EUROPE,AUS
338	374659		ANTI-KICKBACK PAWL SUPPORT SEAT	1	FOR EUROPE,AUS
339	371606		SPRING PIN	1	FOR EUROPE,AUS
340	371600		KNOB	1	FOR EUROPE,AUS
341	375841		ANTI-KICKBACK PAWLS ASS'Y	1	FOR EUROPE,AUS
342	375838		WASHER	2	FOR EUROPE,AUS
343	374660		ANTI-KICKBACK PAWL(B)	1	FOR EUROPE,AUS
344	371609		ANTI-KICKBACK PAWL SPRING	1	FOR EUROPE,AUS
345	374661		RIVING KNIFE	1	FOR EUROPE,AUS
346	374665		HEXAGON SOCKET SCREW M14	2	FOR EUROPE,AUS
347	371577		EXTENSION TABLE	1	FOR EUROPE,AUS
348	371581		EXTENSION ROD	2	FOR EUROPE,AUS
349	374666		STOP COLLAR	2	FOR EUROPE,AUS
350	374667		CROSS PAN HEAD SCREW	2	FOR EUROPE,AUS
*351	371423		CROSS PAN HEAD SCREW M4X8	8	FOR EUROPE
352	376418		OUTFEED SUPPORT ASS'Y	1	FOR EUROPE,AUS
353	375845		MITER GAUGE ASS'Y	1	FOR EUROPE,AUS
354	374682		HANDLE FOR MITER GAUGE	1	FOR EUROPE,AUS
355	371541		BIG FLAT WASHER 6	9	FOR EUROPE,AUS
356	374683		MITER GAUGE	1	FOR EUROPE,AUS
357	371625		STEEL BALL	1	FOR EUROPE,AUS

Punkt Nr.	Code Nr.	Beschreibung	Beschreibung(Englisch)	Verwendete Anzahl	Bemerkungen
358	374684		COMPRESSING SPRING (B)	1	FOR EUROPE,AUS
359	374685		POINTER	1	FOR EUROPE,AUS
360	371627		HEX. SOCKET SET SCREW WITH FLAT POINT M6	1	FOR EUROPE,AUS
361	371643		FRICTION PAD	3	FOR EUROPE,AUS
362	371631		ADJUSTING SHIM	1	FOR EUROPE,AUS
363	371628		BAR FOR MITER GAUGE	1	FOR EUROPE,AUS
364	371629		BOLT (A)	1	FOR EUROPE,AUS
365	371475		CROSS RECESSED PAN HEAD TAPPING SCREW	2	FOR EUROPE,AUS
366	376388		TABLE INSERT ASS'Y	1	FOR EUROPE,AUS
367	376387		BASE PLATE	1	FOR EUROPE,AUS
368	376381		TABLE INSERT	1	FOR EUROPE,AUS
369	374664		TABLE INSERT LOCK PLATE	1	FOR EUROPE,AUS
370	371424		FLAT WASHER 4	32	FOR EUROPE,AUS
371	371443		SPRIN WASHER 4	5	FOR EUROPE,AUS
372	371506		CROSS PAN HEAD SCREW M4X10	5	FOR EUROPE,AUS
373	376384		SOCKET HEAD CAP SCREW	6	FOR EUROPE,AUS
374	371542		HEX. NUT M6	6	FOR EUROPE,AUS
375	371549		ADJUSTING BOLT	2	FOR EUROPE,AUS
376	371550		ADJUSTING WHEEL	2	FOR EUROPE,AUS
377	371552		LOCK NUT M4	2	FOR EUROPE,AUS
*378	376390		TABLE INSERT LOCKING BLOCK (A)	1	FOR EUROPE
379	376389		SCALE LABEL	1	FOR EUROPE,AUS
380	371551		RAIL	2	FOR EUROPE,AUS
381	376383		SLIDING RAIL (B)	1	FOR EUROPE,AUS
382	376382		SLIDING RAIL (A)	1	FOR EUROPE,AUS
383	371546		HEX. SOCKET CAP SCREW M5X16	12	FOR EUROPE,AUS
384	371548		FRICTION PAD	2	FOR EUROPE,AUS
385	374669		WORKING TABLE	1	FOR EUROPE,AUS
386	371585		KNOB	2	FOR EUROPE,AUS
387	374671		TABLE INSERT LOCKING BLOCK (B)	1	FOR EUROPE,AUS
388	374674		MOVABLE BAFFLE FIXED SEAT	2	FOR EUROPE,AUS
389	371545		POINTER	1	FOR EUROPE,AUS
390	371527		REAR LOCKING ROD (B)	1	FOR EUROPE,AUS
391	371526		COMPRESSION SPRING	3	FOR EUROPE,AUS
392	371528		SPRING PIN	2	FOR EUROPE,AUS
393	371529		SLIDER (A)	2	FOR EUROPE,AUS
394	374691		SPRING WASHER	28	FOR EUROPE,AUS
395	374692		CROSS PAN HEAD SCREW	14	FOR EUROPE,AUS
396	374690		FLAT WASHER	28	FOR EUROPE,AUS
397	371525		CLAMP BOARD	3	FOR EUROPE,AUS
398	375803		BAFFLE	1	FOR EUROPE,AUS
399	374689		LOCATION-LIMTED PLATE (B)	1	FOR EUROPE,AUS
400	371543		SPRING PIN	1	FOR EUROPE,AUS
401	371533		FRONT LOCKING ROD	1	FOR EUROPE,AUS
402	371434		HEX. NUT M8	2	FOR EUROPE,AUS
403	374688		LONGER NUT M8 (B)	1	FOR EUROPE,AUS
404	374687		LOCKING LEVER	1	FOR EUROPE,AUS
405	371539		LOCKING BLOCK	2	FOR EUROPE,AUS
406	374686		LOCATION-LIMTED PLATE (A)	1	FOR EUROPE,AUS
407	371537		SHEATH FOR LOCKING LEVER	1	FOR EUROPE,AUS
408	371531		REAR LOCKING ROD (A)	1	FOR EUROPE,AUS
409	371521		ADJUSTING SUPPORT SEAT (A)	2	FOR EUROPE,AUS
410	374696		ADJUSTING GEAR	2	FOR EUROPE,AUS
411	376385		ROTATION KNOB	1	FOR EUROPE,AUS
412	371515		FLAT WASHER	1	FOR EUROPE,AUS
413	371514		HEX. NUT M10	2	FOR EUROPE,AUS
414	371518		ADJUSTING SUPPORT SEAT (C)	2	FOR EUROPE,AUS
415	371519		ADJUSTING SPRING	2	FOR EUROPE,AUS
416	374777		CROSS PAN HEAD SCREW	7	FOR EUROPE,AUS

Punkt Nr.	Code Nr.	Beschreibung	Beschreibung(Englisch)	Verwendete Anzahl	Bemerkungen
417	371520		ADJUSTING SUPPORT SEAT (B)	2	FOR EUROPE,AUS
418	374697		BIG FLAT WASHER	2	FOR EUROPE,AUS
419	371595		SPLIT WASHER 4	2	FOR EUROPE,AUS
420	371524		SPRING PIN	2	FOR EUROPE,AUS
421	376386		ADJUSTING ROD	1	FOR EUROPE,AUS
422	374729		ECCENTRIC LOCATION-LIMITED	2	FOR EUROPE,AUS
423	371475		CROSS RECESSED PAN HEAD TAPPING SCREW	20	FOR EUROPE,AUS
424	375820		BACK PLATE	1	FOR EUROPE,AUS
425	374743		HEXAGON SOCKET HEAD CAP SCREW M5X10	2	FOR EUROPE,AUS
426	374731		ANGLE ADJUSTING BASE	1	FOR EUROPE,AUS
427	371476		CROSS RECESSED COUNTERSUNK HEAD SCREW	3	FOR EUROPE,AUS
428	371464		FRONT PANEL	1	FOR EUROPE,AUS
429	371532		PUSH STICKER	1	FOR EUROPE,AUS
430	371463		BEVEL LABEL	1	FOR EUROPE,AUS
431	371426		ADJUSTABLE FOOT (B)	2	FOR EUROPE,AUS
432	371610		WASHER ON SHAFT 11	2	FOR EUROPE,AUS
433	374709		BEVEL GEAR	2	FOR EUROPE,AUS
434	371487		A TYPE KEY	2	FOR EUROPE,AUS
435	374737		UP AND DOWN ADJUSTING ROD	1	FOR EUROPE,AUS
436	371460		ROTATION WHEEL	1	FOR EUROPE,AUS
437	371455		HEX. NUT M5	2	FOR EUROPE,AUS
438	374738		ROTATION HANDLE	1	FOR EUROPE,AUS
439	374739		CRANK HANDLE KNOB	1	FOR EUROPE,AUS
440	374740		HANDLE SCREW	1	FOR EUROPE,AUS
441	371427		ADJUSTABLE FOOT (A)	2	FOR EUROPE,AUS
442	374741		WASHER SLEEVE	1	FOR EUROPE,AUS
443	374742		LOCKING COMPRESSION SPRING	1	FOR EUROPE,AUS
444	371482		COMPRESSION SCEW ROD	1	FOR EUROPE,AUS
445	371453		HEXAGON SOCKET HEAD CAP SCREW M5X12	1	FOR EUROPE,AUS
446	371454		LOCKING HANDLE	1	FOR EUROPE,AUS
447	371462		45° POINTER	1	FOR EUROPE,AUS
448	374735		MITER GAUGE STORAGE	1	FOR EUROPE,AUS
449	371442		BLADE GUARD STORAGE (B)	1	FOR EUROPE,AUS
450	371446		BLADE GUARD STORAGE (A)	1	FOR EUROPE,AUS
451	374736		FRAME ASS'Y	1	FOR EUROPE,AUS
452	371444		PUSH STICKER STORAGE (A)	1	FOR EUROPE,AUS
453	371445		PUSH STICKER STORAGE (B)	1	FOR EUROPE,AUS
454	371429		SPRING WASHER	8	FOR EUROPE,AUS
455	371428		HEXAGON SOCKET HEAD CAP SCREW M6X16	4	FOR EUROPE,AUS
456	374720		HEXAGON BOLT	1	FOR EUROPE,AUS
457	374719		BATTERY PANEL	1	FOR EUROPE,AUS
458	374718		BLADE WRENCH	2	FOR EUROPE,AUS
459	374717		LOCKING KNOB	1	FOR EUROPE,AUS
460	374721		CROSS RECESSED PAN HEAD TAPPING SCREW	2	FOR EUROPE,AUS
461	374722		SUPPORT PAD	2	FOR EUROPE,AUS
462	376421		CROSS RECESSED PAN HEAD TAPPING SCREW	5	FOR EUROPE,AUS
463	374726		WIRE CLIP	1	FOR EUROPE,AUS
464	374727		CROSS RECESSED PAN HEAD TAPPING SCREW	3	FOR EUROPE,AUS
465	374728		BATTERY CONNECTOR (B)	1	FOR EUROPE,AUS
466	374724		BATTERY CONNECTOR (A)	1	FOR EUROPE,AUS
467	375364		BUTTERY TERMINAL	1	FOR EUROPE,AUS
468	371635		SWITCH LOCK	1	FOR EUROPE,AUS
469	371461		ROTATION PIN	1	FOR EUROPE,AUS
470	374733		SWITCH FIXING PLATE	1	FOR EUROPE,AUS
471	374734		SWITCH HY52-7	1	FOR EUROPE,AUS
472	371634		SWICTH FLAP	1	FOR EUROPE,AUS
473	371451		CROSS RECESSED PAN HEAD TAPPING SCREW	4	FOR EUROPE,AUS
*474	376510		STAND ASS'Y	1	FOR EUROPE
475	374756		SELF-TAPPING SCREW	2	FOR EUROPE,AUS

Punkt Nr.	Code Nr.	Beschreibung	Beschreibung(Englisch)	Verwendete Anzahl	Bemerkungen
476	374757		REAR END CAP	1	FOR EUROPE,AUS
477	374755		SELF-TAPPING SCREW	4	FOR EUROPE,AUS
478	374758		DRIVER ASS'Y	1	FOR EUROPE,AUS
479	374753		CROSS RECESS PAN HEAD SCREW M5X35	4	FOR EUROPE,AUS
480	374754		MOTOR HOUSING	1	FOR EUROPE,AUS
481	374752		STATOR ASS'Y	1	FOR EUROPE,AUS
482	374751		SELF-TAPPING SCREW	2	FOR EUROPE,AUS
483	374759		FAN COVER	1	FOR EUROPE,AUS
484	374750		ROTOR ASS'Y	1	FOR EUROPE,AUS
485	374749		FRONT END COVER	1	FOR EUROPE,AUS
486	372384		SHAFT RING I6	1	FOR EUROPE,AUS
487	374760		GEAR	1	FOR EUROPE,AUS
488	372381		OUTPUT SHAFT	1	FOR EUROPE,AUS
489	372380		RING	1	FOR EUROPE,AUS
490	372369		BEARING 6003-2RS	1	FOR EUROPE,AUS
491	372378		GEAR COVER	1	FOR EUROPE,AUS
492	375407		COUNTERSUNK HD. SCREW WITH CROSS GROOVE	3	FOR EUROPE,AUS
493	372382		HALF ROUND KEY	1	FOR EUROPE,AUS
494	371615		HEX. SOCKET SET SCREW WITH FLAT POINT	1	FOR EUROPE,AUS
495	374715		HOLDER SPRING	1	FOR EUROPE,AUS
496	371613		STEEL BALL	1	FOR EUROPE,AUS
497	371411		LOCK NUT M6	1	FOR EUROPE,AUS
498	374714		CLAMPING BUSH	1	FOR EUROPE,AUS
499	374693		SPRING	1	FOR EUROPE,AUS
500	374712		MOTOR ASS'Y	1	FOR EUROPE,AUS
501	371602		CYLINDRICAL PIN	2	FOR EUROPE,AUS
502	371603		CAM PRESSING PLATE	1	FOR EUROPE,AUS
503	371599		ECCENTRIC HAND	1	FOR EUROPE,AUS
504	374713		SPECIAL BOLT	1	FOR EUROPE,AUS
505	374703		TRUNNION HOLDER	2	FOR EUROPE,AUS
506	374704		HEXAGON SOCKET HEAD CAP SCREW	4	FOR EUROPE,AUS
507	374705		TRUNNION SLIDER BLOCK	2	FOR EUROPE,AUS
508	375806		SAFETY SHIELD	1	FOR EUROPE,AUS
509	376400		BOLT	2	FOR EUROPE,AUS
510	371496		BLADE INNER FLANGE	1	FOR EUROPE,AUS
511	376395		VARIABLE DIAMETER RING	1	FOR EUROPE,AUS
512	376431		BLADE	1	FOR EUROPE,AUS
513	371502		BLADE OUTER FLANGE	1	FOR EUROPE,AUS
514	371503		ARBOR NUT	1	FOR EUROPE,AUS
*515	376398		TRUNNION	1	FOR EUROPE
516	374707		UP AND DOWN ADJUSTING ROD	1	FOR EUROPE,AUS
517	374708		ADJUSTING SEAT	1	FOR EUROPE,AUS
*518	376401		DUST ADAPTER	1	FOR EUROPE
519	374710		COVER PLATE	1	FOR EUROPE,AUS
520	376396		CROSS RECESS PAN HEAD SCREW	4	FOR EUROPE,AUS
521	376393		BLADE PROTECTION PLATE	1	FOR EUROPE,AUS
522	374716		GUIDE PILLAR	2	FOR EUROPE,AUS
523	371494		CROSS PAN HEAD SCREW M5X20	4	FOR EUROPE,AUS
524	374699		MOVING BAFFLE	1	FOR EUROPE,AUS
525	376391		SMALL BAFFLE	1	FOR EUROPE,AUS
526	374701		TRUNNION PROTECTION GUARD	1	FOR EUROPE,AUS
*527	376396		CROSS RECESS PAN HEAD SCREW	1	FOR EUROPE
528	371646		HEX. KEY 2.5MM	1	FOR EUROPE,AUS