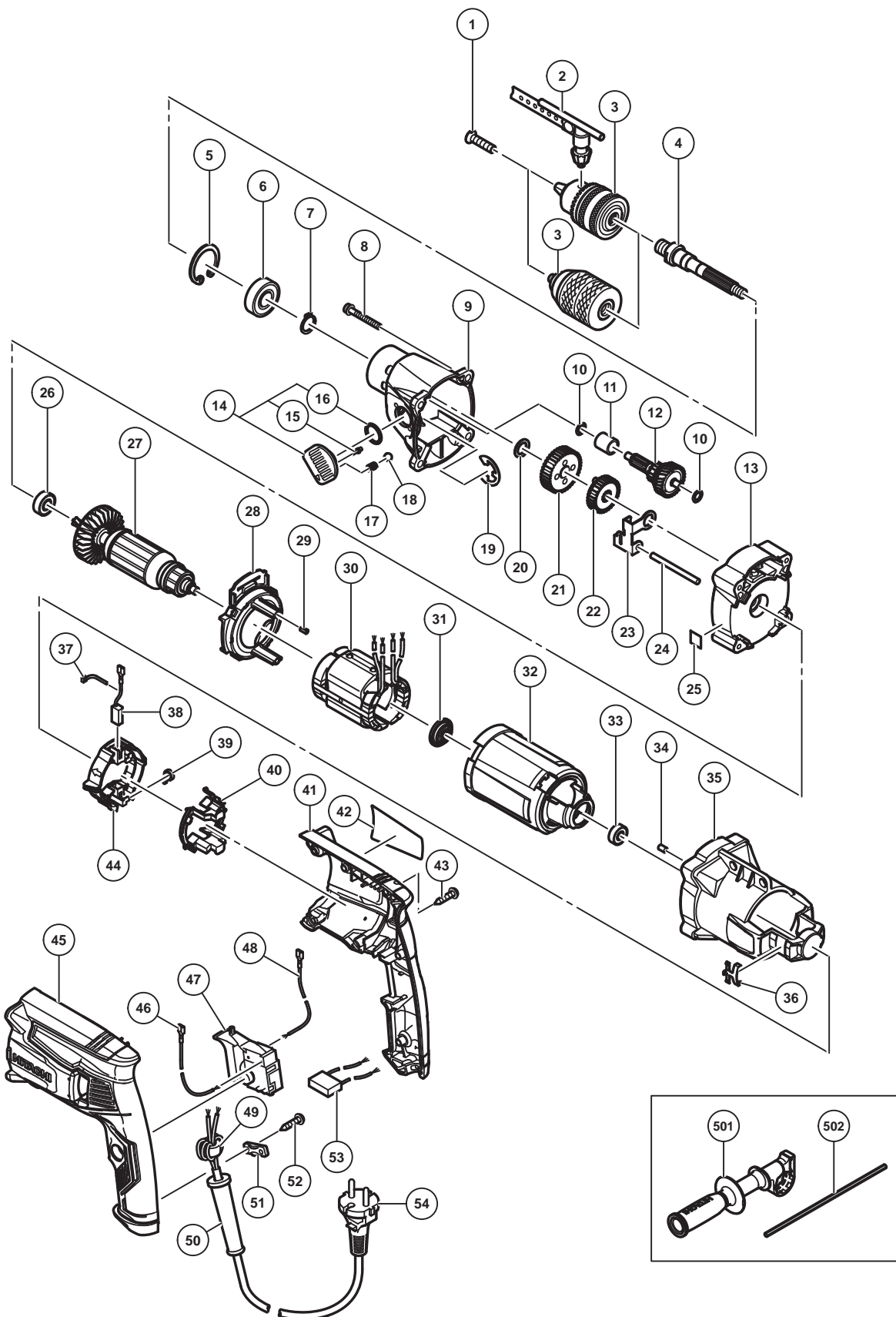


## ELECTRIC TOOL PARTS LIST

■ DRILL  
Model D 13VL

2015-7-6  
(E1)



**PARTS**

D 13VL

ITEM NO.	CODE NO.	DESCRIPTION	NO. USED	REMARKS
1	995344	FLAT HD. SCREW (A) (LEFT HAND) M6 X 25	1	
* 2	987576	CHUCK WRENCH FOR 13VLB-D,13VLR-D	1	FOR NZL,SAF,CHN,TPE
* 3	321814	DRILL CHUCK 13VLRB-D	1	INCLUD.1,2 FOR NZL,SAF,CHN,TPE
* 3	319546	DRILL CHUCK 13VLRN (KEYLESS TYPE)	1	
4	339139	SPINDLE (D)	1	
5	939556	RETAINING RING FOR D35 HOLE (10 PCS.)	1	
6	6202DD	BALL BEARING 6202DD	1	
7	939544	RETAINING RING FOR D15 SHAFT (10 PCS.)	1	
8	338764	HEX. SOCKET HD. BOLT (W/FLANGE) M5 X 45	4	
9	339137	GEAR COVER (A)	1	
10	322852	WASHER (B)	2	
11	338744	DISTANCE PIECE	1	
12	338743	SECOND PINION (A)	1	
13	339276	INNER COVER (A)	1	
14	338737	SHIFT LEVER ASS'Y	1	INCLUD.15,16
15	322848	SHIFT PIN	1	
16	878885	O-RING (S-18)	1	
17	981328	SPRING (H)	1	
18	335299	STEEL BALL D3.5 (10 PCS.)	1	
19	323048	RETAINING RING (E-TYPE) FOR D15 SHAFT	1	
20	322799	WASHER (C)	1	
21	338740	LOW SPEED GEAR	1	
22	338741	HIGH SPEED GEAR	1	
23	338742	SHIFT ARM	1	
24	984104	PIN D5	1	
25		LABEL (SLIP CLUTCH)	1	
26	608DDM	BALL BEARING 608DD	1	
* 27	361003B	ARMATURE 110V	1	
* 27	361003D	ARMATURE 220V	1	
* 27	361003E	ARMATURE 230V	1	
* 27	361003F	ARMATURE 240V	1	
28	338766	FAN GUIDE (B)	1	
29	338755	RUBBER BUSH	2	
* 30	340906B	STATOR 110V	1	
* 30	340906D	STATOR 220V	1	
* 30	340906E	STATOR 230V	1	
* 30	340906F	STATOR 240V	1	
31	338751	DUST SEAL	1	
32	338750	STATOR HOLDER	1	
33	607VVC	BALL BEARING 607VV	1	
34	931701	BEARING LOCK	1	
35	338749	HOUSING (B)	1	
36	338761	CLICK PLATE	2	
37	331759	BAND	2	
38	999088	CARBON BRUSH (1 PAIR)	2	
39	339292	SPRING	2	
40	338760	BRUSH COVER	1	
41	338753	HANDLE COVER (B)	1	
42		NAME PLATE	1	
43	301653	TAPPING SCREW (W/FLANGE) D4 X 20 (BLACK)	7	

**PARTS**

D 13VL

ITEM NO.	CODE NO.	DESCRIPTION	NO. USED	REMARKS		
44	338759	BRUSH HOLDER	1			
45	338752	HANDLE COVER (A)	1			
46	338758	INTERNAL WIRE L100	1			
47	338756	SWITCH	1			
48	338757	INTERNAL WIRE L180	1			
*	49	334379	FERRITE CORE	1	EXCEPT FOR TPE	
*	50	953327	CORD ARMOR D8.8	1		
*	50	938051	CORD ARMOR D10.1	1		
	51	937631	CORD CLIP	1		
	52	984750	TAPPING SCREW (W/FLANGE) D4 X 16	2		
*	53	997174	NOISE SUPPRESSOR	1	EXCEPT FOR TPE	
*	54	500409Z	CORD	1	(CORD ARMOR D8.8)	
*	54	500439Z	CORD	1	(CORD ARMOR D8.8) FOR AUS,NZL	
*	54	500435Z	CORD	1	(CORD ARMOR D8.8) FOR GBR (230V)	
*	54	500461Z	CORD	1	(CORD ARMOR D8.8) FOR GBR (110V)	
*	54	500468Z	CORD	1	(CORD ARMOR D8.8) FOR CHN	
*	54	323974	CORD	1	(CORD ARMOR D10.1) FOR TPE	

**STANDARD ACCESSORIES**

ITEM NO.	CODE NO.	DESCRIPTION	NO. USED	REMARKS	
501	338768	SIDE HANDLE	1		
502	303709	DEPTH GAUGE	1		