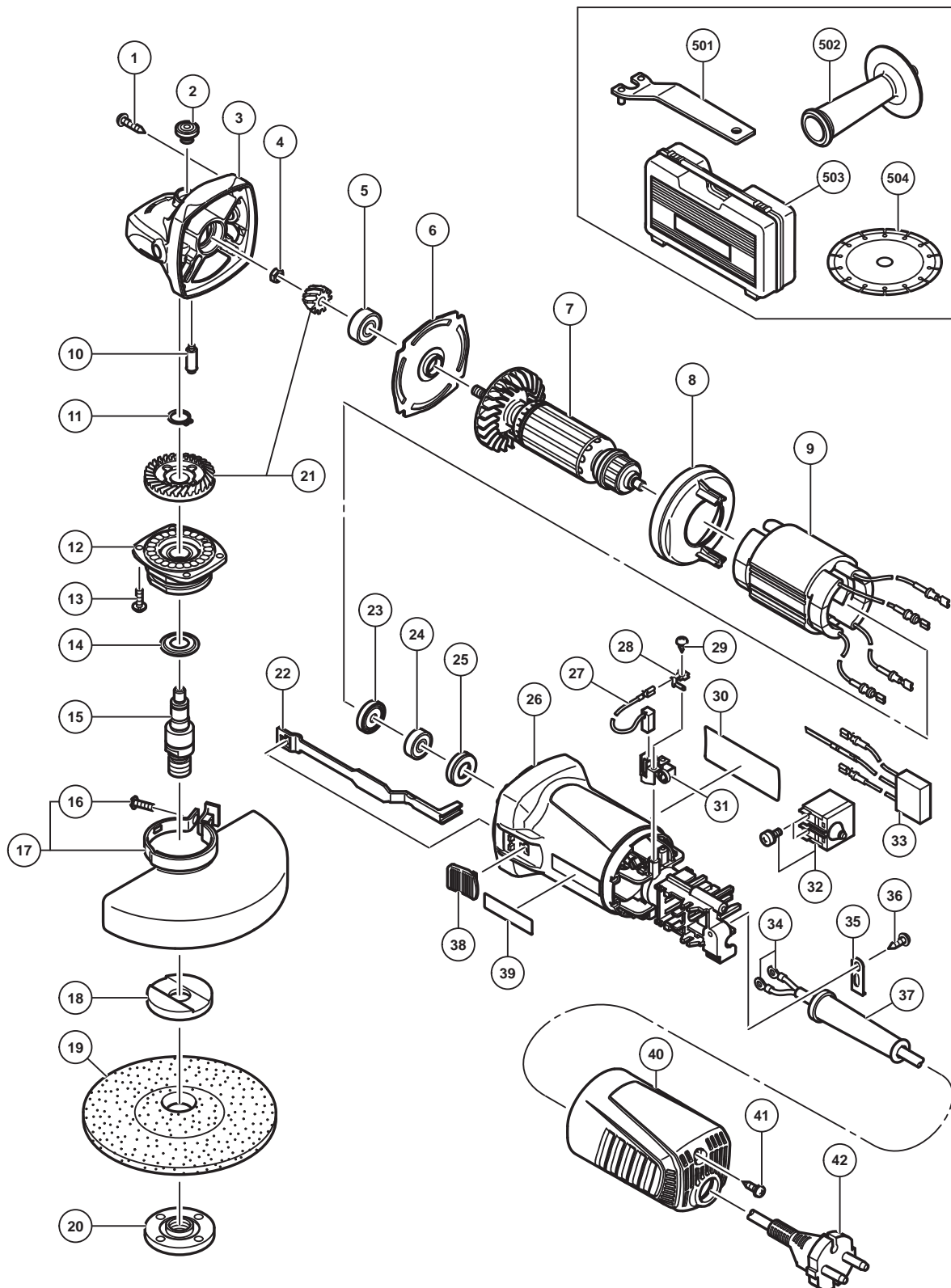


ELECTRIC TOOL PARTS LIST

■ DISC GRINDER
Model G 13SR4

2015 · 7 · 1
(E1)



PARTS

G 13SR4

ITEM NO.	CODE NO.	DESCRIPTION	NO. USED	REMARKS
1	328643	TAPPING SCREW (W/FLANGE) D4 X 23 (BLACK)	4	
2	301944	PUSHING BUTTON	1	
3	339146	GEAR COVER ASS'Y	1	INCLUD.2,10
4	309191	SPECIAL NUT M6	1	
5	338337	BALL BEARING 608S	1	
6	338850	BEARING HOLDER	1	
* 7	361016C	ARMATURE 110V	1	
* 7	361016E	ARMATURE 220V-240V	1	
8	338853	FAN GUIDE	1	
* 9	340016C	STATOR 110V-127V	1	
* 9	340016E	STATOR 220V-230V	1	
10	301943	LOCK PIN	1	
11	316487	RETAINING RING FOR D11 SHAFT	1	
12	338849	PACKING GLAND	1	
13	328628	SEAL LOCK SCREW (W/WASHER) M4 X 12	4	
14	328185	WASHER (A)	1	
15	330700	SPINDLE	1	
16	308386	MACHINE SCREW (W/SP. WASHER) M5 X 16 (BLACK)	1	
17	338845	WHEEL GUARD ASS'Y	1	INCLUD.16
18	937817Z	WHEEL WASHER	1	
* 19	316822	D. C. WHEELS 125MM A36Q (25 PCS.)	1	FOR AUS,NZL,SAF,VIE,MAL,SIN,UAE
20	337329	WHEEL NUT M14	1	
21	339265	GEAR AND PINION SET	1	
22	338855	SLIDE BAR	1	
23	321722	DUST SEAL	1	
24	339145	BALL BEARING 626ZZ	1	
25	309929	RUBBER BUSHING	1	
26	339140	HOUSING	1	
27	999067	CARBON BRUSH 6.5 X 7.5 X 14 (1 PAIR)	2	
28	339185	TAB TERMINAL	2	
29	328210	TAPPING SCREW D3 X 8	4	
30		NAME PLATE	1	
31	333844	BRUSH HOLDER	2	
32	339149	PUSHING BUTTON SWITCH	1	
* 33	339147	NOISE SUPPRESSOR 220V-240V	1	FOR EUROPE,AUS,NZL,RUS,SAF,CHN
34	980063	TERMINAL	2	
* 35	338334	CORD CLIP	1	
* 35	338333	CORD CLIP	1	FOR SIN (110V),UAE (110V)
36	305720	TAPPING SCREW (W/FLANGE) D4 X 12	1	
* 37	953327	CORD ARMOR D8.8	1	
* 37	938051	CORD ARMOR D10.1	1	
38	338854	SLIDE SWITCH KNOB	1	
39		HITACHI LABEL	1	
40	339141	TAIL COVER	1	
41	305812	TAPPING SCREW (W/FLANGE) D4 X 16 (BLACK)	1	
* 42	500409Z	CORD	1	(CORD ARMOR D8.8)
* 42	500436Z	CORD	1	(CORD ARMOR D8.8) FOR MAL, SIN (230V),UAE (230V)
* 42	500201Z	CORD	1	(CORD ARMOR D10.1) FOR SIN (110V), UAE (110V)

PARTS

G 13SR4

ITEM NO.	CODE NO.	DESCRIPTION	NO. USED	REMARKS
*	42	500439Z	CORD	1 (CORD ARMOR D8.8) FOR AUS,NZL
*	42	500468Z	CORD	1 (CORD ARMOR D8.8) FOR CHN

STANDARD ACCESSORIES

ITEM NO.	CODE NO.	DESCRIPTION	NO. USED	REMARKS
	501	938332Z	WRENCH	1
	502	30214Z	SIDE HANDLE	1
*	503	339263	CASE	1 FOR EUROPE,AUS,NZL
*	504		DIAMOND CUTTER 125MM-D22.2 HOLE	1 FOR EUROPE,RUS SUPPLIED WITH ITEM NO.601

OPTIONAL ACCESSORIES

ITEM NO.	CODE NO.	DESCRIPTION	NO. USED	REMARKS
*	601	994325	DIAMOND WHEEL (SEGMENT) 125MM-D22.2 HOLE	1 FOR EUROPE,RUS
	602	937826Z	WASHER NUT	1
	603	937825Z	RUBBER PAD	1
	604	314062	SANDING DISCS 125MM C-P16 (10 PCS.)	1
	605	314063	SANDING DISCS 125MM C-P20 (10 PCS.)	1
	606	314064	SANDING DISCS 125MM C-P24 (10 PCS.)	1
	607	314065	SANDING DISCS 125MM C-P30 (10 PCS.)	1
	608	314066	SANDING DISCS 125MM C-P36 (10 PCS.)	1
	609	314067	SANDING DISCS 125MM C-P40 (10 PCS.)	1
	610	314068	SANDING DISCS 125MM C-P50 (10 PCS.)	1
	611	314069	SANDING DISCS 125MM C-P60 (10 PCS.)	1
	612	314070	SANDING DISCS 125MM C-P80 (10 PCS.)	1
	613	314071	SANDING DISCS 125MM C-P100 (10 PCS.)	1
	614	314072	SANDING DISCS 125MM C-P120 (10 PCS.)	1
*	615	333840	TOOLLESS WHEEL GUARD 125MM	1 FOR EUROPE