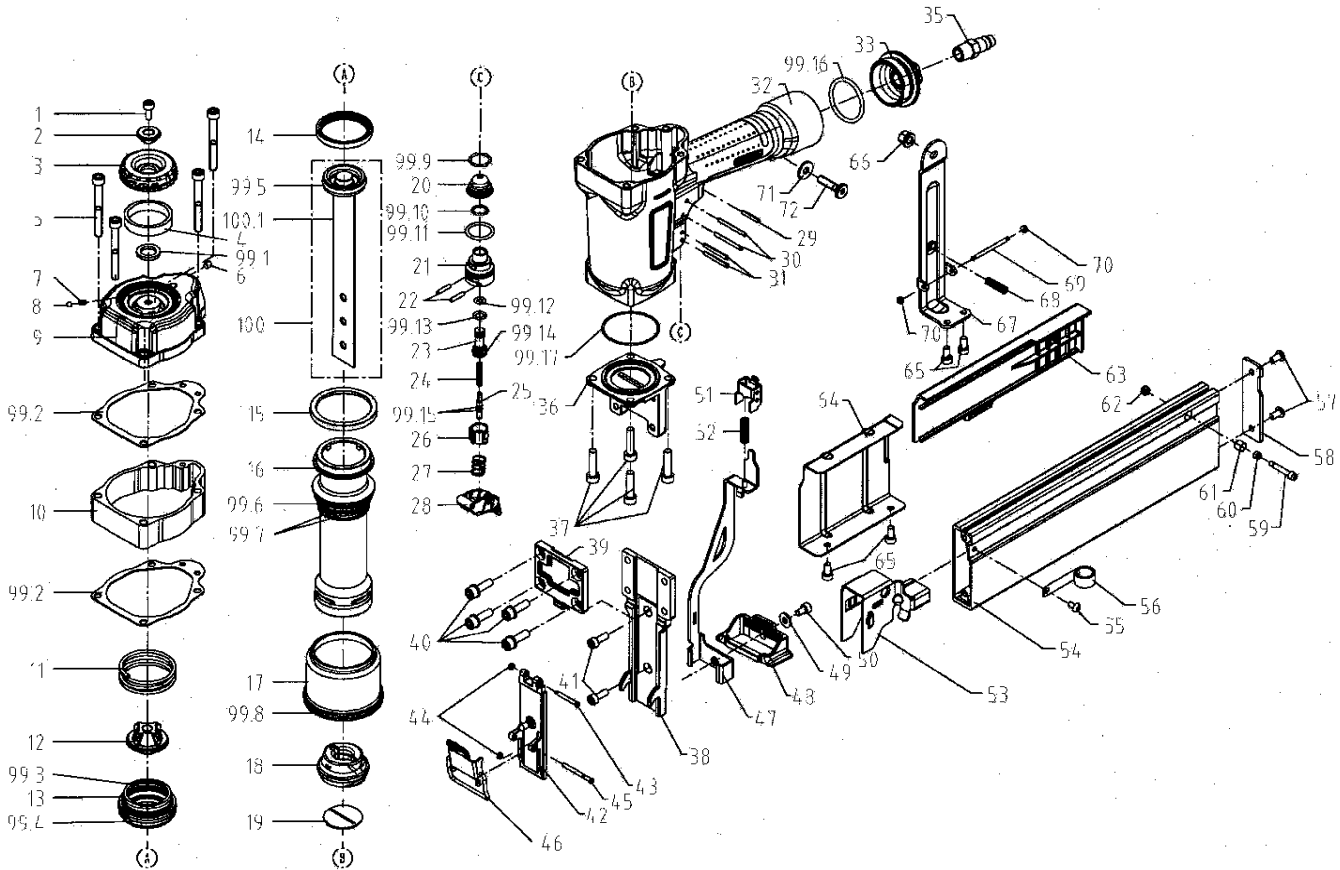


Agrafeuse 26/75 P1 :



Repère	Code	Français	English	Deutsch
1	12B00221	Vis	Screw	Schraube
2	12B00173	Entretoise	Ring	Distanzscheibe
3	12B00380	Défecteur	Deflector	Abdeckplatte
4	12B00087	Silencieux	Silencer	Schalldämpfer
5	12B03222	Vis C HC M6-55	Screw	Schraube
6	12B00205	Vis A HC M5-5	Screw	Gewindestift
7	12B00175	Ressort	Spring	Druckfeder
8	12B00219	Bille	Steel ball	Verschlusskugel
9	12B03223	Tête	Head cap	Kopfplatte
10	12B03224	Entretoise	Spacer	Zwischenteil
11	12B00296	Ressort	Spring	Druckfeder
12	12B02189	Amortisseur	Seal	Federlager
13	12B02190	Valve	Head valve	Kopfventil
14	12B00310	Bague	Press ring	Stützring
15	12B02191	Bague	Press ring	Haltering
16	12B03225	Cylindre	Cylinder	Zylinder
17	12B03226	Entretoise	Distance ring	Distanzring
18	12B02503	Amortisseur	Bumper	Puffer
19	12B02818	Plaque de guidage	Driver guide	Trieberführung
20	12B00535	Couvercle	Cover plunger	Ventistangenführung
21	12B00532	Servo cde A	Plunger cap	Ventilbuchse
22	12B00496	Goupille	Pin	Zylinderstift
23	12B00502	Servo cde B	Valve plunger	Ventilstange
24	12B00534	Ressort	Spring	Druckfeder
25	12B00533	Tige de servo cde	Valve pin	Ventilstift
26	12B00531	Couvercle de servo cde	Trigger valve head	Ventilstiftführung
27	12B00384	Ressort	Spring	Druckfeder
28	12B00326	Gâchette	Trigger	Auslöser
29	12B01876	Goupille	Pin	Spannhülse
30	12B02198	Goupille	Pin	Spannhülse
31	12B00552	Goupille	Pin	Spannhülse
32	12B02454	Corps	Gun body unit	Gehäuse

33	12B02200	Couvercle	End cap	Reduzierung
35	T023901	Raccord	Nipple	Einstecknippel
36	12B03227	Pied de cylindre	Base	Gehäuseboden
37	12B01223	Vis C HC M6-25	Screw	Schraube
38	12B03228	Guide couteau	Driver guide	Werkzeugplatte
39	12B03229	Plaque avant B	Driver guide cover B	Kolbensführung B
40	12B01152	Vis C HC M6-20	Screw	Schraube
41	12B00221	Vis C HC M5-12	Screw	Schraube
42	12B03230	Plaque avant	Cover plate	Abdeckplatte
43	12B03231	Goupille	Pin	Achse
44	12B00096	Anneau de retenue	Pu-ring	Befestigungsring
45	12B02464	Goupille	Pin	Achse
46	12B02820	Loquet	Lock handle unit	Spannverschluss
47	12B03232	Sécurité	Safety	Sicherungsbügel
48	12B02823	Sécurité A	Safety A	Sicherungsbügel unten
49	12B00206	Rondelle	Washer	Scheibe
50	12B02209	Vis C HC M5-8	Screw	Schraube
51	12B03233	Guide couteau	Safety guide	Sicherungsführung
52	12B03234	Ressort	Spring	Druckfeder
53	12B03235	Poussoir	Pusher	Vorschieber
54	12B03236	Magasin	Magazine	Magazin
55	12B01068	Vis B HC M4-8	Screw	Schraube
56	12B01020	Ressort	Roll spring	Rollenfeder
57	12B01177	Vis B HC M5-10	Screw	Schraube
58	12B03237	Couvercle	Magazine cap	Magazin deckel
59	12B02826	Loquet	Pusher latch	Verschlusshebel
60	12B00937	Ressort	Spring	Feder
61	12B02486	Logement	Socket	Futerring
62	12B02490	Ecrou M4 nilstop	Self locking nut	Sicherungsmutter
63	12B03238	Couvercle	Magazine cover	Magazinabdeckung
64	12B03239	Couvercle	Magazine cover	Magazinabdeckung
65	12B01736	Vis C HC M5-10	Screw	Schraube
66	12B00567	Ecrou M6 nilstop	Self locking nut	Mutter
67	12B03240	Support	Positioning sheet	Magazinhalter
68	12B01643	Ressort	Spring	Feder
69	12B00947	Goupille	Pin	Achse
70	12B01086	Joint	O-ring	O-Ring
71	12B00564	Rondelle	Washer	Scheibe
72	12B01959	Vis C HC M6-25	Screw	Schraube
99.1	12B00174	Joint	Seal ring	Dichtring
99.2	12B02188	Joint	Gasket	Dichtung
99.3	12B00321	Joint	O-ring	O-Ring
99.4	12B00323	Joint	O-ring	O-Ring
99.5	12B03242	Joint	O-ring	O-Ring
99.6	12B00869	Joint	O-ring	O-Ring
99.7	12B03243	Joint	O-ring	O-Ring
99.8	12B00874	Joint	O-ring	O-Ring
99.9	12B00556	Joint	O-ring	O-Ring
99.10	12B00557	Joint	O-ring	O-Ring
99.11	12B00213	Joint	O-ring	O-Ring
99.12	12B00212	Joint	O-ring	O-Ring
99.13	12B00565	Joint	O-ring	O-Ring
99.14	12B00209	Joint	O-ring	O-Ring
99.15	12B00213	Joint	O-ring	O-Ring
99.16	12B01966	Joint	O-ring	O-Ring
99.17	12B00840	Joint	O-ring	O-Ring
100	12B03244	Piston + joint	Driver unit + O-ring	Kolben + O-Ring
100.1	12B03245	Piston	Driver unit	Kolben