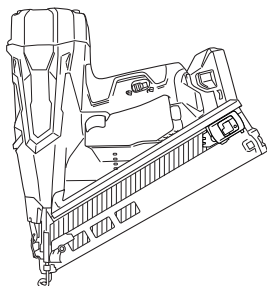
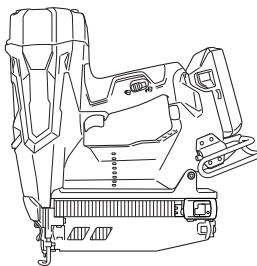


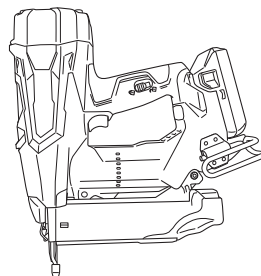
NT 1865DBAL • NT 1865DBSL • NT 1850DBSL



NT 1865DBAL



NT 1865DBSL



NT 1850DBSL



- (en) Handling instructions
- (de) Bedienungsanleitung
- (fr) Mode d'emploi
- (it) Istruzioni per l'uso
- (nl) Gebruiksaanwijzing
- (es) Instrucciones de manejo
- (pt) Instruções de uso
- (sv) Bruksanvisning
- (da) Brugsanvisning
- (no) Bruksanvisning
- (fi) Käyttöohjeet

- (el) Οδηγίες χειρισμού
- (pl) Instrukcja obsługi
- (hu) Kezelési utasítás
- (cs) Návod k obsluze
- (tr) Kullanım talimatları
- (ro) Instrucțiuni de utilizare
- (sl) Navodila za rokovanje
- (sk) Pokyny na manipuláciu
- (bg) Инструкция за експлоатация
- (sr) Uputstvo za rukovanje
- (hr) Upute za rukovanje

GENERAL POWER TOOL SAFETY WARNINGS

⚠ WARNING

Read all safety warnings and all instructions.

Failure to follow the warnings and instructions may result in electric shock, fire and/or serious injury.

Save all warnings and instructions for future reference.

The term "power tool" in the warnings refers to your mains-operated (corded) power tool or battery-operated (cordless) power tool.

1) Work area safety

- a) **Keep work area clean and well lit.**
Cluttered or dark areas invite accidents.
- b) **Do not operate power tools in explosive atmospheres, such as in the presence of flammable liquids, gases or dust.**
Power tools create sparks which may ignite the dust or fumes.
- c) **Keep children and bystanders away while operating a power tool.**
Distractions can cause you to lose control.

2) Electrical safety

- a) **Power tool plugs must match the outlet. Never modify the plug in any way. Do not use any adapter plugs with earthed (grounded) power tools.**
Unmodified plugs and matching outlets will reduce risk of electric shock.
- b) **Avoid body contact with earthed or grounded surfaces, such as pipes, radiators, ranges and refrigerators.**
There is an increased risk of electric shock if your body is earthed or grounded.
- c) **Do not expose power tools to rain or wet conditions.**
Water entering a power tool will increase the risk of electric shock.
- d) **Do not abuse the cord. Never use the cord for carrying, pulling or unplugging the power tool. Keep cord away from heat, oil, sharp edges or moving parts.**
Damaged or entangled cords increase the risk of electric shock.
- e) **When operating a power tool outdoors, use an extension cord suitable for outdoor use.**
Use of a cord suitable for outdoor use reduces the risk of electric shock.
- f) **If operating a power tool in a damp location is unavoidable, use a residual current device (RCD) protected supply.**
Use of an RCD reduces the risk of electric shock.

3) Personal safety

- a) **Stay alert, watch what you are doing and use common sense when operating a power tool. Do not use a power tool while you are tired or under the influence of drugs, alcohol or medication.**
A moment of inattention while operating power tools may result in serious personal injury.
- b) **Use personal protective equipment. Always wear eye protection.**
Protective equipment such as dust mask, non-skid safety shoes, hard hat, or hearing protection used for appropriate conditions will reduce personal injuries.
- c) **Prevent unintentional starting. Ensure the switch is in the off position before connecting to**

power source and/or battery pack, picking up or carrying the tool.

Carrying power tools with your finger on the switch or energising power tools that have the switch on invites accidents.

- d) **Remove any adjusting key or wrench before turning the power tool on.**
A wrench or a key left attached to a rotating part of the power tool may result in personal injury.
 - e) **Do not overreach. Keep proper footing and balance at all times.**
This enables better control of the power tool in unexpected situations.
 - f) **Dress properly. Do not wear loose clothing or jewellery. Keep your hair, clothing and gloves away from moving parts.**
Loose clothes, jewellery or long hair can be caught in moving parts.
 - g) **If devices are provided for the connection of dust extraction and collection facilities, ensure these are connected and properly used.**
Use of dust collection can reduce dust-related hazards.
- #### 4) Power tool use and care
- a) **Do not force the power tool. Use the correct power tool for your application.**
The correct power tool will do the job better and safer at the rate for which it was designed.
 - b) **Do not use the power tool if the switch does not turn it on and off.**
Any power tool that cannot be controlled with the switch is dangerous and must be repaired.
 - c) **Disconnect the plug from the power source and/or the battery pack from the power tool before making any adjustments, changing accessories, or storing power tools.**
Such preventive safety measures reduce the risk of starting the power tool accidentally.
 - d) **Store idle power tools out of the reach of children and do not allow persons unfamiliar with the power tool or these instructions to operate the power tool.**
Power tools are dangerous in the hands of untrained users.
 - e) **Maintain power tools. Check for misalignment or binding of moving parts, breakage of parts and any other condition that may affect the power tool's operation.**
If damaged, have the power tool repaired before use.
Many accidents are caused by poorly maintained power tools.
 - f) **Keep cutting tools sharp and clean.**
Properly maintained cutting tools with sharp cutting edges are less likely to bind and are easier to control.
 - g) **Use the power tool, accessories and tool bits etc. in accordance with these instructions, taking into account the working conditions and the work to be performed.**
Use of the power tool for operations different from those intended could result in a hazardous situation.
- #### 5) Battery tool use and care
- a) **Recharge only with the charger specified by the manufacturer.**
A charger that is suitable for one type of battery pack may create a risk of fire when used with another battery pack.
 - b) **Use power tools only with specifically designated battery packs.**
Use of any other battery packs may create a risk of injury and fire.

- c) **When battery pack is not in use, keep it away from other metal objects, like paper clips, coins, keys, nails, screws or other small metal objects, that can make a connection from one terminal to another.**

Shorting the battery terminals together may cause burns or a fire.

- d) **Under abusive conditions, liquid may be ejected from the battery; avoid contact. If contact accidentally occurs, flush with water. If liquid contacts eyes, additionally seek medical help.**

Liquid ejected from the battery may cause irritation or burns.

6) Service

- a) **Have your power tool serviced by a qualified repair person using only identical replacement parts.**

This will ensure that the safety of the power tool is maintained.

PRECAUTION

Keep children and infirm persons away. When not in use, tools should be stored out of reach of children and infirm persons.

CORDLESS FINISH NAILER / BRAD NAILER SAFETY WARNINGS

- Always assume that the tool contains fasteners.**
Careless handling of the nailer can result in unexpected firing of fasteners and personal injury.
- Do not point the tool towards yourself or anyone nearby.**
Unexpected triggering will discharge the fastener causing an injury.
- Do not actuate the tool unless the tool is placed firmly against the workpiece.**
If the tool is not contact with the workpiece, the fastener may be deflected away from your target.
- Disconnect the tool from the power source when the fastener jams in the tool.**
While removing a jammed fastener, the nailer may be accidentally activated if it is plugged in.
- Use caution while removing a jammed fastener.**
The mechanism may be under compression and the fastener may be forcefully discharged while attempting to free a jammed condition.
- Do not use this nailer for fastening electrical cables.**
It is not designed for electric cable installation and may damage the insulation of electric cables thereby causing electric shock or fire hazards.

ADDITIONAL SAFETY WARNINGS

- Safe operation through correct usage.**
This tool was designed for driving nails into wood and similar materials. Use it for its intended purpose only.
- Be careful of ignition and explosions.**
Since sparks may fly during nailing, it is dangerous to use this tool near lacquer, paint, benzene, thinner, gasoline, gas, adhesives and similar inflammable substances as they may ignite or explode. Under no circumstances should this tool therefore be used in the vicinity of such inflammable material.
- Always wear eye protection (protective goggles).**



When operating the power tool, always wear eye protection, and ensure that surrounding people wear eye protection too.

The possibility of fragments of the nails that were not properly hit entering the

eye is a threat to sight. Eye protection can be bought at any hardware store. Always wear eye protection while operating this tool. Use either eye protection or a wide vision mask over prescription glasses.

Employers should always enforce the use of eye protection equipment.

4. Protect your ears and head.

When engaged in nailing work please wear ear muffers and head protection. Also, depending on condition, ensure that surrounding people also wear ear muffers and head protection.

5. Pay attention to those working close to you.

It would be very dangerous if nails that were not properly driven in should hit other people. Therefore, always pay attention to the safety of the people around you when using this tool. Always make sure that nobody's body, hands or feet are close to the nail outlet.

6. Never point the nail outlet towards people.



Always assume the tool contains fasteners.

If the nail outlet is pointed towards people, serious accidents may be caused if you mistakenly discharge the tool. When connecting and disconnecting the battery, during nail loading or similar operations, be sure the nail outlet is not pointed towards anyone (including yourself). Even when no nails are loaded at all, it is dangerous to discharge the tool while pointing it at someone, so never attempt to do so. No horseplay. Respect the tool as a working implement.

7. Check push lever before use.

Make sure the push lever operates properly. (The push lever may be called "Safety".) Never use the Nailer unless the push lever is operating properly, otherwise the Nailer could drive a fastener unexpectedly. Do not tamper with or remove the push lever, otherwise the push lever becomes inoperable.

8. Choice of triggering method is important.

Read and understand section titled "HOW TO USE THE NAILER" on page 13.

9. Prior to using this product, make sure that it is operating properly in accordance with the content of "Testing the nailer" on page 12.

10. Use specified nails only.

Never use nails other than those specified and described in these instructions.

11. Be careful when connecting the battery.

When connecting the battery and loading nails in order not to fire the tool by mistake, make sure of the followings.

- Do not touch the trigger.
- Do not allow the firing head to contact with any surface.
- Keep the firing head down.

Strictly observe the above instructions, and always make sure that no part of the body, hands or legs is ever in front of the nail outlet.

12. Do not carelessly place your finger on the trigger.

Do not place your finger on the trigger except when actually nailing. If you carry this tool or hand it to someone while having your finger on the trigger, you may inadvertently discharge a nail and thus cause an accident.

13. Press the nail outlet firmly against the material to be nailed.

When driving in nails, press the nail outlet firmly against the material to be nailed. If the outlet is not applied properly, the nails may rebound.

14. Keep hands and feet away from the firing head when using.



It is very dangerous for a nail to hit the hands or feet by mistake.

English

15. Beware of the tool's kickback.

Do not approach the top of the tool with your head etc. during operation. This is dangerous because the tool may recoil violently if the nail currently being driven in comes into contact with a previous nail or a knot in the wood.

16. Be careful of double fire due to recoil.

If the push lever is unintentionally allowed to re-contact the workpiece following recoil, an unwanted fastener will be driven.

In order to avoid this undesirable double fire,

- Intermittent operation (Trigger firing)
 - 1) Set the switching device to FULL SEQUENTIAL ACTUATION MECHANISM.
 - 2) Pull the trigger rapidly and firmly.
- Continuous operation (Push lever firing)
 - 1) Do not press the nailer against the wood with excessive force.
 - 2) Separate the nailer from the wood as it recoils after fastening.

17. Take care when nailing thin boards or the corners of wood.

When nailing thin boards, the nails may pass right through, as may also be the case when nailing the corners of wood due to deviation of the nails. In such cases, always make sure that there is no one (and nobody's hands or feet; etc.) behind the thin board or next to the wood you are going to nail.

18. Simultaneous nailing on both sides of the same wall is dangerous.

Under no circumstances should nailing be performed on both sides of a wall at the same time. This would be very dangerous since the nails might pass through the wall and thus cause injuries.

19. Do not use the power tool on scaffoldings, ladders.

The power tool shall not be used for specific application for example:

- when changing one driving location to another involves the use of scaffoldings, stairs, ladders or ladder alike constructions, e.g. roof laths,
- closing boxes or crates,
- fitting transportation safety systems e.g. on vehicles and wagons

20. Remove all remaining fasteners and battery from nailer when:

- 1) doing maintenance and inspection;
- 2) checking proper operation of push lever and trigger;
- 3) attaching or removing the nose cap;
- 4) clearing a jam;
- 5) it is not in use;
- 6) leaving work area;
- 7) moving it to another location; and
- 8) handing it to another person.

Never attempt to clear a jam or repair the Nailer unless you have removed battery and all remaining fasteners from the Nailer.

The Nailer should never be left unattended since people who are not familiar with the Nailer might handle it and injure the themselves.

21. Remove battery from nailer when:

- 1) loading nails;
- 2) turning the adjuster.

22. Disconnect the battery.

When attaching and detaching the nose cap, disconnect the battery.

When attaching the accessory nose cap to the tip of the push lever and when detaching it, make sure to disconnect the battery beforehand. It is very dangerous for a nail to be fired by mistake.

23. The operating environment for this device is between 0°C and 40°C so ensure use within this temperature range. The device may fail to operate below 0°C or above 40°C.

24. Always charge the battery at an ambient temperature of 0–40°C.

A temperature of less than 0°C will result in over charging which is dangerous. The battery cannot be charged at a temperature greater than 40°C.

The most suitable temperature for charging is that of 20–25°C.

25. Do not use the charger continuously.

When one charging is completed, leave the charger for about 15 minutes before the next charging of battery.

26. Do not allow foreign matter to enter the hole for connecting the rechargeable battery.

27. Never disassemble the rechargeable battery or charger.

28. Never short-circuit the rechargeable battery.

Short-circuiting the battery will cause a great electric current and overheat. It results in burn or damage to the battery.

29. Do not dispose of the battery in fire.

If the battery is burnt, it may explode.

30. Using an exhausted battery will damage the charger.

31. Bring the battery to the shop from which it was purchased as soon as the post-charging battery life becomes too short for practical use.

Do not dispose of the exhausted battery.

32. Do not insert objects into the air ventilation slots of the charger.

Inserting metal objects or flammable into the charger air ventilation slots will result in an electrical shock hazard or damage to the charger.

33. NEVER allow magnets (or similar magnetic devices) to be adjacent to the nailer, because the nailer has a magnetic sensor inside.

Doing so will cause a failure or risk of injury by malfunction.

34. Resting the unit after continuous work.

35. The power tool is equipped with a temperature protection circuit to protect the motor. Continuous work may cause the temperature of the unit to rise, activating the temperature protection circuit and automatically stopping operation. If this happens, allow the power tool to cool before resuming use.

36. This product may cease to operate when an abnormality is detected. In such cases, check the items listed under "TROUBLESHOOTING" on page 17.

37. Do not give a strong shock to the switch panel or break it. It may lead to a trouble.

38. Do not use the product if the tool or the battery terminals (battery mount) are deformed.

Installing the battery could cause a short circuit that could result in smoke emission or ignition.

39. Keep the tool's terminals (battery mount) free of swarf and dust.

- Prior to use, make sure that swarf and dust have not collected in the area of the terminals.
 - During use, try to avoid swarf or dust on the tool from falling on the battery.
 - When suspending operation or after use, do not leave the tool in an area where it may be exposed to falling swarf or dust.
- Doing so could cause a short circuit that could result in smoke emission or ignition.

CAUTION ON LITHIUM-ION BATTERY

To extend the lifetime, the lithium-ion battery equips with the protection function to stop the output.

In the cases of 1 to 3 described below, when using this product, even if you are pulling the switch, the motor may stop. This is not the trouble but the result of protection function.

- When the battery power remaining runs out, the motor stops.
In such a case, charge it up immediately.
- If the tool is overloaded, the motor may stop. In this case, release the switch of tool and eliminate causes of overloading. After that, you can use it again.
- If the battery is overheated under overload work, the battery power may stop.
In this case, stop using the battery and let the battery cool. After that, you can use it again.

Furthermore, please heed the following warning and caution.

WARNING

In order to prevent any battery leakage, heat generation, smoke emission, explosion and ignition beforehand, please be sure to heed the following precautions.

- Make sure that swarf and dust do not collect on the battery.
 - During work make sure that swarf and dust do not fall on the battery.
 - Make sure that any swarf and dust falling on the power tool during work do not collect on the battery.
 - Do not store an unused battery in a location exposed to swarf and dust.
 - Before storing a battery, remove any swarf and dust that may adhere to it and do not store it together with metal parts (screws, nails, etc.).
- Do not pierce battery with a sharp object such as a nail, strike with a hammer, step on, throw or subject the battery to severe physical shock.
- Do not use an apparently damaged or deformed battery.
- Do not use the battery in reverse polarity.
- Do not connect directly to an electrical outlets or car cigarette lighter sockets.
- Do not use the battery for a purpose other than those specified.
- If the battery charging fails to complete even when a specified recharging time has elapsed, immediately stop further recharging.
- Do not put or subject the battery to high temperatures or high pressure such as into a microwave oven, dryer, or high pressure container.
- Keep away from fire immediately when leakage or foul odor are detected.
- Do not use in a location where strong static electricity generates.
- If there is battery leakage, foul odor, heat generated, discolored or deformed, or in any way appears abnormal during use, recharging or storage, immediately remove it from the equipment or battery charger, and stop use.
- Do not immerse the battery or allow any fluids to flow inside. Conductive liquid ingress, such as water, can cause damage resulting in fire or explosion. Store your battery in a cool, dry place, away from combustible and flammable items. Corrosive gas atmospheres must be avoided.

CAUTION

- If liquid leaking from the battery gets into your eyes, do not rub your eyes and wash them well with fresh clean water such as tap water and contact a doctor immediately.
If left untreated, the liquid may cause eye-problems.
- If liquid leaks onto your skin or clothes, wash well with clean water such as tap water immediately.
There is a possibility that this can cause skin irritation.

- If you find rust, foul odor, overheating, discolor, deformation, and/or other irregularities when using the battery for the first time, do not use and return it to your supplier or vendor.

WARNING

If a conductive foreign matter enters in the terminal of lithium ion battery, the battery may be shorted, causing fire. When storing the lithium ion battery, obey surely the rules of following contents.

- Do not place conductive debris, nail and wires such as iron wire and copper wire in the storage case.
- To prevent shorting from occurring, load the battery in the tool or insert securely the battery cover for storing until the ventilator is not seen.

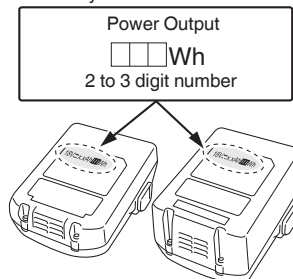
REGARDING LITHIUM-ION BATTERY TRANSPORTATION

When transporting a lithium-ion battery, please observe the following precautions.

WARNING

Notify the transporting company that a package contains a lithium-ion battery, inform the company of its power output and follow the instructions of the transportation company when arranging transport.

- Lithium-ion batteries that exceed a power output of 100 Wh are considered to be in the freight classification of Dangerous Goods and will require special application procedures.
- For transportation abroad, you must comply with international law and the rules and regulations of the destination country.













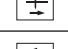


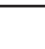



NAMES OF PARTS (Fig. 1 – Fig. 28)

①	Top cover
②	Trigger
③	LED light
④	Firing head (outlet)
⑤	Push lever
⑥	Nail feeder (A)
⑦	Nail feeder (B)
⑧	Magazine
⑨	Hook
⑩	Battery
⑪	Switch lock lever
⑫	Handle

English










13	Stop lever
14	Battery indicator switch
15	Battery indicator
16	Nailing operation switch
17	Power indicator
18	Power switch
19	Nailing operation indicator
20	Nail strip
21	Magazine cover
22	Groove
23	Blade guide
24	Adjuster
25	Hook plate
26	Nose cap
27	Lock lever
28	Guide plate

	Power switch ON Power indicator: Light in green
	Nailing operation switch
	FULL SEQUENTIAL ACTUATION MECHANISM
	FULL SEQUENTIAL ACTUATION MECHANISM mode Nailing operation indicator: Light in blue
	CONTACT ACTUATION MECHANISM
	CONTACT ACTUATION MECHANISM mode Nailing operation indicator: Blink in blue
	Trigger locked
	Trigger unlocked
	Battery indicator switch
	The battery remaining power is enough Battery indicator: 2 LEDs (Red) light
	The battery remaining power is about half. Battery indicator: 1 LED (Red) lights
	The battery remaining power is nearly empty. Recharge the battery as soon as possible. Battery indicator: 1 LED (Red) blink
	Contact HiKOKI for inspection. Battery indicator: 2 LEDs blink in Orange, after 10 seconds, automatically turn off Power switch.
	Shallow side
	Deep side
	Warning
	Prohibited action

SYMBOLS

WARNING

The following show symbols used for the machine.
Be sure that you understand their meaning before use.

	NT 1865DBAL: Cordless Finish Nailer NT 1865DBSL: Cordless Finish Nailer NT 1850DBSL: Cordless Brad Nailer
	To reduce the risk of injury, user must read instruction manual
	Only for EU countries Do not dispose of electric tools together with household waste material! In observance of European Directive 2012/19/EU on waste electrical and electronic equipment and its implementation in accordance with national law, electric tools that have reached the end of their life must be collected separately and returned to an environmentally compatible recycling facility.
	Direct current
	Switching ON
	Switching OFF
	Disconnect the battery
	Power switch
	Power switch OFF

SPECIFICATIONS

1. Cordless Finish Nailer

Model		NT1865DBAL	NT1865DBSL	
Motor		DC Brushless		
Applicable Nail		15 Ga (Angle: 34°)	16 Ga	
Applicable Nail Length		32 mm to 65 mm	25 mm to 65 mm	
Nail Loading capacity [nails]		100 (1 strip)	100 (2 strips)	
Firing mode		Full sequential / Contact (Selectable)		Full sequential / Contact (Selectable)
Cycle rate	[nails/second]	3 (Intermittent)		3 (Intermittent)
Battery	Model	BSL1830C	BSL1830C	BSL1850
	Type	Li-ion battery		
	Voltage	DC 18V		
Weight*		3.5 – 4.1 kg		3.4 – 4.0 kg
Dimension Height × Length × Width		344 mm × 300 mm × 104 mm		315 mm × 298 mm × 104 mm 315 mm × 310 mm × 104 mm

* According to EPTA-Procedure 01/2014

Depending on attached battery. The heaviest weight is measured with BSL36B18 (sold separately).

2. Cordless Brad Nailer

Model		NT1850DBSL		
Motor		DC Brushless		
Applicable Nail		18 Ga		
Applicable Nail Length		16mm to 50mm		
Nail Loading capacity [nails]		100 (1 strip)		
Firing mode		Full sequential / Contact (Selectable)		
Cycle rate	[nails/second]	3 (Intermittent)		
Battery	Model	BSL1830C	BSL1850	
	Type	Li-ion battery		
	Voltage	DC 18V		
Weight*		3.3 – 4.0 kg		
Dimension Height × Length × Width		323 mm × 298 mm × 104 mm	323 mm × 310 mm × 104 mm	

* According to EPTA-Procedure 01/2014

Depending on attached battery. The heaviest weight is measured with BSL36B18 (sold separately).

3. Battery Charger

Model	UC18YFSL	UC18YML2
Charging voltage	DC 14.4 – 18 V	
Weight	0.5 kg	0.7 kg

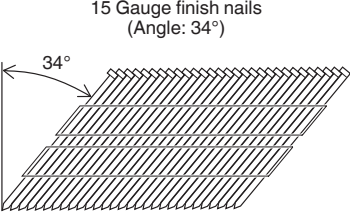
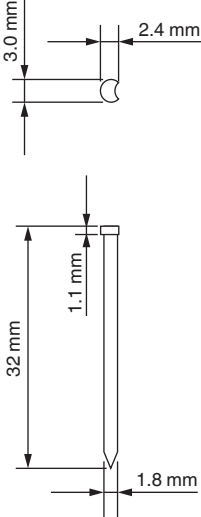

NOTE

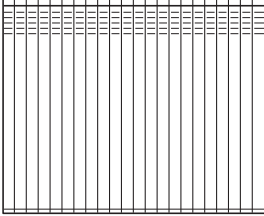
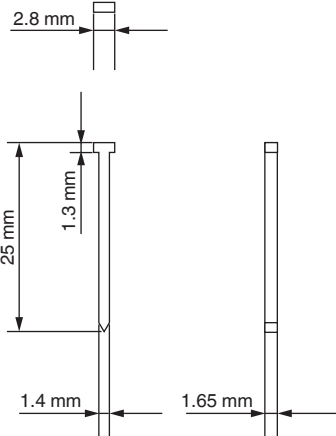

Due to HiKOKI's continuing program of research and development, the specifications herein are subject to change without prior notice.

NAIL SELECTION

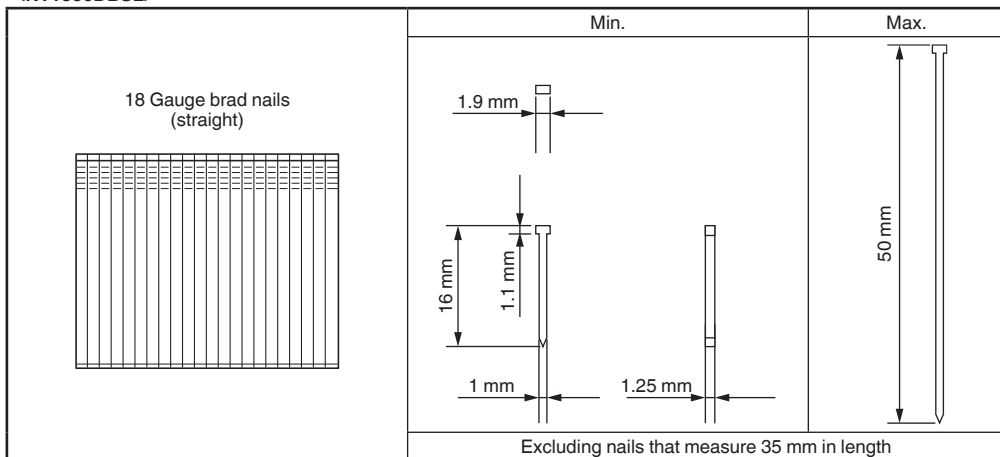
Only nails shown in the Table below can be driven with this Nailer.

Dimensions of nails

	Min.	Max.
<p>15 Gauge finish nails (Angle: 34°)</p> 		

	Min.	Max.
<p>16 Gauge finish nails (straight)</p> 		

<NT1850DBSL>



STANDARD ACCESSORIES

In addition to the main unit (1 unit), the package contains the accessories listed on page 378.

Standard accessories are subject to change without notice.

APPLICATIONS

<NT1865DBAL, NT1865DBSL>

- Nailing as finishing process for areas around the doors, windows as well as edgings.
- Securing the bottom of drawers. Making various cases and cabinets.

<NT1850DBSL>

- Cabinet and picture frame assembly, furniture trim.
- On-site and mobile home trim and molding.

CHARGING

Before using the power tool, charge the battery as follows.

1. Connect to the power source. (Fig. 3)

When charging the battery from an AC power source

- Connect the charger's power cord to the receptacle. When connecting the plug of the charger to a receptacle, the pilot lamp will blink in red (At 1- second intervals).

CAUTION

Do not use the electrical cord if damaged. Have it repaired immediately.

When charging the battery from a DC 12V in-car power source (UC18YML2)

- Secure the battery charger in place in the car. Use the strap supplied with the battery charger to fasten the battery charger in place and prevent it from moving inadvertently. (See Fig. 28)

CAUTION

Do not place the battery charger or battery under the driver's seat. Secure the battery charger in place to prevent it from moving inadvertently as this may lead to an accident.



Fig. 28

- Insert the cigarette lighter connecting plug into the cigarette lighter socket. If the plug is loose and falls out of the cigarette lighter socket, repair the socket. As the socket may be faulty, you are recommended to contact your local car dealer. Continued use of the socket may result in an accident due to overheating.

2. Insert the battery into the charger.

Firmly insert the battery into the charger until the line is visible, as shown in Fig. 3.

Lines are not displayed on the UC18YFSL. Make sure that the battery is set firmly in place.

3. Charging

When inserting a battery in the charger, charging will commence and the pilot lamp will light up continuously in red.

When the battery becomes fully recharged, the pilot lamp will blink in red. (At 1-second intervals) (See Table 1)

(1) Pilot lamp indication

The indications of the pilot lamp will be as shown in Table 1, according to the condition of the charger or the rechargeable battery.

Table 1

<UC18YFSL>

Indications of the pilot lamp				
Pilot lamp (red)	Before charging	Blinks	Lights for 0.5 seconds. Does not light for 0.5 seconds. (off for 0.5 seconds)	/
	While charging	Lights	Lights continuously	
	Charging complete	Blinks	Lights for 0.5 seconds. Does not light for 0.5 seconds. (off for 0.5 seconds)	
	Overheat standby	Blinks	Lights for 1 second. Does not light for 0.5 seconds. (off for 0.5 seconds)	Battery overheated. Unable to charge. (Charging will commence when battery cools)
	Charging impossible	Flickers	Lights for 0.1 seconds. Does not light for 0.1 seconds. (off for 0.1 seconds)	Malfunction in the battery or the charger

<UC18YML2>

Indications of the pilot lamp				
The pilot lamp lights or blinks in red.	Before charging	Blinks	Lights for 0.5 seconds. Does not light for 0.5 seconds. (off for 0.5 seconds)	/
	While charging	Lights	Lights continuously	
	Charging complete	Blinks	Lights for 0.5 seconds. Does not light for 0.5 seconds. (off for 0.5 seconds)	
	Charging impossible	Flickers	Lights for 0.1 seconds. Does not light for 0.1 seconds. (off for 0.1 seconds)	Malfunction in the battery or the charger
The pilot lamp lights or blinks in green.	Overheat standby	Lights	Lights continuously	Battery overheated. Unable to charge. (Charging will commence when battery cools)
	Charging with in-car power source impossible	Blinks	Lights for 0.5 seconds. Does not light for 0.5 seconds. (off for 0.5 seconds)	DC 12 V supply is faulty

NOTE: When standby for cooling battery, UC18YML2 cools the overheated battery by cooling fan. (However, the cooling fan does not function when charging the battery with a DC 12V in-car power source.)

- (2) Regarding the temperatures of the rechargeable battery
The temperatures for rechargeable batteries are as shown in **Table 2**, and batteries that have become hot should be cooled for a while before being recharged.

Table 2 Recharging ranges of batteries

Rechargeable batteries	Temperatures at which the battery can be recharged
BSL1830C, BSL1850	0°C – 50°C

- (3) Regarding recharging time
Depending on the combination of the charger and batteries, the charging time will become as shown in **Table 3**.

Table 3 Charging time (At 20°C)
(AC power supply / DC 12V (in-car) power supply)

Charger \ Battery	UC18YFSL	UC18YML2
BSL1830C	Approx. 45 min	Approx. 45 / 120 min
BSL1850	Approx. 75 min	Approx. 75 / 200 min

NOTE

The recharging time may vary according to the ambient temperature and power source voltage.

<UC18YML2>

Especially, using a DC 12V in-car power source may require longer recharging time at high temperatures.

CAUTION

When the battery charger has been continuously used, the battery charger will be heated, thus constituting the cause of the failures. Once the charging has been completed, give 15 minutes rest until the next charging.

4. Disconnect the charger's power cord from the receptacle or cigarette lighter socket.

5. Hold the charger firmly and pull out the battery.

NOTE

Be sure to pull out the battery from the charger after use, and then keep it.

Regarding electric discharge in case of new batteries, etc.

As the internal chemical substance of new batteries and batteries that have not been used for an extended period is not activated, the electric discharge might be low when using them the first and second time. This is a temporary phenomenon, and normal time required for recharging will be restored by recharging the batteries 2 – 3 times.

How to make the batteries perform longer

(1) Recharge the batteries before they become completely exhausted.

When you feel that the power of the tool becomes weaker, stop using the tool and recharge its battery. If you continue to use the tool and exhaust the electric current, the battery may be damaged and its life will become shorter.

(2) Avoid recharging at high temperatures.

A rechargeable battery will be hot immediately after use. If such a battery is recharged immediately after use, its internal chemical substance will deteriorate, and the battery life will be shortened. Leave the battery and recharge it after it has cooled for a while.

CAUTION

- If the battery is charged while it is heated because it has been left for a long time in a location subject to direct sunlight or because the battery has just been used, the pilot lamp of the charger lights for 1 second, does not light for 0.5 seconds (off for 0.5 seconds) (UC18YFSL) or lights up green. (UC18YML2). In such a case, first let the battery cool, then start charging.
- When the pilot lamp flickers in red (at 0.2-seconds intervals), check for and take out any foreign objects in the charger's battery connector. If there are no foreign objects, it is probable that the battery or charger is malfunctioning. Take it to your authorized Service Center.
- Since the built-in micro computer takes about 3 seconds to confirm that the battery being charged with UC18YFSL / UC18YML2 is taken out, wait for a minimum of 3 seconds before reinserting it to continue charging. If the battery is reinserted within 3 seconds, the battery may not be properly charged.
- Check the voltage of the in-car power source when the pilot lamp blinks in green (At 1-second intervals). (UC18YML2) If the voltage is 12 V or lower, it indicates that the car battery has weakened and cannot be charged.
- If the pilot lamp does not blink in red (every second) even though the charger cord or cigarette lighter connecting plug is connected to the power, it indicates that the protection circuit of the charger may be activated. Remove the cord or plug from the power and then connect it again after 30 seconds or so. If this does not cause the pilot lamp to blink in red (every second), please take the charger to the HiKOKI Authorized Service Center.

BEFORE USE

Action	Figure	Page
Removing and inserting the battery	2	379
Charging	3	380
Selecting accessories	—	385

1. How to operate operation panel

(1) Power switch ON (See Fig. 4)

Under the condition of "Power switch OFF", push and hold on Power switch more than 1 second, then power indicator lights in Green.

NOTE

Do not press the push lever and/or pull the trigger during the process of turning the power switch ON.

Doing so will prevent the power switch from turning ON.

[Auto power off]

When the power is turned on but the Nailer is not used for 30 minutes, the Nailer is automatically turned off. To turn on again, press the power switch.

WARNING

Never leave the Nailer with the power on. This could result in an accident.

(2) Power switch OFF (See Fig. 4)

Under the condition of "Power switch ON", push and hold on Power switch more than 1 second, then power indicator goes off.

Under the condition of "Power switch ON", functions below are active.

(3) Select Nailing operation mode

(Full sequential actuation / Contact actuation)

After power switch turn ON, always set in Full sequential actuation mode as initial. (Nailing operation indicator light in blue.) (See Fig. 5)

To change nailing operation mode, push Nailing operation switch once. Every pushing, mode will change between "Full sequential" and "Contact". (See Fig. 6)

Lighting (Blue):

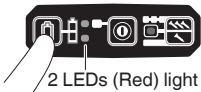
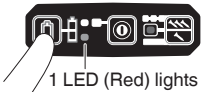
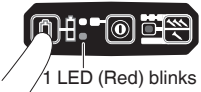
FULL SEQUENTIAL ACTUATION MECHANISM,

Blinking (Blue):

CONTACT ACTUATION MECHANISM

(4) Check Remaining battery level

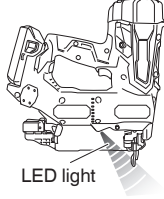

When pressing the battery indicator switch, the battery indicator shows Remaining battery level by status of LED lamp as below.

Status of indicator	
 <p>2 LEDs (Red) light</p>	The battery remaining power is enough.
 <p>1 LED (Red) lights</p>	The battery remaining power is about half.
 <p>1 LED (Red) blinks</p>	The battery remaining power is nearly empty. Recharge the battery as soon as possible.

English

(5) Other functions

In case of operation error, LED lamps show as below.

Status of indicator	
 <p>LED light</p> <p>LED light blink in an interval.</p> <ul style="list-style-type: none"> In case of too hot condition, Blink in 1 second interval. In case of too cold condition, Blink in 0.5 second interval. <p>After 10 seconds, automatically turn off LED light and Power switch.</p>	<p>Machine is in too cold (below -5°C or too hot condition). Allow the nailer to cool or warm-up thoroughly in adequate condition.</p>
 <p>2 LEDs blink in Orange, after 10 seconds, automatically turn off Power switch.</p>	<p>Contact HiKOKI for inspection.</p>

(6) How to use the LED light (See Fig. 7)




While the power switch on, the LED light will automatically light up the tip portion of the tool.

CAUTION

- Do not expose directly your eye to the light by looking into the light.
If your eye is continuously exposed to the light, your eye will be hurt.
- Wipe off any dirt or grime attached to the lens of the LED light with a soft cloth, being careful not to scratch the lens.
Scratches on the lens of the LED light can result in decreased brightness.

2. Trigger Lock Mechanism (See Fig. 8)

WARNING

Make sure the trigger is locked when not firing nails.
This Nailer has a lock mechanism to prevent the nails from being fired.
Set the switch lock lever at the  position to lock the trigger.
Slide the switch lock lever to the  position when the Nailer is to be used, and to the  position when it is not in use.

3. Testing the nailer

WARNING

- Make sure the trigger is locked when not firing nails. (See Fig. 8)
- Never use Nailer unless push lever is operating properly. The NT1865DBAL and NT1865DBSL employ a preventive mechanism for unloaded operation. The NT1865DBAL and NT1865DBSL enter a state where the push lever cannot be pushed up. This takes place when the magazine is not loaded with nails or when the remaining number of nails becomes less than 6 or 9.

CAUTION

Use caution not to throw the push lever tip onto wood. Before actually beginning the nailing work, test the Nailer by using the checklist below. Conduct the tests in the following order.

If abnormal operation occurs, stop using the Nailer and contact a HiKOKI authorized service center immediately.

- REMOVE ALL NAILS AND BATTERY FROM NAILER.
 - ALL SCREWS MUST BE TIGHTENED.
 - THE PUSH LEVER AND TRIGGER MUST MOVE SMOOTHLY with pulling back the nail feeder (B). (NT1850DBSL: Unnecessary to pulling back nail feeder)
- Installing the battery.

Do not operate the push lever or trigger while installing the battery. (See Fig. 2)
- Turn on the Power switch. (See Fig. 1)

Turn on the Power switch by push and hold on Power switch more than 1 second.
Make sure the power indicator is lighting in green, and nailing operation indicator is lighting in blue. (FULL SEQUENTIAL ACTUATION MECHANISM)

NOTE

Do not press the push lever and/or pull the trigger during the process of turning the power switch ON.
Doing so will prevent the power switch from turning ON.

[Auto power off]

When the power is turned on but the Nailer is not used for 30 minutes, the Nailer is automatically turned off. To turn on again, press the power switch.

WARNING

Never leave the Nailer with the power on. This could result in an accident.

Nailing operation indicator

Lighting (Blue):

FULL SEQUENTIAL ACTUATION MECHANISM,

Blinking (Blue):

CONTACT ACTUATION MECHANISM

- Make sure the battery indicator is not blinking.
If the battery indicator is blinking in red, the battery doesn't have enough power and it needs to be charged.
- Remove the finger from the trigger and press the push lever against the workpiece with pulling back the nail feeder (B).
 - THE NAILER MUST NOT OPERATE.

- Separate the push lever from the workpiece.

Next, point the nailer downward, with pulling back the nail feeder (B), pull the trigger and then wait in that position for 5 seconds or longer.

- THE NAILER MUST NOT OPERATE.

- Without touching the trigger, depress the push lever against the workpiece with pulling back the nail feeder (B).
Next, pull the trigger.
 - THE NAILER MUST OPERATE.

- THE NAILER MUST OPERATE.

- Hold the trigger back and depress the push lever against the workpiece again.
 - THE NAILER MUST NOT OPERATE.

- THE NAILER MUST NOT OPERATE.

- Separate the finger from the trigger.
Next, ① is operated again.
 - THE NAILER MUST OPERATE.

- THE NAILER MUST OPERATE.

- (7) Separate the push lever from the workpiece, pull the trigger.
Depress the push lever against the workpiece within 2 seconds.

THE NAILER MUST NOT OPERATE.

- (8) Set the nailing operation indicator blinking ON mode. (CONTACT ACTUATION MECHANISM)
Push the nailing operation switch once, make sure that the indicator is blinking Blue.
Separate the push lever from the workpiece, pull the trigger.
Depress the push lever against the workpiece within 2 seconds.

THE NAILER MUST OPERATE.

- (9) If no abnormal operation is observed, you may load nails in the Nailer.
Drive nails into the workpiece that is the same type to be used in the actual application.

THE NAILER MUST OPERATE PROPERLY.

4. Checking push lever operations

WARNING

Make sure the trigger is locked when not firing nails.
Always make sure the trigger is locked and the battery removed from the power tool when checking push lever operations.

Check to make sure the push lever slides smoothly when operated.

Clean the sliding area on the push lever if it doesn't slide smoothly.

5. Load nails

WARNING

When loading nails into Nailer,
1) remove battery from the nailer;
2) do not pull trigger;
3) do not depress push lever; and
4) keep nailer pointed downward.

<NT1865DBAL, NT1865DBSL>

2-Action Nail Feeding!

- (1) Insert nail strip into the back of the magazine. (See Fig. 9)
- (2) Slide the nail strip forward in the magazine. (See Fig. 10)
- (3) Push the nail feeder (A) to engage the nail feeder (B) to the nail strip. (See Fig. 11)

NOTE

- Quietly push the nail feeder (A) and nail feeder (B) against the nail.

If the nail feeder (A) and nail feeder (B) are released from backward the magazine and bumped against the nail, the connecting adhesive of the nail can be damaged.

- Use nail strip of more than 10 nails.
- Use an unbroken nail strip with nails of all the same length.

The Nailer is now ready to operate.

Removing the nails:

- ① Pull the nail feeder (B) backward. (See Fig. 12)
- ② Return the nail feeder (B) forward quietly while pushing the nail feeder (A).
- ③ Pull out nails from the back of the magazine. (See Fig. 13)

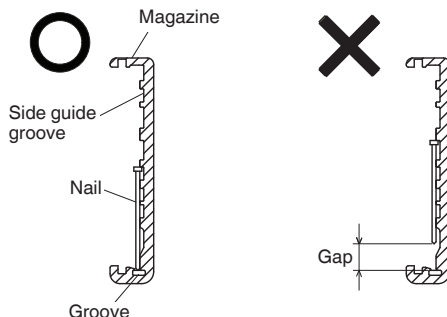
<NT1850DBSL>

- (1) Lightly press the stop lever and gently pull out the magazine cover. (See Fig. 14)
- (2) Set nail strip into the magazine and keep the points of nails in contact with Groove. (See Fig. 15)

NOTE

The nails shown in page 9 can be loaded onto the side guide groove of the magazine without any adjustment.

Always keep the points of nails in contact with Groove.



- (3) Slide the nail strip into the blade guide. (See Fig. 16)
- (4) Confirm that nail strip is placed with side guide grooves and Groove properly, then push the magazine cover forward to be latched.

HOW TO USE THE NAILER

WARNING

- NEVER point tool at yourself or others in work area.
 - Keep fingers AWAY from trigger when not driving nails to avoid accidental firing.
 - Do not use the electrical cord if damaged. Have it repaired immediately.
 - Choice of triggering method is important. Please read and understand "1. Nailing procedures" found below.
 - Before starting work, check the nailing operation switching device.
This HiKOKI nailer includes a nailing operation switching device.
Before starting work, make sure that the switching device is properly set.
If the switching device is not set properly, the nailer will not operate correctly.
 - Never place your face, hands or feet near firing head when using.
 - Do not drive nails on top of other nails or with Nailer at too steep of an angle; nails can ricochet and hurt someone.
 - Do not drive nails into thin boards or near corners and edges of workpiece. Nails can be driven through or away from workpiece and hit someone.
 - Never drive nails from both sides of a wall at the same time. Nails can be driven into and through the wall and hit a person on the opposite side.
 - Never use Nailer which is defective or operating abnormally.
 - Do not use Nailer as hammer.
 - Remove all remaining fasteners and battery from nailer when:
 - 1) doing maintenance and inspection;
 - 2) checking proper operation of push lever and trigger;
 - 3) attaching or removing the nose cap;
 - 4) cleaning a jam;
 - 5) it is not in use;
 - 6) leaving work area;
 - 7) moving it to another location; and
 - 8) handing it to another person.
 - Remove battery from Nailer when:
 - 1) loading nails;
 - 2) turning the adjuster.
- This HiKOKI nailer is equipped with a nailer operation switching device.
Use FULL SEQUENTIAL ACTUATION MECHANISM or CONTACT ACTUATION MECHANISM in accordance with the work to be performed.

English

Explanation of the various nailing operations

- FULL SEQUENTIAL ACTUATION MECHANISM:
First, press the push lever against the wood; next, pull the trigger to drive the nail.
Follow the same sequence to continue driving nails.
After nailing once, nailing will not be possible again until remove finger from the trigger and lift the tool off the wood surface completely.
- CONTACT ACTUATION MECHANISM:
CONTACT ACTUATION can follow two different sequences, depending on your use.
To drive several nails:
 1. Pull the trigger.
 2. Press the push lever against the wood to drive the nail.
 3. If the trigger is held back, a nail will be driven each time the push lever is pressed against the wood.To drive a single nail:
 1. Press the push lever against the wood.
 2. Pull the trigger to drive the nail.
 3. Remove your finger from the trigger and remove the nailer from the wood.

[Dry-fire lockout mechanism]

The NT1865DBAL and NT1865DBSL employ a preventive mechanism for unloaded operation. The NT1865DBAL and NT1865DBSL enter a state where the push lever cannot be pushed up. This takes place when the magazine is not loaded with nails or when the remaining number of nails becomes less than 6 or 9.

CAUTION

Use caution not to throw the push lever tip onto wood when the push lever cannot be pushed up.

1. Nailing procedures

This Nailer is equipped with the push lever and does not operate unless the push lever is depressed. There are two methods of operation to drive nails with this Nailer.
They are:

1. Intermittent operation (Trigger fire):
2. Continuous operation (Push lever fire):

- (1) Intermittent operation (Trigger fire)
Use the FULL SEQUENTIAL ACTUATION MECHANISM setting. (See Fig. 17)

WARNING

- For intermittent operation, Set the nailing operation switch to FULL SEQUENTIAL ACTUATION MECHANISM (Nailing operation indicator is light in blue.) (i.e. Set to SINGLE ACTUATION MECHANISM.)
- To avoid double firing or accidental firing due to recoil.
 - 1) Set to FULL SEQUENTIAL ACTUATION MECHANISM.
 - 2) Pull the trigger rapidly and firmly.
- ① Set the nailing operation switch to FULL SEQUENTIAL ACTUATION MECHANISM (Nailing operation indicator is light in blue.)
(to set to FULL SEQUENTIAL ACTUATION MECHANISM.)
(Set the switching device to the nailing operation indicator light in blue mode completely as shown in the Fig. 17. Otherwise, it will be set to CONTACT ACTUATION MECHANISM.)
- ② Position the nail outlet on the workpiece with finger off the trigger.
- ③ Depress the push lever firmly until it is completely depressed.
- ④ Pull the trigger to drive a nail.
- ⑤ Remove finger from the trigger and lift the tool off the wood surface completely.

To continue nailing in a separate location, move the nailer along the wood, repeating steps ② - ⑤ as required.

NOTE

- Operations ③ and ④ should be done within 2 seconds of each other. If more than 2 seconds pass after ③, the Nailer will not work properly. If this happens, retry from ③.
- (2) Continuous operation (Push lever fire)
Using CONTACT ACTUATION MECHANISM (See Fig. 18)

WARNING

- To avoid double firing or accidental firing due to recoil.
- 1) Do not press the nailer against the wood with excessive force.
 - 2) Separate the nailer from the wood as it recoils after nailing.
- ① Set the nailing operation switch to CONTACT ACTUATION MECHANISM (Nailing operation indicator is blink in blue.)
(to set to CONTACT ACTUATION MECHANISM.)
(Set the switching device to the nailing operation indicator blink in blue completely as shown in the Fig. 18. Otherwise, it will not operate properly.)
- ② Pull the trigger with the Nailer off the workpiece.
- ③ Depress the push lever against the workpiece to drive a nail.
- ④ Move the Nailer along the workpiece with a bouncing motion.
Each depression of the push lever will drive a nail.
As soon as the desired number of nails have been driven, remove finger from the trigger.

NOTE

- Operations ② and ③ should be done within 2 seconds of each other. If more than 2 seconds pass after ②, the Nailer will not work properly. If this happens, retry from ②.

WARNING

- Keep your finger off the trigger except during nailing operation, because serious injury could result if the push lever accidentally contacts you or others in work area.
- Keep hands and body away from the discharge area. This HiKOKI nailer may bounce from the recoil of driving a nail and unwanted subsequent nail may be driven, possibly causing injury.

NOTE

- If all warnings and instructions are followed, safe operation is possible with all two systems: FULL SEQUENTIAL ACTUATION MECHANISM, CONTACT ACTUATION MECHANISM.
 - Always handle nails and package carefully. If nails are dropped, collating bond may be broken, which will cause mis-feeding and jamming.
 - After nailing:
 - 1) remove battery from the Nailer;
 - 2) remove all nails from the Nailer;
- ### 2. Adjusting the nailing depth
- To assure that each nail penetrates to the same depth, be sure that the Nailer is always held firmly against the workpiece.
If nails are driven too deep or shallow into the workpiece, adjust the nailing in the following order.
- ① Remove the battery from the Nailer.
 - ② If nails are driven too deep, turn the adjuster to the shallow side. (See Fig. 19)
Adjustments are in half-turn increments.
If nails are driven too shallow, turn the adjuster to the deep side. (See Fig. 20)
 - ③ Stop turning the adjuster when a suitable position is reached for a nailing test.
 - ④ Connect the battery to the Nailer.
ALWAYS WEAR SAFETY GLASSES.
Perform a nailing test.
 - ⑤ Remove the battery from the Nailer.
 - ⑥ Choose a suitable position for adjuster.

3. Using the hook (See Fig. 21, 22, 23)**WARNING**

When using the hook, turn off the power switch (green light "OFF"). Pay sufficient attention so that the main equipment does not fall.

If the tool falls, there is a risk of accident.

Hook can be installed on the left or right side. (excluding NT1865DBAL)

- ① Remove the battery, then remove all remaining nails from the magazine.
- ② Securely hold the main unit and remove the screw using a screwdriver. (See Fig. 21)
- ③ Remove the hook and hook plate. (See Fig. 22)
- ④ Install the hook on the other side and securely fasten with screw. (See Fig. 23)

NOTE

Hook can be used as a hanger.

4. Using the nose cap (See Fig. 24, 25)**WARNING**

When attaching or detaching the nose cap, be sure to remove your finger from the trigger and remove all remaining fasteners and the battery from the nailer.

If you like to protect the surface of workpiece against scratches or markings made by the push lever, attach the accessory nose cap to the push lever.

- ① Remove all remaining fasteners and battery from nailer.
- ② Put the nose cap to the toe of the push lever.
- ③ The nose cap is marked to indicate the exit point of the nail, making alignment easier.
- ④ When not using the nose cap, secure in the storage compartment located on the reverse side of the magazine.

NOTE

The nose cap may reduce nailing depth due to its thickness. Re-adjustment of nailing depth is required.

5. Clearing a jam

If nails are jammed in firing head, remove it, and adjust the nailing in the following order.

CAUTION

- ① Remove the battery from the Nailer.
- ② Remove the battery from the Nailer.
- ③ Remove all nails.
- ④ Release the Lock lever and open guide plate. (See Fig. 26)
- ⑤ Remove the jammed nail with a slotted-head screwdriver. (See Fig. 27)

CAUTION

- NEVER hit the driver blade.
- NEVER point the tool at yourself or another person, to avoid risk of injury by mis-firing. Even if the battery is removed from the nailer, there is still energy of compressed air remaining inside.
- ⑤ Close guide plate and latch.

NOTE

In case of frequent jam, contact a HiKOKI authorized service center.

2. Inspecting the mounting screws

Regularly inspect all mounting screws and ensure that they are properly tightened. Should any of the screws be loose, retighten them immediately. Failure to do so could result in serious hazard.

3. Maintenance of the motor

The motor unit winding is the very "heart" of the power tool. Exercise due care to ensure the winding does not become damaged and/or wet with oil or water.

4. Inspection of terminals (tool and battery)

Check to make sure that swarf and dust have not collected on the terminals.

On occasion check prior, during and after operation.

CAUTION

Remove any swarf or dust which may have collected on the terminals.

Failure to do so may result in malfunction.

5. Cleaning on the outside

When the power tool is stained, wipe with a soft dry cloth or a cloth moistened with soapy water. Do not use chloric solvents, gasoline or paint thinner, for they melt plastics.

6. Storage

Store the power tool in a place in which the temperature is less than 40°C and out of reach of children.

NOTE

Storing lithium-ion batteries.

Make sure the lithium-ion batteries have been fully charged before storing them.

Prolonged storage (3 months or more) of batteries with a low charge may result in performance deterioration, significantly reducing battery usage time or rendering the batteries incapable of holding a charge.

However, significantly reduced battery usage time may be recovered by repeatedly charging and using the batteries two to five times.

If the battery usage time is extremely short despite repeated charging and use, consider the batteries dead and purchase new batteries.

CAUTION

In the operation and maintenance of power tools, the safety regulations and standards prescribed in each country must be observed.

Important notice on the batteries for the HiKOKI cordless power tools

Please always use one of our designated genuine batteries. We cannot guarantee the safety and performance of our cordless power tool when used with batteries other than these designated by us, or when the battery is disassembled and modified (such as disassembly and replacement of cells or other internal parts).

MAINTENANCE AND INSPECTION**CAUTION**

Be sure to remove all remaining fasteners and battery from the nailer before maintenance and inspection.

1. Inspecting the magazine

- ① Remove battery from the Nailer.
- ② Clean the magazine. Remove dust and wooden chips which may have accumulated in the magazine.

CAUTION

Check that the nail feeder slides smoothly by pulling it with finger.

If not smooth, nails can be driven at an irregular angle and hurt someone.

GUARANTEE

We guarantee HiKOKI Power Tools in accordance with statutory/country specific regulation. This guarantee does not cover defects or damage due to misuse, abuse, or normal wear and tear. In case of complaint, please send the Power Tool, undismantled, with the GUARANTEE CERTIFICATE found at the end of this Handling instruction, to a HiKOKI Authorized Service Center.

Noise Information

Noise characteristic values in accordance with EN 60745:

The typical A-weighted single-event sound power level
 $L_{WA,1s,d} = 92$ dB
The typical A-weighted single-event emission sound
pressure level at work station $L_{pA,1s,d} = 81$ dB
Uncertainty KpA: 3 dB

These values are tool-related characteristic values and do not represent the noise development at the point of use. Noise development at the point of use will for example depend on the working environment, the workpiece, the workpiece support and the number of driving operations, etc.

Depending on the conditions at the workplace and the form of the workpiece, individual noise attenuation measures may need to be carried out, such as placing workpieces on sound-damping supports, preventing workpiece vibration by means of clamping or covering, etc.

In special cases it is necessary to wear hearing protection equipment.

Vibration Information

The typical vibration characteristic value in accordance with EN 60745: 2.6 m/s²
Uncertainty K: 1.5 m/s²

This values is a tool-related characteristic value and does not represent the influence to the hand-arm-system when using the tool. An influence to the hand-arm-system when using the tool will for example depend on the gripping force, the contact pressure force, the working direction, the adjustment of energy supply, the workpiece, the wrokpiece support.

The declared vibration total value has been measured in accordance with a standard test method and may be used for comparing one tool with another.

It may also be used in a preliminary assessment of exposure.

WARNING

- The vibration emission during actual use of the power tool can differ from the declared total value depending in the ways in which the tool is used.
- Identify safety measures to protect the operator that are based on an estimation of exposure in the actual conditions of use (taking account of all parts of the operating cycle such as the times when the tool is switched off and when it is running idle in addition to the trigger time).

NOTE

Due to HIKOKI's continuing program of research and development, the specifications herein are subject to change without prior notice.

Maintenance chart

ACTION	WHY	HOW
Clean magazine and feeder mechanism.	Prevent a jam.	Blow clean daily.
Keep push lever working properly.	Promote operator safety and efficient Nailer operation.	Blow clean daily.

TROUBLESHOOTING

Use the inspections in the table below if the tool does not operate normally. If this does not remedy the problem, consult your dealer or the HiKOKI Authorized Service Center.

PROBLEM	CHECK METHOD	CORRECTION
Power switch doesn't turn on. Turn on once, but turn off automatically.	Low battery charge.	Charge the battery.
	Damaged internal electronics.	Contact HiKOKI for replacement.
	Push lever and/or trigger is ON state ?	Keep push lever and trigger in OFF state.
	Keep no operation over 30 minutes ? (Auto-power off function)	Push and hold power switch more than 1 second to switch "ON"
Nailer doesn't operate (Power switch ON).	Nailer not enough pressed against workpiece.	Hold nailer firmly and press to the workpiece completely.
	Trigger not enough pulled.	Pull the trigger firmly.
	More than 2 seconds pass from push lever ON to trigger ON (or trigger ON to push lever ON).	Make sure that less than 2 seconds pass between push lever ON and trigger ON (or between trigger ON and push lever ON).
	Preventive mechanism activated. (No nails, or too few fasteners remaining) (excluding NT1850DBSL)	Reload the nails into magazine.
	Switch lock lever (Trigger lock function) is "ON" position.	Set Switch lock lever to "OFF" position. (Refer to Fig. 8)
	Machine is too cold (below -5°C) or too hot. (LED light blinks at regular intervals, and power switch goes off after 10 seconds.) (Refer to page 12)	Allow the nailer to cool or warm-up thoroughly in adequate condition.
	Damaged internal electronics.	Contact HiKOKI for replacement.
Nailer operates, but no nail is driven.	Magazine is dirty.	Blow and wipe clean the magazine.
	Check for a jam.	Clear a jam (refer to Fig. 26, 27).
	Driver blade worn or damaged?	Contact HiKOKI for replacement.
	Ribbon spring weakened or damaged?	Replace ribbon spring.
	Nail feeder damaged?	Replace nail feeder.
	Check for proper nails.	Use only recommended nails.
Weak drive. Slow to cycle.	Check position of nailing depth adjustment adjuster.	Readjust according to Fig. 19, 20.
	Driver blade worn?	Contact HiKOKI for replacement.
	Compressed air pressure has become low.	Contact HiKOKI for replacement.
	Damaged internal electronics.	Contact HiKOKI for replacement.
Drives too deep.	Check position of nailing depth adjustment adjuster.	Readjust according to Fig. 19, 20.
Skipping nails. Intermittent feed.	Check for proper nails.	Use only recommended nails.
	Nail feeder damaged?	Replace nail feeder.
	Ribbon spring weakened or damaged?	Replace ribbon spring.
	Driver blade worn or damaged?	Contact HiKOKI for replacement.
Nails jam. Driven nail is bent.	Check for proper nails.	Use only recommended nails.
	Driver blade worn or damaged?	Contact HiKOKI for replacement.

ALLGEMEINE SICHERHEITSHINWEISE FÜR ELEKTROGERÄTE

⚠ WARNUNG

Lesen Sie sämtliche Sicherheitshinweise und Anweisungen durch.

Wenn die Warnungen und Anweisungen nicht befolgt werden, kann es zu Stromschlag, Brand und/oder ernsthaften Verletzungen kommen.

Bitte bewahren Sie alle Warnhinweise und Anweisungen zum späteren Nachschlagen auf.

Der Begriff „Elektrowerkzeug“ bezieht sich in den Warnhinweisen auf Elektrowerkzeuge mit Netz-(schnurgebunden) oder Akkubetrieb (schnurlos).

1) Sicherheit im Arbeitsbereich

- a) Sorgen Sie für einen sauberen und gut ausgeleuchteten Arbeitsbereich.

Zugestellte oder dunkle Bereiche ziehen Unfälle förmlich an.

- b) Verwenden Sie Elektrowerkzeuge niemals an Orten, an denen Explosionsgefahr besteht, wie zum Beispiel in der Nähe von leicht entflammaren Flüssigkeiten, Gasen oder Stäuben.

Bei der Arbeit mit Elektrowerkzeugen kann es zu Funkenbildung kommen, wodurch sich Stäube oder Dämpfe entzünden können.

- c) Sorgen Sie bei der Arbeit mit Elektrowerkzeugen dafür, dass sich keine Zuschauer (insbesondere Kinder) in der Nähe befinden.

Wenn Sie abgelenkt werden, können Sie die Kontrolle über das Werkzeug verlieren.

2) Elektrische Sicherheit

- a) Elektrowerkzeuge müssen mit passender Stromversorgung betrieben werden.

Nehmen Sie niemals irgendwelche Änderungen am Anschlussstecker vor.

Verwenden Sie bei Elektrowerkzeugen mit Schutzkontakt (geerdet) niemals Adapterstecker.

Stecker im Originalzustand und passende Steckdosen reduzieren das Stromschlagrisiko.

- b) Vermeiden Sie Körperkontakt mit geerdeten Gegenständen wie Rohrleitungen, Heizungen, Herden oder Kühlschränken.

Bei Körperkontakt mit geerdeten Gegenständen besteht ein erhöhtes Stromschlagrisiko.

- c) Setzen Sie Elektrowerkzeuge niemals Regen oder sonstiger Feuchtigkeit aus.

Wenn Flüssigkeiten in ein Elektrowerkzeug eindringen, erhöht sich das Stromschlagrisiko.

- d) Verwenden Sie das Anschlusskabel nicht missbräuchlich. Tragen Sie das Elektrowerkzeug niemals am Stromkabel, ziehen Sie es nicht damit heran und ziehen Sie den Stecker nicht an der Anschlusschnur aus der Steckdose.

Halten Sie die Anschlusschnur von Hitzequellen, Öl, scharfen Kanten und beweglichen Teilen fern.

Beschädigte oder verdrehte Anschlusschnüre erhöhen das Stromschlagrisiko.

- e) Verwenden Sie, wenn Sie ein Elektrowerkzeug im Freien benutzen, ein für den Außeneinsatz geeignetes Verlängerungskabel.

Ein für den Außeneinsatz geeignetes Kabel vermindert das Stromschlagrisiko.

- f) Falls sich der Betrieb des Elektrowerkzeugs in feuchter Umgebung nicht vermeiden lässt, verwenden Sie eine Stromversorgung mit Fehlerstromschutzeinrichtung (Residual Current Device, RCD).

Durch den Einsatz einer Fehlerstromschutzeinrichtung wird das Risiko eines elektrischen Schlages reduziert.

3) Persönliche Sicherheit

- a) Bleiben Sie wachsam, achten Sie auf das, was Sie tun, und setzen Sie Ihren Verstand ein, wenn Sie mit Elektrowerkzeugen arbeiten.

Benutzen Sie keine Elektrowerkzeuge, wenn Sie müde sind oder unter Einfluss von Drogen, Alkohol oder Medikamenten stehen.

Bei der Arbeit mit Elektrowerkzeugen können bereits kurze Phasen der Unaufmerksamkeit zu schweren Verletzungen führen.

- b) Benutzen Sie eine persönliche Schutzausrüstung. Tragen Sie immer einen Augenschutz.

Schutzausrüstung wie Staubmaske, rutschsichere Sicherheitsschuhe, Schutzhelm und Gehörschutz senken das Verletzungsrisiko bei angemessenem Einsatz.

- c) Vermeiden Sie unbeabsichtigtes Einschalten. Achten Sie darauf, dass sich der Schalter in der Aus- (Off-) Position befindet, ehe Sie das Gerät mit der Stromversorgung und/oder Batteriestromversorgung verbinden, es aufheben oder herumtragen.

Das Herumtragen von Elektrowerkzeugen mit dem Finger am Schalter oder das Herstellen der Stromversorgung bei betätigtem Schalter zieht Unfälle regelrecht an.

- d) Entfernen Sie sämtliche Einstellwerkzeuge (Einstellschlüssel), ehe Sie das Elektrowerkzeug einschalten.

Ein an einem beweglichen Teil des Elektrowerkzeugs angebrachter Schlüssel kann zu Verletzungen führen.

- e) Überstrecken Sie sich nicht. Achten Sie jederzeit darauf, sicher zu stehen und das Gleichgewicht zu bewahren.

Dadurch haben Sie das Elektrowerkzeug in unerwarteten Situationen besser im Griff.

- f) Tragen Sie entsprechende Kleidung. Tragen Sie keine lose Kleidung oder Schmuck. Halten Sie Haar, Kleidung und Handschuhe von beweglichen Teilen fern.

Lose Kleidung, Schmuck oder langes Haar kann von beweglichen Teilen erfasst werden.

- g) Wenn Anschlüsse für Staubabsaug- und -sammelvorrichtungen vorhanden sind, sorgen Sie dafür, dass diese richtig angeschlossen und eingesetzt werden.

Durch Entfernen des Staubes können staubbezogene Gefahren vermindert werden.

4) Einsatz und Pflege von Elektrowerkzeugen

- a) Überansprechen Sie Elektrowerkzeuge nicht. Benutzen Sie das richtige Elektrowerkzeug für Ihren Einsatzzweck.

Das richtige Elektrowerkzeug erledigt seine Arbeit bei bestimmungsgemäßem Einsatz besser und sicherer.

- b) Benutzen Sie das Elektrowerkzeug nicht, wenn es sich nicht am Schalter ein- und ausschalten lässt.

Jedes Elektrowerkzeug, das nicht mit dem Schalter betätigt werden kann, stellt eine Gefahr dar und muss repariert werden.

- c) **Stecken Sie den Stecker der Stromversorgung oder Batteriestromversorgung vom Gerät ab, ehe Sie Einstellarbeiten vornehmen, Zubehörteile tauschen oder das Elektrowerkzeug verstauen.**
Solche präventiven Sicherheitsmaßnahmen verhindern den unbeabsichtigten Anlauf des Elektrowerkzeugs und die damit verbundenen Gefahren.
- d) **Lagern Sie nicht benutzte Elektrowerkzeuge außerhalb der Reichweite von Kindern, lassen Sie nicht zu, dass Personen das Elektrowerkzeug bedienen, die nicht mit dem Werkzeug selbst und/oder diesen Anweisungen vertraut sind.**
Elektrowerkzeuge in ungeschulten Händen sind gefährlich.

- e) **Halten Sie Elektrowerkzeuge instand. Prüfen Sie sie auf Fehlausrichtungen, Leichtgängigkeit beweglicher Teile, Beschädigungen von Teilen und auf jegliche andere Zustände, die sich auf den Betrieb des Elektrowerkzeugs auswirken können.**

Lassen Sie das Elektrowerkzeug bei Beschädigungen reparieren, ehe Sie es benutzen.

Viele Unfälle mit Elektrowerkzeugen sind auf schlechte Wartung zurückzuführen.

- f) **Halten Sie Schneidwerkzeuge scharf und sauber.**
Richtig gewartete Schneidwerkzeuge mit scharfen Schneiden bleiben weniger häufig hängen und sind einfacher zu beherrschen.

- g) **Benutzen Sie Elektrowerkzeuge, Zubehör, Werkzeugspitzen und Ähnliches in Übereinstimmung mit diesen Anweisungen – beachten Sie dabei die jeweiligen Arbeitsbedingungen und die Art der auszuführenden Arbeiten.**

Der Gebrauch des Elektrowerkzeugs für andere als die vorgesehenen Anwendungen kann zu gefährlichen Situationen führen.

5) Verwendung und Pflege der Batterie

- a) **Laden Sie das Gerät nur mit dem vom Hersteller empfohlenen Ladegerät auf.**

Ein Ladegerät für einen speziellen Batterietyp kann bei Verwendung mit anderen Batterien zu Brandgefahr führen.

- b) **Verwenden Sie für das Gerät nur die speziell empfohlenen Batterien.**

Eine Verwendung von anderen Batterien kann zu Verletzungen und Bränden führen.

- c) **Ist die Batterie nicht in Gebrauch, achten Sie darauf, dass sie nicht mit Metallgegenständen, beispielsweise Büroklammern, Münzen, Schlüssel, Nägel, Schrauben oder anderen kleinen Metallgegenständen in Kontakt kommt, da diese Gegenstände einen Kurzschluss der Anschlüsse verursachen könnten.**

Ein Kurzschluss der Batterieanschlüsse kann zu Verbrennungen oder Bränden führen.

- d) **Im Falle von missbräuchlichen Bedingungen, kann Flüssigkeit aus der Batterie austreten. Vermeiden Sie in diesem Fall jeglichen Kontakt. Sollten Sie dennoch mit der Batterieflüssigkeit in Berührung kommen, waschen Sie die betroffene Stelle gründlich mit Wasser ab. Ist die Flüssigkeit ins Auge geraten, suchen Sie einen Arzt auf.**

Ausgetretene Batterieflüssigkeiten können zu Reizungen oder Verbrennungen führen.

6) Service

- a) **Lassen Sie Elektrowerkzeuge durch qualifizierte Fachkräfte und nur unter Einsatz passender Originalersatzteile warten.**
Dies sorgt dafür, dass die Sicherheit des Elektrowerkzeugs nicht beeinträchtigt wird.

VORSICHT

Von Kindern und gebrechlichen Personen fernhalten. Werkzeuge sollten bei Nichtgebrauch außerhalb der Reichweite von Kindern und gebrechlichen Personen aufbewahrt werden.

SCHNURLOSER STAUCHKOPF-NAGLER/STIFTNAGLER SICHERHEITSHINWEISE

1. **Gehen Sie immer davon aus, dass das Gerät Krampen enthält.**

Der unvorsichtige Umgang mit dem Nagler kann zum unerwarteten Abfeuern von Nägeln und zu Verletzungen führen.

2. **Richten Sie das Gerät nie auf sich selbst oder Personen in Ihrer Umgebung.**

Eine ungewollte Betätigung des Auslösers führt zum Abfeuern einer Krampe und kann Verletzungen zur Folge haben.

3. **Betätigen Sie das Gerät nur, wenn es fest gegen das Werkstück gedrückt ist.**

Wenn das Gerät nicht am Werkstück anliegt, kann die Krampe von Ihrem Ziel abgelenkt werden.

4. **Trennen Sie das Gerät von der Stromversorgung, wenn sich eine Krampe im Gerät verklemt.**

Wenn ein eingeklemmter Nagel entfernt wird, kann der Nagler versehentlich aktiviert werden, wenn er an die Steckdose angeschlossen ist.

5. **Gehen Sie beim Entfernen verklemtter Krampen vorsichtig vor.**

Der Mechanismus kann unter Druck stehen und die Krampe wird möglicherweise mit Gewalt herausgeschleudert, wenn Sie versuchen, die Verklemmung zu beheben.

6. **Verwenden Sie diesen Nagler nicht zur Befestigung von Elektrokabeln.**

Er ist nicht für die Montage elektrischer Kabel geeignet und kann die Kabelisolierung beschädigen und dadurch einen Stromschlag oder einen Brand verursachen.

ZUSÄTZLICHE SICHERHEITSWARNUNGEN

1. **Sichere Arbeitsweise durch korrekten Gebrauch.**

Dieses Gerät wurde zum Eintreiben von Nägeln in Holz oder ähnliches Material entwickelt. Benutzen Sie es ausschliesslich für den vorgesehenen Verwendungszweck.

2. **Schützen Sie sich vor Bränden und Explosionen.**

Da während des Nagelns Funken umherfliegen können ist es gefährlich, das Gerät in der Nähe von Lacken, Farben, Benzin, Verdünnern, Gasolinen, Gas, Klebstoffen oder ähnlichen brennbaren Substanzen zu benutzen, da diese sich entzünden oder explodieren können. Das Gerät darf aus diesem Grunde unter keinen Umständen in der Nähe solcher brennbaren Materialien benutzt werden.

3. Schützen Sie Ihre Augen mit Schutzbrillen.



Wenn Sie mit dem Gerät arbeiten tragen Sie stets eine Schutzbrille und achten Sie darauf, dass auch in Ihrer Umgebung Schutzbrillen getragen werden. Es können Teile von Nägeln, die nicht einwandfrei eingetrieben wurden, in die Augen eindringen und das Augenlicht zerstören.

Schutzbrillen sind in jedem Fachgeschäft erhältlich. Tragen Sie stets einen Sicherheits-Augenschutz, entweder eine Schutzbrille oder eine Weitwinkel-Schutzmaske mit den vorgeschriebenen Gläsern. Arbeitgeber sollten das Tragen von Augenschutz immer vorschreiben.

4. Schützen Sie Ihre Ohren und Ihren Kopf.

Tragen Sie während des Nagelns Lärmschutz und Sicherheitshelme. Abhängig von den Bedingungen sollten auch Personen in der Umgebung Lärmschutz und Sicherheitshelme tragen.

5. Achten Sie auf Personen, die in Ihrer Nähe arbeiten.

Es kann gefährlich werden wenn Nägel, die nicht richtig eingetrieben wurden andere Personen verletzen. Achten Sie aus diesem Grunde auf die Sicherheit der Sie umgebenden Personen wenn Sie dieses Gerät benutzen. Achten Sie darauf, dass die Mündung des Gerätes nicht in die Nähe von Personen, Händen oder Füßen kommt.

6. Richten Sie die Mündung des Gerätes nie gegen Personen.



Gehen Sie immer davon aus, dass sich Nägel im Werkzeug befinden.

Wenn die Mündung des Naglers auf Person gerichtet wird, kann es zu schweren Unfällen kommen, sollte das

Werkzeug aus Versehen auslösen. Achten Sie beim Anschließen und Abtrennen des Akkus, während des Nachladens von Nägeln oder bei ähnlichen Vorgängen darauf, dass der Nagelauslass nicht auf eine Person gerichtet ist (einschließlich Sie selbst). Selbst wenn sich keine Nägel im Werkzeug befinden, ist es gefährlich, das Werkzeug auszulösen, während es auf jemanden gerichtet ist. Versuchen Sie dies also niemals. Das Werkzeug ist kein Spielzeug. Betrachten Sie das Werkzeug ausschließlich als Arbeitsmittel und gehen Sie entsprechend damit um.

7. Überprüfen Sie den Druckhebel vor Gebrauch.

Vergewissern Sie sich, dass der Druckhebel ordnungsgemäß funktioniert. (Der Druckhebel kann als „Sicherheit“ bezeichnet werden.) Benutzen Sie den Nagler niemals, wenn der Druckhebel nicht ordnungsgemäß funktioniert, sonst könnte der Nagler unerwartet einen Nagel abschießen. Verändern Sie den Druckhebel nicht und entfernen Sie ihn nicht, sonst lässt sich der Druckhebel nicht mehr bedienen.

8. Die Auswahl des Auslöseverfahrens ist wichtig.

Lesen und verstehen Sie den Abschnitt „VERWENDUNG DES NAGLERS“ auf Seite 31.

9. Bevor Sie das Produkt benutzen, überzeugen Sie sich davon, dass es in Übereinstimmung mit dem Inhalt von „Den Nagler testen“ auf Seite 29 ordnungsgemäß funktioniert.

10. Benutzen Sie ausschließlich die vorgeschriebenen Nägel.

Es dürfen ausschließlich die in der Betriebsanleitung bezeichneten Befestigungsmittel verarbeitet werden.

11. Gehen Sie sorgsam beim Anschluss des Akkus vor.

Achten Sie beim Anschluss des Akkus und beim Laden von Nägeln auf Folgendes, damit es nicht zum versehentlichen Auslösen des Werkzeugs kommt.

- Berühren Sie auf keinen Fall den Auslöser.
- Achten Sie darauf, dass die Mündung nicht mit irgendeinem Gegenstand in Berührung kommt.

- Halten Sie die Mündung nach unten gerichtet. Beachten Sie unbedingt die obigen Anweisungen und sorgen Sie dafür, dass sich keine Körperteile, Hände oder Füße vor der Mündung des Gerätes befinden.

12. Berühren Sie niemals achtlos den Auslöser.

Berühren Sie den Auslöser mit dem Finger nur beim Nageln. Wenn Sie das Gerät tragen oder jemandem überreichen während Sie den Finger am Auslöser haben, können Sie unbeabsichtigt einen Schuss auslösen und so einen Unfall verursachen.

13. Drücken Sie die Mündung fest gegen das zu nagelnde Material.

Wenn Sie Nägel eintreiben, drücken Sie die Mündung fest gegen das zu nagelnde Material. Geschieht dies nicht sorgfältig, können die Nägel zurückschlagen.

14. Halten Sie Hände und Füße während des Arbeitens von der Mündung entfernt.



Es ist sehr gefährlich, wenn ein Nagel durch einen Fehler in die Hände oder Füße eindringt.

15. Schützen Sie sich vor dem Rückschlag des Gerätes.

Nähern Sie sich während des Arbeitens nicht mit dem Kopf oder anderen Körperteilen dem Oberteil des Gerätes. Dies ist gefährlich, da das Gerät heftig zurückschlagen kann, wenn ein Nagel auf einen vorher eingetriebenen oder auf einen Knoten im Holz trifft.

16. Nehmen Sie sich vor Doppelschüssen aufgrund des Rückstoßes in Acht.

Wenn der Druckhebel nach dem Rückstoß versehentlich wieder mit dem Werkstück in Kontakt kommt, wird eventuell unabsichtlich ein Nagel ausgeschossen. Um diese unbeabsichtigten Doppelschüsse zu vermeiden

- Periodischer Betrieb (Abzugauslösung)
 - 1) Stellen Sie die Schaltvorrichtung auf VOLLSEQUENZIELLER AUSLÖSEMCHANISMUS.
 - 2) Ziehen Sie schnell und fest am Auslöser.
- Dauerbetrieb (Druckhebelauslösung)
 - 1) Drücken Sie den Nagler nicht mit übermäßiger Kraft gegen das Holz.
 - 2) Lösen Sie den Nagler vom Holz, wenn der Rückstoß nach dem Nageln einsetzt.

17. Seien Sie vorsichtig beim Nageln von dünnen Brettern oder Holzkanten.

Beim Nageln von dünnen Brettern können die Nägel durchschlagen, wie dies auch beim Nageln von Holzkanten durch Querschläger geschehen kann. Achten Sie in solchen Fällen darauf, dass sich niemand (auch keine Hände, Füße etc.) hinter dem Brett oder in der Nähe des Holzes, das Sie gerade nageln befindet.

18. Gleichzeitiges Nageln auf beiden Seiten einer Wand ist gefährlich.

Unter keinen Umständen darf auf beiden Seiten derselben Wand gleichzeitig genagelt werden. Dies wäre gefährlich, da die Nägel durch die Wand schlagen könnten und so Verletzungen hervorrufen.

19. Verwenden Sie das Werkzeug nicht auf Gerüsten oder Leitern.

Das Werkzeug darf für bestimmte Anwendungen nicht verwendet werden, z.B.:

- wenn Änderung des Eintreibungsortes die Verwendung von Gerüsten, Treppen, Leitern oder leiterähnlichen Konstruktionen beinhaltet, z.B. Lattenwerk
- schließen von Kästen oder Kisten,
- angemessene Transportsicherheitsysteme, z.B. auf Fahrzeugen und Wägen

20. Nehmen Sie alle verbleibenden Nägel und den Akku aus dem Nagler, wenn:

- 1) Sie Wartungs- und Inspektionsarbeiten durchführen;
- 2) Sie die ordnungsgemäße Funktion von Druckhebel und Abzug prüfen;
- 3) Sie die Nasenabdeckung anbringen oder abnehmen;
- 4) Sie einen Stau beseitigen;
- 5) er nicht in Gebrauch ist;
- 6) Sie den Arbeitsbereich verlassen;
- 7) Sie ihn an einen anderen Ort bringen; und
- 8) wenn Sie ihn an eine andere Person übergeben.

Versuchen Sie niemals, einen Stau zu beseitigen oder den Nagler zu reparieren, wenn Sie nicht den Akku und alle verbleibenden Nägel aus dem Nagler entfernt haben.

Der Nagler sollte niemals unbeaufsichtigt bleiben, weil Personen, die nicht mit dem Nagler vertraut sind, ihn benutzen und sich dabei verletzen könnten.

21. Entnehmen Sie den Akku aus dem Nagler, wenn:

- 1) Sie Nägel nachfüllen;
- 2) Sie den Einsteller drehen.

22. Trennen Sie die Batterie ab.

Klemmen Sie den Akku ab, bevor Sie die Nasenkappe anbringen oder entfernen.

Klemmen Sie den Akku ab, bevor Sie die Nasenkappe des Zubehörs an der Spitze des Druckhebels anbringen oder sie davon entfernen. Ein versehentlich abgefeuerter Nagel kann sehr gefährlich sein.

23. Die zulässige Betriebstemperatur dieses Gerätes liegt zwischen 0°C und 40°C. Achten Sie daher bitte darauf, das Gerät nur innerhalb dieses Temperaturbereiches zu betreiben. Es kann vorkommen, dass das Gerät unterhalb 0°C oder oberhalb 40°C nicht mehr arbeitet.

24. Die Batterie immer bei einer Temperatur von 0–40°C laden.

Laden bei einer Temperatur, die niedriger als 0°C ist, wird gefährliche Überladung verursachen. Die Batterie kann nicht bei einer Temperatur über 40°C geladen werden. Die beste Temperatur zum Laden wäre von 20–25°C.

25. Das Ladegerät nicht fortlaufend laden.

Nach Beendigung einer Ladung lassen Sie das Ladegerät ungefähr 15 Minuten ruhen, bevor die nächste Batterieladung unternommen wird.

26. Keine Fremdkörper durch das Anschlußloch der Batterie eindringen lassen.

27. Niemals die Batterie und das Ladegerät auseinandernehmen.

28. Niemals die Batterie kurzschließen.

Kurzschluß der Batterie verursacht eine zu große Stromzufuhr und Überhitzung, wodurch Durchbrennen oder Schaden bei der Batterie entsteht.

29. Die Batterie nicht ins Feuer werfen.

Sie könnte dabei explodieren.

30. Benutzung einer verbrauchten Batterie beschädigt den Auflader.

31. Bringen Sie die Batterie zum Geschäft, wo Sie sie gekauft haben, sobald die Lebensdauer der Batterie abrinnt.

Die verbrauchte Batterie nicht wegwerfen.

32. Darauf achten, daß keine Gegenstände durch Belüftungsschlitze des Aufladers in das Gerät eindringen.

Wenn Metallobjekte oder entzündliche Gegenstände durch die Belüftungsschlitze des Aufladers eindringen, kann dies zu elektrischen Schlägen führen oder den Auflader beschädigen.

33. Lassen Sie es NIEMALS zu, dass Magnete (oder ähnliche magnetische Vorrichtungen) sich neben dem Nagler befinden, da der Nagler über einen Magnetsensor im Innern verfügt.

Das kann zu einem Versagen oder Verletzungsrisiko durch Fehlfunktion führen.

34. Lassen Sie das Gerät nach einer Dauerarbeit ruhen.

35. Das Werkzeug ist mit einer Temperatur-Schutzschaltung ausgestattet, um den Motor zu schützen. Kontinuierliche Arbeit kann zu einem Temperaturanstieg des Werkzeugs führen, was die Temperatur-Schutzschaltung aktiviert und den Betrieb automatisch stoppt. Sollte dies der Fall sein, lassen Sie das Werkzeug abkühlen, bevor Sie es wieder benutzen.

36. Dieses Produkt funktioniert möglicherweise nicht mehr, wenn eine Unregelmäßigkeit festgestellt wird. Überprüfen Sie in solchen Fällen die unter „FEHLERSUCHE“ auf Seite 35 aufgeführten Punkte.

37. Setzen Sie die Schalttafel nicht starken Erschütterungen aus oder beschädigen sie. Dies kann zu einer Fehlfunktion führen.

38. Verwenden Sie das Produkt nicht, wenn das Werkzeug oder die Akkuanschlüsse (Akkualterung) verformt sind.

Wenn der Akku eingesetzt wird, kann es zu einem Kurzschluss kommen, der zu Rauchentwicklung oder Entzündung führen kann.

39. Halten Sie die Anschlüsse am Werkzeug (Akkualterung) frei von Spänen und Staub.

○ Stellen Sie vor der Verwendung sicher, dass sich keine Späne und kein Staub im Bereich der Anschlüsse angesammelt haben.

○ Versuchen Sie während des Einsatzes zu vermeiden, dass Späne oder Staub vom Werkzeug auf den Akku fallen.

○ Lassen Sie das Werkzeug in einer Arbeitspause oder nach dem Einsatz nicht in einem Bereich liegen, in dem es herabfallenden Spänen oder Staub ausgesetzt sein kann.

Das könnte einen Kurzschluss verursachen, der zu Rauchentwicklung oder Entzündung führen kann.

WARNUNG ZUM LITHIUM-IONEN- AKKU

Um die Lebensdauer des Lithium-Ionen-Akkus zu verlängern, ist dieser mit einer Schutzfunktion zum Stoppen der Leistungsabgabe ausgestattet.

In den unten beschriebenen Fällen 1 bis 3 kann bei der Benutzung dieses Produkts der Motor abschalten, selbst wenn Sie den Schalter drücken. Dies ist kein Defekt sondern das Resultat der Schutzfunktion.

1. Wenn die verbleibende Akkuleistung nicht mehr ausreichend, schaltet der Motor ab.

Laden Sie in einem solchen Fall den Akku umgehend auf.

2. Wenn das Werkzeug überlastet ist, kann es zum Abschalten des Motors kommen. Lassen Sie in diesem Fall den Schalter des Werkzeugs los und beseitigen Sie die Ursache der Überlastung. Danach können Sie das Werkzeug wieder verwenden.

3. Kommt es während des Betriebs zu einer Überhitzung der Batterie, wird das Gerät unter Umständen angehalten.

Unterbrechen Sie in diesem Fall Ihre Arbeit und lassen Sie die Batterie abkühlen. Danach können Sie das Werkzeug wieder verwenden.

Bitte beachten Sie die folgenden Warnhinweise.

WARNUNG

Zur Vermeidung eines Auslaufens der Batterie, Erwärmung, Rauchentwicklung, Explosionen und vorzeitiger Zündung beachten Sie bitte die folgenden Vorsichtsmaßnahmen.

1. Stellen Sie sicher, dass sich keine Späne und Staub auf der Batterie ansammeln.

○ Stellen Sie während der Arbeit sicher, dass keine Späne und Staub auf die Batterie fallen.

Deutsch

- Stellen Sie sicher, dass sich Staub und Späne, die während der Bearbeitung auf das Elektrowerkzeug fallen, nicht auf der Batterie ansammeln.
- Lagern Sie ungebrauchte Batterien nicht an Plätzen, an denen Staub oder Späne anfallen.
- Vor dem Einlagern einer Batterie sind sämtlicher Staub und Späne zu entfernen. Weiterhin ist zu berücksichtigen, dass die Batterie nicht zusammen mit Metallteilen (Schrauben, Nägel, usw.) gelagert werden darf.
- 2. Achten Sie darauf, dass die Batterie nicht durch einen spitzen Gegenstand, beispielsweise einen Nagel, beschädigt wird. Vermeiden Sie Schläge mit dem Hammer. Treten Sie nicht gegen die Batterie, werfen Sie diese nicht, und vermeiden Sie schwere Stöße.
- 3. Beschädigte oder verformte Batterien dürfen nicht weiter verwendet werden.
- 4. Achten Sie auf den richtigen Anschluss der Pole.
- 5. Schließen Sie die Batterie nicht direkt an Stromsteckdosen oder Zigarettenanzünder im Auto an.
- 6. Verwenden Sie die Batterie nur für den angegebenen Zweck.
- 7. Falls die Batterie nach Verstreichen der angegebenen Ladezeit nicht vollständig aufgeladen ist, brechen Sie den Ladevorgang unverzüglich ab.
- 8. Vermeiden Sie hohe Temperaturen und hohen Druck, wie er beispielsweise in der Mikrowelle, einem Trockner, oder einem Hochdruckbehälter auftritt.
- 9. Halten Sie die Batterie sofort von offenen Flammen fern, wenn Sie ein Leck oder üblen Geruch feststellen.
- 10. Vermeiden Sie eine Verwendung an Orten, an denen starke statische Elektrizität erzeugt wird.
- 11. Werden ein Leck, übler Geruch, Erwärmung, Verfärbungen, Verformungen oder sonstige Anomalitäten während der Verwendung, des Aufladens oder der Lagerung festgestellt, entfernen Sie die Batterie unverzüglich vom Werkzeug oder vom Ladegerät und beenden Sie die Verwendung.
- 12. Tauchen Sie den Akku nicht ins Wasser und lassen Sie keine Flüssigkeiten ins Innere gelangen. Leitfähige Flüssigkeiten, wie z. B. Wasser, können Schäden verursachen, die zu einem Brand oder einer Explosion führen. Lagern Sie Ihren Akku an einem kühlen, trockenen Ort, fern von brennbaren und entzündlichen Gegenständen. Korrosive Gase in der Atmosphäre müssen gemieden werden.

VORSICHT

1. Tritt die auslaufende Flüssigkeit in Kontakt mit Ihren Augen, reiben Sie diese nicht, sondern waschen Sie sie mit sauberem Leitungswasser gut aus und suchen Sie unverzüglich einen Arzt auf.
Ohne sachgemäße Behandlung können Augenverletzungen auftreten.
2. Wenn die ausgelaufene Flüssigkeit auf Haut oder Kleidung trifft, waschen Sie diese unverzüglich mit sauberem Wasser ab.
Es besteht die Gefahr von Hautreizungen.
3. Beim Auftreten von Rost, üblem Geruch, Erwärmung, Verfärbungen, Verformungen oder sonstigen Anomalitäten während der ersten Verwendung der Batterie, ist diese nicht weiter zu verwenden. Bringen Sie die Batterie zum Händler oder Verkäufer zurück.

WARNUNG

Wenn ein leitfähiger Fremdkörper in das Gehäuse einer Lithiumionenbatterie eindringt, kann sie kurzgeschlossen und ein Brand verursacht werden. Befolgen Sie beim Lagern einer Lithiumionenbatterie unbedingt folgende Regeln:

- Legen Sie in das Aufbewahrungsetui keine leitfähigen Trümmer, Nägel und Drähte wie etwa Eisen- und Kupferdrähte.
- Laden Sie, damit kein Kurzschluss auftreten kann, die

Batterie in das Werkzeug oder schieben Sie sie sicher in die Batteriehülle zum Lagern so weit ein, dass der Ventilator nicht sichtbar ist.

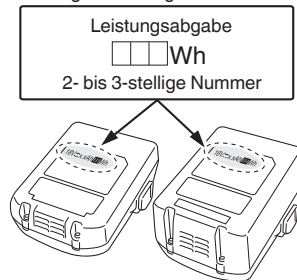
BEZÜGLICH DES TRANSPORTS VON LITHIUM-IONEN-BATTERIEN

Beim Transport von Lithium-Ionen-Batterien beachten Sie bitte die folgenden Vorsichtsmaßnahmen.

WARNUNG

Weisen Sie die Transportfirma darauf hin, dass ein Paket eine Lithium-Ionen-Batterie enthält, informieren Sie das Unternehmen über ihre Leistungsabgabe und befolgen Sie die Anweisungen der Transportfirma, wenn Sie den Transport in die Wege leiten.

- Lithium-Ionen-Batterien, die eine Leistungsabgabe von 100 Wh überschreiten, werden in der Einstufung des Frachtguts als Gefahrgüter angesehen und erfordern spezielle Anwendungsverfahren.
- Für den Transport über Straßen müssen die internationalen Gesetze und die Regeln und Vorschriften des Bestimmungslands eingehalten werden.



BEZEICHNUNG DER TEILE

(Abb. 1 – Abb. 28)





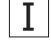




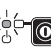

①	Obere Abdeckung
②	Auslöser
③	LED-Leuchte
④	Schusskopf (Auslass)
⑤	Druckhebel
⑥	Nagelzuführung (A)
⑦	Nagelzuführung (B)
⑧	Magazin
⑨	Haken
⑩	Akku
⑪	Schaltsperrhebel
⑫	Handgriff
⑬	Stopphebel
⑭	Schalter der Akkukontrollleuchte
⑮	Akkukontrollleuchte
⑯	Nagelbetriebsschalter
⑰	Netzanzeige
⑱	Ein-/Aus-Schalter








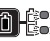




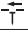


19	Kontrollleuchte für den Nagelbetrieb
20	Nagelstreifen
21	Magazinabdeckung
22	Nut
23	Klingenführung
24	Einsteller
25	Hakenplatte
26	Nasenabdeckung
27	Sperrhebel
28	Führungsplatte

SYMBOLE

WARNUNG

Die folgenden Symbole werden für diese Maschine verwendet. Achten Sie darauf, diese vor der Verwendung zu verstehen.

	NT 1865DBAL: Kabelloser Stauchkopf-Nagler NT 1865DBSL: Kabelloser Stauchkopf-Nagler NT 1850DBSL: Kabelloser Stiftnagler
	Der Anwender muss die Bedienungsanleitung lesen, um das Risiko einer Verletzung zu verringern.
	Nur für EU-Länder Werfen Sie Elektrowerkzeuge nicht in den Hausmüll! Gemäß der Europäischen Richtlinie 2012/19/EU über Elektro- und Elektronik-Altgeräte und Umsetzung in nationales Recht müssen verbrauchte Elektrowerkzeuge getrennt gesammelt und einer umweltgerechten Wiederverwertung zugeführt werden.
	Gleichstrom
	Einschalten ON
	Ausschalten OFF
	Batterie abtrennen
	Ein-/Aus-Schalter
	Ein-/Ausschalter AUS
	Ein-/Aus-Schalter EIN Netzanzeige: Leuchtet grün
	Nagelbetriebsschalter

	VOLLSEQUENZIELLER AUSLÖSEMECHANISMUS
	Modus VOLLSEQUENZIELLER AUSLÖSEMECHANISMUS Kontrollleuchte für den Nagelbetrieb: Leuchtet blau
	KONTAKTAUSLÖSEMECHANISMUS
	Modus KONTAKTAUSLÖSEMECHANISMUS Kontrollleuchte für den Nagelbetrieb: Blinkt blau
	Auslöser verriegelt
	Auslöser entriegelt
	Schalter der Akkukontrollleuchte
	Die verbleibende Akkuladung ist ausreichend Akkukontrollleuchte: 2 LEDs (rot) leuchten
	Es verbleibt etwa die Hälfte der Akkuladung. Akkukontrollleuchte: 1 LED (rot) leuchtet
	Der Akku ist fast leer. Laden Sie den Akku so bald wie möglich wieder auf. Akkukontrollleuchte: 1 LED (rot) blinkt
	Wenden Sie sich wegen einer Inspektion an HiKOKI. Akkukontrollleuchte: 2 LEDs blinken orange, nach 10 Sekunden schaltet sich der Ein-/Ausschalter automatisch ab.
	Flache Seite
	Tiefe Seite
	Warnung
	Unzulässige Handlung

TECHNISCHE DATEN

1. Kabelloser Stauchkopf-Nagler

Modell		NT1865DBAL		NT1865DBSL	
Motor		Bürstenloser Gleichstrommotor		Bürstenloser Gleichstrommotor	
Verwendbare Nägel		15 Ga (Winkel: 34°)		16 Ga	
Länge der verwendbaren Nägel		32 mm bis 65 mm		25 mm bis 65 mm	
Nagelkapazität [Stück]		100 (1 Streifen)		100 (2 Streifen)	
Auslösemodus		Vollsequenziell/Kontakt (wählbar)		Vollsequenziell/Kontakt (wählbar)	
Zyklus	[nägel/sekunde]	3 (periodisch)		3 (periodisch)	
Akku	Modell	BSL1830C		BSL1830C	BSL1850
	Typ	Li-Ionen-Akku			
	Spannung	18 V Gleichstrom			
Gewicht*		3,5 – 4,1 kg		3,4 – 4,0 kg	
Abmessungen Höhe x Länge x Breite		344 mm x 300 mm x 104 mm		315 mm x 298 mm x 104 mm	315 mm x 310 mm x 104 mm

* Gemäß EPTA-Verfahren 01/2014

Ist von der angeschlossenen Batterie abhängig. Das höchste Gewicht wurde mit der BSL36B18 gemessen (separat erhältlich).

2. Kabelloser Stiftnagler

Modell		NT1850DBSL	
Motor		Bürstenloser Gleichstrommotor	
Verwendbare Nägel		18 Ga	
Länge der verwendbaren Nägel		16 mm bis 50 mm	
Nagelkapazität [Stück]		100 (1 Streifen)	
Auslösemodus		Vollsequenziell/Kontakt (wählbar)	
Zyklus	[nägel/sekunde]	3 (periodisch)	
Akku	Modell	BSL1830C	BSL1850
	Typ	Li-Ionen-Akku	
	Spannung	18 V Gleichstrom	
Gewicht*		3,3 – 4,0 kg	
Abmessungen Höhe x Länge x Breite		323 mm x 298 mm x 104 mm	323 mm x 310 mm x 104 mm

* Gemäß EPTA-Verfahren 01/2014

Ist von der angeschlossenen Batterie abhängig. Das höchste Gewicht wurde mit der BSL36B18 gemessen (separat erhältlich).

3. Akkuladegerät

Modell	UC18YFSL	UC18YML2
Ladespannung	14,4 – 18 V Gleichstrom	
Gewicht	0,5 kg	0,7 kg

HINWEIS

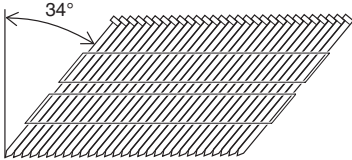
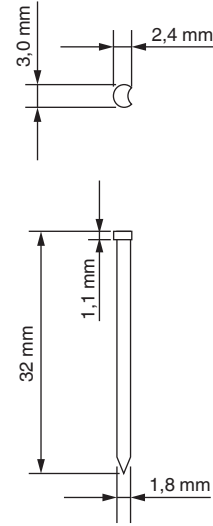

Aufgrund des ständigen Forschungs- und Entwicklungsprogramms von HiKOKI sind Änderungen der hier gemachten technischen Angaben vorbehalten.

NAGELAUSWAHL

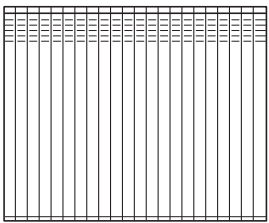
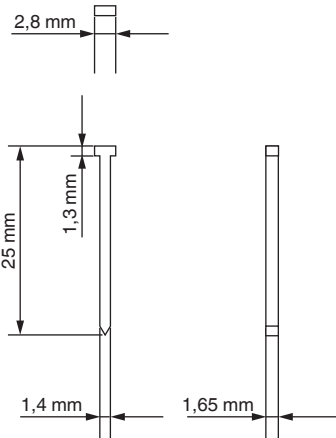

Es können nur die in der nachstehenden Tabelle aufgeführten Nägel mit diesem Nagler verwendet werden.

Abmessungen der Nägel

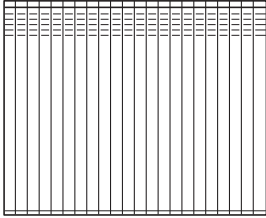
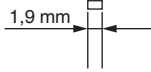
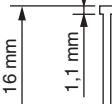
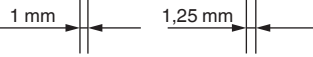

<NT1865DBAL>

	Min.	Max.
<p>Stauchkopfnägel 15 Gauge (Winkel: 34°)</p> 		

<NT1865DBSL>

	Min.	Max.
<p>Stauchkopfnägel 16 Gauge (gerade)</p> 		

<NT1850DBSL>

	Min.	Max.
<p>Stiftnägel 18 Gauge (gerade)</p> 	 <p>1,9 mm</p>  <p>1,6 mm 1,1 mm</p>  <p>1 mm 1,25 mm</p>	 <p>50 mm</p>
<p>Außer Nägel mit einer Länge von 35 mm</p>		

STANDARDZUBEHÖR

Zusätzlich zum Hauptgerät (1 Gerät) enthält die Packung die auf Seite 378 aufgelisteten Zubehöre. Das Standardzubehör kann ohne vorherige Bekanntmachung jederzeit geändert werden.

VERWENDUNG

<NT1865DBAL, NT1865DBSL>

- Nageln als Fertigstellungsprozess für Bereiche um die Türen, Fenster, sowie Kanten.
- Befestigen der Unterseite von Schubladen. Herstellen von verschiedenen Kästen und Schränken.

<NT1850DBSL>

- Zusammenbau von Schränken und Bilderrahmen, Möbel verzerien.
- Innenausbau und Formenbau in der Werkstatt und mobil.

LADEN

Vor Gebrauch des Elektrowerkzeugs den Akkumulator wie folgt laden.

1. Anschließen an die Stromquelle. (Abb. 3) Laden der Batterie von einer Wechselstromquelle

- Den Netzstecker des Ladegeräts in eine Steckdose einstecken.
Wenn der Stecker des Ladegeräts in eine Steckdose eingesteckt wird, blinkt die Anzeigelampe rot (in Intervallen zu 1 Sekunde).

VORSICHT

Benutzen Sie das Stromkabel nicht, wenn es beschädigt ist. Lassen Sie es sofort reparieren.

Laden der Batterie von einer Gleichstromquelle zu 12 V im Auto (UC18YML2)

- Befestigen Sie das Batterieladegerät an seinem Ort im Auto.
Benutzen Sie den mit dem Batterieladegerät mitgelieferten Gurt, um es an seinem Ort zu befestigen, sodass es sich nicht unversehens bewegen kann. (Siehe **Abb. 28**)

VORSICHT

Legen Sie das Batterieladegerät oder den Akku nicht unter den Fahrersitz. Sichern Sie das Batterieladegerät an seinem Ort, sodass es sich nicht unversehens bewegen kann, da dies zu einem Unfall führen könnte.



Abb. 28

- Schieben Sie den Stecker für Zigarettenanzünder in den Steckplatz des Zigarettenanzünders ein.
Wenn der Stecker locker sein sollte und aus dem Steckplatz des Zigarettenanzünders herausfällt, reparieren Sie den Steckplatz. Da der Steckplatz defekt sein könnte, ist es empfehlenswert, dass Sie sich an Ihren örtlichen Autohändler wenden. Eine weitere Benutzung des Steckplatzes kann zu einem Unfall durch Überhitzung führen.
- 2. **Legen Sie die Batterie in das Ladegerät ein.**
Setzen Sie den Akkumulator so in das Ladegerät ein, dass die Linie sichtbar ist, wie in **Abb. 3** gezeigt.
Beim UC18YFSL werden keine Linien angezeigt. Achten Sie darauf, dass der Akku fest eingesetzt ist.
- 3. **Laden**
Beim Einlegen einer Batterie in das Ladegerät beginnt der Ladevorgang und die Kontrolllampe leuchtet kontinuierlich rot.
Wenn die Batterie voll aufgeladen ist, blinkt die Kontrolllampe rot. (In Abständen von 1 Sekunde) (Siehe **Tabelle 1**)
- (1) **Kontrolllampe**
Die Anzeigen der Kontrolllampe entsprechend dem Zustand des Ladegerätes oder des Akkus sind in **Tabelle 1** angegeben.

Tabelle 1

<UC18YFSL>

Anzeigen der Kontrolllampe				
Kontrolllampe (rot)	Vor dem Laden	Blinkt	Leuchtet 0,5 Sekunden lang. Erlischt 0,5 Sekunden lang. (Aus für 0,5 Sekunden)	/
	Beim Laden	Leuchtet	Leuchtet beständig	
	Laden abgeschlossen	Blinkt	Leuchtet 0,5 Sekunden lang. Erlischt 0,5 Sekunden lang. (Aus für 0,5 Sekunden)	
	Wegen Überhitzung angehalten	Blinkt	Leuchtet 1 Sekunde lang. Erlischt 0,5 Sekunden lang. (Aus für 0,5 Sekunden)	Akku überhitzt. Laden nicht möglich (Ladevorgang wird nach Abkühlen des Akkus gestartet).
	Laden nicht möglich	Flackert	Leuchtet 0,1 Sekunden lang. Erlischt 0,1 Sekunden lang. (Aus für 0,1 Sekunden)	Betriebsstörung im Akku oder im Ladegerät

<UC18YML2>

Anzeigen der Kontrolllampe				
Die Bereitschaftsanzeige leuchtet oder blinkt rot.	Vor dem Laden	Blinkt	Leuchtet 0,5 Sekunden lang. Erlischt 0,5 Sekunden lang. (Aus für 0,5 Sekunden)	/
	Beim Laden	Leuchtet	Leuchtet beständig	
	Laden abgeschlossen	Blinkt	Leuchtet 0,5 Sekunden lang. Erlischt 0,5 Sekunden lang. (Aus für 0,5 Sekunden)	
	Laden nicht möglich	Flackert	Leuchtet 0,1 Sekunden lang. Erlischt 0,1 Sekunden lang. (Aus für 0,1 Sekunden)	Betriebsstörung im Akku oder im Ladegerät
Die Bereitschaftsanzeige leuchtet oder blinkt grün.	Wegen Überhitzung angehalten	Leuchtet	Leuchtet beständig	Akku überhitzt. Laden nicht möglich (Ladevorgang wird nach Abkühlen des Akkus gestartet).
	Laden mit Auto-Stromquelle nicht möglich	Blinkt	Leuchtet 0,5 Sekunden lang. Erlischt 0,5 Sekunden lang. (Aus für 0,5 Sekunden)	12-V-Gleichstromversorgung ist fehlerhaft

HINWEIS: Bei Standby zum Abkühlen des Akkus kühlen UC18YML2 den überhitzten Akku mit einem Kühlgebläse. (Das Kühlgebläse funktioniert jedoch nicht beim Aufladen des Akkus mit einer 12 V DC Auto-Stromquelle.)

- (2) Über die Temperatur der Akkubatterie
Die Temperaturen für Akkus sind in **Tafel 2** gezeigt. Erhitzte Batterien vor dem Laden abkühlen lassen.

Tafel 2 Aufladebereiche für Batterie

Akkubatterien	Temperaturen, bei denen die Batterie geladen werden kann
BSL1830C, BSL1850	0°C – 50°C

Tafel 3 Aufladzeit (bei 20°C)
(AC-Steckdose / 12 VDC-Zigarettenanzünder)

Batterie \ Ladegerät	UC18YFSL	UC18YML2
BSL1830C	Etwa. 45 min	Etwa. 45 / 120 min
BSL1850	Etwa. 75 min	Etwa. 75 / 200 min

HINWEIS

Die Aufladzeit kann je nach Umgebungstemperatur und Spannung der Stromquelle unterschiedlich sein. <UC18YML2> Insbesondere das Aufladen mit einer 12 V DC Auto-Stromquelle kann bei hohen Temperaturen eine längere Ladezeit erfordern.

- (3) Über die Aufladzeit
Je nach Kombination von Ladegerät und Batterien wird die Aufladzeit wie in **Tafel 3** gezeigt.

Deutsch

VORSICHT

Wenn das Ladegerät ständig in Betrieb war, wird es heiß, das stellt eine Ursache für Ausfälle dar. Sobald der Ladevorgang abgeschlossen ist, lassen Sie das Ladegerät vor dem nächsten Ladevorgang 15 Minuten ruhen.

- Ziehen Sie den Stecker des Ladegerätes aus der Steckdose oder aus dem Zigarettenanzünder.**
- Halten Sie das Ladegerät fest und ziehen Sie die Batterie heraus.**

HINWEIS

Ziehen Sie den Akku nach Benutzung des Ladegeräts unbedingt aus diesem heraus und bewahren Sie ihn dann auf.

Zur Leistung von neuen Batterien

Da die Batteriechemikalien von neuen Batterien und Batterien, die längere Zeit über nicht verwendet wurden, noch nicht bzw. nicht mehr aktiv sind, kann die Leistung von beim ersten und zweiten Einsatz niedrig sein. Dies ist eine vorübergehende Erscheinung, und die normale Batterieleistung wird nach zwei- oder dreimaligem Aufladen der Batterien wieder hergestellt.

Verlängerung der Lebensdauer von Batterien

- Die Batterien aufladen, bevor sie völlig erschöpft sind. Wenn festgestellt wird, daß die Leistung des Werkzeugs nachläßt, mit der Arbeit aufhören und die Batterie aufladen. Wenn das Werkzeug weiter verwendet wird und die Batterie völlig erschöpft wird, kann die Batterie beschädigt und ihre Lebensdauer verkürzt werden.
- Nicht bei hohen Temperaturen aufladen. Eine Akkubatterie erhitzt sich bei der Verwendung. Wenn solch eine Batterie sofort nach der Verwendung aufgeladen wird, werden die Batteriechemikalien beeinträchtigt, und die Batterielebensdauer nimmt ab. Die Batterie etwas stehen lassen und erst aufladen, wenn sie sich abgekühlt hat.

VORSICHT

- Wenn der Akku geladen wird, während er heiß ist, weil er längere Zeit direkter Sonneneinstrahlung ausgesetzt oder eben erst in Gebrauch war, leuchtet die Kontrolllampe des Ladegeräts 1 Sekunde lang auf und erlischt dann für 0,5 Sekunden (aus für 0,5 Sekunden) (UC18YFSL) oder sie leuchtet grün. (UC18YML2). In diesem Fall zuerst die Batterie abkühlen lassen und erst dann mit dem Aufladen beginnen.
- Wenn die Ladungsstatuslampe rot flackert (in Intervallen von 0,2 Sekunden), den Batterieanschluss des Ladegerätes auf Fremdkörper kontrollieren und diese ggf. entfernen. Wenn keine Fremdkörper vorhanden sind, liegt wahrscheinlich eine Fehlfunktion bei der Batterie oder beim Ladegerät vor. Die Teile vom autorisierten Kundendienst prüfen lassen.
- Da der eingebaute Mikrocomputer etwa 3 Sekunden braucht, um zu bestätigen, daß die im UC18YFSL / UC18YML2 zum Laden eingelegte Batterie herausgenommen wird, warten Sie mindestens 3 Sekunden, bevor Sie die Batterie zum Fortsetzen des Aufladens einlegen. Wenn die Batterie innerhalb von 3 Sekunden eingelegt wird, kann es sein, daß sie nicht richtig geladen wird.
- Wenn die Kontrolllampe grün blinkt (einmal pro Sekunde), muss die Spannung der Fahrzeug-Stromquelle überprüft werden. (UC18YML2) Beträgt die Spannung 12 V oder weniger, bedeutet das, dass die Autobatterie schwach geworden ist und kein Ladevorgang möglich ist.

- Wenn die Kontrolllampe nicht rot blinkt (alle Sekunden), obwohl das Stromkabel oder der Stecker für den Zigarettenanzünder an der Stromquelle eingesteckt ist, bedeutet das, dass möglicherweise der Schutzstromkreis des Ladegeräts aktiviert wurde. Ziehen Sie den Stecker aus der Steckdose oder dem Steckplatz und stecken Sie ihn nach etwa 30 Sekunden wieder ein. Blinkt dann die Kontrolllampe immer noch nicht (alle Sekunden), bringen Sie das Ladegerät bitte zu einem autorisierten Servicezentrum von HiKOKI.

VOR INBETRIEBNAHME

Aktion	Abbildung	Seite
Herausnehmen und Einlegen des Akkus	2	379
Laden	3	380
Auswahl von Zubehör	—	385

1. Umgang mit dem Bedienfeld

- Ein-/Aus-Schalter EIN (Siehe **Abb. 4**)
Halten Sie im Zustand „Ein-/Ausschalter AUS“ den Ein-/Ausschalter länger als eine Sekunde gedrückt, dann leuchtet die Netzanzeige grün.

HINWEIS

Betätigen Sie den Druckhebel nicht und ziehen Sie nicht am Auslöser, während Sie den Ein-/Ausschalter auf EIN stellen. Dies führt dazu, dass sich der Ein-/Ausschalter nicht auf EIN schalten lässt.

[Automatische Abschaltung]

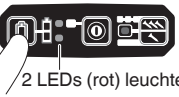
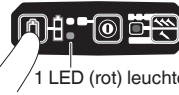
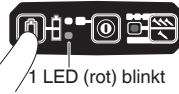
Wenn das Gerät eingeschaltet ist, aber der Nagler 30 Minuten lang nicht benutzt wird, schaltet sich der Nagler automatisch aus. Drücken Sie den Ein-/Ausschalter, um ihn wieder einzuschalten.

WARNUNG

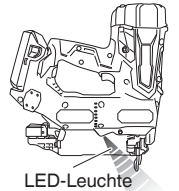

- Lassen Sie den Nagler niemals eingeschaltet liegen. Dadurch könnte ein Unfall verursacht werden.
- Ein-/Aus-Schalter AUS (Siehe **Abb. 4**)
Halten Sie im Zustand „Ein-/Ausschalter EIN“ den Ein-/Ausschalter länger als eine Sekunde gedrückt, dann erlischt die Netzanzeige. Im Zustand „Ein-/Ausschalter EIN“ sind die nachstehenden Funktionen aktiv.
 - Auswahl des Nagelbetriebsmodus (Vollsequenzielle Auslösung/Kontaktauslösung)
Nach dem EIN-schalten des Ein-/Ausschalters ist zuerst immer der Modus Vollsequenzielle Auslösung aktiviert. (Die Nagelbetriebsanzeige leuchtet blau.) (Siehe **Abb. 5**) Um den Nagelbetriebsmodus zu ändern, drücken Sie einmal den Nagelbetriebsschalter. Bei jedem Drücken wechselt der Modus zwischen „Vollsequenziell“ und „Kontakt“. (Siehe **Abb. 6**)
Leuchtet (blau):

VOLLSEQUENZIELLER AUSLÖSEMECHANISMUS,
Blinkt (blau):
KONTAKTAUSLÖSEMECHANISMUS

- (4) Prüfen Sie den verbleibenden Akkuladestand
Wenn Sie den Schalter der Akkuanzeige drücken, zeigt die Akkuanzeige den Ladestand wie folgt mit den LED-Leuchten an.

Status der Anzeige	
 <p>2 LEDs (rot) leuchten</p>	Die verbleibende Akkuladung ist ausreichend.
 <p>1 LED (rot) leuchtet</p>	Es verbleibt etwa die Hälfte der Akkuladung.
 <p>1 LED (rot) blinkt</p>	Der Akku ist fast leer. Laden Sie den Akku so bald wie möglich wieder auf.

- (5) Andere Funktionen
Bei einer Funktionsstörung leuchten die LED-Lampen wie folgt auf.

Status der Anzeige	
 <p>LED-Leuchte</p> <p>LED-Leuchte blinkt gleichmäßig.</p> <ul style="list-style-type: none"> • Bei zu hoher Betriebstemperatur Blinken im Abstand von 1 Sekunde. • Bei zu niedriger Betriebstemperatur Blinken im Abstand von 0,5 Sekunden. <p>Nach 10 Sekunden schalten sich die LED-Leuchte und der Ein-/Ausschalter automatisch aus.</p>	Das Werkzeug ist zu kalt (unter -5°C oder zu heiß). Lassen Sie den Nagler abkühlen bzw. wärmen Sie ihn auf eine geeignete Temperatur auf.
 <p>2 LEDs blinken orange, nach 10 Sekunden schaltet sich der Ein-/Ausschalter automatisch ab.</p>	Wenden Sie sich wegen einer Inspektion an HiKOKI.

- (6) Benutzung des LED-Lichts (Siehe **Abb. 7**)
Wenn der Ein-/Ausschalter eingeschaltet ist, leuchtet die LED-Leuchte an der Spitze des Werkzeugs automatisch auf.

VORSICHT

- Setzen Sie Ihre Augen dem Licht nicht direkt aus, indem Sie in die Leuchte blicken.
Wenn Ihr Auge dem Licht länger ausgesetzt wird, kann das Ihr Auge verletzen.


- Wischen Sie etwaigen Schmutz oder Ruß vom Glas des LED-Lichts mit einem weichen Tuch ab, achten Sie dabei darauf, das Glas nicht zu zerkratzen.
Kratzer auf dem Glas des LED-Lichts können dazu führen, dass die Helligkeit abnimmt.



2. Auslösesperre (Siehe **Abb. 8**)

WARNUNG

Vergewissern Sie sich, dass der Auslöser gesperrt ist, wenn Sie nicht nageln.

Dieser Nagler hat einen Sperrmechanismus, der verhindert, dass Nägel verschossen werden.

Stellen Sie den Schaltersperrhebel in die Stellung , um den Auslöser zu sperren.

Schieben Sie den Schaltersperrhebel in die Stellung , wenn der Nagler benutzt werden soll, und in die Stellung , wenn er nicht gebraucht wird.

3. Den Nagler testen

WARNUNG

- Vergewissern Sie sich, dass der Auslöser gesperrt ist, wenn Sie nicht nageln. (Siehe **Abb. 8**)

- Benutzen Sie niemals den Nagler, wenn der Druckhebel nicht ordnungsgemäß funktioniert.

Im NT1865DBAL und NT1865DBSL kommt ein Schutzmechanismus zum Einsatz, der den Betrieb ohne Nägel verhindert.

Der NT1865DBAL und NT1865DBSL wird dann in einen Zustand versetzt, in dem der Druckhebel nicht hochgedrückt werden kann. Dies erfolgt, wenn das Magazin nicht mit Nägeln gefüllt ist oder wenn die verbleibende Anzahl Nägel weniger als 6 oder 9 beträgt.

VORSICHT

Seien Sie vorsichtig, dass die Spitze des Druckhebels nicht gegen das Holz gestoßen wird.

Testen Sie den Nagler nach der unten stehenden Checkliste, bevor Sie mit den Nagelarbeiten beginnen. Führen Sie die Tests in der folgenden Reihenfolge aus.

Wenn ein ungewöhnlicher Betriebszustand auftritt, benutzen Sie den Nagler nicht mehr und wenden Sie sich sofort an ein HiKOKI-Kundendienstzentrum.

- (1) ENTFERNEN SIE ALLE NÄGEL UND DEN AKKU AUS DEM NAGLER.

ALLE SCHRAUBEN MÜSSEN FESTGEZOGEN SEIN.

DER DRUCKHEBEL UND DER AUSLÖSER MÜSSEN SICH LEICHT BEWEGEN LASSEN, wenn die Nagelzuführung (B) zurückgezogen wird. (NT1850DBSL: die Nagelzuführung muss nicht zurückgezogen werden)

- (2) Einsetzen des Akkus.

Betätigen Sie den Druckhebel und den Auslöser nicht, während Sie den Akku einsetzen. (Siehe **Abb. 2**)

- (3) Schalten Sie den Ein-/Ausschalter ein. (Siehe **Abb. 1**)

Schalten Sie den Ein-/Ausschalter ein, indem Sie den Ein-/Ausschalter länger als 1 Sekunde gedrückt halten. Vergewissern Sie sich, dass die Netzanzeige grün leuchtet und die Nagelbetriebsanzeige blau leuchtet. (VOLLSEQUENZIELLER AUSLÖSEMECHANISMUS)

HINWEIS

Betätigen Sie den Druckhebel nicht und ziehen Sie nicht am Auslöser, während Sie den Ein-/Ausschalter auf EIN stellen.

Dies führt dazu, dass sich der Ein-/Ausschalter nicht auf EIN schalten lässt.

[Automatische Abschaltung]

Wenn das Gerät eingeschaltet ist, aber der Nagler 30 Minuten lang nicht benutzt wird, schaltet sich der Nagler automatisch aus. Drücken Sie den Ein-/Ausschalter, um ihn wieder einzuschalten.

Deutsch

WARNUNG

Lassen Sie den Nagler niemals eingeschaltet liegen. Dadurch könnte ein Unfall verursacht werden.

Kontrollleuchte für den Nagelbetrieb

Leuchtet (blau):

VOLLSEQUENZIELLER AUSLÖSEMECHANISMUS,

Blinkt (blau):

KONTAKTAUSLÖSEMECHANISMUS

Überzeugen Sie sich davon, dass die Akkuanzeige nicht blinkt.

Wenn die Akkuanzeige rot blinkt, ist der Akkuladestand zu gering und er muss aufgeladen werden.

- (4) Nehmen Sie den Finger vom Auslöser und drücken Sie den Druckhebel gegen das Werkstück, während Sie die Nagelzuführung (B) zurückziehen.

DER NAGLER DARF NICHT AUSLÖSEN.

- (5) Lösen Sie den Druckhebel vom Werkstück. Zielen Sie als nächstes mit dem Nagler nach unten, ziehen Sie die Nagelzuführung (B) zurück, betätigen Sie den Auslöser und warten Sie in dieser Stellung mindestens 5 Sekunden.

DER NAGLER DARF NICHT AUSLÖSEN.

- (6) ① Berühren Sie den Auslöser nicht und drücken Sie den Druckhebel gegen das Werkstück, während Sie die Nagelzuführung (B) zurückziehen. Betätigen Sie dann den Auslöser.

DER NAGLER MUSS AUSLÖSEN.

- ② Halten Sie den Auslöser fest und drücken Sie den Druckhebel noch einmal gegen das Werkstück.

DER NAGLER DARF NICHT AUSLÖSEN.

- ③ Lösen Sie den Finger vom Auslöser. Als nächstes wird ① wieder ausgeführt.

DER NAGLER MUSS AUSLÖSEN.

- (7) Lösen Sie den Druckhebel vom Werkstück und betätigen Sie den Auslöser. Drücken Sie den Druckhebel innerhalb von 2 Sekunden gegen das Werkstück.

DER NAGLER DARF NICHT AUSLÖSEN.

- (8) Stellen Sie die Nagelbetriebsanzeige in den blinkenden EIN-Modus. (KONTAKTAUSLÖSEMECHANISMUS) Drücken Sie den Nagelbetriebsschalter einmal und überzeugen Sie sich davon, dass die Anzeige blau blinkt. Lösen Sie den Druckhebel vom Werkstück und betätigen Sie den Auslöser. Drücken Sie den Druckhebel innerhalb von 2 Sekunden gegen das Werkstück.

DER NAGLER MUSS AUSLÖSEN.

- (9) Wenn kein abweichender Vorgang festgestellt wird, können Sie Nägel in den Nagler einfüllen. Treiben Sie Nägel in ein Werkstück, das dem der tatsächlichen Anwendung entspricht.

DER NAGLER MUSS ORDNUNGSGEMÄSS FUNKTIONIEREN.

4. Überprüfung der Funktion des Druckhebels

WARNUNG

Vergewissern Sie sich, dass der Auslöser gesperrt ist, wenn Sie nicht nageln.

Gehen Sie stets sicher, dass der Auslöser verriegelt und der Akku vom Elektrogerät entfernt ist, bevor Sie die Funktion des Druckhebels überprüfen.

Überprüfen Sie, dass sich der Druckhebel leichtgängig betätigen lässt.

Reinigen Sie den Gleitbereich, wenn sich der Druckhebel nicht problemlos betätigen lässt.

5. Nägel einfüllen

WARNUNG

Beim Einfüllen von Nägeln in den Nagler

- 1) muss der Akku aus dem Nagler genommen werden;
- 2) darf der Auslöser nicht betätigt werden;
- 3) darf der Druckhebel nicht eingedrückt werden und
- 4) muss der Nagler nach unten zielen.

<NT1865DBAL, NT1865DBSL>

2 – Aktion Nägel zuführen!

- (1) Führen Sie den Nagelstreifen an der Rückseite des Magazins ein. (Siehe **Abb. 9**)

(2) Schieben Sie den Nagelstreifen nach vorn in das Magazin. (Siehe **Abb. 10**)

- (3) Drücken Sie die Nagelzuführung (A) nach vorn, damit die Nagelzuführung (B) in den Nagelstreifen eingreift. (Siehe **Abb. 11**)

HINWEIS

- Drücken Sie die Nagelzuführung (A) und die Nagelzuführung (B) ruhig gegen den Nagel.

Wenn die Nagelzuführung (A) und die Nagelzuführung (B) von der Rückseite des Magazins losgelassen werden und gegen den Nagel stoßen, kann das Verbindungsklebeband des Nagels beschädigt werden.

- Verwenden Sie Nagelstreifen mit mehr als 10 Nägeln.
- Verwenden Sie intakte Nagelstreifen mit Nägeln in einheitlicher Länge.

Der Nagler ist jetzt einsatzbereit.

Entfernen der Nägel:

- ① Ziehen Sie die Nagelzuführung (B) nach hinten. (Siehe **Abb. 12**)

② Schieben Sie die Nagelzuführung (B) ruhig wieder nach vorn und drücken Sie dabei die Nagelzuführung (A).

- ③ Ziehen Sie die Nägel aus der Rückseite des Magazins heraus. (Siehe **Abb. 13**)

<NT1850DBSL>

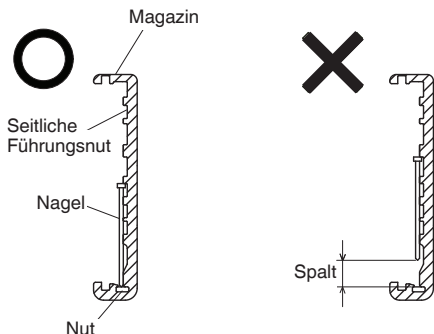
- (1) Drücken Sie leicht gegen den Stopphebel und ziehen Sie die Magazinabdeckung vorsichtig heraus. (Siehe **Abb. 14**)

(2) Setzen Sie den Nagelstreifen in das Magazin ein und achten Sie darauf, dass die Nagelspitzen in Kontakt mit der Nut sind. (Siehe **Abb. 15**)

HINWEIS

Die auf der Seite 26 gezeigten Nägel können ohne jede Anpassung in die seitliche Führungsnut des Magazins geladen werden.

Achten Sie darauf, dass die Nagelspitzen immer in Kontakt mit der Nut sind.



- (3) Schieben Sie den Nagelstreifen in die Klingenführung. (Siehe **Abb. 16**)
- (4) Überzeugen Sie sich davon, dass der Nagelstreifen ordnungsgemäß in die seitlichen Führungsnuten und die Nut eingreift und schieben Sie die Magazinabdeckung nach vorn, bis sie einrastet.

- Entnehmen Sie den Akku aus dem Nagler, wenn:
 - 1) Sie Nägel nachfüllen;
 - 2) Sie den Einsteller drehen.

Dieser HiKOKI-Nagler ist mit einer Nagelbetriebsschaltvorrichtung ausgestattet. Verwenden Sie die Einstellung **VOLLSEQUENZIELLE AUSLÖSUNG** oder **KONTAKTAUSLÖSEMECHANISMUS** je nach der auszuführenden Arbeit.

Erläuterung der unterschiedlichen Nagelfunktionen

- **VOLLSEQUENZIELLER AUSLÖSEMECHANISMUS:** Drücken Sie zuerst den Druckhebel gegen das Holz; betätigen Sie anschließend den Abzug, um den Nagel einzuschließen. Schießen Sie mit der gleichen Verfahrensweise weitere Nägel ein. Wenn Sie einen Nagel eingeschossen haben, ist das Einschließen des nächsten Nagels erst dann möglich, wenn Sie den Finger vom Auslöser nehmen und das Werkstück vollständig von der Holzoberfläche abheben.
- **KONTAKTAUSLÖSEMECHANISMUS:** Die **KONTAKTAUSLÖSUNG** kann nach zwei verschiedenen Verfahrensweisen erfolgen, je nach Ihrer Anwendung.

Um mehrere Nägel einzuschließen:

1. Ziehen Sie am Auslöser.
2. Drücken Sie den Druckhebel gegen das Holz, um den Nagel abzuschließen.
3. Wenn der Auslöser festgehalten wird, schießt bei jedem Druck des Druckhebels gegen das Holz ein Nagel heraus.

Um einen einzelnen Nagel einzuschließen:

1. Drücken Sie den Druckhebel gegen das Holz.
2. Betätigen Sie den Auslöser, um den Nagel abzuschließen.
3. Nehmen Sie Ihren Finger vom Auslöser und nehmen Sie den Nagler vom Holz weg.

[Sperrmechanismus gegen Leerabfeuerung]

Im NT1865DBAL und NT1865DBSL kommt ein Schutzmechanismus zum Einsatz, der den Betrieb ohne Nägel verhindert.

Der NT1865DBAL und NT1865DBSL wird dann in einen Zustand versetzt, in dem der Druckhebel nicht hochgedrückt werden kann. Dies erfolgt, wenn das Magazin nicht mit Nägeln gefüllt ist oder wenn die verbleibende Anzahl Nägel geringer als 6 oder 9 wird.

VORSICHT

Achten Sie darauf, die Spitze des Druckhebels nicht gegen das Holz zu stoßen, wenn der Druckhebel nicht hoch gedrückt werden kann.

1. Nagelverfahren

Dieser Nagler ist mit einem Druckhebel ausgestattet und funktioniert nicht, wenn der Druckhebel nicht betätigt wird.

Es gibt zwei Betriebsverfahren, mit denen Nägel mit diesem Nagler verschossen werden können.

Das sind:

1. Periodischer Betrieb (Abzugauslösung);
 2. Dauerbetrieb (Druckhebelauslösung);
- (1) Periodischer Betrieb (Abzugauslösung)
Verwendet die Einstellung **VOLLSEQUENZIELLER AUSLÖSEMECHANISMUS**. (Siehe **Abb. 17**)

WARNUNG

- Stellen Sie für den periodischen Betrieb den Nagelbetriebsschalter auf **VOLLSEQUENZIELLER AUSLÖSEMECHANISMUS** (Nagelbetriebsanzeige leuchtet blau). (d.h. auf **EINZEL-AUSLÖSEMECHANISMUS** stellen.)

- Zur Vermeidung von Doppelschüssen oder versehentlicher Auslösung durch den Rückstoß.

- 1) Auf **VOLLSEQUENZIELLER AUSLÖSEMECHANISMUS** stellen.
- 2) Ziehen Sie schnell und fest am Auslöser.

VERWENDUNG DES NAGLERS

WARNUNG

- Zielen Sie mit dem Werkzeug **NIEMALS** auf sich selbst oder andere Personen im Arbeitsbereich.
- Halten Sie Ihre Finger **FERN** vom Auslöser, wenn Sie nicht nageln, um eine versehentliche Auslösung zu verhindern.
- Benutzen Sie das Stromkabel nicht, wenn es beschädigt ist. Lassen Sie es sofort reparieren.
- Die Auswahl des Auslöseverfahrens ist wichtig. Bitte lesen und verstehen Sie „1. Nagelverfahren“ weiter unten.
- Überprüfen Sie vor Beginn der Arbeiten die Nagelbetriebsschaltvorrichtung. Dieser HiKOKI-Nagler verfügt über eine Nagelbetriebsschaltvorrichtung. Bevor Sie mit der Arbeit beginnen überzeugen Sie sich davon, dass die Schaltvorrichtung richtig eingestellt ist. Wenn die Schaltvorrichtung nicht richtig eingestellt ist, funktioniert der Nagler nicht richtig.
- Halten Sie während des Betriebs niemals Ihr Gesicht, Ihre Hände oder Füße in die Nähe des Schusskopfs.
- Schießen Sie keine Nägel auf andere Nägel und halten Sie den Nagler nicht in einem zu steilen Winkel; die Nägel können abprallen und jemanden verletzen.
- Treiben Sie keine Nägel in dünne Bretter oder in der Nähe von Ecken und Kanten des Werkstücks. Die Nägel können hindurch getrieben werden oder aus dem Werkstück austreten und jemanden treffen.
- Treiben Sie niemals gleichzeitig von beiden Seiten einer Wand Nägel ein. Die Nägel können in die Wand und durch sie hindurch getrieben werden und eine Person auf der gegenüberliegenden Seite treffen.
- Benutzen Sie niemals einen defekten Nagler oder einen, der nicht normal funktioniert.
- Verwenden Sie den Nagler nicht als Hammer.
- Nehmen Sie alle verbleibenden Nägel und den Akku aus dem Nagler, wenn:
 - 1) Sie Wartungs- und Inspektionsarbeiten durchführen;
 - 2) Sie die ordnungsgemäße Funktion von Druckhebel und Abzug prüfen;
 - 3) Sie die Nasenabdeckung anbringen oder abnehmen;
 - 4) Sie einen Stau beseitigen;
 - 5) er nicht in Gebrauch ist;
 - 6) Sie den Arbeitsbereich verlassen;
 - 7) Sie ihn an einen anderen Ort bringen; und
 - 8) wenn Sie ihn an eine andere Person übergeben.

Deutsch

- ① Stellen Sie den Nagelbetriebsschalter auf VOLLSEQUENZIELLER AUSLÖSEMECHANISMUS (Nagelbetriebsanzeige leuchtet blau). (um ihn auf den VOLLSEQUENZELLEN AUSLÖSEMECHANISMUS zu stellen). (Stellen Sie die Schaltvorrichtung vollständig auf den Modus, in dem die Nagelbetriebsanzeige blau leuchtet, wie in **Abb. 17** gezeigt. Andernfalls wird sie auf KONTAKTAUSLÖSEMECHANISMUS eingestellt.)
- ② Setzen Sie den Nagelass auf das Werkstück und halten Sie Ihren Finger fern vom Auslöser.
- ③ Drücken Sie den Druckhebel fest ein, bis er vollständig eingedrückt ist.
- ④ Betätigen Sie den Auslöser, um einen Nagel abzuschließen.
- ⑤ Nehmen Sie den Finger vom Auslöser und heben Sie das Werkstück vollständig von der Holzoberfläche ab. Um an einer anderen Stelle weiter zu nageln schieben Sie den Nagler am Holz entlang und wiederholen Sie die Schritte ② - ⑤ nach Bedarf.

HINWEIS

- Die Bedienschritte ③ und ④ sollten innerhalb von 2 Sekunden nacheinander ausgeführt werden. Wenn mehr als 2 Sekunden nach ③ vergehen, funktioniert der Nagler nicht ordnungsgemäß. Falls dies passiert, versuchen Sie es erneut ab Schritt ③.
- (2) Dauerbetrieb (Druckhebelauslösung)
Verwendung des KONTAKTAUSLÖSEMECHANISMUS (Siehe **Abb. 18**)

WARNUNG

- Zur Vermeidung von Doppelschüssen oder versehentlicher Auslösung durch den Rückstoß.
- 1) Drücken Sie den Nagler nicht mit übermäßiger Kraft gegen das Holz.
 - 2) Lösen Sie den Nagler vom Holz, wenn der Rückstoß nach dem Nageln einsetzt.
- ① Stellen Sie den Nagelbetriebsschalter auf KONTAKTAUSLÖSEMECHANISMUS (Nagelbetriebsanzeige blinkt blau). (zur Einstellung von KONTAKTAUSLÖSEMECHANISMUS). (Stellen Sie die Schaltvorrichtung vollständig auf den Modus, in dem die Nagelbetriebsanzeige blau blinkt, wie in **Abb. 18** gezeigt. Andernfalls funktioniert es nicht ordnungsgemäß.)
 - ② Betätigen Sie den Auslöser, wenn der Nagler das Werkstück noch nicht berührt.
 - ③ Drücken Sie den Druckhebel gegen das Werkstück, um einen Nagel abzuschließen.
 - ④ Bewegen Sie den Nagler in einer springenden Bewegung am Werkstück entlang. Bei jedem Eindrücken des Druckhebels wird ein Nagel abgefeuert.
- Sobald die gewünschte Anzahl an Nägeln abgefeuert wurde, nehmen Sie den Finger vom Auslöser.

HINWEIS

- Die Bedienschritte ② und ③ sollten innerhalb von 2 Sekunden nacheinander ausgeführt werden. Wenn mehr als 2 Sekunden nach ② vergehen, funktioniert der Nagler nicht ordnungsgemäß. Falls dies passiert, versuchen Sie es erneut ab Schritt ②.

WARNUNG

- Halten Sie Ihren Finger fern vom Auslöser, außer beim Nageln, denn es können schwere Verletzungen auftreten, wenn der Druckhebel versehentlich mit Ihnen oder anderen im Arbeitsbereich in Kontakt kommt.
- Halten Sie Hände und Körper fern vom Ausschussbereich. Dieser HIKOKI-Nagler kann durch den Rückstoß vom Abschließen eines Nagels zurückprallen und es kann sich unerwünscht ein weiterer Nagel lösen, was möglicherweise zu Verletzungen führen kann.

HINWEIS

- Wenn alle Warnhinweise und Anweisungen befolgt werden, ist ein sicherer Betrieb mit allen beiden Systemen möglich: VOLLSEQUENZIELLER AUSLÖSEMECHANISMUS, KONTAKTAUSLÖSEMECHANISMUS.
- Behandeln Sie Nägel und Verpackung immer mit Vorsicht. Wenn die Nägel fallen gelassen werden, kann der Verbindungsstreifen reißen, was zu einer fehlerhaften Zuführung und Nagelstau führt.
- Nach dem Nageln:
 - 1) Entnehmen Sie den Akku aus dem Nagler;
 - 2) entfernen Sie alle Nägel aus dem Nagler;

2. Einstellen der Nageltiefe

Um sicherzustellen, dass alle Nägel bis zur gleichen Tiefe eindringen, achten Sie darauf, dass der Nagler immer fest gegen das Werkstück gehalten wird. Wenn die Nägel zu tief oder zu flach in das Werkstück eindringen, stellen Sie die Nagelfunktion in der folgenden Reihenfolge ein.

- ① Nehmen Sie den Akku aus dem Nagler.
- ② Wenn die Nägel zu tief eindringen, drehen Sie das Einstellrad zur flachen Seite. (Siehe **Abb. 19**) Die Einstellung wird in Stufen von einer halben Umdrehung vorgenommen. Wenn die Nägel zu tief eindringen, drehen Sie das Einstellrad zur tiefen Seite. (Siehe **Abb. 20**)
- ③ Drehen Sie nicht mehr am Einstellrad, wenn eine geeignete Stellung für einen Nageltest erreicht ist.
- ④ Setzen Sie den Akku in den Nagler ein. TRAGEN SIE IMMER EINE SCHUTZBRILLE. Führen Sie einen Nageltest aus.
- ⑤ Nehmen Sie den Akku aus dem Nagler.
- ⑥ Wählen Sie eine geeignete Stellung des Einstellrads.

3. Verwendung des Hakens (Siehe **Abb. 21, 22, 23**)

WARNUNG

Wenn Sie den Haken verwenden, schalten Sie den Ein-/Ausschalter aus (grüne Leuchte „AUS“). Achten Sie darauf, dass das Hauptgerät nicht herunterfällt. Wenn das Werkzeug herunterfällt, besteht die Gefahr eines Unfalls.

Der Haken kann links oder rechts angebracht werden. (ausgenommen NT1865DBAL)

- ① Entfernen Sie den Akku und anschließend alle verbleibenden Nägel aus dem Magazin.
- ② Halten Sie das Hauptgerät sicher fest und entfernen Sie die Schraube mit einem Schraubendreher. (Siehe **Abb. 21**)
- ③ Entfernen Sie den Haken und die Hakenplatte. (Siehe **Abb. 22**)
- ④ Bringen Sie den Haken an der anderen Seite an und befestigen Sie ihn sicher mit der Schraube. (Siehe **Abb. 23**)

HINWEIS

Der Haken kann als Aufhängung verwendet werden.

4. Verwendung der Nasenabdeckung (Siehe **Abb. 24, 25**)

WARNUNG

Denken Sie beim Anbringen oder Abnehmen der Nasenabdeckung immer daran, Ihren Finger vom Auslöser zu nehmen und alle verbleibenden Nägel und den Akku aus dem Nagler zu entfernen.

Wenn Sie die Oberfläche des Werkstücks vor Kratzern oder Markierungen durch den Druckhebel schützen wollen, bringen Sie die als Zubehör beiliegende Nasenabdeckung am Druckhebel an.

- ① Nehmen Sie alle verbleibenden Nägel und den Akku aus dem Nagler.
- ② Setzen Sie die Nasenabdeckung auf die Spitze des Druckhebels.
- ③ Die Nasenabdeckung hat eine Markierung an der Stelle, an der der Nagel austritt, um die Ausrichtung zu erleichtern.

- ④ Wenn Sie die Nasenabdeckung nicht benutzen, bewahren Sie sie im Ablagefach an der Rückseite des Magazins auf.

HINWEIS

Die Nasenabdeckung kann aufgrund ihrer Dicke die Nageltiefe reduzieren. Die Nageltiefe muss neu eingestellt werden.

5. Staubeseitigung

Wenn die Nägel im Schusskopf klemmen, entfernen Sie ihn und stellen Sie die Nagelfunktion in der folgenden Reihenfolge ein.

VORSICHT

Nehmen Sie den Akku aus dem Nagler.

- ① Nehmen Sie den Akku aus dem Nagler.
- ② Entfernen Sie alle Nägel.
- ③ Lösen Sie den Sperrhebel und öffnen Sie die Führungsplatte. (Siehe **Abb. 26**)
- ④ Entfernen Sie den eingeklemmten Nagel mit einem Schlitzschraubendreher. (Siehe **Abb. 27**)

VORSICHT

- Schlagen Sie NIEMALS auf die Treiberklinge.
- Zielen Sie mit dem Werkzeug NIEMALS auf sich selbst oder eine andere Person, um die Gefahr einer Verletzung durch einen Fehlschuss zu vermeiden.

Auch wenn der Akku aus dem Nagler herausgenommen ist, bleibt immer noch Energie durch die Druckluft im Innern.

- ⑤ Schließen Sie die Führungsplatte und lassen Sie sie einrasten.

HINWEIS

Wenden Sie sich bei häufigen Nagelstaus an ein HiKOKI-Kundendienstzentrum.

WARTUNG UND INSPEKTION

VORSICHT

Denken Sie vor der Wartung und Inspektion daran, alle verbleibenden Nägel und den Akku aus dem Nagler zu entnehmen.

1. Inspektion des Magazins

- ① Entnehmen Sie den Akku aus dem Nagler.
- ② Reinigen Sie das Magazin. Entfernen Sie Staub und Holzspäne, die sich im Magazin angesammelt haben können.

VORSICHT

Überprüfen Sie, ob die Nagelzuführung reibungslos gleitet, indem Sie sie mit dem Finger daran ziehen. Wenn das nicht der Fall ist, können die Nägel in einem ungewöhnlichen Winkel austreten und jemanden verletzen.

2. Inspektion der Befestigungsschrauben

Untersuchen Sie regelmäßig alle Befestigungsschrauben und stellen Sie sicher, dass sie richtig festgezogen sind. Sollte sich eine der Schrauben lockern, ziehen Sie sie sofort wieder fest an. Falls dies nicht getan wird, könnte das zu ernsthaften Gefahren führen.

3. Wartung des Motors

Die Wicklung des Motors ist das „Herzstück“ des Elektrowerkzeugs. Wenden Sie die gebotene Sorgfalt auf, um sicherzustellen, dass die Wicklung nicht beschädigt und/oder mit Öl oder Wasser benetzt wird.

4. Prüfen der Anschlüsse (Werkzeug und Akku)

Überprüfen Sie die Anschlüsse, um sicherzustellen, dass sich keine Späne und kein Staub angesammelt haben.

Prüfen Sie das bei Gelegenheit vor, während und nach dem Betrieb.

VORSICHT

Entfernen Sie die Späne und den Staub, die sich an den Anschlüssen angesammelt haben. Andernfalls können Funktionsstörungen auftreten.

5. Außenreinigung

Wenn das Werkzeug schmutzig ist, wischen Sie es mit einem weichen trockenen Tuch oder einem mit Seifenwasser befeuchteten Tuch ab. Kein Chlorlösungsmittel, Benzin oder Farbenverdüner verwenden, da diese Kunststoffe aufweichen.

6. Lagerung

Das Werkzeug bei einer Temperatur von unter 40°C und außerhalb der Reichweite von Kindern lagern.

HINWEIS

Aufbewahren von Lithiumionenbatterien
Vergewissern Sie sich, dass die Lithiumionenbatterien voll aufgeladen sind, bevor Sie sie lagern.

Das Lagern der Akkus über längere Zeit (3 Monate oder mehr) mit einem niedrigen Ladestand kann zu einer Leistungsminde rung führen, welche die Nutzungszeit der Akkus deutlich verkürzt oder mit sich bringt, dass die Akkus keine Ladung mehr halten können.

Eine deutliche Verkürzung der Nutzungszeit kann jedoch durch wiederholtes Aufladen und zwei- bis fünfmaliges Benutzen der Akkus wieder behoben werden.

Sollte die Nutzungszeit trotz wiederholtem Aufladen und Benutzung extrem kurz sein, betrachten Sie die Akkus als tot und kaufen Sie neue Akkus.

VORSICHT

Bei Betrieb und Wartung von Elektrowerkzeugen müssen die Sicherheitsvorschriften und Normen beachtet werden.

Wichtiger Hinweis zu den Akkus für Akku-Geräte von HiKOKI

Verwenden Sie immer unsere angegebenen Originalakkus. Wir können die Sicherheit und die Leistung unseres Akku-Gerätes nicht gewährleisten, wenn andere als die von uns angegebenen Akkus verwendet werden, oder wenn der Akku zerlegt und verändert wird (etwa durch Zerlegen und Ersetzen von Zellen oder anderen innen gelegenen Teilen).

GARANTIE

Auf HiKOKI-Elektrowerkzeuge gewähren wir eine Garantie unter Zugrundelegung der jeweils geltenden gesetzlichen und landesspezifischen Bedingungen. Dieses Garantie erstreckt sich nicht auf Schäden, die auf Missbrauch, bestimmungswidrigen Einsatz oder normalen Verschleiß zurückzuführen sind. Im Schadensfall senden Sie das nicht zerlegte Elektrowerkzeug zusammen mit dem GARANTIESCHEIN, den Sie am Ende dieser Bedienungsanleitung finden, an ein von HiKOKI autorisiertes Servicezentrum.

Deutsch

Lärminformation

Lärmkennwerte entsprechend EN 60745:

Typischer A-bewerteter Schallpegel für ein einzelnes Ereignis: $L_{WA,1s,d} = 92 \text{ dB}$
Typischer A-bewerteter Schallpegel am Arbeitsplatz: $L_{pA,1s,d} = 81 \text{ dB}$

Messunsicherheit KpA: 3 dB

Diese Werte sind mit dem Werkzeug zusammenhängende Werte und stellen nicht die Lärmentwicklung am Verwendungspunkt dar. Die Lärmentwicklung am Arbeitsplatz hängt z.B. von der Arbeitsumgebung, dem Werkstück, der Werkstückunterstützung, der Anzahl der Nageleintreibungen usw. ab.

Abhängig von den Bedingungen am Arbeitsplatz und der Form des Werkstücks müssen möglicherweise individuelle Lärmverhütungsmaßnahmen durchgeführt werden, z.B. Aufstellung des Werkstücks auf einer schalldämpfenden Unterstützung, Verhüten von Werkstückvibration durch Festklemmen oder Abdecken, usw.

In besonderen Fällen ist das Tragen von Gehörschutz erforderlich.

Vibrationsinformation

Der typische Vibrationskennwert entsprechend EN 60745: $2,6 \text{ m/s}^2$

Messunsicherheit K = 1,5 m/s^2

Dieser Wert ist ein mit dem Werkzeug zusammenhängender Wert und repräsentiert nicht den Einfluß des Hand-Arm-Systems bei Verwendung des Werkzeugs. Der Einfluß auf das Hand-Arm-System bei Verwendung des Werkzeugs hängt z.B. von der Greifkraft, der Kontaktdruckkraft, der Arbeitsrichtung, der Einstellung der Energieversorgung, dem Werkstück und der Werkstückunterstützung ab.

Der angegebene Vibrationsgesamtwert wurde nach einer Standardtestmethode gemessen und kann zum Vergleich zwischen verschiedenen Werkzeugen dienen.

Er kann auch für eine Vorbeurteilung der Aussetzung verwendet werden.

WARNUNG

- Der Vibrationsemissionswert während der tatsächlichen Benutzung des Elektrowerkzeugs kann von dem deklarierten Gesamtwert abweichen, abhängig davon, wie das Werkzeug verwendet wird.
- Legen Sie Sicherheitsmaßnahmen zum Schutz des Bedieners fest, die auf einer Expositionseinschätzung unter den tatsächlichen Benutzungsbedingungen beruhen (unter Berücksichtigung aller Bereiche des Betriebszyklus, darunter neben der Triggerzeit auch die Zeiten, in denen das Werkzeug ausgeschaltet ist oder im Leerlaufbetrieb läuft).

HINWEIS

Aufgrund des ständigen Forschungs- und Entwicklungsprogramms von HiKOKI sind Änderungen der hier gemachten technischen Angaben vorbehalten.

Wartungstabelle

AKTION	WARUM	WIE
Magazin und Zuführungsmechanismus reinigen.	Stau verhindern.	Täglich sauber blasen.
Den Druckhebel betriebsfähig halten.	Sicherheit des Bedieners und effiziente Naglerfunktion fördern.	Täglich sauber blasen.

FEHLERSUCHE

Nutzen Sie die Kontrollen in der nachfolgenden Tabelle, wenn das Werkzeug nicht normal funktioniert. Wenn das Problem dadurch nicht behoben wird, wenden Sie sich an Ihren Händler oder an den autorisierten HiKOKI-Kundendienst.

PROBLEM	PRÜFVERFAHREN	KORREKTURMASSNAHME
Der Ein-/Ausschalter lässt sich nicht einschalten. Schaltet sich einmal ein, aber automatisch wieder ab.	Akkuladung gering.	Laden Sie den Akku auf.
	Interne Elektronik beschädigt.	Wenden Sie sich an HiKOKI für den Austausch.
	Druckhebel und/oder Auslöser im Zustand EIN?	Lassen Sie den Druckhebel und Auslöser um Zustand AUS.
	Haben Sie den Nagler mehr als 30 Minuten nicht benutzt? (Automatische Abschaltfunktion)	Halten Sie den Ein-/Ausschalter länger als 1 Sekunde gedrückt, um ihn auf „EIN“ zu schalten
Nagler funktioniert nicht (Ein-/Aus-Schalter EIN).	Der Nagler wird nicht stark genug gegen das Werkstück gedrückt.	Halten Sie Nagler fest und drücken Sie ihn ganz auf das Werkstück.
	Der Auslöser wurde nicht weit genug betätigt.	Ziehen Sie fest am Auslöser.
	Es sind mehr als 2 Sekunden zwischen EIN des Druckhebels und Auslöser EIN vergangen (bzw. Auslöser EIN bis Druckhebel EIN).	Sorgen Sie dafür, dass weniger als 2 Sekunden zwischen Druckhebel EIN und Auslöser EIN vergehen (bzw. zwischen Auslöser EIN und Druckhebel EIN).
	Schutzmechanismus ist aktiviert. (Keine oder zu wenig Nägel im Magazin) (ausgenommen NT1850DBSL)	Füllen Sie Nägel ins Magazin nach.
	Schaltsperrhebel (Auslösesperre) steht auf „EIN“.	Stellen Sie den Schaltsperrhebel in die Stellung „AUS“. (Siehe Abb. 8)
	Das Werkzeug ist zu kalt (unter -5°C) oder zu heiß. (Die LED-Leuchte blinkt regelmäßig und der Ein-/Ausschalter schaltet sich nach 10 Sekunden ab.) (Siehe Seite 29)	Lassen Sie den Nagler abkühlen bzw. wärmen Sie ihn auf eine geeignete Temperatur auf.
	Interne Elektronik beschädigt.	Wenden Sie sich an HiKOKI für den Austausch.
Der Nagler arbeitet, aber es wird kein Nagel ausgeschossen.	Magazin ist verschmutzt.	Blasen und wischen Sie das Magazin sauber.
	Prüfen Sie, ob ein Nagelstau vorliegt.	Beseitigen Sie den Nagelstau (siehe Abb. 26, 27).
	Treiber Klinge verschlissen oder beschädigt?	Wenden Sie sich an HiKOKI für den Austausch.
	Bandfeder geschwächt oder beschädigt?	Bandfeder ersetzen.
	Nagelzuführung beschädigt?	Nagelzuführung ersetzen.
Prüfen, ob die richtigen Nägel verwendet werden.	Verwenden Sie nur empfohlene Nägel.	

Deutsch

PROBLEM	PRÜFVERFAHREN	KORREKTURMASSNAHME
Schwacher Antrieb. Langsamer Zyklus.	Überprüfen Sie die Stellung des Nageltiefeneinstellrads.	Stellen Sie es wie in Abb. 19, 20 gezeigt ein.
	Treiberklinge verschlissen?	Wenden Sie sich an HiKOKI für den Austausch.
	Der Luftdruck ist zu niedrig.	Wenden Sie sich an HiKOKI für den Austausch.
	Interne Elektronik beschädigt.	Wenden Sie sich an HiKOKI für den Austausch.
Die Nägel werden zu tief eingetrieben.	Überprüfen Sie die Stellung des Nageltiefeneinstellrads.	Stellen Sie es wie in Abb. 19, 20 gezeigt ein.
Nägel werden übersprungen. Unterbrochene Zuführung.	Prüfen, ob die richtigen Nägel verwendet werden.	Verwenden Sie nur empfohlene Nägel.
	Nagelzuführung beschädigt?	Nagelzuführung ersetzen.
	Bandfeder geschwächt oder beschädigt?	Bandfeder ersetzen.
	Treiberklinge verschlissen oder beschädigt?	Wenden Sie sich an HiKOKI für den Austausch.
Nagelstau. Der verschossene Nagel ist verbogen.	Prüfen, ob die richtigen Nägel verwendet werden.	Verwenden Sie nur empfohlene Nägel.
	Treiberklinge verschlissen oder beschädigt?	Wenden Sie sich an HiKOKI für den Austausch.

AVERTISSEMENTS DE SÉCURITÉ GÉNÉRAUX POUR L'OUTIL

⚠ AVERTISSEMENT

Lire tous les avertissements de sécurité et toutes les instructions.

Ne pas suivre les avertissements et instructions peut donner lieu à un choc électrique, un incendie et/ou une blessure sérieuse.

Conserver tous les avertissements et toutes les instructions pour pouvoir s'y reporter ultérieurement.

Le terme « outil » dans les avertissements fait référence à votre outil électrique alimenté par le secteur (avec cordon d'alimentation) ou votre outil fonctionnant sur batterie (sans cordon d'alimentation).

1) Sécurité de la zone de travail

- a) **Conserv**er la zone de travail propre et bien éclairée.
Les zones en désordre ou sombres sont propices aux accidents.
- b) **Ne pas faire fonctionner les outils électriques en atmosphère explosive, par exemple en présence de liquides inflammables, de gaz ou de poussières.**
Les outils électriques produisent des étincelles qui peuvent enflammer les poussières ou les fumées.
- c) **Maintenir les enfants et les personnes présentes à l'écart pendant l'utilisation de l'outil.**
Les distractions peuvent vous faire perdre le contrôle de l'outil.

2) Sécurité électrique

- a) **Il faut que les fiches de l'outil électrique soient adaptées au socle.**
Ne jamais modifier la fiche de quelque façon que ce soit.
Ne pas utiliser d'adaptateurs avec des outils à branchement de terre.
Des fiches non modifiées et des socles adaptés réduiront le risque de choc électrique.
- b) **Eviter tout contact du corps avec des surfaces reliées à la terre telles que les tuyaux, les radiateurs, les cuisinières et les réfrigérateurs.**
Il existe un risque accru de choc électrique si votre corps est relié à la terre.
- c) **Ne pas exposer les outils à la pluie ou à des conditions humides.**
La pénétration d'eau à l'intérieur d'un outil augmentera le risque de choc électrique.
- d) **Ne pas maltraiter le cordon. Ne jamais utiliser le cordon pour porter, tirer ou débrancher l'outil. Maintenir le cordon à l'écart de la chaleur, du lubrifiant, des arêtes ou des parties en mouvement.**
Des cordons endommagés ou emmêlés augmentent le risque de choc électrique.
- e) **Lorsqu'on utilise un outil à l'extérieur, utiliser un prolongateur adapté à l'utilisation extérieure.**
L'utilisation d'un cordon adapté à l'utilisation extérieure réduit le risque de choc électrique.
- f) **Si l'usage d'un outil dans un emplacement humide est inévitable, utiliser une alimentation protégée par un dispositif à courant différentiel résiduel (RCD).**
L'usage d'un RCD réduit le risque de choc électrique.

3) Sécurité des personnes

- a) **Rester vigilant, regarder ce que vous êtes en train de faire et faire preuve de bon sens dans votre utilisation de l'outil.**

Ne pas utiliser un outil lorsque vous êtes fatigué ou sous l'emprise de drogues, d'alcool ou de médicaments.

Un moment d'inattention en cours d'utilisation d'un outil peut entraîner des blessures graves des personnes.

- b) **Utiliser un équipement de sécurité. Toujours porter une protection pour les yeux.**
Les équipements de sécurité tels que les masques contre les poussières, les chaussures de sécurité antidérapantes, les casques ou les protections acoustiques utilisés pour les conditions appropriées réduiront les blessures de personnes.
 - c) **Eviter tout démarrage intempestif. S'assurer que l'interrupteur est en position arrêt avant de brancher l'outil au secteur et/ou au bloc de batteries, de le ramasser ou de le porter.**
Porter les outils en ayant le doigt sur l'interrupteur ou brancher des outils dont l'interrupteur est en position marche est source d'accidents.
 - d) **Retirer toute clé de réglage avant de mettre l'outil en marche.**
Une clé laissée fixée sur une partie tournante de l'outil peut donner lieu à des blessures.
 - e) **Ne pas se précipiter. Garder une position et un équilibre adaptés à tout moment.**
Cela permet un meilleur contrôle de l'outil dans des situations inattendues.
 - f) **S'habiller de manière adaptée. Ne pas porter de vêtements amples ou de bijoux. Garder les cheveux, les vêtements et les gants à distance des parties en mouvement.**
Des vêtements amples, des bijoux ou les cheveux longs peuvent être pris dans des parties en mouvement.
 - g) **Si des dispositifs sont fournis pour le raccordement d'équipements pour l'extraction et la récupération des poussières, s'assurer qu'ils sont connectés et correctement utilisés.**
Utiliser des collecteurs de poussière peut réduire les risques dus aux poussières.
- #### 4) Utilisation et entretien de l'outil
- a) **Ne pas forcer l'outil. Utiliser l'outil adapté à votre application.**
L'outil adapté réalisera mieux le travail et de manière plus sûre au régime pour lequel il a été construit.
 - b) **Ne pas utiliser l'outil si l'interrupteur ne permet pas de passer de l'état de marche à arrêt et vice versa.**
Tout outil qui ne peut pas être commandé par l'interrupteur est dangereux et il faut le réparer.
 - c) **Débrancher la fiche de la source d'alimentation et/ou la batterie de l'outil avant tout réglage, changement d'accessoires ou avant de ranger l'outil.**
De telles mesures de sécurité préventives réduisent le risque de démarrage accidentel de l'outil.
 - d) **Conserv**er les outils à l'arrêt hors de la portée des enfants et ne pas permettre à des personnes ne connaissant pas l'outil ou les présentes instructions de le faire fonctionner.
Les outils sont dangereux entre les mains d'utilisateurs novices.
 - e) **Observer la maintenance de l'outil. Vérifier qu'il n'y a pas de mauvais alignement ou de blocage des parties mobiles, des pièces cassées ou toute autre condition pouvant affecter le fonctionnement de l'outil.**
En cas de dommages, faire réparer l'outil avant de l'utiliser.
De nombreux accidents sont dus à des outils mal entretenus.

Français

- f) **Garder affûtés et propres les outils permettant de couper.**
Des outils destinés à couper correctement entretenus avec des pièces coupantes tranchantes sont moins susceptibles de bloquer et sont plus faciles à contrôler.
- g) **Utiliser l'outil, les accessoires et les lames etc., conformément à ces instructions, en tenant compte des conditions de travail et du travail à réaliser.**
L'utilisation de l'outil pour des opérations différentes de celles prévues pourrait donner lieu à des situations dangereuses.
- 5) **Utilisation des outils fonctionnant sur batteries et précautions d'emploi**
- a) **Ne recharger qu'avec le chargeur spécifié par le fabricant.**
Un chargeur qui est adapté à un type de bloc de batteries peut créer un risque de feu lorsqu'il est utilisé avec un autre type de bloc de batteries.
- b) **N'utiliser les outils qu'avec des blocs de batteries spécifiquement désignés.**
L'utilisation de tout autre bloc de batteries peut créer un risque de blessure et de feu.
- c) **Lorsqu'un bloc de batteries n'est pas utilisé, le maintenir à l'écart de tout autre objet métallique, par exemple trombones, pièces de monnaie, clés, clous, vis ou autres objets de petite taille qui peuvent donner lieu à une connexion d'une borne à une autre.**
Le court-circuitage des bornes d'une batterie entre elles peut causer des brûlures ou un feu.
- d) **Dans de mauvaises conditions, du liquide peut être éjecté de la batterie ; éviter tout contact. En cas de contact accidentel, nettoyer à l'eau. Si le liquide entre en contact avec les yeux, rechercher en plus une aide médicale.**
Le liquide éjecté des batteries peut causer des irritations ou des brûlures.
- 6) **Maintenance et entretien**
- a) **Faire entretenir l'outil par un réparateur qualifié utilisant uniquement des pièces de rechange identiques.**
Cela assurera le maintien de la sécurité de l'outil.

PRECAUTIONS

Maintenir les enfants et les personnes infirmes éloignés.


Lorsque les outils ne sont pas utilisés, ils doivent être rangés hors de portée des enfants et des personnes infirmes.

AVERTISSEMENTS EN MATIÈRE DE SÉCURITÉ DE LA CLOUEUSE DE FINITION/CLOUEUSE DE CLOU SANS TÊTE

- Partez toujours du principe que l'outil contient des agrafes.**
Une mauvaise manipulation de la cloueuse peut déclencher une éjection accidentelle des attaches causant des blessures corporelles.
- Ne pointez pas l'outil vers vous-même ni vers une autre personne.**
Un déclenchement inattendu entraîne l'éjection d'une agrafe pouvant blesser quelqu'un.
- N'actionnez pas l'outil tant qu'il n'est pas fermement tenu contre la pièce à usiner.**
Si l'outil n'est pas au contact de la pièce à usiner, l'agrafe risque de dévier de votre cible.

- Débranchez l'outil de la source d'alimentation si une agrafe reste coincée dans l'outil.**
La cloueuse peut être activée accidentellement si elle est branchée, lors du retrait d'une attache coincée.
- Soyez vigilant lors du retrait d'une agrafe coincée.**
Le mécanisme peut être sous compression et l'agrafe peut être éjectée de force lorsque vous tentez de dégager un blocage.
- Ne pas utiliser cette cloueuse pour la fixation des câbles électriques.**
La cloueuse n'est pas conçue pour l'installation de câbles électriques, dont elle peut endommager la gaine isolante, provoquant ainsi un choc électrique ou un début d'incendie.

AVERTISSEMENTS DE SÉCURITÉ SUPPLÉMENTAIRES

- La manutention en sécurité est garantie par un usage correcte.**
Cet appareil a été construit pour enfoncer des clous dans du bois ou des matériaux similaires. Utilisez-le seulement pour les emplois désignés.
- Évitez les inflammations et les explosions.**
Vu que des étincelles peuvent se produire, il est dangereux d'utiliser l'appareil à proximité de laques, de couleurs, d'essence, de diluants, de fuel, de gaz, de colles ou d'autres substances inflammables similaires. Dans aucun cas, l'appareil ne doit être utilisé proche de pareils produits inflammables.
- Protégez vos yeux à l'aide de lunettes de sécurité.**
 Portez toujours des lunettes de sécurité si vous utilisez l'appareil et assurez que les personnes qui vous entourent en portent aussi. La possibilité que des fragments de clous qui sont mal enfoncés n'endommagent les yeux est un danger pour la vue. Vous trouvez des lunettes de sécurité dans chaque quincaillerie. Portez toujours des lunettes de sécurité ou un masque de sécurité si vous utilisez le cloueur. Les employeurs doivent veiller à ce que l'équipement de protection soit toujours porté.
- Protégez vos oreilles.**
Veillez porter des oreillettes lors de chaque usage du cloueur et veillez à ce que les personnes qui vous entourent en portent aussi.
- Faites attention aux personnes qui travaillent proche de vous.**
Des clous qui sont mal enfoncés représentent un danger pour les personnes qui vous entourent. Veillez toujours à ne pas trop rapprocher votre corps, vos mains ou vos pieds du déclencheur.
- Ne pointez jamais l'orifice de décharge en direction d'une personne.**



Toujours assumer que l'outil contient des clous.

Si l'orifice de décharge est pointé en direction d'une personne, des accidents sérieux peuvent se produire si vous pressez la détente. Lorsque vous connectez ou déconnectez la batterie, pendant le chargement d'un clou ou toute autre opération similaire, assurez-vous que la pointe du clou n'est pas pointée vers quelqu'un (vous compris). Même s'il n'y a pas de clou dans l'outil, il serait dangereux de décharger l'outil tout en le dirigeant vers quelqu'un. Il ne faudra donc pas le faire. Ne jamais s'amuser avec l'outil. Le cloueur est un instrument de travail. Le respecter en tant que tel.

7. Vérifier avant l'utilisation du levier de poussée.

S'assurer que le levier de poussée fonctionne correctement. (Le levier de poussée est désigné par le terme « Sécurité ».) Ne jamais utiliser la cloueuse si le levier de poussée ne fonctionne pas correctement, sinon la cloueuse pourrait faire sortir une attache de manière inattendue. Ne modifier ni ne retirer le levier de poussée, sinon il devient inutilisable.

8. Le choix de la méthode de déclenchement est important.

Veillez lire et bien comprendre la section intitulée « COMMENT UTILISER LA CLOUEUSE » à la page 49.

9. Avant d'utiliser ce produit, s'assurer qu'il fonctionne correctement en conformité avec le contenu de la section « Test de la cloueuse » à la page 48.

10. Utiliser seulement des clous spécifiés.

Utilisez exclusivement les produits de fixation indiqués dans le manuel de manutention.

11. Être prudent en branchant la batterie.

Pour assurer qu'aucun clou n'est tiré lors du branchement de la batterie et du chargement des clous, respecter les instructions suivantes.

- ne touchez pas la détente.
- évitez de toucher l'orifice de décharge.
- pointez l'orifice de décharge vers le bas. Respectez rigoureusement les instructions ci-dessus et ne placez jamais vos mains, jambes ou toute partie de votre corps en face de l'orifice de décharge.

12. Ne touchez pas imprudemment la détente.

Ne posez pas votre doigt sur la détente si vous ne clouez pas. Si vous portez l'appareil ou si vous le passez à une autre personne tout en gardant le doigt sur la détente, vous pouvez causer un accident.

13. Pressez l'orifice de décharge fortement contre le matériel à fixer.

En enfouissant des clous, pressez l'orifice de décharge fortement contre le matériel à fixer. Si l'orifice est mal posé, les clous peuvent rebondir.

14. Eloigner les mains et les pieds de la tête de clouage pendant l'utilisation.



Il serait très dangereux qu'un clou frappe les mains ou les pieds par erreur.

15. Évitez les contrecoups du cloueur.

Évitez d'approcher le haut du cloueur avec la tête pendant que vous clouez. Ceci est dangereux puisque l'appareil peut reculer violemment touchant un ancien clou enfoncé ou un nœud dans le bois.

16. Faites attention au double déclenchement dû au recul.

Si le levier de poussée est remis par inadvertance en contact avec la pièce d'ouvrage suivant le recul, une attache non-souhaitée risque d'être envoyée.

Afin d'éviter ce double déclenchement non-souhaité,

- Fonctionnement intermittent (déclenchement de la gâchette)
 - 1) Régler le dispositif de commutation sur MÉCANISME D'ACTIVATION SÉQUENTIELLE COMPLÈTE.
 - 2) Appuyer sur la gâchette rapidement et fermement.
- Fonctionnement en continu (déclenchement du levier de poussée)
 - 1) Ne pas presser la cloueuse contre le bois avec une force excessive.
 - 2) Séparer la cloueuse du bois au moment du recul après avoir posé une attache.

17. Soyez prudents en clouant des planches minces ou les bords du bois.

En clouant des planches minces ou les bords du bois, les clous peuvent passer à travers ou être déviés. Dans ces cas, assurez-vous qu'il n'y a personne derrière le panneau ou proche du bois que vous êtes en train de clouer.

18. Il est dangereux de clouer simultanément sur les deux côtés d'un mur.

Il faut absolument éviter de clouer en même temps sur les deux côtés d'un mur puisque les clous peuvent passer à travers et causer ainsi de blessures.

19. Ne pas utiliser l'outil électrique sur des échafaudages ou des échelles.

Ne pas utiliser l'outil pour des applications spécifiques, par exemple:

- lorsque le changement d'une position de clouage fait intervenir l'utilisation d'échafaudages, d'escaliers, d'échelles ou de toute autre construction de type échelle, par ex. des lattes de pied,
- la fermeture de boîtes ou de caisses,
- la fixation de systèmes de sécurité, par ex. sur des véhicules ou des wagons

20. Retirer toutes les attaches restantes et la batterie de la cloueuse dans les situations suivantes :

- 1) entretien et inspection ;
- 2) vérification du bon fonctionnement du levier de poussée et de la gâchette ;
- 3) fixation ou retrait du capuchon de bec ;
- 4) suppression d'un bourrage ;
- 5) non utilisation ;
- 6) sortie de la zone de travail ;
- 7) transport vers un autre endroit ; et
- 8) transmission de l'outil à une autre personne.

Ne jamais tenter d'éliminer un bourrage ou de réparer la cloueuse, à moins d'avoir enlevé la batterie et toutes les attaches restantes de la cloueuse.

La cloueuse ne doit jamais être laissée sans surveillance, dans la mesure où des personnes ne sachant pas utiliser correctement la cloueuse peuvent la manipuler et risquer de se blesser.

21. Retirer la batterie de la cloueuse dans les situations suivantes :

- 1) chargement de clous ;
- 2) manipulation du dispositif de réglage.

22. Débrancher la batterie.

Lors de la fixation et du retrait du capuchon du bec, débranchez la batterie.

Lors de la fixation de capuchon du bec (fourni en accessoire) sur la pointe du levier-poussoir et lors de son retrait, veillez à débrancher au préalable la batterie. L'éjection accidentelle d'un clou est très dangereuse.

23. L'environnement de fonctionnement de cet appareil se situe entre 0°C et 40°C ; veiller à l'utiliser dans cet intervalle de températures. L'appareil est susceptible de mal fonctionner à une température inférieure à 0°C ou supérieure à 40°C.

24. Chargez toujours la batterie à une température de 0-40°C.

Une température inférieure à 0°C entraînera une surcharge dangereuse. La batterie ne peut pas être chargée à une température supérieure à 40°C.

Le température la plus appropriée serait de 20-25°C.

25. N'utilisez pas le chargeur continuellement.

Quand une charge a été effectuée, laissez le chargeur au repos pendant environ 15 minutes avant de commencer la prochaine charge de batterie.

26. Ne laissez pas de corps étrangers pénétrer par le trou de raccord de la batterie rechargeable.

27. Ne désassemblez jamais la batterie rechargeable et le chargeur.

Français

28. Ne court-circuitez jamais la batterie rechargeable.

Le fait de court-circuiter la batterie générera un courant électrique élevé et une surchauffe, ce qui entraînera la brûlure ou l'endommagement de la batterie.

29. Ne jetez pas la batterie au feu.

Elle pourrait exploser.

30. L'utilisation d'une batterie usagée endommagera le chargeur.

31. Apportez la batterie au magasin où vous l'avez achetée dès que la durée de vie de post-charge de la batterie devient trop courte pour une utilisation pratique.

Ne jetez pas de batterie usagée.

32. Ne pas introduire d'objets métalliques ou des produits inflammables dans les fentes d'aération du chargeur.

Cela provoquera un choc électrique ou endommagera le chargeur.

33. Ne JAMAIS laisser d'aimants (ou appareils magnétiques similaires) à proximité de la cloueuse, car cette dernière est dotée d'un capteur magnétique à l'intérieur.

Cela risque de provoquer une panne ou un risque de blessures par dysfonctionnement.

34. Reposez de l'appareil après un travail continu.

35. L'outil électrique est équipé d'un circuit de protection thermique pour protéger le moteur. Une utilisation en continu risque de provoquer une augmentation de la température de l'appareil et d'activer le circuit de protection thermique, ainsi que d'arrêter automatiquement le fonctionnement. Dans ce cas, laissez l'appareil électrique refroidir avant de reprendre l'utilisation.

36. Ce produit peut cesser de fonctionner lorsqu'une anomalie est détectée. Dans ce cas, vérifiez les éléments qui figurent dans la section « RÉSOLUTION DES PROBLÈMES » à la page 53.

37. Ne pas faire subir de choc violent au panneau de commande ni le casser. Cela risque d'entraîner un dysfonctionnement.

38. N'utilisez pas le produit si l'outil ou les bornes de la batterie (fixation de la batterie) sont déformés.

Installer la batterie peut entraîner un court-circuit qui pourrait provoquer des émissions de fumée ou un début d'incendie.

39. Gardez les bornes de l'outil (support de la batterie) exempts de copeaux et à la poussière.

○ Avant toute utilisation, assurez-vous qu'aucun copeau ou poussière ne s'est accumulé sur la zone des bornes.

○ Pendant l'utilisation, essayez d'éviter que des copeaux ou de la poussière provenant de l'outil ne tombent sur la batterie.

○ Lors de la suspension de l'opération ou après l'utilisation, ne laissez pas l'outil dans un endroit où il pourrait être exposé à des copeaux ou de la poussière.

Le non-respect de cette consigne peut entraîner un court-circuit qui pourrait provoquer des émissions de fumée ou un début d'incendie.

1. Lorsque la charge restante de la batterie diminue, le moteur s'arrête.

Dans ce cas de figure, charger immédiatement la batterie.

2. En cas de surcharge de l'outil, le moteur peut s'arrêter. Dans ce cas, relâcher le commutateur de l'outil et éliminer les causes de la surcharge. Vous pouvez ensuite recommencer à utiliser l'outil.

3. En cas de surchauffe due à un travail trop intensif, l'alimentation de la batterie peut se couper.

Dans ce cas, arrêter toute utilisation de la batterie et la laisser refroidir. Vous pouvez ensuite recommencer à utiliser l'outil.

En outre, respecter la précaution et l'avertissement suivants.

AVERTISSEMENT

Afin d'éviter toute fuite de la batterie, génération de chaleur, émission de fumée, explosion et inflammation, respecter scrupuleusement les précautions suivantes :

1. S'assurer que les copeaux et la poussière ne s'accumulent pas sur la batterie.

○ Pendant la tâche, s'assurer que les copeaux et la poussière ne tombent pas sur la batterie.

○ S'assurer que les copeaux et la poussière qui tombent sur l'outil lors de la tâche ne s'accumulent pas sur la batterie.

○ Ne pas conserver une batterie inutilisée dans un endroit qui est exposé aux copeaux et à la poussière.

○ Avant de stocker une batterie, retirer tous les copeaux et la poussière qui ont pu y adhérer et ne pas la ranger avec des pièces métalliques (vis, clous, etc.).

2. Ne pas percer la batterie à l'aide d'un objet pointu tel qu'un clou. Ne pas la frapper à l'aide d'un marteau. Ne pas marcher dessus, ni la lancer ou la soumettre à un choc physique important.

3. Ne pas utiliser une batterie dont l'extérieur est déformé ou laisse penser qu'elle est défectueuse.

4. Ne pas insérer la batterie à l'envers (pôles inversés).

5. Ne pas raccorder directement la batterie à une prise électrique ou à un allume-cigare.

6. Ne pas utiliser la batterie à d'autres fins que celle spécifiée.

7. En cas d'échec du chargement d'une batterie, même après un certain délai, arrêter immédiatement le rechargement.

8. Ne pas exposer la batterie à des températures ou une pression élevées (four à micro-ondes, séchoir, conteneur sous haute pression).

9. Maintenir la batterie à l'écart de toute flamme en cas de détection d'une fuite ou d'une mauvaise odeur.

10. Ne pas utiliser à proximité d'une source puissante d'électricité statique.

11. En cas de fuite de la batterie, de mauvaise odeur, de génération de chaleur, de décoloration, de déformation ou d'anomalie en cours d'utilisation, de rechargement ou d'entreposage, ôter immédiatement la batterie de l'équipement ou du chargeur de batterie et cesser de l'utiliser.

12. N'immergez pas la batterie ou ne laissez aucun liquide couler à l'intérieur. La pénétration de liquide conducteur, tel que de l'eau, peut provoquer des dégâts et entraîner un incendie ou une explosion. Rangez la batterie dans un endroit frais et sec, et à distance de tout objet inflammable. Les atmosphères à gaz corrosifs doivent être évitées.

ATTENTION

1. En cas de projection dans les yeux de liquide ayant fui de la batterie, ne pas se frotter les yeux, les rincer à l'eau claire et contacter immédiatement un médecin.

En l'absence de traitement, le liquide peut provoquer des lésions oculaires.

2. En cas de projection de liquide ayant fui de la batterie sur la peau ou les vêtements, rincer immédiatement ces derniers à l'eau claire (au robinet).

Le liquide peut provoquer une irritation de la peau.

PRÉCAUTIONS RELATIVES À LA BATTERIE AU LITHIUM ION

Pour prolonger sa durée de vie, la batterie lithium-ion est équipée d'une fonction de protection qui coupe automatiquement l'alimentation.

Dans les cas 1 à 3 décrits ci-dessous, il est possible que le moteur s'arrête lors de l'utilisation de ce produit, même si le commutateur est actionné. Il ne s'agit pas d'un dysfonctionnement, mais du fonctionnement normal de la protection.

3. En cas de détection de rouille, de mauvaise odeur, de surchauffe, de décoloration, de déformation et/ou autres anomalies lors de la première utilisation de la batterie, ne pas utiliser cette dernière et la renvoyer au fournisseur ou au fabricant.

AVERTISSEMENT

Si des corps étrangers conducteurs s'introduisent dans la borne de la batterie lithium-ion, un court-circuit peut se produire dans la batterie et provoquer un incendie. Lors du stockage d'une batterie lithium-ion, veiller à suivre scrupuleusement les instructions suivantes.

- Ne pas placer de débris conducteurs, de clous ou de morceaux de fils électriques en fer ou en cuivre dans le boîtier de rangement.
- Pour éviter tout court-circuit, charger la batterie dans l'outil ou insérer le couvercle de la batterie à fond, de manière à ne plus voir le ventilateur.

①	Levier de verrouillage du commutateur
⑫	Poignée
⑬	Levier d'arrêt
⑭	Commutateur d'indicateur de batterie
⑮	Indicateur de batterie
⑯	Commutateur de fonctionnement de clouage
⑰	Voyant d'alimentation
⑱	Contacteur d'alimentation
⑲	Indicateur de fonctionnement de clouage
⑳	Bande de clous
㉑	Capot du magasin
㉒	Rainure
㉓	Guide de lame
㉔	Dispositif de réglage
㉕	Plaque de crochet
㉖	Capuchon de bec
㉗	Levier de verrouillage
㉘	Plaque de guidage

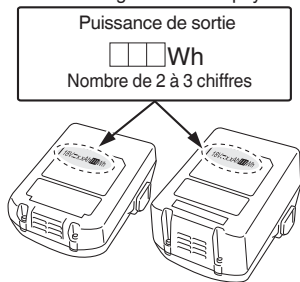
À PROPOS DU TRANSPORT DE LA BATTERIE LITHIUM-ION

Lors du transport d'une batterie lithium-ion, veuillez observer les précautions suivantes.

AVERTISSEMENT

Informez la société de transport qu'un paquet contient une batterie lithium-ion, informez la société de sa puissance de sortie et suivez les instructions de la société de transport lors de l'organisation du transport.

- Les batteries lithium-ion qui dépassent une puissance de sortie de 100 Wh font partie de la classification de transport des produits dangereux et nécessitent l'application de procédures spéciales.
- Pour un transport vers l'étranger, vous devez vous conformer aux lois internationales et aux normes et réglementations en vigueur dans le pays de destination.



SYMBOLES

AVERTISSEMENT












Les symboles suivants sont utilisés pour l'outil. Bien se familiariser avec leur signification avant d'utiliser l'outil.









	NT 1865DBAL : Cloueuse de finition sans fil NT 1865DBSL : Cloueuse de finition sans fil NT 1850DBSL : Cloueuse pneumatique sans fil
	Pour réduire les risques de blessures, l'utilisateur doit lire le manuel d'utilisation.
	Pour les pays européens uniquement Ne pas jeter les appareils électriques dans les ordures ménagères ! Conformément à la directive européenne 2012/19/UE relative aux déchets d'équipements électriques ou électroniques (DEEE), et à sa transposition dans la législation nationale, les appareils électriques doivent être collectés à part et être soumis à un recyclage respectueux de l'environnement.
	Courant direct
	Mise en marche
	Mise hors tension
	Débrancher la batterie

NOMS DES PIÈCES (Fig. 1 – Fig. 28)

①	Couvercle supérieur
②	Gâchette
③	Éclairage à DEL
④	Tête de déclenchement (sortie)
⑤	Levier de poussée
⑥	Margeur à clou (A)
⑦	Margeur à clou (B)
⑧	Magasin
⑨	Crochet
⑩	Batterie

Français

	Contacteur d'alimentation
	Commutateur d'alimentation ARRÊT
	Contacteur d'alimentation MARCHÉ Voyant d'alimentation : S'allume en vert
	Commutateur de fonctionnement de clouage
	MÉCANISME D'ACTIVATION SÉQUENTIELLE COMPLET
	Mode de MÉCANISME D'ACTIVATION SÉQUENTIELLE COMPLET Indicateur de fonctionnement de clouage : S'allume en bleu
	MÉCANISME D'ACTIVATION PAR CONTACT
	Mode de MÉCANISME D'ACTIVATION PAR CONTACT Indicateur de fonctionnement de clouage : Clignote en bleu
	Gâchette verrouillée
	Gâchette déverrouillée
	Commutateur d'indicateur de batterie

	La puissance résiduelle de la batterie est suffisante Indicateur de batterie : 2 LED (rouges) s'allument
	La puissance résiduelle de la batterie est d'environ la moitié. Indicateur de batterie : 1 DEL (rouge) s'allume
	La puissance résiduelle de la batterie est presque nulle. Recharger la batterie le plus vite possible. Indicateur de batterie : 1 DEL (rouge) clignote
	Contacter HIKOKI pour une inspection. Indicateur de batterie : 2 DEL clignotent en orange, au bout de 10 secondes, le commutateur d'alimentation s'éteint automatiquement.
	Côté peu profond
	Côté profond
	Avertissement
	Action interdite

SPÉCIFICATIONS

1. Cloueuse de finition sans fil

Modèle		NT1865DBAL	NT1865DBSL	
Moteur		CC sans balai	CC sans balai	
Clou applicable		15 Ga (Angle : 34°)	16 GA	
Longueur de clou applicable		32 mm à 65 mm	25 mm à 65 mm	
Capacité de chargement de clou [clous]		100 (1 bande)	100 (2 bandes)	
Mode de déclenchement		Séquentiel complet/contact (Sélectionnable)	Séquentiel complet/contact (Sélectionnable)	
Taux de cycle	[clous/seconde]	3 (intermittent)		3 (intermittent)
Batterie	Modèle	BSL1830C	BSL1830C	BSL1850
	Type	Batterie Li-ion		
	Tension	18 V CC		
Poids*		3,5 – 4,1 kg	3,4 – 4,0 kg	
Dimension Hauteur × Longueur × Largeur		344 mm × 300 mm × 104 mm	315 mm × 298 mm × 104 mm	315 mm × 310 mm × 104 mm

* Selon la procédure EPTA 01/2014
Selon la batterie fournie. Le poids le plus lourd est mesuré avec BSL36B18 (vendu séparément).

2. Cloueuse pneumatique sans fil

Modèle		NT1850DBSL	
Moteur		CC sans balai	
Clou applicable		18 GA	
Longueur de clou applicable		16 mm à 50 mm	
Capacité de chargement de clou [clous]		100 (1 bande)	
Mode de déclenchement		Séquentiel complet/contact (Sélectionnable)	
Taux de cycle	[clous/seconde]	3 (intermittent)	
Batterie	Modèle	BSL1830C	BSL1850
	Type	Batterie Li-ion	
	Tension	18 V CC	
Poids*		3,3 – 4,0 kg	
Dimension Hauteur x Longueur x Largeur		323 mm x 298 mm x 104 mm	323 mm x 310 mm x 104 mm

* Selon la procédure EPTA 01/2014

Selon la batterie fournie. Le poids le plus lourd est mesuré avec BSL36B18 (vendu séparément).

3. Charge de batterie

Modèle	UC18YFSL	UC18YML2
Tension de charge	14,4 – 18 V CC	
Poids	0,5 kg	0,7 kg

REMARQUE

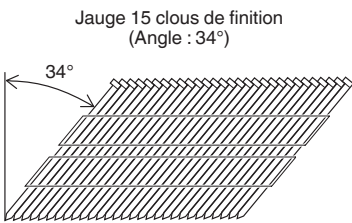
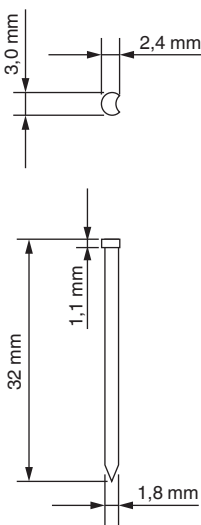

Par suite du programme permanent de recherche et de développement HiKOKI, ces spécifications peuvent faire l'objet de modifications sans avis préalable.

SÉLECTION DE CLOU

Seuls des clous présentés dans le tableau ci-dessous peuvent être plantés avec cette cloueuse.

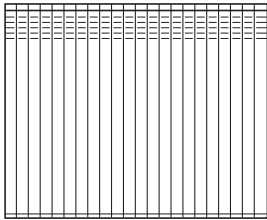
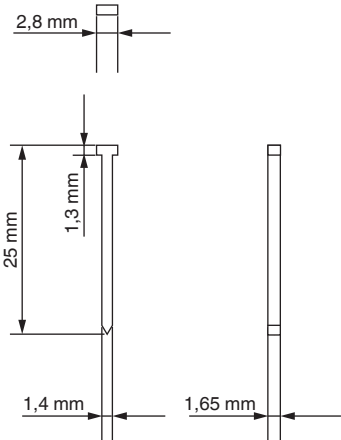

Dimensions de clous

<NT1865DBAL>

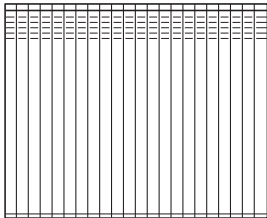
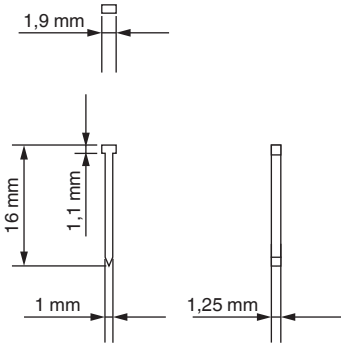

 <p>Jauge 15 clous de finition (Angle : 34°)</p>	Min.	Max.
		

Français

<NT1865DBSL>

	Min.	Max.
<p>Jauge 16 clous de finition (droit)</p> 		

<NT1850DBSL>

	Min.	Max.
<p>Jauge 18 clous sans tête (droit)</p> 		
À l'exclusion des clous d'une longueur de 35 mm		

ACCESSOIRES STANDARD

Otre l'unité principale (1 unité), l'emballage contient les accessoires répertoriés à la page 378. Les accessoires standard sont sujets à changement sans préavis.

APPLICATIONS

<NT1865DBAL, NT1865DBSL>







- Clouage comme processus de finition pour les zones autour des portes, les fenêtres, ainsi que les bordures.
- Renforcer la base des tiroirs. Fabriquer divers tiroirs et armoires.

<NT1850DBSL>

- Assemblage d'armoires et cadres photo ; peaufinage de meubles.
- Peaufinage et moulage de maison mobile et permanente.

Français

<UC18YML2>

Indications de la lampe témoin				
La lampe témoin s'allume ou clignote en rouge.	Avant la charge	Clignote	S'allume pendant 0,5 seconde. Ne s'allume pas pendant 0,5 seconde. (Éteint pendant 0,5 seconde) 	/
	Pendant la charge	S'allume	S'allume sans interruption 	
	Charge terminée	Clignote	S'allume pendant 0,5 seconde. Ne s'allume pas pendant 0,5 seconde. (Éteint pendant 0,5 seconde) 	
	Charge impossible	Scintille	S'allume pendant 0,1 seconde. Ne s'allume pas pendant 0,1 seconde. (Éteint pendant 0,1 seconde) 	
La lampe témoin s'allume ou clignote en vert.	Veille en surchauffe	S'allume	S'allume sans interruption 	Batterie en surchauffe. Impossible de charger. (La charge commencera une fois que la batterie sera froide).
	Charge à partir d'une source d'alimentation de voiture impossible	Clignote	S'allume pendant 0,5 seconde. Ne s'allume pas pendant 0,5 seconde. (Éteint pendant 0,5 seconde) 	L'alimentation 12 V CC est défectueuse

REMARQUE : Lors de la mise en veille pour refroidir la batterie, le UC18YML2 refroidit la batterie qui surchauffe à l'aide du ventilateur de refroidissement. (Cependant, le ventilateur de refroidissement ne fonctionne pas lorsque la batterie est chargée avec une source d'alimentation de voiture 12 VCC.)

- (2) Au sujet de la température de la batterie rechargeable
Les plages de température des batteries rechargeables sont indiquées dans le **Tableau 2** ; en outre, vous devez laisser refroidir les batteries avant de les recharger.

Tableau 2 Plage de recharge des batteries

Batteries rechargeables	Températures de recharge de la batterie
BSL1830C, BSL1850	0°C – 50°C

- (3) Au sujet du temps de recharge
Suivant le type de chargeur et de batterie, le temps de recharge indiqué sur le **Tableau 3** varie comme suit:

Tableau 3 Temps de recharge (à 20°C)
(Source d'alimentation AC / source d'alimentation (de voiture) 12V CC)

Batterie	Chargeur	
	UC18YFSL	UC18YML2
BSL1830C	Env. 45 min	Env. 45 / 120 min
BSL1850	Env. 75 min	Env. 75 / 200 min

REMARQUE

Le temps de recharge peut varier selon la température ambiante et la tension de la source.

<UC18YML2>

En particulier, l'utilisation d'une source d'alimentation de voiture 12 VCC peut nécessiter un délai de charge plus long à haute température.

ATTENTION

Si le chargeur de batterie a été utilisé en continu, une surchauffe risque de se produire, ce qui peut provoquer des dysfonctionnements. Une fois la charge terminée, attendez 15 minutes avant la prochaine charge.

4. **Débrancher le cordon d'alimentation du chargeur de la prise secteur ou de la prise de l'allume-cigare.**
5. **Tenir fermement le chargeur et dégager la batterie.**

REMARQUE

Bien sortir la batterie du chargeur après usage, et la conserver.

En ce qui concerne le courant de décharge d'une batterie neuve

Étant donné que les substances chimiques internes sont restées inactives dans le cas des batteries neuves ou des batteries qui sont restées longtemps inutilisées, le courant de décharge risque d'être très faible lors des première et deuxième utilisations. Ce phénomène est temporaire et le temps de recharge normal sera rétabli quand les batteries auront été rechargées 2 ou 3 fois.

Comment prolonger la durée de vie des batteries

- (1) Recharger les batteries avant qu'elles ne soient complètement épuisées.

Quand la puissance de l'outil utilisé faiblit, l'éteindre et recharger la batterie. Si l'outil continue d'être utilisé jusqu'à épuisement du courant électrique, la batterie risque d'être endommagée et sa durée de vie se raccourcira.

- (2) Eviter d'effectuer la recharge sous des températures élevées.

Une batterie est toujours chaude immédiatement après son utilisation. Si la batterie est rechargée immédiatement après utilisation, les substances chimiques internes risquent de se détériorer et la durée de vie de la batterie se raccourcira. Laisser la batterie refroidir un moment avant de l'utiliser.

ATTENTION

- Si la batterie est chargée alors qu'elle est encore chaude parce qu'elle a été laissée longtemps dans un endroit exposé à la lumière directe du soleil ou qu'elle vient d'être utilisée, la lampe témoin du chargeur s'allume pendant 1 seconde, ne s'allume pas pendant 0,5 seconde (éteint pendant 0,5 seconde) (UC18YFSL) ou s'allume en vert. (UC18YML2). Dans une telle éventualité, laisser la batterie refroidir, puis procéder à la recharge.
- Lorsque la lampe témoin clignote en rouge (à intervalles de 0,2 seconde), vérifier la présence de corps étrangers dans le connecteur de batterie du chargeur. En l'absence de corps étrangers, il s'agit probablement d'un dysfonctionnement de la batterie ou du chargeur. Les confier à un service d'entretien autorisé.
- Etant donné qu'il faut environ 3 secondes au microordinateur intégré pour confirmer l'extraction de la batterie en cours de chargement avec UC18YFSL / UC18YML2, attendre 3 secondes au minimum avant de la réinsérer pour continuer le chargement. Si la batterie est réinsérée dans les 3 secondes, elle risque de ne pas être correctement rechargée.
- Vérifier la tension de la source d'alimentation de voiture lorsque la lampe témoin clignote en vert (toutes les secondes). (UC18YML2)
Si la tension est de 12 V ou moins, cela indique que la batterie de la voiture est affaiblie et ne peut pas être chargée.
- Si la lampe témoin ne clignote pas en rouge (toutes les secondes), même alors que le cordon du chargeur ou la fiche de connexion pour allume-cigare est branché sur l'alimentation, cela indique que le circuit de protection du chargeur est peut-être désactivé.
Débrancher le cordon ou la fiche de l'alimentation, puis rétablir la connexion au bout d'une trentaine de secondes. Si cela ne provoque toujours pas le clignotement en rouge (toutes les secondes) de la lampe témoin, apporter le chargeur dans un service après-vente HiKOKI agréé.

AVANT USAGE

Action	Figure	Page
Retrait et insertion de la batterie	2	379
Charge	3	380
Sélection des accessoires	—	385

1. Utilisation du panneau de commande

- (1) Interrupteur d'alimentation (Voir Fig. 4)
Sous l'état de « Contacteur d'alimentation Arrêt », appuyer et maintenir enfoncé le contacteur d'alimentation pendant plus d'une seconde, puis l'indicateur d'alimentation s'allume en vert.

REMARQUE

Ne pas appuyer sur le levier de poussée et/ou sur la gâchette lors du processus de mise en marche de l'appareil.
Cela empêche le contacteur de mettre en marche l'appareil.

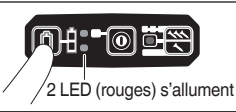
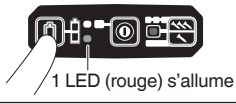
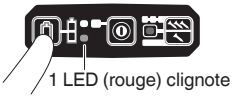
[Mise hors tension automatique]

Lorsque l'appareil est sous tension mais la cloueuse n'est pas utilisée pendant 30 minutes, elle se met automatiquement hors tension. Pour la rallumer, appuyer sur le contacteur d'alimentation.

AVERTISSEMENT

Ne jamais laisser la cloueuse sans l'avoir éteinte. Cela pourrait provoquer un accident.

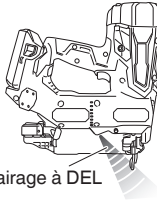

- (2) Interrupteur d'alimentation Arrêt (Voir Fig. 4)
Sous l'état de « Contacteur d'alimentation Arrêt », appuyer et maintenir enfoncé le contacteur d'alimentation pendant plus d'une seconde, puis l'indicateur d'alimentation s'éteint.
Sous l'état de « Contacteur d'alimentation Marche », les fonctions ci-dessous sont actives.
- (3) Sélectionner le mode de fonctionnement (de clouage) (Activation séquentielle complète/activation par contact)
Après la mise sous tension de l'alimentation, régler toujours le mode d'activation séquentielle complet comme mode initial. (L'indicateur de fonctionnement s'allume en bleu.) (Voir la Fig. 5)
Pour changer de mode de fonctionnement de clouage, appuyer une fois sur le contacteur de fonctionnement de clouage. Le mode passe de « Séquentiel complet » à « Par contact » à chaque pression. (Voir la Fig. 6)
Allumé (bleu) :
MÉCANISME D'ACTIVATION SÉQUENTIELLE COMPLET,
Clignotant (bleu) :
MÉCANISME D'ACTIVATION PAR CONTACT
- (4) Vérifier le niveau de charge restante de la batterie
Lorsque vous appuyez sur le contacteur d'indication de batterie, l'indicateur de batterie indique le niveau de charge restant de la batterie par l'état de la lampe DEL comme indiqué ci-dessous.

Indicateur d'état	
 <p>2 LED (rouges) s'allument</p>	La puissance résiduelle de la batterie est suffisante.
 <p>1 LED (rouge) s'allume</p>	La puissance résiduelle de la batterie est d'environ la moitié.
 <p>1 LED (rouge) clignote</p>	La puissance résiduelle de la batterie est presque nulle. Recharger la batterie le plus vite possible.

Français

(5) Autres fonctions

En cas d'erreur de fonctionnement, les lampes DEL s'affichent comme ci-dessous.

Indicateur d'état	
 <p>Éclairage à DEL</p> <p>La lampe DEL clignote à un intervalle.</p> <ul style="list-style-type: none"> • En cas de forte chaleur, clignote à 1 seconde d'intervalle. • En cas de de température trop basse, clignote à 0,5 seconde d'intervalle. <p>L'éclairage DEL et le contacteur d'alimentation s'arrête automatiquement au bout de 10 secondes.</p>	<p>La machine est trop froide (en dessous de -5°C) ou trop chaude. Laisser la cloueuse refroidir ou se réchauffer complètement dans des conditions adéquates.</p>
 <p>2 DEL clignotent en orange, au bout de 10 secondes, le commutateur d'alimentation s'éteint automatiquement.</p>	<p>Contacter HiKOKI pour une inspection.</p>

(6) Utilisation de l'éclairage DEL (voir Fig. 7)

Lorsque le contacteur d'alimentation est en marche, la DEL illumine automatiquement la pointe de l'outil.

ATTENTION


- N'exposez pas vos yeux directement à la lumière en regardant dans la lumière. Vos yeux pourraient être endommagés s'ils sont continuellement exposés à la lumière.
 - Essuyer toute poussière ou saleté située sur la lentille du témoin DEL avec un chiffon doux, en faisant attention de ne pas rayer la lentille.
- Des rayures sur la lentille du témoin DEL peuvent entraîner une baisse de la luminosité.



2. Mécanisme de verrouillage de gâchette (voir Fig. 8)

AVERTISSEMENT

Assurez-vous que la gâchette est verrouillée lorsque vous ne plantez pas de clous.

Cette cloueuse est dotée d'un mécanisme de verrouillage pour éviter que les clous ne soient plantés par accident.

Régler le levier de verrouillage du contacteur sur la position  pour verrouiller la gâchette.

Faites glisser le levier de verrouillage du contacteur à la position  lorsque la cloueuse doit être utilisée, et à la position  lorsqu'elle n'est pas utilisée.

3. Test de la cloueuse

AVERTISSEMENT

- Assurez-vous que la gâchette est verrouillée lorsque vous ne plantez pas de clous. (Voir la Fig. 8)
 - Ne jamais utiliser la cloueuse si le levier de poussée ne fonctionne pas correctement.
- Les NT1865DBAL et NT1865DBSL emploient un mécanisme préventif pour le fonctionnement à vide.

Les NT1865DBAL et NT1865DBSL entrent dans un état où le levier de poussée ne peut pas être poussé vers le haut. Cela se produit lorsque le magasin n'est pas chargé avec des clous ou lorsque le nombre de clous restants devient inférieur à 6 ou 9.

ATTENTION

Faire attention à ne pas jeter la pointe du levier de poussée sur le bois.

Avant de commencer le travail de clouage, tester la cloueuse en utilisant la liste de contrôle ci-dessous. Effectuer les tests dans l'ordre suivant.

Si un fonctionnement anormal se produit, cesser d'utiliser la cloueuse et contacter immédiatement un centre de service après-vente HiKOKI agréé.

(1) RETIRER TOUS LES CLOUS ET LA BATTERIE DE LA CLOUEUSE.

TOUTES LES VIS DOIVENT ÊTRE SERRÉES.

LE LEVIER DE POUSSÉE ET LA GÂCHETTE DOIVENT BOUGER EN DOUCEUR en tirant avec le margeur à clou (B). (NT1850DBSL : inutile de tirer sur le margeur à clou)

(2) Installation de la batterie.

Ne faites pas fonctionner le levier de poussée ou la gâchette lors de l'installation de la batterie. (Voir la Fig. 2)

(3) Mettre le contacteur d'alimentation sous tension. (Voir la Fig. 1)

Mettre le contacteur d'alimentation sous tension en appuyant et maintenant enfoncé le contacteur d'alimentation pendant plus d'une seconde.

S'assurer que le voyant d'alimentation s'allume en vert, et que l'indicateur de fonctionnement de clouage s'allume en bleu. (MÉCANISME D'ACTIVATION SÉQUENTIELLE COMPLET)

REMARQUE

Ne pas appuyer sur le levier de poussée et/ou sur la gâchette lors du processus de mise en marche de l'appareil.

Cela empêche le contacteur de mettre en marche l'appareil.

[Mise hors tension automatique]

Lorsque l'appareil est sous tension mais la cloueuse n'est pas utilisée pendant 30 minutes, elle se met automatiquement hors tension. Pour la rallumer, appuyer sur le contacteur d'alimentation.

AVERTISSEMENT

Ne jamais laisser la cloueuse sans l'avoir éteinte. Cela pourrait provoquer un accident.

Indicateur de fonctionnement de clouage

Allumé (bleu) :

MÉCANISME D'ACTIVATION SÉQUENTIELLE COMPLET,

Clignotant (bleu) :

MÉCANISME D'ACTIVATION PAR CONTACT

S'assurer que l'indicateur de batterie ne clignote pas.

Si l'indicateur de batterie clignote en rouge, la batterie ne dispose pas d'assez de puissance et a besoin d'être rechargée.

(4) Retirer le doigt de la gâchette et appuyer sur le levier de poussée contre la pièce d'ouvrage en tirant le margeur à clou vers l'arrière (B).

LA CLOUEUSE NE DOIT PAS FONCTIONNER.

- (5) Séparer le levier de poussée de la pièce d'ouvrage. Ensuite, pointer la cloueuse vers le bas, en tirant le margeur à clou vers l'arrière (B), appuyer sur la gâchette, puis attendre dans cette position pendant au moins 5 secondes.

LA CLOUEUSE NE DOIT PAS FONCTIONNER.

- (6) ① Sans toucher la gâchette, appuyer sur le levier de poussée contre la pièce d'ouvrage en tirant le margeur à clou vers l'arrière (B). Ensuite, appuyer sur la gâchette.

LA CLOUEUSE DOIT FONCTIONNER.

- ② Maintenir la gâchette et appuyer de nouveau sur le levier de poussée contre la pièce d'ouvrage.

LA CLOUEUSE NE DOIT PAS FONCTIONNER.

- ③ Sortez votre doigt de la gâchette. Ensuite, ① est utilisé à nouveau.

LA CLOUEUSE DOIT FONCTIONNER.

- (7) Séparer le levier de poussée et la pièce d'ouvrage, appuyer sur la gâchette. Appuyer sur le levier de poussée contre la pièce d'ouvrage dans un délai de 2 secondes.

LA CLOUEUSE NE DOIT PAS FONCTIONNER.

- (8) Réglage de l'indicateur de fonctionnement sur le mode de clignotement. (MÉCANISME D'ACTIVATION PAR CONTACT)

Appuyer sur le bouton de fonctionnement de clouage une fois, veiller à ce que l'indicateur clignote en bleu. Séparer le levier de poussée et la pièce d'ouvrage, appuyer sur la gâchette. Appuyer sur le levier de poussée contre la pièce d'ouvrage dans un délai de 2 secondes.

LA CLOUEUSE DOIT FONCTIONNER.

- (9) En l'absence de fonctionnement anormal, vous pouvez charger des clous dans la cloueuse. Les clous que vous plantez dans la pièce d'ouvrage doivent être du même type, utilisés dans le fonctionnement actuel.

LA CLOUEUSE DOIT FONCTIONNER CORRECTEMENT.

4. Contrôle du fonctionnement du levier-poussoir

AVERTISSEMENT

Assurez-vous que la gâchette est verrouillée lorsque vous ne plantez pas de clous.

Vérifiez toujours que la détente est verrouillée et la batterie retirée de l'outil électrique avant de vérifier le fonctionnement du levier-poussoir.

Vérifiez que le levier-poussoir glisse sans heurt.

Nettoyez la zone entourant le levier si celui-ci ne glisse pas correctement.

5. Charger des clous

AVERTISSEMENT

Lors du chargement des clous dans la cloueuse,

- 1) retirer la batterie de la cloueuse ;
- 2) ne pas appuyer sur la gâchette ;
- 3) ne pas appuyer sur le levier de poussée ; et
- 4) garder la cloueuse dirigée vers le bas.

<NT1865DBAL, NT1865DBSL>

2-Margeur de clou en action !

- (1) Insérer une bande de clou à l'arrière du magasin. (Voir la Fig. 9)

- (2) Faire glisser la bande de clous vers l'avant du magasin. (Voir la Fig. 10)

- (3) Enfoncer le margeur à clou (A) pour engager le margeur à clou (B) dans la bande de clou. (Voir la Fig. 11)

REMARQUE

- Pousser tranquillement le margeur à clou (A) et le margeur à clou (B) contre le clou.

Si le margeur à clou (A) et le margeur à clou (B) sont relâchés depuis l'arrière du magasin et cognés contre le mur, l'adhésif de connexion du clou peut être endommagé.

- Utiliser des bandes de clous de plus de 10 clous.
- Utiliser une bande de clous ininterrompue avec des clous de même longueur.

La cloueuse est maintenant prête à fonctionner.

Retrait des clous :

- ① Tirer le margeur à clou (B) vers l'arrière. (Voir Fig. 12)

- ② Remettre le margeur à clou (B) vers l'avant tout en poussant doucement le margeur à clou (A).

- ③ Retirer les clous de l'arrière du magasin. (Voir Fig. 13)

<NT1850DBSL>

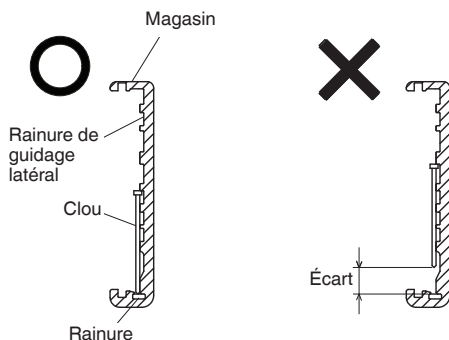
- (1) Appuyer légèrement sur le levier d'arrêt et tirer doucement sur le capot du magasin. (Voir Fig. 14)

- (2) Régler la bande de clous dans le magasin et maintenir les pointes des clous en contact avec la rainure. (Voir Fig. 15)

REMARQUE

Les clous montrés page 44 peuvent être chargés sur la rainure de guidage latéral du magasin sans aucun ajustement.

Toujours garder les pointes des clous en contact avec la rainure.



- (3) Faire glisser la bande de clouage dans le guide de lame. (Voir Fig. 16)

- (4) Vérifier que la bande de clouage est placée correctement avec la rainure et les rainures de guidage latérales, puis pousser le capot du magasin vers l'avant jusqu'à enclenchement.

COMMENT UTILISER LA CLOUEUSE

AVERTISSEMENT

- Ne JAMAIS pointer l'outil vers soi ou vers d'autres personnes dans la zone de travail.

- Ne gardez PAS les doigts sur la gâchette lorsque vous ne clouez pas, de manière à éviter un déclenchement accidentel.

- Ne pas utiliser le cordon électrique s'il est endommagé. Le faire réparer immédiatement.

Français

- Le choix de la méthode de déclenchement est important. Veuillez lire et comprendre la section « 1. Procédures de clouage » qui se trouve ci-dessous.
- Avant de commencer le travail, vérifier le dispositif de commutation d'opération de clouage. Cette cloueuse HiKOKI comprend un dispositif de commutation d'opération de clouage. Avant de commencer le travail, s'assurer que le dispositif de commutation est correctement réglé. Si le dispositif de commutation n'est pas réglé correctement, la cloueuse ne fonctionnera pas correctement.
- Ne jamais approcher le visage, les mains ou les pieds de la tête de déclenchement lors de l'utilisation.
- Ne pas enfoncer des clous au-dessus d'autres clous ou en inclinant la cloueuse avec un angle trop fort ; les clous peuvent ricocher et blesser quelqu'un.
- Ne pas enfoncer des clous dans des planches fines ou près de coins et d'angles de la pièce d'ouvrage. Les clous peuvent traverser ou rebondir sur la pièce d'ouvrage et blesser quelqu'un.
- Ne jamais enfoncer des clous des deux côtés d'un mur en même temps. Les clous peuvent traverser le mur et blesser quelqu'un de l'autre côté.
- Ne jamais utiliser une cloueuse défectueuse ou au fonctionnement anormal.
- Ne pas utiliser la cloueuse comme un marteau.
- Retirer toutes les attaches restantes et la batterie de la cloueuse dans les situations suivantes :
 - 1) entretien et inspection ;
 - 2) vérification du bon fonctionnement du levier de poussée et de la gâchette ;
 - 3) fixation ou retrait du capuchon de bec ;
 - 4) nettoyage d'un bourrage ;
 - 5) non utilisation ;
 - 6) sortie de la zone de travail ;
 - 7) transport vers un autre endroit ; et
 - 8) transmission de l'outil à une autre personne.
- Retirer la batterie de la cloueuse dans les situations suivantes :
 - 1) chargement de clous ;
 - 2) manipulation du dispositif de réglage.

Cette cloueuse HiKOKI est équipée d'un dispositif de commutation d'opération de clouage.

Utiliser le MÉCANISME À ACTIVATION SÉQUENTIELLE COMPLÈTE ou le MÉCANISME À ACTIVATION PAR CONTACT en fonction de la tâche à effectuer.

Explication des différentes opérations de clouage

- MÉCANISME À ACTIVATION SÉQUENTIELLE COMPLÈTE :

D'abord, presser le levier de poussée contre le bois ; ensuite, appuyer sur la gâchette pour enfoncer le clou. Suivre le même processus pour continuer à planter des clous.

Après avoir enfoncé le premier clou, il ne sera plus possible de clouer si le doigt n'est pas retiré de la gâchette et si l'outil n'est pas complètement soulevé de la surface du bois.

- MÉCANISME À ACTIVATION PAR CONTACT : ACTIVATION PAR CONTACT peut suivre deux séquences différentes, en fonction de votre utilisation.

Pour planter plusieurs clous :

1. Appuyer sur la gâchette.
2. Enfoncer le levier de poussée contre le bois pour enfoncer le clou.
3. Si la gâchette est maintenue appuyée, un clou sera enfoncé à chaque fois que le levier de poussée est pressé contre le bois.

Pour planter un seul clou :

1. Appuyer le levier de poussée contre le bois.
2. Appuyer sur la gâchette pour enfoncer le clou.
3. Retirer le doigt de la gâchette, et retirer la cloueuse du bois.

[Mécanisme de verrouillage à déclenchement sec]

Les NT1865DBAL et NT1865DBSL emploient un mécanisme préventif pour le fonctionnement à vide.

Les NT1865DBAL et NT1865DBSL entrent dans un état où le levier de poussée ne peut pas être poussé vers le haut. Cela se produit lorsque le magasin n'est pas chargé avec des clous ou lorsque le nombre de clous restants devient inférieur à 6 ou 9.

ATTENTION

Faire attention à ne pas jeter la pointe du levier de poussée sur le bois lorsque le levier de poussée ne peut pas être poussé vers le haut.

1. Procédures de clouage

Cette cloueuse est équipée d'un levier de poussée et ne fonctionne pas à moins que le levier de poussée soit enfoncé.

Il existe deux modes de fonctionnement pour enfoncer des clous avec cette cloueuse.

Ils sont :

1. Fonctionnement intermittent (déclenchement de la gâchette) ;
2. Fonctionnement en continu (déclenchement du levier de poussée) ;

- (1) Fonctionnement intermittent (déclenchement de la gâchette)

Utiliser le réglage de MÉCANISME À ACTIVATION SÉQUENTIELLE COMPLÈTE. (Voir **Fig. 17**)

AVERTISSEMENT

- Pour un fonctionnement intermittent, régler le commutateur d'opération de clouage sur MÉCANISME À ACTIVATION SÉQUENTIELLE COMPLÈTE (L'indicateur d'opération de clouage s'allume en bleu.) (En d'autres termes, régler sur MÉCANISME À ACTIVATION SIMPLE.)

- Pour éviter un déclenchement double ou un déclenchement accidentel dû au recul.

- 1) Régler sur MÉCANISME À ACTIVATION SÉQUENTIELLE COMPLÈTE.

- 2) Appuyer sur la gâchette rapidement et fermement.

- ① Régler le commutateur d'opération de clouage sur MÉCANISME À ACTIVATION SÉQUENTIELLE COMPLÈTE (L'indicateur d'opération de clouage s'allume en bleu.)

(pour régler sur MÉCANISME À ACTIVATION SÉQUENTIELLE COMPLÈTE).

(Basculer complètement le dispositif de commutation vers le témoin lumineux d'opération de clouage de couleur bleue comme indiqué dans la **Fig. 17**. Sinon, il sera réglé sur MÉCANISME À ACTIVATION PAR CONTACT.)

- ② Positionner la tête de sortie de clous sur la pièce d'ouvrage en gardant le doigt loin de la gâchette.
- ③ Appuyer fermement sur le levier de poussée jusqu'à ce qu'il soit enfoncé complètement.
- ④ Appuyer sur la gâchette pour enfoncer un clou.
- ⑤ Retirer le doigt de la gâchette et soulever l'outil de manière à ce qu'il ne soit plus du tout en contact avec la surface en bois.

Pour continuer à clouer dans un autre endroit, déplacer la cloueuse le long du bois, en répétant les étapes ② - ⑤ comme requis.

REMARQUE

Les opérations ③ et ④ doivent être réalisées dans un intervalle de temps de 2 secondes. Si plus de 2 secondes s'écoulent après ③, la cloueuse ne fonctionnera pas correctement. Si cela se produit, réessayer à partir de ③.

- (2) Fonctionnement en continu (Tir par levier de poussée) Utilisation du MÉCANISME À ACTIVATION PAR CONTACT (Voir la **Fig. 18**)

AVERTISSEMENT

Pour éviter un déclenchement double ou un déclenchement accidentel dû au recul.

- 1) Ne pas presser la cloueuse contre le bois avec une force excessive.
- 2) Éloigner la cloueuse du bois car elle recule après le clouage.
- ① Régler le commutateur d'opération de clouage sur **MÉCANISME À ACTIVATION PAR CONTACT** (L'indicateur d'opération de clouage clignote en bleu.) (pour régler sur **MÉCANISME À ACTIVATION PAR CONTACT**).
(Basculer complètement le dispositif de commutation de sorte que le témoin lumineux d'opération de clouage clignote en bleu comme indiqué dans la **Fig. 18**. Sinon, il ne fonctionnera pas correctement.)
- ② Appuyer sur la gâchette en maintenant la cloueuse éloignée de la pièce d'ouvrage.
- ③ Enfoncer le levier de poussée contre la pièce d'ouvrage pour enfoncer un clou.
- ④ Déplacer la cloueuse le long de la pièce d'ouvrage avec un mouvement de rebond.
Chaque enfoncement du levier de poussée enfoncera un clou.

Dès que le nombre souhaité de clous a été enfoncé, retirer le doigt de la gâchette.

REMARQUE

Les opérations ② et ③ doivent être réalisées dans un intervalle de temps de 2 secondes. Si plus de 2 secondes s'écoulent après ②, la cloueuse ne fonctionnera pas correctement. Si cela se produit, réessayer à partir de ②.

AVERTISSEMENT

- Garder le doigt loin de la gâchette sauf pendant l'opération de clouage, car des blessures graves pourraient se produire si le levier de poussée entre accidentellement en contact avec vous ou d'autres personnes dans la zone de travail.
- Garder les mains et le corps loin de la zone de déchargement. Cette cloueuse HiKOKI peut rebondir à cause du recul suite à l'enfoncement d'un clou et un autre clou peut être enfoncé de manière inopinée, ce qui peut engendrer des blessures.

REMARQUE

- Si tous les avertissements et instructions sont pris en compte, une utilisation en toute sécurité est possible avec les deux systèmes : **MÉCANISME À ACTIVATION SÉQUENTIELLE COMPLÈTE**, **MÉCANISME À ACTIVATION PAR CONTACT**.
- Toujours manipuler les clous et l'emballage avec précaution. Si des clous tombent, le lien d'assemblage peut être rompu, ce qui causera des problèmes d'alimentation et de bourrage.
- Après le clouage :
 - 1) retirer la batterie de la cloueuse ;
 - 2) retirer tous les clous de la cloueuse ;
- 2. **Réglage de la profondeur de clouage**
Pour s'assurer que chaque clou pénètre jusqu'à la même profondeur, faire en sorte que la cloueuse soit toujours maintenue fermement contre la pièce d'ouvrage.
Si les clous sont enfoncés trop profondément ou pas assez dans la pièce d'ouvrage, régler le clouage en suivant l'ordre suivant.
 - ① Retirer la batterie de la cloueuse.
 - ② Si les clous sont enfoncés trop profondément, tourner le dispositif de réglage vers le côté peu profond. (Voir **Fig. 19**)
Les réglages se font par incréments d'un demi-tour. Si les clous ne sont pas enfoncés assez profondément, tourner le dispositif de réglage vers le côté profond. (Voir **Fig. 20**)
 - ③ Arrêter de tourner le dispositif de réglage lorsqu'une position convenable est atteinte pour un test de clouage.

- ④ Connecter la batterie à la cloueuse.
TOUJOURS PORTER DES LUNETTES DE PROTECTION.
Effectuer un test de clouage.
- ⑤ Retirer la batterie de la cloueuse.
- ⑥ Choisir une position convenable pour le dispositif de réglage.

3. Utilisation du crochet (Voir Fig. 21, 22, 23)

AVERTISSEMENT

Lors de l'utilisation du crochet, éteindre l'interrupteur d'alimentation (témoin vert « OFF »). Faire suffisamment attention à ce que l'équipement principal ne tombe pas. Si l'outil tombe, il y a un risque d'accident.

Le crochet peut être installé sur le côté gauche ou droit. (à l'exclusion de NT1865DBAL)

- ① Retirez la batterie, puis retirez toutes les clous restants du magasin.
- ② Tenir fermement l'unité principale et retirer la vis à l'aide d'un tournevis. (Voir la **Fig. 21**)
- ③ Retirer le crochet et la plaque à crochet. (Voir la **Fig. 22**)
- ④ Installer le crochet de l'autre côté et le fixer fermement avec la vis. (Voir la **Fig. 23**)

REMARQUE

Le crochet peut être utilisé comme un cintre.

4. Utilisation du capuchon de bec (Voir Fig. 24, 25)

AVERTISSEMENT

Lors de la fixation ou du retrait du capuchon de bec, s'assurer de retirer le doigt de la gâchette et retirer toutes les attaches restantes et la batterie de la cloueuse.

Si vous souhaitez protéger la surface de la pièce d'ouvrage contre les rayures ou les marques faites par le levier de poussée, attachez le capuchon de bec accessoire au levier de poussée.

- ① Retirer toutes les attaches restantes et la batterie de la cloueuse.
- ② Placer le capuchon de bec à la pointe du levier de poussée.
- ③ Le capuchon de bec est marqué pour indiquer le point de sortie du clou, de manière à faciliter l'alignement.
- ④ Lorsque le capuchon de bec n'est pas utilisé, le placer dans le compartiment de stockage situé sur le côté opposé du magasin.

REMARQUE

Le capuchon de bec peut réduire la profondeur de clouage à cause de son épaisseur. Un réajustement de la profondeur de clouage est nécessaire.

5. Suppression d'un bourrage

Si des clous sont coincés dans la tête de tir, la retirer, et régler le clouage en suivant l'ordre suivant.

ATTENTION

Retirer la batterie de la cloueuse.

- ① Retirer la batterie de la cloueuse.
- ② Retirer tous les clous.
- ③ Libérer le levier de verrouillage et ouvrir la plaque de guidage. (Voir **Fig. 26**)
- ④ Retirer le clou coincé à l'aide d'un tournevis à lame plate. (Voir **Fig. 27**)

ATTENTION

- Ne JAMAIS frapper la lame de guidage.
- NE JAMAIS pointer l'outil vers vous ou une autre personne, pour éviter tout risque de blessure par déclenchement accidentel.

Même si la batterie est retirée de la cloueuse, il reste encore l'énergie de l'air comprimé à l'intérieur.

- ⑤ Fermer la plaque de guidage et verrouiller.

REMARQUE

En cas de bourrages fréquents, contacter un service après-vente agréé par HiKOKI.

ENTRETIEN ET INSPECTION

ATTENTION

S'assurer de retirer toutes les attaches restantes et la batterie de la cloueuse avant l'entretien et l'inspection.

1. Inspection du magasin

- ① Retirer la batterie de la cloueuse.
- ② Nettoyer le magasin. Retirer la poussière et les copeaux de bois qui peuvent s'être accumulés dans le magasin.

ATTENTION

Vérifier que le margeur à clou glisse facilement en tirant dessus avec un doigt.

S'il ne glisse pas facilement, les clous peuvent être entraînés avec un angle irrégulier et causer des blessures.

2. Vérification des vis de fixation

Vérifier régulièrement toutes les vis de fixation et s'assurer qu'elles sont bien serrées. S'il advient qu'une vis se desserre, la resserrer immédiatement. Le fait de négliger ce point pourrait entraîner de graves dangers.

3. Entretien du moteur

Le bobinage de l'ensemble moteur est le « cœur » même de l'outil électrique. Veiller soigneusement à ce que ce bobinage ne soit pas endommagé et/ou mouillé par de l'huile ou de l'eau.

4. Inspection des bornes (outil et batterie)

Assurez-vous qu'aucun copeau ou poussière se n'est accumulé sur les bornes.

À l'occasion, vérifier avant, pendant et après le fonctionnement.

ATTENTION

Retirez tous les copeaux ou la poussière qui se sont accumulés sur les bornes.

Le non-respect de cette consigne pourrait provoquer un dysfonctionnement.

5. Nettoyage de l'extérieur

Quand l'outil électrique est sale, l'essuyer avec un chiffon sec et doux ou un chiffon imbibé d'eau savonneuse. Ne pas utiliser de solvant au chlore, d'essence ou de diluant, car ils font fondre les matières plastiques.

6. Rangement

Ranger l'outil électrique dans un endroit où la température est inférieure à 40°C et hors de portée des enfants.

REMARQUE

Stockage des batteries au lithium-ion.

S'assurer que les batteries au lithium-ion ont été entièrement chargées avant de les stocker.

Le stockage prolongé (3 mois ou plus) de batteries faiblement chargées peut entraîner une détérioration des performances, réduisant considérablement la durée d'autonomie des batteries alors incapables de tenir une charge.

Il est cependant possible de recouvrer la capacité d'autonomie d'une batterie considérablement endommagée en alternant deux à cinq fois charge et utilisation.

Si la durée d'autonomie de la batterie reste extrêmement courte malgré les charges et utilisations consécutives, considérer la batterie en fin de vie et s'en procurer une neuve.

ATTENTION

Lors de l'utilisation et de l'entretien d'un outil électrique, respecter les règlements et les normes de sécurité en vigueur dans le pays en question.

Avis important sur les batteries pour outils électriques sans fil HiKOKI

Toujours utiliser une de nos batteries originales spécifiées. Nous ne saurions garantir la sécurité et la performance de notre outil électrique sans fil s'il est utilisé avec une batterie autre que celle que nous avons spécifiée, ou encore si la batterie est démontée et modifiée (par exemple, le démontage et remplacement des cellules ou autres composants internes).

GARANTIE

Nous garantissons que l'ensemble des outils électriques HiKOKI sont conformes aux réglementations spécifiques statutaires/nationales. Cette garantie ne couvre pas les défauts ni les dommages inhérents à une mauvaise utilisation, une utilisation abusive ou l'usure et les dommages normaux. En cas de réclamation, veuillez envoyer l'outil électrique, en l'état, accompagné du CERTIFICAT DE GARANTIE qui se trouve à la fin du mode d'emploi, dans un service après-vente HiKOKI agréé.

Information sur le bruit

Valeurs des caractéristiques de bruit conformément à EN 60745:

Niveau type de puissance sonore de l'enfoncement d'un clou, pondéré A $L_{WA, A, s, d} = 92$ dB

Niveau type de pression sonore d'émission de l'enfoncement d'un clou, pondéré A, au poste de travail $L_{pA, A, s, d} = 81$ dB

Incertitude KpA: 3 dB

Ces valeurs sont des valeurs caractéristiques relatives à l'outil et elles ne représentent pas la génération de bruit au point d'utilisation. La génération de bruit au point d'utilisation pourra dépendre par exemple de l'environnement de travail, de la pièce, du support de pièce, du nombre d'opérations de clouage, etc.

Selon les conditions du lieu de travail et la forme de la pièce, il faudra peut-être adopter des mesures individuelles d'atténuation du bruit, par exemple en plaçant les pièces sur des supports d'insonorisation, en supprimant la vibration des pièces au moyen de serrage ou de couvertures, etc.

Dans certains cas spéciaux, il faudra porter des protections anti-bruit.

Information sur les vibrations

La valeur type des caractéristiques de vibrations conformément à EN 60745: 2,6 m/s².

Incertitude K = 1,5 m/s²

Cette valeur est une valeur caractéristique relative à l'outil et elle ne représente pas l'influence sur le système main-bras lors du fonctionnement de l'outil. L'influence sur le système main-bras lors du fonctionnement de l'outil pourra dépendre par exemple de la force de saisie, de la force de la pression de contact, du sens de travail, du réglage de l'alimentation énergétique, de la pièce et du support de pièce.

La valeur totale des vibrations a été mesurée par une méthode d'essai standard et peut être utilisée pour comparer un outil à un autre.

Elle peut également être utilisée pour une évaluation préliminaire du niveau d'exposition.

AVERTISSEMENT

- La valeur d'émission de vibrations en fonctionnement de l'outil électrique peut être différente de la valeur totale déclarée, en fonction des utilisations de l'outil.
- Identifier les mesures de protection de l'utilisateur fondées sur une estimation de l'exposition en conditions d'utilisation (tenant compte de tous les aspects du cycle d'utilisation, tels que les moments où l'outil est mis hors tension ou lorsqu'il tourne à vide en plus des temps de déclenchements).

REMARQUE

Par suite du programme permanent de recherche et de développement HiKOKI, ces spécifications peuvent faire l'objet de modifications sans avis préalable.

Tableau d'entretien

ACTION	POURQUOI	COMMENT
Nettoyer le magasin et le mécanisme d'alimentation.	Empêcher un bourrage.	Nettoyer en soufflant quotidiennement.
Maintenir le levier de poussée en bon état de marche.	Promouvoir la sécurité de l'opérateur et un fonctionnement efficace de la cloueuse.	Nettoyer en soufflant quotidiennement.

RÉSOLUTION DES PROBLÈMES

Procéder aux inspections indiquées dans le tableau ci-dessous si l'outil ne fonctionne pas correctement. Si ceci ne résout pas le problème, contactez votre revendeur ou le centre de service après-vente HiKOKI agréé.

PROBLÈME	MÉTHODE DE VÉRIFICATION	CORRECTION
Le commutateur d'alimentation ne s'allume pas. Il s'allume une fois, mais s'éteint automatiquement.	Batterie déchargée.	Recharger la batterie.
	Composantes électroniques internes endommagées.	Contactez HiKOKI pour un remplacement.
	Le levier de poussée et/ou la gâchette est à l'état enfoncé ?	Maintenir le levier de poussée et la gâchette à l'état relâché.
	Aucune opération effectuée pendant plus de 30 minutes ? (Fonction d'extinction automatique)	Appuyer longuement sur le commutateur d'alimentation pendant plus d'1 seconde pour le mettre en position « ON ».
La cloueuse ne fonctionne pas (Commutateur d'alimentation en position ON).	La cloueuse n'est pas suffisamment pressée contre la pièce d'ouvrage.	Maintenir la cloueuse fermement et la presser complètement contre la pièce d'ouvrage.
	La gâchette n'est pas suffisamment enfoncée.	Appuyer fermement sur la gâchette.
	Plus de 2 secondes s'écoulent entre l'enfoncement du levier de poussée et celui de la gâchette (ou entre l'enfoncement de la gâchette et celui du levier de poussée).	S'assurer que moins de 2 secondes s'écoulent entre l'enfoncement du levier de poussée et celui de la gâchette (ou entre l'enfoncement de la gâchette et celui du levier de poussée).
	Mécanisme préventif activé. (Pas de clous, ou trop peu d'attaches restantes) (à l'exclusion de NT1850DBSL)	Recharger les clous dans le magasin.
	Le levier de verrouillage du commutateur (fonction de verrouillage du déclencheur) est en position « ON ».	Mettre le levier de verrouillage du commutateur en position « OFF ». (Se référer à la Fig. 8)
	La machine est trop froide (en dessous de -5°C) ou trop chaude. (Le témoin LED clignote à intervalles réguliers, et le commutateur d'alimentation s'éteint après 10 secondes.) (Se référer à la page 48)	Laisser la cloueuse refroidir ou se réchauffer complètement dans des conditions adéquates.
	Composantes électroniques internes endommagées.	Contactez HiKOKI pour un remplacement.

Français

PROBLÈME	MÉTHODE DE VÉRIFICATION	CORRECTION
La cloueuse fonctionne, mais aucun clou n'est enfoncé.	Le magasin est sale.	Souffler et essuyer le magasin pour le nettoyer.
	Vérifier s'il y a un bourrage.	Éliminer un bourrage (se reporter aux Fig. 26, 27).
	La lame de guidage est usée ou endommagée ?	Contactez HiKOKI pour un remplacement.
	Le ressort à ruban est affaibli ou endommagé ?	Remplacer le ressort à ruban.
	Le margeur à clou est endommagé ?	Remplacer le margeur à clou.
	Vérifier si les clous sont appropriés.	Utiliser uniquement des clous recommandés.
Entraînement faible. Cycle lent.	Vérifier la position du dispositif de réglage de profondeur de clouage.	Réajuster en suivant les Fig. 19, 20 .
	La lame de guidage est usée ?	Contactez HiKOKI pour un remplacement.
	La pression de l'air comprimé est devenue faible.	Contactez HiKOKI pour un remplacement.
	Composantes électroniques internes endommagées.	Contactez HiKOKI pour un remplacement.
L'enfoncement des clous est trop profond.	Vérifier la position du dispositif de réglage de profondeur de clouage.	Réajuster en suivant les Fig. 19, 20 .
Des clous sont sautés. Alimentation intermittente.	Vérifier si les clous sont appropriés.	Utiliser uniquement des clous recommandés.
	Le margeur à clou est endommagé ?	Remplacer le margeur à clou.
	Le ressort à ruban est affaibli ou endommagé ?	Remplacer le ressort à ruban.
	La lame de guidage est usée ou endommagée ?	Contactez HiKOKI pour un remplacement.
Bourrage de clous. Le clou éjecté est plié.	Vérifier si les clous sont appropriés.	Utiliser uniquement des clous recommandés.
	La lame de guidage est usée ou endommagée ?	Contactez HiKOKI pour un remplacement.

AVVERTIMENTI GENERALI DI SICUREZZA SUGLI UTENSILI ELETTRICI

⚠ ATTENZIONE

Leggere tutti gli avvertimenti di sicurezza e tutte le istruzioni.

La mancata osservanza degli avvertimenti e delle istruzioni potrebbe essere causa di scosse elettriche, incendi e/o gravi lesioni.

Salvare tutti gli avvertimenti e le istruzioni per riferimenti futuri.

Il termine "elettroutensili" riportato nelle avvertenze si riferisce agli elettroutensili azionati con alimentazione di rete (via cavi) o a batterie (senza cavi).

1) Sicurezza dell'area operativa

- Mantenere l'area operativa pulita e ordinata.**
Aree operative sporche o disordinate possono favorire gli infortuni.
- Non utilizzare gli elettroutensili in atmosfere esplosive, ad es. in presenza di liquidi, gas o polveri infiammabili.**
Gli elettroutensili generano delle scintille che potrebbero accendere la polvere o i fumi.
- Tenere lontani bambini e astanti durante l'utilizzo degli elettroutensili.**
Qualsiasi distrazione può essere causa di perdita di controllo.

2) Sicurezza elettrica

- Le spine degli elettroutensili devono essere idonee alle prese disponibili.**
Non modificare mai le prese.
Con gli elettroutensili a massa (messi a terra), non utilizzare alcun adattatore.
L'utilizzo di spine intatte e corrispondenti alle prese disponibili ridurrà il rischio di scosse elettriche.
- Evitare qualsiasi contatto con le superfici a massa o a terra, quali tubi, radiatori, fornelli e frigoriferi.**
In caso di messa a terra o massa del corpo, sussiste un maggior rischio di scosse elettriche.
- Non esporre gli elettroutensili alla pioggia o all'umidità.**
La penetrazione di acqua negli elettroutensili aumenterà il rischio di scosse elettriche.
- Non tirare il cavo. Non utilizzarlo per il trasporto, o per tirare o scollegerne l'elettroutensile.**
Tenere il cavo lontano da fonti di calore, oli, bordi appuntiti o parti in movimento.
Cavi danneggiati o attorcigliati possono aumentare il rischio di scosse elettriche.
- Durante l'uso degli elettroutensili all'esterno, utilizzare una prolunga idonea per usi esterni.**
L'utilizzo di cavi per esterno riduce il rischio di scosse elettriche.
- Se è impossibile evitare l'impiego di un elettroutensile in un luogo umido, utilizzare l'alimentazione protetta da un dispositivo a corrente residua (RCD).**
L'uso di un RCD riduce il rischio di scosse elettriche.

3) Sicurezza personale

- Durante l'uso degli elettroutensili, state all'erta, verificate ciò che state eseguendo e adottate sempre il buon senso.**
Non utilizzate gli elettroutensili qualora siate stanchi, sotto l'influenza di farmaci, alcol o cure mediche.

Anche un attimo di disattenzione durante l'uso degli elettroutensili potrebbe essere causa di gravi lesioni personali.

- Indossate l'attrezzatura di protezione personale. Indossate sempre le protezioni oculari.**
L'attrezzatura protettiva, quali maschera facciale, calzature antiscivolo, caschi o protezioni oculari ridurrà il rischio di lesioni personali.
 - Impedite le accensioni involontarie. Prima del collegamento a una sorgente di alimentazione e/o pacco batteria e prima di raccogliere o trasportare l'utensile, verificate che l'interruttore sia posizionato su OFF.**
Il trasporto degli elettroutensili tenendo le dita sull'interruttore o l'attivazione elettrica degli utensile che hanno l'interruttore su ON, implica il rischio di incidenti.
 - Prima di attivare l'elettroutensile, rimuovete qualsiasi chiave di regolazione.**
Lasciando la chiave in un componente in rotazione dell'elettroutensile, sussiste il rischio di lesioni personali.
 - Mantenersi in equilibrio. Mantenersi sempre su due piedi, in equilibrio stabile.**
Ciò consente di controllare al meglio l'elettroutensile in caso di situazioni impreviste.
 - Vestirsi in modo adeguato. Non indossare abiti larghi o gioielli. Tenere i capelli, gli abiti e i guanti lontano dalle parti in movimento.**
Abiti allentati, gioielli e capelli lunghi potrebbero impigliarsi nelle parti in movimento.
 - In caso di dispositivi provvisti di collegamento ad apparecchiature di rimozione e raccolta polveri, verificare che queste siano collegate e utilizzate in modo adeguato.**
L'utilizzo della raccolta della polvere può ridurre i rischi connessi alle polveri.
- #### 4) Utilizzo e manutenzione degli elettroutensili
- Non utilizzare elettroutensili non idonei.**
Utilizzare l'elettroutensile idoneo alla propria applicazione.
Utilizzando l'elettroutensile corretto, si garantirà un'esecuzione migliore e più sicura del lavoro, alla velocità di progetto.
 - Non utilizzare l'elettroutensile qualora non sia possibile accenderlo/spegnere tramite l'interruttore.**
È pericoloso utilizzare elettroutensili che non possano essere azionati dall'interruttore. Provvedere alla relativa riparazione.
 - Prima di effettuare qualsiasi regolazione, sostituire gli accessori o depositare gli elettroutensili, scollegare la spina dalla presa elettrica e/o il pacco batteria dall'utensile elettrico.**
Queste misure di sicurezza preventive riducono il rischio di avvio involontario dell'elettroutensile.
 - Depositare gli elettroutensili non utilizzati lontano dalla portata dei bambini ed evitare che persone non esperte di elettroutensili o non a conoscenza di quanto riportato sulle presenti istruzioni azionino l'elettroutensile.**
È pericoloso consentire che utenti non esperti utilizzino gli elettroutensili.
 - Manutenzione degli elettroutensili. Verificare che non vi siano componenti in movimento disallineati o bloccati, componenti rotti o altre condizioni che potrebbero influenzare negativamente il funzionamento dell'elettroutensile.**
In caso di guasti, provvedere alla riparazione dell'elettroutensile prima di riutilizzarlo.
Molti incidenti sono causati da una scarsa manutenzione.

- f) **Mantenere gli strumenti di taglio affilati e puliti.**
Gli strumenti di taglio in condizioni di manutenzione adeguata, con bordi affilati, sono meno soggetti al bloccaggio e sono più facilmente controllabili.
- g) **Utilizzare l'elettro utensile, gli accessori, le punte, ecc. in conformità a quanto riportato nelle presenti istruzioni, tenendo in debita considerazione le condizioni operative e il tipo di lavoro da eseguire.**
L'uso dell'utensile elettrico per operazioni diverse da quelle previste potrebbe causare una situazione pericolosa.

5) Utilizzo e cura dell'utensile batteria

- a) **Ricaricare solo con il caricatore specificato dal produttore.**
Un caricatore adatto per un tipo di gruppo batteria può creare un rischio di incendio quando viene utilizzato con un altro gruppo batteria.
- b) **Usare utensili elettrici con gruppi batteria specificatamente designati.**
L'utilizzo di qualsiasi altro gruppo batteria può creare un rischio di lesioni e incendi.
- c) **Quando il gruppo batteria non viene utilizzato, tenerlo lontano da altri oggetti metallici come graffette, monete, chiavi, chiodi, viti, o altri piccoli oggetti metallici che possono creare una connessione da un terminale a un altro.**
Cortocircuitare i terminali della batteria insieme può causare ustioni o incendi.
- d) **In condizioni abusive, del liquido può fuoriuscire dalla batteria; evitare il contatto. Se il contatto si verifica accidentalmente, sciacquare con acqua. Se il liquido entra a contatto con gli occhi, richiedere assistenza medica.**
Il liquido che fuoriesce dalla batteria può causare irritazioni o ustioni.

6) Assistenza

- a) **Affidate le riparazioni dell'elettro utensile a persone qualificate che utilizzino solamente parti di ricambio identiche.**
Ciò garantirà il mantenimento della sicurezza dell'elettro utensile.

PRECAUZIONI

Tenere lontano dalla portata di bambini e invalidi. Quando non utilizzati, gli strumenti dovranno essere depositi lontano dalla portata di bambini e invalidi.

CHIODATRICE PER FINITURA CORDLESS/CHIODATRICE PER CHIODI CON TESTA A SCOMPARSA AVVERTENZE DI SICUREZZA

- 1. Considerare sempre che l'utensile contenga punti.**
Maneggiare incautamente la chiodatrice può provocare l'inaspettata espulsione dei fissaggi e lesioni personali.
- 2. Non puntare l'utensile verso sé stessi o altre persone vicine.**
Lo scatto improvviso può far sparare dei punti e causare lesioni personali.
- 3. Non azionare l'utensile finché non è posizionato saldamente contro il pezzo da lavorare.**
Se l'utensile non è a contatto con il pezzo dal lavorare, la graffettatrice potrebbe venire deviata dal punto desiderato.
- 4. Scollegare l'utensile dalla fonte di alimentazione quando i punti si inceppano nell'utensile.**
Mentre si rimuove un fissaggio inceppato, la chiodatrice potrebbe essere attivata accidentalmente se è collegata alla presa.

5. Nella rimozione dei punti inceppati, usare la massima cautela.

Durante il tentativo di rimuovere l'inceppamento, il meccanismo potrebbe essere sotto pressione e sparare forzatamente i punti contenuti.

6. Non utilizzare questa chiodatrice per il fissaggio di cavi elettrici.

L'utensile non è previsto per l'installazione di cavi elettrici e potrebbe danneggiare l'isolamento dei cavi, con conseguente pericolo di scosse elettriche e incendio.

PRECAUZIONI DI SICUREZZA AGGIUNTIVE

1. Operazioni sicure grazie a un corretto uso.

Questo utensile è stato progettato per inserire dei chiodi nel legno e in altri materiali simili. Usatelo solo a questo fine.

2. Fate attenzione ad accensioni e ad esplosioni.

A causa delle scintille che potrebbero volare durante le operazioni, è pericoloso usare questo utensile vicino a lacca, vernice, benzina, solvente, gasolio, gas, adesivi e altre sostanze infiammabili simili che potrebbero infiammarsi ed esplodere. In nessuna circostanza questo utensile può essere utilizzato in prossimità di materiali infiammabili.

3. Indossate sempre una protezione per gli occhi (occhiali di protezione).

Quando usate questo utensile, indossate sempre gli occhiali di protezione, e assicuratevi che anche le persone intorno li indossino.

La possibilità che frammenti di cavo o di plastica che uniscono i chiodi o che chiodi non propriamente inseriti colpiscano gli occhi è da prevedere. Gli occhiali di protezione possono essere acquistati in qualsiasi negozio di ferramenta. Indossateli sempre durante l'uso dell'utensile. Usate gli occhiali di protezione o la mascherina ad ampia visuale su prescrizione.

L'utilizzatore dovrebbe sempre preoccuparsi di utilizzare l'equipaggiamento di protezione.

4. Proteggete le vostre orecchie e la testa.

Quando siete impegnati nell'uso della chiodatrice, indossate sempre le protezioni per orecchie e testa. Inoltre, in base alla condizione, assicuratevi che anche le persone intorno indossino il para orecchie e la protezione per la testa.

5. Fate attenzione a quelli che lavorano vicino a voi.

Potrebbe essere molto pericoloso se i chiodi che non sono stati correttamente inseriti colpiscono altre persone. In ogni caso, fate sempre attenzione alla sicurezza delle persone attorno a voi quando state usando la chiodatrice. Assicuratevi che non ci sia il corpo di qualcuno, mani o piedi vicino all'uscita dei chiodi.

6. Non puntate mai la chiodatrice in direzione delle persone.

Tenete sempre chiusa la chiodatrice. Se l'apertura è puntata in direzione di persone, in caso di attivazione accidentale della chiodatrice, potrebbero verificarsi incidenti gravi.

Quando si collega e si scollega la batteria, durante il caricamento di chiodi o simili operazioni, assicurarsi che l'uscita del chiodo non sia puntata verso altre persone (incluso se stessi). Anche se la chiodatrice non è caricata, è comunque pericoloso scaricare l'utensile mentre è puntato in direzione di qualcuno. Non scherzate con questo prodotto; abbiate cura come con qualsiasi altro strumento di lavoro.



7. Controllare la leva a pressione prima dell'uso.

Assicurarsi che la leva a pressione funzioni correttamente. (La leva a pressione potrebbe essere denominata "Sicurezza".) Non utilizzare mai la chiodatrice a meno che la leva a pressione non funzioni correttamente, altrimenti la chiodatrice potrebbe inaspettatamente piantare un fissaggio. Non manomettere né rimuovere la leva a pressione, altrimenti la leva a pressione potrebbe diventare inoperabile.

8. La scelta del metodo di attivazione è importante.

Leggere e comprendere la sezione intitolata "COME UTILIZZARE LA CHIODATRICE" a pagina 67.

9. Prima di utilizzare questo prodotto, controllare che funzioni correttamente in conformità con il contenuto di "Prova della chiodatrice" a pagina 66.**10. Usate solo chiodi specifici.**

Non usate mai chiodi diversi da quelli descritti in queste istruzioni.

11. Prestate molta attenzione quando collegate la batteria.

Quando collegate le batterie e caricate i chiodi, affinché la chiodatrice non spari dei colpi accidentalmente, verificate quanto segue.

- Non toccate il grilletto.
- Non lasciate che l'estremità della chiodatrice tocchi alcuna superficie.
- Tenete l'estremità della chiodatrice verso il basso. Seguite strettamente le istruzioni di cui sopra e assicuratevi sempre che non vi sia alcuna parte del vostro corpo o di quello di altre persone di fronte all'apertura della chiodatrice.

12. Evitate di mettere il dito sul grilletto.

Non mettete il dito sul grilletto eccetto quando dovete sparare i chiodi. Se porgete o consegnate l'utensile a qualcuno mentre avete il vostro dito appoggiato sul grilletto, potreste inavvertitamente sparare un chiodo e causare un incidente.

13. Premete con forza l'apertura della chiodatrice contro il materiale interessato.

Quando guidate un chiodo, premete con forza l'apertura dell'utensile contro il materiale da colpire. Se l'apertura non è correttamente premuta, i chiodi potrebbero rimbalzare.

14. Tenete le mani e i piedi lontani dalla testa dell'utensile quando lo usate.

È molto pericoloso che la chiodatrice colpisca mani o piedi per errore.

**15. State attenti al contraccolpo.**

Non avvicinatevi all'estremità dell'utensile con il capo durante le operazioni. Sarebbe molto pericoloso perché l'utensile potrebbe subire un violento contraccolpo se il chiodo che state guidando, entra in contatto con uno già inserito o con un nodo del legno.

16. Prestare attenzione alla doppia espulsione causata dal rinculo.

Se alla leva a pressione viene intenzionalmente consentito di contattare nuovamente il pezzo dopo il rinculo, verrà piantato un fissaggio non desiderato.

Allo scopo di evitare questa doppia espulsione indesiderata,

- Funzionamento intermittente (attivazione a grilletto)
 - 1) Impostare il dispositivo di commutazione su MECCANISMO DI ATTUAZIONE SEQUENZIALE COMPLETA.
 - 2) Tirare il grilletto rapidamente e saldamente.
- Funzionamento continuo (attivazione con leva a pressione)
 - 1) Non premere la chiodatrice contro il legno con forza eccessiva.

2) Separare la chiodatrice dal legno poiché rincula dopo il fissaggio.

17. Usate molta cautela quando inchiodate assi sottili o gli angoli del legno.

Quando inchiodate assi sottili, i chiodi potrebbero trapassare, così come anche nel caso in cui dovete inchiodare gli angoli del legno a causa della deviazione dei chiodi. In questi casi assicuratevi sempre che non vi sia nessuno nelle vicinanze dietro l'asse o vicino al legno che dovete inchiodare.

18. La chiodatura simultanea da ambo le parti della stessa parete è pericolosa.

In nessun caso la chiodatura dovrebbe essere fatta allo stesso tempo sui due lati di una parete.

Questo potrebbe essere molto pericoloso perché i chiodi possono attraversare la parete e causare seri incidenti.

19. Non usare l'utensile elettrico su scaffalature, scale.

L'utensile elettrico non va usato per applicazioni specifiche, come ad esempio:

- Quando il passaggio da un punto di chiodatura ad un altro prevede l'uso di scaffalature, gradini, scale o simili, come intelaiature,
- Chiusura di scatole o casse,
- Applicazione di sistemi di sicurezza per trasporto, ad esempio su veicoli o rimorchi

20. Rimuovere tutti i fissaggi rimanenti e la batteria dalla chiodatrice quando:

- 1) si eseguono la manutenzione e l'ispezione;
- 2) si controlla il corretto funzionamento di leva a pressione e grilletto;
- 3) si collega o rimuove il tappo della punta;
- 4) si elimina un inceppamento;
- 5) non è in uso;
- 6) si lascia l'area di lavoro;
- 7) ci si sposta in un'altra posizione; e
- 8) la si passa a un'altra persona.

Non tentare mai di eliminare un inceppamento o riparare la chiodatrice a meno che non siano stati rimossi la batteria e i fissaggi rimanenti dalla chiodatrice.

La chiodatrice non deve mai essere lasciata incustodita poiché le persone che non hanno familiarità con la chiodatrice potrebbero maneggiarla e ferirsi.

21. Rimuovere la batteria dalla chiodatrice quando:

- 1) si caricano i chiodi;
- 2) si ruota il regolatore.

22. Scollegare la batteria.

Nel fissare e rimuovere il cappuccio di protezione della punta, scollegare la batteria.

Assicurarsi di scollegare la batteria prima di fissare e rimuovere il cappuccio di protezione della punta accessorio dall'estremità della leva di spinta. It is very dangerous for a nail to be fired by mistake.

23. L'ambiente di funzionamento di questo apparecchio è tra i 0°C e i 40°C pertanto assicurarsi di utilizzarlo entro queste temperature. L'apparecchio potrebbe non funzionare al di sotto dei 0°C o al di sopra dei 40°C.**24. Caricare la batteria ad una temperatura di 0-40°C.**

Una temperatura minore può provocare sovraccarico, il che è pericoloso. La batteria non può essere ricaricata ad una temperatura superiore ai 40°C. La temperatura ideale è compresa fra i 20-25 gradi.

25. Non usare il caricatore in continuazione.

Quando un'operazione di ricarica è terminata, prima di iniziarne una seconda, lasciare che il caricatore riposi per 15 minuti.

26. Non permettere che sostanze estranee entrino nel foro di collegamento della batteria ricaricabile.**27. Non smontare mai la batteria ricaricabile e il caricatore.**

Italiano

28. Non provocare assolutamente mai dei corto-circuiti alla batteria ricaricabile.

Il fenomeno provoca surriscaldamento e grande corrente elettrica. Può quindi causare bruciature o danni alla batteria.

29. Non gettare la batteria nel fuoco.

Può esplodere.

30. Usando una batteria scarica, il caricatore può venir danneggiato.

31. Non appena la vita della batteria dopo le operazioni di ricarica diventa troppo breve per fini pratici, si porti la batteria al negozio dove è stata acquistata.

Non la si getti mai via.

32. Non inserire nessun oggetto nelle fessure di ventilazione del caricatore.

Inserend oggetti metallici o infiammabili nelle fessure di ventilazione, si possono causare facilmente delle scosse elettriche, o si può danneggiare il caricatore.

33. Non permettere MAI che magneti (o simili dispositivi magnetici) si trovino vicino alla chiodatrice, poiché la chiodatrice dispone di un sensore magnetico all'interno.

In caso contrario si causerà un malfunzionamento o ci sarà un rischio di lesioni a causa del malfunzionamento.

34. Riposo dell'unità dopo lavoro continuo.

35. L'utensile elettrico è dotato di un circuito di protezione della temperatura per proteggere il motore. Il lavoro continuo potrebbe causare l'aumento della temperatura dell'unità, attivando così il circuito di protezione della temperatura e arrestando automaticamente il funzionamento. In tal caso, lasciare che l'utensile elettrico si raffreddi prima di riutilizzarlo.

36. Questo prodotto potrebbe smettere di funzionare quando viene rilevata un'anomalia. In tal caso, controllare le voci elencate in "RISOLUZIONE DEI PROBLEMI" a pagina 71.

37. Non sottoporre il quadro interruttori a forti urti né romperlo. Ciò potrebbe causare problemi.

38. Non utilizzare il prodotto se l'utensile o i morsetti della batteria (montaggio batteria) sono deformati. Installare la batteria potrebbe causare un corto circuito con conseguenti emissioni di fumo o accensione.

39. Conservare i terminali dell'utensile (montaggio della batteria) liberi da detriti e polvere.

○ Prima dell'uso, assicurarsi che detriti e polvere non si siano accumulati nell'area dei terminali.

○ Durante l'uso, cercare di evitare che detriti o polvere provenienti dall'utensile cadano sulla batteria.

○ Quando si interrompe il funzionamento o dopo l'uso, non lasciare l'utensile in un'area in cui potrebbe essere esposto alla caduta di detriti o polvere.

Farlo potrebbe causare un corto circuito con conseguenti emissioni di fumo o accensione.

3. Se la batteria si surriscalda in lavori di sovraccarico, l'alimentazione della batteria potrebbe arrestarsi.

In tal caso, interrompere l'uso della batteria e lasciarla raffreddare. Dopo ciò, sarà possibile riutilizzarla.

Inoltre, si prega di prestare attenzione al seguente avvertimento e cautela.

ATTENZIONE

Per prevenire qualsiasi perdita delle batterie, generazione di calore, emissione di fumi, esplosione e accensione, assicurarsi di prestare attenzione alle seguenti precauzioni.

1. Assicurarsi che la polvere e i detriti non si accumulino sulla batteria.

○ Durante la lavorazione, assicurarsi che la polvere e i detriti non si depositino sulla batteria.

○ Assicurarsi che qualsiasi polvere e detriti che si depositano sull'utensile elettrico durante la lavorazione non si accumulino sulla batteria.

○ Non conservare una batteria inutilizzata in un luogo esposto a polvere e detriti.

○ Prima di ritirare una batteria, rimuovere la polvere e i detriti che si sono depositati su di essa e non conservarla insieme a parti metalliche (viti, chiodi, ecc.).

2. Non forare la batteria con un oggetto appuntito come un chiodo, non colpire con un martello, calpestare, lanciare o sottoporre la batterie a violenti urti fisici.

3. Non usare batterie apparentemente danneggiate o deformate.

4. Non usare batterie con la polarità invertita.

5. Non collegare direttamente a prese elettriche o prese per caricabatteria da auto.

6. Non usare la batteria per uno scopo diverso da quelli specificati.

7. Se la ricarica della batteria non si completa anche quando è passato un tempo di ricarica specificato, interrompere immediatamente la ricarica.

8. Non mettere o sottoporre la batteria a temperature elevate o ad alta pressione come in un forno microonde, essiccatore o contenitore ad alta pressione.

9. Tenere immediatamente lontano dal fuoco quando si rilevano perdite o maleodore.

10. Non usare in un luogo dove viene generata forte elettricità statica.

11. Se si verifica la perdita delle batterie, maleodore, generazione di calore, scolorimento o deformazione, o se appaiono anomalie di qualsiasi natura durante l'uso, la ricarica o la conservazione, rimuoverla immediatamente dall'apparecchio o carica batteria, e interrompere l'uso.

12. Non immergere la batteria né consentire ad alcun liquido di penetrare all'interno. La penetrazione di liquidi conduttivi, per esempio acqua, può causare danni e quindi provocare incendi o esplosioni. Conservare la batteria in un luogo fresco e asciutto, lontano da materiali infiammabili e combustibili. Le atmosfere di gas corrosivi devono essere evitate.

ATTENZIONE

1. Se il liquido che fuoriesce dalla batteria entra negli occhi, non sfregare gli occhi e lavarli bene con acqua fresca e pulita come acqua di rubinetto e contattare immediatamente un medico.

Se non viene trattato, il liquido può causare problemi agli occhi.

2. Se il liquido fuoriesce sulla pelle o gli abiti, lavare bene con acqua pulita come l'acqua del rubinetto immediatamente.

C'è una possibilità che possa causare irritazione alla pelle.

3. Se si riscontrano ruggine, maleodore, surriscaldamento, scolorimento, deformazione, e/o altre irregolarità quando si utilizza la batteria per prima volta, non usarla e restituirla al fornitore o venditore.

PRECAUZIONI SULLA BATTERIA AGLI IONI DI LITIO

Per estendere la durata, la batteria agli ioni di litio è munita di una funzione di protezione per arrestarne l'uscita.

Nei casi da 1 a 3 descritti di seguito, durante l'utilizzo del prodotto, anche se state premendo l'interruttore, il motore potrebbe arrestarsi. Ciò non indica un malfunzionamento ma è il risultato della funzione di protezione.

1. Quando la rimanente alimentazione della batteria si esaurisce, il motore si arresta. In tal caso, ricaricarla immediatamente.

2. Se l'utensile è sovraccarico, il motore potrebbe arrestarsi. In tal caso, rilasciare l'interruttore dell'utensile ed eliminare le cause del sovraccarico. Dopo ciò, sarà possibile riutilizzarlo.

ATTENZIONE

Se nel terminale della batteria a ioni di litio penetrano corpi estranei conduttivi, potrebbe verificarsi un cortocircuito della batteria con conseguente incendio. Nello stoccaggio della batteria a ioni di litio, attenersi scrupolosamente alle seguenti istruzioni.

- Non inserire corpi conduttivi, chiodi e fili (ad esempio fili di ferro o rame) nel vano di stoccaggio.
- Per impedire cortocircuiti, caricare la batteria nello strumento o applicare saldamente il coperchio della batteria per lo stoccaggio fino a nascondere la ventola.

15	Indicatore della batteria
16	Interruttore di funzionamento chiodatura
17	Indicatore di alimentazione
18	Interruttore alimentazione
19	Indicatore di funzionamento chiodatura
20	Striscia di chiodi
21	Coperchio magazzino
22	Scanalatura
23	Guida lama
24	Regolatore
25	Piastra di aggancio
26	Tappo punta
27	Leva di bloccaggio
28	Piastra guida

INFORMAZIONI SUL TRASPORTO DELLA BATTERIA AGLI IONI DI LITIO

Quando si trasporta una batteria agli ioni di litio, adottare le seguenti precauzioni.

ATTENZIONE

Avvisare l'azienda di trasporti che il pacchetto contiene una batteria agli ioni di litio, informare l'azienda della sua potenza di uscita e seguire le istruzioni della società di trasporti quando si organizza il trasporto.

- Le batterie agli ioni di litio che superano la potenza di uscita di 100 Wh sono classificate come merci pericolose e necessitano di procedure speciali.
- Per il trasporto all'estero, è necessario rispettare le leggi internazionali e le norme e i regolamenti previsti nel Paese di destinazione.



SIMBOLI

ATTENZIONE



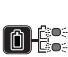




Di seguito mostriamo i simboli usati per la macchina. Assicurarsi di comprenderne il significato prima dell'uso.

	<p>NT 1865DBAL: Chiodatrice di finitura cordless NT 1865DBSL: Chiodatrice di finitura cordless NT 1850DBSL: Chiodatrice per chiodi con testa a scomparsa cordless</p>
	<p>Per ridurre il rischio di lesioni, l'utente deve leggere il manuale delle istruzioni.</p>
	<p>Solo per Paesi UE Non gettare le apparecchiature elettriche tra i rifiuti domestici! Secondo la Direttiva Europea 2012/19/UE sui rifiuti di apparecchiature elettriche ed elettroniche e la sua attuazione in conformità alle norme nazionali, le apparecchiature elettriche esauste devono essere raccolte separatamente, al fine di essere reimpiegate in modo eco-compatibile.</p>
	<p>Corrente continua</p>
	<p>Accensione</p>
	<p>Spegnimento</p>
	<p>Scollegare la batteria</p>
	<p>Interruttore alimentazione</p>
	<p>Interruttore di alimentazione spento</p>

NOMI DEI COMPONENTI (Fig. 1 – Fig. 28)

①	Coperchio superiore
②	Grilletto
③	Luce LED
④	Testina di espulsione (uscita)
⑤	Leva a pressione
⑥	Alimentatore chiodi (A)
⑦	Alimentatore chiodi (B)
⑧	Magazzino
⑨	Gancio
⑩	Batteria
⑪	Leva di blocco dell'interruttore
⑫	Maniglia
⑬	Leva di arresto
⑭	Interruttore indicatore della batteria

	Interruttore alimentazione acceso Indicatore di alimentazione: si illumina in verde
	Interruttore di funzionamento chiodatura
	MECCANISMO DI ATTUAZIONE SEQUENZIALE COMPLETA
	Modalità MECCANISMO DI ATTUAZIONE SEQUENZIALE COMPLETA Indicatore di funzionamento chiodatura: si illumina in blu
	MECCANISMO DI ATTUAZIONE A CONTATTO
	Modalità MECCANISMO DI ATTUAZIONE A CONTATTO Indicatore di funzionamento chiodatura: lampeggia in blu
	Grilletto bloccato
	Grilletto sbloccato
	Interruttore indicatore della batteria
	La carica della batteria restante è sufficiente Indicatore della batteria: 2 Luci LED (rosse)

	La carica della batteria restante è circa metà. Indicatore batteria: 1 LED (rosso) si illumina
	La carica della batteria restante è quasi vuota. Ricaricare la batteria il prima possibile. Indicatore batteria: 1 LED (rosso) lampeggia
	Contattare HiKOKI per un'ispezione. Indicatore della batteria: 2 LED lampeggiano in arancione, dopo 10 secondi, l'interruttore di accensione si spegne automaticamente.
	Lato poco profondo
	Lato profondo
	Avvertenza
	Azione non consentita

SPECIFICHE

1. Chiodatrice di finitura cordless

Modello		NT1865DBAL	NT1865DBSL	
Motore		CC senza spazzole	CC senza spazzole	
Chiodo applicabile		15 Ga (Angolo: 34°)	16 Ga	
Lunghezza chiodo applicabile		Da 32 mm a 65 mm	Da 25 mm a 65 mm	
Capacità di carico dei chiodi [chiodi]		100 (1 striscia)	100 (2 strisce)	
Modalità di espulsione		Sequenziale completa/ a contatto (selezionabile)	Sequenziale completa/ a contatto (selezionabile)	
Velocità del ciclo	[chiodi/secondo]	3 (intermittente)	3 (intermittente)	
Batteria	Modello	BSL1830C	BSL1830C	BSL1850
	Tipo	Batteria agli ioni di litio		
	Tensione	18 V CC		
Peso*		3,5 – 4,1 kg	3,4 – 4,0 kg	
Dimensioni Altezza × lunghezza × larghezza		344 mm × 300 mm × 104 mm	315 mm × 298 mm × 104 mm	315 mm × 310 mm × 104 mm

* Secondo la Procedura EPTA 01/2014

A seconda della batteria collegata. Il peso più elevato viene misurato con BSL36B18 (venduta separatamente).

2. Chiodatrice per chiodi con testa a scomparsa cordless

Modello		NT1850DBSL	
Motore		CC senza spazzole	
Chiodo applicabile		18 Ga	
Lunghezza chiodo applicabile		Da 16 mm a 50 mm	
Capacità di carico dei chiodi [chiodi]		100 (1 striscia)	
Modalità di espulsione		Sequenziale completa/a contatto (selezionabile)	
Velocità del ciclo	[chiodi/secondo]	3 (intermittente)	
Batteria	Modello	BSL1830C	BSL1850
	Tipo	Batteria agli ioni di litio	
	Tensione	18 V CC	
Peso*		3,3 – 4,0 kg	
Dimensioni Altezza × lunghezza × larghezza		323 mm × 298 mm × 104 mm	323 mm × 310 mm × 104 mm

* Secondo la Procedura EPTA 01/2014

A seconda della batteria collegata. Il peso più elevato viene misurato con BSL36B18 (venduta separatamente).

3. Caricabatteria

Modello	UC18YFSL	UC18YML2
Tensione di carica	14,4 – 18 V CC	
Peso	0,5 kg	0,7 kg

NOTA

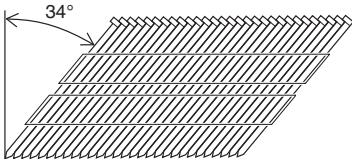
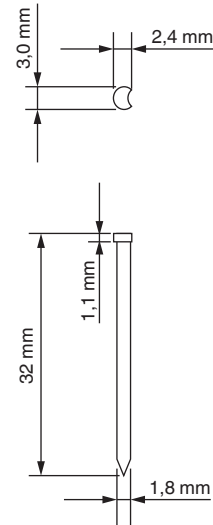

A causa del continuo programma di ricerche e sviluppo della HiKOKI, le caratteristiche riportate in questo foglio sono soggette cambiamenti senza preventiva comunicazione.

SELEZIONE CHIODO

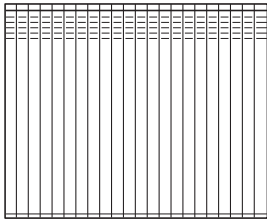
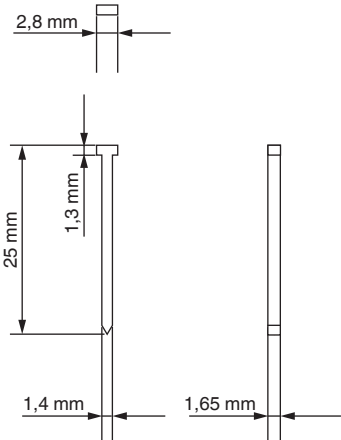

Solo i chiodi mostrati nella Tabella riportata sotto possono essere piantati con questa chiodatrice.

Dimensioni dei chiodi

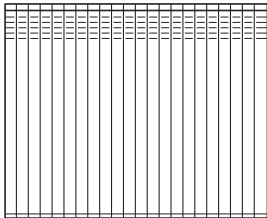
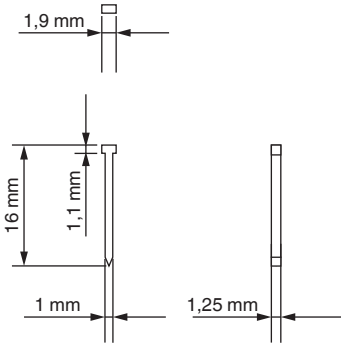

<NT1865DBAL>

	Min.	Max.
<p>Chiodi per finitura misura 15 (Angolo: 34°)</p> 		

<NT1865DBSL>

	Min.	Max.
<p>Chiodi per finitura misura 16 (diritti)</p> 		

<NT1850DBSL>

	Min.	Max.
<p>Chiodi con testa a scomparsa misura 18 (diritti)</p> 		
Esclusi i chiodi che misurano 35 mm di lunghezza		

ACCESSORI STANDARD

In aggiunta all'unità principale (1 unità), la confezione contiene gli accessori elencati a pagina 378.

Gli accessori standard possono essere cambiati senza preavviso.

APPLICAZIONI

<NT1865DBAL, NT1865DBSL>

- Chiodatura come processo di finitura per le aree intorno alle porte, alle finestre nonché alle bordature.
- Fissaggio del fondo di cassetti. Costruzione di varie custodie e armadietti.

<NT1850DBSL>

- Assemblaggio di armadietti e cornici di quadri, rifilature di mobili.
- Rifinitura e modanatura domestica sul posto e mobile.

<UC18YML2>

Indicazioni della spia			
La spia si illumina o lampeggia rosso.	Prima della carica	Lampeggia	Si illumina per 0,5 secondi. Non si illumina per 0,5 secondi. (Spento per 0,5 secondi)
	Durante la carica	Si illumina	Si illumina stabilmente
	Carica completa	Lampeggia	Si illumina per 0,5 secondi. Non si illumina per 0,5 secondi. (Spento per 0,5 secondi)
	Carica impossibile	Lampeggia	Si illumina per 0,1 secondi. Non si illumina per 0,1 secondi. (Spento per 0,1 secondi)
La spia si illumina o lampeggia di colore verde.	Standby di surriscaldamento	Si illumina	Si illumina stabilmente
	Impossibile caricare usando la presa di corrente dell'automobile	Lampeggia	Si illumina per 0,5 secondi. Non si illumina per 0,5 secondi. (Spento per 0,5 secondi)
			Malfunzionamento della batteria o del caricatore
			Batteria surriscaldata. Impossibile ricaricare (la ricarica comincerà quando la batteria si raffredda).
			L'alimentazione DC 12 V è difettosa

NOTA: Quando in standby per il raffreddamento, UC18YML2 raffredda la batteria surriscaldata usando una ventola. (Tuttavia, la ventola non funziona durante la procedura di caricamento usando la presa di corrente DC 12V dell'automobile.)

(2) Temperatura della batteria ricaricabile

Le temperature delle batterie ricaricabili sono indicate nella **Tabella 2**. Prima di ricaricare batterie che si sono surriscaldate è necessario farle raffreddare.

Tabella 2 Gamma di temperature per la ricarica delle batterie

Batterie ricaricabili	Temperature di carica per le batterie
BSL1830C, BSL1850	0°C – 50°C

(3) Tempo di carica necessario

A seconda della combinazione di caricatore e batterie, il tempo di carica è come indicato nella **Tabella 3**.

Tabella 3 Tempo di carica (a 20°C)

(Presa di corrente AC / Presa di corrente DC 12V (dell'automobile))

Batteria	Caricatore	
	UC18YFSL	UC18YML2
BSL1830C	Circa. 45 min	Circa. 45 / 120 min
BSL1850	Circa. 75 min	Circa. 75 / 200 min

NOTA

Il tempo di carica può variare a seconda della temperatura ambiente e della tensione della fonte di alimentazione.

<UC18YML2>

In modo particolare, i tempi di ricarica sono più lunghi quando si usa la presa di corrente DC 12V dell'automobile e le temperature sono elevate.

ATTENZIONE

Se il caricabatterie viene utilizzato di continuo, potrebbe surriscaldarsi provocando così malfunzionamenti. Una volta terminato il caricamento, attendere 15 minuti prima di ricaricare nuovamente.

4. Scollegare il cavo di alimentazione del caricatore dalla presa o dall'accendisigarette.

5. Tenere saldamente il caricatore e estrarre la batteria.

NOTA

Assicurarsi di estrarre la batteria dal caricatore dopo l'uso e quindi conservarla.

Scarica nel caso di batterie nuove, ecc.

Poiché la sostanza chimica interna delle batterie nuove e delle batterie che non sono state usate per un lungo periodo di tempo non è attivata, la scarica esterna può essere abbassata quando le si usa per la prima e seconda volta. Questo è un fenomeno temporaneo e il tempo normale necessario per la carica viene ripristinato ricaricando la batteria per 2 o 3 volte.

Come mantenere più lunga la durata delle batterie

(1) Ricaricare le batterie prima che si scarichino completamente.

Quando si sente che la potenza dell'attrezzo si indebolisce, interrompere l'uso e ricaricare la batteria. Se si continua l'uso e si finisce la corrente elettrica, la batteria può essere danneggiata e la sua durata abbreviarsi.

(2) Evitare di raggiungere alte temperature.

Una batteria ricaricabile si riscalda subito dopo l'uso. Se si ricarica una batteria subito dopo averla usata, la sostanza chimica interna viene deteriorata e la durata della batteria abbreviata. Consentire alla batteria di raffreddarsi per un po' e quindi ricaricarla.

ATTENZIONE

- Se la batteria viene caricata mentre è calda perché rimasta esposta a lungo in un luogo soggetto ai raggi solari diretti o perché la batteria è stata appena utilizzata, la spia pilota del caricatore si illumina per 1 secondo, non si illumina per 0,5 secondi (spenta per 0,5 secondi) (UC18YFSL) o si illumina in verde. (UC18YML2). In questo caso, prima lasciar raffreddare la batteria e poi eseguire l'operazione di carica.
- Quando la spia lampeggia velocemente in rosso (a intervalli di 0,2 secondi), controllare che non siano presenti oggetti estranei nel connettore della batteria del caricatore ed eventualmente rimuoverli. Se non sono presenti oggetti estranei, è probabile che la batteria o il caricatore non funzionino bene. Rivolgersi a un Centro di assistenza autorizzato.
- Poiché il micro computer incorporato impiega circa 3 secondi per confermare che la batteria caricata con l'UC18YFSL / UC18YML2 è stata espulsa, aspettare almeno 3 secondi prima di reinserirla per continuare il caricamento. Se la batteria viene reinserita entro 3 secondi, essa può non essere caricata in modo appropriato.
- Controllare la tensione della presa di corrente dell'automobile quando la spia pilota lampeggia in verde (a intervalli di 1 secondo). (UC18YML2)
Se la tensione è 12 V o inferiore, significa che la batteria si è indebolita e non può essere caricata.
- Se la spia non lampeggia di colore rosso (ogni secondo) anche se il caricatore è collegato alla presa di corrente o all'accendisigarette, significa che potrebbe essere attivato il circuito di protezione del caricatore.
Rimuovere il cavo dalla presa e ricollegarlo dopo circa 30 secondi. Se dopo questa operazione la spia ancora non lampeggia di colore rosso (ogni secondo), portare il caricatore presso il centro assistenza autorizzato HiKOKI.

- (2) Interruttore di alimentazione spento (Vedere Fig. 4)
Nelle condizioni di "Interruttore di alimentazione acceso", premere e tenere premuto l'interruttore di alimentazione per più di 1 secondo, quindi l'indicatore di alimentazione si spegne.
Nella condizione di "Interruttore di alimentazione acceso", le funzioni di seguito sono attive.
- (3) Selezionare la modalità di funzionamento chiodatura (Attuazione sequenziale completa/attuazione a contatto)
Dopo aver acceso l'interruttore di alimentazione, impostare sempre l'attuazione sequenziale completa come modalità iniziale. (La spia dell'indicatore di funzionamento chiodatura si illumina in blu.) (Vedere Fig. 5)
Per cambiare la modalità di funzionamento della chiodatura, premere una volta l'interruttore di funzionamento chiodatura. A ogni pressione, la modalità cambia tra "Sequenziale completa" e "A contatto". (Vedere Fig. 6)
Si illumina (blu):
MECCANISMO DI ATTUAZIONE SEQUENZIALE COMPLETA,
Lampeggia (blu):
MECCANISMO DI ATTUAZIONE A CONTATTO
- (4) Controllo del livello di carica residua della batteria
Quando si preme l'interruttore indicatore della batteria, l'indicatore della batteria indica il livello di carica residua della batteria tramite lo stato della spia LED, come indicato di seguito.

PRIMA DELL'USO

Azione	Figura	Pagina
Rimozione e inserimento della batteria	2	379
Carica	3	380
Selezione degli accessori	—	385

Indicatore di stato	
2 luci LED (rosse)	La carica della batteria restante è sufficiente.
1 LED (rosso) si illumina	La carica della batteria restante è circa metà.
1 LED (rosso) lampeggia	La carica della batteria restante è quasi vuota. Ricaricare la batteria il prima possibile.

1. Metodo di azionamento del pannello di comando

- (1) Interruttore di alimentazione acceso (Vedere Fig. 4)
Nelle condizioni di "Interruttore di alimentazione spento", premere e tenere premuto l'interruttore di alimentazione per più di 1 secondo, quindi l'indicatore di alimentazione si illumina in verde.

NOTA

Non premere la leva a pressione e/o tirare il grilletto durante il processo di attivazione dell'interruttore di alimentazione.
Farlo impedirà l'attivazione dell'interruttore di alimentazione.

[Spegnimento automatico]

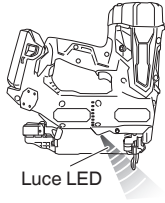

Quando l'alimentazione viene attivata ma la chiodatrice non viene utilizzata per 30 minuti, la chiodatrice si disattiva automaticamente. Per attivarla di nuovo, premere l'interruttore di alimentazione.

AVVERTENZA

Non lasciare mai la chiodatrice con l'alimentazione attivata. Ciò potrebbe provocare un incidente.

(5) Altre funzioni

In caso di errore di funzionamento, le spie LED indicano come segue.

Indicatore di stato	
 <p>La spia LED lampeggia a un intervallo.</p> <ul style="list-style-type: none"> In caso di condizione di troppo caldo, lampeggia a intervalli di 1 secondo. In caso di condizione di troppo freddo, lampeggia a intervalli di 0,5 secondi. <p>Dopo 10 secondi, la spia LED e l'interruttore di alimentazione si spengono automaticamente.</p>	<p>La macchina è in condizione di troppo freddo (sotto -5°C o di troppo caldo).</p> <p>Consentire alla chiodatrice di raffreddarsi o riscaldarsi completamente in condizioni adeguate.</p>
 <p>2 LED lampeggiano in arancione, dopo 10 secondi, l'interruttore di accensione si spegne automaticamente.</p>	<p>Contattare HiKOKI per un'ispezione.</p>

(6) Come utilizzare la luce LED (Vedere Fig. 7)

Mentre l'interruttore di alimentazione è acceso, la luce LED si accende automaticamente fino alla parte della punta dell'utensile.

ATTENZIONE


- Non esporre gli occhi direttamente alla luce osservando l'interno della luce.
- Se gli occhi vengono esposti continuamente alla luce, ne riceveranno un danno.
- Rimuovere eventuali tracce di sporco attaccate alla lente della luce LED con un panno morbido, prestando attenzione a non graffiare la lente.
- Graffi sulla lente della luce LED possono causare la diminuzione della luminosità.



2. Meccanismo di blocco grilletto (Vedere Fig. 8)

AVVERTENZA

Assicurarsi che il grilletto sia bloccato quando non si espellono chiodi.

Questa chiodatrice dispone di un meccanismo di blocco per evitare che i chiodi vengano espulsi.

Impostare la leva di blocco interruttore in posizione  per bloccare il grilletto.

Far scorrere la leva di blocco interruttore verso la posizione  quando la chiodatrice deve essere utilizzata e verso la posizione  quando non è in uso.

3. Prova della chiodatrice

AVVERTENZA

- Assicurarsi che il grilletto sia bloccato quando non si espellono chiodi. (Vedere Fig. 8)
 - Non utilizzare mai la chiodatrice quando la leva a pressione non funziona correttamente.
- NT1865DBAL e NT1865DBSL impiegano un meccanismo per evitare il funzionamento a vuoto.

NT1865DBAL e NT1865DBSL entrano in uno stato in cui la leva a pressione non può essere premuta. Questo avviene quando il magazzino non è caricato con chiodi o quando il numero rimanente di chiodi diventa inferiore a 6 o 9.

ATTENZIONE

Fare attenzione a non lanciare la punta della leva a pressione sul legno.

Prima di iniziare effettivamente il lavoro di chiodatura, provare la chiodatrice utilizzando il seguente elenco di controllo. Eseguire i test nel seguente ordine.

Se si verifica un funzionamento anomalo, interrompere l'utilizzo della chiodatrice e contattare un centro di assistenza autorizzato HiKOKI immediatamente.

(1) **RIMUOVERE TUTTI I CHIODI E LA BATTERIA DALLA CHIODATRICE.**

TUTTE LE VITI DEVONO ESSERE SERRATE.

LA LEVA A PRESSIONE E IL GRILLETTO DEVONO MUOVERSI SCORREVOLMENTE tirando indietro l'alimentatore chiodi (B). (NT1850DBSL: non richiede tirare indietro l'alimentatore chiodi)

(2) **Installazione della batteria.**

Non azionare la leva a pressione o il grilletto durante l'installazione della batteria. (Vedere Fig. 2)

(3) **Accendere l'interruttore di alimentazione. (Vedere Fig. 1)**
 Accendere l'interruttore di alimentazione premendo e tenendo premuto l'interruttore di alimentazione per più di 1 secondo.

Assicurarsi che l'indicatore di alimentazione si illumini in verde e che l'indicatore di funzionamento chiodatura si illumini in blu. (MECCANISMO DI ATTUAZIONE SEQUENZIALE COMPLETA)

NOTA

Non premere la leva a pressione e/o tirare il grilletto durante il processo di attivazione dell'interruttore di alimentazione.

Farlo impedirà l'attivazione dell'interruttore di alimentazione.

[Spegnimento automatico]

Quando l'alimentazione viene attivata ma la chiodatrice non viene utilizzata per 30 minuti, la chiodatrice si disattiva automaticamente. Per attivarla di nuovo, premere l'interruttore di alimentazione.

AVVERTENZA

Non lasciare mai la chiodatrice con l'alimentazione attivata. Ciò potrebbe provocare un incidente.

Indicatore di funzionamento chiodatura

Si illumina (blu):

MECCANISMO DI ATTUAZIONE SEQUENZIALE COMPLETA,

Lampeggia (blu):

MECCANISMO DI ATTUAZIONE A CONTATTO

Accertarsi che l'indicatore della batteria non lampeggi.

Se l'indicatore della batteria lampeggia in rosso, la batteria non dispone di sufficiente carica e deve essere ricaricata.

(4) **Rimuovere il dito dal grilletto e premere la leva a pressione contro il pezzo mentre si tira indietro l'alimentatore chiodi (B).**

LA CHIODATRICE NON DEVE FUNZIONARE.

(5) **Separare la leva a pressione dal pezzo.**

Successivamente, puntare la chiodatrice verso il basso mentre si tira indietro l'alimentatore chiodi (B), tirare il grilletto e quindi attendere in quella posizione per 5 secondi o più.

LA CHIODATRICE NON DEVE FUNZIONARE.

- (6) ① Senza toccare il grilletto, premere la leva a pressione contro il pezzo mentre si tira indietro l'alimentatore chiodi (B).
Quindi, tirare il grilletto.

LA CHIODATRICE DEVE FUNZIONARE.

- ② Tenere premuto il grilletto all'indietro e premere di nuovo la leva a pressione contro il pezzo.

LA CHIODATRICE NON DEVE FUNZIONARE.

- ③ Togliere il dito dal grilletto.
Quindi, ① viene azionato nuovamente.

LA CHIODATRICE DEVE FUNZIONARE.

- (7) Separare la leva a pressione dal pezzo, tirare il grilletto. Premere la leva a pressione contro il pezzo entro 2 secondi.

LA CHIODATRICE NON DEVE FUNZIONARE.

- (8) Impostare l'indicatore di funzionamento chiodatura in modalità accessa lampeggiante. (MECCANISMO DI ATTUAZIONE A CONTATTO)

Premere l'interruttore di funzionamento chiodatura una volta, assicurandosi che l'indicatore lampeggi in blu. Separare la leva a pressione dal pezzo, tirare il grilletto. Premere la leva a pressione contro il pezzo entro 2 secondi.

LA CHIODATRICE DEVE FUNZIONARE.

- (9) Se non si osserva un funzionamento anomalo, è possibile caricare i chiodi nella chiodatrice. Far penetrare nel pezzo chiodi dello stesso tipo di quello da utilizzare nell'applicazione reale.

LA CHIODATRICE DEVE FUNZIONARE CORRETTAMENTE.

4. Controllo del funzionamento della leva di spinta

AVVERTENZA

Assicurarsi che il grilletto sia bloccato quando non si espellono chiodi.

Prima di controllare il funzionamento della leva di spinta, accertare sempre che il grilletto sia bloccato e che la batteria sia scollegata dall'utensile elettrico.

Verificare che, quando azionata, la leva di spinta scorra agevolmente.

Se non scorre agevolmente, pulire l'area di scorrimento della leva di spinta.

5. Caricare i chiodi

AVVERTENZA

Quando si caricano i chiodi nella chiodatrice,

- 1) rimuovere la batteria dalla chiodatrice;
- 2) non tirare il grilletto;
- 3) non premere la leva a pressione; e
- 4) tenere la chiodatrice puntata verso il basso.

<NT1865DBAL, NT1865DBSL>

Alimentazione chiodi a 2 azioni!

- (1) Inserire una striscia di chiodi nel retro del magazzino. (Vedere Fig. 9)

- (2) Far scorrere la striscia di chiodi in avanti nel magazzino. (Vedere Fig. 10)

- (3) Premere l'alimentatore chiodi (A) per innestare l'alimentatore chiodi (B) sulla striscia di chiodi. (Vedere Fig. 11)

NOTA

- Spingere delicatamente l'alimentatore chiodi (A) e l'alimentatore chiodi (B) contro il chiodo.

Se l'alimentatore chiodi (A) e l'alimentatore chiodi (B) vengono rilasciati dalla parte posteriore del magazzino e vanno a urtare contro il chiodo, l'adesivo di collegamento del chiodo può essere danneggiato.

- Usare strisce di chiodi con più di 10 chiodi.
- Usare una striscia di chiodi ininterrotta con chiodi tutti della stessa lunghezza.

La chiodatrice è ora pronta per l'uso.

Rimozione dei chiodi:

- ① Estrarre l'alimentatore chiodi (B) all'indietro. (Vedere Fig. 12)

- ② Riportare l'alimentatore chiodi (B) in avanti delicatamente mentre si preme l'alimentatore chiodi (A).

- ③ Estrarre i chiodi dal retro del magazzino. (Vedere Fig. 13) <NT1850DBSL>

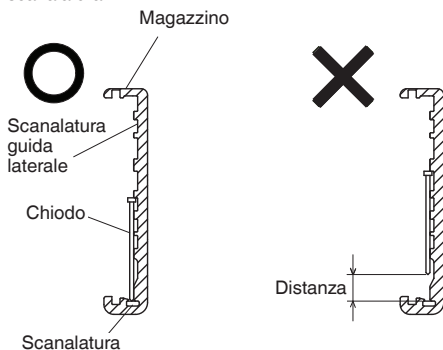
- (1) Premere leggermente la leva di arresto ed estrarre delicatamente il coperchio del magazzino. (Vedere Fig. 14)

- (2) Posizionare la striscia di chiodi nel magazzino e tenere le punte dei chiodi a contatto con la scanalatura. (Vedere Fig. 15)

NOTA

I chiodi mostrati nella pagina 62 possono essere caricati sulla scanalatura della guida laterale del magazzino senza alcuna regolazione.

Tenere sempre le punte dei chiodi a contatto con la scanalatura.



- (3) Far scorrere la striscia di chiodi nella guida lama. (Vedere Fig. 16)

- (4) Confermare che la striscia di chiodi sia posizionata con le scanalature guida laterale e la scanalatura correttamente, quindi spingere in avanti il coperchio del magazzino da chiudere.

COME UTILIZZARE LA CHIODATRICE

AVVERTENZA

- Non puntare MAI l'utensile verso se stessi o altri nell'area di lavoro.
- Tenere le dita LONTANE dal grilletto quando non si stanno piantando i chiodi per evitare espulsioni accidentali.
- Non usare il cavo elettrico se è danneggiato. Farlo riparare immediatamente.
- La scelta del metodo di attivazione è importante. Leggere e comprendere "1. Procedure di chiodatura" qui di seguito.
- Prima di avviare il lavoro, controllare il dispositivo di commutazione del funzionamento di chiodatura. Questa chiodatrice HIKOKI include un dispositivo di commutazione operazione di chiodatura. Prima di iniziare il lavoro, assicurarsi che il dispositivo di commutazione sia impostato correttamente. Se il dispositivo di commutazione non è impostato correttamente, la chiodatrice non funzionerà correttamente.

Italiano

- Non posizionare mai il volto, le mani o i piedi vicino alla testina di espulsione durante l'uso.
- Non piantare i chiodi sopra altri chiodi o con la chiodatrice a un angolo troppo inclinato; i chiodi possono rimbalzare e ferire qualcuno.
- Non piantare i chiodi in tavole sottili o in prossimità di angoli e bordi del pezzo. I chiodi possono passare attraverso il pezzo o uscirne e colpire qualcuno.
- Non piantare mai i chiodi da entrambi i lati di una parete allo stesso tempo. I chiodi potrebbero entrare nella parete e attraversarla e colpire una persona sul lato opposto.
- Non utilizzare mai la chiodatrice se è difettosa o funziona in modo anomalo.
- Non utilizzare la chiodatrice come un martello.
- Rimuovere tutti i fissaggi rimanenti e la batteria dalla chiodatrice quando:
 - 1) si eseguono la manutenzione e l'ispezione;
 - 2) si controlla il corretto funzionamento di leva a pressione e grilletto;
 - 3) si collega o rimuove il tappo della punta;
 - 4) si elimina un inceppamento;
 - 5) non è in uso;
 - 6) si lascia l'area di lavoro;
 - 7) ci si sposta in un'altra posizione; e
 - 8) la si passa a un'altra persona.
- Rimuovere la batteria dalla chiodatrice quando:
 - 1) si caricano i chiodi;
 - 2) si ruota il regolatore.

Questa chiodatrice HiKOKI è dotata di un dispositivo di commutazione dell'operazione di chiodatura.

Usare il **MECCANISMO DI ATTUAZIONE SEQUENZIALE COMPLETA** o il **MECCANISMO DI ATTUAZIONE A CONTATTO** in base al tipo di lavoro da eseguire.

Spiegazione delle varie operazioni di chiodatura

- **MECCANISMO DI ATTUAZIONE SEQUENZIALE COMPLETA:**

in primo luogo, premere la leva a pressione contro il legno; quindi, tirare il grilletto per piantare il chiodo.

Seguire la stessa sequenza per continuare a piantare i chiodi.

Al termine di una inchiodatura, non sarà possibile effettuare un'altra fino a che non si rimuove il dito dal grilletto e si solleva completamente l'utensile dalla superficie del legno.

- **MECCANISMO DI ATTUAZIONE A CONTATTO:**

L'**ATTUAZIONE A CONTATTO** può seguire due sequenze differenti, a seconda dell'uso.

Per piantare diversi chiodi:

1. Premere il grilletto.
2. Premere la leva a pressione contro il legno per piantare il chiodo.
3. Se il grilletto viene tenuto tirato indietro, un chiodo verrà piantato ogni volta che la leva a pressione è premuta contro il legno.

Per piantare un solo chiodo:

1. Premere la leva a pressione contro il legno.
2. Tirare il grilletto per piantare il chiodo.
3. Togliere il dito dal grilletto e togliere la chiodatrice dal legno.

[Meccanismo di blocco espulsione a vuoto]

NT1865DBAL e NT1865DBSL impiegano un meccanismo per evitare il funzionamento a vuoto. NT1865DBAL e NT1865DBSL entrano in uno stato in cui la leva a pressione non può essere premuta. Questo avviene quando il magazzino non è caricato con chiodi o quando il numero rimanente di chiodi diventa inferiore a 6 o 9.

ATTENZIONE

Fare attenzione a non lanciare la punta della leva a pressione sul legno quando la leva a pressione non può essere premuta in alto.

1. Procedure di chiodatura

Questa chiodatrice è dotata di una leva a pressione e non funziona se la leva non è premuta.

Ci sono due metodi di azionamento per piantare chiodi con questa chiodatrice.

Questi sono:

1. Funzionamento intermittente (attivazione a grilletto):
 2. Funzionamento continuo (attivazione con leva a pressione):
- (1) Funzionamento intermittente (attivazione a grilletto)
Utilizzare l'impostazione **MECCANISMO DI ATTUAZIONE SEQUENZIALE COMPLETA**. (Vedere **Fig. 17**)

AVVERTENZA

- Per il funzionamento intermittente, impostare l'interruttore di funzionamento chiodatura su **MECCANISMO DI ATTUAZIONE SEQUENZIALE COMPLETA** (l'indicatore di funzionamento chiodatura si illumina in blu). (cioè impostare su **MECCANISMO DI ATTUAZIONE SINGOLA**).
- Per evitare la doppia espulsione o l'espulsione accidentale a causa del rinculo.
 - 1) Impostare su **MECCANISMO DI ATTUAZIONE SEQUENZIALE COMPLETA**.
 - 2) Tirare il grilletto rapidamente e saldamente.
- ① Impostare l'interruttore di funzionamento chiodatura su **MECCANISMO DI ATTUAZIONE SEQUENZIALE COMPLETA** (l'indicatore di funzionamento chiodatura si illumina in blu).
(per impostare su **MECCANISMO DI ATTUAZIONE SEQUENZIALE COMPLETA**).

(Impostare il dispositivo di commutazione completamente sulla modalità con indicatore funzionamento chiodatura illuminato in blu come mostrato in **Fig. 17**. In caso contrario, sarà impostato su **MECCANISMO DI ATTUAZIONE A CONTATTO**).

- ② Posizionare l'uscita chiodi sul pezzo senza tenere il dito sul grilletto.
- ③ Premere la leva a pressione con fermezza finché non è completamente premuta.
- ④ Tirare il grilletto per piantare un chiodo.
- ⑤ Rimuovere il dito dal grilletto e sollevare l'utensile dalla superficie del legno completamente.

Per continuare la chiodatura in un sito diverso, spostare la chiodatrice lungo il legno, ripetendo i passaggi ② - ⑤ in base alle necessità.

NOTA

Le operazioni ③ e ④ devono essere effettuate entro 2 secondi l'una dall'altra. Se passano più di 2 secondi dopo ③, la chiodatrice non funzionerà correttamente. In questo caso, riprovare da ③.

- (2) Funzionamento continuo (attivazione con leva a pressione)

Uso del **MECCANISMO DI ATTUAZIONE A CONTATTO** (Vedere **Fig. 18**)

AVVERTENZA

Per evitare la doppia espulsione o l'espulsione accidentale a causa del rinculo.

- 1) Non premere la chiodatrice contro il legno con forza eccessiva.
 - 2) Separare la chiodatrice dal legno quando rincula dopo la chiodatura.
- ① Impostare l'interruttore di funzionamento chiodatura su **MECCANISMO DI ATTUAZIONE A CONTATTO** (l'indicatore di funzionamento chiodatura lampeggia in blu).
(per impostare su **MECCANISMO DI ATTUAZIONE A CONTATTO**).
- (Impostare il dispositivo di commutazione completamente sull'indicatore funzionamento chiodatura lampeggiante in blu come mostrato in **Fig. 18**. In caso contrario, l'unità non funzionerà correttamente.)

- ② Tirare il grilletto con la chiodatrice distante dal pezzo.
- ③ Premere la leva a pressione contro il pezzo per piantare un chiodo.
- ④ Spostare la chiodatrice lungo il pezzo con un movimento a rimbalzi.
Ciascuna pressione della leva a pressione pianta un chiodo.

Non appena il numero desiderato di chiodi è stato piantato, rimuovere il dito dal grilletto.

NOTA

Le operazioni ② e ③ devono essere effettuate entro 2 secondi l'una dall'altra. Se passano più di 2 secondi dopo ②, la chiodatrice non funzionerà correttamente. In questo caso, riprovare da ②.

AVVERTENZA

- Tenere le dita lontane dal grilletto tranne durante l'operazione di chiodatura, perché potrebbero verificarsi gravi lesioni se la leva a pressione contattata accidentalmente se stessi o altre persone nell'area di lavoro.
- Tenere le mani e il corpo lontani dall'area di scarico. Questa chiodatrice HiKOKI potrebbe rimbalzare a causa del rinculo dopo aver piantato un chiodo e un altro chiodo indesiderato potrebbe essere piantato, con la possibilità di causare lesioni.

NOTA

- Se tutte le avvertenze e le istruzioni di sicurezza vengono seguite, il funzionamento sicuro è possibile con tutti e due i sistemi: MECCANISMO DI ATTUZIONE SEQUENZIALE COMPLETA, MECCANISMO DI ATTUAZIONE A CONTATTO.
- Maneggiare sempre i chiodi e la confezione con attenzione. Se vengono fatti cadere dei chiodi, il legame tra loro potrebbe rompersi, causando errori di alimentazione e inceppamenti.
- Dopo la chiodatura:
 - 1) rimuovere la batteria dalla chiodatrice;
 - 2) togliere tutti i chiodi dalla chiodatrice;

2. Regolazione della profondità di chiodatura

Per garantire che ciascun chiodo penetri alla stessa profondità, assicurarsi che la chiodatrice sia sempre tenuta saldamente contro il pezzo.

Se i chiodi sono piantati troppo profondamente o troppo superficialmente nel pezzo, regolare la chiodatura nel seguente ordine.

- ① Rimuovere la batteria dalla chiodatrice.
- ② Se i chiodi sono piantati troppo profondamente, ruotare il regolatore sul lato superficiale. (Vedere Fig. 19)
Le regolazioni sono in incrementi di mezzo giro. Se i chiodi sono piantati troppo superficialmente, ruotare il regolatore sul lato profondo. (Vedere Fig. 20)
- ③ Smettere di ruotare il regolatore quando è stata raggiunta una posizione adatta in un test di chiodatura.
- ④ Collegare la batteria alla chiodatrice.
INDOSSARE SEMPRE OCCHIALI DI SICUREZZA.
Eseguire un test di chiodatura.
- ⑤ Rimuovere la batteria dalla chiodatrice.
- ⑥ Scegliere una posizione adatta per il regolatore.

3. Uso del gancio (Vedere Fig. 21, 22, 23)

AVVERTENZA

Quando si utilizza il gancio, spegnere l'interruttore di alimentazione (spia verde "OFF"). Prestare sufficiente attenzione in modo che l'apparecchio principale non cada. Se l'utensile cade, vi è il rischio di incidenti.

Il gancio può essere installato sul lato sinistro o su quello destro. (escluso NT1865DBAL)

- ① Rimuovere la batteria, quindi rimuovere tutti i chiodi restanti dal magazzino.
- ② Tenere saldamente l'unità principale e rimuovere la vite con un cacciavite. (Vedere Fig. 21)
- ③ Rimuovere il gancio e la piastra del gancio. (Vedere Fig. 22)
- ④ Installare il gancio sull'altro lato e fissare saldamente con la vite. (Vedere Fig. 23)

NOTA

Il gancio può essere utilizzato come appendino.

4. Uso del tappo punta (Vedere Fig. 24, 25)

AVVERTENZA

Durante il montaggio o lo smontaggio del tappo punta, assicurarsi di rimuovere il dito dal grilletto e di rimuovere tutti i fissaggi rimanenti e la batteria dalla chiodatrice.

Se si desidera proteggere la superficie del pezzo da graffi o marcature prodotte dalla leva a pressione, fissare il tappo punta accessorio sulla leva a pressione.

- ① Rimuovere tutti i fissaggi rimanenti e la batteria dalla chiodatrice.
- ② Porre il tappo punta sul dito della leva a pressione.
- ③ Il tappo punta è contrassegnato per indicare il punto di uscita del chiodo, rendendo più facile l'allineamento.
- ④ Quando non si utilizza il tappo punta, conservarlo nel vano portaoggetti situato sul lato opposto del magazzino.

NOTA

Il tappo punta potrebbe ridurre la profondità di chiodatura a causa del suo spessore. La regolazione della profondità di chiodatura è necessaria.

5. Eliminazione di un inceppamento

Se ci sono chiodi inceppati nella testina di espulsione, rimuoverli e regolare la chiodatura nel seguente ordine.

ATTENZIONE

Rimuovere la batteria dalla chiodatrice.

- ① Rimuovere la batteria dalla chiodatrice.
- ② Rimuovere tutti i chiodi.
- ③ Rilasciare la leva di blocco e aprire la piastra guida. (Vedere Fig. 26)
- ④ Rimuovere il chiodo inceppato con un cacciavite a testa piatta. (Vedere Fig. 27)

ATTENZIONE

- Non colpire MAI la lama del driver.
- Non puntare MAI l'utensile verso se stessi o un'altra persona, per evitare il rischio di lesioni da errori di espulsione.

Anche quando la batteria viene rimossa dalla chiodatrice, c'è sempre energia di aria compressa che rimane all'interno.

- ⑤ Chiudere la piastra guida e bloccare.

NOTA

In caso di inceppamento frequente, contattare un centro di assistenza autorizzato HiKOKI.

MANUTENZIONE E ISPEZIONE

ATTENZIONE

Assicurarsi di rimuovere tutti i fissaggi rimanenti e la batteria dalla chiodatrice prima della manutenzione e dell'ispezione.

1. Ispezione del magazzino

- ① Rimuovere la batteria dalla chiodatrice.
- ② Pulire il magazzino. Rimuovere la polvere e i trucioli di legno che potrebbero essersi accumulati nel magazzino.

ATTENZIONE

Controllare che l'alimentatore chiodi scorra regolarmente tirandolo con un dito.

Se il movimento non è scorrevole, i chiodi possono essere piantati a un angolo irregolare e ferire qualcuno.

2. Ispezione delle viti di montaggio

Ispezionare regolarmente le viti di montaggio e assicurarsi che siano ben fissate. Se una di queste dovesse essere allentata, riserrarla immediatamente. Si rischia in caso contrario di provocare incidenti pericolosi.

3. Manutenzione del motore

L'avvolgimento del motore è il vero e proprio "cuore" degli attrezzi elettrici. Fare attenzione a non danneggiare l'avvolgimento e/o non bagnarlo con olio o acqua.

4. Ispezione dei morsetti (utensile e batteria)

Controllare per assicurarsi che detriti e polvere non si siano accumulati sui terminali.

Di tanto in tanto controllare prima, durante e dopo il funzionamento.

ATTENZIONE

Rimuovere eventuali detriti o polvere che potrebbero essersi accumulati sui terminali.

La mancata osservanza di ciò potrebbe causare un malfunzionamento.

5. Pulizia della carcassa dell'utensile

Se l'utensile elettrico è sporco, pulirlo con un panno morbido e asciutto o con un panno inumidito con acqua insaponata. Non usare solventi cloridrici, benzina o diluenti per benzina, in quanto potrebbero deformare la plastica.

6. Conservazione

Conservare l'utensile elettrico in un luogo dove la temperatura sia inferiore a 40°C e lontano dalla portata dei bambini.

NOTA

Conservazione delle batterie agli ioni di litio.

Prima di riporre le batterie agli ioni di litio, assicurarsi di averle caricate completamente.

Riporre le batterie per periodi prolungati (3 mesi o più) con un basso livello di carica potrebbe provocare il deterioramento delle prestazioni o la significativa riduzione del tempo di utilizzo delle batterie, o potrebbe rendere le batterie incapaci di mantenere la carica.

Tuttavia, la significativa riduzione del tempo di utilizzo delle batterie può essere risolta caricando e utilizzando le batterie ripetutamente da due a cinque volte.

Se il tempo di utilizzo delle batterie rimane estremamente ridotto nonostante le ricariche ripetute, considerare le batterie inutilizzabili e acquistarne di nuove.

ATTENZIONE

Nell'uso e nella manutenzione degli utensili elettrici devono essere osservate le normative di sicurezza e i criteri prescritti in ciascun paese.

Avviso importante sulle batterie per gli utensili elettrici a batteria HiKOKI

Utilizzare sempre una delle nostre batterie originali. Non possiamo garantire la sicurezza e le prestazioni dell'utensile elettrico a batteria quando esso viene utilizzato con batterie diverse da quelle da noi designate, o quando la batteria viene smontata e modificata (per esempio lo smontaggio e la sostituzione di pile o altre parti interne).

GARANZIA

Garantiamo gli Utensili Elettrici HiKOKI in conformità alle specifiche normative imposte dalla legge e dai paesi. Questa garanzia non copre difetti o danni dovuti a uso erraneo, abuso o normale usura. In caso di lamentele, si prega di inviare l'Utensile Elettrico, non smontato, insieme al CERTIFICATO DI GARANZIA che si trova al termine di queste Istruzioni per l'uso, ad un Centro di Assistenza Autorizzato HiKOKI.

Informazioni sul rumore

Le caratteristiche del rumore sono valutate in accordo con EN 60745:

Livello di potenza acustica per singolo colpo (tipo A)

L_{WA} , 1s, d = 92 dB

Livello di pressione acustica per singolo colpo (tipo A) alla stazione di lavoro

L_{pA} , 1s, d = 81 dB

Incertezza KpA: 3 dB

Questi valori rappresentano i valori caratteristici dell'utensile e non il rumore che si sviluppa durante l'utilizzo. Il rumore che si sviluppa durante l'uso dipende ad esempio dall'ambiente di lavoro, dal supporto e dal numero di operazioni.

Dipendono dalle condizioni dell'ambiente di lavoro e dai pezzi da lavorare, le misure individuali di attenuazione del rumore che potrebbe essere necessario eseguire, come disporre i pezzi da lavorare su dei supporti scaricavibrazioni, in modo da prevenire le vibrazioni del pezzo tramite un fissaggio o una copertura, ecc.

In casi speciali è necessario indossare l'equipaggiamento di protezione per l'udito.

Informazioni sulle vibrazioni

I tipi di vibrazioni caratteristiche sono valutate in accordo con il EN 60745: 2,6 m/s²

Incertezza K = 1,5 m/s²

Questi valori rappresentano i valori caratteristici dell'utensile e non considerano l'influenza del sistema mani-braccia durante l'uso. L'influenza del sistema mani-braccia durante l'utilizzo, dipende per esempio dalla forza con cui afferrate l'utensile, dalla pressione che applicate, dalla direzione del lavoro, dalla regolazione dell'energia applicata, dal pezzo da lavorare e dal supporto utilizzato.

Il valore totale di emissione vibrazioni dichiarato è stato misurato in base al metodo di test standard e può essere utilizzato per confrontare un utensile con un altro.

Può essere inoltre utilizzato per la stima preliminare dell'esposizione.

ATTENZIONE

○ Il valore di emissione vibrazioni durante l'uso effettivo dell'utensile può essere diverso dal valore totale dichiarato in base alle modalità di utilizzo dell'utensile stesso.

○ Identificare le misure di sicurezza per la protezione dell'operatore basate su stima dell'esposizione nelle effettive condizioni di utilizzo (prendendo in considerazione tutte le parti del ciclo di funzionamento come i tempi in cui l'utensile resta spento e quando funziona senza essere utilizzato in aggiunta al tempo di avvio).

NOTA

A causa del continuo programma di ricerche e sviluppo della HiKOKI, le caratteristiche riportate in questo foglio sono soggette cambiamenti senza preventiva comunicazione.

Tabella di manutenzione

AZIONE	PERCHÉ	COME
Pulire il magazzino e il meccanismo di alimentazione.	Evitare un inceppamento.	Pulire giornalmente a soffio.
Mantenere il funzionamento corretto della leva a pressione.	Promuovere la sicurezza dell'operatore e un funzionamento efficiente della chiodatrice.	Pulire giornalmente a soffio.

RISOLUZIONE DEI PROBLEMI

Utilizzare i controlli nella tabella sottostante se l'utensile non funziona normalmente. Se ciò non risolve il problema, rivolgersi al proprio rivenditore o a un centro di assistenza autorizzato HiKOKI.

PROBLEMA	METODO DI CONTROLLO	CORREZIONE
L'interruttore di alimentazione non si accende. Si attiva una volta, ma si spegne automaticamente.	Carica della batteria bassa.	Caricare la batteria.
	Componenti elettronici interni danneggiati.	Contattare HiKOKI per la sostituzione.
	La leva a pressione e/o il grilletto sono in stato acceso?	Tenere la leva a pressione e il grilletto in stato di spegnimento.
	Non è stata eseguita alcuna operazione per oltre 30 minuti? (Funzione di spegnimento automatico)	Premere e tenere premuto l'interruttore di alimentazione per più di 1 secondo per passare a "ON"
La chiodatrice non funziona (Interruttore alimentazione acceso).	La chiodatrice non è sufficientemente premuta contro il pezzo.	Premere e tenere premuta saldamente la chiodatrice sul pezzo in modo completo.
	Grilletto insufficientemente tirato.	Tirare il grilletto saldamente.
	Più di 2 secondi sono passati dalla leva a pressione attivata al grilletto attivato (o dal grilletto attivato alla leva a pressione attivata).	Assicurarsi che passino meno di 2 secondi tra la leva a pressione attivata e il grilletto attivato (o tra il grilletto attivato e la leva a pressione attivata).
	Meccanismo di prevenzione attivato. (Non ci sono chiodi o fissaggi rimanenti o sono troppo pochi) (escluso NT1850DBSL)	Ricaricare i chiodi nel magazzino.
	La leva di blocco interruttore (funzione blocco grilletto) è in posizione "ON".	Impostare la leva di blocco interruttore in posizione "OFF". (Fare riferimento a Fig. 8)
	La macchina è troppo fredda (sotto -5°C) o troppo calda. (La luce LED lampeggia a intervalli regolari e l'interruttore di alimentazione si spegne dopo 10 secondi.) (Fare riferimento a pagina 66)	Consentire alla chiodatrice di raffreddarsi o riscaldarsi completamente in condizioni adeguate.
	Componenti elettronici interni danneggiati.	Contattare HiKOKI per la sostituzione.
La chiodatrice funziona, ma nessun chiodo viene piantato.	Il magazzino è sporco.	Pulire a soffio e strofinare il magazzino.
	Controllare se si è verificato un inceppamento.	Eliminare l'inceppamento (fare riferimento a Fig. 26, 27).
	La lama del driver è usurata o danneggiata?	Contattare HiKOKI per la sostituzione.
	La molla del nastro è indebolita o danneggiata?	Sostituire la molla del nastro.
	Alimentatore chiodi danneggiato?	Sostituire l'alimentatore chiodi.
	Verificare la presenza di chiodi corretti.	Utilizzare solo i chiodi consigliati.
Chiodatura debole. Ciclo lento.	Controllare la posizione del regolatore della profondità di chiodatura.	Regolare nuovamente secondo la Fig. 19, 20 .
	La lama del driver è usurata?	Contattare HiKOKI per la sostituzione.
	La pressione aria compressa è diventata bassa.	Contattare HiKOKI per la sostituzione.
	Componenti elettronici interni danneggiati.	Contattare HiKOKI per la sostituzione.

Italiano

PROBLEMA	METODO DI CONTROLLO	CORREZIONE
Pianta i chiodi troppo in profondità.	Controllare la posizione del regolatore della profondità di chiodatura.	Regolare nuovamente secondo la Fig. 19, 20 .
Salta i chiodi. Alimentazione intermittente.	Verificare la presenza di chiodi corretti.	Utilizzare solo i chiodi consigliati.
	Alimentatore chiodi danneggiato?	Sostituire l'alimentatore chiodi.
	La molla del nastro è indebolita o danneggiata?	Sostituire la molla del nastro.
	La lama del driver è usurata o danneggiata?	Contattare HiKOKI per la sostituzione.
I chiodi si inceppano. Il chiodo piantato è piegato.	Verificare la presenza di chiodi corretti.	Utilizzare solo i chiodi consigliati.
	La lama del driver è usurata o danneggiata?	Contattare HiKOKI per la sostituzione.

Gebruik van een aardlekschakelaar vermindert de kans op een elektrische schok.

ALGEMENE VEILIGHEIDSWAARSCHUWINGEN VOOR ELEKTRISCH GEREEDSCHAP

⚠ WAARSCHUWING

Lees alle waarschuwingen en instructies aandachtig door.

Nalating om de waarschuwingen en instructies op te volgen kan in een elektrische schok, brand en/of ernstig letsel resulteren.

Bewaar alle waarschuwingen en aanwijzingen voor eventuele naslag in de toekomst.

De term „elektrisch gereedschap” heeft zowel betrekking op elektrisch gereedschap dat via de netvoeding van stroom wordt voorzien als gereedschap dat via een accu (snoerloos) van stroom wordt voorzien.

1) Veiligheid van de werkplek

- Zorg voor een schone en goed verlichte werkplek.**
Een rommelige of donkere werkplek verhoogt de kans op ongelukken.
- Gebruik het elektrisch gereedschap niet in een omgeving met ontvlambare of explosieve vloeistoffen, gassen of stof.**
Elektrisch gereedschap kan vonken afgeven. Deze vonkjes kunnen stofdeeltjes of gassen doen ontbranden.
- Houd kinderen en andere omstanders tijdens het gebruik van elektrisch gereedschap uit de buurt.**
Afleidingen kunnen gevaarlijk zijn.

2) Elektrische veiligheid

- De stekker van het elektrisch gereedschap moet geschikt zijn voor aansluiting op het stopcontact.**
De stekker mag op geen enkele manier gemodificeerd worden.
Gebruik geen verloopstekker met geaard elektrisch gereedschap.
Deugdelijke stekkers en geschikte stopcontacten verminderen het risico op een elektrische schok.
- Vermijd lichamelijk contact met geaarde oppervlakken zoals leidingen, radiatoren, fornuizen en koelkasten.**
Wanneer uw lichaam geaard is, loopt u een groter risico op een elektrische schok.
- Stel het elektrisch gereedschap niet bloot aan regen of vochtige omstandigheden.**
Het risico op een elektrische schok wordt vergroot wanneer er water in het elektrische gereedschap terecht komt.
- Behandel het snoer voorzichtig. Gebruik het snoer niet om het elektrisch gereedschap aan te dragen of mee te slepen en gebruik het snoer niet om de stekker uit het stopcontact te trekken.**
Houd het snoer uit de buurt van warmtebronnen, olie, scherpe randen of bewegende onderdelen.
Een beschadigd of verward snoer verhoogt het risico op een elektrische schok.
- Gebruik buitenshuis een verlengsnoer dat specifiek geschikt is voor het gebruik buiten.**
Het gebruik van een snoer dat specifiek geschikt is voor gebruik buitenshuis vermindert het risico op een elektrische schok.
- Als het elektrisch gereedschap in een vochtige omgeving gebruikt moet worden, dient een voeding met aardlekschakelaar te worden gebruikt.**

3) Persoonlijke veiligheid

- Blijf waakzaam, let voortdurend op uw werk en gebruik uw gezond verstand wanneer u elektrisch gereedschap gebruikt.**
Gebruik geen elektrisch gereedschap wanneer u moe bent of onder invloed van drugs, alcohol of medicijnen.
Eén moment van onoplettendheid kan in ernstig lichamelijk letsel resulteren.
- Gebruik persoonlijke beschermingsmiddelen. Draag altijd oogbescherming.**
Beschermingsmiddelen zoals stofmaskers, anti-slip veiligheidsschoenen, een helm of gehoorbescherming vermindert het risico op lichamelijk letsel.
- Voorkom dat het gereedschap per ongeluk kan starten. Controleer of de schakelaar in de uitstand staat voordat u de voeding en/of de accu aansluit, het gereedschap oppakt of gaat dragen.**
Zorg ervoor dat u tijdens het verplaatsen van het elektrisch gereedschap uw vingers uit de buurt van de schakelaar houdt en sluit de stroombron niet aan terwijl de schakelaar op aan staat om ongelukken te vermijden.
- Verwijder sleutels en moersleutels uit het gereedschap voordat u het elektrisch gereedschap aanzet.**
Een (moer-)sleutel die op een bewegend onderdeel van het elektrisch gereedschap bevestigd is kan in lichamelijk letsel resulteren.
- Reik niet te ver. Zorg ervoor dat u te allen tijde stevig staat en uw evenwicht behoudt.**
Op deze manier heeft u tijdens een onverwachte situatie meer controle over het elektrisch gereedschap.
- Draag geschikte kleding. Draag geen loszittende kleding of sieraden. Houd uw haar, kleding en handschoenen uit de buurt van bewegende onderdelen.**
Loszittende kleding, sieraden en lang haar kunnen in de bewegende onderdelen verstrikt raken.
- Indien het elektrisch gereedschap van een aansluiting voor stofafzuiging is voorzien, dan dient u ervoor te zorgen dat de stofafzuiging aangesloten en op de juiste manier gebruikt wordt.**
Het gebruik van stofafzuiging vermindert eventuele stofgerelateerde risico's.

4) Bediening en onderhoud van elektrisch gereedschap

- Het elektrisch gereedschap mag niet geforceerd worden. Gebruik het juiste gereedschap voor het karwei.**
U kunt de klus beter en veiliger uitvoeren wanneer u het juiste elektrische gereedschap gebruikt.
- Gebruik het elektrisch gereedschap niet als de schakelaar niet goed werkt.**
Elektrisch gereedschap dat niet via de schakelaar bediend kan worden is gevaarlijk en moet onmiddellijk gerepareerd worden.
- Haal de stekker uit het stopcontact en/of de accu van het elektrisch gereedschap voor u afstellingen verricht, accessoires verwisselt of voordat u het elektrisch gereedschap opbergt.**
Dergelijke preventieve veiligheidsmaatregelen verminderen het risico dat het elektrisch gereedschap per ongeluk opstart.

- d) **Berg elektrisch gereedschap buiten het bereik van kinderen op en sta niet toe dat personen die niet bekend zijn met het juiste gebruik van het gereedschap of deze voorschriften dit elektrisch gereedschap gebruiken.**
Elektrisch gereedschap is gevaarlijk in onbevoegde handen.
- e) **Het elektrisch gereedschap moet regelmatig onderhouden worden. Controleer het gereedschap op een foutieve uittijning, vastgelopen of defecte bewegende onderdelen en andere problemen die van invloed zijn op de juiste werking van het gereedschap. Indien het gereedschap defect of beschadigd is moet het gerepareerd worden voordat u het gereedschap opnieuw gebruikt.**
Slecht onderhouden elektrisch gereedschap is verantwoordelijk voor een groot aantal doe-het-zelf ongelukken.
- f) **Houd snijwerktuigen scherp en schoon.**
Goed onderhouden snijwerktuigen met scherpe snijranden lopen minder snel vast en zijn gemakkelijker in het gebruik.
- g) **Elektrisch gereedschap, toebehoren, bits enz. moeten in overeenstemming met deze instructies worden gebruikt, waarbij de werkomstandigheden en het werk dat gedaan moet worden in overweging moeten worden genomen.**
Gebruik van het elektrisch gereedschap voor andere doeleinden dan waarvoor het is bedoeld, kan resulteren in een gevaarlijke situatie.
- 5) **Gebruik en onderhoud van de accu**

- a) **Herlaad alleen met de lader die door de fabrikant wordt gespecificeerd.**
Een lader die geschikt is voor één bepaald type accu kan brandgevaar veroorzaken bij gebruik met een andere accu.
- b) **Gebruik elektrisch gereedschap alleen met de specifiek daarvoor bestemde accu's.**
Het gebruik van andere accu's kan letsel of brand veroorzaken.
- c) **Wanneer de accu niet in gebruik is, moet u deze uit de buurt houden van andere metalen voorwerpen zoals paperclips, munten, sleutels, spijkers, schroeven of andere kleine metalen voorwerpen die de contacten zouden kortsluiten.**
Kortsluiten van de accucontacten kan brandwonden of brand veroorzaken.
- d) **Bij een verkeerd gebruik kan er vloeistof uit de accu lekken; vermijd elk contact daarmee. Als u dit onverhoopt toch aanraakt, doet u goed met water spoelen. Indien de vloeistof in contact komt met de ogen, moet u ook onmiddellijk medische hulp inroepen.**
Vloeistof die uit de accu lekt kan irritatie en brandwonden veroorzaken.

6) Onderhoud

- a) **Het gereedschap mag uitsluitend door bevoegd onderhoudspersoneel worden onderhouden en er mag daarbij uitsluitend gebruik gemaakt worden van identieke vervangingsonderdelen.**
Hierdoor kunt u er op rekenen dat het elektrisch gereedschap veilig blijft.

VOORZORGSMATREGELEN

Houd kinderen en kwetsbare personen op een afstand. Het gereedschap moet na gebruik buiten het bereik van kinderen en andere kwetsbare personen worden opgeborgen.

DRAADLOOS PNEUMATISCH SPIJKERPISTOOL/ BRAD SPIJKERPISTOOL VEILIGHEIDSWAARSCHUWINGEN

- Ga er altijd van uit dat het gereedschap geladen is.**
Onvoorzichtigheid bij werkzaamheden met het spijkerpistool kunnen resulteren in het onverwacht afschieten van bevestigingsmiddelen en persoonlijk letsel veroorzaken.
- Richt het gereedschap niet naar uzelf of naar een andere persoon in de buurt.**
Wanneer het gereedschap per ongeluk wordt bediend, kan dit letsel veroorzaken.
- Activeer het gereedschap niet tenzij dit stevig tegen het werkstuk is geplaatst.**
Als het gereedschap niet in contact is met het werkstuk, kan de niet de verkeerde kant op worden geschoten.
- Koppel het gereedschap los van de voeding wanneer een spijker vastloopt in het gereedschap.**
Tijdens het verwijderen van een vastgelopen bevestigingsmiddel, kan het spijkerpistool per ongeluk worden ingeschakeld als het is aangesloten.
- Ga voorzichtig te werk bij het verwijderen van een vastgelopen niet.**
Het mechanisme kan nog onder druk staan en de niet zou met kracht afgeschoten kunnen worden wanneer u deze uit de vastgelopen positie probeert te verwijderen.
- Gebruik dit spijkerpistool niet voor het bevestigen van elektrische kabels.**
Het nietapparaat is niet ontworpen voor de montage van elektrische kabels en kan de isolatie van de kabels beschadigen met een elektrische schok of brand tot gevolg.

AANVULLENDE VEILIGHEIDSWAARSCHUWINGEN

- Veiligheid door correct gebruik.**
Dit pneumatisch gereedschap is ontworpen om spijkers in hout en vergelijkbare materialen te drijven. Gebruik het apparaat alleen voor dit doel.
- Wees beducht voor ontsteking- en ontploffingsgevaar.**
Omdat tijdens het spijkeren vonken geslagen kunnen worden, is het gevaarlijk om dit pneumatisch gereedschap te gebruiken in de buurt van lak, verf, benzine, thinner, gasolie, gas, lijmsoorten, en vergelijkbaar ontvlambare materialen die door de vonken zouden kunnen ontvlammen of exploderen. Onder geen enkele voorwaarde mag dit pneumatisch gereedschap daarom gebruikt worden in de nabijheid van dergelijke ontvlambare materialen.
- Draag altijd uw oogbescherming (veiligheidsbril).**



Draag altijd uw oogbescherming wanneer u met dit pneumatisch gereedschap werkt, en zorg ervoor dat de mensen in uw omgeving hetzelfde doen. De mogelijkheid dat rondvliegende spijkers die niet goed geraakt werden in uw oog terechtkomen is een bedreiging voor uw gezichtsvermogen. Oogbescherming is verkrijgbaar in elke gereedschapswinkel. Draag altijd een vorm van oogbescherming wanneer u met dit apparaat werkt. Er zijn speciale maskers of veiligheidsbrillen die over uw bril passen. Werkgevers behoren er op toe te zien dat oogbescherming gedragen wordt op de werkplek.

4. Bescherm uw hoofd en uw oren.

Draagt u alstublieft een helm en oorbeschermers als u spijkerwerk doet. Let u er ook op dat de mensen rondom u, afhankelijk van de omstandigheden, hun helmen en oorbeschermers dragen.

5. Let op de mensen die dicht bij u werken.

Het zou bijzonder gevaarlijk kunnen zijn als spijkers die niet goed ingeslagen zijn anderen zouden kunnen raken. Let daarom ook altijd op de veiligheid van de mensen rondom u wanneer u met dit pneumatisch gereedschap werkt. Let er altijd op dat er niet iemands lichaam, hand of voet dichtbij de spijker-uitgang is.

6. Richt het spijkerapparaat nooit op iemand.



Ga er altijd van uit dat het apparaat geladen is.

Indien het apparaat op personen wordt gericht kunnen ernstige ongelukken worden veroorzaakt, bijvoorbeeld wanneer u per ongeluk het apparaat aanzet. Bij het aansluiten en loskoppelen van de accu, tijdens het laden van spijkers of soortgelijke handelingen, zorg ervoor dat de spijkeruitgang niet naar iemand gericht is (inclusief uzelf). Zelfs wanneer er geen spijkers in het apparaat zitten is het gevaarlijk om het apparaat af te doen gaan terwijl het in de richting van een persoon wijst; probeer dat dus niet. Geen geintjes. Heb respect en ontzag voor het gereedschap waar u mee werkt.

7. Controleer de hendel vóór gebruik.

Zorg ervoor dat de hendel goed functioneert. (De hendel kan „Veiligheid” worden genoemd.) Gebruik het spijkerpistool nooit tenzij de hendel goed functioneert, anders kan het spijkerpistool onverwachts een bevestigingsmiddel vernagelen. Verwijder of knoei niet met de hendel, anders wordt de hendel onbruikbaar.

8. Keuze van activatiemethode is belangrijk.

Lees en begrijp onderstaande paragraaf „HET GEBRUIK VAN HET SPIJKERPISTOOL” op pagina 86.

9. Voordat u dit product gebruikt, dient u ervoor te zorgen dat het goed werkt volgens de inhoud van „Het testen van het spijkerpistool” op pagina 84.

10. Gebruik alleen de voorgeschreven spijkers.

Gebruik nooit andere spijkers dan de in deze handleiding beschreven en gespecificeerde.

11. Wees voorzichtig bij het aansluiten van de batterij.

Let op de volgende punten om te voorkomen dat het apparaat per ongeluk afgaat wanneer u de batterij bevestigt en spijkers laadt.

- Raak de trekker niet aan.
- Laat de kop van het apparaat niet in contact komen met enig oppervlak.
- Houd de kop van het apparaat naar beneden gericht. Volg bovenstaande instructies zorgvuldig op en let er altijd op dat er zich geen lichaamsdelen, handen of benen voor de spijker-uitgang bevinden.

12. Houd niet achteloos uw vinger aan de trekker.

Breng uw vinger alleen aan de trekker wanneer u inderdaad gaat spijkeren. Als u dit pneumatisch gereedschap draagt, of u geeft het aan iemand anders met uw vinger aan de trekker, kunt u per ongeluk een spijker afschieten en een ongeval veroorzaken.

13. Druk de spijker-uitgang stevig tegen het te spijkeren materiaal.

Druk de spijker-uitgang stevig tegen het te spijkeren materiaal wanneer u gaat spijkeren. De spijkers kunnen terugkaatsen als u de spijker-uitgang niet goed houdt.

14. Houd handen en voeten weg van de kop van het apparaat wanneer er gespijkerd wordt.



Het kan ernstige gevolgen hebben wanneer een spijker per ongeluk een hand of voet raakt.

15. Wees bedacht op de terugslag van het pneumatisch gereedschap.

Breng uw hoofd of andere lichaamsdelen niet dicht bij de bovenkant van het apparaat terwijl het in werking is. Dit is gevaarlijk omdat het apparaat een krachtige terugslag kan geven als bijvoorbeeld de spijker die wordt ingedreven een oude spijker of een knoest in het hout raakt.

16. Wees voorzichtig met dubbel afschieten door terugslag.

Als de hendel per ongeluk opnieuw in contact komt met het werkstuk na terugslag, wordt een ongewenste bevestiging vernageld.

- Om dit ongewenste dubbel afschieten te voorkomen,
 - Intermitterende bediening (trekker afvuren)
 - 1) Stel het schakelbedieningsapparaat in op VOLLEDIG OPEENVOLGENDE BEDIENINGSMECHANISME.
 - 2) Haal de trekker snel en stevig over.
 - Continue bediening (Hendel afvuren)
 - 1) Druk het spijkerpistool niet met overdreven kracht tegen het hout.
 - 2) Scheid het nagelpistool van het hout bij terugslag na het bevestigen.

17. Wees voorzichtig wanneer u dun plaatmateriaal of de hoeken van een stuk hout gaat spijkeren.

Wanneer u dun plaatmateriaal spijkt, kunnen de spijkers er dwars doorheen vliegen, wat ook kan gebeuren als u de hoek van een stuk hout spijkt en de spijker afketst. In dergelijke gevallen dient u ervoor te zorgen dat er zich niemand (en ook geen handen, voeten e.d.) achter het dunne plaatmateriaal of naast het hout dat u wilt spijkeren bevindt.

18. Tegelijkertijd spijkeren aan beide zijden van een wand is gevaarlijk.

Onder geen enkele voorwaarde mag u aan beide zijden van een wand samen met iemand anders staan te spijkeren. Dit kan bijzonder gevaarlijk zijn daar de spijkers door de wand kunnen dringen en zo verwondingen kunnen veroorzaken.

19. Gebruik het gereedschap niet op stellingen, ladders.

Het gereedschap mag niet worden gebruikt in bijvoorbeeld de volgende gevallen:

- wanneer u van de ene spijkerplaats naar de andere moet via een steiger, trap, ladder of via dergelijke constructies, bijv. lattenwerk,
- dichtmaken van dozen of kratten,
- vastzetten van veiligheidssystemen voor het vervoer enz. op voertuigen en wagons

20. Verwijder alle resterende bevestigingen en de accu uit het spijkerpistool wanneer:

- 1) u bezig bent met inspectie en onderhoud;
- 2) u controleert op goede werking van hendel en trekker;
- 3) u de dop bevestigt of verwijdert;
- 4) verhelpen van een verstopping;
- 5) het apparaat niet in gebruik is;
- 6) u uw werkgebied verlaat;
- 7) u het naar een andere locatie verplaatst; en
- 8) u het aan een ander geeft.

Probeer het apparaat nooit te repareren of een storing te verhelpen als u de accu en de resterende bevestigingen niet hebt verwijderd van het spijkerpistool.

Het spijkerpistool mag nooit zonder toezicht worden achtergelaten aangezien mensen die niet bekend zijn met het apparaat, het misschien gebruiken en zichzelf kunnen verwonden.

21. Verwijder de accu uit het spijkerpistool wanneer:

- 1) u spijkers laadt;
- 2) u aan de stelschroef draait.

Nederlands

22. Koppel de accu los.

Koppel de accu los voordat de neuskap wordt bevestigd of losgemaakt.

Bij het bevestigen van de bijgeleverde neuskap aan de punt van de veiligheidshendel en bij het losmaken ervan, moet u ervoor zorgen dat eerst de accu wordt losgekoppeld. Het is levensgevaarlijk wanneer er per ongeluk een spijker afgeschoten zou worden.

23. Dit apparaat dient te worden gebruikt in een omgeving met een temperatuur tussen de 0°C en 40°C. Het apparaat raakt mogelijk defect bij gebruik onder 0°C of boven 40°C.

24. Laad de batterij bij een temperatuur van 0–40°C.

Een temperatuur van onder 0°C kan overlading veroorzaken, hetgeen gevaarlijk kan zijn. De batterij kan niet bij een temperatuur van boven de 40°C geladen worden.

De meest geschikte temperatuur is tussen de 20–25°C.

25. Gebruik de oplader niet kontinuu.

Wacht ongeveer 15 minuten voordat met het laden van een andere batterij begonnen wordt.

26. Voorkom dat stof of vuil in de aansluitopening van de batterij terecht komt.

27. Demonteer de oplaadbare batterij of oplader niet.

28. Voorkom kortsluiting van de oplaadbare batterij.

Kortsluiting kan resulteren in oververhitting.

Dit kan schade of brandgevaar opleveren.

29. Gooi de batterij niet in het vuur.

Een brandende batterij kan ontploffen.

30. Het gebruik van een uitgeputte batterij zal de oplader beschadigen.

31. Breng de batterij naar de dealer waar deze gekocht werd, nadat deze na oplading onvoldoende kracht heeft voor praktisch gebruik.

Gooi een uitgewerkte batterij niet weg.

32. Steek nooit een voorwerp in de ventilatie-openingen van de oplader.

Als een voorwerp of ontvlambaar materiaal in de ventilatie-openingen van de oplader wordt gestoken, kan dit resulteren in een elektrische schok of beschadiging aan de oplader.

33. Laat NOOIT magneten (of soortgelijke magnetische apparaten) in de buurt van het spijkerpistool, want het apparaat heeft een magnetische sensor.

Als u dit wel doet, zal dit leiden tot een storing of risico op letsel door verkeerd gebruik.

34. De machine laten rusten na continu werk.

35. Het elektrisch gereedschap is uitgerust met een temperatuurbeveiligingscircuit om de motor te beschermen. Ononderbroken werk kan de temperatuur van de machine doen stijgen, waardoor het temperatuurbeveiligingscircuit wordt geactiveerd en de bediening automatisch wordt gestopt. Indien dit gebeurt, laat u het elektrisch gereedschap afkoelen voordat u het opnieuw gebruikt.

36. Dit product kan stoppen met werken als er een storing is gedetecteerd. In dergelijke gevallen, controleer dan de items onder „PROBLEEMOPLOSSING” op pagina 90.

37. Stel het bedieningspaneel niet bloot aan schokken en breek het niet. Dit kan leiden tot een storing.

38. Gebruik het product niet als het gereedschap of de accupolen (batterijhouder) vervormd zijn.

Het installeren van de accu kan kortsluiting veroorzaken, wat kan leiden tot rookontwikkeling of ontbranding.

39. Houd de accupolen van het gereedschap (accuhouder) vrij van spaanders en stof.

○ Controleer vóór gebruik of er geen spaanders en stof zijn opgehoopt in het gebied van de aansluitingen.

○ Probeer te voorkomen dat spaanders of stof van het gereedschap op de accu terechtkomen tijdens het gebruik.

○ Wanneer het gebruik wordt onderbroken of na gebruik, moet u het gereedschap niet op een plaats achterlaten waar het kan worden blootgesteld aan vallende spaanders of stof.

Als u dat doet kan er kortsluiting ontstaan, wat kan leiden tot rookontwikkeling of ontbranding.

OPMERKINGEN BIJ GEBRUIK LITHIUM-ION BATTERIJ

De lithium-ion accu is voorzien van een beschermingsfunctie die volledige ontlading van de accu voorkomt waardoor de levensduur wordt verlengd.

In geval 1 t/m 3 hieronder kan de motor tijdens het gebruik van het product tot stilstand komen, zelfs wanneer u de schakelaar ingedrukt houdt. Dit geeft geen probleem met het product aan maar wordt veroorzaakt door de beschermingsfunctie.

1. De motor komt tot stilstand wanneer de accu leeg is. De accu moet in dit geval onmiddellijk opgeladen worden.
2. De motor kan tot stilstand komen wanneer het gereedschap overbelast wordt. Laat de schakelaar in dit geval onmiddellijk los en verhelp de oorzaak van de overbelasting. Wanneer u het probleem verholpen heeft kunt u het gereedschap opnieuw gebruiken.
3. Wanneer de accu oververhit is door overbelasting, kan het zijn dat de accu niet meer werkt. In dit geval moet u de accu niet verder gebruiken, maar deze eerst laten afkoelen. Wanneer u het probleem verholpen heeft kunt u de accu opnieuw gebruiken.

Gelieve eveneens aandacht te schenken aan volgende waarschuwing en aandachtspunt.

WAARSCHUWING

Om acculekken, het opwekken van warmte, rookontwikkeling, explosie en ontsteking bijtijds te vermijden, moet u de volgende voorzorgsmaatregelen nemen.

1. Zorg ervoor dat er zich geen spaanders en stof op de accu ophopen.
- Zorg er tijdens de werkzaamheden voor dat er geen spaanders en stof op de accu kunnen vallen.
- Zorg ervoor dat de spaanders en het stof die tijdens het werk op het elektrisch gereedschap vallen zich niet op de accu ophopen.
- Bewaar een ongebruikte accu niet op een plaats waar deze aan spaanders en stof wordt blootgesteld.
- Verwijder alle spaanders en stof van een accu voordat u hem opbergt en bewaar de accu niet op dezelfde plek als metalen onderdelen (schroeven, spijkers, enz.).
2. Doorboor de accu niet met een scherp voorwerp, zoals een nagel, klop er niet op met een hamer, stap niet op de accu, gooi er niet mee en stel hem niet bloot aan zware fysieke schokken.
3. Gebruik geen zichtbare beschadigde of vervormde accu.
4. Gebruik de accu niet met een omgekeerde polariteit.
5. Sluit hem niet rechtstreeks aan op het stopcontact of op de sigarettenaansteker in een auto.
6. Gebruik de accu niet voor andere doeleinden dan de in deze gebruiksaanwijzing genoemde.
7. Wanneer de accu niet kan worden opgeladen, zelfs nadat de specifieke oplaadtijd verstreken is, moet u onmiddellijk stoppen met het opladen.
8. Zorg ervoor dat de accu niet te heet wordt of onder te grote druk komt te staan en stel hem niet aan deze omstandigheden bloot, zoals in een magnetron, droger of een hogedrukcontainer.
9. Houd de accu onmiddellijk uit de buurt van vuur nadat er een lek of vieze geur is vastgesteld.
10. Gebruik de accu niet op een plek waar een grote statische elektriciteit wordt opgewekt.

NAMEN VAN ONDERDELEN (Afb. 1 – Afb. 28)

①	Afdekking bovenkant
②	Trekker
③	LED-lamp
④	Schietkop (uitgang)
⑤	Hendel
⑥	Spijkerdoseerder (A)
⑦	Spijkerdoseerder (B)
⑧	Magazijn
⑨	Haak
⑩	Accu
⑪	Vergrendelingsschakelaar
⑫	Handgreep
⑬	Stop-hendel
⑭	Schakelaar accu-indicator
⑮	Accu-indicator
⑯	Vernagel-schakelbediening
⑰	Stroomindicator
⑱	Aan/uit-schakelaar
⑲	Vernagel- bedieningsindicator
⑳	Spijkerstrip
㉑	Magazijnafdekking
㉒	Groef
㉓	Mesgeleider
㉔	Regelaar
㉕	Haakplaat
㉖	Neuskap
㉗	Vergrendelinghendel
㉘	Geleiderplaat

- In geval van een acculek, vieze geur, warmteontwikkeling, verkleuring of vervorming, of iets abnormaals tijdens het gebruik, het opladen of de opslag, moet u de accu onmiddellijk uit het gereedschap of de lader halen en moet u het gebruik ervan stoppen.
- Dompel de batterij niet onder of laat geen vloeistoffen erin vloeien. Binnendringen van geleidende vloeistof, zoals water, kan schade veroorzaken, met brand of een explosie tot gevolg. Bewaar de batterij op een koele, droge plaats, uit de buurt van explosieve en licht ontvlambare voorwerpen. Vermijd omgevingen met bijtend gas.

LET OP

- Wanneer u de lekkende vloeistof uit de accu in de ogen krijgt, wrijf dan niet in de ogen, maar was ze goed uit met zoet en schoon water, zoals kraanwater en roep er onmiddellijk een dokter bij. Indien u geen behandeling krijgt, kan de vloeistof oogproblemen veroorzaken.
- Wanneer de vloeistof op uw huid of kleding lekt, moet u ze onmiddellijk goed wassen met schoon water, zoals kraanwater. De kans bestaat dat dit huidirritatie veroorzaakt.
- Wanneer u roest, een vieze geur, oververhitting, verkleuring, vervorming en/of andere onregelmatigheden vaststelt wanneer u de accu voor de eerste keer gebruikt, gebruik hem dan niet verder, maar retourneer de accu aan uw leverancier of verkoper.

WAARSCHUWING

Als er een geleidende vreemde stof op de contacten van de lithium-ionaccu terecht komt, kan de accu worden kortgesloten, waardoor brand kan ontstaan. Wanneer u de lithium-ionaccu bewaart, dient u de volgende regels in acht te nemen

- Plaats geen geleidende stoffen, spijkers en draden zoals ijzer- en koperdraad in de opslagdoos.
- Plaats de accu in het gereedschap of bevestig het accudeksel stevig voor opslag tot u de ventilator niet meer ziet om kortsluiting te voorkomen.

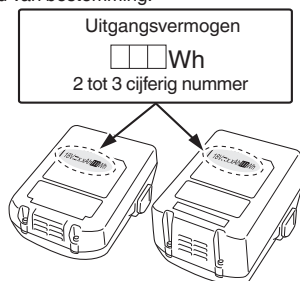
BETREFFENDE TRANSPORT VAN LITHIUM-ION ACCU

Neem bij transport van een lithium-ion accu de volgende voorzorgsmaatregelen in acht.

WAARSCHUWING

Stel het transportbedrijf op de hoogte dat er een lithium-ion accu wordt vervoerd, vermeld het vermogen en volg de instructies van het transportbedrijf bij het regelen van vervoer.









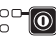
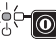






- Lithium-ion accu's die een uitgangsvermogen van 100 Wh overschrijden worden beschouwd als gevaarlijke goederen binnen de vrachtgoederenclassificatie en vereisen speciale procedures.
- Voor internationaal transport, moet u voldoen aan internationale wetgeving en wetten en voorschriften van het land van bestemming.





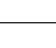






SYMBOLEN

WAARSCHUWING

Hieronder staan symbolen afgebeeld die van toepassing zijn op deze machine. U moet de betekenis hiervan begrijpen voor u de machine gaat gebruiken.

	NT 1865DBAL: Snoerloos pneumatisch spijkerpistool NT 1865DBSL: Snoerloos pneumatisch spijkerpistool NT 1850DBSL: Snoerloos spijkerpistool voor koploze afwerkingsnagels
	Om het risico op verwondingen te verminderen, moet de gebruiker de instructiehandleiding lezen.
	Alleen voor EU-landen Geef elektrisch gereedschap niet met het huisvuil mee! Volgens de Europese richtlijn 2012/19/EU inzake oude elektrische en elektronische apparaten en de toepassing daarvan binnen de nationale wetgeving, dient gebruikt elektrisch gereedschap gescheiden te worden ingezameld en te worden afgevoerd naar een recyclebedrijf dat voldoet aan de geldende milieu-eisen.
	Gelijkstroom
	AAN zetten
	UIT zetten
	Koppel de accu los
	Aan/uit-schakelaar
	UIT schakelen
	AAN schakelen Stroomindicator: Licht groen op
	Vernagel-schakelbediening
	VOLLEDIG OPEENVOLGEND BEDIENINGSMECHANISME
	VOLLEDIG OPEENVOLGEND BEDIENINGSMECHANISME-modus Vernagel- bedieningsindicator: Licht blauw op
	CONTACT BEDIENINGSMECHANISME
	CONTACT BEDIENINGSMECHANISME-modus Vernagel- bedieningsindicator: Blauw knipperen
	Trekker vergrendeld

	Trekker ontgrendeld
	Schakelaar accu-indicator
	De resterende accucapaciteit is voldoende Accu-indicator: 2 LEDs (Rood) lichten op
	De resterende accucapaciteit is gehalveerd. Batterijaanduiding: 1 LED (rood) licht op
	De resterende accucapaciteit is nagenoeg uitgeput. Laad de batterij zo snel mogelijk op. Accu indicator: 1 LED (rood) knippert
	Neem contact op met HiKOKI voor inspectie. Accu-indicator: 2 LED's knipperen oranje, na 10 seconden, schakel automatisch het apparaat uit.
	Ondiepe kant
	Diepe kant
	Waarschuwing
	Verboden handeling

TECHNISCHE GEGEVENS

1. Snoerloos pneumatisch spijkerpistool

Model	NT1865DBAL		NT1865DBSL	
Motor	DC Borstelloos		DC Borstelloos	
Geschikte Spijker	15 Ga (Hoek: 34°)		16 Ga	
Geschikte spijkerlengte	32 mm tot 65 mm		25 mm tot 65 mm	
Spijker laadcapaciteit [spijkers]	100 (1 strip)		100 (2 strips)	
Afschietmodus	Volledig opeenvolgend/ Contact (selecteerbaar)		Volledig opeenvolgend/ Contact (selecteerbaar)	
Cyclussnelheid	[spijkers/seconde]	3 (onderbroken)		3 (onderbroken)
Accu	Model	BSL1830C		BSL1830C
	Type	Li-ion batterij		
	Spanning	DC 18 V		
Gewicht*	3,5 – 4,1 kg		3,4 – 4,0 kg	
Afmeting Hoogte x Lengte x Breedte	344 mm x 300 mm x 104 mm		315 mm x 298 mm x 104 mm	315 mm x 310 mm x 104 mm

* Volgens EPTA-procedure 01/2014

Afhankelijk van de aangesloten accu. Het zwaarste gewicht wordt gemeten met BSL36B18 (apart verkrijgbaar).

2. Snoerloos spijkerpistool voor koploze afwerkingsnagels

Model	NT1850DBSL		
Motor	DC Borstelloos		
Geschikte Spijker	18 Ga		
Geschikte spijkerlengte	16 mm tot 50 mm		
Spijker laadcapaciteit [spijkers]	100 (1 strip)		
Afschietmodus	Volledig opeenvolgend/Contact (selecteerbaar)		
Cyclussnelheid	[spijkers/seconde]	3 (onderbroken)	
Accu	Model	BSL1830C	BSL1850
	Type	Li-ion batterij	
	Spanning	DC 18 V	
Gewicht*	3,3 – 4,0 kg		
Afmeting Hoogte x Lengte x Breedte	323 mm x 298 mm x 104 mm	323 mm x 310 mm x 104 mm	

* Volgens EPTA-procedure 01/2014

Afhankelijk van de aangesloten accu. Het zwaarste gewicht wordt gemeten met BSL36B18 (apart verkrijgbaar).

3. Acculader

Model	UC18YFSL	UC18YML2
Oplaadspanning	DC 14,4 – 18 V	
Gewicht	0,5 kg	0,7 kg

OPMERKING

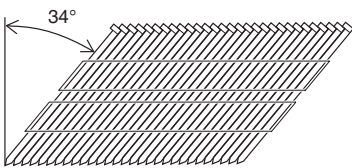
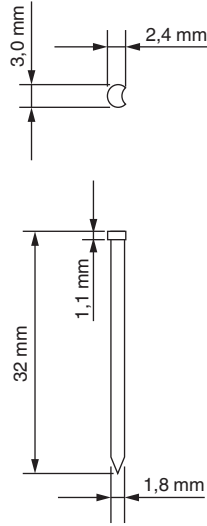

Op grond van het voortdurende research en ontwikkelingsprogramma van HiKOKI kunnen de hierin genoemde technische gegevens zonder voorafgaande kennisgeving worden gewijzigd.

SPIJKERSELECTIE

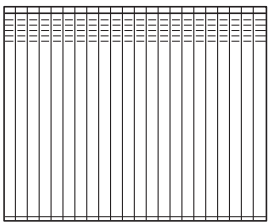
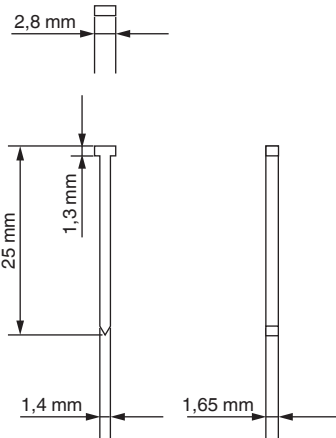

Alleen de spijkers weergegeven in de onderstaande tabel kunnen worden vernageld met dit spijkerpistool.

Afmetingen van spijkers

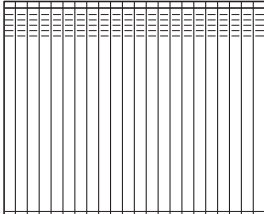
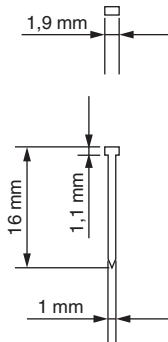

<NT1865DBAL>

	Min.	Max.
<p>15 meter pneumatische spijkers (Hoek: 34°)</p> 		

<NT1865DBSL>

	Min.	Max.
<p>16 meter pneumatische spijkers (recht)</p> 		

<NT1850DBSL>

	Min.	Max.
<p>18 meter spijkers zonder kop (recht)</p> 		
Exclusief spijkers met een lengte van 35 mm		

STANDAARD TOEBEHOREN

Naast het hoofdtoestel (1 toestel), bevat de verpakking de accessoires die vermeld staan op bladzijde 378.

De standaard toebehoren kunnen zonder nadere aankondiging gewijzigd worden.

TOEPASSINGEN

<NT1865DBAL, NT1865DBSL>

- Vernagelen als afwerkingsproces voor gebieden rond de deuren, ramen alsmede hoeken.
- Onderkant van laden bevestigen. Het maken van verschillende behuizingen en kasten.

<NT1850DBSL>

- Montage van kasten en fotolijsten, meubelbekleding.
- Vaste locatie en mobiele huis-bekleding en vorming.

OPLADEN

Voor het gebruik van het elektrisch gereedschap dient de accu als volgt opgeladen te worden.

1. Aansluiten op de stroombron. (Afb. 3)

Wanneer u de accu oplaadt met netvoeding

- Sluit het netsnoer van de acculader aan op het stopcontact.

Wanneer de stekker van de acculader in het stopcontact wordt gestoken, zal het lampje in rood knipperen (met tussenpozen van 1 seconde).

LET OP

Gebruik het elektrisch snoer niet wanneer het beschadigd is. Laat het onmiddellijk repareren.

Wanneer u de accu oplaadt met 12 V gelijkstroom van een auto (UC18YML2)

- Zet de acculader goed vast op zijn plaats in de auto.. Gebruik de meegeleverde riem om de acculader op zijn plaats vast te zetten zodat hij niet onverwachts kan gaan schuiven. (Zie **Afb. 28**)

LET OP

Zet de acculader of de accu zelf niet onder de bestuurdersstoel. Zet de acculader vast op zijn plaats om te voorkomen dat hij onverwachts gaat verschuiven, want dit kan leiden tot ongelukken.



Afb. 28

- Steek de stekker voor de aansteker in de aanstekeraansluiting. Als de stekker te los zit en uit de aanstekeraansluiting valt, moet u de aansluiting laten repareren. Omdat er een defect in de aansluiting kan zijn, raden we u aan om contact op te nemen uw plaatselijke autodealer. Als u de aansluiting toch blijft gebruiken, kan deze oververhit raken, wat kan leiden tot een ongeluk.
- 2. Steek de batterij in de acculader.** Plaats de batterij in de oplader totdat de lijn zichtbaar wordt, zoals afgebeeld op **Afb 3**. Er worden geen streepjes weergegeven op de UC18YFSL. Zorg dat de accu stevig is geplaatst.
 - 3. Opladen** Wanneer een batterij in de acculader wordt aangebracht, blijft het controlelampje continu rood branden. Wanneer de accu volledig is opgeladen, gaat het controlelampje rood knipperen. (Met tussenpozen van 1 seconde) (Zie **Tabel 1**)
 - (1) Aanduidingen van het controlelampje De aanduidingen van het controlelampje zijn zoals aangegeven in **Tabel 1**, al naar gelang de toestand van de accu of de acculader.

Tabel 1

<UC18YFSL>

Aanduidingen van het controlelampje				
Controlelampje (rood)	Voor het laden	Knippert	Licht ongeveer 0,5 seconde op. Licht ongeveer 0,5 seconde niet op. (0,5 seconde lang uit)	
	Tijdens opladen	Brandt	Blijft branden	
	Na opladen	Knippert	Licht ongeveer 0,5 seconde op. Licht ongeveer 0,5 seconde niet op. (0,5 seconde lang uit)	
	Oververhitting standby	Knippert	Licht ongeveer 1 seconde op. Licht ongeveer 0,5 seconde niet op. (0,5 seconde lang uit)	De accu is oververhit. De accu kan niet opgeladen worden. (Het opladen wordt hervat wanneer de accu is afgekoeld).
	Opladen onmogelijk	Flikkert	Licht ongeveer 0,1 seconde op. Licht ongeveer 0,1 seconde niet op. (0,1 seconde lang uit)	Er is iets mis met de accu of met de acculader

<UC18YML2>

Aanduidingen van het controlelampje				
Het controlelampje licht rood op of knippert rood.	Voor het laden	Knippert	Licht ongeveer 0,5 seconde op. Licht ongeveer 0,5 seconde niet op. (0,5 seconde lang uit)	
	Tijdens opladen	Brandt	Blijft branden	
	Na opladen	Knippert	Licht ongeveer 0,5 seconde op. Licht ongeveer 0,5 seconde niet op. (0,5 seconde lang uit)	
	Opladen onmogelijk	Flikkert	Licht ongeveer 0,1 seconde op. Licht ongeveer 0,1 seconde niet op. (0,1 seconde lang uit)	Er is iets mis met de accu of met de acculader
Het controlelampje brandt of knippert groen.	Oververhitting standby	Brandt	Blijft branden	De accu is oververhit. De accu kan niet opgeladen worden. (Het opladen wordt hervat wanneer de accu is afgekoeld).
	Opladen van de stroombron in de auto is niet mogelijk	Knippert	Licht ongeveer 0,5 seconde op. Licht ongeveer 0,5 seconde niet op. (0,5 seconde lang uit)	Voeding 12 V gelijkstroom is defect

OPMERKING: Tijdens stand-by om de accu af te koelen, koelen de UC18YML2 de oververhitte accu af met een ventilator. (De ventilator functioneert echter niet wanneer u de accu oplaadt met de 12 V gelijkstroombron van een auto.)

(2) Bateffende de temperatuur van de oplaadbare batterij De temperaturen voor herlaadbare batterijen worden weergegeven in **Tabel 2**. Oververhitte batterijen moeten een tijdje afkoelen voordat ze worden herladen.

Tabel 2 Temperatuur voor opladen van batterijen

Oplaadbare batterijen	Geschikte temperatuur voor het opladen
BSL1830C, BSL1850	0°C – 50°C

(3) Tijd die benodigd is voor het opladen De oplaadtijden in de onderstaande **Tabel 3** zijn afhankelijk van de combinatie van acculader en batterij.

Tabel 3 Oplaadtijden (bij 20°C)
(Netvoeding / accuvoeding voor 12V (in de auto))

Batterij	Acculader	
	UC18YFSL	UC18YML2
BSL1830C	Circa. 45 min	Circa. 45 / 120 min
BSL1850	Circa. 75 min	Circa. 75 / 200 min

OPMERKING

De oplaadtijd hangt mede af van de omgevingstemperatuur en het voltage van de stroombron.

<UC18YML2>

Vooral bij gebruik van de 12 V gelijkstroom van een auto-accu als stroombron kan het opladen bij hogere temperaturen langer duren.

LET OP

Wanneer de acculader onafgebroken wordt gebruikt, zal deze warm worden, waardoor storingen kunnen worden veroorzaakt. Wacht daarom 15 minuten wanneer het opladen is voltooid voor u opnieuw begint met opladen.

4. Haal de stekker van de acculader uit het stopcontact of de sigarettenaansteker.**5. Houd de acculader stevig vast en trek de accu eruit.****OPMERKING**

U moet de accu na het laden uit de acculader halen en op een veilige plek bewaren.

Betreffende het ontladen raken van nieuwe batterij e.d.

Aangezien bij nieuwe en langdurig niet gebruikte batterijen de chemische activiteit is teruggelopen, zal de stroomopbrengst bij het eerste en tweede gebruik slechts gering zijn. Dit is een tijdelijk verschijnsel; de normale oplaadtijd kan hersteld worden door de batterij 2 à 3 maal bij kamertemperatuur op te laden.

Om langdurig gebruik van de batterij te bevorderen

- (1) Laad batterijen op vóórdat ze volledig uitgeput zijn. Merk u dat de gevoede apparatuur minder krachtig gaat werken, onderbreekt dan het gebruik en laad de batterij op. Als u apparatuur op batterijvoeding te lang blijft gebruiken, kan dit leiden tot teruglopen van de batterijwerking en eventueel zelfs beschadiging ervan.
- (2) Verricht het opladen niet bij hoge temperatuur. Een oplaadbare batterij zal onmiddellijk na gebruik gewoonlijk erg warm zijn. Als u een dergelijke batterij onmiddellijk gaat opladen, zal de chemische balans in het inwendige verstoord worden en zal de levensduur van de batterij afnemen. Laat de batterij daarom even afkoelen, voor u met opladen begint.

LET OP

- Als de accu wordt opgeladen terwijl deze warm is omdat de accu langere tijd op een plaats lag die werd blootgesteld aan direct zonlicht of omdat de accu zojuist is gebruikt, kan het controlelampje van de acculader 1 seconde lang oplichten, dan 0,5 seconde niet oplichten (0,5 seconde uit) (UC18YFSL) of hij licht groen op. (UC18YML2). Mocht dit zich voordoen, laat de batterij dan eerst even afkoelen alvorens u deze oplaadt.
- Wanneer het controlelampje rood flinkt (elke 0,2 seconde), moet u controleren of er verontreinigingen zijn in de accu-aansluiting van de acculader en deze verwijderen als dat het geval is. Als er geen verontreinigingen zijn, is het mogelijk dat de accu of de acculader defect is. Breng deze dan naar een officieel servicecentrum.
- Omdat de ingebouwde microprocessor van de UC18YFSL / UC18YML2 een drietal seconden nodig heeft om te reageren op het loskoppelen van de batterij, dient u minimaal drie seconden te wachten voordat u de batterij weer aansluit om het laden te vervolgen. Als de batterij binnen de drie seconden wordt aangesloten, bestaat de kans dat deze niet goed wordt opgeladen.

- Controleer het voltage van de stroombron in de auto wanneer het controlelampje groen knippert (met intervallen van 1 seconde). (UC18YML2)
Als het voltage 12 V of lager is, dan geeft dat aan dat de auto-accu leeg raakt en dat opladen niet mogelijk is.
- Als het lampje niet rood knippert (1 keer per seconde) hoewel het snoer van de acculader of de stekker voor de sigarettenaansteker goed is aangesloten, dan is misschien de beveiliging van de acculader in werking getreden.
Haal dekker uit het stopcontact of uit de aansteker, wacht ongeveer 30 seconden en doe de stekker dan weer terug. Als het controlelampje nu nog niet rood gaat knipperen (1 keer per seconde), moet u de lader naar een bevoegd servicecentrum van HiKOKI brengen.

VOOR GEBRUIK

Handeling	Afbeelding	Bladzijde
Verwijderen en aanbrengen van de accu	2	379
Opladen	3	380
Selecteren van accessoires	—	385

1. Het bedienen van het bedieningspaneel**(1) Aan/uit schakelaar AAN (zie afb. 4)**

In het geval van „Aan/Uit- schakelaar UIT”, houdt u de aan/uit schakelaar langer dan 1 seconde ingedrukt, vervolgens licht de spanningsindicator groen op.

OPMERKING

Druk niet op de hendel en/of trek niet aan de trekker tijdens het schakelen van de hoofdschakelaar op AAN. Anders wordt de aan/uit-schakelaar niet op AAN gezet.

[Automatisch uitschakelen]

Wanneer de stroom wordt ingeschakeld maar het spijkerpistool gedurende 30 minuten niet wordt gebruikt, wordt het automatisch uitgeschakeld. Om het weer aan te zetten, drukt u op de aan/uit-schakelaar.

WAARSchUWING

Laat het spijkerpistool nooit liggen met de stroom aan. Dit kan leiden tot een ongeval.

(2) Aan/uit schakelaar UIT (zie afb. 4)

In het geval van „Aan/Uit- schakelaar AAN”, houdt u de aan/uit schakelaar langer dan 1 seconde ingedrukt, vervolgens gaat de spanningsindicator uit.

In het geval van „de aan/uit schakelaar AAN”, zijn functies hieronder actief.

(3) Selecteer vernagel- bedieningsmodus

(Volledige opeenvolgende bediening/Contactbediening) Na het inschakelen van de aan/uit schakelaar, stel altijd de volledig opeenvolgende bedieningsmodus als eerste in werking. (Vernagel- bedieningsindicator licht in het blauw op.) (Zie Afb. 5)

Om de vernagel- bedieningsmodus te veranderen, druk eenmaal op de Vernagel-bedieningsknop. Elke keer dat u drukt, verandert de modus tussen „Vol opeenvolgend” en „Contact”. (Zie Afb. 6)

Licht (Blauw):




VOLLEDIG OPEENVOLGEND
BEDIENINGSMECHANISME,

Knipperend (Blauw):

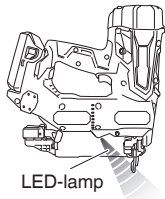

CONTACT BEDIENINGSMECHANISME

Nederlands

- (4) Controleer het resterende vermogen van de accu
Bij het indrukken van de accu-indicator, toont de accu-indicator het resterende batterijniveau van het LED-lampje, zoals hieronder.

Indicatorstatus	
 2 LEDs (Rood) lichten op	De resterende accucapaciteit is voldoende.
 1 LED (Rood) licht op	De resterende accucapaciteit is gehalveerd.
 1 LED (Rood) knippert	De resterende accucapaciteit is nagenoeg uitgeput. Laad de batterij zo snel mogelijk op.

- (5) Andere functies
In het geval van een storing, geven de LED-lampjes het volgende aan.

Indicatorstatus	
 LED-lamp	De machine is te koud (onder -5°C) of te heet. Laat het spijkerpistool goed afkoelen of opwarmen in de juiste omstandigheden.
Een LED knippert in een interval. • In te warme toestand, knipper met 1 seconde interval. • In te koude toestand, knipper met 0,5 seconde interval. Na 10 seconden, automatisch LED-licht en aan/uit-schakelaar uitschakelen.	
 2 LED's knipperen oranje, na 10 seconden, schakel automatisch het apparaat uit.	Neem voor inspectie contact op met HiKOKI.


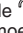

- (6) Gebruiken van het LED-lampje (Zie Afb. 7)
Bij het inschakelen van de aan/uit-knop, zal het LED-lampje automatisch de punt van het gereedschap doen oplichten.

LET OP

- Zorg dat u uw ogen niet rechtstreeks blootstelt aan het licht door in de lamp te kijken.
Als uw oog continu aan het licht wordt blootgesteld, zal dit uw oog beschadigen.

- Verwijder met een zachte doek alle vuil of vuiligheid vastgehecht aan de lens van de LED-lamp, waarbij u erop let dat u geen krassen op de lens maakt.
Krassen op de lens van de LED-lamp kan resulteren in verminderde helderheid.

2. Trekker vergrendelingsmechanisme (zie afb. 8) WAARSCHUWING

- Zorg ervoor dat de trekker vergrendeld is wanneer u geen spijkers vernagelt.
Dit spijkerpistool heeft een vergrendelingsmechanisme om te voorkomen dat spijkers worden afgeschoten. Stel de vergrendelingsmechanisme in op de  positie om de trekker te vergrendelen.
Schuif de vergrendelingsmechanisme naar de  positie vergrendelen wanneer het spijkerpistool moet worden gebruikt, en in de  stand wanneer deze niet in gebruik is.

3. Het testen van het spijkerpistool WAARSCHUWING

- Zorg ervoor dat de trekker vergrendeld is wanneer u geen spijkers vernagelt. (Zie Afb. 8)
- Gebruik geen spijkerpistool als de hendel niet naar behoren werkt.
De NT1865DBAL en NT1865DBSL maken gebruik van een preventief mechanisme voor de onbelaste werking. De NT1865DBAL en NT1865DBSL komen in een toestand waarin de hendel niet omhoog kan worden geduwd. Dit gebeurt wanneer het magazijn niet geladen is met spijkers of als het resterende aantal spijkers minder is dan 6 of 9.

LET OP

- Zorg ervoor dat u de top van de hendel niet op het hout gooit.
Voordat u begint met het vernagelen, test het spijkerpistool door gebruik te maken van onderstaande checklist. Voer deze testen uit in de volgende volgorde.
Als er abnormale werking optreedt, stop dan met het gebruik van het spijkerpistool en neem contact op met een door HiKOKI erkend servicecentrum.

- (1) VERWIJDER ALLE SPIJKERS EN DE ACCU VAN HET SPIJKERPISTOOL.

- ALLE SCHROEVEN DIENEN TE WORDEN VASTGEDRAAID.
- DE HENDEL EN TREKKER MOETEN SOEPEL BEWEGEN met het naar achter trekken van de spijkerdoseerder (B). (NT1850DBSL: Onnodig om de spijkerdoseerder naar achter te trekken)

- (2) Installeren van de accu.
Bedien de hendel of trekker niet tijdens het installeren van de accu. (Zie Afb. 2)

- (3) Zet de aan/uit-knop aan. (Zie Afb. 1)
Schakel het apparaat in door de aan/uit-knop gedurende meer dan 1 seconde ingedrukt te houden.

- Controleer of de aan/uit-indicator groen oplicht en de vernagel- bedieningsindicator blauw oplicht. (VOLLEDIG OPEENVOLGENDE BEDIENINGSMECHANISME)

OPMERKING

- Druk niet op de hendel en/of trek niet aan de trekker tijdens het schakelen van de hoofdschakelaar op AAN.
Anders wordt de aan/uit-schakelaar niet op AAN gezet.

[Automatisch uitschakelen]

- Wanneer de stroom wordt ingeschakeld maar het spijkerpistool gedurende 30 minuten niet wordt gebruikt, wordt het automatisch uitgeschakeld. Om het weer aan te zetten, drukt u op de aan/uit-schakelaar.

WAARSCHUWING

- Laat het spijkerpistool nooit liggen met de stroom aan.
Dit kan leiden tot een ongeluk.

Vernagel- bedieningsindicator

Licht (Blauw):

**VOLLEDIG OPEENVOLGENDE
BEDIENINGSMECHANISME,**

Knipperend (Blauw):

CONTACT BEDIENINGSMECHANISME

Controleer of de accu-indicator niet knippert.

Als de lege accu-indicator rood knippert, betekent dit dat de accu niet genoeg stroom heeft en opgeladen moet worden.

- (4) Verwijder de vinger van de trekker en druk de hendel tegen het werkstuk door de spijkerdoseerder naar achteren te trekken(B).

HET SPIJKERPSITOOL MAG NIET IN WERKING TREDEN.

- (5) Scheid de hendel van het werkstuk. Vervolgens richt u het spijkerpistool naar beneden, door de spijkerdoseerder (B) naar achteren te trekken, trek aan de trekker en wacht voor tenminste 5 seconden in deze positie.

HET SPIJKERPSITOOL MAG NIET IN WERKING TREDEN.

- (6) ① Zonder de trekker aan te raken, druk de hendel tegen het werkstuk door de spijkerdoseerder naar achteren te trekken (B).
Haal vervolgens de trekker over.

HET SPIJKERPISTOOL MOET IN WERKING TREDEN.

② Houd de trekker naar achteren en druk de hendel weer tegen het werkstuk aan.

HET SPIJKERPSITOOL MAG NIET IN WERKING TREDEN.

③ Haal de vinger weg van de trekker.
Vervolgens ① is deze weer in werking.

HET SPIJKERPISTOOL MOET IN WERKING TREDEN.

- (7) Scheid de hendel van het werkstuk, haal de trekker over. Druk de hendel binnen 2 seconden tegen het werkstuk.

HET SPIJKERPSITOOL MAG NIET IN WERKING TREDEN.

- (8) Stel de vernagel- bedieningsindicator in op knipperend AAN-modus. (CONTACT BEDIENINGSMECHANISME) Druk eenmaal op de vernagel-schakelbediening, zorg ervoor dat de indicator blauw knippert.
Scheid de hendel van het werkstuk, haal de trekker over. Druk de hendel binnen 2 seconden tegen het werkstuk.

HET SPIJKERPISTOOL MOET IN WERKING TREDEN.

- (9) Als er geen abnormale werking wordt vastgesteld, mag u spijkers in het spijkerpistool laden.
Vernagel spijkers in het werkstuk die van hetzelfde type zijn die in de werkelijke applicatie worden gebruikt.

HET SPIJKERPISTOOL MOET OP JUISTE WIJZE IN WERKING TREDEN.

4. Controleren van de werking van de veiligheidshendel WAARSCHUWING

Zorg ervoor dat de trekker vergrendeld is wanneer u geen spijkers vernagelt.

Zorg dat de trekker geblokkeerd is en de accu uit het elektrisch gereedschap is verwijderd wanneer u de werking van de veiligheidshendel controleert.

Controleer of de veiligheidshendel soepel schuift wanneer deze wordt bediend.

Reinig het schuifvlak van de veiligheidshendel wanneer deze niet soepel schuift.

5. Spijkers laden WAARSCHUWING

Bij het laden van spijkers in het spijkerpistool,

- 1) verwijder de accu uit het spijkerpistool;
- 2) haal de trekker niet over;
- 3) druk niet op de hendel; en
- 4) houd spijkerpistool naar beneden gericht.

<NT1865DBAL, NT1865DBSL>

2-Actie Spijkerinvoer!

(1) Plaats de spijkerstrip in de achterzijde van het magazijn.

(Zie **Afb. 9**)

(2) Schuif de spijkerstrip naar voren in het magazijn. (Zie **Afb. 10**)

(3) Druk op de spijkerdoseerder (A) om de spijkerdoseerder in werking te stellen (B) met de spijkerstrip. (Zie **Afb. 11**)

OPMERKING

○ Druk spijkerdoseerder (A) en spijkerdoseerder (B) zachtjes tegen de spijker.

Als de spijkerdoseerder (A) en spijkerdoseerder (B) los worden gelaten vanuit de achterzijde van het magazijn en tegen de spijker aanstoten, kan het verbindende hechtmiddel van de spijker worden beschadigd.

○ Gebruik een spijkerstrip van meer dan 10 spijkers.

○ Gebruik een onderbroken spijkerstrip met spijkers van dezelfde lengte.

Dit spijkerpistool is nu klaar voor gebruik.

Verwijderen van de spijkers:

① Trek de spijkerdoseerder (B) naar achteren. (Zie **Afb. 12**)

② Zet de spijkerdoseerder (B) zachtjes terug terwijl u de spijkerdoseerder (A) duwt.

③ Trek de spijkers uit de achterkant van het magazijn. (Zie **Afb. 13**)

<NT1850DBSL>

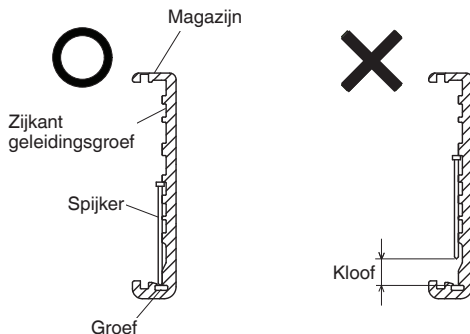
(1) Druk lichtjes op de stophendel en trek de afdekking van het magazijn er voorzichtig uit. (Zie **Afb. 14**)

(2) Plaats de spijkerstrip in het magazijn en zorg dat de punten van de spijkers in aanraking blijven met de groef. (Zie **Afb. 15**)

OPMERKING

De spijkers weergegeven op pagina 81 kunnen zonder enige aanpassing in de geleidergroef aan de zijkant van het magazijn worden geladen.

Zorg er altijd voor dat de punten van de spijkers in contact blijven met de groef.



Nederlands

- (3) Schuif de spijkerstrip in de mesgeleider. (Zie **Afb. 16**)
- (4) Controleer of spijkerstrip wordt geplaatst met zijkant geleidingsgroeven en groef op de juiste manier, duw dan de magazijnafdekking naar voren om te vergrendelen.

HET GEBRUIK VAN HET SPIJKERPISTOOL

WAARSCHUWING

- Het gereedschap nooit op uzelf of anderen in het werkgebied richten.
- Houd uw vingers uit de buurt van de trekker als u geen spijkers aandrijft om per ongeluk afvuren te voorkomen.
- Gebruik de elektrische snoer niet wanneer het beschadigd is. Laat het onmiddellijk repareren.
- Keuze van activatiemethode is belangrijk. Lees en begrijp "1. Procedures voor vernagelen" treft u hieronder aan.
- Controleer voordat u met de werkzaamheden begint het vernagel-schakelbedieningsapparaat. Dit HiKOKI spijkerpistool bevat een vernagel-schakelbedieningsapparaat. Voor aanvang van de werkzaamheden, moet u ervoor zorgen dat het apparaat correct is ingesteld. Als het apparaat niet juist is ingesteld, zal het spijkerpistool niet op de juiste wijze functioneren.
- Houd uw gezicht, handen en voeten uit de buurt bij het afvuren.
- Zorg dat u niet op andere spijkers vernageld of het spijkerpistool op een te steile hoek gebruikt; spijkers kunnen afketsen en ernstig letsel veroorzaken.
- Vernagel de spijkers niet in dunne platen of dichtbij hoeken en randen van het werkstuk. Spijkers kunnen door het werkstuk gaan of van het werkstuk afschieten en iemand raken.
- Vernagel nooit spijkers aan beide kanten van een wand op hetzelfde moment. Spijkers kunnen in en door de wand vernageld worden en een persoon aan de andere kant raken.
- Gebruik nooit een spijkerpistool dat niet goed werkt of defect is.
- Gebruik een spijkerpistool niet als hamer.
- Verwijder alle resterende bevestigingen en de batterij uit het spijkerpistool wanneer:
 - 1) u bezig bent met inspectie en onderhoud;
 - 2) u controleert op goede werking van hendel en trekker;
 - 3) u de dop bevestigt of verwijderd;
 - 4) u een verstopping schoonmaakt;
 - 5) het apparaat niet in gebruik is;
 - 6) u uw werkgebied verlaat;
 - 7) u het naar een andere locatie verplaatst; en
 - 8) u het aan een ander geeft.
- Verwijder de batterij uit het spijkerpistool wanneer:
 - 1) u spijkers laadt;
 - 2) u aan de stelschroef draait.

Dit HiKOKI spijkerpistool is uitgerust met een vernagel-schakelbedieningsapparaat.

Gebruik VOLLE OPEENVOLGENDE BEDIENINGSMECHANISME of CONTACT BEDIENINGSMECHANISME in overeenstemming met de uit te voeren werkzaamheden.

Uitleg van de verschillende vernagel- bedieningen

- VOLLE OPEENVOLGENDE BEDIENINGSMECHANISME: Druk eerst de hendel tegen het hout; haal daarna de trekker over om de spijker te vernagelen. Ga volgens dezelfde volgorde te werk om spijkers te blijven vernagelen. Na één keer spijkieren kan er pas weer worden gespijkerd als de vinger van de trekker wordt gehaald en het gereedschap volledig van het houtoppervlak wordt getild.

- CONTACT BEDIENINGSMECHANISME: Contact bediening kan in twee verschillende volgordes gebeuren, afhankelijk van uw gebruik. Om meerdere spijkers te vernagelen:
 1. Haal de trekker over.
 2. Druk de hendel tegen het hout om de spijker te vernagelen.
 3. Als de trekker wordt teruggehouden, zal iedere keer dat de hendel tegen het hout gedrukt wordt, een spijker worden vernageld.Om één spijker te vernagelen:
 1. Druk de hendel tegen het hout.
 2. Haal de trekker over om de spijker te vernagelen.
 3. Haal uw vinger van de trekker en haal het spijkerapparaat van het hout af.

[Dry-fire vergrendelingsmechanisme]

De NT1865DBAL en NT1865DBSL maken gebruik van een preventief mechanisme voor de onbelaste werking. De NT1865DBAL en NT1865DBSL komen in een toestand waarin de hendel niet omhoog kan worden gedruwd. Dit gebeurt wanneer het magazijn niet geladen is met spijkers of als het resterende aantal spijkers minder is dan 6 of 9.

LET OP

Zorg ervoor dat de top van de hendel niet op het hout gegooid wordt wanneer de hendel niet omhoog gedruwd kan worden.

1. Vernagelen procedures

Dit spijkerpistool is uitgerust met een hendel en werkt niet tenzij de hendel wordt ingedrukt.

Er zijn twee methoden van bediening om spijkers te vernagelen met dit spijkerpistool.

Zij zijn:

1. Intermitterende bediening (trekker vuren):
 2. Continue bediening (Hendel vuren):
- (1) Intermitterende bediening (trekker vuren)
Gebruik de VOLLE OPEENVOLGENDE BEDIENINGSMECHANISME instelling. (Zie **Afb. 17**)

WAARSCHUWING

- Voor intermitterende bediening. Zet de vernagelen-bedieningsschakelaar op VOLLE OPEENVOLGENDE BEDIENINGSMECHANISME (Vernagelen-bedieningsindicator licht in het blauw op.) (Dwz ingesteld op ENKELE BEDIENINGSMECHANISME.)
- Om dubbel afvuren of per ongeluk afvuren als gevolg van terugslag te voorkomen.
 - 1) Stel in op VOLLE OPEENVOLGENDE BEDIENINGSMECHANISME.
 - 2) Haal de trekker snel en stevig over.
- ① Stel de vernagel- bedieningsschakelaar op VOLLE OPEENVOLGENDE BEDIENINGSMECHANISME (Vernagel-bedieningsindicator licht in het blauw op.) (In te stellen op VOLLE OPEENVOLGENDE BEDIENINGSMECHANISME.) (Stel de schakelrichting voor de vernagel-bedieningsindicator licht op in de blauw-modus volledig zoals aangegeven in **Afb. 17**. Als dit niet het geval is, wordt het ingesteld op CONTACT ACTIVERING MECHANISME.)
- ② Plaats het spijker-stopcontact op het werkstuk met de vinger van de trekker af.
- ③ Druk de hendel stevig in totdat deze helemaal is ingedrukt.
- ④ Haal de trekker over om een spijker te vernagelen.
- ⑤ Verwijder uw vinger van de trekker en til het gereedschap volledig van het houten oppervlak af.

Om door te gaan met vernagelen op een andere locatie, verplaatst het nagelpistool langs het hout en herhaalt de stappen ② - ⑤ zoals vereist.

OPMERKING

Handelingen ③ en ④ moeten worden uitgevoerd binnen 2 seconden na elkaar. Als er meer dan 2 seconden verstrijken na ③ zal het spijkerpistool niet goed werken. Mocht dit het geval zijn, probeer opnieuw vanaf ③.

- (2) Continue bediening (Hendel vuren)
Gebruik CONTACT BEDIENINGSMECHANISME (Zie Afb. 18)

WAARSCHUWING

Om dubbel afvuren of per ongeluk afvuren als gevolg van terugslag te voorkomen.

- 1) Druk op het spijkerpistool niet met overdreven kracht tegen het hout.
- 2) Scheid het vernagelpistool van het hout bij terugslag na het vernagelen.
- ① Stel de vernagel- bedieningsschakelaar in op VOLLE OPEENVOLGENDE BEDIENINGSMECHANISME (Vernagel-bedieningsindicatorlicht in het blauw.) (In te stellen naar CONTACT BEDIENINGSMECHANISME). (Stel de schakelinrichting voor het vernagel-bedieningsindicator knippert in de blauw-modus volledig zoals aangegeven in Afb. 18. Anders zal het niet naar behoren werken.)
- ② Haal de trekker over met het spijkerpistool van het werkstuk af.
- ③ Druk de hendel tegen het werkstuk om een spijker te vernagelen.
- ④ Verplaats het spijkerpistool langs het werkstuk met een sluitende beweging.

Elke keer dat de hendel wordt ingedrukt, wordt er een spijker vernageld.

Zodra het gewenste aantal spijkers is vernageld, verwijder vinger van de trekker.

OPMERKING

Handelingen ② en ③ moeten worden uitgevoerd binnen 2 seconden na elkaar. Als er meer dan 2 seconden verstrijken na ② zal het spijkerpistool niet goed werken. Mocht dit het geval zijn, probeer opnieuw vanaf ②.

WAARSCHUWING

- Houd uw vinger van de trekker, behalve tijdens het vernagelen, omdat dit ernstige verwondingen kan veroorzaken als de hendel per ongeluk in contact komt met u of anderen in het werkgebied.
- Houd uw handen en lichaam uit de buurt van het ontladingsgebied. Dit HiKOKI spijkerpistool kan sluiten vanwege de terugslag van het vernagelen van een spijker en een daaropvolgende nagel kan ongewenst worden vernageld, en eventueel letsel veroorzaken.

OPMERKING

- Als alle waarschuwingen en aanwijzingen worden opgevolgd, is veilige bediening mogelijk met alle twee de systemen: VOLLE OPEENVOLGENDE BEDIENINGSMECHANISME, CONTACT BEDIENINGSMECHANISME.
- Behandel spijkers en verpakking altijd met zorg. Als spijkers vallen, kan de ordening worden onderbroken, hetgeen verstoppingen kan veroorzaken en problemen met de doorvoer.
- Na vernagelen:
 - 1) verwijder de batterij uit het spijkerpistool;
 - 2) verwijder alle spijkers uit het spijkerpistool;

2. De vernageldiepte afstellen

Om er zeker van te zijn dat elke spijker doordringt tot dezelfde diepte, zorgt u ervoor dat het spijkerpistool altijd stevig tegen het werkstuk wordt gedrukt. Als de spijkers te diep of ondiep in het werkstuk worden vernageld, past u het vernagelen dan aan in de volgende volgorde.

- ① Verwijder de accu uit het spijkerpistool.
- ② Als de spijkers te diep worden vernageld, draait u de regelaar naar de oppervlakkige kant. (Zie Afb. 19) Aanpassingen zijn in stappen van een halve draai. Als de spijkers te ondiep worden vernageld, draait u de regelaar naar de diepe kant. (Zie Afb. 20)
- ③ Stop het draaien van de regelaar wanneer een geschikte positie is bereikt voor een vernagel-test.

- ④ Verbind de accu met het spijkerpistool. DRAAG ALTIJD EEN VEILIGHEIDSBRIJ. Voer een vernagel-test uit.

- ⑤ Verwijder de accu uit het spijkerpistool.

- ⑥ Kies een geschikte positie voor de regelaar.

3. Het gebruik van de haak (zie afb. 21, 22, 23)

WAARSCHUWING

Bij het gebruik van de haak schakelt u de stroom uit (groen licht „UIT“). Besteed voldoende aandacht zodat het belangrijkste gereedschap niet valt.

Als het gereedschap valt, is er een risico op een ongeval. Haak kan worden bevestigd aan de linker- of rechterkant. (exclusief NT1865DBAL)

- ① Verwijder de batterij en haal vervolgens alle resterende spijkers uit het magazijn.

- ② Houd het hoofdtoestel stevig vast en verwijder de schroef met een schroevendraaier. (Zie Afb. 21)

- ③ Verwijder de haak en de haakplaat. (Zie Afb. 22)

- ④ Plaats de haak aan de andere kant en schroef deze stevig vast. (Zie Afb. 23)

OPMERKING

Haak kan worden gebruikt als hanger.

4. Het gebruik van de neuskap (zie afb. 24, 25)

WAARSCHUWING

Bij het bevestigen of verwijderen van de neuskap, houd uw vinger weg van de trekker en verwijder alle resterende bevestigingen en de accu van het spijkerpistool.

Als u het oppervlakte van het werkstuk wilt beschermen tegen krassen of markeringen door de hendel, bevestig het neuskap-accessoire aan de hendel.

- ① Verwijder alle resterende bevestigingen en de accu uit het spijkerpistool.

- ② Zet de neuskap aan de teen van de hendel.

- ③ De neuskap is gemarkeerd om het uitgangspunt van de spijker aan te geven, om uitlijning gemakkelijker te maken.

- ④ Als er geen gebruik wordt gemaakt van de neuskap, bevestig u deze in de opbergruimte aan de achterzijde van het magazijn.

OPMERKING

De dikte van de neuskap kan de diepte van het vernagelen verminderen. Bijstelling van vernagel-diepte is vereist.

5. Verhelpen van een verstopping

Als spijkers zijn vastgelopen in de schietkop, verwijder deze en pas het vernagelen aan in de volgende volgorde.

LET OP

Verwijder de accu uit het spijkerpistool.

- ① Verwijder de accu uit het spijkerpistool.

- ② Verwijder alle spijkers.

- ③ Laat de vergrendeling los en open de geleidingsplaat. (Zie Afb. 26)

- ④ Verwijder de vastzittende spijker met een sleufkopschroevendraaier. (Zie Afb. 27)

LET OP

○ Raak NOOIT het aandrijfmotie aan.

○ Wijs NOOIT met het gereedschap naar uzelf of een ander persoon, om het risico van letsel door per ongeluk afvuren te voorkomen.

Zelfs als de batterij van het spijkerpistool wordt verwijderd, is er nog energie van samengedrukte lucht die blijft hangen.

- ⑤ Sluit geleidingsplaat en klink.

OPMERKING

In geval van een veelvoorkomende storing, neem contact op met een door HiKOKI erkend servicecentrum.

ONDERHOUD EN INSPECTIE

LET OP

Zorg ervoor dat alle resterende bevestigingen en de batterij van het spijkerpistool worden verwijderd vóór onderhoud en inspectie.

1. Het inspecteren van het magazijn

- ① Verwijder de batterij uit het spijkerpistool.
- ② Reinig het magazijn. Verwijder stof en houten chips die zich kunnen hebben opgehoopt in het magazijn.

LET OP

Controleer of de spijkerdoseerder soepel glijdt door er met een vinger aan te trekken.

Glijdt deze niet soepel, dan kunnen de spijkers in een ongelijke hoek worden aangedreven en iemand verwonden.

2. Inspectie van bevestigingsschroeven

Controleer alle bevestigingsschroeven regelmatig en zorg ervoor dat ze goed aangedraaid zijn. Draai los zittende schroeven onmiddellijk vast. Doet u dit niet, dan kunnen ernstige gevaren het gevolg zijn.

3. Onderhoud van de motor

De motorwikkeling is het „hart” van het elektrisch gereedschap. Let er daarom goed op dat de wikkeling niet beschadigd raakt en/of nat wordt met olie of water.

4. Inspectie van aansluitingen (gereedschap en accu)

Voer een controle uit om er zeker van te zijn dat er geen spaanders en stof zijn opgehoopt op de aansluitingen. Voer zo nu en dan voorafgaand aan, tijdens en na gebruik een controle uit.

LET OP

Verwijder alle spaanders of stof dat zich mogelijk heeft opgehoopt op de aansluitingen.

Als u dit niet doet, kan dit leiden tot een storing.

5. Reinigen van de behuizing

Wanneer het elektrisch gereedschap vuil is, veegt u het af met een zachte, droge doek of een doek bevochtigd met een zeepopje. Gebruik geen chemische middelen zoals chloor, of vloeistoffen zoals benzine of verfverdunner, want deze kunnen het plastic vervormen of zelfs smelten.

6. Opbergen

Bewaar het elektrisch gereedschap op een plaats met een temperatuur van minder dan 40°C en buiten het bereik van kinderen.

OPMERKING

Opbergen van lithium-ion accu's

Zorg dat de lithium-ion accu volledig is opgeladen voordat u deze opbergt.

Langdurig opbergen (3 maanden of langer) van een accu die bijna leeg is kan resulteren in slechtere prestaties, een sterke afname van de gebruiksduur van de accu en ook is het mogelijk dat de accu niet meer opgeladen kan worden.

Een sterke afname van de gebruiksduur van de accu kan soms wel weer verholpen worden door de accu herhaaldelijk, van twee- tot vijfmaal, op te laden en te gebruiken.

Als de gebruiksduur van de accu zeer kort blijft nadat deze meerdere malen is opgeladen en gebruikt, is de accu versleten en dient u een nieuwe accu aan te schaffen.

LET OP

Bij gebruik en onderhoud van elektrisch gereedschap dienen de in het land waar u zich bevindt geldende veiligheidsregelgeving en veiligheidsstandaarden stipt te worden opgevolgd.

Belangrijke informatie voor de accu's van HIKOKI snoerloos elektrisch gereedschap

Gebruik altijd een van onze voorgeschreven originele accu's. Wij kunnen de veiligheid en prestatie van ons snoerloos elektrisch gereedschap niet garanderen bij gebruik van andere dan de voorgeschreven accu's, of als de accu gedemonteerd of gewijzigd is (zoals demontage of vervanging van accucellen of andere inwendige onderdelen).

GARANTIE

De garantie op het elektrisch gereedschap van HIKOKI is in overeenstemming met de wettelijke/landspecifieke richtlijnen. Deze garantie dekt geen defecten of schade als gevolg van foutief gebruik, misbruik of normale slijtage. In geval van klachten verzoeken wij u het elektrisch gereedschap samen met het GARANTIECERTIFICAAT dat u achterin deze handleiding aantreft naar een erkend servicecentrum van HIKOKI te sturen.

Geluidsinformatie

Geluidskarakteristiek-waarden in overeenstemming met EN 60745:

- Het typische A-zwaarte enkele geluidssterktniveau L_{WA} , 1s,d= 92 dB
- Het typische A-zwaarte enkele geluidsdrukniveau op de werkplek L_{pA} , 1s,d= 81 dB
- Onzekerheid KpA: 3 dB

Deze waarden zijn gereedschap-gerelateerde karakteristieke waarden en geven niet het geproduceerde geluid op het moment van daadwerkelijk gebruiken van het apparaat weer. Het geproduceerde geluid tijdens het werken met het apparaat hangt bijvoorbeeld ook af van de werkomgeving, het stuk waaraan gewerkt wordt, hoe dat stuk ondersteund wordt, het aantal spijkers dat ingeslagen wordt enz.

Afhankelijk van de omstandigheden op de werkplek en de vorm van het stuk waaraan gewerkt wordt, is het nodig om persoonlijke beschermingsmiddelen toe te passen, zoals het plaatsen van het werkstuk op een geluiddempende ondergrond, voorkomen van vibratie van het werkstuk door het vast te klemmen of te bedekken, enz.

In speciale gevallen zal het nodig zijn om oorbeschermers te dragen.

Trillingsinformatie

De typische vibratie karakteristieke waarde in overeenstemming met EN 60745: 2,6 m/s²

Onzekerheid K = 1,5 m/s²

Deze waarde is een gereedschap-gerelateerde karakteristieke waarde en geeft niet de invloed op het hand-arm-systeem op het moment van daadwerkelijk gebruiken van het apparaat weer. De invloed op het hand-arm-systeem bij het gebruiken van dit apparaat hangt bijvoorbeeld ook af van de kracht waarmee men het apparaat beet houdt, van de kracht waarmee het apparaat tegen het werkoppervlak gedrukt wordt, de richting waarin gespijkerd wordt, de afstelling van de luchttoevoer, het stuk waaraan gewerkt wordt, hoe dat ondersteund is enz.

De totale bepaalde trillingswaarde is gemeten in overeenstemming met een standaard testmethode en kan worden gebruikt om meerdere gereedschappen met elkaar te vergelijken.

U kunt dit ook vooraf gebruiken als beoordeling van de blootstelling.

WAARSCHUWING

- De trillingsemissiewaarde tijdens het feitelijke gebruik van het elektrisch gereedschap kan afwijken van de opgegeven totale waarde afhankelijk van de manieren waarop het gereedschap wordt gebruikt.
- Neem kennis van de veiligheidsmaatregelen voor de bescherming van de gebruiker die gebaseerd zijn op een schatting van de blootstelling onder feitelijke gebruiksomstandigheden (rekening houdend met alle onderdelen van de gebruikscyclus, zoals de tijd dat het gereedschap is uitgeschakeld en wanneer dit onbelast draait inclusief de triggertijd).

OPMERKING

Op grond van het voortdurende research en ontwikkelingsprogramma van HiKOKI kunnen de hierin genoemde technische gegevens zonder voorafgaande kennisgeving worden gewijzigd.

Onderhoudsschema

HANDELING	WAAROM	HOE
Reinig het magazijn en het doseermechanisme.	Vorkom dat er een verstopping ontstaat.	Blaas dagelijks schoon.
Zorg ervoor dat de hendel goed blijft werken.	Bevorder gebruikersveiligheid en efficiënte bediening van het spijkerpistool.	Blaas dagelijks schoon.

PROBLEEMOPLOSSING

Controleer het gereedschap aan de hand van de onderstaande tabel indien het gereedschap niet naar behoren functioneert. Als dit het probleem niet oplost, neem dan contact op met uw dealer of het erkende HiKOKI Service Center.

PROBLEEM	BEKIJK DE METHODE	CORRECTIE
Aan/uitschakelaar schakelt niet in. Schakel één keer in, maar schakel automatisch uit.	Lage batterij opladen.	Laad de batterij op.
	Beschadigde interne elektronica.	Neem voor vervanging contact op met HiKOKI.
	Hendel en/of trekker is AAN toestand?	Houd hendel en trekker in UIT-toestand.
	Bedien niet langer dan 30 minuten? (Automatische uitschakelfunctie)	Druk de aan/uitschakelaar langer dan 1 seconde in om naar „AAN” te schakelen
Spijkerpistool werkt niet (Aan/uit-schakelaar AAN).	Spijkerpistool niet genoeg tegen het werkstuk gedrukt.	Houd spijkerpistool stevig vast en druk volledig op het werkstuk.
	Trekker niet genoeg overgehaald.	Haal de trekker stevig over.
	Er gaan meer dan 2 seconden voorbij van het indrukken van de hendel AAN tot trekker AAN (of trekker AAN tot hendel AAN).	Zorg ervoor dat er minder dan 2 seconden verstrijken tussen hendel AAN en trekker AAN (of tussen trekker AAN en hendel AAN).
	Preventief mechanisme geactiveerd. (Geen spijkers, of te weinig bevestigingsmiddelen overgebleven) (exclusief NT1850DBSL)	Laad de spijkers in het magazijn.
	Vergrendelingschakelaar (Trekker vergrendelingsfunctie) is ingesteld op „AAN”.	Stel de vergrendelingschakelaar in op de „UIT” -stand. (Raadpleeg Afb. 8)
	De machine is te koud (onder -5°C) of te heet. (LED knippert met tussenpozen en de aan/uitschakelaar gaat uit na 10 seconden.) (Raadpleeg pag. 84)	Laat het spijkerpistool goed afkoelen of opwarmen in een juiste omstandigheid.
	Beschadigde interne elektronica.	Neem voor vervanging contact op met HiKOKI.

Nederlands

Onderhoudsschema

HANDELING	WAAROM	HOE
Reinig het magazijn en het doseermechanisme.	Voorkom dat er een verstopping ontstaat.	Blaas dagelijks schoon.
Zorg ervoor dat de hendel goed blijft werken.	Bevorder gebruikersveiligheid en efficiënte bediening van het spijkerpistool.	Blaas dagelijks schoon.

PROBLEEMOPLOSSING

Controleer het gereedschap aan de hand van de onderstaande tabel indien het gereedschap niet naar behoren functioneert. Als dit het probleem niet oplost, neem dan contact op met uw dealer of het erkende HiKOKI Service Center.

PROBLEEM	BEKIJK DE METHODE	CORRECTIE
Aan/uitschakelaar schakelt niet in. Schakel één keer in, maar schakel automatisch uit.	Lage batterij opladen.	Laad de batterij op.
	Beschadigde interne elektronica.	Neem voor vervanging contact op met HiKOKI.
	Hendel en/of trekker is AAN toestand? Bedien niet langer dan 30 minuten? (Automatische uitschakelfunctie)	Houd hendel en trekker in UIT-toestand. Druk de aan/uitschakelaar langer dan 1 seconde in om naar „AAN” te schakelen
Spijkerpistool werkt niet (Aan/uit-schakelaar AAN).	Spijkerpistool niet genoeg tegen het werkstuk gedrukt.	Houd spijkerpistool stevig vast en druk volledig op het werkstuk.
	Trekker niet genoeg overgehaald.	Haal de trekker stevig over.
	Er gaan meer dan 2 seconden voorbij van het indrukken van de hendel AAN tot trekker AAN (of trekker AAN tot hendel AAN).	Zorg ervoor dat er minder dan 2 seconden verstrijken tussen hendel AAN en trekker AAN (of tussen trekker AAN en hendel AAN).
	Preventief mechanisme geactiveerd. (Geen spijkers, of te weinig bevestigingsmiddelen overgebleven) (exclusief NT1850DBSL)	Laad de spijkers in het magazijn.
	Vergrendelingsschakelaar (Trekker vergrendelingsfunctie) is ingesteld op „AAN”.	Stel de vergrendelingsschakelaar in op de „UIT” -stand. (Raadpleeg Afb. 8)
	De machine is te koud (onder -5°C) of te heet. (LED knippert met tussenpozen en de aan/uitschakelaar gaat uit na 10 seconden.) (Raadpleeg pag. 84)	Laat het spijkerpistool goed afkoelen of opwarmen in een juiste omstandigheid.
	Beschadigde interne elektronica.	Neem voor vervanging contact op met HiKOKI.
Spijkerpistool werkt, maar er wordt geen spijker vernageld.	Magazijn is vuil.	Blaas en veeg het magazijn schoon.
	Controleer op verstopping.	Verhelp de verstopping (raadpleeg Afb. 26, 27).
	Aandrijfmes versleten of beschadigd?	Neem voor vervanging contact op met HiKOKI.
	Schroefveer verzwakt of beschadigd?	Vervang schroefveer.
	Spijkerdoseerder beschadigd?	Vervang spijkerdoseerder.
	Controleer op de juiste spijkers.	Gebruik alleen aanbevolen spijkers.
Zwakke aandrijving. Vertragen tot cyclus.	Controleer de positie van vernageldiepteverstelling regelaar.	Afstellen volgens afb. 19, 20 .
	Aandrijfmes versleten?	Neem voor vervanging contact op met HiKOKI.
	De druk van de perslucht is laag geworden.	Neem voor vervanging contact op met HiKOKI.
	Beschadigde interne elektronica.	Neem voor vervanging contact op met HiKOKI.

PROBLEEM	BEKIJK DE METHODE	CORRECTIE
Aandrijving te diep.	Controleer de positie van vernagel- diepteverstelling regelaar.	Afstellen volgens afb. 19, 20 .
Slaat spijkers over. Intermitterende doseerder.	Controleer op de juiste spijkers.	Gebruik alleen aanbevolen spijkers.
	Spijkerdoseerder beschadigd?	Vervang spijkerdoseerder.
	Schroefveer verzwakt of beschadigd?	Vervang schroefveer.
	Aandrijfmes versleten of beschadigd?	Neem voor vervanging contact op met HiKOKI.
Spijkers lopen vast. Genagelde spijker is gebogen.	Controleer op de juiste spijkers.	Gebruik alleen aanbevolen spijkers.
	Aandrijfmes versleten of beschadigd?	Neem voor vervanging contact op met HiKOKI.

ADVERTENCIAS DE SEGURIDAD GENERAL DE LA HERRAMIENTA ELÉCTRICA

⚠ ADVERTENCIA

Lea todas las instrucciones y advertencias de seguridad.

Si no se siguen las advertencias e instrucciones, podría producirse una descarga eléctrica, un incendio o daños graves.

Guarde todas las advertencias e instrucciones para futura referencia.

El término "herramienta eléctrica" en las advertencias hace referencia a la herramienta eléctrica que funciona con la red de suministro (con cable) o a la herramienta eléctrica que funciona con pilas (sin cable).

1) Seguridad del área de trabajo

a) Mantenga la zona de trabajo limpia y bien iluminada.

Las zonas desordenadas u oscuras pueden provocar accidentes.

b) No utilice las herramientas eléctricas en entornos explosivos como, por ejemplo, en presencia de líquidos inflamables, gases o polvo.

Las herramientas eléctricas crean chispas que pueden inflamar el polvo o los gases.

c) Mantenga a los niños y transeúntes alejados cuando utilice una herramienta eléctrica.

Las distracciones pueden hacer que pierda el control.

2) Seguridad eléctrica

a) Los enchufes de las herramientas eléctricas tienen que ser adecuados a la toma de corriente. No modifique el enchufe.

No utilice enchufes adaptadores con herramientas eléctricas conectadas a tierra.

Si no se modifican los enchufes y se utilizan tomas de corriente adecuadas se reducirá el riesgo de descarga eléctrica.

b) Evite el contacto corporal con superficies conectadas a tierra como tuberías, radiadores y frigoríficos.

Hay mayor riesgo de descarga eléctrica si su cuerpo está en contacto con el suelo.

c) No exponga las herramientas eléctricas a la lluvia o a la humedad.

La entrada de agua en una herramienta eléctrica aumentará el riesgo de descarga eléctrica.

d) No utilice el cable incorrectamente. No utilice el cable para transportar, tirar de la herramienta eléctrica o desenchufarla.

Mantenga el cable alejado del calor, del aceite, de bordes afilados o piezas móviles.

Los cables dañados o enredados aumentan el riesgo de descarga eléctrica.

e) Cuando utilice una herramienta eléctrica al aire libre, utilice un cable prolongador adecuado para utilizarse al aire libre.

La utilización de un cable adecuado para usarse al aire libre reduce el riesgo de descarga eléctrica.

f) Si no se puede evitar el uso de una herramienta eléctrica en un lugar húmedo, utilice un suministro protegido mediante un dispositivo de corriente residual (RCD).

El uso de un RCD reduce el riesgo de descarga eléctrica.

3) Seguridad personal

a) Esté atento, preste atención a lo que hace y utilice el sentido común cuando utilice una herramienta eléctrica.

No utilice una herramienta eléctrica cuando esté cansado o esté bajo la influencia de drogas, alcohol o medicación.

La distracción momentánea cuando utiliza herramientas eléctricas puede dar lugar a lesiones personales graves.

b) Utilice un equipo de protección. Utilice siempre una protección ocular.

El equipo de protección como máscara para el polvo, zapatos de seguridad antideslizantes, casco o protección auditiva utilizado en las situaciones adecuadas reducirá las lesiones personales.

c) Evite un inicio involuntario. Asegúrese de que el interruptor está en "off" antes de conectar la herramienta a una fuente de alimentación o batería, cogerla o transportarla.

El transporte de herramientas eléctricas con el dedo en el interruptor o el encendido de herramientas eléctricas con el interruptor encendido puede provocar accidentes.

d) Retire las llaves de ajuste antes de encender la herramienta eléctrica.

Si se deja una llave en una pieza giratoria de la herramienta eléctrica podrían producirse lesiones personales.

e) No se extralimite. Mantenga un equilibrio adecuado en todo momento.

Esto permite un mayor control de la herramienta eléctrica en situaciones inesperadas.

f) Vístase adecuadamente. No lleve prendas sueltas o joyas. Mantenga el pelo, la ropa y los guantes alejados de las piezas móviles.

La ropa suelta, las joyas y el pelo largo pueden quedar atrapados en las piezas móviles.

g) Si se proporcionan dispositivos para la conexión de extracción de polvo e instalaciones de recogida, asegúrese de que están conectados y se utilizan adecuadamente.

La utilización de un sistema de recogida de polvo puede reducir los riesgos relacionados con el polvo.

4) Utilización y mantenimiento de las herramientas eléctricas

a) No fuerce la herramienta eléctrica. Utilice la herramienta eléctrica correcta para su aplicación.

La herramienta eléctrica correcta trabajará mejor y de forma más segura si se utiliza a la velocidad para la que fue diseñada.

b) No utilice la herramienta eléctrica si el interruptor no la enciende y apaga.

Las herramientas eléctricas que no pueden controlarse con el interruptor son peligrosas y deben repararse.

c) Desconecte el enchufe de la fuente eléctrica o la batería de la herramienta eléctrica antes de hacer ajustes, cambiar accesorios o almacenar herramientas eléctricas.

Estas medidas de seguridad preventivas reducen el riesgo de que la herramienta eléctrica se ponga en marcha accidentalmente.

d) Guarde las herramientas eléctricas que no se utilicen fuera del alcance de los niños, y no permita que utilicen las herramientas eléctricas personas no familiarizadas con las mismas o con estas instrucciones.

Las herramientas eléctricas son peligrosas si son utilizadas por usuarios sin formación.

- e) **Realice el mantenimiento de las herramientas eléctricas.** Compruebe si las piezas móviles están mal alineadas o unidas, si hay alguna pieza rota u otra condición que pudiera afectar al funcionamiento de las herramientas eléctricas. Si la herramienta eléctrica está dañada, llévela a reparar antes de utilizarla.
Se producen muchos accidentes por no realizar un mantenimiento correcto de las herramientas eléctricas.
- f) **Mantenga las herramientas de corte afiladas y limpias.**
Las herramientas de corte correctamente mantenidas con los bordes de corte afilados son más fáciles de controlar, y existe menor riesgo de que se atasquen.
- g) **Utilice la herramienta eléctrica, los accesorios y las brocas de la herramienta, etc. de acuerdo con estas instrucciones, teniendo en cuenta las condiciones laborales y el trabajo que se va a realizar.**
La utilización de la herramienta eléctrica para operaciones diferentes a las previstas podría dar lugar a una situación peligrosa.
- 5) **Utilización y mantenimiento de las herramientas a batería**
- a) **Recargue solo con el cargador especificado por el fabricante.**
Un cargador adecuado para un tipo de batería podría crear peligro de incendio si se utiliza con otra batería.
- b) **Utilice herramientas eléctricas solo con baterías designadas específicamente.**
La utilización de otras baterías podría crear peligro de daños e incendio.
- c) **Cuando no se utilice la batería, manténgala alejada de otros objetos metálicos como clips de papel, monedas, llaves, clavos, tornillos u otros objetos metálicos pequeños que puedan crear una conexión entre un terminal y otro.**
Si se cortocircuitan los terminales de la batería, podrían producirse quemaduras o un incendio.
- d) **En condiciones de uso excesivo, la batería podría expulsar líquido; evite todo contacto. Si se produce un contacto accidentalmente, lávese con agua. Si entra líquido en los ojos, solicite atención médica.**
El líquido de la batería podría causar irritación o quemaduras.
- 6) **Revisión**
- a) **Solicite a un experto cualificado que revise la herramienta eléctrica y que utilice solo piezas de repuesto idénticas.**
Esto garantizará el mantenimiento de la seguridad de la herramienta eléctrica.

PRECAUCIÓN

Mantenga a los niños y a las personas enfermas alejadas. Cuando no se utilicen, las herramientas deben almacenarse fuera del alcance de los niños y de las personas enfermas.

ADVERTENCIAS DE SEGURIDAD DE LA PISTOLA DE CLAVOS DE ACABADOS/PISTOLA DE CLAVOS DE PUNTILLA SIN CABLES

1. **Asegúrese siempre de que la herramienta contiene grapas.**
Un manejo inadecuado de la pistola de clavos puede provocar el disparo accidental de los fijadores y causar lesiones personales.

2. **No apunte la herramienta hacia usted o hacia otra persona que esté cerca.**
Un disparo inesperado descargará la grapa, causando lesiones.
3. **No active la herramienta salvo que ésta esté colocada con firmeza contra la pieza de trabajo.**
Si la herramienta no está en contacto con la pieza de trabajo, el grapa podría desviarse de su objetivo.
4. **Desconecte la herramienta de la fuente de alimentación cuando la grapa se atasque en la herramienta.**
Si está enchufada, la pistola de clavos podría activarse accidentalmente mientras retira fijadores atascados.
5. **Tenga cuidado cuando retire una grapa atascada.**
El mecanismo podría estar bajo compresión y la grapa podría descargarse forzosamente al tratar de solucionar el atasco.
6. **No use la pistola de clavos para asegurar cables eléctricos.**
No está diseñada para la instalación de cables eléctricos y podría dañar el aislante de los cables eléctricos, causando una descarga eléctrica o un peligro de incendio.

ADVERTENCIAS DE SEGURIDAD ADICIONALES

1. **Emplee la herramienta correctamente para que la operación sea segura.**
Esta herramienta ha sido diseñada para clavar clavos en madera y materiales similares. Emplee la solamente para los propósitos indicados.
2. **Tenga cuidado para evitar fuegos y explosiones.**
Puesto que pueden salir disparadas chispas durante la operación de clavado, es muy peligroso emplear la herramienta cerca de lacas, pinturas, bencinas, disolventes, gasolina, adhesivos y sustancias inflamables similares puesto que podrían encenderse o explotar. Bajo ninguna circunstancia deberá emplear esta herramienta en la vecindad de tales materiales inflamables.
3. **Protéjase siempre los ojos (con unas gafas protectoras).**



Cuando opere la herramienta eléctrica, siempre protéjase los ojos y asegúrese de que las personas que puedan encontrarse en los alrededores también se los hayan protegido.

Existe una gran posibilidad de que salgan disparados fragmentos de los clavos lo que es una amenaza para los ojos. Protéjase siempre los ojos mientras opera la herramienta. Puede protegerse los ojos con unas gafas protectoras o también ponerse una máscara de visión amplia encima de gafas graduadas si es que las lleva.

- Los encargados deben siempre hacer obligatorio el empleo de protección para los ojos.
4. **Protéjase los oídos y la cabeza.**
Cuando tenga que efectuar un trabajo de clavado póngase orejeras y protección en la cabeza. También, dependiendo de las condiciones, asegúrese de que las personas que pueda haber en los alrededores también llevan orejeras y protección en la cabeza.
5. **Ponga mucha atención en los que trabajan cerca de usted.**
Sería muy peligroso si los clavos que no son clavados correctamente golpearan a otras personas. Por lo tanto, ponga siempre mucha atención a la seguridad de las personas que pueda haber en los alrededores cuando emplee la herramienta. Asegúrese siempre de que el cuerpo, manos o pies de ninguna persona estén cerca de la salida de los clavos.

6. No dirija nunca la salida de los clavos hacia ninguna persona.



De por hecho siempre que la herramienta contiene fijaciones.

Si la salida de los clavos enfoca hacia personas, podrían producirse accidentes si descarga erróneamente la herramienta. Al conectar y desconectar la batería, durante la carga de clavos o durante operaciones similares, asegúrese de que la salida de clavos no esté orientada hacia ninguna persona (incluido usted mismo). Incluso cuando no hay clavos cargados, es peligroso descargar la herramienta cuando se apunta hacia alguien, por lo que nunca debe hacerlo. No juegue nunca con ella. Respete la herramienta como método de trabajo.

7. Compruebe la palanca de empuje antes del uso.

Asegúrese de que la palanca de empuje opere correctamente. (La palanca de empuje podría ser denominada como "Seguridad"). Nunca use la pistola de clavos a menos que la palanca de empuje funcione correctamente, de lo contrario la pistola de clavos podría clavar un fijador inesperadamente. No altere ni retire la palanca de empuje, de lo contrario, la palanca de empuje será inutilizable.

8. Seleccionar el método de disparo es importante.

Lea y comprenda la sección "CÓMO USAR LA PISTOLA DE CLAVOS" en la página 105.

9. Antes de usar el producto, asegúrese de que funciona correctamente en conformidad con el contenido de "Prueba de la pistola de clavos" de la página 104.

10. Emplee solamente los clavos especificados.

No emplee nunca otros clavos que no sean los especificados y descritos en este manual de instrucciones.

11. Tenga cuidado al conectar la batería.

Cuando conecte la batería y cargue clavos, para no accionar la herramienta por error, asegúrese de lo siguiente.

- No toque el gatillo.
- No permita que el cabezal de disparo se ponga en contacto con ninguna superficie.
- Mantenga el cabezal de disparo hacia abajo. Observe estrictamente las instrucciones de arriba y asegúrese siempre de que ninguna parte de su cuerpo, manos o pies se encuentra delante de la salida de los clavos.

12. No coloque descuidadamente el dedo en el gatillo.

No coloque el dedo en el gatillo excepto cuando vaya a efectuar la operación de clavado. Si transporta la herramienta o se la pasa a alguien teniendo usted el dedo en el gatillo, podría descargar inadvertidamente un clavo causando un accidente serio.

13. Presione firmemente la salida de los clavos contra el material donde vaya a efectuar el clavado.

Cuando clave clavos, presione firmemente la salida de los clavos contra el material donde vaya a efectuar el clavado. Si la salida no está correctamente colocada, los clavos rebotarán.

14. Mantenga las manos y pies alejados del cabezal de disparo durante la operación.



Es muy peligroso si un clavo se clavase en una mano o pie por error.

15. Tenga en cuenta el retorno de la herramienta.

No acerque la parte superior de la herramienta a su cabeza, etc., durante la operación. Es muy peligroso puesto que la herramienta podría retroceder violentamente si el clavo que está siendo clavado contactara con otro clavo o grapa que ya estuviera clavado en la madera.

16. Preste atención para evitar disparos dobles a causa del retroceso.

Si permite que la palanca de empuje vuelva a entrar inintencionadamente en contacto con la pieza de trabajo después de un retroceso, podría clavar accidentalmente un fijador.

Para evitar este disparo múltiple no deseado,

- Operación intermitente (disparo por gatillo)
 - 1) Ajuste el dispositivo de conmutación en MECANISMO DE ACTUACIÓN COMPLETAMENTE SECUENCIAL.
 - 2) Pulse el gatillo rápidamente y con firmeza.
- Operación continua (disparo con palanca de empuje)
 - 1) No presione la pistola de clavos contra la madera con demasiada fuerza.
 - 2) Aleje la pistola de clavos de la madera; retrocederá después de la fijación.

17. Tenga cuidado cuando efectúe el clavado en tableros delgados o en las esquinas de la madera.

Cuando efectúe el clavado en tableros delgados, los clavos pueden traspasarlos, así como también cuando clave las esquinas de madera debido a la desviación de los clavos. En tales casos, asegúrese siempre de que no haya nadie (ni ninguna mano, pie, etc., de nadie) detrás del tablero o cerca de la madera que vaya a clavar.

18. El clavado simultáneo en ambos lados de la misma pared es peligroso.

Bajo ninguna circunstancia deberá clavar en ambos lados de una pared a la vez. Podría ser muy peligroso puesto que los clavos podrían pasar a través de la pared y causar daños personales.

19. No utilice la herramienta eléctrica sobre andamios o escaleras.

La herramienta eléctrica no deberá utilizarse para aplicaciones específicas, como por ejemplo:

- cuando el cambio de un sitio de clavado a otro implica el uso de andamiaje, escalones, escaleras, construcciones similares a una escalera, como por ejemplo, listones,
- cierre de cajas o huacales,
- fijación de sistemas de seguridad para el transporte, por ej., en vehículos y vagones

20. Retire todos los fijadores restantes y la batería de la pistola de clavos cuando:

- 1) realice el mantenimiento y la inspección;
- 2) compruebe el funcionamiento correcto de la palanca de empuje y el gatillo;
- 3) instale o desinstale la tapa de la nariz;
- 4) libere un atasco;
- 5) no esté en uso;
- 6) abandone la zona de trabajo;
- 7) la traslade a otra ubicación; y
- 8) la entregue a otra persona.

Nunca intente liberar un atasco ni reparar la pistola de clavos a menos que haya extraído la batería y todos los fijadores restantes de la pistola de clavos.

La pistola de clavos nunca debe permanecer desatendida, puesto que aquellas personas que no estén familiarizadas con la pistola de clavos podrían usarla y lesionarse.

21. Retire la batería de la pistola de clavos cuando:

- 1) cargue clavos;
- 2) gire el regulador.

22. Desconecte la batería.

Al conectar y desconectar la tapa de la nariz, desconecte la batería.

Al acoplar la tapa de la nariz accesoria a la punta de la palanca de empuje y al desacoplarla, asegúrese antes de desconectar la batería. Es muy peligroso que se dispare un clavo por error.

23. El entorno operativo para este dispositivo es de 0°C a 40°C, por lo que debe utilizarlo dentro de este rango de temperatura. El dispositivo puede fallar por debajo de 0°C y por encima de 40°C.**24. Siempre cargar la batería a una temperatura comprendida entre 0 a 40°C.**

Una temperatura inferior a 0°C causa una sobrecarga, lo que es peligroso. No puede cargarse la batería a una temperatura mayor de 40°C.

La temperatura más apropiada para cargar es la de 20 a 25°C.

25. No usar el cargador continuamente.

Cuando se completa la carga, dejar descansar el cargador por 15 minutos antes de proseguir con la carga siguiente.

26. No dejar que entre suciedad por el orificio de conexión de la batería recargable.**27. Nunca desarmar la batería recargable ni el cargador.****28. Nunca poner en cortocircuito la batería recargable.**

Al poner en cortocircuito la batería puede producir una corriente eléctrica y enorme y por consecuencia un recalentamiento, pudiendo quemar o deteriorar la batería.

29. No tirar la batería al fuego.

Si se quema la batería puede explotar.

30. El uso de una batería descargada dañará el cargador.**31. Llevar la batería al sitio de compra original en el caso de que la duración de la batería recargable sea reducida al usarse.**

No tirar la batería descargada.

32. No insertar objetos en las ranuras de ventilación del cargador.

La inserción de objetos metálicos o inflamables en dichas ranuras puede provocar descargas eléctricas o dañar el cargador.

33. NUNCA permita que imanes (o dispositivos magnéticos similares) se acerquen a la pistola de clavos, puesto que la pistola de clavos posee un sensor magnético en su interior.

Hacerlo causará un fallo o riesgos de sufrir lesiones por un funcionamiento incorrecto.

34. Reposo de la herramienta después de un funcionamiento prolongado.**35. La herramienta eléctrica está equipada con un circuito de protección de temperatura para proteger el motor. Un trabajo continuo podría ocasionar que la temperatura de la unidad se eleve, activando el circuito de protección de temperatura y deteniendo automáticamente la operación. Si esto sucede, deje que la herramienta eléctrica se enfríe antes de volver a utilizarla.****36. Este producto podría dejar de funcionar cuando se detecta una anomalía. En tales casos, compruebe los elementos que figuran en la sección "SOLUCIÓN DE PROBLEMAS" en la página 109.****37. Tenga cuidado de no romper o dar sacudidas fuertes al panel de interruptores. Podría ocasionar un problema.****38. No use el producto si la herramienta o los terminales de la batería (el soporte de la batería) están deformados.**

Instalar tal batería podría causar un cortocircuito que podría resultar en emisiones de humo o incendios.

39. Mantenga los terminales de la herramienta (soporte de la batería) libres de virutas y polvo.

○ Antes de su uso, asegúrese de que no se han acumulado virutas ni polvo en la zona de los terminales.

○ Durante el uso, intente evitar que las virutas o el polvo de la herramienta caigan sobre la batería.

○ Al suspender el funcionamiento o tras el uso, no deje la herramienta en un área donde pueda estar expuesta a las virutas o al polvo que caen.

De hacerlo, podría causar un cortocircuito que podría resultar en emisiones de humo o incendios.

ADVERTENCIAS RELATIVAS A LA BATERÍA DE LITIO

Para ampliar su duración, la batería de litio está equipada con la función de protección para detener la salida.

En los casos 1 a 3 descritos a continuación, cuando utiliza este producto, incluso si acciona el interruptor, el motor puede detenerse. No es un problema, sino el resultado de la función de protección.

1. Cuando la batería restante se agota, el motor se detiene. En este caso, cárguela inmediatamente.

2. Si la herramienta se sobrecarga, el motor puede detenerse. En este caso, suelte el interruptor de la herramienta y elimine las causas de la sobrecarga. A continuación, puede volver a utilizarla.

3. Si la batería se calienta excesivamente al realizar un trabajo de sobrecarga, la alimentación de la batería podría detenerse.

En este caso, deje de utilizar la batería y deje que se enfríe. A continuación, puede volver a utilizarla.

Asimismo, preste atención a las siguientes advertencias y precauciones.

ADVERTENCIA

Para evitar fugas de la batería, generación de calor, emisión de humo, explosiones e igniciones, preste atención a las siguientes precauciones.

1. Asegúrese de que no entran virutas o polvo en la batería.

○ Durante el trabajo, asegúrese de que no caen virutas o polvo en la batería.

○ Asegúrese de que las virutas o el polvo que caen sobre la herramienta eléctrica durante el trabajo no entran en la batería.

○ No almacene una batería sin utilizar en un lugar expuesto a virutas y polvo.

○ Antes de almacenar una batería, retire las virutas y el polvo que se hayan adherido y no la almacene junto a piezas metálicas (tornillos, clavos, etc.).

2. No perforo la batería con un objeto afilado como un clavo, no la golpee con un martillo, la pise, la tire ni la exponga a fuertes impactos físicos.

3. No utilice una batería que parezca estar dañada o deformada.

4. No utilice la batería con las polaridades cambiadas.

5. No conecte la batería directamente a salidas eléctricas ni a tomas de mechero de automóviles.

6. No utilice la batería para un fin diferente a los especificados.

7. Si la carga de la batería no finaliza ni siquiera cuando ha transcurrido el tiempo de carga especificado, detenga inmediatamente el proceso de carga.

8. No coloque o exponga la batería a temperaturas elevadas o alta presión, como en un microondas, una secadora o en un recipiente de alta presión.

9. Aléjela del fuego inmediatamente cuando se detecte una fuga o un olor raro.

10. No la utilice en un lugar donde se generen grandes cantidades de electricidad estática.

Español

11. Si se producen fugas de batería, mal olor, se genera calor, la batería está descolorida o deformada, o presenta algún tipo de funcionamiento anómalo durante su uso, recarga o almacenamiento, retírela inmediatamente del equipo o del cargador de la batería y detenga su utilización.
12. No sumerja la batería ni permita que fluya hacia el interior fluido alguno. La entrada de líquido conductivo, como agua, puede causar daños que resultarán en un incendio o una explosión. Guarde la batería en un lugar fresco y seco, lejos de materiales inflamables y combustibles. Se deben evitar atmósferas de gas corrosivo.

PRECAUCIÓN

1. Si el líquido de fuga de la batería entra en contacto con los ojos, no se los frote y lávelos bien con agua limpia como, por ejemplo, agua del grifo, y póngase en contacto con un médico inmediatamente. Si no se trata, el líquido podría causar problemas de visión.
2. Si el líquido de fuga entra en contacto con la piel o la ropa, lávela bien con agua limpia como, por ejemplo, agua del grifo, inmediatamente. Podría producir irritación cutánea.
3. Si observa óxido, mal olor, recalentamiento, decoloración, deformación u otras irregularidades al utilizar la batería por primera vez, no la utilice y devuélvala al proveedor o distribuidor.

ADVERTENCIA

Si una sustancia extraña conductiva accede al terminal de la batería de iones de litio, esta podría sufrir un cortocircuito y provocar un incendio. Cuando guarde la batería de iones de litio, asegúrese de respetar las siguientes reglas.

- No deje restos conductivos, clavos ni cables, como por ejemplo cables de hierro o de cobre, en el estuche de almacenamiento.
- Para evitar que se produzcan cortocircuitos, cargue la batería en la herramienta o fije con firmeza la tapa de la batería hasta que deje de verse el ventilador.

NOMBRES DE LAS PIEZAS (Fig. 1 – Fig. 28)

①	Cubierta superior
②	Gatillo
③	Luz LED
④	Cabezal de disparo (salida)
⑤	Palanca de empuje
⑥	Alimentador de clavos (A)
⑦	Alimentador de clavos (B)
⑧	Cámara
⑨	Gancho
⑩	Batería
⑪	Palanca de bloqueo del interruptor
⑫	Asa
⑬	Palanca de parada
⑭	Interruptor del indicador de la batería
⑮	Indicador de la batería
⑯	Interruptor de operación de clavado
⑰	Indicador de alimentación
⑱	Interruptor de alimentación
⑲	Indicador de operación de clavado
⑳	Cinta de clavos
㉑	Cubierta de la cámara
㉒	Ranura
㉓	Guía de la cuchilla
㉔	Regulador
㉕	Placa del gancho
㉖	Tapa de la nariz
㉗	Palanca de bloqueo
㉘	Placa guía

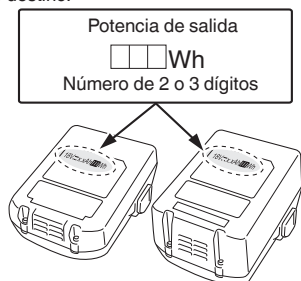
A PROPÓSITO DEL TRANSPORTE DE LA BATERÍA DE IONES DE LITIO

Al transportar una batería de iones de litio, tenga en cuenta las siguientes precauciones.

ADVERTENCIA

Notifique a la compañía de transporte que un paquete contiene una batería de iones de litio, informe a la compañía eléctrica de su potencia de salida y siga las instrucciones de la compañía de transporte al preparar su transporte.

















- Las baterías de iones de litio que superen una potencia de salida de 100 Wh se considera que son materiales peligrosos en la Clasificación de Transporte y requieren procedimientos de aplicación especiales.
- Para el transporte en el extranjero, deberá cumplir con las leyes internacionales y las normas y regulaciones del país de destino.







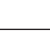





SÍMBOLOS

ADVERTENCIA

A continuación se muestran los símbolos usados para la máquina. Asegúrese de comprender su significado antes del uso.

	<p>NT 1865DBAL: Pistola de clavos de acabados sin cable</p> <p>NT 1865DBSL: Pistola de clavos de acabados sin cable</p> <p>NT 1850DBSL: Pistola de clavos de puntilla sin cable</p>
	Para reducir el riesgo de lesiones, el usuario deberá leer el manual de instrucciones.
	<p>Solo para países de la Unión Europea ¡No deseche los aparatos eléctricos junto con los residuos domésticos!</p> <p>De conformidad con la Directiva Europea 2012/19/UE sobre residuos de aparatos eléctricos y electrónicos y su aplicación de acuerdo con la legislación nacional, las herramientas eléctricas cuya vida útil haya llegado a su fin se deberán recoger por separado y trasladar a una planta de reciclaje que cumpla con las exigencias ecológicas.</p>
	Corriente continua
	Encendido
	Apagado
	Desconecte la batería
	Interruptor de alimentación
	Interruptor de alimentación apagado
	Interruptor de alimentación encendido Indicador de alimentación: Luz verde
	Interruptor de operación de clavado
	MECANISMO DE ACTUACIÓN COMPLETAMENTE SECUENCIAL
	<p>Modo de MECANISMO DE ACTUACIÓN COMPLETAMENTE SECUENCIAL</p> <p>Indicador de operación de clavado: Luz azul</p>
	MECANISMO DE ACTUACIÓN POR CONTACTO
	<p>Modo de MECANISMO DE ACTUACIÓN POR CONTACTO</p> <p>Indicador de operación de clavado: Parpadeo azul</p>
	Gatillo bloqueado

	Gatillo desbloqueado
	Interruptor del indicador de la batería
	La carga restante de la batería es suficiente Indicador de la batería: 2 luces LED (rojas)
	La carga restante de la batería se encuentra a aproximadamente la mitad. Indicador de la batería: 1 luz LED (roja)
	La carga restante de la batería está prácticamente agotada. Recargue la batería tan pronto como sea posible. Indicador de la batería: 1 luz LED (roja) parpadeando
	Póngase en contacto con HiKOKI para solicitar la inspección. Indicador de la batería: 2 luces LED parpadean en naranja, después de 10 segundos, se desactiva automáticamente el interruptor de alimentación.
	Lado poco profundo
	Lado profundo
	Advertencia
	Acción prohibida

ESPECIFICACIONES

1. Pistola de clavos de acabados sin cable

Modelo	NT1865DBAL		NT1865DBSL	
Motor	Sin escobillas CC		Sin escobillas CC	
Clavo aplicable	15 Ga (Ángulo: 34°)		16 Ga	
Longitud de clavo aplicable	32 mm a 65 mm		25 mm a 65 mm	
Capacidad de carga de clavos [clavos]	100 (1 cinta)		100 (2 cintas)	
Modo de disparo	Completamente secuencial/ contacto (seleccionable)		Completamente secuencial/ contacto (seleccionable)	
Tasa del ciclo	[clavos/segundo]	3 (intermitente)		3 (intermitente)
Batería	Modelo	BSL1830C		BSL1830C BSL1850
	Tipo	Batería de ion de litio		
	Tensión	CC 18 V		
Peso*	3,5 – 4,1 kg		3,4 – 4,0 kg	
Dimensiones Altura × Longitud × Anchura	344 mm × 300 mm × 104 mm		315 mm × 298 mm × 104 mm	315 mm × 310 mm × 104 mm

* De acuerdo al Procedimiento EPTA 01/2014

Dependiendo de la batería conectada. El peso más pesado se mide con la BSL36B18 (vendida por separado).

2. Pistola de clavos de puntilla sin cable

Modelo	NT1850DBSL		
Motor	Sin escobillas CC		
Clavo aplicable	18 Ga		
Longitud de clavo aplicable	16 mm a 50 mm		
Capacidad de carga de clavos [clavos]	100 (1 cinta)		
Modo de disparo	Completamente secuencial/contacto (seleccionable)		
Tasa del ciclo	[clavos/segundo]	3 (intermitente)	
Batería	Modelo	BSL1830C	BSL1850
	Tipo	Batería de ion de litio	
	Tensión	CC 18 V	
Peso*	3,3 – 4,0 kg		
Dimensiones Altura × Longitud × Anchura	323 mm × 298 mm × 104 mm	323 mm × 310 mm × 104 mm	

* De acuerdo al Procedimiento EPTA 01/2014

Dependiendo de la batería conectada. El peso más pesado se mide con la BSL36B18 (vendida por separado).

3. Cargador de la batería

Modelo	UC18YFSL	UC18YML2
Tensión de carga	CC 14,4 – 18 V	
Peso	0,5 kg	0,7 kg

NOTA

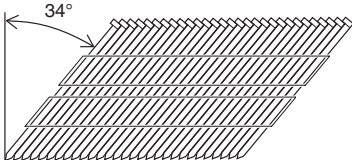
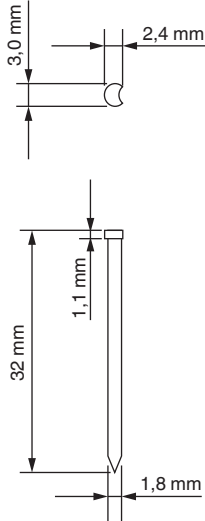

Debido al programa continuo de investigación y desarrollo de HIKOKI estas especificaciones están sujetas a cambio sin previo aviso.

SELECCIÓN DE CLAVO

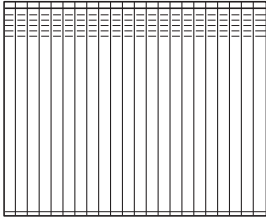
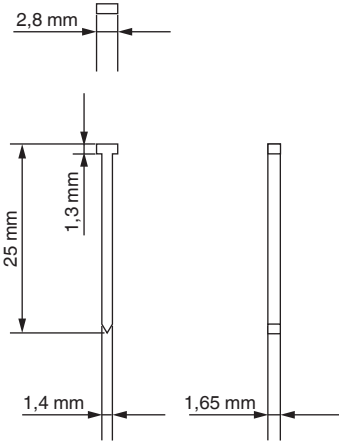

En esta pistola de clavos únicamente podrá usar los clavos indicados en la siguiente tabla.

Dimensiones de los clavos

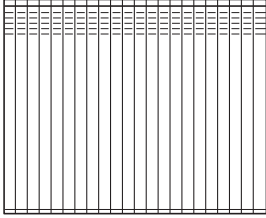
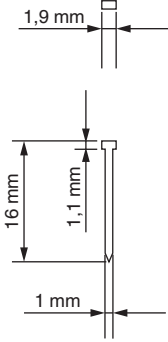

<NT1865DBAL>

	Mín.	Máx.
<p>Clavos de acabado de calibre 15 (Ángulo: 34°)</p> 		

<NT1865DBSL>

	Mín.	Máx.
<p>Clavos de acabado de calibre 16 (en línea recta)</p> 		

<NT1850DBSL>

	Mín.	Máx.
<p>Clavos de puntilla de calibre 18 (en línea recta)</p> 		
	Excluyendo clavos que midan 35 mm de longitud	

ACCESORIOS ESTÁNDAR

Además de la unidad principal (1 unidad), el paquete contiene los accesorios indicados en la página 378. Los accesorios estándar están sujetos a cambio sin previo aviso.

APLICACIÓN

<NT1865DBAL, NT1865DBSL>

- Clavado como proceso de acabado alrededor de puertas, ventanas así como bordes.
- Aseguramiento de la parte inferior de cajoneras. Creación de varias cajas y armarios.

<NT1850DBSL>

- Montaje de armarios y marcos, molduras de mobiliario.
- Molduras y recortes en casas rodantes y en instalaciones.

CARGA

Antes de utilizar la herramienta eléctrica, cargue la batería de la siguiente manera.

1. Conéctela a la fuente de alimentación (Fig. 3).

Quando cargue la batería a través de una fuente de alimentación de CA

- Enchufe el cable de alimentación del cargador a una toma de corriente de CA.
Al conectar el enchufe del cargador a una toma de corriente, la lámpara piloto parpadeará en rojo (a intervalos de un segundo).

PRECAUCIÓN

No utilice el cable de alimentación si está dañado, solicite su reparación inmediatamente.

Quando cargue la batería a través de una fuente de alimentación CC de 12 V de vehículo (UC18YML2)

- Fije el cargador de batería en el lugar correspondiente del vehículo.
Utilice la cinta incluida con el cargador de la batería para fijar el cargador de la batería en su sitio y evitar que se mueva de forma involuntaria (consulte la Fig. 28).

PRECAUCIÓN

No coloque el cargador de batería ni la batería bajo el asiento del conductor. Fije el cargador de batería en su sitio para evitar moverlo de forma involuntaria, ya que podría producirse un accidente.








Fig. 28







- Inserte el enchufe de conexión para toma de mechero en la toma de mechero.
Si el enchufe se suelta y cae de la toma de mechero, repare la toma. Como puede que la toma esté defectuosa, recomendamos que se ponga en contacto con un taller mecánico. Seguir usando la toma podría provocar un accidente provocado por un sobrecalentamiento.
2. **Inserte la batería en el cargador.**
Introduzca la batería firmemente en el cargador hasta que la línea esté visible, tal y como se indica en la Fig. 3. No se muestran líneas en el UC18YFSL. Compruebe que la batería está bien colocada.
 3. **Carga**
Cuando inserte una batería en el cargador, la carga comenzará la lámpara piloto permanecerá continuamente encendida en rojo.
Cuando la batería esté totalmente cargada, la lámpara piloto parpadeará en rojo (a intervalos de un segundo) (consulte la tabla 1).
- (1) Indicaciones de la lámpara piloto
Las indicaciones de la lámpara piloto mostradas en la tabla 1 se producirán según el estado del cargador o de la batería recargable.

Tabla 1

<UC18YFSL>

Indicaciones de la lámpara piloto				
Lámpara piloto (rojo)	Antes de la carga	Parpadea	Se enciende durante 0,5 segundos. No se enciende durante 0,5 segundos (apagada durante 0,5 segundos). 	/
	Durante la carga	Se enciende	Se enciende de forma continua 	
	Carga completa	Parpadea	Se enciende durante 0,5 segundos. No se enciende durante 0,5 segundos (apagada durante 0,5 segundos). 	
	Espera por recalentamiento	Parpadea	Se enciende durante 1 segundo. No se enciende durante 0,5 segundos (apagada durante 0,5 segundos). 	Batería recalentada. No puede cargarse (la carga comenzará cuando la batería se enfríe).
	Carga imposible	Destellos	Se enciende durante 0,1 segundos. No se enciende durante 0,1 segundos (apagada durante 0,1 segundos). 	Fallo de funcionamiento de la batería o del cargador

<UC18YML2>

Indicaciones de la lámpara piloto				
El indicador luminoso piloto se ilumina o parpadea en rojo.	Antes de la carga	Parpadea	Se enciende durante 0,5 segundos. No se enciende durante 0,5 segundos (apagada durante 0,5 segundos). 	/
	Durante la carga	Se enciende	Se enciende de forma continua 	
	Carga completa	Parpadea	Se enciende durante 0,5 segundos. No se enciende durante 0,5 segundos (apagada durante 0,5 segundos). 	
	Carga imposible	Destellos	Se enciende durante 0,1 segundos. No se enciende durante 0,1 segundos (apagada durante 0,1 segundos). 	Fallo de funcionamiento de la batería o del cargador
El indicador luminoso piloto se ilumina o parpadea en verde.	Espera por recalentamiento	Se enciende	Se enciende de forma continua 	Batería recalentada. No puede cargarse (la carga comenzará cuando la batería se enfríe).
	No es posible cargar con la fuente de alimentación de vehículo	Parpadea	Se enciende durante 0,5 segundos. No se enciende durante 0,5 segundos (apagada durante 0,5 segundos). 	El suministro de CC de 12 V es defectuoso

NOTA: Durante el periodo de espera de refrigeración de la batería, el modelo UC18YML2 refrigera la batería recalentada mediante el ventilador de refrigeración.
(Sin embargo, el ventilador de refrigerador no funciona al cargar la batería con una fuente de alimentación de vehículo CC de 12 V.)

(2) Temperatura de las baterías

Las temperaturas para las baterías recargables se muestran en la **Tabla 2**; las baterías calientes deben dejarse enfriar antes de volver a cargarlas.

Tabla 2 Márgenes de carga de las baterías

Baterías	Temperatura con la que podrá cargarse la batería
BSL1830C, BSL1850	0°C – 50°C

Español

(3) Tiempo de recarga

Dependiendo de la combinación del cargador y las baterías, el tiempo de carga será como se muestra en la **Tabla 3**.

Tabla 3 Tiempo de carga (a 20°C)
(Fuente de alimentación de CA / Fuente de alimentación de 12 VCC (del vehículo))

Batería \ Cargador	UC18YFSL	UC18YML2
BSL1830C	Aprox. 45 min	Aprox. 45 / 120 min
BSL1850	Aprox. 75 min	Aprox. 75 / 200 min

NOTA

El tiempo de carga puede variar según la temperatura ambiente y la tensión de la fuente de alimentación.

<UC18YML2>

Especialmente al usar una fuente de alimentación de vehículo CC de 12 V, el tiempo de carga podría ser mayor a alta temperatura.

PRECAUCIÓN

Si se utiliza el cargador de batería de forma continua, este se calentará y podría provocar averías. Una vez finalizada la carga, deje pasar 15 minutos hasta la siguiente.

4. Desenchufe el cable de alimentación del cargador de la toma de corriente de CA o de la toma del mechero.

5. Sostenga el cargador con firmeza y saque la batería.

NOTA

Asegúrese de extraer la batería del cargador después de usarlo y, a continuación, guárdelo.

Descarga eléctrica en caso de baterías nuevas, etc.

Como la substancia química interna de las baterías nuevas o las que no se hayan utilizado durante mucho tiempo no está activada, la descarga eléctrica puede ser inferior cuando se utilicen por primera y segunda vez. Este fenómeno es temporal, y el tiempo normal requerido para la recarga se restablecerá recargando las baterías 2 – 3 veces.

Forma de hacer que las baterías duren más

(1) Recargue las baterías antes de que se hayan agotado completamente.

Si siente que la potencia de la herramienta eléctrica se debilita, deje de utilizarla y recargue su batería. Si continuase utilizando la herramienta hasta agotar la capacidad de la batería, ésta podría dañarse y su duración útil podría acortarse..

(2) Evite realizar la recarga a altas temperaturas.

Una batería se calentará inmediatamente después de haberla utilizado. Si recargase tal batería inmediatamente después de haberla utilizado, su substancia química interna se deterioraría, y la duración útil de la batería se acortaría. Deje la batería y recárguela después de que se haya enfriado durante cierto tiempo.

PRECAUCIÓN

○ Si la batería se carga cuando está caliente porque ha permanecido durante un período de tiempo prolongado en un lugar expuesto a la luz directa del sol o porque la batería acaba de utilizarse, la lámpara piloto del cargador se enciende en verde durante un segundo, no se enciende durante 0,5 segundos (apagada durante 0,5 segundos) (UC18YFSL) o se enciende en verde. (UC18YML2). En tales casos, deje primero que se enfríe la batería e inicie luego la carga.

○ Cuando la lámpara piloto parpadee en rojo (a intervalos de 0,2 segundos), compruebe si hay objetos extraños en el conector de la batería del cargador y retírelos. Si no hay objetos extraños, es probable que la batería o el cargador funcionen incorrectamente. Llévelo a su Centro de servicio técnico autorizado.

○ Como el microprocesador incorporado tarda 3 segundos en confirmar que la batería que estaba cargándose con el UC18YFSL / UC18YML2 se ha extraído, espere 3 segundos como mínimo antes de reinsertarla para continuar cargando. Si reinserta la batería antes de 3 segundos, es posible que no se cargue adecuadamente.

○ Compruebe la tensión de la fuente de alimentación del vehículo cuando la lámpara piloto parpadee en verde (a intervalos de un segundo). (UC18YML2).

○ Si la tensión es de 12 V o inferior, indica que la batería del vehículo se ha agotado y no puede realizarse la carga.

○ Si la lámpara piloto no parpadea en rojo (cada segundo) ni siquiera cuando el enchufe de conexión del cable del cargador o del cargador de mechero se encuentran conectados a la alimentación, el circuito de protección del cargador podría haberse activado.

Desconecte el cable o el enchufe de la alimentación y, a continuación, vuelva a conectarlo transcurridos unos 30 segundos. Si tras esto la lámpara piloto no parpadea en rojo (cada segundo), lleve el cargador al Centro de servicio técnico autorizado de HiKOKI.

ANTES DEL EMPLEO

Acción	Figura	Página
Extracción e inserción de la batería	2	379
Carga	3	380
Selección de los accesorios	—	385

1. Cómo usar el panel de mando

(1) Interruptor de alimentación activado (consulte Fig. 4)

En el estado "Interruptor de alimentación desactivado", mantenga presionado el interruptor de alimentación durante más de 1 segundo; el indicador de alimentación se ilumina en verde.

NOTA

No presione la palanca de empuje ni pulse el gatillo durante el proceso de activación del interruptor de alimentación.

Hacerlo evitará que el interruptor de alimentación se active.

[Apagado automático]

Si activa la alimentación pero no usa la pistola de clavos durante 30 minutos, la pistola de clavos se apagará automáticamente. Para volver a activarla, pulse el interruptor de alimentación.

ADVERTENCIA

Nunca deje la pistola de clavos desatendida si está activada. Podría causar un accidente.

(2) Interruptor de alimentación desactivado (consulte Fig. 4)
 En el estado "Interruptor de alimentación activado", mantenga presionado el interruptor de alimentación durante más de 1 segundo; el indicador de alimentación se apaga.

En el estado de "Interruptor de alimentación activado", las siguientes funciones estarán activas.

(3) Seleccione el modo de operación de clavado (Actuación completamente secuencial/Actuación por contacto)

Después de activar el interruptor de alimentación, ajuste siempre primero el modo Actuación completamente secuencial. (El indicador de operación de clavado se ilumina en azul). (Consulte la Fig. 5).

Para cambiar el modo de operación de clavado, presione una vez el interruptor de operación de clavado. Con cada pulsación, el modo alternará entre "Completamente secuencial" y "Por contacto". (Consulte la Fig. 6).

Encendido (azul):


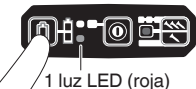
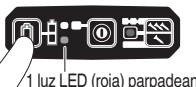
MECANISMO DE ACTUACIÓN COMPLETAMENTE SECUENCIAL,

Parpadeando (azul):

MECANISMO DE ACTUACIÓN POR CONTACTO

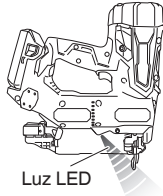

(4) Compruebe el nivel de batería restante

Al pulsar el interruptor del indicador de la batería, el indicador de la batería mostrará el nivel de batería restante mediante el estado de la luz LED tal y como se indica a continuación.

Estado del indicador	
 2 luces LED (rojas)	La carga restante de la batería es suficiente.
 1 luz LED (roja)	La carga restante de la batería se encuentra a aproximadamente la mitad.
 1 luz LED (roja) parpadeando	La carga restante de la batería está prácticamente agotada. Recargue la batería tan pronto como sea posible.

(5) Otras funciones

En caso de error de operación, las luces LED aparecen como se indica a continuación.

Estado del indicador	
 Luz LED	La máquina está demasiado fría (por debajo de -5°C) o demasiado caliente. Permita que la pistola de clavos se enfríe o caliente completamente en el estado adecuado.
La luz LED parpadea en intervalos. <ul style="list-style-type: none"> • Si el dispositivo está demasiado caliente, parpadea en intervalos de 1 segundo. • Si el dispositivo está demasiado frío, parpadea en intervalos de 0,5 segundos. Después de 10 segundos, la luz LED y el interruptor de alimentación se apagarán automáticamente.	
 2 luces LED parpadean en naranja, después de 10 segundos, se desactiva automáticamente el interruptor de alimentación.	Póngase en contacto con HiKOKI para solicitar la inspección.

(6) Cómo usar la luz LED (consulte Fig. 7)

Con el interruptor de alimentación activado, la luz LED iluminará automáticamente la parte de la punta de la herramienta.


PRECAUCIÓN



- No exponga sus ojos directamente a la luz. Si sus ojos son expuestos continuamente a la luz, podría sufrir daños oculares.
- Limpie cualquier resto de polvo o suciedad adherido al objetivo de la luz LED con un paño suave, procurando no rayar la lente. Los arañazos en la lente de la luz LED pueden resultar en una reducción de brillo.

2. Mecanismo de bloqueo del gatillo (consulte la Fig. 8) ADVERTENCIA

Asegúrese de bloquear el gatillo cuando no esté disparando clavos.

Esta pistola de clavos posee un mecanismo de bloqueo para evitar que se disparen clavos.

Ajuste la palanca de bloqueo del interruptor en la posición  para bloquear el gatillo.

Deslice la palanca de bloqueo del interruptor hacia la posición  cuando vaya a usar la pistola de clavos, y hacia la posición  cuando no vaya a usarla.

Español

3. Prueba de la pistola de clavos

ADVERTENCIA

- Asegúrese de bloquear el gatillo cuando no esté disparando clavos. (Consulte la **Fig. 8**).
- No use nunca la pistola de clavos a menos que la palanca de empuje funcione correctamente. La NT1865DBAL y NT1865DBSL utilizan un mecanismo de prevención para la operación descargada. La NT1865DBAL y NT1865DBSL entran en un estado en el cual no podrá empujar la palanca de empuje hacia arriba. Esto se produce cuando la cámara no está cargada con clavos o cuando el número restante de clavos es inferior a 6 o 9.

PRECAUCIÓN

Tenga cuidado de no proyectar la punta de la palanca de empuje hacia la madera.

Antes de comenzar a trabajar, pruebe la pistola de clavos usando la siguiente lista de comprobación. Realice las pruebas en el siguiente orden.

Si se produce un funcionamiento incorrecto, deje de usar la pistola de clavos y póngase inmediatamente en contacto con un centro de servicio autorizado HiKOKI.

(1) **RETIRE TODOS LOS CLAVOS Y LA BATERÍA DE LA PISTOLA DE CLAVOS.**

TODOS LOS TORNILLOS DEBEN ESTAR APRETADOS.

LA PALANCA DE EMPUJE Y EL GATILLO DEBEN MOVERSE SUAVEMENTE al retroceder el alimentador de clavos (B). (NT1850DBSL: No hace falta retroceder el alimentador de clavos)

(2) **Instalación de la batería.**

No accione la palanca de empuje ni el gatillo al instalar la batería. (Consulte la **Fig. 2**).

(3) **Active el interruptor de alimentación.** (Consulte la **Fig. 1**).

Active el interruptor de alimentación manteniendo pulsado el interruptor de alimentación durante más de 1 segundo.

Asegúrese de que el indicador de alimentación se ilumina en verde y que el indicador de operación de clavado se ilumina en azul. (MECANISMO DE ACTUACIÓN COMPLETAMENTE SECUENCIAL)

NOTA

No presione la palanca de empuje ni pulse el gatillo durante el proceso de activación del interruptor de alimentación.

Hacerlo evitará que el interruptor de alimentación se active.

[Apagado automático]

Si activa la alimentación pero no usa la pistola de clavos durante 30 minutos, la pistola de clavos se apagará automáticamente. Para volver a activarla, pulse el interruptor de alimentación.

ADVERTENCIA

Nunca deje la pistola de clavos desatendida si está activada. Podría causar un accidente.

Indicador de operación de clavado

Encendido (azul):

MECANISMO DE ACTUACIÓN COMPLETAMENTE SECUENCIAL,

Parpadeando (azul):

MECANISMO DE ACTUACIÓN POR CONTACTO

Asegúrese de que el indicador de la batería no parpadea. Si el indicador de la batería parpadea en rojo, la batería no tiene carga suficiente y debe ser recargada.

(4) **Retire el dedo del gatillo y presione la palanca de empuje contra la pieza de trabajo retrocediendo el alimentador de clavos (B).**

LA PISTOLA DE CLAVOS NO DEBE ACCIONARSE.

(5) **Aleje la palanca de empuje de la pieza de trabajo.**

A continuación, apunte la pistola de clavos hacia abajo, retroceda el alimentador de clavos (B), pulse el gatillo y espere en dicha posición durante un mínimo de 5 segundos.

LA PISTOLA DE CLAVOS NO DEBE ACCIONARSE.

(6) **① Sin tocar el disparador, presione la palanca de empuje contra la pieza de trabajo retrocediendo el alimentador de clavos (B).**

A continuación, pulse el gatillo.

LA PISTOLA DE CLAVOS DEBE ACCIONARSE.

② Mantenga el gatillo pulsado y presione la palanca de empuje otra vez contra la pieza de trabajo.

LA PISTOLA DE CLAVOS NO DEBE ACCIONARSE.

③ Retire el dedo del gatillo.

A continuación, **①** vuelve a accionarse.

LA PISTOLA DE CLAVOS DEBE ACCIONARSE.

(7) **Aleje la palanca de empuje de la pieza de trabajo y pulse el gatillo.**

Presione la palanca de empuje contra la pieza de trabajo en un máximo de 2 segundos.

LA PISTOLA DE CLAVOS NO DEBE ACCIONARSE.

(8) **Ajuste el indicador de operación de clavado parpadeando en el modo de activación. (MECANISMO DE ACTUACIÓN POR CONTACTO)**

Pulse una vez el interruptor de operación de clavado y asegúrese de que el indicador parpadea en azul.

Aleje la palanca de empuje de la pieza de trabajo y pulse el gatillo.

Presione la palanca de empuje contra la pieza de trabajo en un máximo de 2 segundos.

LA PISTOLA DE CLAVOS DEBE ACCIONARSE.

(9) **Si no nota ningún comportamiento anómalo, cargue los clavos en la pistola de clavos.**

Introduzca clavos en la pieza de trabajo del mismo tipo que usará en la aplicación original.

LA PISTOLA DE CLAVOS DEBE ACCIONARSE CORRECTAMENTE.

4. Comprobación de las operaciones de la palanca de empuje

ADVERTENCIA

Asegúrese de bloquear el gatillo cuando no esté disparando clavos.

Compruebe siempre que el gatillo está bloqueado y la batería retirada de la herramienta eléctrica cuando compruebe las operaciones de la palanca de empuje.

Compruebe que la palanca de empuje se desliza con suavidad cuando se utiliza.

Limpie la zona de deslizamiento de la palanca de empuje si ésta no se desliza con suavidad.

5. Carga de clavos

ADVERTENCIA

Al cargar clavos en la pistola de clavos,

1) retire la batería de la pistola de clavos;

2) no pulse el gatillo;

3) no presione la palanca de empuje; y

4) mantenga la pistola de clavos orientada hacia abajo.

<NT1865DBAL, NT1865DBSL>

2-¡Acción de alimentación de clavos!

- (1) Introduzca una cinta de clavos en la parte trasera de la cámara. (Consulte la Fig. 9).
- (2) Deslice la cinta de clavos hacia delante en la cámara. (Consulte la Fig. 10).
- (3) Pulse el alimentador de clavos (A) para acoplar el alimentador de clavos (B) en la cinta de clavos. (Consulte la Fig. 11).

NOTA

- Presione delicadamente el alimentador de clavos (A) y el alimentador de clavos (B) contra el clavo. Si el alimentador de clavos (A) y el alimentador de clavos (B) se liberan de la parte trasera de la cámara y golpean contra el clavo, es posible que el adhesivo conector del clavo sufra daños.
- Use cintas de clavos de más de 10 clavos.
- Use una cinta de clavos que no esté rota y que posea clavos de la misma longitud.

La pistola de clavos está lista para su uso.

Extracción de los clavos:

- ① Tire del alimentador de clavos (B) hacia atrás. (Consulte Fig. 12)
- ② Regrese el alimentador de clavos (B) hacia delante mientras presiona el alimentador de clavos (A).
- ③ Extraiga los clavos de la parte trasera de la cámara. (Consulte Fig. 13)

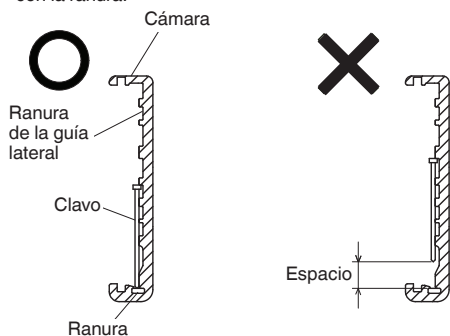
<NT1850DBSL>

- (1) Pulse ligeramente la palanca de parada y extraiga con cuidado la tapa de la cámara. (Consulte Fig. 14)
- (2) Coloque la cinta de clavos en la cámara y mantenga las puntas de los clavos en contacto con la ranura. (Consulte Fig. 15)

NOTA

Los clavos indicados en la página 100 pueden cargarse en la ranura de la guía lateral de la cámara sin necesidad de realizar ajustes.

Mantenga siempre las puntas de los clavos en contacto con la ranura.



- (3) Deslice la cinta de clavos hacia el interior de la guía de la cuchilla. (Consulte la Fig. 16).
- (4) Confirme que la cinta de clavos está colocada correctamente con las ranuras de la guía lateral y la ranura, a continuación, presione la tapa de la cámara hacia delante para bloquearla.

CÓMO USAR LA PISTOLA DE CLAVOS

ADVERTENCIA

- NUNCA oriente la herramienta hacia usted ni hacia ninguna otra persona que se encuentre en la zona.
- Mantenga los dedos ALEJADOS del gatillo cuando no clave clavos para evitar su disparo accidental.
- No utilice el cable de alimentación si está dañado. Solicite su reparación inmediatamente.
- Seleccionar el método de disparo es importante. Por favor, lea y entienda "1. Procedimientos de clavado" indicado a continuación.
- Antes de empezar a trabajar, compruebe el dispositivo de conmutación de la operación de clavado. Esta pistola de clavos de HIKOKI incluye un dispositivo de conmutación de la operación de clavado. Antes de empezar a trabajar, asegúrese de que el dispositivo de conmutación esté ajustado correctamente. Si el dispositivo de conmutación no está ajustado correctamente, la pistola de clavos no operará correctamente.

- Nunca coloque su rostro, manos o pies cerca del cabezal de disparo durante el uso.
- No clave clavos sobre otros clavos ni con la pistola de clavos en un ángulo demasiado inclinado; los clavos podrían rebotar y dañar a alguien.
- No clave clavos en tableros finos ni cerca de las esquinas y bordes de la pieza de trabajo. Los clavos podrían atravesar o salirse de la pieza de trabajo y lesionar a alguien.
- Nunca clave clavos desde ambos lados de una pared al mismo tiempo. Los clavos podrían traspasar la pared y lesionar a la persona que se encuentre en el lado opuesto.
- Nunca use una pistola de clavos defectuosa o que no funcione correctamente.
- No use la pistola de clavos a modo de martillo.
- Retire todos los fijadores restantes y la batería de la pistola de clavos cuando:
 - 1) realice el mantenimiento y la inspección;
 - 2) compruebe el funcionamiento correcto de la palanca de empuje y el gatillo;
 - 3) instale o desinstale la tapa de la nariz;
 - 4) libere una obstrucción;
 - 5) no esté en uso;
 - 6) abandone la zona de trabajo;
 - 7) la traslade a otra ubicación; y
 - 8) la entregue a otra persona.

- Retire la batería de la pistola de clavos cuando:
 - 1) cargue clavos;
 - 2) gire el regulador.

Esta pistola de clavos de HiKOKI está equipada con un dispositivo de conmutación de la operación de clavado.

Use el MECANISMO DE ACTUACIÓN COMPLETAMENTE SECUENCIAL o el MECANISMO DE ACTUACIÓN POR CONTACTO en conformidad con la tarea a realizar.

Explicación de las diversas operaciones de clavado

○ MECANISMO DE ACTUACIÓN COMPLETAMENTE SECUENCIAL:

En primer lugar, presione la palanca de empuje contra la madera; a continuación, pulse el gatillo para clavar el clavo.

Siga la misma secuencia para seguir clavando clavos. Después de clavar una vez, no será posible clavar de nuevo hasta que retire el dedo del gatillo y eleve completamente la herramienta de la superficie de la madera.

○ MECANISMO DE ACTUACIÓN POR CONTACTO:

ACTUACIÓN POR CONTACTO puede seguir dos secuencias diferentes, dependiendo de su uso.

Para clavar varios clavos:

Español

1. Apriete el gatillo.
2. Presione la palanca de empuje contra la madera para clavar un clavo.
3. Si mantiene el gatillo en dicha posición, se clavarán un clavo cada vez que presione la palanca de empuje contra la madera.

Para clavar un solo clavo:

1. Presione la palanca de empuje contra la madera.
2. Pulse el gatillo para clavar el clavo.
3. Retire su dedo del gatillo y retire la clavadora de la madera.

[Mecanismo de bloqueo de disparo en seco]

La NT1865DBAL y NT1865DBSL utilizan un mecanismo de prevención para la operación descargada.

La NT1865DBAL y NT1865DBSL entran en un estado en el cual no podrá empujar la palanca de empuje hacia arriba. Esto se produce cuando la cámara no está cargada con clavos o cuando el número restante de clavos es inferior a 6 o 9.

PRECAUCIÓN

Tenga cuidado de no orientar la punta de la palanca de empuje en la madera cuando la palanca de empuje no pueda ser presionada hacia arriba.

1. Procedimientos de clavado

Esta pistola de clavos está equipada con una palanca de empuje y no opera a menos que la palanca de empuje sea presionada.

Existen dos métodos de operación para clavar clavos con esta pistola de clavos.

Estos son:

1. Operación intermitente (disparo por gatillo):
2. Operación continua (disparo con palanca de empuje):

(1) Operación intermitente (disparo por gatillo)

Use el ajuste MECANISMO DE ACTUACIÓN COMPLETAMENTE SECUENCIAL. (Consulte la Fig. 17).

ADVERTENCIA

- Para la operación intermitente, ajuste el interruptor de operación de clavado en MECANISMO DE ACTUACIÓN COMPLETAMENTE SECUENCIAL (el indicador de operación de clavado se ilumina en azul). (es decir, ajuste en MECANISMO DE ACTUACIÓN ÚNICA).
- Para evitar disparar dos veces o de forma accidental debido al retroceso.
 - 1) Ajuste en MECANISMO DE ACTUACIÓN COMPLETAMENTE SECUENCIAL.
 - 2) Pulse el gatillo rápidamente y con firmeza.
- ① Ajuste el interruptor de operación de clavado en MECANISMO DE ACTUACIÓN COMPLETAMENTE SECUENCIAL (el indicador de operación de clavado se ilumina en azul). (para ajustar en MECANISMO DE ACTUACIÓN COMPLETAMENTE SECUENCIAL). (Ajuste el dispositivo de conmutación completamente en el modo del indicador de operación de clavado en azul como se indica en Fig. 17. De lo contrario, se ajustará en MECANISMO DE ACTUACIÓN POR CONTACTO).
- ② Coloque la salida de clavos sobre la pieza de trabajo con el dedo fuera del gatillo.
- ③ Presione la palanca de empuje firmemente hasta que esté completamente presionada.
- ④ Pulse el gatillo para clavar un clavo.
- ⑤ Retire el dedo del gatillo y aleje completamente la herramienta de la superficie de la madera.

Para continuar clavando en otra ubicación, mueva la pistola de clavos por la madera, repitiendo los pasos ② - ⑤ según sea necesario.

NOTA

Las operaciones ③ y ④ deben realizarse en intervalos de 2 segundos. Si transcurren más de 2 segundos después de ③, la pistola de clavos no funcionará correctamente. En dicho caso, reintente desde ③.

(2) Operación continua (disparo con palanca de empuje)
Usando MECANISMO DE ACTUACIÓN POR CONTACTO (consulte Fig. 18)

ADVERTENCIA

Para evitar disparar dos veces o de forma accidental debido al retroceso.

- 1) No presione la pistola de clavos contra la madera con demasiada fuerza.
 - 2) Aleje la pistola de clavos de la madera puesto que retrocederá después de clavar.
- ① Ajuste el interruptor de operación de clavado en MECANISMO DE ACTUACIÓN POR CONTACTO (el indicador de operación de clavado parpadea en azul). (para ajustar en MECANISMO DE ACTUACIÓN POR CONTACTO). (Ajuste el dispositivo de conmutación completamente en el indicador de operación de clavado parpadeando en azul como se indica en Fig. 18. De lo contrario, no funcionará correctamente).
 - ② Pulse el gatillo con la pistola de clavos fuera de la pieza de trabajo.
 - ③ Presione la palanca de empuje contra la pieza de trabajo para clavar un clavo.
 - ④ Mueva la pistola de clavos por la pieza de trabajo con movimientos de rebote. Cada pulsación de la palanca de empuje clavará un clavo.
- Cuando haya clavado el número de clavos deseado, retire el dedo del gatillo.

NOTA

Las operaciones ② y ③ deben realizarse en intervalos de 2 segundos. Si transcurren más de 2 segundos después de ②, la pistola de clavos no funcionará correctamente. En dicho caso, reintente desde ②.

ADVERTENCIA

- Mantenga el dedo alejado del gatillo excepto durante la operación de clavado; podría sufrir lesiones graves si la palanca de empuje entra accidentalmente en contacto con usted o cualquier otra persona presente en la zona de trabajo.
- Mantenga las manos y el cuerpo alejados de la zona de descarga. Esta pistola de clavos de HiKOKI podría rebotar a causa del retroceso provocado al clavar un clavo y causar que se clave accidentalmente otro clavo, ocasionando lesiones.

NOTA

- Si respeta todas las advertencias e instrucciones, podrá obtener un funcionamiento seguro con los dos sistemas: MECANISMO DE ACTUACIÓN COMPLETAMENTE SECUENCIAL, MECANISMO DE ACTUACIÓN POR CONTACTO.
- Manipule siempre los clavos y el paquete con cuidado. Si los clavos se caen, el sello entremedias podría romperse, causando atascos y una alimentación incorrecta.
- Después clavar:
 - 1) retire la batería de la pistola de clavos;
 - 2) retire todos los clavos de la pistola de clavos;
- 2. **Ajuste de la profundidad de clavado**

Para garantizar que los clavos penetren a la misma profundidad, asegúrese de que la pistola de clavos esté siempre sujeta con firmeza contra la pieza de trabajo. Si clava los clavos con demasiada o insuficiente profundidad en la pieza de trabajo, ajuste el clavado en el siguiente orden.

 - ① Retire la batería de la pistola de clavos.
 - ② Si los clavos se clavan demasiado profundamente, gire el regulador hacia el lado poco profundo. (Consulte la Fig. 19).

Los ajustes se realizan en incrementos de media vuelta. Si los clavos se clavan poco profundamente, gire el regulador hacia el lado profundo. (Consulte la Fig. 20).
 - ③ Deje de girar el regulador cuando haya logrado la posición adecuada durante la prueba de clavado.

MANTENIMIENTO E INSPECCIÓN

PRECAUCIÓN

Asegúrese de retirar los fijadores restantes y la batería de la pistola de clavos antes de proceder con el mantenimiento y la inspección.

1. Inspección de la cámara

- ① Retire la batería de la pistola de clavos.
- ② Limpie la cámara. Elimine el polvo y las virutas de madera que puedan haberse acumulado en la cámara.

PRECAUCIÓN

Compruebe que el alimentador de clavos se deslice suavemente tirando del él con el dedo. Si no se desliza suavemente, los clavos podrían clavarse en ángulos irregulares y causar lesiones.

2. Inspección de los tornillos de montaje

Inspeccione con regularidad todos los tornillos de montaje y asegúrese de que estén bien apretados. Si hay algún tornillo suelto, apriételo inmediatamente. No hacerlo podría provocar riesgos graves.

3. Mantenimiento del motor

El bobinado de la unidad del motor es el auténtico corazón de la herramienta eléctrica. Tenga el máximo cuidado posible para asegurarse de que el bobinado no se dañe ni se moja con aceite o agua.

4. Inspección de los terminales (herramienta y batería)

Compruebe para asegurarse de que no se han acumulado virutas ni polvo en los terminales. En ocasiones verifique antes, durante y después de la operación.

PRECAUCIÓN

Retire las virutas o el polvo que pudiera haberse acumulado en los terminales.

De lo contrario puede producirse un fallo en el funcionamiento.

5. Limpieza del exterior

Cuando la herramienta esté sucia, límpiela con un trapo seco y suave o con un paño humedecido en agua jabonosa. No utilice disolventes clóricos, gasolina o disolventes para pinturas ya que estos deforman los materiales plásticos.

6. Conservación

Guarde la herramienta en un lugar en el que la temperatura sea inferior a 40°C y fuera del alcance de los niños.

NOTA

Almacenamiento de baterías de iones de litio
Compruebe que las baterías de iones de litio se hayan cargado completamente antes de almacenarlas.

Un almacenamiento prolongado de las baterías (3 meses o más) con poca carga podría deteriorar su funcionamiento, reduciendo en gran medida el tiempo de uso de la batería o haciendo que las baterías no puedan mantener una carga.

No obstante, la reducción en gran medida del tiempo de uso de la batería puede recuperarse si se carga y utiliza de dos a cinco veces.

Si el tiempo de uso de la batería es extremadamente corto a pesar de haber cargado y utilizado la batería varias veces, deberá considerarla agotada y comprar una nueva.

PRECAUCIÓN

En el manejo y el mantenimiento de las herramientas eléctricas, se deberán observar las normas y reglamentos vigentes en cada país.

- ④ Conecte la batería a la pistola de clavos.
USE SIEMPRE GAFAS DE SEGURIDAD.
Realice una prueba de clavado.
- ⑤ Retire la batería de la pistola de clavos.
- ⑥ Seleccione una posición adecuada para el regulador.

3. Uso del gancho (consulte Fig. 21, 22, 23)

ADVERTENCIA

Al usar el gancho, desactive el interruptor de alimentación (luz verde "OFF"). Preste especial atención de modo que el equipo principal no caiga. Si la herramienta se cae, existe el riesgo de causar accidentes.

El gancho puede instalarse en el lado izquierdo o derecho. (excluyendo la NT1865DBAL)

- ① Retire la batería, a continuación quite todos los clavos restantes de la recámara.
- ② Sostenga firmemente la unidad principal y retire el tornillo usando un destornillador. (Consulte Fig. 21)
- ③ Retire el gancho y la placa del gancho. (Consulte Fig. 22)
- ④ Instale el gancho en el otro lado y asegure firmemente con el tornillo. (Consulte Fig. 23)

NOTA

El gancho puede usarse como colgador.

4. Uso de la tapa de la nariz (consulte Fig. 24, 25)

ADVERTENCIA

Al instalar o desinstalar la tapa de la nariz, asegúrese de retirar su dedo del gatillo y retire todos los fijadores restantes y la batería de la pistola de clavos.

Si desea proteger la superficie de la pieza de trabajo contra arañazos o marcas causados por la palanca de empuje, instale la tapa de la nariz accesorio en la palanca de empuje.

- ① Retire todos los fijadores restantes y la batería de la pistola de clavos.
- ② Coloque la tapa de la nariz en la punta de la palanca de empuje.
- ③ La tapa de la nariz está marcada para indicar el punto de salida del clavo, facilitando el alineamiento.
- ④ Cuando no vaya a usar la tapa de la nariz, guárdela en el compartimento de almacenamiento ubicado en la parte posterior de la cámara.

NOTA

La tapa de la nariz podría reducir la profundidad del clavado a causa de su grosor. Es necesario reajustar la profundidad de clavado.

5. Liberación de un atasco

Si los clavos se atascan en el cabezal de disparo, retírelo y ajuste el clavado en el orden siguiente.

PRECAUCIÓN

Retire la batería de la pistola de clavos.

- ① Retire la batería de la pistola de clavos.
- ② Retire todos los clavos.
- ③ Libere la palanca de bloqueo y abra la placa guía. (Consulte la Fig. 26).
- ④ Retire el clavo atascado con un destornillador de punta plana. (Consulte la Fig. 27).

PRECAUCIÓN

- NUNCA golpee la cuchilla impulsora.
- NUNCA apunte la herramienta hacia usted ni hacia ninguna otra persona para evitar lesiones a causa de disparos no intencionados.
Incluso si la batería está extraída de la pistola de clavos, sigue teniendo energía de aire comprimido en el interior.
- ⑤ Cierre la placa guía y bloquee.

NOTA

En caso de atascos frecuentes, póngase en contacto con un centro de servicio autorizado de HIKOKI.

Aviso importante sobre las baterías de las herramientas eléctricas a batería de HIKOKI

Utilice siempre una de nuestras baterías genuinas. No podemos garantizar la seguridad y el funcionamiento de nuestra herramienta eléctrica a batería cuando se utiliza con baterías diferentes a las indicadas por nosotros, o cuando la batería se desmonta y modifica (como cuando se desmontan y sustituyen celdas u otras piezas internas).

GARANTÍA

Las herramientas eléctricas de HIKOKI incluyen una garantía conforme al reglamento específico legal/nacional. Esta garantía no cubre los defectos o daños debidos al uso incorrecto, el uso excesivo ni tampoco los provocados por el desgaste normal. En caso de reclamación, envíe la herramienta eléctrica, sin desmontar y con el CERTIFICADO DE GARANTÍA que aparece al final de estas instrucciones de uso, al Centro de servicio autorizado de HIKOKI.

Información sobre el ruido

Valores de la característica de ruido de acuerdo con la norma EN 60745:

Nivel de potencia de sonido de un evento de ponderación

A típica $L_{WA,1s,d} = 92$ dB

Nivel de presión de sonido de emisión de un evento de ponderación A típica en el lugar de trabajo

$L_{pA,1s,d} = 81$ dB

Incertidumbre KpA: 3 dB

Estos valores son los valores característicos relacionados con la herramienta y no representan el desarrollo del ruido en el lugar de empleo. El desarrollo de ruido en el lugar de empleo dependerá del ambiente de trabajo, pieza de trabajo, soporte de la pieza, número de operaciones de clavado, etc.

Dependiendo de las condiciones del lugar de trabajo y de la forma de la pieza de trabajo, deberán llevarse a cabo medidas de atenuación de ruido individuales, tales como la colocación de las piezas de trabajo en soportes amortiguadores de ruido, prevención de vibraciones de la pieza de trabajo mediante sujeción o cobertura, etc.

En casos especiales será necesario llevar puesto un equipo de protección en los oídos.

Información sobre las vibraciones

El valor característico de vibraciones típico de acuerdo con la norma EN 60745: 2,6 m/s².

Incertidumbre K = 1,5 m/s²

Estos valores son valores característicos relacionados con la herramienta y no representan la influencia en el sistema de armado a mano cuando se emplea la herramienta. La influencia en el sistema de armado a mano al emplear la herramienta dependerá de la fuerza de sujeción, fuerza de presión de contacto, dirección del trabajo, ajuste de suministro de energía, pieza de trabajo, soporte de la pieza de trabajo, etc.

El valor total de vibración declarado se ha medido según un método de prueba estándar, y permite comparar unas herramientas con otras.

También resulta útil para llevar a cabo evaluaciones preliminares de exposición.

ADVERTENCIA

- La emisión de vibración durante la utilización real de la herramienta eléctrica puede ser diferente del valor total declarado en función de las formas de utilización de la herramienta.
- Identifique las medidas de seguridad para proteger al operador basadas en una estimación de exposición en condiciones reales de uso (teniendo en cuenta todas las partes del ciclo de funcionamiento, como tiempos durante los que la herramienta está apagada y durante los que funciona lentamente, además del tiempo de activación).

NOTA

Debido al programa continuo de investigación y desarrollo de HIKOKI, estas especificaciones están sujetas a cambio sin previo aviso.

Tabla de mantenimiento

ACCIÓN	MOTIVO	MODO
Limpie la cámara y el mecanismo alimentador.	Para evitar un atasco.	Limpiando con aire a diario.
Mantenga la palanca de empuje en perfecto estado de funcionamiento.	Para promover la seguridad del operario y la operación eficaz de la pistola de clavos.	Limpiando con aire a diario.

SOLUCIÓN DE PROBLEMAS

Utilice las inspecciones en la tabla inferior si la herramienta no funciona con normalidad. Si esto no soluciona el problema, póngase en contacto con su distribuidor local o con el centro de servicio autorizado de HiKOKI.

PROBLEMA	MÉTODO DE COMPROBACIÓN	CORRECCIÓN
El interruptor de alimentación no se enciende. Se enciende una vez pero se apaga automáticamente.	Carga de la batería baja.	Cargue la batería.
	Componentes electrónicos internos dañados.	Póngase en contacto con HiKOKI para solicitar el recambio.
	¿Están la palanca de empuje y/o el gatillo activados?	Mantenga la palanca de empuje y el gatillo desactivados.
	¿No funciona durante 30 minutos? (Función de desactivación automática)	Mantenga presionado el interruptor de alimentación durante más de 1 segundo para activar.
La pistola de clavos no funciona (Interruptor de alimentación activado).	Pistola de clavos no presionada correctamente contra la pieza de trabajo.	Mantenga la pistola de clavos firmemente y presione completamente contra la pieza de trabajo.
	El gatillo no está suficientemente apretado.	Pulse el gatillo firmemente.
	Han transcurrido más de 2 segundos desde la activación de la palanca de empuje hasta la activación del gatillo (o desde la activación del gatillo hasta la activación de la palanca de empuje).	Asegúrese de que transcurran menos de 2 segundos entre la activación de la palanca de empuje y la activación del gatillo (o entre la activación del gatillo y la activación de la palanca de empuje).
	Mecanismo preventivo activado. (Sin clavos o pocos fijadores restantes) (excluyendo la NT1850DBSL)	Vuelva a cargar los clavos en la cámara.
	La palanca de bloqueo del interruptor (función de bloqueo del gatillo) está en la posición "ON".	Ajuste la palanca de bloqueo del interruptor en la posición "OFF". (Consulte Fig. 8)
	La máquina está demasiado fría (por debajo de -5°C) o demasiado caliente. (La luz LED parpadea en intervalos regulares y el interruptor de alimentación se apaga después de 10 segundos). (Consulte la página 103)	Permita que la pistola de clavos se enfríe o caliente completamente en el estado adecuado.
	Componentes electrónicos internos dañados.	Póngase en contacto con HiKOKI para solicitar el recambio.
La pistola de clavos funciona pero no salen clavos.	La cámara está sucia.	Sople y limpie la cámara.
	Compruebe si hay atascos.	Liberación de atascos (consulte Fig. 26, 27).
	¿Cuchilla impulsora desgastada o dañada?	Póngase en contacto con HiKOKI para solicitar el recambio.
	¿Muelle de la cinta debilitado o dañado?	Sustituya el muelle de la cinta.
	¿Alimentador de clavos dañado?	Sustituya el alimentador de clavos.
	Compruebe si está usando los clavos correctos.	Utilice solamente clavos recomendados.

PROBLEMA	MÉTODO DE COMPROBACIÓN	CORRECCIÓN
Accionamiento débil. Ciclo lento.	Compruebe la posición del regulador de ajuste de la profundidad de clavado.	Reajuste en conformidad con Fig. 19, 20.
	¿Cuchilla impulsora desgastada?	Póngase en contacto con HiKOKI para solicitar el recambio.
	La presión del aire comprimido es baja.	Póngase en contacto con HiKOKI para solicitar el recambio.
	Componentes electrónicos internos dañados.	Póngase en contacto con HiKOKI para solicitar el recambio.
Clava demasiado profundo.	Compruebe la posición del regulador de ajuste de la profundidad de clavado.	Reajuste en conformidad con Fig. 19, 20.
Se omiten clavos. Alimentación intermitente.	Compruebe si está usando los clavos correctos.	Utilice solamente clavos recomendados.
	¿Alimentador de clavos dañado?	Sustituya el alimentador de clavos.
	¿Muelle de la cinta debilitado o dañado?	Sustituya el muelle de la cinta.
	¿Cuchilla impulsora desgastada o dañada?	Póngase en contacto con HiKOKI para solicitar el recambio.
Atasco de clavos. Los clavos introducidos están doblados.	Compruebe si está usando los clavos correctos.	Utilice solamente clavos recomendados.
	¿Cuchilla impulsora desgastada o dañada?	Póngase en contacto con HiKOKI para solicitar el recambio.

AVISOS GERAIS DE SEGURANÇA PARA A FERRAMENTA ELÉTRICA

⚠ AVISO

Leia todos os avisos de segurança e todas as instruções

Se não seguir todas as instruções e os avisos, pode provocar um choque elétrico, incêndio e/ou ferimentos graves.

Guarde todos os avisos e instruções para referência futura.

O termo “ferramenta elétrica” em todos os avisos refere-se à sua ferramenta ligada à corrente (com fios) ou à ferramenta elétrica de bateria (sem fios).

1) Segurança da área de trabalho

- a) Mantenha a área de trabalho limpa e bem iluminada.

As áreas escuras ou cheias de material são propícias aos acidentes.

- b) Não trabalhe com ferramentas elétricas em ambientes explosivos, tais como na presença de líquidos inflamáveis, gases ou pó.

As ferramentas elétricas criam faíscas que podem incendiar o pó dos fumos.

- c) Mantenha as crianças e outras pessoas afastadas quando trabalhar com uma ferramenta elétrica.

As distrações podem fazer com que perca controlo.

2) Segurança elétrica

- a) As fichas da ferramenta elétrica devem corresponder à tomada. Nunca modifique a ficha.

Não utilize fichas adaptadoras com ferramentas elétricas ligadas à terra.

As fichas não modificadas e tomadas correspondentes reduzirão o risco de choques elétricos.

- b) Evite contacto corporal com superfícies ligadas à terra, tais como tubos, radiadores, máquinas e frigoríficos.

Existe um risco acrescido de choques elétricos se o seu corpo estiver ligado à terra.

- c) Não exponha ferramentas elétricas à chuva ou condições de humidade.

A entrada de água numa ferramenta elétrica aumentará o risco de choques elétricos.

- d) Não abuse do fio. Nunca utilize o fio para transportar, puxar ou desligar a ferramenta elétrica.

Mantenha o fio afastado do calor, óleo, margens afiadas ou peças em movimento.

Os fios danificados ou entrelaçados podem aumentar o risco de choques elétricos.

- e) Quando trabalhar com uma ferramenta elétrica no exterior, utilize uma extensão adequada para utilização exterior.

A utilização de um fio adequado para utilização no exterior reduz o risco de choques elétricos.

- f) Se não for possível evitar a utilização de uma máquina elétrica num local húmido, utilize uma fonte de alimentação protegida por um dispositivo de corrente residual (RCD).

A utilização de um RCD reduz o risco de choques elétricos.

3) Segurança pessoal

- a) Mantenha-se alerta, esteja atento ao que está a fazer e utilize o bom senso ao trabalhar com uma ferramenta elétrica.

Não utilize uma ferramenta elétrica quando estiver cansado ou sob a influência de drogas, álcool ou medicamentos.

Um momento de desatenção enquanto trabalha com ferramentas elétricas pode resultar em ferimentos pessoais graves.

- b) Utilize equipamento de proteção pessoal. Utilize sempre proteção para os olhos.

O equipamento de proteção, tal como uma máscara de pó, sapatos de segurança anti-derrapantes, capacete ou proteção auricular utilizados para condições adequadas reduzirá os ferimentos pessoais.

- c) Evite arranques acidentais. Certifique-se de que o interruptor está na posição de desligado antes de ligar a fonte de alimentação e/ou bateria, levantar ou transportar a ferramenta.

Transportar ferramentas elétricas com o dedo no interruptor ou ativar ferramentas que estão com o interruptor ligado é propício a acidentes.

- d) Remova qualquer chave de parafusos ou chave-inglesa de regulação antes de ligar a ferramenta.

Uma chave-inglesa ou de parafusos ligada à parte rotativa da ferramenta pode provocar ferimentos pessoais.

- e) Não se estique. Mantenha sempre o controlo e equilíbrio adequados.

Isto permite obter um melhor controlo da ferramenta em situações inesperadas.

- f) Vista-se adequadamente. Não use roupas largas ou joias. Mantenha o cabelo e luvas afastados das peças móveis.

As roupas largas, joias ou cabelo comprido podem ficar presos nas peças móveis.

- g) Se forem fornecidos dispositivos para a ligação de extratores de pó e dispositivos de recolha, certifique-se de que estes estão ligados e são utilizados adequadamente.

A utilização de uma recolha de pó pode reduzir os perigos relacionados com o pó.

4) Utilização da ferramenta e manutenção

- a) Não force a ferramenta elétrica. Utilize a ferramenta correta para a sua aplicação.

A ferramenta correta fará o trabalho melhor e com mais segurança à velocidade para a qual foi concebida.

- b) Não utilize a ferramenta elétrica se o interruptor não a ligar ou desligar.

Qualquer ferramenta que não possa ser controlada com o interruptor é perigosa e deve ser reparada.

- c) Desligue a ficha da fonte de alimentação e/ou da bateria da ferramenta elétrica antes de efetuar quaisquer regulações, mudar os acessórios ou armazenar ferramentas elétricas.

Tais medidas de segurança de prevenção reduzem o risco de ligar a ferramenta elétrica acidentalmente.

- d) Armazene as ferramentas elétricas fora do alcance das crianças e não permita que pessoas não familiarizadas com a ferramenta elétrica ou com estas instruções utilizem a ferramenta.

As ferramentas elétricas são perigosas nas mãos de utilizadores inexperientes.

- e) Efetue a manutenção das ferramentas elétricas. Verifique a existência de desalinhamentos ou dobragens das peças móveis, quebras de peças e quaisquer outras condições que possam afetar o funcionamento da ferramenta elétrica.

Se danificada, mande reparar a ferramenta antes de utilizar.

Muitos acidentes são causados por ferramentas com má manutenção.

Português

- f) **Mantenha as ferramentas de corte afiadas e limpas.**
As ferramentas de corte com uma manutenção adequada e extremidades afiadas são menos propensas a dobrar e mais fáceis de controlar.
- g) **Utilize a ferramenta elétrica, acessórios e brocas de ferramentas, etc., de acordo com estas instruções, tendo em consideração as condições de trabalho e o trabalho a ser efetuado.**
A utilização de uma ferramenta elétrica para operações diferentes das previstas pode resultar numa situação perigosa.
- 5) **Utilização e manutenção da ferramenta com bateria**
- a) **Recarregue apenas com o carregador especificado pelo fabricante.**
Um carregador que seja adequado para um tipo de bateria pode criar um risco de incêndio quando utilizado com outra bateria.
- b) **Utilize ferramentas elétricas apenas com as baterias especialmente concebidas.**
A utilização de quaisquer outras baterias pode criar um risco de ferimentos e incêndios.
- c) **Quando não estiver a ser utilizada uma bateria, mantenha-a afastada de outros objetos metálicos, tais como cliques de papel, moedas, chaves, pregos, parafusos ou outros objetos metálicos pequenos que possam fazer uma ligação de um terminal para o outro.**
Provocar um curto-circuito dos terminais da bateria pode causar queimaduras ou um incêndio.
- d) **Em condições abusivas, poderá ser ejetado líquido da bateria. Evite o contacto. Se ocorrer um contacto accidental, lave com água. Se o líquido entrar em contacto com os olhos, procure ajuda médica.**
O líquido ejetado da bateria poderá provocar irritações ou queimaduras.
- 6) **Manutenção**
- a) **Faça a manutenção da sua ferramenta elétrica por um pessoal de reparação qualificado e utilize apenas peças de substituição idênticas.**
Isto garantirá que a segurança da ferramenta elétrica é mantida.
4. **Desligue a ferramenta da fonte de alimentação quando o fixador encrava na ferramenta.**
Ao remover um prego encravado, a pistola de pregos pode ser ativada acidentalmente se estiver ligada à tomada.
5. **Tenha cuidado ao remover um fixador encravado.**
O mecanismo pode estar sob compressão e o fixador pode ser forçado a descarregar ao tentar resolver uma condição de encravamento.
6. **Não utilize esta pistola de pregos para prender cabos elétricos.**
Não foi concebido para a instalação de cabos eléctricos e pode danificar o isolamento dos cabos eléctricos, causando choques eléctricos ou perigos de incêndio.

AVISOS DE SEGURANÇA ADICIONAIS

1. **Operação segura através de uma utilização correcta.**
Esta ferramenta foi concebida para pregar em madeira ou em materiais semelhantes. Utilize-a apenas para o fim a que se destina.
2. **Tenha cuidado com incêndios e explosões.**
Uma vez que se podem produzir faíscas enquanto se utiliza a ferramenta, é perigoso utilizar esta ferramenta perto de verniz, tinta, benzina, diluente, gasolina, gásóleo, adesivos e substâncias inflamáveis semelhantes, uma vez que estas podem incendiar ou explodir. Em resumo, esta ferramenta não deve, sob quaisquer circunstâncias, ser utilizada nas proximidades dos referidos materiais inflamáveis.
3. **Usar sempre protecção ocular (óculos de protecção).**



Quando utilizar a ferramenta eléctrica, use sempre protecção ocular e certifique-se de que as pessoas na área circundante também estão a usar protecção ocular.

A possibilidade de entrada de fragmentos de pregos que não tenham sido devidamente pregados constitui uma ameaça à visão. O equipamento de protecção ocular pode ser adquirido em qualquer loja de equipamento de segurança. Use sempre protecção ocular quando utilizar esta ferramenta. Utilize óculos ou máscara de protecção sobre os óculos de correcção da visão.

A entidade patronal deve estabelecer a obrigação de uso de equipamento de protecção.

4. **Proteger os ouvidos e a cabeça.**
Quando estiver a pregar use tampões nos ouvidos e capacete de protecção. Do mesmo modo, dependendo das condições, certifique-se de que as pessoas na área circundante também estejam a usar tampões nos ouvidos e capacete de protecção.
5. **Prestar atenção às pessoas que estão a trabalhar na área circundante.**
Seria extremamente perigoso se os pregos incorrectamente pregados atingissem as outras pessoas.
Por isso, preste sempre atenção à segurança das pessoas que o rodeiam quando utilizar esta ferramenta. Certifique-se sempre de que a saída de pregos não se encontra perto do corpo, das mãos ou dos pés de alguém.

AVISOS DE SEGURANÇA DA PISTOLA DE PREGOS DE ACABAMENTO / PISTOLA DE PREGOS FINOS SEM FIOS

1. **Presuma sempre que a ferramenta contém fixadores.**
O manuseamento descuidado da pistola de pregos pode resultar em disparo inesperado dos pregos e lesões pessoais.
2. **Não aponte a ferramenta na sua direcção ou na direcção de outras pessoas.**
O disparo inesperado irá descarregar o fixador, causando um ferimento.
3. **Não ligue a ferramenta a menos que esteja colocada com firmeza contra a peça de trabalho.**
Se a ferramenta não estiver em contacto com a peça de trabalho, o fixador pode desviar-se do alvo.

6. Nunca apontar a saída de pregos em direcção às pessoas.



Parta sempre do princípio que a ferramenta possa estar carregada com pregos.

Se a saída de pregos for apontada em direcção às pessoas, podem ser causados acidentes graves se ocorrer uma descarga involuntária da ferramenta. Ao conectar e desconectar a bateria durante o carregamento de pregos ou operações semelhantes, certifique-se de que a saída de pregos não está apontada para ninguém (incluído o operador). Mesmo quando não existirem pregos carregados, é perigoso descarregar a ferramenta quando esta se encontrar apontada em direcção a alguém, por isso, nunca tente fazê-lo. Não corra riscos. Respeite a ferramenta enquanto instrumento de trabalho que é.

7. Certifique-se de empurrar a alavanca de pressão antes da utilização.

Certifique-se de que a alavanca de pressão funciona corretamente. (A alavanca de pressão pode ser chamada “Segurança”.) Nunca utilize a Pistola de Pregos a menos que a alavanca de pressão esteja a funcionar adequadamente; caso contrário, a Pistola de Pregos pode disparar um prego inesperadamente. Não altere nem remova a alavanca de pressão, caso contrário a alavanca de pressão fica inoperável.

8. A escolha do método de disparo é importante.

Leia e compreenda a secção intitulada “COMO UTILIZAR A PISTOLA DE PREGOS” na página 124.

9. Antes de utilizar este produto, certifique-se de que este funciona adequadamente de acordo com os conteúdos de “Testar a pistola de pregos” na página 122.

10. Utilizar apenas os pregos especificados.

Nunca utilize pregos que não os especificados e descritos nestas instruções.

11. Ter cuidado ao ligar a bateria.

Ao ligar a bateria e carregar pregos para não disparar a ferramenta involuntariamente, tenha em conta os seguintes aspectos.

- Não toque no gatilho.
- Não permita que a cabeça de disparo entre em contacto com qualquer superfície.
- Mantenha a cabeça de disparo para baixo. Respeite com rigor as instruções acima indicadas e certifique-se sempre de que a saída de pregos não está apontada para o corpo, para as mãos ou para as pernas.

12. Não colocar o dedo no gatilho distraidamente.

Não coloque o dedo no gatilho, excepto quando pretender pregar pregos. Se transportar esta ferramenta ou a entregar a alguém mantendo o dedo no gatilho, pode descarregar involuntariamente um prego e causar um acidente.

13. Premir firmemente a saída de pregos contra o material a pregar.

Ao pregar, prima a saída de pregos firmemente contra o material a pregar. Se a saída não for devidamente aplicada, os pregos podem ressaltar.

14. Manter as mãos e os pés afastados da cabeça de disparo durante a utilização.



É muito perigoso que um prego atinja as mãos ou os pés involuntariamente.

15. Ter cuidado com o recuo da ferramenta.

Não aproxime a parte de cima da ferramenta da cabeça, etc. durante a utilização. Este procedimento é perigoso pois a ferramenta pode recuar com violência se o prego que está a pregar entrar em contacto com um prego aplicado anteriormente ou um nó da madeira.

16. Tenha cuidado com o disparo duplo devido ao coice causado.

Se for permitido que a alavanca de pressão volte a entrar em contacto não intencional com a peça de trabalho após o coice, será disparado um prego indesejado.

Para evitar este duplo disparo indesejável,

- Operação intermitente (Disparo por gatilho)
 - 1) Defina o dispositivo de comutação para MECANISMO DE ATUAÇÃO SEQUENCIAL COMPLETA.
 - 2) Puxe o gatilho rapidamente e com firmeza.
- Operação Contínua (Disparo por alavanca de pressão)
 - 1) Não pressione a pistola de pregos contra a madeira com demasiada força.
 - 2) Separe a pistola de pregos da madeira quando ocorrer o coice após o disparo.

17. Tenha cuidado ao pregar tábuas finas ou cantos de madeira.

Ao pregar tábuas finas ou cantos de madeira, os pregos podem perfurar imediatamente devido ao respectivo desvio. Nesses casos, certifique-se sempre de que não se encontra ninguém (nem as mãos nem os pés, etc.) por trás da tábuas finas ou junto à madeira que está prestes a pregar.

18. Pregar simultaneamente em ambos os lados da mesma parede é perigoso.

Nunca se deve, sob qualquer circunstância, pregar simultaneamente em ambos os lados da mesma parede. Este procedimento é muito perigoso, pois os pregos podem passar através da parede e provocar ferimentos.

19. Não utilizar a ferramenta eléctrica em andaimes, escadotes.

A ferramenta eléctrica não deve ser utilizada para aplicações específicas, tais como:

- alteração de uma localização de trabalho para outra que envolva a utilização de andaimes, escadotes ou estruturas semelhantes, por exemplo, para pregar ripas de telhado;
- fechar caixas ou embalagens;
- montagem de sistemas de segurança para transporte, por exemplo, em veículos

20. Retire todos os pregos restantes e a bateria da pistola de pregos quando:

- 1) fizer a manutenção e inspeção;
- 2) verificar a operação correta da alavanca de pressão e do gatilho;
- 3) colocar ou retirar a tampa do nariz;
- 4) eliminar um encravamento;
- 5) não estiver a ser utilizada;
- 6) deixar a área de trabalho;
- 7) a deslocar para outro local; e
- 8) a entregar a outra pessoa.

Nunca tente reparar ou eliminar um encravamento da Pistola de Pregos a não ser que tenha removido a bateria e os restantes pregos da Pistola de Pregos.

A Pistola de Pregos nunca deve ser deixada sem vigilância, uma vez que pessoas que não estejam familiarizadas com a Pistola de Pregos podem manuseá-la e ferir-se.

21. Retire a bateria da pistola de pregos quando:

- 1) carregar pregos;
- 2) rodar o regulador.

22. Desconecte a bateria.

Quando colocar e remover a tampa da extremidade, desligue a bateria.

Quando instalar e remover a tampa da extremidade do acessório da alavanca de pressão, certifique-se de que desliga antecipadamente a bateria. É muito perigoso quando um prego é disparado acidentalmente.

Português

23. O ambiente operacional para este dispositivo corresponde ao intervalo entre 0°C e 40°C, por isso, a ferramenta só deve ser utilizada de acordo com este intervalo de temperatura. O dispositivo pode não funcionar em temperaturas inferiores a 0°C ou superiores a 40°C.
24. Carregar sempre a bateria a uma temperatura ambiente entre 0 e 40°C.
Uma temperatura inferior a 0°C pode provocar uma sobrecarga perigosa. A bateria não pode ser carregada a uma temperatura superior a 40°C.
A temperatura mais adequada para carregamento corresponde ao intervalo entre 20 e 25°C.
25. Não utilizar o carregador continuamente.
Quando um carregamento estiver concluído, deixe repousar o carregador durante cerca de 15 minutos antes do carregamento seguinte.
26. Não permitir a entrada de materiais estranhos no orifício para ligar a bateria recarregável.
27. Nunca desmontar a bateria recarregável nem o carregador.
28. Nunca colocar a bateria recarregável em curto-circuito.
Ao colocar a bateria em curto-circuito causa uma elevada corrente eléctrica e uma temperatura excessiva. A bateria pode queimar ou sofrer outros danos.
29. Não colocar a bateria no fogo.
Se a bateria estiver queimada, pode explodir.
30. A utilização de uma bateria gasta provoca danos ao carregador.
31. Entregar a bateria no local onde a adquiriu quando a duração da bateria após cada carregamento for demasiado reduzida para utilização prática.
Não coloque a bateria gasta no lixo.
32. Não inserir objectos nas ranhuras de ventilação do carregador.
A inserção de objectos metálicos ou inflamáveis nas ranhuras de ventilação constitui perigo de choque eléctrico ou danos ao carregador.
33. NUNCA permita que ímanes (ou dispositivos magnéticos equivalentes) fiquem junto à pistola de pregos, uma vez que a pistola de pregos tem um sensor no interior.
Se o fizer, poderá provocar uma falha ou risco de lesões por avaria.
34. Desligar a unidade após trabalho contínuo.
35. A ferramenta elétrica está equipada com um circuito de proteção da temperatura para proteger o motor. Trabalho contínuo pode fazer com que a temperatura da unidade suba, ativando o circuito de proteção de temperatura e parando automaticamente a operação. Se isto acontecer, permita que a ferramenta elétrica arrefeça antes de reiniciar a utilização.
36. Este produto pode não funcionar quando é detetada uma anomalia. Nesses casos, verifique os itens relacionados na secção “RESOLUÇÃO DE PROBLEMAS” na página 127.
37. Não sujeite o painel do interruptor a choques fortes nem o parta. Pode resultar em problemas.
38. Não use o produto se os terminais da ferramenta ou da bateria (montagem da bateria) estiverem deformados.
Instalar uma bateria assim pode causar um curto-circuito, o que pode resultar na emissão de fumo ou incêndio.
39. Mantenha os terminais da ferramenta (montagem da bateria) livres de limalhas e de pó.

- Antes do uso, certifique-se de que limalhas e pó não se acumulam na área dos terminais.
- Durante a utilização, tente evitar que limalhas ou pó na ferramenta caiam sobre a bateria.

- Quando suspender o funcionamento ou após o uso, não deixe a ferramenta numa área onde possa estar exposta a queda de limalhas ou de pó.
Se o fizer pode causar um curto-circuito, o que pode resultar na emissão de fumo ou incêndio.

PRECAUÇÕES PARA A BATERIA DE IÕES DE LÍCIO

Para aumentar a vida útil, a bateria de iões de lítio está equipada com uma função de proteção para impedir a transmissão de corrente.

Nos casos 1 a 3 descritos abaixo, quando utilizar este produto, mesmo que esteja a premir o interruptor, o motor pode parar. Isto não constitui uma avaria, sendo o resultado da função de proteção.

1. Quando a carga restante da bateria se esgotar, o motor para.
Nesse caso, carregue-a imediatamente.
2. Se a ferramenta estiver sobrecarregada, o motor pode parar. Neste caso, solte o interruptor da ferramenta e elimine as causas da sobrecarga. De seguida, pode voltar a utilizá-la.
3. Se a bateria estiver sobreaquecida em condições de sobrecarga, a alimentação da bateria pode parar. Neste caso, pare de utilizar a bateria e deixe-a arrefecer. De seguida, pode voltar a utilizá-la.

Além disso, tenha em consideração os seguintes avisos e precauções.

AVISO

Para evitar antecipadamente qualquer fuga na bateria, produção de calor, emissão de fumo, explosão e ignição, certifique-se de que toma as seguintes precauções.

1. Certifique-se de que limalhas e pó não se acumulam na bateria.
- Durante o trabalho, certifique-se de que limalhas e pó não caem na bateria.
- Certifique-se de que quaisquer limalhas e pó que caíam na ferramenta durante os trabalhos não se acumulam na bateria.
- Não guarde uma bateria não utilizada num local exposto a limalhas e ao pó.
- Antes de guardar uma bateria, remova quaisquer limalhas e pó que possam existir na mesma e não a guarde com peças metálicas (parafusos, pregos, etc.).
2. Não perfure a bateria com objetos afiados como pregos, não lhe bata com um martelo, e não pise, arremesse, nem submeta a bateria a impactos físicos severos.
3. Não utilize uma bateria que pareça estar danificada ou deformada.
4. Não utilize a bateria com a polaridade invertida.
5. Não a ligue diretamente a quaisquer tomadas elétricas ou tomadas de isqueiro de automóvel.
6. Não utilize a bateria para fins que não os especificados.
7. Se a bateria não carregar completamente mesmo após ter passado o tempo de recarregamento especificado, pare imediatamente de a recarregar.
8. Não coloque nem submeta a bateria a temperaturas elevadas ou a alta pressão, como as de um forno microondas, secador, ou recipiente de alta pressão.
9. Afaste-a imediatamente do fogo quando forem detetados fugas ou maus odores.
10. Não utilizar em locais onde seja produzida uma forte electricidade estática.
11. Se a bateria apresentar fugas, maus odores, produção de calor, descoloração ou deformações, ou parecer funcionar de forma anormal durante a utilização, recarregamento ou armazenamento, remova-a imediatamente do equipamento ou do carregador da bateria e pare de a utilizar.

NOMES DOS COMPONENTES (Fig. 1 – Fig. 28)

①	Tampa superior
②	Gatilho
③	Luz LED
④	Cabeça de disparo (saída)
⑤	Alavanca de pressão
⑥	Alimentador de pregos (A)
⑦	Alimentador de pregos (B)
⑧	Carregador
⑨	Gancho
⑩	Bateria
⑪	Alavanca de bloqueio do interruptor
⑫	Pega
⑬	Alavanca de paragem
⑭	Interruptor do indicador da bateria
⑮	Indicador da bateria
⑯	Interruptor de operação de pregar
⑰	Indicador de alimentação
⑱	Interruptor de alimentação
⑲	Indicador de operação de pregar
⑳	Fita de pregos
㉑	Tampa do carregador
㉒	Ranhura
㉓	Guia da lâmina
㉔	Regulador
㉕	Placa de gancho
㉖	Tampa do nariz
㉗	Alavanca de bloqueio
㉘	Placa de guia

12. Não mergulhe a bateria nem permita que quaisquer líquidos vertam para o interior. Entrada de líquido condutor, tal como água, pode causar danos que podem resultar em incêndio ou explosão. Guarde a bateria num local fresco e seco, longe de materiais inflamáveis e combustíveis. As atmosferas de gás corrosivo devem ser evitadas.

PRECAUÇÃO

- Se o líquido vertido pela bateria entrar nos seus olhos, não os esfregue e lave-os bem com água fresca e limpa como água da torneira e contacte imediatamente um médico.
Se não for tratado, o líquido pode provocar problemas nos olhos.
- Se o líquido verter para a sua pele ou roupa, lave-as imediatamente com água limpa como água da torneira. Existe a possibilidade do líquido provocar irritação cutânea.
- Se se deparar com ferrugem, maus odores, sobreaquecimento, descoloração, deformações e/ou outras irregularidades ao utilizar a bateria pela primeira vez, pare de utilizá-la e devolva-a ao seu fornecedor ou vendedor.

AVISO

Se uma substância estranha condutora entrar no terminal da bateria de iões de lítio, a bateria pode sofrer um curto-circuito causando um incêndio. Ao armazenar a bateria de iões de lítio, cumpra as regras dos conteúdos seguintes.

- Não coloque os resíduos condutores, pregos e fios como fio de ferro ou fio de cobre na caixa de armazenamento.
- Para evitar curtos-circuitos, coloque a bateria na ferramenta ou coloque a tampa da bateria para armazenamento de modo a que não seja possível ver o ventilador.

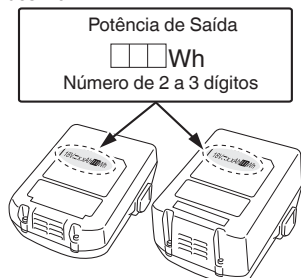
SOBRE O TRANSPORTE DA BATERIA DE IÕES DE LÍTIO

Ao transportar uma bateria de iões de lítio, tenha em conta as seguintes precauções.

AVISO

Informe a empresa de transporte que uma embalagem contém uma bateria de iões de lítio, informe a companhia da sua potência de saída e siga as instruções da empresa de transporte ao planificar o transporte.


















- As baterias de iões de lítio que excedem uma potência de saída de 100 Wh são consideradas incluídas na classificação de carga Mercadorias Perigosas e requerem procedimentos especiais de registo.
- Para transporte para o estrangeiro, deve obedecer à legislação internacional e às regras e regulamentos do país de destino.













SÍMBOLOS

AVISO

De seguida, são apresentados os símbolos utilizados para a máquina. Assimile bem seus significados antes da utilização.

	<p>NT 1865DBAL: Pistola de Pregos de Acabamento Sem Fios</p> <p>NT 1865DBSL: Pistola de Pregos de Acabamento Sem Fios</p> <p>NT 1850DBSL: Pistola de Pregos Finos Sem Fios</p>
	Para reduzir o risco de lesão, o utilizador deve ler o manual de instruções.
	<p>Apenas para países da UE</p> <p>Não deixe ferramentas elétricas no lixo doméstico!</p> <p>De acordo com a diretiva europeia 2012/19/UE sobre ferramentas elétricas e eletrónicas usadas e a implementação de acordo com a lei nacional, as ferramentas elétricas no final da vida útil devem ser recolhidas em separado e encaminhadas a uma instalação de reciclagem ecológica.</p>
	Corrente contínua
	Ligar (ON)
	Desligar (OFF)
	Desconectar a bateria
	Interruptor de alimentação
	Interruptor de alimentação desligado (OFF)
	Interruptor de alimentação ligado (ON)
	Indicador de alimentação: Acende-se a verde
	Interruptor de operação de pregar
	MECANISMO DE ATUAÇÃO SEQUENCIAL COMPLETA
	<p>Modo de MECANISMO DE ATUAÇÃO SEQUENCIAL COMPLETA</p> <p>Indicador de operação de pregar: Acende-se a azul</p>
	MECANISMO DE ATUAÇÃO DE CONTACTO
	<p>Modo de MECANISMO DE ATUAÇÃO DE CONTACTO</p> <p>Indicador de operação de pregar: Pisca a azul</p>
	Gatilho bloqueado

	Disparo bloqueado
	Interruptor do indicador da bateria
	Autonomia da bateria suficiente Indicador da bateria: Acendem-se 2 LEDs (Vermelhos)
	Autonomia da bateria a cerca de metade. Indicador da bateria: Acende-se 1 LED (Vermelho)
	Autonomia da bateria quase esgotada. Recarregue a bateria assim que possível. Indicador da bateria: Pisca 1 LED (Vermelho)
	Contacte a HiKOKI para proceder à inspeção. Indicador da bateria: 2 LEDs piscam a Laranja, após 10 segundos, desliga-se automaticamente o Interruptor de alimentação.
	Lado raso
	Lado profundo
	Aviso
	Ação proibida

ESPECIFICAÇÕES

1. Pistola de Pregos de Acabamento Sem Fios

Modelo	NT1865DBAL		NT1865DBSL	
Motor	CC Sem Escovas		CC Sem Escovas	
Prego Aplicável	Cal 15 (Ângulo: 34°)		Cal 16	
Comprimento do Prego Aplicável	32 mm a 65 mm		25 mm a 65 mm	
Capacidade de Carregamento dos Pregos [pregos]	100 (1 fita)		100 (2 fitas)	
Modo de disparo	Sequencial completa / Contacto (Selecionável)		Sequencial completa / Contacto (Selecionável)	
Taxa cíclica	[pregos/segundo]	3 (Intermitente)		3 (Intermitente)
Bateria	Modelo	BSL1830C	BSL1830C	BSL1850
	Tipo	Bateria de iões de lítio		
	Voltagem	CC 18 V		
Peso*	3,5 – 4,1 kg		3,4 – 4,0 kg	
Dimensão Altura x Comprimento x Largura	344 mm x 300 mm x 104 mm		315 mm x 298 mm x 104 mm	315 mm x 310 mm x 104 mm

* De acordo com o procedimento EPTA 01/2014

Dependendo da bateria conectada. O peso mais pesado é medido com BSL36B18 (vendido separadamente).

2. Pistola de Pregos Finos Sem Fios

Modelo	NT1850DBSL		
Motor	CC Sem Escovas		
Prego Aplicável	Cal 18		
Comprimento do Prego Aplicável	16 mm a 50 mm		
Capacidade de Carregamento dos Pregos [pregos]	100 (1 fita)		
Modo de disparo	Sequencial completa / Contacto (Selecionável)		
Taxa cíclica	[pregos/segundo]	3 (Intermitente)	
Bateria	Modelo	BSL1830C	BSL1850
	Tipo	Bateria de iões de lítio	
	Voltagem	CC 18 V	
Peso*	3,3 – 4,0 kg		
Dimensão Altura x Comprimento x Largura	323 mm x 298 mm x 104 mm	323 mm x 310 mm x 104 mm	

* De acordo com o procedimento EPTA 01/2014

Dependendo da bateria conectada. O peso mais pesado é medido com BSL36B18 (vendido separadamente).

3. Carregador da Bateria

Modelo	UC18YFSL	UC18YML2
Tensão de carregamento	CC 14,4 – 18 V	
Peso	0,5 kg	0,7 kg

NOTA

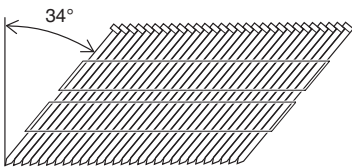
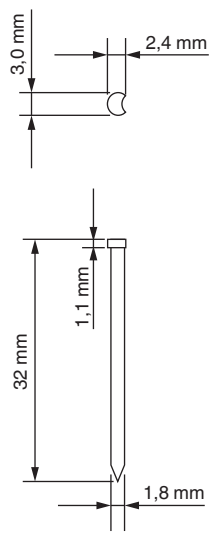

Devido ao programa contínuo de pesquisa e desenvolvimento da HiKOKI, as especificações aqui contidas estão sujeitas a mudanças sem aviso prévio.

SELEÇÃO DE PREGOS

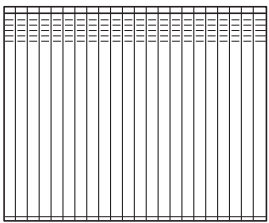
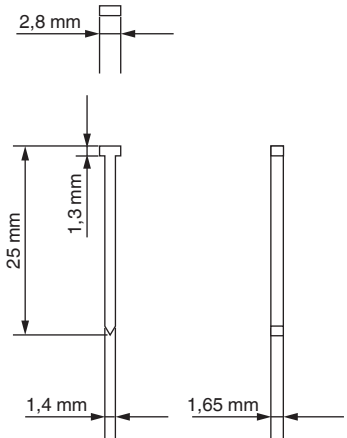

Apenas os pregos mostrados na tabela abaixo podem ser disparados com esta Pistola de Pregos.

Dimensões dos pregos

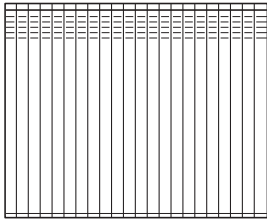
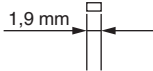
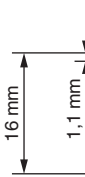
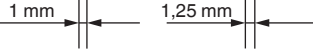

<NT1865DBAL>

	Mín.	Máx.
<p>Pregos de acabamento de calibre 15 (Ângulo: 34°)</p> 		

<NT1865DBSL>

	Mín.	Máx.
<p>Pregos de acabamento de calibre 16 (direito)</p> 		

<NT1850DBSL>

	Mín.	Máx.
<p>Pregos finos de calibre 18 (direito)</p> 	  	
	Excluindo pregos com 35 mm de comprimento	

ACESSÓRIOS-PADRÃO

Além da unidade principal (1 unidade), a embalagem contém os acessórios listados na página 378. Os acessórios de série estão sujeitos a mudanças sem aviso prévio.

APLICAÇÕES

<NT1865DBAL, NT1865DBSL>

○ Pregar como processo de acabamento em áreas ao redor de portas, janelas e bordas.

○ Fixar o fundo de gavetas. Criar várias caixas e armários.

<NT1850DBSL>

○ Conjunto de caixa e moldura, guarnição de mobília.

○ Guarnição e moldagem doméstica e de roulotte.

RECARREGAMENTO

Antes de utilizar a ferramenta elétrica, carregue a bateria da seguinte forma.

1. Ligar à fonte de alimentação (Fig. 3)

Ao carregar a bateria a partir de uma fonte de alimentação CA

○ Ligue o cabo de alimentação do carregador à tomada.

Ao ligar a ficha do carregador a uma tomada, a luz piloto pisca a vermelho (Em intervalos de 1 segundo).

PRECAUÇÃO

Não utilize o fio elétrico se estiver danificado. Repare-o imediatamente.

Ao carregar a bateria a partir de uma fonte de alimentação no carro 12V CC (UC18YML2)

○ Coloque o carregador da bateria em posição no carro.

Utilize a alça fornecida com o carregador da bateria para apertar o carregador da bateria na posição e evitar que se mova inadvertidamente. (Consulte a Fig. 28)

PRECAUÇÃO

Não coloque o carregador da bateria ou a bateria sob o banco do condutor. Fixe o carregador da bateria na posição para evitar que se mova inadvertidamente uma vez que pode resultar num acidente.



Fig. 28

○ Introduza a ficha de ligação do isqueiro na tomada de isqueiro.

Se a ficha estiver solta e sair da tomada de isqueiro, repare a tomada. Uma vez que a tomada pode estar avariada, é aconselhável contactar o concessionário local. A utilização posterior da tomada pode resultar num acidente devido a sobreaquecimento.

2. Introduza a bateria no carregador.

Introduza com firmeza a bateria no carregador, até que a linha seja visível, tal como ilustrado na Fig. 3.

As linhas não são apresentadas na UC18YFSL. Certifique-se de que a bateria está bem instalada.

3. Carregamento

A recarga se inicia ao inserir a bateria no recarregador e a lâmpada piloto se acenderá continuamente em vermelho.

Quando a bateria fica completamente carregada, a luz piloto pisca a vermelho. (Em intervalos de 1 segundo) (Consulte a Tabela 1)

(1) Indicação de luz piloto

As indicações da luz piloto serão aquelas mostradas na Tabela 1, de acordo com o estado do carregador ou da bateria recarregável.

Tabela 1

<UC18YFSL>

Indicações da luz piloto				
Lâmpada piloto (vermelha)	Antes do carregamento	Pisca	Acende-se durante 0,5 segundos. Não se acende durante 0,5 segundos. (desliga-se durante 0,5 segundos)	
	Durante o carregamento	Acende-se	Acende-se de forma fixa	
	Carregamento completo	Pisca	Acende-se durante 0,5 segundos. Não se acende durante 0,5 segundos. (desliga-se durante 0,5 segundos)	
	Standby em caso de sobreaquecimento	Pisca	Acende-se durante 1 segundo. Não se acende durante 0,5 segundos. (desliga-se durante 0,5 segundos)	Bateria sobreaquecida. Não é possível carregar. (O carregamento inicia quando a bateria arrefecer).
	Carregamento impossível	Tremeluz	Acende-se durante 0,1 segundos. Não se acende durante 0,1 segundos. (desliga-se durante 0,1 segundos)	Avaria na bateria ou no carregador

<UC18YML2>

Indicações da luz piloto				
A luz de indicação acende-se ou pisca a vermelho.	Antes do carregamento	Pisca	Acende-se durante 0,5 segundos. Não se acende durante 0,5 segundos. (desliga-se durante 0,5 segundos)	
	Durante o carregamento	Acende-se	Acende-se de forma fixa	
	Carregamento completo	Pisca	Acende-se durante 0,5 segundos. Não se acende durante 0,5 segundos. (desliga-se durante 0,5 segundos)	
	Carregamento impossível	Tremeluz	Acende-se durante 0,1 segundos. Não se acende durante 0,1 segundos. (desliga-se durante 0,1 segundos)	Avaria na bateria ou no carregador
A luz de indicação acende-se ou pisca a verde.	Standby em caso de sobreaquecimento	Acende-se	Acende-se de forma fixa	Bateria sobreaquecida. Não é possível carregar. (O carregamento inicia quando a bateria arrefecer).
	Carregamento impossível com fonte de alimentação no carro	Pisca	Acende-se durante 0,5 segundos. Não se acende durante 0,5 segundos. (desliga-se durante 0,5 segundos)	Falha na alimentação de 12 V CC

NOTA: Quando em standby para arrefecimento da bateria, UC18YML2 arrefece a bateria sobreaquecida através da ventoinha de arrefecimento. (No entanto, a ventoinha de arrefecimento não funciona ao carregar a bateria com uma fonte de alimentação no carro 12V CC.)

(2) Quanto a temperaturas da bateria recarregável
As temperaturas aplicáveis às baterias recarregáveis estão indicadas na **Quadro 2**; as baterias que tenham aquecido devem ser deixadas a arrefecer durante algum tempo antes de serem recarregadas.

Quadro 2 Limites para recarga de baterias

Baterias recarregáveis	Temperaturas nas quais a bateria pode ser recarregada
BSL1830C, BSL1850	0°C – 50°C

- (3) Quanto ao tempo de recarga
Conforme a combinação do recarregador e das baterias, o tempo de recarga será o que mostra o **Quadro 3**.

Quadro 3 Tempo de recarga (a 20°C)
(Fonte de alimentação CA / Fonte de alimentação CC de 12 V (isquero))

Bateria \ Recarregador	UC18YFSL	UC18YML2
BSL1830C	Aprox. 45 min	Aprox. 45 / 120 min
BSL1850	Aprox. 75 min	Aprox. 75 / 200 min

NOTA

O tempo de recarregamento pode variar conforme a temperatura ambiente e a tensão da fonte de alimentação.

<UC18YML2>

Utilizar uma fonte de alimentação no carro de 12V CC pode exigir um tempo de recarregamento superior a temperaturas altas.

PRECAUÇÃO

Quando o carregador da bateria tiver sido usado de forma contínua, este estará quente, constituindo assim a causa das falhas. Assim que o carregamento estiver concluído, aguarde 15 minutos até o próximo carregamento.

4. **Desligue o cabo de alimentação do carregador da tomada ou tomada de isquero.**

5. **Segure bem o carregador e retire a bateria.**

NOTA

Certifique-se de que retira a bateria do carregador após a utilização e, de seguida, guarde-a.

Quanto à descarga elétrica no caso de novas baterias, etc.

Como a substância química interna das novas baterias e daquelas que não foram usadas por um prolongado período não está ativada, pode haver uma pequena descarga elétrica ao usá-las pela primeira e segunda vezes. Este fenómeno é temporário e o tempo normal requerido para a recarga será restabelecido depois de recarregar a bateria umas duas ou três vezes.

Como prolongar a vida útil das baterias

- Recarregue as baterias antes de elas se descarreguem completamente.
Quando sentir que a potência da ferramenta enfraquece, pare de usá-la e recarregue a bateria. Se continuar a usar a ferramenta e descarregar a corrente elétrica, a bateria pode se danificar e sua vida útil ficará menor.
- Evite fazer a recarga em altas temperaturas.
A bateria recarregável se aquece imediatamente depois do uso. Se for recarregada imediatamente depois de ter sido usada, sua substância química interna pode deteriorar e sua vida útil pode diminuir. Deixe a bateria descansar e recarregue-a somente depois que tiver esfriado por algum tempo.

PRECAUÇÃO

- Se a bateria for carregada enquanto está quente porque foi deixada durante muito tempo num local sujeito a luz solar direta ou porque a bateria foi utilizada recentemente, a luz piloto do carregador acende-se durante 1 segundo, não se acende durante 0,5 segundos (desliga-se durante 0,5 segundos) (UC18YFSL) ou acende-se a verde, (UC18YML2). Nesse caso, primeiro deixe a bateria esfriar para depois iniciar a recarga.

- Quando a luz piloto tremeluz a vermelho (em intervalos de 0,2 segundos), procure e retire quaisquer objetos estranhos no conector de bateria do carregador. Se não houver qualquer objeto estranho, é provável que a bateria ou o carregador estejam avariados. Dirija-se ao centro de assistência autorizado.
- Como o microcomputador integrado leva cerca de 3 segundos para confirmar se a bateria que está sendo recarregada com UC18YFSL / UC18YML2 foi retirada, espere no mínimo 3 segundos antes de reinseri-la para que continue a ser recarregada. Caso seja reinserida dentro de 3 segundos, ela pode não estar sendo recarregada de maneira correta.
- Verifique a tensão da fonte de alimentação no carro quando a luz piloto pisca a verde (em intervalos de 1 segundo). (UC18YML2)
Se a tensão for de 12 V ou inferior, significa que a bateria do carro enfraqueceu e não pode ser carregada.
- Se a luz piloto não piscar a vermelho (todos os segundos) mesmo que o cabo do carregador ou a ficha de ligação do isquero estejam ligados à alimentação, significa que o circuito de proteção do carregador pode estar ativado.
Retire o cabo ou ficha da alimentação e, de seguida, volte a ligá-lo após cerca de 30 segundos. Se não fizer com que a luz piloto pisque a vermelho (todos os segundos), leve o carregador para o centro de assistência autorizado da HIKOKI.

ANTES DA UTILIZAÇÃO

Ação	Figura	Página
Remover e introduzir a bateria	2	379
Carregamento	3	380
Selecionar acessórios	—	385

1. Como operar o painel de operação

- (1) Interruptor de alimentação ligado (ON) (Consulte a **Fig. 4**)

Sob a condição "Interruptor de alimentação desligado (OFF)", prima e mantenha premido o Interruptor de alimentação durante mais de 1 segundo e, em seguida, o indicador de alimentação acende-se a Verde.

NOTA

Não pressione a alavanca de pressão nem puxe o gatilho durante o processo de ligar (ON) o interruptor de alimentação.

Se o fizer, irá impedir que o interruptor de alimentação se ligue (ON).

[Desligamento automático]

Quando a alimentação está ligada mas a Pistola de Pregos não é utilizada durante 30 minutos, a Pistola de Pregos é automaticamente desligada. Para ligar novamente, pressione o interruptor de alimentação.

AVISO

Nunca deixe a Pistola de Pregos com a alimentação ligada. Isto pode resultar num acidente.

- (2) Interruptor de alimentação desligado (OFF) (Consulte a **Fig. 4**)

Sob a condição "Interruptor de alimentação ligado (ON)", prima e mantenha premido o Interruptor de alimentação durante mais de 1 segundo e, em seguida, o indicador de alimentação desliga-se.

Sob a condição de "Interruptor de alimentação ligada (ON)", as funções abaixo estão ativas.

- (3) Seleção o Modo de operação de pregar (Atuação sequencial completa / Atuação de contacto)
Depois de ligar (ON) o interruptor de alimentação, coloque sempre o Modo de atuação sequencial completo como inicial. (O indicador de operação de pregar acende-se a azul.) (Consulte a **Fig. 5**)

Português

Para alterar o modo de operação de pregar, prima o Interruptor de operação de pregar uma vez. A cada pressão, o modo alterna entre "Sequencial completo" e "Contacto". (Consulte a **Fig. 6**)

Aceso (Azul):




MECANISMO DE ATUAÇÃO SEQUENCIAL COMPLETA,

Intermitente (Azul):

MECANISMO DE ATUAÇÃO DE CONTACTO

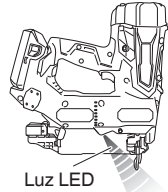
(4) Verifique o Nível restante da bateria

Ao premir o interruptor do indicador da bateria, o indicador da bateria mostra o Nível restante da bateria pelo estado da luz LED abaixo.

Estado do indicador	
 <p>Acendem-se 2 LEDs (Vermelhos)</p>	Autonomia da bateria suficiente.
 <p>1 LED (Vermelho) acende-se</p>	Autonomia da bateria a cerca de metade.
 <p>1 LED (vermelho) pisca</p>	Autonomia da bateria quase esgotada. Recarregue a bateria assim que possível.

(5) Outras funções

Em caso de erro de operação, as luzes LED são apresentadas como abaixo.

Estado do indicador	
 <p>Luz LED</p> <p>A luz LED acende-se intermitentemente num intervalo.</p> <ul style="list-style-type: none"> No caso de uma condição demasiado quente, Piscar em intervalos de 1 segundo. No caso de uma condição demasiado fria, Pisca em intervalos de 0,5 segundos. <p>Após 10 segundos, desligam-se a luz LED e o Interruptor de alimentação automaticamente.</p>	<p>A máquina está numa condição demasiado fria (abaixo de -5°C) ou demasiado quente. Permita que a pistola de pregos arrefeça ou aqueça adequadamente em condições adequadas.</p>
 <p>2 LEDs piscam a Laranja, após 10 segundos, desliga-se automaticamente o Interruptor de alimentação.</p>	Contacte a HiKOKI para proceder à inspeção.

(6) Como utilizar a luz LED (Consulte a **Fig. 7**)

Enquanto o interruptor de alimentação estiver ligado, a luz LED acende automaticamente a porção da extremidade da ferramenta.

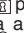
PRECAUÇÃO


- Não exponha os seus olhos diretamente à luz olhando para a luz. Se os seus olhos forem continuamente expostos à luz, estes sofrerão lesões.
- Limpe qualquer sujidade ou nódoa na lente da luz LED com um pano macio, tendo cuidado para não riscar a lente. Riscos na lente da luz LED podem resultar na diminuição do brilho.

2. Mecanismo do Bloqueio do Gatilho (Consulte a Fig. 8) AVISO

Certifique-se de que o gatilho está bloqueado quando não estiver a disparar pregos.

Esta Pistola de Pregos tem um mecanismo de bloqueio para evitar que os pregos sejam disparados.

Coloque a alavanca de bloqueio do interruptor na posição  para bloquear o gatilho.

Deslize a alavanca de bloqueio do interruptor para a posição  quando a Pistola de Pregos está para ser usada e para a posição  quando não a estiver a utilizar.

3. Testar a pistola de pregos

AVISO

○ Certifique-se de que o gatilho está bloqueado quando não estiver a disparar pregos. (Consulte a **Fig. 8**)

○ Nunca use a Pistola de Pregos a menos que a alavanca de pressão esteja a operar adequadamente.

A NT1865DBAL e NT1865DBSL dispõem de um mecanismo de prevenção da operação sem carregamento.

A NT1865DBAL e NT1865DBSL entram num estado em que a alavanca de pressão não pode ser empurrada para cima. Isto ocorre quando o carregador não está carregado com pregos ou quando o número restante de pregos for menos de 6 ou 9.

PRECAUÇÃO

Tenha o cuidado de não atirar a ponta da alavanca de pressão contra a madeira.

Antes de iniciar o trabalho de pregar, teste a Pistola de Pregos utilizando a lista de verificação abaixo. Execute os testes de acordo com a seguinte ordem.

Se ocorrer uma operação anormal interrompa o uso da Pistola de Pregos e contacte um centro de serviço autorizado HiKOKI imediatamente.

(1) REMOVA TODOS OS PREGOS E A BATERIA DA PISTOLA DE PREGOS.

TODOS OS PARAFUSOS DEVEM ESTAR APERTADOS.

A ALAVANCA DE PRESSÃO E O GATILHO DEVEM SER MOVIDOS SUAVEMENTE com o movimento de retração do alimentador de pregos (B). (NT1850DBSL: Não é necessário puxar o alimentador de pregos para trás)

(2) Instalar a bateria.

Não opere a alavanca de pressão nem o gatilho ao instalar a bateria. (Consulte a **Fig. 2**)

(3) Ligue o Interruptor de alimentação. (Consulte a **Fig. 1**)

Ligue o Interruptor de alimentação premindo e mantendo premido o Interruptor de alimentação durante mais de 1 segundo.

Certifique-se de que o indicador de alimentação está aceso a verde, e o indicador de operação de pregar está aceso a azul. (MECANISMO DE ATUAÇÃO SEQUENCIAL COMPLETA)

NOTA

Não pressione a alavanca de pressão nem puxe o gatilho durante o processo de ligar (ON) o interruptor de alimentação.

Se o fizer, irá impedir que o interruptor de alimentação se ligue (ON).

[Desligamento automático]

Quando a alimentação está ligada mas a Pistola de Pregos não é utilizada durante 30 minutos, a Pistola de Pregos é automaticamente desligada. Para ligar novamente, pressione o interruptor de alimentação.

AVISO

Nunca deixe a Pistola de Pregos com a alimentação ligada. Isto pode resultar num acidente.

Indicador de operação de pregar

Aceso (Azul):

MECANISMO DE ATUAÇÃO SEQUENCIAL COMPLETA,

Intermitente (Azul):

MECANISMO DE ATUAÇÃO DE CONTACTO

Certifique-se de que o indicador da bateria não está a piscar.

Se o indicador da bateria piscar a vermelho, a bateria não tem carga suficiente e necessita de ser carregada.

- (4) Remova o dedo do gatilho e prima a alavanca de pressão contra a peça de trabalho com o movimento de retração do alimentador de pregos (B).

A PISTOLA DE PREGOS NÃO PODE SER OPERADA.

- (5) Separe a alavanca de pressão da peça de trabalho.

Em seguida, aponte a pistola de pregos para baixo, puxando o alimentador de pregos (B) para trás, puxe o gatilho e, em seguida, aguarde nessa posição durante 5 segundos ou mais.

A PISTOLA DE PREGOS NÃO PODE SER OPERADA.

- (6) ① Sem tocar no gatilho, prima a alavanca de pressão contra a peça de trabalho com o movimento de retração do alimentador de pregos (B). Em seguida, puxe o gatilho.

A PISTOLA DE PREGOS TEM DE SER OPERADA.

② Segure o gatilho e prima a alavanca de pressão contra a peça de trabalho novamente.

A PISTOLA DE PREGOS NÃO PODE SER OPERADA.

③ Retire o dedo do gatilho. Em seguida, ① é operado novamente.

A PISTOLA DE PREGOS TEM DE SER OPERADA.

- (7) Separe a alavanca de pressão da peça de trabalho, puxe o gatilho.

Prima a alavanca de pressão contra a peça de trabalho num prazo de 2 segundos.

A PISTOLA DE PREGOS NÃO PODE SER OPERADA.

- (8) Defina o indicador de operação de pregar para o modo ligado (ON) a piscar. (MECANISMO DE ATUAÇÃO DE CONTACTO)

Prima o interruptor de operação de pregar uma vez, certifique-se de que o indicador está a piscar a Azul.

Separe a alavanca de pressão da peça de trabalho, puxe o gatilho.

Prima a alavanca de pressão contra a peça de trabalho num prazo de 2 segundos.

A PISTOLA DE PREGOS TEM DE SER OPERADA.

- (9) Se não for observada uma operação anormal, pode carregar pregos na Pistola de Pregos.

Dispare pregos para a peça de trabalho que seja do mesmo tipo a ser utilizado na aplicação atual.

A PISTOLA DE PREGOS TEM DE SER OPERADA ADEQUADAMENTE.

4. Verificar as operações da alavanca de pressão**AVISO**

Certifique-se de que o gatilho está bloqueado quando não estiver a disparar pregos.

Certifique-se sempre de que o gatilho está bloqueado e a bateria removida da ferramenta eléctrica ao verificar as operações da alavanca de pressão.

Certifique-se de que a alavanca de pressão desliza suavemente quando utilizada.

Limpe a área de deslizamento na alavanca de pressão se não deslizar suavemente.

5. Carregar pregos**AVISO**

Ao carregar pregos na Pistola de Pregos,

- 1) remova a bateria da pistola de pregos;
- 2) não dispare o gatilho;
- 3) não prima a alavanca de pressão; e
- 4) mantenha a pistola de pregos virada para baixo.

<NT1865DBAL, NT1865DBSL>

2-Alimentação de Pregos Ativa!

- (1) Insira uma fita de pregos na parte de trás do carregador. (Consulte a **Fig. 9**)

- (2) Deslize a fita de pregos para a frente no carregador. (Consulte a **Fig. 10**)

- (3) Empurre o alimentador de pregos (A) para engatar o alimentador de pregos (B) na fita de pregos. (Consulte a **Fig. 11**)

NOTA

○ Empurre suavemente o alimentador de pregos (A) e o alimentador de pregos (B) contra o prego.

Se o alimentador de pregos (A) e o alimentador de pregos (B) forem libertados da parte de trás do carregador e forem de encontro ao prego, o adesivo conector do prego pode ficar danificado.

○ Use uma fita de pregos com mais de 10 pregos.

○ Use uma fita de pregos inteira com pregos do mesmo comprimento.

A Pistola de Pregos já está pronta para operar.

Remover o pregos:

- ① Puxe o alimentador de pregos (B) para trás. (Consulte a **Fig. 12**)

- ② Volte a colocar o alimentador de pregos (B) para a frente suavemente enquanto empurra o alimentador de pregos (A).

- ③ Retire pregos da parte de trás do carregador. (Consulte a **Fig. 13**)

<NT1850DBSL>

- (1) Pressione levemente a alavanca de travagem e puxe suavemente a tampa do carregador. (Consulte a **Fig. 14**)

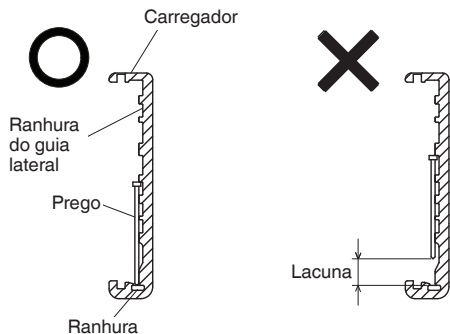
- (2) Coloque a fita de pregos no carregador e mantenha as pontas dos pregos em contacto com a Ranhura. (Consulte a **Fig. 15**)

NOTA

Os pregos mostrados na página 119 podem ser carregados na ranhura de guia lateral do carregador sem qualquer ajuste.

Mantenha sempre as pontas dos pregos em contacto com a Ranhura.

Português



- (3) Deslize a fita de pregos no guia da lâmina. (Consulte a Fig. 16)
- (4) Confirme que a fita de pregos está colocada com as ranhuras de guia lateral e Ranhura corretamente e, em seguida, empurre a tampa do carregador para a frente para esta ser fechada.

COMO UTILIZAR A PISTOLA DE PREGOS

AVISO

- NUNCA aponte a ferramenta para si ou outras pessoas na área de trabalho.
- Mantenha os dedos AFASTADOS do gatilho quando não estiver a disparar pregos para evitar disparos acidentais.
- Não utilize o fio elétrico se estiver danificado. Repare-o imediatamente.
- A escolha do método de disparo é importante. Por favor, leia e compreenda "1. Procedimentos ao pregar" encontrados abaixo.
- Antes de iniciar o trabalho, verifique o dispositivo de comutação de operação de pregar. Esta pistola de pregos da HiKOKI inclui um dispositivo de comutação de operação de pregar. Antes de iniciar o trabalho, certifique-se de que o dispositivo de comutação está corretamente definido. Se o dispositivo de comutação não estiver corretamente definido, a pistola de pregos não opera corretamente.
- Nunca coloque o seu rosto, mãos ou pés perto da cabeça de disparo ao utilizar.
- Não dispare pregos em cima de outros pregos ou com uma Pistola de Pregos num ângulo demasiado íngreme; os pregos podem ricochetear e ferir alguém.
- Não dispare pregos para tábuas finas ou perto de esquinas e bordas da peça de trabalho. Os pregos podem ser disparados através ou para longe da peça de trabalho e atingir alguém.
- Nunca dispare pregos em ambos os lados de uma parede ao mesmo tempo. Os pregos podem ser disparados para e através da parede e atingir uma pessoa no lado oposto.
- Nunca use uma Pistola de Pregos defeituosa ou que opere de forma anormal.
- Não use a Pistola de Pregos como martelo.
- Retire todos os pregos restantes e a bateria da pistola de pregos quando:
 - 1) fizer a manutenção e inspeção;
 - 2) verificar a operação correta da alavanca de pressão e do gatilho;
 - 3) colocar ou retirar a tampa do nariz;
 - 4) limpar um encravamento;
 - 5) não estiver a ser utilizada;
 - 6) deixar a área de trabalho;
 - 7) a deslocar para outro local; e
 - 8) a entregar a outra pessoa.

- Retire a bateria da Pistola de Pregos quando:
 - 1) carregar pregos;
 - 2) rodar o regulador.

Esta pistola de pregos da HiKOKI está equipada com um dispositivo de comutação de operação de pregar.

Use o MECANISMO DE ATUAÇÃO SEQUENCIAL COMPLETA ou MECANISMO DE ATUAÇÃO DE CONTACTO em conformidade com o trabalho a ser executado.

Explicação das várias operações de pregar

- MECANISMO DE ATUAÇÃO SEQUENCIAL COMPLETA:

Em primeiro lugar, pressione a alavanca de pressão contra a madeira; em seguida, puxe o gatilho para disparar o prego.

Siga a mesma sequência para continuar a disparar pregos.

Depois de pregar uma vez, pregar não será possível novamente até que remova o dedo do gatilho e retire completamente a ferramenta da superfície da madeira.

- MECANISMO DE ATUAÇÃO DE CONTACTO: A ATUAÇÃO DE CONTACTO pode seguir duas sequências diferentes, dependendo da sua utilização. Para disparar vários pregos:

1. Puxe o gatilho.
2. Prima a alavanca de pressão contra a madeira para disparar o prego.
3. Se o gatilho estiver pressionado para trás, um prego será disparado sempre que a alavanca de pressão for pressionada contra a madeira.

Para disparar apenas um prego:

1. Pressione a alavanca de pressão contra a madeira.
2. Puxe o gatilho para disparar o prego.
3. Retire o dedo do gatilho e remova a pistola de pregos da madeira.

[Mecanismo de bloqueio de disparo a seco]

A NT1865DBAL e NT1865DBSL dispõem de um mecanismo de prevenção da operação sem carregamento.

A NT1865DBAL e NT1865DBSL entram num estado em que a alavanca de pressão não pode ser empurrada para cima. Isto ocorre quando o carregador não está carregado com pregos ou quando o número restante de pregos for menos de 6 ou 9.

PRECAUÇÃO

Tenha o cuidado de não atirar a ponta da alavanca de pressão para a madeira quando a alavanca de pressão não puder ser empurrada para cima.

1. Procedimentos de pregar

Esta Pistola de Pregos está equipada com a alavanca de pressão e não funciona a menos que a alavanca de pressão esteja premdida.

Existem dois métodos de operação para disparar pregos com esta Pistola de Pregos.

Estes são:

1. Operação intermitente (Disparo por gatilho):
2. Operação contínua (Disparo por alavanca de pressão):

- (1) Operação intermitente (Disparo por gatilho)

Use a definição do MECANISMO DE ATUAÇÃO SEQUENCIAL COMPLETA. (Consulte a Fig. 17)

AVISO

- Para a operação intermitente, Coloque o interruptor de operação de pregar para o MECANISMO DE ATUAÇÃO SEQUENCIAL COMPLETA (O indicador de operação acende-se a azul.) (ou seja, Definida para MECANISMO DE ATUAÇÃO ÚNICA.)
- Para evitar o disparo duplo ou disparo acidental devido ao coice.
 - 1) Definido para MECANISMO DE ATUAÇÃO SEQUENCIAL COMPLETA.
 - 2) Puxe o gatilho rapidamente e com firmeza.

- ① Coloque o interruptor de operação de pregar para o MECANISMO DE ATUAÇÃO SEQUENCIAL COMPLETA (O indicador de operação acende-se a azul.)
(para definir para MECANISMO DE ATUAÇÃO SEQUENCIAL COMPLETA).
(Defina o dispositivo de comutação para a luz do indicador de operação de pregar no modo azul completamente como mostrado na Fig. 17. Caso contrário, este será definido para MECANISMO DE ATUAÇÃO DE CONTACTO.)
- ② Posicione a saída do prego na peça de trabalho com o dedo fora do gatilho.
- ③ Pressione a alavanca de pressão com firmeza até que esteja completamente premida.
- ④ Puxe o gatilho para pregar um prego.
- ⑤ Remova o dedo do gatilho e levante a ferramenta completamente para fora da superfície da madeira.

Para continuar a pregar num local separado, mova a pistola de pregos ao longo da madeira, repetindo os passos ② - ⑤ conforme necessário.

NOTA

As operações ③ e ④ devem ser executadas dentro de 2 segundos entre cada uma. Se passarem mais de 2 segundos após ③, a Pistola de Pregos não trabalhará corretamente. Se tal acontecer, tente novamente a partir de ③.

- (2) Operação contínua (Disparo por alavanca de pressão)
Usando o MECANISMO DE ATUAÇÃO DE CONTACTO (Consulte a Fig. 18)

AVISO

Para evitar o disparo duplo ou disparo acidental devido ao coice.

- 1) Não pressione a pistola de pregos contra a madeira com demasiada força.
- 2) Separe a pistola de pregos da madeira quando ocorrer o coice após pregar.

- ① Coloque o interruptor de operação de pregar para o MECANISMO DE ATUAÇÃO CONTACTO (O indicador de operação pisca a azul.)
(para definir para MECANISMO DE ATUAÇÃO DE CONTACTO).
(Defina o dispositivo de comutação para a luz do indicador de operação de pregar piscar a azul completamente como mostrado na Fig. 18. Caso contrário, este não funcionará corretamente.)
- ② Puxe o gatilho com a Pistola de Pregos fora da peça de trabalho.
- ③ Prima a alavanca de pressão contra a peça de trabalho para disparar um prego.
- ④ Mova a Pistola de Pregos ao longo da peça de trabalho com um movimento de ressaltar.
Cada pressão da alavanca de pressão irá disparar um prego.

Assim que o número desejado de pregos for disparado, remova o dedo do gatilho.

NOTA

As operações ② e ③ devem ser executadas dentro de 2 segundos entre cada uma. Se passarem mais de 2 segundos após ②, a Pistola de Pregos não trabalhará corretamente. Se tal acontecer, tente novamente a partir de ②.

AVISO

- Mantenha o dedo fora do gatilho exceto durante a operação de pregar, dado que poderão ocorrer lesões graves se a alavanca de pressão entrar em contacto accidental consigo ou outras pessoas na área de trabalho.
- Mantenha as mãos e o corpo longe da área de descarga. Esta pistola de pregos da HIKOKI pode ressaltar devido ao coice causado pelo disparo de um prego e pode ser disparado subsequentemente um prego indesejado, causando uma possível lesão.

NOTA

- Se todos os avisos e instruções forem seguidos, a operação segura é possível com todos os dois sistemas: MECANISMO DE ATUAÇÃO SEQUENCIAL COMPLETA, MECANISMO DE ATUAÇÃO DE CONTACTO.
- Manuseie sempre os pregos e a embalagem cuidadosamente. Se os pregos forem deixados cair, a ligação da cola pode ficar partida, o que causará má alimentação e encravamento.
- Depois de pregar:
 - 1) remova a bateria da Pistola de Pregos;
 - 2) Remova todos os pregos da Pistola de Pregos;

2. Ajustar a profundidade de pregar

Para assegurar que cada prego penetra com a mesma profundidade, certifique-se de que a Pistola de Pregos é sempre segurada com firmeza contra a peça de trabalho. Se os pregos forem colocados com profundidade a mais ou a menos na peça de trabalho, ajuste o método de pregar na seguinte ordem.

- ① Retire a bateria da Pistola de Pregos.
- ② Se os pregos forem colocados com demasiada profundidade, vire o regulador para o lado menos profundo. (Consulte a Fig. 19)
Os ajustes são efetuados em incrementos de meia volta. Se os pregos forem colocados com menos profundidade, vire o regulador para o lado mais profundo. (Consulte a Fig. 20)
- ③ Pare de girar o regulador quando uma posição adequada for atingida para um teste de pregar.
- ④ Conecte a bateria à Pistola de Pregos.
USE SEMPRE ÓCULOS DE PROTEÇÃO.
Realize um teste de pregar.
- ⑤ Retire a bateria da Pistola de Pregos.
- ⑥ Escolha uma posição adequada para o regulador.

3. Usar o gancho (Consulte a Fig. 21, 22, 23)

AVISO

Quando usar o gancho, desligue o interruptor de alimentação (luz verde "OFF"). Preste atenção suficiente para que o equipamento principal não caia.
Se a ferramenta cair, existe o risco de acidente.

O gancho pode ser instalado no lado esquerdo ou direito. (excluindo NT1865DBAL)

- ① Remova a bateria e, em seguida, remova todos os pregos restantes no carregador.
- ② Segure bem a unidade principal e remova o parafuso com uma chave de parafusos. (Consulte a Fig. 21)
- ③ Remova o gancho e a placa do gancho. (Consulte a Fig. 22)
- ④ Instale o gancho no outro lado e prenda firmemente com o parafuso. (Consulte a Fig. 23)

NOTA

O gancho pode ser usado como um suporte.

4. Usar a tampa do nariz (Consulte a Fig. 24, 25)

AVISO

Ao montar ou retirar a tampa do nariz, certifique-se de que remove o seu dedo do gatilho e remova todos os pregos e a bateria da pistola de pregos.

Se gosta de proteger a superfície da peça de trabalho contra arranhões ou marcas feitas pela alavanca de pressão, coloque a tampa do nariz acessória na alavanca de pressão.

- ① Retire todos os pregos restantes e a bateria da pistola de pregos.
- ② Coloque a tampa do nariz na biqueira da alavanca de pressão.
- ③ A tampa do nariz é marcada para indicar o ponto de saída do prego, tornando o alinhamento mais fácil.
- ④ Quando não estiver a utilizar a tampa do nariz, fixe-a ao compartimento de armazenamento localizado na parte de trás do carregador.

Português

NOTA

A tampa de nariz pode reduzir a profundidade ao pregar devido à sua espessura. É necessário o reajuste da profundidade do prego.

5. Eliminar um encravamento

Se ficarem encravados pregos na cabeça de disparo, remova-os e ajuste o pregar na seguinte ordem.

PRECAUÇÃO

Retire a bateria da Pistola de Pregos.

- ① Retire a bateria da Pistola de Pregos.
- ② Retire todos os pregos.
- ③ Solte a Alavanca de bloqueio e abra a placa de guia. (Consulte a Fig. 26)
- ④ Remova o prego encravado com uma chave de fendas de cabeça ranhurada. (Consulte a Fig. 27)

PRECAUÇÃO

- NUNCA bata na lâmina de disparo.
 - NUNCA aponte a ferramenta para si ou outra pessoa, para evitar o risco de ferimentos por disparo acidental. Mesmo se a bateria for removida da pistola de pregos, ainda existe energia de ar comprimido lá dentro.
- ⑤ Feche a placa de guia e trave.

NOTA

Em caso de encravamento frequente, contacte um centro de serviço autorizado da HiKOKI.

6. Armazenamento

Armazene a ferramenta elétrica num local em que a temperatura seja inferior a 40°C e fora do alcance das crianças.

NOTA

Armazene baterias de íons de lítio.

Certifique-se de que as baterias de íons de lítio foram totalmente carregadas antes de armazená-las.

O armazenamento prolongado (3 meses ou mais) das baterias com pouca carga pode resultar em deterioração do desempenho, redução significativa do tempo de utilização das baterias ou tornar as baterias incapazes de manter a carga.

Contudo, um tempo de utilização da bateria significativamente reduzido pode ser recuperado carregando e utilizando repetidamente as baterias duas a cinco vezes.

Se o tempo de utilização da bateria for extremamente curto apesar do carregamento e utilização repetidos, considere as baterias esgotadas e compre baterias novas.

PRECAUÇÃO

Na operação e na manutenção das ferramentas elétricas, devem-se observar as normas de segurança e os padrões prescritos por cada país.

Aviso importante sobre as baterias para as ferramentas sem fios da HiKOKI.

Utilize sempre uma das nossas baterias originais designadas. Não podemos garantir a segurança e o desempenho da nossa ferramenta elétrica sem fios quando é utilizada com baterias diferentes das baterias designadas por nós ou quando a bateria é desmontada e modificada (assim como desmontagem e substituição das células ou outras peças internas).

GARANTIA

Garantimos que a HiKOKI Power Tools obedece às normas legislativas de cada país. Esta garantia não cobre avarias ou danos derivados de má utilização, abuso ou desgaste normal. Em caso de queixa, envie a Ferramenta elétrica, não desmontada, juntamente com o CERTIFICADO DE GARANTIA que se encontra no fundo destas instruções de utilização, para um centro de assistência autorizado da HiKOKI.

MANUTENÇÃO E INSPEÇÃO

PRECAUÇÃO

Certifique-se de que remove todos os restantes pregos e a bateria da pistola de pregos antes da manutenção e inspeção.

1. Inspeccionar o carregador

- ① Retire a bateria da Pistola de Pregos.
- ② Limpe o carregador. Remova pó e lascas de madeira que tenham ficado acumulados no carregador.

PRECAUÇÃO

Verifique se o alimentador de pregos desliza suavemente puxando-o com o dedo.

Se não for liso, os pregos podem ser conduzidos num ângulo irregular e ferir alguém.

2. Inspeccionar os parafusos de montagem

Inspeccione regularmente todos os parafusos de montagem e certifique-se de que estão bem apertados. Caso algum parafuso esteja solto, reaperte-o imediatamente. Caso contrário, pode resultar em ferimentos graves.

3. Manutenção do motor

O enrolamento do motor do aparelho é o "coração" da ferramenta elétrica. Tome o devido cuidado para garantir que o enrolamento não se danifica e/ou fica molhado com óleo ou água.

4. Inspeção de terminais (ferramenta e bateria)

Certifique-se de que limalhas e pó não se acumulam nos terminais.

Verifique ocasionalmente antes, durante e depois da produção.

PRECAUÇÃO

Remova quaisquer limalhas ou pó acumulados nos terminais.

Caso contrário, poderá resultar em avaria.

5. Limpar o exterior

Quando a ferramenta elétrica estiver manchada, limpe com um pano suave e seco ou um pano humedecido em água com sabão. Não utilize solventes clorídricos, gasolina ou diluentes, uma vez que derretem plásticos.

Informações relativas a ruído

Valores de ruído característicos em conformidade com a norma EN 60745:

Nível de potência sonora com ponderação A

$$L_{WA,1s,d} = 92 \text{ dB}$$

Pressão sonora com ponderação A na estação de trabalho

$$L_{pA,1s,d} = 81 \text{ dB}$$

Incerteza KpA: 3 dB

Estes valores são valores característicos relacionados com a ferramenta e não representam o desenvolvimento de ruído aquando da utilização. O desenvolvimento de ruído aquando da utilização dependerá, por exemplo, do ambiente de trabalho, da peça de trabalho, do suporte da mesma, do número de operações, etc.

Dependendo das condições do espaço de trabalho e do formato da peça de trabalho, pode ser necessário implementar medidas de atenuação do ruído individual, tais como colocar as peças de trabalho em suportes de amortecimento de som, evitando a vibração da peça de trabalho através de aperto ou cobertura, etc.

Em casos especiais, é necessário usar equipamento de protecção auditiva.

Informações relativas a vibração

Valor característico de vibração em conformidade com a norma EN 60745: 2,6 m/s²

Incerteza K = 1,5 m/s²

Estes valores são valores característicos relacionados com a ferramenta e não representam a influência no sistema mão-braço ao utilizar a ferramenta. Uma influência no sistema mão-braço ao utilizar a ferramenta dependerá, por exemplo, da força de prensão, da força de pressão de contacto, da direcção de trabalho, do ajuste do fornecimento de energia, da peça de trabalho e do suporte da mesma.

O valor total de vibração declarado foi medido de acordo com um método de teste padrão e pode ser utilizado para comparar ferramentas.

Pode também ser utilizado numa avaliação preliminar de exposição.

AVISO

- O valor de emissão de vibrações durante a utilização da ferramenta elétrica pode ser diferente do valor total declarado, consoante as formas de utilização da ferramenta.
- Identificar as medidas de segurança para proteger o operador, que são baseadas numa estimativa de exposição nas atuais condições de utilização (tendo em conta todas as partes do ciclo de funcionamento, tais como os tempos em que a ferramenta é desligada e quando está a funcionar ao ralenti, além do tempo de acionamento do gatilho).

NOTA

Devido ao programa contínuo de pesquisa e desenvolvimento da HiKOKI, as especificações aqui contidas estão sujeitas a mudanças sem aviso prévio.

abela de manutenção

AÇÃO	PORQUÊ	COMO
Limpe o carregador e o mecanismo do alimentador.	Evite um encravamento.	Limpar soprando diariamente.
Mantenha a alavanca de pressão a funcionar corretamente.	Promova a segurança do operador e a operação eficiente da Pistola de Pregos.	Limpar soprando diariamente.

RESOLUÇÃO DE PROBLEMAS

Use as inspeções na tabela abaixo se a ferramenta não funcionar normalmente. Se isto não resolver o problema, consulte o seu revendedor ou o Centro de Assistência Autorizado da HiKOKI.

PROBLEMA	MÉTODO DE VERIFICAÇÃO	CORREÇÃO
O interruptor de alimentação não liga. Liga uma vez, mas desliga-se automaticamente.	Carga da bateria fraca.	Carregue a pilha.
	Eletrónica interna danificada.	Contacte a HiKOKI para proceder à substituição.
	A alavanca de pressão e/ou o gatilho estão no estado ligado (ON)?	Mantenha a alavanca de pressão e o gatilho no estado desligado (OFF).
	Mantém-se sem operação durante mais de 30 minutos ? (Função de desligar a alimentação automaticamente)	Prima e mantenha premido o interruptor de alimentação durante mais de 1 segundo para ligar para "ON"

Português

PROBLEMA	MÉTODO DE VERIFICAÇÃO	CORREÇÃO
A Pistola de Pregos não funciona (Interruptor de alimentação ligado (ON)).	A Pistola de Pregos não está suficiente premida contra a peça de trabalho.	Segure a pistola de pregos firmemente e completamente contra a peça de trabalho.
	O gatilho não está suficientemente puxado.	Puxe o gatilho com firmeza.
	Passam mais de 2 segundos desde ligar a alavanca de pressão até ligar o gatilho (ou ligar o gatilho até ligar a alavanca de pressão).	Certifique-se que passam menos de 2 segundos entre ligar a alavanca de pressão e ligar o gatilho ou (ligar o gatilho e ligar a alavanca de pressão).
	Mecanismo preventivo ativado. (Sem pregos, ou muito poucos pregos restantes) (excluindo NT1850DBSL)	Volte a carregar os pregos no carregador.
	A alavanca de bloqueio do interruptor (Função de bloqueio do gatilho) está na posição "ON".	Defina a alavanca de bloqueio do interruptor para a posição "OFF". (Consulte a Fig. 8)
	A máquina está demasiado fria (abaixo de -5°C) ou demasiado quente. (A luz LED pisca em intervalos regulares, e o interruptor de alimentação desliga-se passados 10 segundos.) (Consulte a página 122)	Permita que a pistola de pregos arrefeça ou aqueça adequadamente em condições adequadas.
	Eletrónica interna danificada.	Contacte a HiKOKI para proceder à substituição.
A Pistola de Pregos opera, mas não é disparado um prego.	O carregador está sujo.	Sopre e limpe o carregador.
	Verifique se há um encravamento.	Elimine um encravamento (consulte a Fig. 26, 27).
	A lâmina de disparo está gasta ou danificada?	Contacte a HiKOKI para proceder à substituição.
	A mola da fita está enfraquecida ou danificada?	Substitua a mola da fita.
	O alimentador de pregos está danificado?	Substitua o alimentador de pregos.
	Verifique se tem pregos adequados.	Utilize apenas os pregos recomendados.
Disparo fraco. Ciclo lento.	Verifique a posição do regulador do ajuste de profundidade ao pregar.	Reajuste de acordo com a Fig. 19, 20 .
	A lâmina de disparo está desgastada?	Contacte a HiKOKI para proceder à substituição.
	A pressão de ar comprimido tornou-se baixa.	Contacte a HiKOKI para proceder à substituição.
	Eletrónica interna danificada.	Contacte a HiKOKI para proceder à substituição.
Dispara com muita profundidade.	Verifique a posição do regulador do ajuste de profundidade ao pregar.	Reajuste de acordo com a Fig. 19, 20 .
A saltar pregos. Alimentação intermitente.	Verifique se tem pregos adequados.	Utilize apenas os pregos recomendados.
	O alimentador de pregos está danificado?	Substitua o alimentador de pregos.
	A mola da fita está enfraquecida ou danificada?	Substitua a mola da fita.
	A lâmina de disparo está gasta ou danificada?	Contacte a HiKOKI para proceder à substituição.
Os pregos encravam. O prego disparado é dobrado.	Verifique se tem pregos adequados.	Utilize apenas os pregos recomendados.
	A lâmina de disparo está gasta ou danificada?	Contacte a HiKOKI para proceder à substituição.

ALLMÄNNA SÄKERHETSVARNINGAR FÖR ELEKTRISKA VERKTYG

⚠ VARNING

Läs alla säkerhetsvarningar och alla instruktioner.

Underlåtenhet att följa varningarna och instruktionerna nedan kan resultera i elstötar, brand och/eller allvarliga skador.

Spara alla varningar och instruktioner för framtida referens.

Uttrycket "elektriskt verktyg" i varningar hänvisar till ditt eldrivna (med sladd) eller batteridrivna (sladdlöst) elektriska verktyg.

1) Säkerhet på arbetsplats

a) Håll arbetsplatsen ren och välbelyst.

Föriga eller mörka arbetsplatser inbjuder till olyckor.

b) Använd inte elektriska verktyg i explosiva omgivningar, som t ex i närvaro av antändliga vätskor, gaser eller damm.

Elektriska verktyg bildar gnistor som kan antända dammet eller ångorna.

c) Håll barn och kringstående på avstånd när du arbetar med ett elektriskt verktyg.

Distractioner kan få dig att tappa kontrollen.

2) Elektrisk säkerhet

a) Det elektriska verktygets stickpropp måste matcha uttaget.

Modifiera aldrig stickproppen.

Använd inte adapterstickproppar till jordade elektriska verktyg.

Omodifierade stickproppar och matchande uttag minskar risken för elstötar.

b) Undvik kroppskontakt med jordade ytor som t ex rör, värmeelement, spisar och kylskåp.

Det finns ökad risk för elstötar om din kropp är jordad.

c) Utsätt inte elektriska verktyg för regn eller väta.

Om vatten kommer in i ett elektriskt verktyg ökar risken för elstötar.

d) Misshandla inte sladden. Använd aldrig sladden för att bära, dra eller dra ur sladden till det elektriska verktyget.

Håll sladden borta från värme, olja, skarpa kanter eller rörliga delar.

Skadade eller tilltrasslade sladdar ökar risken för elstötar.

e) Använd en förlängnings-sladd som är lämplig för utomhusbruk när du arbetar med det elektriska verktyget utomhus.

Användning av en sladd som är lämplig för utomhusbruk minskar risken för elstötar.

f) Om du inte kan undvika att använda ett elektriskt verktyg på en fuktig plats, använd ett uttag med jordfelsbrytare.

Användning av en jordfelsbrytare minskar risken för elektrisk stöt.

3) Personlig säkerhet

a) Var vaksam, se upp med vad du gör och använd sunt förnuft när du arbetar med ett elektriskt verktyg.

Använd inte elektriska verktyg när du är trött, drog- eller alkoholpåverkad eller har tagit mediciner.

Ett ögonblicks uppmärksamhet under arbetet kan resultera i allvarliga personskador.

b) Använd personskyddsutrustning. Ha alltid ögonskydd.

Skyddsutrustning som till exempel ansiktsmask, glidfria säkerhetsskor, hjälm eller hörselskydd för tillämpliga förhållanden minskar personskadorna.

c) Förebygg oavsiktlig start. Se till att omkopplaren står i läge av innan du ansluter det elektriska

verktyget till strömkällan och/eller batteriet, tar upp eller bär verktyget.

Att bära det elektriska verktyget med fingret på omkopplaren eller kraftansluta det elektriska verktyget då omkopplaren är på inbjuder till olyckor.

d) Avlägsna eventuell justeringsnyckel eller skruvnyckel innan du startar det elektriska verktyget.

En skruvnyckel eller nyckel som lämnats kvar på en roterande del av det elektriska verktyget kan resultera i personskador.

e) Sträck dig inte för långt. Stå alltid stadigt på fötterna och håll balansen.

På så sätt får du bättre kontroll över det elektriska verktyget i oväntade situationer.

f) Klä dig korrekt. Ha inte på dig vida, lösa kläder eller smycken. Håll håret, kläderna och handskarna borta från rörliga delar.

Vida kläder, smycken eller långt hår kan fastna i de rörliga delarna.

g) Om tillbehör för anslutning av dammuppsugnings- och dammsamlingsanordningar ingår, se då till att dessa anordningar ansluts och används på korrekt sätt.

Användning av dammsamling kan minska dammrelaterade faror.

4) Användning och skötsel av elektriska verktyg

a) Tvinga inte det elektriska verktyget. Använd korrekt verktyg för det du ska göra.

Korrekt verktyg gör arbetet bättre och säkrare med den hastighet som det är avsett för.

b) Använd inte det elektriska verktyget om omkopplaren inte kan vridas Från eller Till.

Elektriska verktyg som inte kan kontrolleras med omkopplaren är farliga och måste repareras.

c) Dra ut sladden ur uttaget och/eller batteriet från det elektriska verktyget innan du gör justeringar, byter tillbehör eller magasinerar det elektriska verktyget.

Sådana förebyggande säkerhetsåtgärder minskar risken för att det elektriska verktyget startar oavsiktligt.

d) Förvara elektriska verktyg som inte används utom räckhåll för barn och låt inte personer som är obekanta med verktyget eller dessa instruktioner använda verktyget.

Elektriska verktyg är farliga i händerna på otränade användare.

e) Underhåll elektriska verktyg. Kontrollera med avseende på felaktig inriktning eller om rörliga delar kärvar, om delar har spruckit samt alla andra tillstånd som kan påverka verktygets drift. Om verktyget är skadat se till att det repareras innan du använder det.

Många olyckor förorsakas av dåligt underhållna verktyg.

f) Håll skärverktygen skarpa och rena.

Korrekt underhållna skärverktyg med skarpa skåreggar kärvar inte och är lättare att kontrollera.

g) Använd det elektriska verktyget, tillbehör och hårdmetallskär etc. i enlighet med dessa instruktioner, samtidigt som du tar arbetsförhållanden och det arbete som ska utföras med i beräkningen.

Att använda det elektriska verktyget för andra ändamål än det är avsett för kan resultera i farliga situationer.

5) Användning och vård av batteriverktyg

a) Ladda endast med laddare som angetts av tillverkaren.

En laddare som passar för en typ av batteri kan orsaka brandfara om den använd med ett annat batteri.

- b) **Använd verktyg endast med specifikt avsedda batteri.**
Användning av annat batteri kan orsaka risk för skada eller brand.
- c) **När batteriet inte används förvara det frånskilt från andra metallföremål så som gem, mynt, nycklar, spikar, skruvar eller andra metallföremål som kan orsaka anslutning från en pol till en annan.**
Kortslutning av batteripolerna kan orsaka brännkada eller brand.
- d) **Vid oriktigt handhavande kan vätska komma ut från batteriet; undvik kontakt. Om kontakt av misstag sker, spola med vatten. Om vätska kommer i ögonen sök medicinsk hjälp.**
Vätska som läcker från batteriet kan orsaka irritation eller brännskador.
- 6) **Service**
- a) **Låt en kvalificerad reparatör utföra service på ditt elektriska verktyg och använd bara identiska reservdelar.**
Detta garanterar att det elektriska verktyget alltid är säkert och fungerar som det ska.

FÖREBYGGANDE ÅTGÄRD

Håll barn och bräckliga personer på avstånd. När verktygen inte används ska de förvaras utom räckhåll för barn och bräckliga personer.

SÄKERHETSVARNINGAR FÖR SLADDLÖST DYCKERTVERKTYG/ SLADDLÖS DYCKERTPISTOL

- 1. Antag alltid att klammerpistolen är laddad.**
Oförsiktig hantering av spikpistolen kan orsaka oväntad avfyring av klamrar, samt personskador.
- 2. Peka inte verktyget mot dig själv eller någon annan i närheten.**
Unexpected triggering will discharge the fastener causing an injury.
- 3. Aktivera inte verktyget om verktyget inte är ordentligt placerat mot arbetsstycket.**
Om verktyget inte är i kontakt med arbetsstycket kan klamman avvika från ditt mål.
- 4. Koppla loss verktyget från strömkällan när klammer har fastnat i verktyget.**
När du tar bort en fastnad klammer kan spikpistolen oavsiktligt aktiveras om den är inkopplad.
- 5. Var försiktig när du tar bort fastnade klammer.**
Mekanismen kan vara under tryck och klämmor avfyras med tryck medan du försöker att fixa fästa klammer.
- 6. Använd inte den här spikpistolen för att fästa elektriska kablar.**
Det är inte utformad för montering av elektriska kablar och kan skada isoleringen på elektriska kablar och därför orsaka elektriska stötar eller brand.

YTTERLIGARE SÄKERHETSVARNINGAR

- 1. Använd spikpistolen korrekt och säkert.**
Spikpistolen är konstruerad för indrivning av spikar i trä och liknande material. Använd den endast till det den är avsedd för.
- 2. Var aktsam på antändningar och explosioner.**
Eftersom spikning kan orsaka gnistor finns det risk för eldsvåda eller explosion, om spikpistolen används i närheten av lackfärg, målarfärg, bensin, thinner, gas, lim eller andra lättantändliga ämnen. Spikpistolen bör därför inte under några omständigheter användas i närheten av något lättantändligt ämne.

3. Bär alltid ögonskydd (skyddsglasögon).



Bär alltid ögonskydd vid användning av spikpistolen. Se också till att personer i närheten bär ögonskydd.

Det finns risk för att bitar av spikar som träffat fel när ögonen, vilket kan orsaka synskador. Lämpliga ögonskydd finns att köpa i de flesta järnaffärer. Bär alltid ögonskydd vid användning av verktyget. Bär antingen skyddsglasögon eller ett skyddsvisir utanpå vanliga glasögon.

Arbetsgivare bör alltid påtvinga användning av ögonskyddsutrustning.

4. Skydda öron och huvud.

Bär öronskydd och huvudskydd vid användning av spikpistolen. Se också till att personer i närheten bär öronskydd och huvudskydd, när det anses lämpligt.

5. Observera personer som arbetar i närheten.

En spik som inte drivs in korrekt kan orsaka en allvarig olycka, om den skulle råka träffa en annan person. Var därför alltid noga med att garantera säkerheten för personer i närheten, när spikpistolen används. Kontrollera alltid att inte en hand, en fot eller någon annan kroppsdel finns i närheten av spikmynningen.

6. Rikta aldrig spikmynningen mot en människa.



Antag alltid att spikpistolen är laddad. Om spikmynningen riktas mot en människa och spikpistolen avfyras av misstag kan det orsaka en allvarig olycka. Se till att inte rikta spikmynningen mot någon människa (inklusive dig själv) vid anslutning och bortkoppling av batteriet, laddning av spikar eller annan hantering av spikpistolen. Även om ingen spik finns i spikpistolen är det farligt att avfyra den mot en människa. Lek därför aldrig med spikpistolen utan använd den endast som ett arbetsverktyg.

7. Kontrollera tryckarmen före användning.

Säkerställ att tryckarmen fungerar ordentligt. (Tryckarmen kan även kallas "Säkerhet".) Använd aldrig spikpistolen om inte tryckarmen fungerar som den ska. Annars kan spikpistolen driva in en klammer oväntat. Manipulera inte eller ta bort tryckarmen, annars slutar den att fungera.

8. Val av avtryckarmetod är viktigt.

Läs och förstå avsnittet som heter "SÅ HÄR ANVÄNDER DU SPIKPISTOLEN" på sidan 140.

9. Innan du använder den här produkten, se till att den fungerar ordentligt i enlighet med innehållet i "Testa spikpistolen" på sidan 139.

10. Använd endast specificerade spikar.

Använd aldrig andra typer av spikar än de som specificeras och beskrivs i denna bruksanvisning.

11. Var försiktig vid anslutning av slangen.

Se noga till att följa nedanstående uppmaningar vid anslutning av slangen eller laddning av spik.

- Vidrör inte avtryckaren.
- Låt inte avfyrningshuvudet komma i kontakt med någon yta.
- Håll avfyrningshuvudet vänt neråt.

Observera noga ovanstående anvisningar och se alltid till att inte händer, ben eller någon annan kroppsdel någonsin befinner sig framför spikmynningen.

12. Sätt inte oaksamt fingret på avtryckaren.

Sätt inte fingret på avtryckaren annat än när spikning verkligen ska ske. Om spikpistolen bärs eller överräcks till någon annan med fingret på avtryckaren finns det risk för att en spik avfyras av misstag och orsakar en olycka.

13. Tryck spikmynningen ordentligt mot materialet som ska spikas.

Tryck spikmynningen ordentligt mot materialet ifråga, när en spik ska drivas in. Om mynningen inte har ordentlig kontakt med materialet kan det hända att spiken studsar tillbaka.

14. Håll händer och fötter borta från avfyrringshuvudet vid användning.



Det är mycket farligt om en spik av misstag träffar en hand eller en fot.

15. Var beredd på spikpistolens rekyl.

Se till att inte komma för nära spikpistolens övre del med huvudet etc. under pågående arbete. Det kan vara farligt, eftersom spikpistolens kan rekylera kraftigt i händelse av att en spik som drivs in stöter på en annan spik eller en hård kvist.

16. Var försiktig med dubbel avfyrring orsakad av rekyl.

Om tryckarmen oavsiktligt tillåts kontakta arbetsstycket igen efter en rekyl kommer en oönskad klammer att drivas in.

För att undvika den oönskade dubbla avfyrringen,

○ Intermittent drift (avfyrring med avtryckaren)

1) Ställ in växlarenheten till FULL SEKVENTIELL UTLÖSNINGSMEKANISM.

2) Tryck in avtryckaren snabbt och säkert.

○ Kontinuerlig drift (tryckarmen avfyras)

1) Tryck inte spikpistolens mot trä med överdriven kraft.
2) Ta bort spikpistolens från träet eftersom det rekylar efter fästandet.

17. Var försiktig vid spikning i tunna skivor eller träkanter.

Vid spikning i tunna skivor finns det risk för att spikarna går rakt igenom, vilket även kan hända vid spikning i kanter på trämaterial då spikarna lätt viker av. Kontrollera i detta fall alltid att ingen person (eller hand, fot etc.) finns på andra sidan den tunna skivan eller intill trämaterialen ifråga.

18. Spika aldrig samtidigt från båda sidor i samma vägg.

Samtidig spikning från båda sidor i samma vägg bör inte ske under några som helst omständigheter. Det vore mycket farligt, eftersom det då kan hända att en spik går rakt igenom väggen och skadar personen på andra sidan.

19. Använd inte spikpistolens på byggnadsställningar eller stegar.

Spikpistolens är inte lämpad för sådana specifika användningar som exempelvis:

- byte av spikposition genom användning av en byggnadsställning, en trappa, en stege eller en takläkt eller annan steglignande konstruktion,
- stängning av lådor eller häckar,
- montering av transportsäkerhetssystem i t.ex. fordon eller vagnar.

20. Ta ur batteriet och alla återstående klamrar från spikpistolens när:

- 1) du utför underhåll och inspektion;
- 2) du kontrollerar att tryckarmen och avtryckaren fungerar korrekt;
- 3) du sätter på eller tar av noshylsan;
- 4) du åtgärdar fastnat objekt;
- 5) den inte är i bruk;
- 6) arbetsområdet lämnas;
- 7) den flyttas till en annan plats;
- 8) den lämnas till en annan person.

Försök aldrig att åtgärda något som fastnat eller att reparera spikpistolens om du inte har tagit ur batteriet och alla återstående klamrar från spikpistolens.

Spikpistolens får aldrig lämnas utan uppsikt eftersom människor som inte känner till den kan hantera den och skada sig.

21. Ta ur batteriet från spikpistolens när:

- 1) du laddar spikar;
- 2) du vrider på justerarna.

22. Koppla bort batteriet.

Vid anslutning och borttagning av noshylsan, koppla loss batteriet.

Vid anslutning av tillbehöret noshylsan till kanten på tryckarmen och vid borttagning av den, se till att koppla loss batteriet först. Det är väldigt farligt om en spik avfyras av misstag.

23. Detta verktyg skall användas vid temperaturer mellan 0°C och 40°C, se till att verktyget används inom detta temperaturintervall. Verktyget kan upphöra att fungera under 0°C och över 40°C.

24. Ladda alltid batteriet vid en omgivningstemperatur på 0 – 40°C.

Laddning vid temperaturer under 0°C kan leda till överladdning som är farlig. Batteriet kan inte laddas vid högre temperaturer än 40°C.

Den mest lämpliga laddningstemperaturen är 20 – 25°C.

25. Använd inte laddaren oavbrutet

Låt aggregatet vila i ca. 15 minuter mellan varje laddning.

26. Se till att inga främmande föremål hamnar i verktyget genom batteriöppningen eller uttagen.

27. Ta aldrig isär varken det uppladdningsbara batteriet eller laddningsaggregatet.

28. Se till att det uppladdningsbara batteriet inte kortsluts.

Det resulterar i hög elektrisk spänning och överhettning, som kan skada batteriet.

29. Kasta inte in batteriet i eld.

Om batteriet brinner, kann det explodera.

30. Laddningsaggregatet skadas när du använder ett urladdat batteri.

31. Kasta inte bort det urladdade batteriet med sopor.

Så snart batteriets efterladdningstid blir för kort för verktygets praktiska användning, skall du föra eller skicka batteriet till återförsäljaren.

32. Se till att inga föremål eller främmande ämnen hamnar i laddningsaggregatets ventilationshål.

För inte in metallföremål eller brandfarliga ämnen i laddarens ventilationsöppningar, risk för elektrisk chock eller skador på laddaren.

33. Låt ALDRIG magneter (eller liknande magnetiska enheter) ligga intill spikpistolens, eftersom det finns en magnetisk sensor i spikpistolens.

Att göra det kommer att orsaka ett fel eller risk för personskada på grund av fel.

34. Paus vid långvarig användning.

35. Det elektriska verktyget är utrustat med en temperaturskyddskrets för att skydda motorn. Kontinuerligt arbete kan få enhetens temperatur att stiga, vilket aktiverar temperaturskyddskretsen och driften stoppas automatiskt. Om detta inträffar, låt det elektriska verktyget svalna innan du fortsätter användningen.

36. Den här produkten kan upphöra att fungera när en avvikelse upptäcks. Kontrollera i så fall de punkter som anges under "FELSÖKNING" på sidan 144.

37. Utsätt inte brytarpanelen för kraftiga stötar eller ha sönder den. Det kan leda till problem.

38. Använd inte produkten om verktyget eller batteripolarna (batteriluckan) är deformerade.

Att montera ett sådant batteri kan orsaka kortslutning vilket kan leda till rökutsläpp eller antändning.

39. Håll verktygets anslutningar (batterilucka) fri från spån och damm.

○ Före användning, se till att spån och damm inte har ansamlats i området vid terminalerna.

○ Försök att undvika att spån eller damm på verktyget hamnar på batteriet under drift.

○ När du avbryter drift eller efter användning, lämna inte verktyget i ett område där det kan utsättas för fallande spån eller damm.

Detta kan orsaka kortslutning som kan leda till rökutveckling eller brand.

VARNING FÖR LITIUMJONBATTERI

För att förlänga livstiden är litiumjonbatteriet utrustat med en skyddsfunktion som stoppar utmatning.

I händelse av 1 till 3 som beskrivs nedan, vid användning av denna produkt, även om du trycker på knappen kan det hända att motorn stannar. Detta är inget fel utan ett resultat av skyddsfunktionen.

1. När kvarvarande batterikraft tar slut stannar motorn. I detta fall ladda omedelbart upp det.
2. Om verktyget är överbelastat kan motorn stanna. Om så händer släpp knappen på verktyget och ta åtgärda orsaken till överbelastningen. Du kan använda det igen när det svalnat.
3. Om batteriet överhettas under för hög belastning kan batteriet ta slut. Om detta händer, sluta använda batteriet och låt det svalna. Du kan använda det igen när det svalnat.

Vidare, var god beakta följande varningar och föreskrifter.

VARNING

För att förebygga läckage från batteri, värmeutveckling, rök, explosion och eldsvåda, var god beakta följande försiktighetsåtgärder.

1. Se till att damm och smuts inte samlas på batteriet.
 - Vid arbete se till att damm och smuts inte faller på batteriet.
 - Se till att eventuellt damm och smuts som faller på det elektriska verktyget vid arbete inte samlas på batteriet.
 - Förvara inte batteri som inte används på en plats där de utsätts för damm och smuts.
 - Innan förvaring av ett batteri avlägsna eventuellt damm och smuts som har fastnat på det och förvara det inte tillsammans med metallföremål (skruvar, spikar etc.).
2. Gör inte hål i batteri med skarpa föremål så som spik, slå med hammare, stampa på eller kasta föremål på eller utsätt batteriet för fysisk påfrestning.
3. Använd inte uppenbart skadat batteri eller batteri som är deformerat.
4. Använd inte batteriet med polerna omvända.
5. Anslut inte direkt till ett elektriskt uttag eller uttaget för cigarettändare i en bil.
6. Använd inte batteri för andra syften än de som anges.
7. Om batteriladdningen inte lyckas avslutas trots att den angivna laddningstiden passerat, stoppa omedelbart vidare laddning.
8. Utsätt inte batteriet för höga temperaturer eller högt tryck så som i en mikrovågsugn, hårtork eller högtrycksbehållare.
9. Håll borta från eld så snart läckage eller illaluktande lukt upptäcks.
10. Använd inte på plats där stark statisk elektricitet skapas.
11. Om batteriet läcker, luktar illa, blir varmt, missfärgat eller missformerat eller på något sätt upplevs som onormalt vid användning, laddning eller förvaring, ta omedelbart bort det från verktyget eller batteriladdaren och sluta använda det.
12. Lägg inte batteriet i vätskor och se till att vätskor inte tränger in i det. Om en konduktiv vätska, exempelvis vatten, skulle komma in i batteriet kan det skadas och antändas eller explodera. Förvara batteriet på en sval, torr plats, borta från brännbara och lättantändliga föremål. Batteriet får inte utsättas för miljöer med frätande gas.

FÖRSIKTIGT

1. Om vätska som läcker från batteriet kommer i ögonen gnid inte ögonen och skölj dem väl med friskt rent vatten från en kran och kontakta omedelbart medicinsk hjälp. Om inget görs kan vätskan orsaka ögonproblem.
2. Om vätskan kommer i kontakt med din hud eller dina kläder, tvätta omedelbart väl med rent vatten så som från en kran. Det finns en chans att det kan orsaka hudirritation.

3. Om du upptäcker rost, dålig lukt, överhettning, missfärgning, deformation och/eller andra ovanligheter när du använder batteriet för första gången använd det inte utan lämna tillbaka det till din återförsäljare eller handlare.

VARNING

Om ett främmande elektriskt ledande material kommer i kontakt med batteriets anslutningar, kan batteriet kortslutas och förorsaka brand. Vid förvaring av litiumjonbatterier, se till att följa nedanstående anvisningar.

- Placera inte ledande föremål som spikar och ledningar i stål eller koppar i förvaringsfacket.
- För att undvika kortslutning, montera batteriet i verktyget eller sätt på batteriskyddet vid förvaring för att dölja ventilatorn.

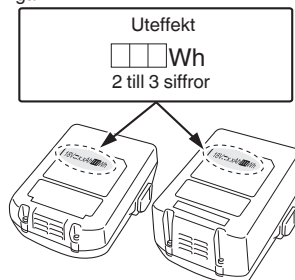
ANGÅENDE TRANSPORT AV LITIUMJONBATTERIER

lakta följande försiktighetsåtgärder när litiumjonbatterier transportereras.

VARNING

Meddela transportföretaget att ett paket innehåller ett litiumjonbatteri, informera företaget om dess utteffekt och följ transportföretagets instruktioner när transporten arrangeras.

- Litiumjonbatterier som överskrider en utteffekt på 100 Wh klassificeras som farligt gods och kommer att kräva en särskild behandlingsprocedur.
- För transport utomlands måste du uppfylla internationell lagstiftning samt destinationslandets regler och förordningar.



DELARNAS NAMN (Bild 1 – Bild 28)

①	Övre lucka
②	Avtryckare
③	LED-lampa
④	Avfyrningshuvud (utlopp)
⑤	Tryckarm
⑥	Spikmatare (A)
⑦	Spikmatare (B)
⑧	Magasin
⑨	Hake
⑩	Batteri
⑪	Omkopplarlåsspak
⑫	Handtag

13	Stoppspak
14	Batteriindikatorbrytare
15	Batteriindikator
16	Spikningsväxlare
17	Strömindikator
18	Strömbrytare
19	Spikningsindikator
20	Spikband
21	Magasinhölje
22	Spår
23	Bladstyrning
24	Justerare
25	Hakplatta
26	Noshylsa
27	Låsspak
28	Styrplatta

	Strömbrytare AV
	Strömbrytare PÅ Strömindikator: Lyser grönt
	Spikningsväxlare
	FULL SEKVENTIELL UTLÖSNINGSMEKANISM
	Läge FULL SEKVENTIELL UTLÖSNINGSMEKANISM Spikningsindikator: Lyser blått
	KONTAKTMANÖVRERINGSMEKANISM
	Läge KONTAKTMANÖVRERINGSMEKANISM Spikningsindikator: Blinkar blått
	Avtryckare låst
	Avtryckare oläst
	Batteriindikatorbrytare
	Det finns tillräckligt med energi kvar i batteriet Batteriindikator: 2 LED-lampor (röda) tänds
	Cirka hälften av batteriets energi är förbrukad. Batteriindikator: 1 LED-lampa (röd) tänds
	Batteriet är nästan helt urladdat. Ladda batteriet så snart som möjligt. Batteriindikator: 1 LED-lampa (röd) blinkar
	Kontakta HIKOKI för inspektion. Batteriindikator: 2 LED-lampor blinkar orange, efter 10 sekunder slås strömbrytaren av automatiskt.
	Grund sida
	Djup sida
	Varning
	Förbjuden åtgärd

SYMBOLER

VARNING

Nedan visas de symboler som används för maskinen.
Se till att du förstår vad de betyder innan verktyget används.

	NT 1865DBAL: Sladdlöst dyckertverktyg NT 1865DBSL: Sladdlöst dyckertverktyg NT 1850DBSL: Sladdlös dyckertpistol
	Användaren måste läsa bruksanvisningen för att minska risken för personskador.
	Gäller endast EU-länder Elektriska verktyg får inte kastas i hushållssoporna! Enligt direktivet 2012/19/EU som avser äldre elektrisk och elektronisk utrustning och dess tillämpning enligt nationell lagstiftning ska uttjänta elektriska verktyg sorteras separat och lämnas till miljövänlig återvinning.
	Likström
	Slå PÅ
	Slå AV
	Koppla bort batteriet
	Strömbrytare

SPECIFIKATIONER

1. Sladdlöst dyckertverktyg

Modell		NT1865DBAL	NT1865DBSL	
Motor		Borstlös likströmsmotor	Borstlös likströmsmotor	
Tillämplig spik		15 Ga (vinkel: 34°)	16 Ga	
Tillämplig spiklängd		32 mm till 65 mm	25 mm till 65 mm	
Spikladdningskapacitet [spikar]		100 (1 band)	100 (2 band)	
Avfyrningsläge		Full sekventiell/kontakt (valbart)	Full sekventiell/kontakt (valbart)	
Cykelhastighet	[spikar/sekund]	3 (intermittent)	3 (intermittent)	
Batteri	Modell	BSL1830C	BSL1830C	BSL1850
	Typ	Litiumjonbatteri		
	Spänning	DC 18 V		
Vikt*		3,5 – 4,1 kg	3,4 – 4,0 kg	
Mått Höjd x Längd x Bredd		344 mm x 300 mm x 104 mm	315 mm x 298 mm x 104 mm	315 mm x 310 mm x 104 mm

* Enligt EPTA-procedur 01/2014

Beroende på anslutet batteri. Den tyngsta vikten mäts med BSL36B18 (säljs separat).

2. Sladdlös dyckertpistol

Modell		NT1850DBSL		
Motor		Borstlös likströmsmotor		
Tillämplig spik		18 Ga		
Tillämplig spiklängd		16 mm till 50 mm		
Spikladdningskapacitet [spikar]		100 (1 band)		
Avfyrningsläge		Full sekventiell/kontakt (valbart)		
Cykelhastighet	[spikar/sekund]	3 (intermittent)		
Batteri	Modell	BSL1830C	BSL1850	
	Typ	Litiumjonbatteri		
	Spänning	DC 18 V		
Vikt*		3,3 – 4,0 kg		
Mått Höjd x Längd x Bredd		323 mm x 298 mm x 104 mm	323 mm x 310 mm x 104 mm	

* Enligt EPTA-procedur 01/2014

Beroende på anslutet batteri. Den tyngsta vikten mäts med BSL36B18 (säljs separat).

3. Batteriladdare

Modell	UC18YFSL	UC18YML2
Laddningsspänning	DC 14,4 – 18 V	
Vikt	0,5 kg	0,7 kg

ANMÄRKNING

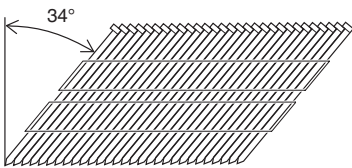
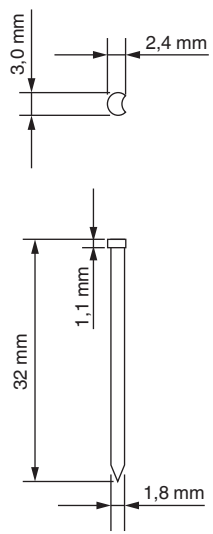

Beroende på HiKOKIs kontinuerliga forsknings- och utvecklingsarbete, förbehåller HiKOKI rätten till ändringar av tekniska data utan föregående meddelande.

SPIKVAL

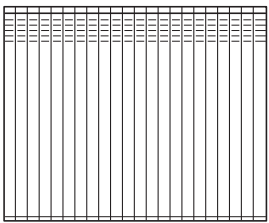
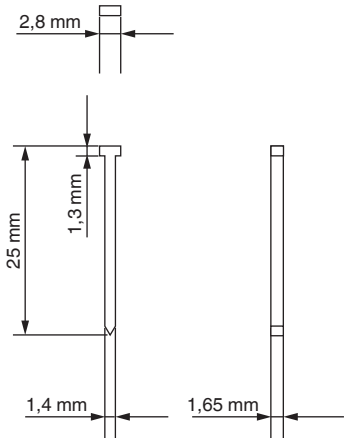

Endast spikar som visas i tabellen nedan kan användas med den här spikpistolen.

Spikarnas mått

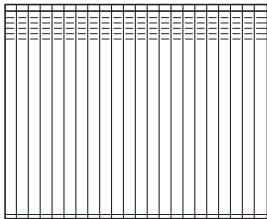
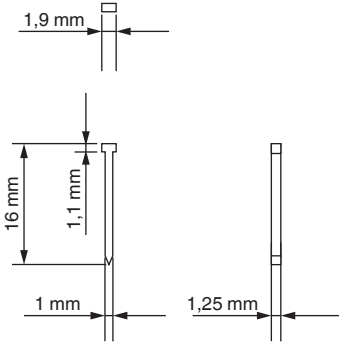

<NT1865DBAL>

	Min.	Max.
<p>15 maskinspikar till dyckertvertyg (vinkel: 34°)</p> 		

<NT1865DBSL>

	Min.	Max.
<p>16 maskinspikar till dyckertvertyg (rak)</p> 		

<NT1850DBSL>

	Min.	Max.
<p>18 maskinspikar till dyckertpistol (rak)</p> 		
	Med undantag av spikar som är 35 mm långa	

STANDARDTILLBEHÖR

Förutom huvudenheten (1 enhet) innehåller paketet tillbehören listade på sidan 378.

Standardtillbehören kan ändras utan föregående meddelande.

ANVÄNDNINGSSOMRÅDEN

<NT1865DBAL, NT1865DBSL>

○ Spikning som finbearbetningsprocess för områden kring dörrar, fönster samt lister.

○ Säkra botten på lådor. Tillverka olika lådor och skåp.

<NT1850DBSL>

○ Skåp- och bildrumsmontering, möblertrimning.

○ Trimning och formning på plats och mobilt.

BATTERILADDNING

Ladda upp batteriet enligt de följande anvisningarna innan du använder ditt elektriska verktyg.

1. Anslut till en strömkälla. (Bild 3)

Vid laddning av batteriet med en växelströmskälla

○ Anslut laddarens nätkabel till ett nätuttag.

Kontrolllampan kommer att blinka i rött (med intervaller på 1 sekund) efter anslutning av nätkabel till laddaren.

FÖRSIKTIGT

Använd inte elkablar om de är skadade. Se till att få de reparerade omedelbart.

Vid laddning av batteriet med bilens 12 V-likströmsuttag (UC18YML2)

○ Fäst batteriladdaren på plats i bilen.

Använd medföljande remmar för att fästa batteriladdaren på plats och se till att den inte flyttar på sig plötsligt. (Se Bild 28)

FÖRSIKTIGT

Placera inte batteriladdaren eller batteriet under försätset. Fäst batteriladdaren på plats för att förhindra att den plötsligt flyttar på sig då detta kan orsaka en olycka.



Bild 28

- Sätt i cigarettändaranslutningen i cigarettändaruttaget. Om kontakten är lös och faller ut från cigarettändaruttaget, reparera uttaget. Då uttaget kan vara trasigt rekommenderas du att kontakta din lokala bilförsäljare. Fortsatt användning av uttaget kan resultera i en olycka på grund av överhettning.
 - 2. **Sätt i batteriet i laddaren.**
Sätt i batteriet ordentligt i laddaren så att strecket blir synligt, se Bild 3.
Linjer visas inte på UC18YFSL. Se till att batteriet sitter fast ordentligt.
 - 3. **Laddning**
Laddningen sätts igång efter batteriets isättning i laddaren. Signallampan lyser i rött.
När batteriet blir fullt laddad kommer signallampan att blinka röd. (Med intervaller på 1 sekund) (Se Tabell 1)
- (1) Hur signallampan lyser/blinkar till
Hur signallampan lyser/blinkar till före laddnings-start, under pågående laddning och efter slutförd laddning visas i nedanstående Tabell 1.

Tabell 1

<UC18YFSL>

Signallampans indikationer				
Signallampe (röd)	Före laddning	Blinkar	Lyser 0,5 sekunder. Lyser inte 0,5 sekunder. (släckt 0,5 sekunder)	/
	Under pågående laddning	Lyser	Lyser ihållande	
	Laddningen fullbordad	Blinkar	Lyser 0,5 sekunder. Lyser inte 0,5 sekunder. (släckt 0,5 sekunder)	
	Överhettad beredskapsläge	Lyser	Lyser ihållande	Batteriet överhettat. Kan inte ladda. (laddning kommer att börja när batteriet svalnat).
	Går inte att ladda	Flimrar	Lyser 0,1 sekunder. Lyser inte 0,1 sekunder. (släckt 0,1 sekunder)	Fel i batteriet eller laddaren

<UC18YML2>

Signallampans indikationer				
Indikeringslampan lyser eller blinkar rött.	Före laddning	Blinkar	Lyser 0,5 sekunder. Lyser inte 0,5 sekunder. (släckt 0,5 sekunder)	/
	Under pågående laddning	Lyser	Lyser ihållande	
	Laddningen fullbordad	Blinkar	Lyser 0,5 sekunder. Lyser inte 0,5 sekunder. (släckt 0,5 sekunder)	
	Går inte att ladda	Flimrar	Lyser 0,1 sekunder. Lyser inte 0,1 sekunder. (släckt 0,1 sekunder)	Fel i batteriet eller laddaren
Indikeringslampan lyser eller blinkar grönt.	Överhettad beredskapsläge	Lyser	Lyser ihållande	Batteriet överhettat. Kan inte ladda. (laddning kommer att börja när batteriet svalnat).
	Laddning med strömkälla i en bil är möjlig	Blinkar	Lyser 0,5 sekunder. Lyser inte 0,5 sekunder. (släckt 0,5 sekunder)	Fel på försörjningen av 12 V likström

ANMÄRKNING: I standby-läget för kylning av batteri, kylar UC18YML2 det överhettade batteriet med hjälp av en kylfläkt. (Kylfläkten fungerar dock inte när batteriet laddas med bilens 12 V-likströmsuttag.)

(2) Angående de laddningsbara batteriernas temperaturer

Temperaturerna för laddningsbara batterier visas i **Tabell 2**, och batterier som blivit varma skall svalna innan de laddas igen.

Tabell 2 Laddning av batterier som blivit för varma

Laddningsbara batterier	Temperaturer vid vilka batterierna kan labbas
BSL1830C, BSL1850	0°C – 50°C

Tabell 3 Laddningstid (Vid 20°C)

(Växelströmskälla / bilens 12 V-likströmsuttag)

Batteri	Laddare	UC18YFSL	UC18YML2
BSL1830C		Ca. 45 min	Ca. 45 / 120 min
BSL1850		Ca. 75 min	Ca. 75 / 200 min

(3) Beträffande laddningstiden

Laddningstiden kommer att vara enligt vad som visas i **Tabell 3**, i förhållande till laddare och batteri.

ANMÄRKNING

Laddningstiden kan variera enligt omgivningstemperaturen och nätspänningen.

Svenska

<UC18YML2>

Speciell vid användning av en likströms 12V strömkälla i en bil kan det kräva längre uppladdningstid vid höga temperaturer.

FÖRSIKTIGT

När batteriladdaren har används kontinuerligt kommer batteriladdaren att bli varm, och kan komma att bli orsaken till fel. När en laddning är klar låt laddaren vila i 15 minuter innan nästa laddning.

4. Koppla loss laddarens nätsladd från behållaren eller cigarettändarruttaget.

5. Fatta ett stadigt tag i laddaren och dra ut batteriet ur laddaren.

ANMÄRKNING

Kom ihåg att dra ut batteriet ur laddaren efter användning och att spara det.

Angående elektrisk urladdning när batterierna är nya o.s.v.

Eftersom de kemiska reaktionerna inte äger rum i ett nytt batteri eller i ett batteri som inte använts under en längre tid, kan det hända att den elektriska urladdningen är låg när batteriet används för första och andra gången. Detta är ett temporärt förhållande. Laddningstiden återgår till normal laddningstid efter att batteriet laddats upp två till tre gånger.

Hur batteriets brukstid förlängs

- Ladda upp batteriet innan det laddats ur helt. Vid första tendensen till att ute. ekten hos det batteridrivna verktyget blivit lägre, måste arbetet avbrytas och batteriet laddas upp. Vid fortsatt drift, så att batteriet laddas ur och inte längre leder elektrisk spänning, kan batteriet skadas och dess livslängd bli kortare.
- Ladda inte upp varma batterier. Ett laddningsbart batteri är varmt efter att det använts. Om ett sådant batteri laddas upp genast efter batteriets bruk, försämras de kemiska ämnena i batteriet varvid batteriets livslängd förkortas. Låt batteriet först svalna. Ladda upp det först efter att det svalnat.

FÖRSIKTIGT

- Det kan hända att signallampen på laddaren tänds under 1 sekund och är släckt i 0,5 sekund (släckt i 0,5 sekund) (UC18YFSL) eller att den lyser grönt när batteriet laddas medan det blivit varmt, beroende på att det fått ligga i solen eller när det sätts i laddaren strax efter avslutat bruk. (UC18YML2). Om detta inträffar, låt batteriet svalna innan du börjar ladda.
- När signallampen börjar flimra snabbt i rött (med intervaller om 0,2 sekunder) måste batteriets isättningsöppning kontrolleras för främmande ämnen, som måste tas bort. Om det inte finns några främmande föremål är det troligt att det är fel på batteriet eller laddaren. Ta den till en auktoriserad serviceverkstad.
- Det tar ca. tre sekunder för den inbyggda mikrodatoren i UC18YFSL / UC18YML2 att avkänna att en pågående laddning avbrutits och batteriet tagits ur. Vänta därför i minst tre sekunder innan batteriet på nytt sätts i laddaren för fortsatt laddning. Det kan hända att batteriet inte laddas upp på korrekt sätt om batteriet sätts i laddaren på nytt inom tre sekunder efter att den pågående laddningen avbrutits.
- Kontrollera biluttagets spänning när indikatorlampan blinkar grönt (i intervaller på 1 sekund). (UC18YML2) Om spänningen är 12 V eller lägre, indikerar detta att bilbatteriet har försvagats och inte kan laddas.
- Om indikatorlampan inte blinkar rött (varje sekund) trots att laddarsladden eller cigarettändarkontakten är ansluten till strömmen, indikerar detta att laddarens skyddskrets kan vara aktiverad.

Koppla bort sladd eller kontakt från strömmen och återanslut efter cirka 30 sekunder. Om detta inte får indikatorlampan att blinka rött (varje sekund), lämna in laddaren till HiKOKIs auktoriserade servicecenter.

FÖRE ARBETSSTART

Åtgärd	Bild	Sida
Borttagning och isättning av batteri	2	379
Laddning	3	380
Val av tillbehör	—	385

1. Hur du styr manöverpanelen

- Strömbrytare PÅ (se fig. 4)
Under förutsättningen "Strömbrytare AV", tryck och håll in strömbrytaren i mer än 1 sekund så tänds strömindikatorns lampa grön.

OBS

Tryck inte på tryckarmen och/eller avtryckaren medan strömbrytaren slås PÅ.

Att göra det kommer att förhindra att strömbrytaren slås PÅ.

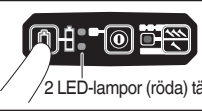
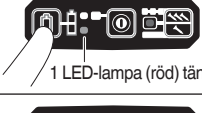

[Automatisk avstängning]

När strömmen slås på, men spikpistolen inte används under 30 minuter, stängs spikpistolen av automatiskt. För att slå på den igen, tryck på strömbrytaren.

VARNING

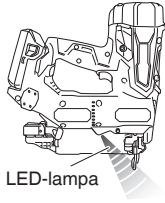

Lämna aldrig spikpistolen med strömmen på. Det kan leda till en olycka.

- Strömbrytare AV (se fig. 4)
Under förutsättningen "Strömbrytare PÅ", tryck och håll in strömbrytaren i mer än 1 sekund så stängs strömindikatorn av.
Under förutsättningen "Strömbrytare PÅ" är nedanstående funktioner aktiva.
- Välj spikningsdriftläge (full sekventiell utlösning/kontaktutlösning)
När strömbrytaren slås PÅ, ställ alltid in läget full sekventiell utlösning som initialt. (spikningsindikatorn lyser blått). (se fig. 5)
För att ändra spikningsläge, tryck på spikningsväxlaren en gång. Med varje tryck ändras läget mellan "Full sekventiell" och "Kontakt". (se fig. 6)
Belysning (blå):
FULL SEKVENTIELL UTLÖSNINGSMEKANISM,
Blinkar (blått):
KONTAKTMANÖVRERINGSMEKANISM
- Kontrollera återstående batterinivå
När du trycker på batteriindikatorbrytaren visar batteriindikatorn återstående batterinivå efter status hos LED-lamporna enligt nedan.

Status för indikator	
 2 LED-lampor (röda) tänds	Det finns tillräckligt med energi kvar i batteriet.
 1 LED-lampa (röd) tänds	Cirka hälften av batteriets energi är förbrukad.
 1 LED-lampa (röd) blinkar	Batteriet är nästan helt urladdat. Ladda batteriet så snart som möjligt.

(5) Andra funktioner

I händelse av funktionsfel visar LED-lamporna enligt nedan.

Status för indikator	
 <p>LED-lampa</p> <p>LED-lampnan blinkar i ett intervall.</p> <ul style="list-style-type: none"> Vid för varmt tillstånd, blinkar i 1 sekundsintervaller. Vid för kallt tillstånd, blinkar i 0,5 sekundsintervaller. <p>Efter 10 sekunder slås LED-lampnan och strömbrytaren av automatiskt.</p>	<p>Maskinen är i för kallt (under -5°C eller för varmt tillstånd. Låt spikpistolen svalna eller värmas upp ordentligt i lämpligt tillstånd.</p>
 <p>2 LED-lampor blinkar orange, efter 10 sekunder slås strömbrytaren av automatiskt.</p>	<p>Kontakta HIKOKI för inspektion.</p>

(6) Användning av LED-ljuset (se fig. 7)

När strömbrytaren är på lyser LED-lampnan automatiskt upp nosdelen på verktyget.

FÖRSIKTIGT



- Utsätt inte ögat direkt för ljuset genom att titta in i ljuset. Om ögat kontinuerligt utsätts för ljuset kommer ögat att skadas.
- Torka av smuts och sot som fastnat på LED-lampans lins med en mjuk trasa med iakttagen försiktighet så att linsen inte repas. Repor på LED-lampans lins kan leda till minskad ljusstyrka.

2. Avtryckarens låsmekanism (se fig. 8)**VARNING**

Säkerställ att avtryckaren är låst när den inte avfyra spikar.

Den här spikpistolen har en låsmekanism för att förhindra spikarna från att avfyra.

Ställ låsspaken i läge  för att låsa avtryckaren.

Skjut låsspaken till -läget när spikpistolen ska användas och till -läget när den inte används.

3. Testa spikpistolen**VARNING**

- Säkerställ att avtryckaren är låst när den inte avfyra spikar. (se fig. 8)
- Använd aldrig spikpistolen om inte tryckarmen fungerar korrekt. NT1865DBAL och NT1865DBSL använder en förebyggande mekanism för oladdad drift. NT1865DBAL och NT1865DBSL går in i ett tillstånd där tryckarmen inte kan tryckas upp. Detta sker när magasinet inte är laddat med spikar eller när återstående antal spikar blir mindre än 6 eller 9.

FÖRSIKTIGT

Var försiktig så att tryckarmens spets inte stöter emot trä. Innan spikningsarbete påbörjas, testa spikpistolen med hjälp av checklistan nedan. Utför testerna i följande ordning. Om något onormalt inträffar, sluta använda spikpistolen och kontakta en auktoriserad HIKOKI-serviceverkstad omedelbart.

(1) TA BORT BATTERIET OCH ALLA SPIKAR FRÅN SPIKPISTOLEN.

- ALLA SKRUVAR MÅSTE DRAS ÅT.
- TRYCKARMEN OCH AVTRYCKAREN MÅSTE RÖRA SIG MJUKT när spikmataren dras tillbaka (B). (NT1850DBSL: Onödigt för att dra tillbaka spikmataren)

(2) Installera batteriet.

Använd inte tryckarmen eller avtryckaren vid installation av batteriet. (se fig. 2)

(3) Slå PÅ strömbrytaren. (se fig. 1)

Slå på strömbrytaren genom att trycka och hålla ned strömbrytaren i mer än 1 sekund.

Säkerställ att strömindikatorn lyser grönt och att spikningsindikatorn lyser blått. (FULL SEKVENTIELL UTLÖSNINGSMEKANISM)

ANMÄRKNING

Tryck inte på tryckarmen och/eller avtryckaren medan strömbrytaren slås PÅ.

Att göra det kommer att förhindra att strömbrytaren slås PÅ.

[Automatisk avstängning]

När strömmen slås på, men spikpistolen inte används under 30 minuter, stängs spikpistolen av automatiskt. För att slå på den igen, tryck på strömbrytaren.

VARNING

Lämna aldrig spikpistolen med strömmen på. Det kan leda till en olycka.

Spikningsindikator

Belysning (blå):

FULL SEKVENTIELL UTLÖSNINGSMEKANISM,

Blinkar (blått):

KONTAKTMANÖVRERINGSMEKANISM

Säkerställ att batteriindikatorn inte blinkar.

Om batteriindikatorn blinkar rött har batteriet inte tillräckligt med ström och det behöver laddas.

(4) Ta bort fingret från avtryckaren och tryck tryckarmen mot arbetsstycket medan du drar tillbaka spikmataren (B).

- SPIKPISTOLEN FÅR INTE SPIKA.

(5) Ta bort tryckarmen från arbetsstycket.

Rikta därefter spikpistolen nedåt medan du drar tillbaka spikmataren (B) och trycker in avtryckaren. Vänta sedan i det läget i 5 sekunder eller längre.

- SPIKPISTOLEN FÅR INTE SPIKA.

(6) ① Utan att vidröra avtryckaren, tryck ned tryckarmen mot arbetsstycket medan du drar tillbaka spikmataren (B).

Tryck sedan in avtryckaren.

- SPIKPISTOLEN SKA SPIKA.

② Håll avtryckaren tillbaka och tryck ned tryckarmen mot arbetsstycket igen.

- SPIKPISTOLEN FÅR INTE SPIKA.

③ Ta bort fingret från avtryckaren. Sedan drivs ① igen.

- SPIKPISTOLEN SKA SPIKA.

Svenska

- (7) Ta bort tryckarmen från arbetsstycket, tryck in avtryckaren.
Tryck ned tryckarmen mot arbetsstycket inom 2 sekunder.

SPIKPISTOLEN FÅR INTE SPIKA.

- (8) Ställ in spikningsindikatorn till blinkande läge. (KONTAKTMANÖVRERINGSMEKANISM)

Tryck på spikningsväxlaren en gång och säkerställ att indikatorn blinkar blått.

Ta bort tryckarmen från arbetsstycket, tryck in avtryckaren.

Tryck ned tryckarmen mot arbetsstycket inom 2 sekunder.

SPIKPISTOLEN SKA SPIKA.

- (9) Om ingen onormal drift upptäcks kan du ladda spikar i spikpistolen.

Driv in spikar i arbetsstycket som är av samma typ som de som ska användas vid tillämpningen.

SPIKPISTOLEN MÅSTE DRIVAS KORREKT.

4. Kontroll av tryckarmens funktioner

VARNING

Säkerställ att avtryckaren är låst när den inte avfyra spikar.

Se alltid till att avtryckare är låst och batteriet borttaget från det elektriska verktyget när du kontrollerar tryckarmens funktioner.

Kontrollera att tryckarmen glider smidigt när den manövreras. Rengör glidytor för tryckarmen om den inte glider smidigt.

5. Ladda spikar

VARNING

När du laddar spikar i spikpistolen,

- 1) ta ur batteriet från spikpistolen;
- 2) tryck inte in avtryckaren;
- 3) tryck inte ned tryckarmen;
- 4) håll spikpistolen riktad nedåt.

<NT1865DBAL, NT1865DBSL>

2-Åtgärd spikmatning!

- (1) Sätt in ett spikband på baksidan av magasinet. (se **fig. 9**)
- (2) Skjut fram spikbandet i magasinet. (se **fig. 10**)
- (3) Tryck på spikmataren (A) för att engagera spikmataren (B) till spikbandet. (se **fig. 11**)

ANMÄRKNING

- Tryck försiktigt spikmataren (A) och spikmataren (B) mot spiken.

Om spikmataren (A) och spikmataren (B) frigörs bakifrån magasinet och stöter mot spiken kan den anslutande häftningen hos spiken skadas.

- Använd spikband med fler än 10 spikar.
- Använd ett obrutet spikband med spikar av samma längd. Spikpistolen är nu klar att användas.

Ta bort spikarna:

- ① Dra spikmataren (B) bakåt. (se **fig. 12**)
- ② Återför spikmataren (B) försiktigt framåt samtidigt som du trycker på spikmataren (A).
- ③ Dra ut spikar från baksidan av magasinet. (se **fig. 13**)

<NT1850DBSL>

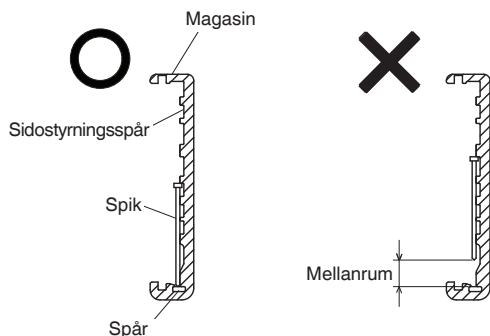
- (1) Tryck lätt på stoppspaken och dra försiktigt ut magasinshöljet. (se **fig. 14**)

- (2) Sätt in spikbandet i magasinet och håll spikspetsarna i kontakt med spåret. (se **fig. 15**)

ANMÄRKNING

Spikarna som visas på sidan 136 kan laddas på magasinets sidostyrningsspår utan någon justering.

Håll alltid spikspetsarna i kontakt med spåret.



- (3) Skjut in spikbandet i bladstyrningen. (se **fig. 16**)
- (4) Kontrollera att spikbandet är korrekt placerat med sidostyrningsspåren och spåret. Tryck sedan magasinshöljet framåt för att spärras.

SÅ HÄR ANVÄNDER DU SPIKPISTOLEN

VARNING

- Rikta ALDRIG verktyget mot dig själv eller andra i arbetsområdet.
- Håll fingrarna BORTA från avtryckaren när du inte spikar för att undvika oavsiktlig avfyring.
- Använd inte elkabeln om den är skadad. Se till att få den reparerad omedelbart.
- Val av avtryckarmetod är viktigt. Läs och förstå "1. Spikningsprocedurer" som finns nedan.
- Innan arbetet påbörjas, kontrollera spikningsväxlarenheten. Den här HIKOKI spikpistolen inkluderar en spikningsväxlarenhet. Innan arbetet påbörjas, kontrollera att växlarenheten är rätt inställd. Om växlarenheten inte är rätt inställd fungerar inte spikpistolen korrekt.
- Placera aldrig ansikte, händer eller fötter nära avfyringshuvudet vid användning.
- Driv inte in spikar ovanpå andra spikar eller med spikpistolen i för brant vinkel, då spikar kan rekylas och orsaka personskadorna.
- Driv inte in spikar i tunna skivor eller nära hörn och kanter på arbetsstycket. Spikar kan drivas in genom eller bort från arbetsstycket och träffa någon.
- Driv aldrig in spikar från båda sidor av en vägg samtidigt. Spikar kan drivas in i och genom väggen och träffa någon på motsatt sida.
- Använd aldrig en spikpistol som är defekt eller fungerar onormalt.
- Använd inte spikpistolen som hammare.
- Ta ur batteriet och alla återstående klamrar från spikpistolen när:
 - 1) du utför underhåll och inspektion;
 - 2) du kontrollerar att tryckarmen och avtryckaren fungerar korrekt;
 - 3) du sätter på eller tar av noshylsan;
 - 4) du åtgärdar något som fastnat;
 - 5) den inte är i bruk;
 - 6) arbetsområdet lämnas;
 - 7) den flyttas till en annan plats;
 - 8) den lämnas till en annan person.
- Ta ur batteriet från spikpistolen när:
 - 1) du laddar spikar;
 - 2) du vrider på justeraren.

Den här HiKOKI spikpistolen är utrustad med en spikningsväxlingsenhet.

Använd FULL SEKVENTIELL UTLÖSNINGSMEKANISM eller KONTAKTUTLÖSNINGSMEKANISM i enlighet med det arbete som ska utföras.

Förklaring av de olika spikningsfunktionerna

○ FULL SEKVENTIELL UTLÖSNINGSMEKANISM:

Tryck först tryckarmen mot träet; tryck sedan in avtryckaren för att driva in spiken.

Följ samma sekvens för att fortsätta driva in spikar.

Efter att du satt i en spik är det inte möjligt spika igen förrän du släpper avtryckaren och lyfter upp verktyget helt från träytan.

○ KONTAKTUTLÖSNINGSMEKANISM:

KONTAKTUTLÖSNING kan följa två olika sekvenser, beroende på användning.

För att driva in flera spikar:

1. Tryck in avtryckaren.
2. Tryck tryckarmen mot träet för att driva in en spik.
3. Om avtryckaren hålls tillbaka drivs en spik in varje gång tryckarmen trycks mot träet.

För att driva in en enda spik:

1. Tryck tryckarmen mot träet.
2. Tryck in avtryckaren för att driva in spiken.
3. Ta bort fingret från avtryckaren och ta bort spikpistolen från träet.

[Spårmeکانism vid tomt magasin]

NT1865DBAL och NT1865DBSL använder en förebyggande mekanism för oladdad drift.

NT1865DBAL och NT1865DBSL går in i ett tillstånd där tryckarmen inte kan tryckas upp. Detta sker när magasinet inte är laddat med spikar eller när återstående antal spikar blir mindre än 6 eller 9.

FÖRSIKTIGT

Var försiktig så att tryckarmens spets inte stöter emot trä när tryckarmen inte kan tryckas upp.

1. Spikningsprocedurer

Den här spikpistolen är utrustad med tryckarm och fungerar inte om inte tryckarmen trycks ned.

Det finns två metoder för att driva in spikar med den här spikpistolen.

De är:

1. Intermittent drift (avfyrning med avtryckaren);
2. Kontinuerlig drift (avfyrning med tryckarmen);

(1) Intermittent drift (avfyrning med avtryckaren)

Använd inställningen FULL SEKVENTIELL UTLÖSNINGSMEKANISM. (se fig. 17)

VARNING

- För intermittent drift, ställ in spikningsväxlaren till FULL SEKVENTIELL UTLÖSNINGSMEKANISM (spikningsindikatorn lyser blått.) (dvs. ställ in till ENKEL UTLÖSNINGSMEKANISM.)

- För att undvika dubbel eller oavsiktlig avfyrning p.g.a. rekyll.

- 1) Ställ in till FULL SEKVENTIELL UTLÖSNINGSMEKANISM.

- 2) Tryck in avtryckaren snabbt och säkert.

- ① Ställ in spikningsväxlaren till FULL SEKVENTIELL UTLÖSNINGSMEKANISM (spikningsindikatorn lyser blått.)

(för att ställa in till FULL SEKVENTIELL UTLÖSNINGSMEKANISM).

(Ställ in växlarheten helt till spikningsindikatorn som lyser blått, så som visas i fig. 17. Annars ställs det in till KONTAKTUTLÖSNINGSMEKANISM.)

- ② Placera spikutloppet på arbetsstycket med fingret från avtryckaren.

- ③ Sluta ned tryckarmen ordentligt tills den är helt nedtryckt.

- ④ Tryck in avtryckaren för att driva in en spik.

- ⑤ Ta bort fingret från avtryckaren och lyft bort verktyget helt från träytan.

För att fortsätta spika på en separat plats, flytta spikpistolen längs träet och upprepa stegen ② - ⑤ efter behov.

ANMÄRKNING

Funktion ③ och ④ ska utföras inom 2 sekunder efter varandra. Om mer än 2 sekunder passerar efter ③ kommer spikpistolen inte att fungera korrekt. Om det händer, försök igen från ③.

- (2) Kontinuerlig drift (avfyrning med tryckarmen)

Använda KONTAKTMANÖVRERINGSMEKANISM (se fig. 18)

VARNING

För att undvika dubbel eller oavsiktlig avfyrning p.g.a. rekyll.

- 1) Tryck inte spikpistolen mot trä med överdriven kraft.
- 2) Ta bort spikpistolen från träet eftersom det rekylar efter spikandet.

- ① Ställ in spikningsväxlaren till KONTAKTMANÖVRERINGSMEKANISM (spikningsindikatorn blinkar blått.)

(för att ställa in till KONTAKTMANÖVRERINGSMEKANISM). (Ställ in växlarheten helt till spikningsindikatorn som blinkar blått, så som visas i fig. 18. Annars kommer den inte att fungera normalt.)

- ② Tryck in avtryckaren med spikpistolen borta från arbetsstycket.

- ③ Tryck ned tryckarmen mot arbetsstycket att driva in en spik.

- ④ Flytta spikpistolen längs arbetsstycket med en studsande rörelse.

Varje nedtryckning av tryckarmen driver in en spik.

Så snart önskat antal spikar har drivits in, ta bort fingret från avtryckaren.

ANMÄRKNING

Funktion ② och ③ ska utföras inom 2 sekunder efter varandra. Om mer än 2 sekunder passerar efter ② kommer spikpistolen inte att fungera korrekt. Om det händer, försök igen från ②.

VARNING

- Håll fingret från avtryckaren förutom under spikning, då allvarlig skada kan inträffa om tryckarmen oavsiktligt kommer i kontakt med dig eller andra i arbetsområdet.

- Håll händer och kropp borta från utmatningsområdet. Den här HiKOKI spikpistolen kan studsas från rekylen från spikindrivning, och en oönskad efterföljande spik kan drivas in och orsaka personskadorna.

ANMÄRKNING

- Om alla varningar och instruktioner följs är säker drift möjlig med två system: FULL SEKVENTIELL UTLÖSNINGSMEKANISM, KONTAKTUTLÖSNINGSMEKANISM.

- Hantera alltid spikar och verktyg försiktigt. Om spikar tappas kan kollisioneringen brytas, vilket orsakar felmatning och att spikar fastnar.

- Efter spikning:

- 1) Ta ur batteriet från spikpistolen;
- 2) Ta ur alla spikar från spikpistolen;

2. Justera spikningsdjupet

För att säkerställa att varje spik tränger in till samma djup, se till att spikpistolen alltid hålls stadigt mot arbetsstycket. Om spikar drivs in för djupt eller för grunt i arbetsstycket, justera spikningen i följande ordning.

- ① Ta ur batteriet från spikpistolen.

- ② Om spikar drivs in för djupt, vrid justeraren till den grunda sidan. (se fig. 19)

Justeranger görs med steg på halva varv.

Om spikar drivs in för grunt, vrid justeraren till den djupa sidan. (se fig. 20)

- ③ Sluta vrida justeraren när en lämplig position har uppnåtts för ett spikningstest.

- ④ Anslut batteriet till spikpistolen.

ANVÄND ALLTID SKYDDSGLASÖGON.

Utför ett spikningstest.

Svenska

⑤ Ta ur batteriet från spikpistolen.

⑥ Välj lämpligt läge för justeraren.

3. Använda haken (se fig. 21, 22, 23)

VARNING

När du använder haken, slå av strömbrytaren (grönt ljus "AV"). Håll uppsikt så att huvudtrustningen inte faller.

Om verktyget faller finns det risk för en olycka.

Haken kan installeras på vänster eller höger sida. (med undantag av NT1865DBAL)

① Ta ut batteriet och ta bort alla kvarvarande spikar från magasinet.

② Håll huvudenheten med ett fast grepp och ta bort skruven med en skruvmejsel. (se fig. 21)

③ Ta bort haken och hakplattan. (se fig. 22)

④ Montera haken på motsatt sida och fäst den ordentligt med skruven. (se fig. 23)

ANMÄRKNING

Haken kan användas som en hängare.

4. Använda noshylsan (se fig. 24, 25)

VARNING

När du sätter på eller tar av noshylsan, se till att ta bort fingret från avtryckaren och ta ur batteriet och alla återstående klamrar från spikpistolen.

Om du vill skydda ytan på arbetsstycket mot repor eller märken orsakade av tryckarmen, sätt fast noshylsan på tryckarmen.

① Ta ur batteriet och alla återstående klamrar från spikpistolen.

② Sätt noshylsan på tryckarmen.

③ Noshylsan är markerad för att indikera spikens utskjutningspunkt, vilket underlättar justering.

④ När du inte använder noshylsan, säkra den i förvaringsutrymmet som finns på magasinets baksida.

ANMÄRKNING

Noshylsan kan minska spikningsdjupet på grund av dess tjocklek. Omjustering av spikningsdjup krävs.

5. Åtgärda fastnad spik

Om spikar fastnar i avfyringshuvudet, avlägsna det och justera spikandet i följande ordning.

FÖRSIKTIGT

Ta ur batteriet från spikpistolen.

① Ta ur batteriet från spikpistolen.

② Ta ur alla spikar.

③ Frigör låsspaken och öppna styrplattan. (se fig. 26)

④ Ta bort den fastnade spiken med en spårskruvmejsel. (se fig. 27)

FÖRSIKTIGT

○ Slå ALDRIG på drivbladet.

○ För att undvika risk för personskador av oavsiktlig avfyring, rikta ALDRIG verktyget mot dig själv eller någon annan.

Även om batteriet tas ur spikpistolen finns fortfarande energi av komprimerad luft kvar inuti.

⑤ Stäng styrplattan och spärren.

ANMÄRKNING

Om spikar ofta fastnar, kontakta ett auktoriserat HiKOKI-servicecenter.

UNDERHÅLL OCH INSPEKTION

FÖRSIKTIGT

Se till att avlägsna alla återstående klamrar och batteriet från spikpistolen före underhåll och inspektion.

1. Inspektera magasinet

① Ta ur batteriet från spikpistolen.

② Rengör magasinet. Ta bort damm och träspån som kan ha samlats i magasinet.

FÖRSIKTIGT

Kontrollera att spikmataren glider mjukt genom att dra den med fingret.

Om den glider ojämnt kan spikar drivas in med en oregelbunden vinkel och orsaka personskador.

2. Kontroll av monteringssskruvar

Kontrollera alla monteringssskruvar med jämna mellanrum och kontrollera att de är ordentligt fastdragna. Om någon av skruvarna är lösa, dra omedelbart åt dem. Om du inte gör det kan det leda till allvarig fara.

3. Motorns underhåll

Motorns lindning kan sägas utgöra maskinens hjärta. Var mycket försiktig så att lindningen inte kommer till skada och/eller utsätts för olja eller vatten.

4. Inspektion av terminaler (verktyg och batteri)

Kontrollera att spån och damm inte har ansamlats på terminalerna.

Kontrollera ibland före, under och efter operationen.

FÖRSIKTIGT

Ta bort eventuella spån eller damm som kan ha ansamlats på terminalerna.

Underlåtenhet att göra detta kan leda till funktionsstörning.

5. Rengöring av utsidan

När elverktyget blir smutsigt, torka av det med en torr mjuk trasa eller en trasa fuktad i tvålatten. Använd aldrig klorlösningar, bensin eller thinner då de smälter plast.

6. Förvaring

Förvara elverktyget på ett ställe där temperaturen inte överstiger 40°C och där inte barn kommer åt den.

ANMÄRKNING

Förvaring av litiumjonbatterier.

Se till att litiumjonbatterier är fulladdade innan de förvaras.

En längre tids förvaring (3 månader eller mer) av batterier med en låg laddningsnivå kan leda till försämrad prestanda, väsentligt minskad användningstid för batterierna eller att batterierna inte kan hålla laddningen. Men väsentligt minskad användningstid för batterier kan återställas genom upprepad laddning och användning av batterierna två till fem gånger.

Om batteriernas användningstid förblir extremt kort även efter upprepad laddning och användning, anse att batterierna är slut och köp nya batterier.

FÖRSIKTIGT

Vid användning och underhåll av elverktyg måste de säkerhetsbestämmelser och standarder som gäller i respektive land iakttas.

Viktigt meddelande för batterier till HiKOKI batteridrivna elektriska verktyg

Använd alltid anvisade originalbatterier. Vi kan inte garantera säkerheten och prestanda för våra batteridrivna elektriska verktyg som används med andra batterier än de vi anvisat eller när batterier har tagits isär och modifierats (så som isärtagning och utbyte av celler eller andra inre delar).

GARANTI

Vi garanterar HiKOKI Elektriska verktyg i enlighet med lagstadgade/landsspecifika bestämmelser. Denna garanti täcker inte defekter eller skada på grund av felaktig användning, missbruk eller normal förslitning. Vid reklamation, var god att skicka det elektriska verktyget, ej isärtaget, med GARANTIBEVIS som hittas i slutet på denna instruktion, till en auktoriserad HiKOKI serviceverkstad.

Information angående buller

Bullerkaraktäristiska värden i överensstämmelse med EN 60745.

Den typiska A-vägda ljudstyrkenivån vid ett engångstillfälle
 L_{WA} , 1 s, d = 92 dB

Den typiska A-vägda utgående ljudtrycksnivån vid arbetsplatsen vid ett engångstillfälle
 L_{pA} , 1 s, d = 81 dB

Osäkerhet KpA: 3 dB

De värden som anges ovan avser spikpistolens karakteristik och representerar inte det buller som verkligen uppstår vid användningstillfället. Det buller som utvecklas vid arbetstillfället beror exempelvis på arbetsmiljön, arbetsstycket, arbetsstyckets stöd och antalet spikningar.

Beroende på förhållandena vid arbetsplatsen och arbetsstyckets form kan det vara nödvändigt att vidta särskilda bullerdämpande åtgärder som t.ex. att placera arbetsstyckena på ljuddämpande stöd och förhindra vibrationer genom att klämma fast eller täcka över arbetsstycken o.s.v.

I vissa fall är det nödvändigt att bära hörselskydd.

Information angående vibrationer

Det typiska vibrationsegenskapsvärdet enligt EN 60745:
2,6 m/s²

Osäkerhet K = 1,5 m/s²

Det värde som anges ovan avser spikpistolens karakteristik och representerar inte den verkliga påverkan på hand och arm vid användning av spikpistolen. Hur mycket hand och arm påverkas vid användning av spikpistolen beror exempelvis på gripkraften, kontaktryckskraften, arbetsriktningen, justeringen av energitillförsel, arbetsstycket och arbetsstyckets stöd.

Det angivna totalvärdet för vibrationer har mätts enligt en standardtestmetod och kan användas vid jämförelse av verktyg.

Det kan också användas vid preliminär uppskattning av exponering.

VARNING

- Vibrationsavgivning under verkligt användande av elverktyget kan skilja sig från det angivna totalvärdet beroende på det sätt som verktyget är använt på.
- Identifiera säkerhetsåtgärder som kan utföras för att skydda operatören som baseras på en uppskattning av utsättning i verkligheten (tar med i beräkningen alla delar av användandet så som när verktyget är avstängt och när det körs på tomgång utöver ut då startomkopplaren används).

ANMÄRKNING

Beroende på HiKOKIs kontinuerliga forsknings- och utvecklingsarbete, förbehåller HiKOKI rätten till ändringar av tekniska data utan föregående meddelande.

Underhållsschema

ÅTGÄRD	VARFÖR	HUR
Rengör magasinet och matarmekanismen.	Förhindra att spikar fastnar.	Blås rent dagligen.
Se till att tryckarmen fungerar ordentligt.	Främjar säkerhet för användaren och effektiv drift av spikpistolen.	Blås rent dagligen.

FELSÖKNING

Tillämpa inspektionerna i tabellen nedan om verktyget inte fungerar normalt. Om detta inte löser problemet, rådfråga din återförsäljare eller en auktoriserad HiKOKI-serviceverkstad.

PROBLEM	KONTROLLMETOD	KORRIGERING
Strömbrytaren slås inte på. Slås på en gång, men stängs av automatiskt.	Låg batterinivå.	Ladda batteriet.
	Skadad intern elektronik.	Kontakta HiKOKI för byte.
	Är tryckarmen och/eller avtryckaren i läge PÅ?	Håll tryckarmen och avtryckaren i läge AV.
	Ingen drift i över 30 minuter? (Automatisk avstängning)	Tryck och håll strömbrytaren intryckt i mer än 1 sekund för att slå "PÅ"
Spikpistolen fungerar inte (Strömbrytare PÅ).	Spikpistolen är inte tillräckligt hårt tryckt mot arbetsstycket.	Håll spikpistolen med ett fast grepp och tryck den helt mot arbetsstycket.
	Avtryckaren inte tillräckligt dragen.	Tryck in avtryckaren ordentligt.
	Mer än 2 sekunder passerar från att tryckarmen slås PÅ tills avtryckaren slås PÅ (eller tvärtom).	Säkerställ att mindre än 2 sekunder passerar från att tryckarmen slås PÅ tills avtryckaren slås PÅ (eller tvärtom).
	Förebyggande mekanism aktiveras. (inga spikar eller för få återstående klamrar) (med undantag av NT1850DBSL)	Ladda om spikarna i magasinet.
	Låsspaken (avtryckarlåsfunktion) är i läge "PÅ".	Ställ låsspaken till läge "AV". (se fig. 8)
	Maskinen är för kall (under -5°C) eller för varm. (LED-lampan blinkar med jämna intervaller och strömbrytaren slås av efter 10 sekunder.) (se sidan 139)	Låt spikpistolen svalna eller värmas upp ordentligt i lämpligt tillstånd.
	Skadad intern elektronik.	Kontakta HiKOKI för byte.
Spikpistolen fungerar, men ingen spik drivs in.	Magasinet är smutsigt.	Blås och torka av magasinet.
	Kontrollera om något fastnat.	Åtgärda fastnad spik (se fig. 26, 27).
	Drivbladet utslitet eller skadat?	Kontakta HiKOKI för byte.
	Bandfjädersnär försvagad eller skadat?	Byt ut bandfjädersnär.
	Spikmataren skadat?	Byt ut spikmataren.
	Kontrollera att spikarna är i rätt skick.	Använd endast rekommenderade spikar.
Svag drivning. Långsam cykel.	Kontrollera positionen för spikningsdjupjusteraren.	Omjustera enligt fig. 19, 20 .
	Drivbladet slitet?	Kontakta HiKOKI för byte.
	Trycket hos den komprimerade luften har blivit lågt.	Kontakta HiKOKI för byte.
	Skadad intern elektronik.	Kontakta HiKOKI för byte.
Driver in för djupt.	Kontrollera positionen för spikningsdjupjusteraren.	Omjustera enligt fig. 19, 20 .
Hoppar över spikar. Intermittent matning.	Kontrollera att spikarna är i rätt skick.	Använd endast rekommenderade spikar.
	Spikmataren skadat?	Byt ut spikmataren.
	Bandfjädersnär försvagad eller skadat?	Byt ut bandfjädersnär.
	Drivbladet utslitet eller skadat?	Kontakta HiKOKI för byte.
Spikar fastnar. Indriven spik är böjd.	Kontrollera att spikarna är i rätt skick.	Använd endast rekommenderade spikar.
	Drivbladet utslitet eller skadat?	Kontakta HiKOKI för byte.

GENERELLE SIKKERHEDSADVARSLER FOR ELEKTRISK VÆRKTØJ

⚠ ADVARSEL

Læs alle sikkerhedsadvarsler og alle instruktioner.

Det kan medføre elektrisk stød, brand og/eller alvorlig personskade, hvis alle advarslerne og instruktionerne nedenfor ikke overholdes.

Gem alle advarsler og instruktioner, så du har dem til senere brug.

Termen "elektrisk værktøj" i advarslerne henviser til værktøj, der tilsluttes lysnettet (med ledning), eller batteridrevet, (ledningsfrit) elektrisk værktøj.

1) Sikkerhed for arbejdsområde

- Hold arbejdsområdet rent og tilstrækkeligt oplyst.
Rodede eller mørke områder øger risikoen for ulykker.
- Anvend ikke elektrisk værktøj, hvis der er eksplosionsfare, f.eks. i nærheden af brændbare væsker, gasser eller støv.
Elektrisk værktøj frembringer gnister, som kan antænde støv eller dampe.
- Hold børn og tilskuere væk, mens det elektriske værktøj anvendes.
Distractioner kan medføre, at du mister kontrollen over værktøjet.

2) Elektrisk sikkerhed

- Det elektriske værktøjs stik skal passe til stikkontakten.
Foretag aldrig nogen form for ændringer af stikket.
Brug ikke adapterstik til jordet (jordforbundet) elektrisk værktøj.
Stik, der ikke er ændret, og egnede stikkontakter nedsætter risikoen for elektrisk stød.
- Undgå berøring af jordede eller jordforbundne overflader, f.eks. rør, radiatorer, komfurer og køleskabe.
Der er en øget risiko for elektrisk stød, hvis kroppen er jordet eller jordforbundet.
- Udsæt ikke det elektriske værktøj for regn eller våde omgivelser.
Hvis der trænger vand ind i det elektriske værktøj, øges risikoen for elektrisk stød.
- Misbrug ikke ledningen. Brug aldrig ledningen til at bære, trække eller afbryde det elektriske værktøj.
Undgå, at ledningen kommer i kontakt med varmekilder, olie, skarpe kanter eller bevægelige dele.
Beskadigede eller sammenfiltrede ledninger øger risikoen for elektrisk stød.
- Når et elektrisk værktøj anvendes udendørs, skal der anvendes en forlængerledning, der er egnet til udendørs brug.
Ved brug af en ledning, der er egnet til udendørs brug, reduceres risikoen for elektrisk stød.
- Hvis du er nødsaget til at anvende det elektriske værktøj på et fugtigt sted, skal du anvende en strømforsyning, der er beskyttet med en fejlstrømsafbryder (RDC).
Brug af RDC reducerer risikoen for elektrisk stød.

3) Personlig sikkerhed

- Vær årvågen, hold opmærksomheden rettet mod arbejdet, og brug fornuften, når du anvender et elektrisk værktøj.

Anvend ikke et elektrisk værktøj, hvis du er træt eller påvirket af narkotika, alkohol eller medicin.
Et øjeblik uopmærksomhed, mens det elektriske værktøj anvendes, kan medføre alvorlig personskade.

- Brug personligt sikkerhedsudstyr. Brug altid beskyttelsesbriller.
Ved brug af sikkerhedsudstyr som støvmaske, skridsikre sikkerhedssko, hjelm eller høreværn, når disse er påkrævet, reduceres antallet af personskader.
 - Undgå utilsigtet start af værktøjet. Kontrollér, at kontakten er slået fra, før værktøjet sluttes til lysnettet og/eller batteripakke, eller før du samler værktøjet op eller bærer på det.
Hvis du har fingeren på kontakten, når du bærer værktøjet, eller kontakten er slået til, når det elektriske værktøj tilføres strøm, øges risikoen for ulykker.
 - Afmonter alle justeringsnøgler eller skruenøgler, før det elektriske værktøj startes.
En skruenøgle eller en anden type nøgle, der sidder fast på en af det elektriske værktøjs roterende dele, kan medføre personskade.
 - Pas på ikke at få overbalance. Sørg hele tiden for at have et forsvarligt fodfæste og holde balancen.
Derved kan du bedre styre det elektriske værktøj i uventede situationer.
 - Vær hensigtsmæssigt påklædt. Vær ikke iført løst tøj eller løse smykker. Undgå, at dit hår, tøj og dine handsker kommer i nærheden af de bevægelige dele.
Løst tøj, løse smykker eller langt hår kan komme i klemme i de bevægelige dele.
 - Hvis der medfølger anordninger til udsugning og opsamling af støv, skal du kontrollere, at disse tilsluttes og anvendes på korrekt vis.
Brug af støvopsamling kan reducere støvrelaterede risici.
- ### 4) Brug og vedligeholdelse af elektrisk værktøj
- Pres ikke det elektriske værktøj. Brug det rigtige elektriske værktøj til den pågældende opgave.
Arbejdet udføres bedre og mere sikkert ved brug af det rigtige værktøj ved den tilsigtede hastighed.
 - Anvend ikke det elektriske værktøj, hvis kontakten ikke tænder og slukker værktøjet.
Alt elektrisk værktøj, der ikke kan styres ved hjælp af kontakten, er farligt og skal repareres.
 - Tag stikket ud af stikkontakten og/eller batteripakken ud fra det elektriske værktøj, før du foretager justeringer, skifter tilbehør eller lægger det elektriske værktøj til opbevaring.
Sådanne præventive sikkerhedsforanstaltninger reducerer risikoen for at starte det elektriske værktøj utilsigtet.
 - Opbevar elektrisk værktøj, der ikke er i brug, utilgængeligt for børn, og lad ikke personer, der ikke er vant til elektrisk værktøj, eller som ikke har læst denne vejledning, anvende det elektriske værktøj.
Elektrisk værktøj er farligt i hænderne på uerfarne brugere.
 - Vedligehold det elektriske værktøj. Kontrollér for bevægelige dele, der er monteret forkert eller sidder fast, defekte dele eller andre forhold, der kan påvirke det elektriske værktøjs drift.
Hvis det elektriske værktøj er beskadiget, skal det repareres for brug.
Mange ulykker skyldes dårligt vedligeholdt elektrisk værktøj.

Dansk

- f) **Sørg for, at skæreværktøj er skarpt og rent.**
Der er mindre risiko for, at korrekt vedligeholdt skæreværktøj med skarpe kanter sætter sig fast, og det er nemmere at styre.
- g) **Brug det elektriske værktøj, tilbehør og bits osv. i overensstemmelse med denne vejledning under hensynstagen til arbejdsforholdene og det arbejde, der skal udføres.**
Der kan opstå farlige situationer, hvis det elektriske værktøj bruges til andre formål end de tilsigtede.
- 5) **Brug og vedligeholdelse af batteriværktøj**
- a) **Genopladning må kun udføres med den oplader, der er specificeret af producenten.**
En oplader, der passer til en type batteripakke, kan give risiko for brand, når den anvendes med en anden batteripakke.
- b) **Anvend kun elektrisk værktøj sammen med specielt angivne batteripakker.**
Anvendelse af andre batteripakker kan muligvis give risiko for tilskadekomst og brand.
- c) **Når batteripakken ikke anvendes, skal du opbevare den væk fra andre metalobjekter som fx papirclips, mønter, nøgler, søm, skruer eller andre små metalobjekter, der kan lave en forbindelse fra den ene pol til den anden.**
Kortsluttes batteripolerne, kan der opstå forbrændinger eller en brand.
- d) **Under særligt dårlige omstændigheder kan der sive væske ud af batteriet; Undlad at komme i berøring med den. Hvis du ved et uheld alligevel kommer i kontakt med væsken, skal du skylle med vand. Hvis væsken kommer i kontakt med øjnene, skal du desuden søge lægehjælp.**
Væske, der siver ud fra batteriet, kan irritere huden eller give forbrændinger.
- 6) **Service**
- a) **Få foretaget serviceeftersyn af dit elektriske værktøj hos en kvalificeret reparationstekniker, der kun bruger originale reservedele.**
Derved sikres det, at sikkerheden ved det elektriske værktøj opretholdes.

FORHOLDSREGEL

Hold børn og fysisk svagelige personer på afstand. Når værktøjet ikke er i brug, skal det opbevares utilgængeligt for børn og fysisk svagelige personer.

SIKKERHEDSADVARSLER FOR LEDNINGSFRI DYKKERPISTOL

- Gå altid ud fra at værktøjet indeholder befæstelseselementer.**
Skødesløs håndtering af dykkerpistolen kan medføre uventet affyring af fastgøringsanordninger og personlig tilskadekomst.
- Ret ikke værktøjet mod dig selv eller andre i nærheden.**
Utilsligt tryk på udløseren vil affyre befæstelseselementet og kan forårsage personskade.
- Aktiver ikke værktøjet medmindre det er placeret mod arbejdsområdet.**
Hvis værktøjet ikke er i kontakt med arbejdsområdet, kan befæstelseselementet blive afledt væk fra målet.
- Afbryd værktøjet fra strømkilden, når der sidder et befæstelseselement fast i værktøjet.**
Under fjernelse af en fastgøringsanordning, der sidder i klemme, kan dykkerpistolen aktiveres utilsigtet, hvis den er sat til.
- Vær forsigtig når du fjerner et stoppet befæstelseselement.**

- Mekanismen kan være under tryk, og befæstelseselementet kan blive affyret med stor kraft, når du prøver at afhjælpe et stoppet befæstelseselement.
6. **Anvend ikke denne dykkerpistol til fastgøring af elektriske kabler.**
Den er ikke designet til installation af elkabler og kan ødelægge isoleringen på elkabler, hvorved det kan medføre elektrisk stød eller brand.

EKSTRA SIKKERHEDSADVARSLER

- Sikker betjening gennem korrekt anvendelse.**
Dette værktøj er beregnet til at slå som i træ og lignende materialer. Anvend det udelukkende til dets rigtige formål.
- Vær forsigtig med antændelse og eksplosioner.**
Eftersom der kan opstå gnister under søm-islagning, er det farligt at anvende dette værktøj i nærheden af lak, maling, rensbenzin, fortynder, benzin, gas, klæbemidler og lignende brændbare stoffer, da disse kan blive antændt eller eksplodere. Under ingen omstændigheder må dette værktøj derfor anvendes i nærheden af sådanne brændbare materialer.
- Brug altid øjenbeskyttelse (beskyttelsesbriller).**
Brug altid øjenbeskyttelse, når De anvender værktøjet, og sørg for, at også omkringstående personer anvender øjenbeskyttelse.
Hvis fragmenter af søm, der ikke blev slået ordentligt i, kommer i øjnene, kan det nedsætte synet. Øjenbeskyttelse kan købes hos enhver isenkræmmer. Bær altid øjenbeskyttelse under anvendelse af dette værktøj. Anvend enten øjenbeskyttelse eller en bred maske over brillen med glas med styrke.
Arbejdsgiveren bør altid gøre anvendelse af øjenbeskyttelse obligatorisk.
- Beskyt hørelse og ansigt.**
Anvend høreværn og hovedbeskyttelse under arbejdet med islagning af søm. Afhængigt af tilstanden, bør man ligeledes sikre, at omkringstående personer også bruger høreværn og hovedbeskyttelse.
- Vær opmærksom på personer, som arbejder i nærheden.**
Det er yderst farligt, hvis søm, der ikke er slået ordentligt i, rammer andre personer. Vær derfor altid opmærksom på sikkerheden for de personer, som befinder sig i nærheden, når der arbejdes med dette værktøj. Forvis Dem altid om, at ingen personer i nærheden har krop, hænder eller fødder for tæt på sømudgangen.
- Ret aldrig sømudgangen mod andre personer.**



Hvis fragmenter af søm, der ikke blev slået ordentligt i, kommer i øjnene, kan det nedsætte synet. Øjenbeskyttelse kan købes hos enhver isenkræmmer. Bær altid øjenbeskyttelse under anvendelse af dette værktøj. Anvend enten øjenbeskyttelse eller en bred maske over brillen med glas med styrke.

Arbejdsgiveren bør altid gøre anvendelse af øjenbeskyttelse obligatorisk.

Anvend høreværn og hovedbeskyttelse under arbejdet med islagning af søm. Afhængigt af tilstanden, bør man ligeledes sikre, at omkringstående personer også bruger høreværn og hovedbeskyttelse.

Det er yderst farligt, hvis søm, der ikke er slået ordentligt i, rammer andre personer. Vær derfor altid opmærksom på sikkerheden for de personer, som befinder sig i nærheden, når der arbejdes med dette værktøj. Forvis Dem altid om, at ingen personer i nærheden har krop, hænder eller fødder for tæt på sømudgangen.

- Ret aldrig sømudgangen mod andre personer.**
Gå altid ud fra, at værktøjet indeholder søm.



Hvis sømudgangen er rettet mod en person, kan der ske alvorlige ulykker, hvis De ved en fejltagelse kommer til at tømme værktøjet. Ved til- og frakobling af batteriet under påfyldning af søm eller lignende funktioner skal du sørge for, at sømudtaget ikke peger mod personer (ej heller dig selv). Selvom værktøjet ikke indeholder nogen søm, er det farligt at tømme værktøjet, mens det er rettet mod en person, så undgå til enhver tid at gøre dette. Brug ikke værktøjet som legetøj. Respekter værktøjet som et arbejdsredskab.

- Kontrollér skubbehåndtaget før brug.**
Sørg for, at skubbehåndtaget fungerer korrekt. (Skubbehåndtaget kan også kaldes "Sikkerhed"). Anvend kun dykkerpistolen, hvis skubbehåndtaget fungerer korrekt, idet dykkerpistolen ellers uventet kan affyre en fastgøringsanordning. Du må ikke manipulere med eller fjerne skubbehåndtaget, idet skubbehåndtaget ellers bliver ubrugeligt.

8. Valg af udløsermetode er vigtigt.

Læs og forstå afsnittet, der hedder "SÅDAN ANVENDER DU DYKKERPISTOLEN" på side 156.

9. Før du anvender dette produkt, skal du sørge for, at det fungerer korrekt i henhold til indholdet i "Test af dykkerpistolen" på side 155.

10. Anvend kun de foreskrevne søm.

Anvend aldrig andre søm end dem, der er specificerede og beskrevet i denne brugsvejledning.

11. Vær påpasselig ved tilslutning af slangen.

Forvis Dem om følgende, når De tilslutter slangen og isætter søm, således at De ikke kommer til at affyre værktøjet ved en fejltagelse.

- Rør ikke ved udløseren.
 - Tillad ikke at affyringshovedet kontakter nogen flade.
 - Hold affyringshovedet nedad.
- Observer nøje de ovenstående sikkerhedsforskrifter og forvis Dem altid om, at ingen kropsdele, hænder eller ben på noget tidspunkt befinder sig foran sømudgangen.

12. Anbring ikke uforsigtigt fingeren på udløseren.

Anbring ikke fingeren på udløseren, undtagen når sømislagningen udføres. Hvis De bærer værktøjet eller rækker det til en anden person, mens De har fingeren på udløseren, kan De uforvarende komme til at udløse et søm og således forårsage en ulykke.

13. Tryk sømudgangen fast mod det materiale, i hvilket der skal slås søm i.

Ved islagning af søm skal sømudgangen presses fast mod det materiale, i hvilket der skal slås søm i. Hvis dette ikke gøres, vil der være risiko for, at sømmene kan springe tilbage.

14. Hold hænder og fødder på god afstand af affyringshovedet under brugen.

Der er meget farligt, hvis hænder eller fødder ved en fejltagelse rammes af et søm.



15. Vær på vagt overfor tilbageslag af værktøjet.

Hold hovedet etc. på god afstand af værktøjets øverste del under arbejdet. I modsat fald kan der opstå farlige situationer, eftersom der er risiko for, at værktøjet kan slå voldsomt tilbage, hvis det søm, der slås i, kommer i kontakt med det foregående søm eller en knast i træet.

16. Vær opmærksom på dobbeltaffyring som følge af tilbageslag.

Hvis skubbehåndtaget utilsigtet kommer i berøring med arbejdsemnet igen efter tilbageslag, affyres der en uønsket fastgøringsanordning.

For at kunne undgå denne uønskede dobbeltaffyring:

- Afbrudt drift (affyring af udløser)
 - 1) Indstil omskifteranordningen til FULD SEKVENTIEL AKTIVERINGSMEKANISME.
 - 2) Tryk hurtigt og fast på udløseren.
- Kontinuerlig drift (affyring af skubbehåndtag)
 - 1) Tryk ikke dykkerpistolen mod træet med overdreven kraft.
 - 2) Flyt dykkerpistolen fra træet, idet den slår tilbage efter fastgøring.

17. Vær forsigtig, når der slås søm i tynde træplader eller i hjørner på træplader.

Ved islagning af søm i tynde træplader, er der risiko for, at sømmene går helt igennem pladen, hvilket ligeledes kan være tilfældet, når der slås søm i hjørner af en træplade, grundet retningsafvigelse på sømmet. Forvis Dem i et sådant tilfælde om, at ingen personer har hænder eller fødder eller andre legemsdele bag den tynde træplade eller ved siden af det stykke træ, hvori der skal slås søm.

18. Samtidig islagning af søm på begge sider af den samme væg er farligt.

Islagning af søm bør under ingen omstændigheder finde sted på begge sider af en væg samtidigt. Dette er overordentlig farligt, eftersom sømmene kan trænge gennem væggen og således blive årsag til personskade.

19. Anvend aldrig værktøjet på stilladser eller stiger.

Værktøjet bør ikke anvendes til specielle formål, som for eksempel:

- når ændring af et islagingssted indebærer anvendelse af stilladser, trapper, stiger eller stigeignende konstruktioner, for eksempel taglægter.
- lukning af kasser eller træmekasser.
- montering af transport-sikkerhedssystemer på for eksempel køretøjer og vogne.

20. Fjern alle resterende fastgøringsanordninger og batteriet fra dykkerpistolen, når:

- 1) der udføres vedligeholdelse og eftersyn;
- 2) du kontrollerer korrekt drift af skubbehåndtag og udløser;
- 3) spidshætten monteres eller fjernes;
- 4) du afhjælper skruestop;
- 5) dykkerpistolen ikke er i brug;
- 6) du forlader arbejdsområdet;
- 7) du flytter dykkerpistolen et andet sted hen; og
- 8) rækker den til en anden person.

Forsøg først at afhjælpe skruestop eller udfør reparation af dykkerpistolen, når du har fjernet batteriet og alle resterende fastgøringsanordninger fra dykkerpistolen.

Du må aldrig efterlade dykkerpistolen uden opsyn, idet personer, der ikke er bekendt med dykkerpistolen, kunne tage den i brug og komme til skade.

21. Fjern batteriet fra dykkerpistolen, når:

- 1) isætning af søm;
- 2) du drejer justeringsanordningen.

22. Kobl batteriet fra.

Frakobl batteriet, når du monterer og afmonterer næsekappen.

Når du monterer næsekappen (tilbehør) på enden af udløserarmen, samt når du afmonterer den, skal du sørge for først at frakoble batteriet. Der opstår en meget farlig situation, hvis et søm skulle blive affyret ved en fejltagelse.

23. Driftsområdet for dette apparat ligger mellem 0°C og 40°C, derfor vær sikker på, at bruge apparatet indenfor dette område. Apparatet kan risikere ikke at virke under 0°C eller over 40°C.

24. Lad altid batteriet ved en omgivende temperatur på 0 – 40°C.

Ved en temperatur på under 0°C lades batteriet for meget, hvilket er farligt. Batteriet kan ikke lades ved temperaturer over 40°C.

Den mest passende temperatur for ladning er 20 – 25°C.

25. Brug ikke laderen kontinuerligt.

Når en opladning er til ende, bør man lade opladeapparatet hvile 15 min. før næste batteriopladning.

26. Undgå at fremmedlegemer trænger ind i hullet til tilslutning af batteriet.

27. Skil aldrig batteriet eller opladeapparatet ad.

28. Kortslut aldrig det genopladelige batteri.

Kortslutning af batteriet vil forårsage en stor elektrisk strøm og overophedning, hvilket igen vil føre til, at batteriet beskadiges eller brænder sammen.

29. Skil Dem ikke af med batteriet ved at brænde det.

Hvis batteriet brænder, kan det eksplodere.

30. Brug af et udslidt batteri vil forårsage beskadigelse af opladeapparatet.

31. Indlever batteriet til forhandleren så snart batterilevetiden efter en opladning er blevet for kort til praktisk anvendelse.

Smid ikke udbrændte batterier væk.

32. Stik ikke genstande ind i opladeapparatets ventilationsåbninger.

Indsættelse af metalgenstande eller brændbare materialer i laderens ventilationsåbninger vil medføre risiko for elektriske stød eller beskadigelse af laderen.

Dansk

33. Lad ALDRIG magneter (eller lignende magnetiske enheder) være ved siden af dykkerpistolen, idet der er en magnetisk sensor i dykkerpistolen.

Gør du det, medfører det manglende funktion i dykkerpistolen eller tilskadekomst som følge af funktionsfejl.

34. Slukning af enheden efter kontinuert arbejde.

35. Dette elektriske værktøj er udstyret med et temperaturbeskyttelseskredsløb for at beskytte motoren. Kontinuert arbejde kan få temperaturen i enheden til at stige, aktivere temperaturbeskyttelseskredsløbet og automatisk stoppe driften. Hvis dette sker, skal du lade det elektriske værktøj køle ned, før brugen genoptages.
36. Dette produkt holder muligvis op med at fungere, når der registreres en abnormitet. I sådanne tilfælde skal du kontrollere punkterne opstillet under "FEJLFINDING" på side 160.

37. Du må ikke støde hårdt til kontaktpanelet eller ødelægge det. Det kan føre til problemer.

38. Anvend ikke produktet, hvis værktøjet eller batteriets terminaler (batterifatning) er deformet. Installation af batteriet kan forårsage en kortslutning, der kan resultere i røgudvikling eller antændelse.

39. Hold værktøjets terminaler (batterifatning) fri for spåner og støv.

- Inden brug skal du sørge for, at spåner og støv ikke har samlet sig i området omkring polerne.
- Under drift skal du forsøge at undgå, at støv og spåner på værktøjet falder ned på batteriet.
- Når du stopper drift eller efter brug må du ikke efterlade værktøjet i et område, hvor det kan udsættes for spåner eller støv, der falder ned.
Hvis du gør det, kan det forårsage en kortslutning, der kan resultere i røgudvikling eller antændelse.

- Før du lægger et batteri til opbevaring, skal du fjerne eventuelle spåner og støv, der sidder fast på det, og ikke opbevare det sammen med andre metalobjekter (skruer, søm, osv.).
- 2. Undlad at punktere batteriet med et skarpt objekt som fx et søm, slå på det med en hammer, træde på det, kaste med det eller udsætte batteriet for voldsomme stød.
- 3. Undlad at anvende et tydeligt beskadiget eller deformt batteri.
- 4. Undlad at anvende batteriet i omvendt polaritet.
- 5. Undlad at tilslutte direkte til elektriske stikkontakter eller en cigarettændere i biler.
- 6. Undlad at anvende batteriet til andre formål end dem, der er angivet.
- 7. Hvis batteriet ikke oplades helt, selv efter at den angivne opladetid er gået, skal du øjeblikkeligt stoppe yderligere opladning.
- 8. Undlad at anbringe eller udsætte batteriet for høje temperaturer eller høje tryk som fx inde i en mikroovn, et tørreapparat eller en beholder med højt tryk.
- 9. Hold det øjeblikkeligt væk fra åben ild, hvis der opdages en lækage eller ubehagelig lugt.
- 10. Undlad at anvende det på et sted hvor der udvikles kraftig statisk elektricitet.
- 11. Hvis der opstår batterilækage, ubehagelig lugt, hvis der udvikles varme, batteriet er misfarvet eller deformt eller på nogen anden måde forekommer unormalt under brug, opladning eller opbevaring, skal du øjeblikkeligt fjerne det fra udstyret eller batteriopladeren og indstille brugen.
- 12. Nedsænk ikke batteriet i væsker, og lad ikke væsker trænge ind. Indtrængen af ledende væske, som f.eks. vand, kan medføre beskadigelse og forårsage brand eller eksplosion. Opbevar batteriet på et køligt, tørt sted, væk fra brændbart materiale. Områder med ætsende gas skal undgås.

FORSIGTIG

- 1. Hvis du får væske, der er lækket fra batteriet, i øjnene, må du ikke gnide i øjnene, men vaske dem godt med rent vand som fx vand fra vandhanen og straks kontakte en læge. Hvis det ikke behandles, kan væsken forårsage problemer med øjnene.
- 2. Hvis du får væske på huden eller tøjet, skal du øjeblikkeligt vaske det af med rigeligt rent vand som fx vand fra hanen.
Det er muligt, at det kan give hudirritation.
- 3. Hvis du opdager rust, ubehagelig lugt, misfarvning, deformation og/eller andre uregelmæssigheder, når du anvender batteriet for første gang, skal du undlade at anvende det og returnere det til din leverandør eller forhandler.

ADVARSEL

Hvis der trænger et elektrisk ledende fremmedlegeme ind i terminalen på lithium-ion-batteriet, kan batteriet kortsluttes, hvilket kan medføre brand. Ved opbevaring af lithium-ion-batteriet skal du sørge for at overholde reglerne for følgende indhold.

- Placér ikke elektrisk ledende snavs, søm og ledninger som jern- og kobberledning i opbevaringskassen.
- For at hindre kortslutning skal du sætte batteriet i værktøjet og sætte batteridækslet sikkert på for opbevaring, indtil du ikke længere kan se ventilatoren.

VEDRØRENDE TRANSPORT AF LITHIUM-ION-BATTERI

Ved transport af lithium-ion-batteri bedes du overholde følgende forholdsregler.

ADVARSEL

Giv transportfirmaet besked om, at pakken indeholder et lithium-ion-batteri, informér firmaet om batteriets udgangseffekt, og følg transportfirmaets instruktioner, når du arrangerer transport.

FORHOLDSREGEL OM LITHIUM-ION-BATTERIET

For at forlænge levetiden er lithium-ion-batteriet udstyret med en beskyttelsesfunktion, der kan stoppe strømudladningen. Hvis situation 1 til 3, der er beskrevet nedenunder, skulle opstå under brug af dette produkt, stopper motoren muligvis, selv om du trykker på kontakten. Dette er ikke selve problemet, men resultatet af beskyttelsesfunktionen.

1. Motoren stopper, hvis der ikke længere er tilstrækkelig med strøm på batteriet.
Hvis dette skulle ske, skal du straks lade batteriet op.
2. Hvis værktøjet er overbelastet, stopper motoren muligvis. Hvis dette skulle ske, skal du frigive værktøjets kontakt og fjerne årsagerne til overbelastningen. Efter at du har gjort det, kan du anvende værktøjet igen.
3. Hvis batteriet overophedes pga. overbelastning, holder batteriet op med at levere strøm.
I tilfælde heraf skal du indstille brugen af batteriet og lade det køle af. Efter at du har gjort det, kan du anvende værktøjet igen.

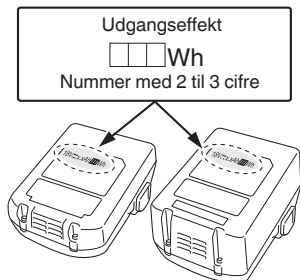
Vær desuden opmærksom på følgende advarsler og forholdsregler.

ADVARSEL

For på forhånd at forhindre enhver form for batterilækage, varmeudvikling, røgudvikling, eksplosion og antændelse, skal du sørge for at være opmærksom på følgende sikkerhedsforanstaltninger.

1. Sørg for, at spåner og støv ikke samler sig på batteriet.
- Under arbejdet skal du sørge for, at der ikke falder spåner og støv ned på batteriet.
- Sørg for, at eventuelle spåner og støv, der falder ned på det elektriske værktøj under arbejdet, ikke samler sig på batteriet.
- Opbevar ikke et ubrugt batteri på et sted, der udsættes for spåner og støv.

- Lithium-ion-batterier, der overstiger en udgangseffekt på 100 Wh, betragtes som værende i fragtklassificeringen farligt gods og kræver særlige anvendelsesprocedurer.
- Ved transport til udlandet skal du overholde international lovgivning samt regler og bestemmelser i det land, der transporteres til.



SYMBOLER




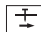
ADVARSEL




Det følgende viser symboler, som anvendes for maskinen. Vær sikker på, at du forstår deres betydning, inden du begynder at bruge maskinen.

	NT 1865DBAL: Ledningsfri dykkerpistol NT 1865DBSL: Ledningsfri dykkerpistol NT 1850DBSL: Ledningsfri dykkerpistol
	Brugeren skal læse betjeningsvejledningen for at mindske risikoen for skader.
	Kun for EU-lande Elektrisk værktøj må ikke bortskaffes som almindeligt husholdningsaffald! I henhold til det europæiske direktiv 2012/19/EU om bortskaffelse af elektrisk og elektronisk udstyr og gældende national lovgivning skal brugt elværktøj indsamles separat og bortskaffes på en måde, der skåner miljøet mest muligt.
	Jævnstrøm
	Slå dykkerpistol TIL
	Slå dykkerpistol FRA
	Kobl batteriet fra
	Afbryder
	Afbryder FRA
	Afbryder TIL Strømindikator: Lyser grønt
	Kontakt til isætning af søm
	FULD SEKVENTIEL AKTIVERINGSMEKANISME
	Indstillingen FULD SEKVENTIEL AKTIVERINGSMEKANISME Indikator for isætning af søm: Lyser blå
	KONTAKTAKTIVERINGSMEKANISME
	Indstillingen KONTAKTAKTIVERINGSMEKANISME Indikator for isætning af søm: Blinker blå
	Udløser låst
	Udløser låst op
	Kontakt til batteriindikator
	Batteriets resterende effekt er tilstrækkelig Batteriindikator: 2 LED-lamper (rød) lyser

BETEGNELSER FOR DELE (Fig. 1 – Fig. 28)

①	Øverste dæksel
②	Udløser
③	LED-lampe
④	Affyringshoved (udtag)
⑤	Skubbehåndtag
⑥	Sømilægger (A)
⑦	Sømilægger (B)
⑧	Magasin
⑨	Krog
⑩	Batteri
⑪	Håndtag til kontaktlås
⑫	Håndtag
⑬	Stophåndtag
⑭	Kontakt til batteriindikator
⑮	Batteriindikator
⑯	Kontakt til isætning af søm
⑰	Strømindikator
⑱	Afbryder
⑲	Indikator for isætning af søm
⑳	Sømstrimmel
㉑	Magasindæksel
㉒	Rille
㉓	Klingeskinne
㉔	Justeringsanordning
㉕	Krogplade
㉖	Spidshætte
㉗	Låsehåndtag
㉘	Styreplade

	Batteriet har omkring halvdelen af sin effekt tilbage. Batteriindikator: 1 LED-lampe (rød) lyser
	Batteriet er næsten tomt. Oplad batteriet igen snarest muligt. Batteriindikator: 1 LED-lampe (rød) blinker
	Kontakt HiKOKI for eftersyn. Batteriindikator: 2 LED-lamper blinker orange, og efter 10 sekunder slukker afbryderen automatisk.
	Flad side

	Dyb side
	Advarsel
	Forbudt handling

SPECIFIKATIONER

1. Ledningsfri dykkerpistol

Model	NT1865DBAL		NT1865DBSL	
Motor	Jævnstrøm, børsteløs		Jævnstrøm, børsteløs	
Anvendeligt søm	15 Ga (Vinkel: 34°)		16 Ga	
Anvendelig sømlængde	32 mm til 65 mm		25 mm til 65 mm	
Kapacitet for isætning af søm [søm]	100 (1 strimmel)		100 (2 strimler)	
Affyringsindstilling	Fuld sekventiel/kontakt (kan vælges)		Fuld sekventiel/kontakt (kan vælges)	
Cyklushastighed	[søm/sekund]	3 (Sporadisk)		3 (Sporadisk)
Batteri	Model	BSL1830C		BSL1850
	Type	Li-ion-batteri		
	Spænding	18 V jævnstrøm		
Vægt*	3,5 – 4,1 kg		3,4 – 4,0 kg	
Mål	Højde × længde × bredde		315 mm × 298 mm × 104 mm	315 mm × 310 mm × 104 mm

* I henhold til EPTA-procedure 01/2014

Afhænger af monteret batteri. Den tungeste vægt er målt ved BSL36B18 (sælges separat).

2. Ledningsfri dykkerpistol

Model	NT1850DBSL			
Motor	Jævnstrøm, børsteløs			
Anvendeligt søm	18 Ga			
Anvendelig sømlængde	16 mm til 50 mm			
Kapacitet for isætning af søm [søm]	100 (1 strimmel)			
Affyringsindstilling	Fuld sekventiel/kontakt (kan vælges)			
Cyklushastighed	[søm/sekund]	3 (Sporadisk)		
Batteri	Model	BSL1830C	BSL1850	
	Type	Li-ion-batteri		
	Spænding	18 V jævnstrøm		
Vægt*	3,3 – 4,0 kg			
Mål	Højde × længde × bredde		323 mm × 298 mm × 104 mm	323 mm × 310 mm × 104 mm

* I henhold til EPTA-procedure 01/2014

Afhænger af monteret batteri. Den tungeste vægt er målt ved BSL36B18 (sælges separat).

3. Batterioplader

Model	UC18YFSL	UC18YML2
Opladningsspænding	14,4–18 V jævnstrøm	
Vægt	0,5 kg	0,7 kg

BEMÆRK

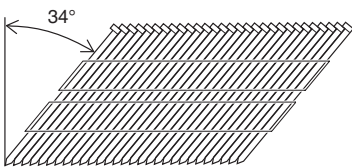
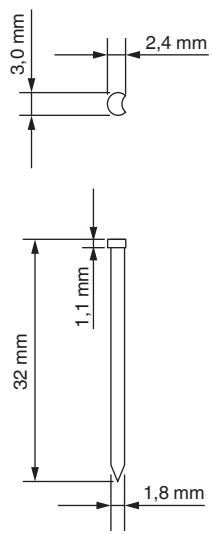

Grundet HiKOKI's løbende forskning og udvikling kan specifikationer heri ændres uden forudgående varsel.

VALG AF SØM

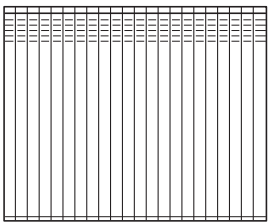
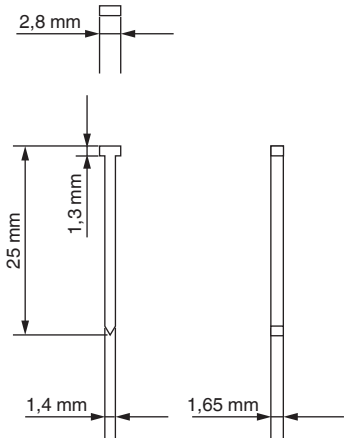

Kun søm, der vises i nedenstående tabel, kan affyres med denne dykkerpistol.

Mål på søm

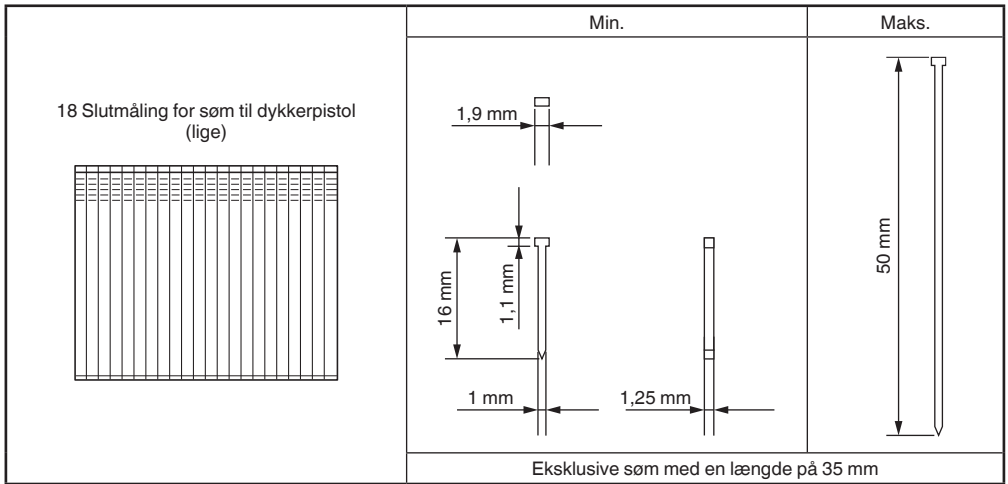
<NT1865DBAL>

	Min.	Maks.
<p>15 Slutmåling for søm til dykkerpistol (Vinkel: 34°)</p> 		

<NT1865DBSL>

	Min.	Maks.
<p>16 Slutmåling for søm til dykkerpistol (lige)</p> 		

<NT1850DBSL>



STANDARDTILBEHØR

Udover hovedenheden (1 enhed) indeholder pakken det tilbehør, der er opstillet på side 378. Der forbeholdes ret til ændringer i standardtilbehør uden varsel.

ANVENDELSE

<NT1865DBAL, NT1865DBSL>

- Isætning af søm som afslutningsproces på områder omkring både døre, vinduer og kanter.
- Afsikring af bunde i skuffer. Fremstilling af forskellige bokse og kabinetter.

<NT1850DBSL>

- Sammenføjninger på kabinetter og billedrammer og møbelbeklædning.
- Beklædning og støbning på stedet samt i campingvogne og autocampere.

OPLADNING

Inden det elektriske værktøj tages i brug, oplades batteriet som følger.

1. Tilsluttes til strømkilden. (Fig. 3)

Ved opladning af batteriet i en vekselstrømkilde

- Tilslut opladerens netkabel til kontakten. Ved tilslutning af opladerens stik til en kontakt, blinker kontrollampen rødt (ét blink i sekundet).

FORSIGTIG

Anvend ikke den elektriske ledning, hvis den er beskadiget. Få den straks repareret.

Ved opladning af batteriet i en 12 V jævnstrømkilde i en bil (UC18YML2)

- Sæt batteriopladeren ordentligt fast i bilen. Anvend den rem, der følger med batteriopladeren, til at fastgøre batteriopladeren og hindre den i at bevæge sig utilsigtet. (Se Fig. 28)

FORSIGTIG

Læg ikke batteriopladeren eller batteriet under førsædet. Fastgør batteriopladeren for at hindre den utilsigtet bevægelse, da det kan føre til en ulykke.



Fig. 28

- Sæt tilslutningsstikket til cigarettænderen i cigarettænderen. Hvis stikket er løst og falder ud af cigarettænderen, skal du reparere stikket. Da stikket kan være defekt, anbefaler vi dig at kontakte din lokale bilforhandler. Fortsat brug af stikket kan medføre en ulykke som følge af overophedning.
- 2. Sæt batteriet i opladeren.** Skub batteriet godt ind i opladeren, indtil linjen er synlig som vist i Fig. 3. Der vises ikke linjer på UC18YFSL. Sørg for, at batteriet er sat ordentligt på plads.
- 3. Opladning** Når et batteri sættes i opladeapparatet, vil opladningen begynde og kontrollampen lyser konstant rødt. Når batteriet er fuldt opladet, blinker kontrollampen rødt. (ét blink i sekundet) (Se Tabel 1)
- (1) Kontrollampens indikation
Kontrollampens indikationer er som vist i Tabel 1, alt efter opladerens eller det genopladelige batteris tilstand.

Dansk

BEMÆRK

Genopladningstiden kan variere alt efter den omgivende temperatur og strømkildens spænding.

<UC18YML2>

Især ved anvendelse af en 12 V jævnstrømkilde i en bil kan det tage længere tid at genoplade ved høje temperaturer.

FORSIGTIG

Når batteriopladeren har været anvendt kontinuerligt, opvarmes den, hvorved årsagen til fejl opstår. Når opladningen er fuldført, skal du vente 15 minutter inden næste opladning.

4. Kobl opladerens netkabel fra kontakten eller cigarettænderen.

5. Hold godt fat om opladeren, og træk batteriet ud.

BEMÆRK

Sørg for at trække batteriet ud af opladeren efter brug, og opbevar det derefter.

Vedrørende elektrisk afl adning af nye batterier etc.

Da den kemiske substans i nye batterier og i batterier, der ikke har været brugt i længere tid, ikke aktiveres, kan den elektriske afl adning være lav, når batterierne bruges første eller anden gang. Dette er et midlertidigt fænomen, og den normale opladetid genvindes ved 2–3 opladninger af batterierne.

Howdan man får batterierne til at holde længere

- Genoplad batterierne, før de bliver helt fl ade. Hvis det er tydeligt, at værktøjet ikke arbejder for fuld kraft, skal det stoppes og batterierne skal oplades. Batteriet kan lide skade og dets levetid forkortes, hvis værktøjet fortsat anvendes og den elektriske e. ekt opbruges.
- Undgå opladning i for stærk varme. Et genopladeligt batteri vil være varmt lige efter brugen. Hvis et sådant batteri oplades umiddelbart efter bruges, vil dets indre substans forringes, og batterilevetiden vil blive kortere. Lad batteriet være og oplad det, når det har kølet af i et stykke tid.

FORSIGTIG

- Hvis batteriet oplades, mens det er varmt efter at have ligget længe på et sted med direkte sollys, eller fordi batteriet lige har været anvendt, lyser opladerens kontrollampe i 1 sekund, hvorefter det ikke lyser i 0,5 sekunder (slukkes i 0,5 sekunder) (UC18YFSL) eller begynder at lyse grønt. (UC18YML2). I et sådant tilfælde skal batteriet først have mulighed for at køle af, hvorefter opladningen kan påbegyndes.
- Når kontrollampen blinker hurtigt rødt (ved 0,2 sekunders intervaller), skal du efterse for og fjerne eventuelle fremmedlegemer i opladerens batteristik. Hvis der ikke er nogen fremmedlegemer, er det muligt, at batteriet eller opladeren ikke fungerer korrekt. Lad et autoriseret servicecenter se på problemet.
- Da den indbyggede microcomputer er omkring 3 sekunder om at bekræfte, at batteriet, der oplades med UC18YFSL / UC18YML2, er taget ud, skal du vente i mindst 3 sekunder, før du sætter batteriet i igen for at fortsætte opladningen. Hvis batteriet sættes i, før der er gået 3 sekunder, er det ikke sikkert, at det kan oplades ordentligt.
- Kontrollér spændingen i strømkilden i bilen, når kontrollampen blinker grønt (for hvert sekund). (UC18YML2)
Hvis spændingen er 12 V eller derunder, indikerer det, at bilens batteri er svækket og ikke kan oplades.
- Hvis kontrollampen ikke blinker rødt (hvert sekund), selvom opladerens ledning eller cigarettænderens tilslutningsstik er tilsluttet til strøm, indikerer det, at opladerens beskyttelses kredsløb kan være aktiveret.

Fjern ledningen eller stikket fra strømmen, og tilslut igen efter 30 sekunder eller deromkring. Hvis dette ikke får kontrollampen til at blinke rødt (hvert sekund), bedes du indlevere opladeren hos HiKOKIs autoriserede servicecenter.

FØR IBRUGTAGNING

Handling	Figur	Side
Fjernelse og isætning af batteriet	2	379
Opladning	3	380
Valg af tilbehør	—	385

1. Sådan anvendes betjeningspanelet

(1) Afbryder TIL (Se Fig. 4)

I tilstanden "Afbryder FRA" skal du trykke på afbryderen og holde den nede i mere end 1 sekund, hvorefter strømindikatorens lys lyser grønt.

BEMÆRK

Tryk ikke på skubbehåndtaget, og/eller tryk ikke på udløseren under processen, hvor afbryderen tændes. Gør du det, forhindrer det afbryderen i at tænde.

[Automatisk slukning]

Når der tændes for strømmen, men dykkerpistolen ikke anvendes i 30 minutter, slukkes dykkerpistolen automatisk. For at tænde den igen skal du trykke på afbryderen.

ADVARSEL

Efterlad aldrig dykkerpistolen med strømmen slået til. Dette kan resultere i en ulykke.

(2) Afbryder FRA (Se Fig. 4)

I tilstanden "Afbryder TIL" skal du trykke på afbryderen og holde den nede i mere end 1 sekund, hvorefter strømindikatorens lys går ud.

I tilstanden "Afbryder TIL" er funktionerne herunder aktive.

(3) Vælg indstilling for isætning af søm

(Fuld sekventiel aktivering/kontaktaktivering)

Når afbryderen tænder, skal du altid indstille indstillingen Fuld sekventiel aktivering til at starte med. (Indikatoren for isætning af søm lyser blåt). (Se Fig. 5)

For at ændre indstilling for isætning af søm, skal du trykke én gang på kontakten til isætning af søm. Hver gang du trykker, skifter indstillingen mellem "Fuld sekventiel" og "Kontakt". (Se Fig. 6)

Lys (blåt):




FULD SEKVENTIEL AKTIVERINGSMEKANISME

Blinkende lys (blåt):

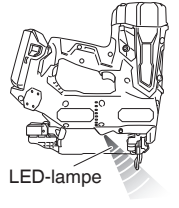

KONTAKTAKTIVERINGSMEKANISME

(4) Kontrollér resterende batteriniveau

Når du trykker på kontakten til batteriindikatoren, viser batteriindikatoren Resterende batteriniveau ved status for LED-lampe som nedenfor.

Status for indikator	
 2 LED-lamper (rød) lyser	Batteriets resterende effekt er tilstrækkelig.
 1 LED-lampe (rød) lyser	Batteriet har omkring halvdelen af sin effekt tilbage.
 1 LED-lampe (rød) blinker	Batteriet er næsten tomt. Oplad batteriet igen snarest muligt.

- (5) Andre funktioner
I tilfælde af driftsfejl ses LED-lamperne som nedenfor.

Status for indikator	
 <p>LED-lampe</p> <p>LED-lampen blinker i et interval.</p> <ul style="list-style-type: none"> • I tilfælde af en for varm tilstand, blinker den i intervaller på 1 sekund. • I tilfælde af en for kold tilstand, blinker den i intervaller på 0,5 sekund. <p>Efter 10 sekunder slukker LED-lampen og afbryderen automatisk.</p>	<p>Maskinen er i en for kold (under -5°C eller en for varm tilstand). Lad dykkerpistolen køle af eller genvinde varme ordentligt under passende forhold.</p>
 <p>2 LED-lamper blinker orange, og efter 10 sekunder slukker afbryderen automatisk.</p>	<p>Kontakt HiKOKI for eftersyn.</p>




- (6) Sådan anvendes LED-lampen (Se Fig. 7)
Mens afbryderen er tændt, lyser LED-lampen automatisk spidsen af værktøjet op.

FORSIGTIG

- Du må ikke udsætte dit øje direkte for lyset ved at kigge ind i det.
Hvis dit øje vedvarende udsættes for lyset, tager det skade.
- Tør alt snavs og smuds af, der sidder på LED-lampens objektiv, med en blød klud, mens du passer på ikke at ridse objektivet.
Ridser på LED-lampens objektiv kan medføre reduceret lysstyrke.

2. Udløserens låsemekanisme (se Fig. 8)

ADVARSEL

Sørg for, at udløseren er låst, når der ikke affyres søm. Denne dykkerpistol har en låsemekanisme for at undgå, at der affyres søm.
Indstil håndtaget til kontaktlås ved positionen  for at låse udløseren.
Skub håndtaget til kontaktlås hen på positionen , når dykkerpistolen skal anvendes, og hen på positionen , når den ikke er i brug.

3. Test af dykkerpistolen

ADVARSEL

- Sørg for, at udløseren er låst, når der ikke affyres søm. (Se Fig. 8)
- Anvend kun dykkerpistolen, når skubbehåndtaget fungerer korrekt.
NT1865DBAL, og NT1865DBSL anvender en forebyggende mekanisme for drift uden belastning.
NT1865DBAL og NT1865DBSL kommer i en tilstand, hvor skubbehåndtaget ikke kan skubbes op. Dette sker, når der ikke er søm i magasinet, eller når det resterende antal søm går under 6 eller 9.

FORSIGTIG

Pas på ikke at sætte spidsen af skubbehåndtaget på træet.

Før arbejdet med isætning af søm rent faktisk påbegyndes, skal du afprøve dykkerpistolen ved hjælp af nedenstående kontrolliste. Udfør tests i følgende rækkefølge.

Hvis der opstår unormal drift, skal du indstille brugen af dykkerpistolen og omgående kontakte et autoriseret HiKOKI-servicecenter.

- (1) FJERN ALLE SØM OG BATTERIET FRA DYKKERPISTOLEN.

- ALLE SKRUEER SKAL SPÆNDES.
- SKUBBEHÅNDTAG OG UDLØSER SKAL BEVÆGE SIG UHINDRET med sømilæggeren trukket tilbage (B). (NT1850DBSL: Unødvendigt at trække sømilæggeren tilbage)

- (2) Installation af batteriet.
Du må ikke anvende skubbehåndtaget eller udløseren ved installation af batteriet. (Se Fig. 2)

- (3) Tænd afbryderen. (Se Fig. 1)
Tænd afbryderen ved at trykke på afbryderen og holde den nede i over 1 sekund.

Sørg for, at strømindikatoren lyser grønt, og indikatoren for isætning af søm lyser blåt. (FULD SEKVENTIEL AKTIVERINGSMEKANISME)

BEMÆRK

Tryk ikke på skubbehåndtaget, og/eller tryk ikke på udløseren under processen, hvor afbryderen tændes. Gør du det, forhindrer det afbryderen i at tænde.

[Automatisk slukning]

Når der tændes for strømmen, men dykkerpistolen ikke anvendes i 30 minutter, slukkes dykkerpistolen automatisk. For at tænde den igen skal du trykke på afbryderen.

ADVARSEL

Efterlad aldrig dykkerpistolen med strømmen slået til. Dette kan resultere i en ulykke.

Indikator for isætning af søm

- Lys (blåt):
FULD SEKVENTIEL AKTIVERINGSMEKANISME
Blinkende lys (blåt):
KONTAKTAKTIVERINGSMEKANISME
Kontrollér, at batteriindikatoren ikke blinker.
Hvis batteriindikatoren blinker rødt, har batteriet ikke nok strøm, og det skal oplades.

- (4) Fjern fingeren fra udløseren, og tryk skubbehåndtaget mod arbejdsemnet med sømilæggeren trukket tilbage (B).

- DYKKERPISTOLEN MÅ IKKE VÆRE I DRIFT.

- (5) Flyt skubbehåndtaget fra arbejdsemnet.
Dernæst skal du lade dykkerpistolen pege nedad med sømilæggeren (B) trukket tilbage, trykke på udløseren og derefter afvente i denne position i 5 sekunder eller derover.

- DYKKERPISTOLEN MÅ IKKE VÆRE I DRIFT.

- (6) ① Uden at røre ved udløseren skal du trykke skubbehåndtaget ned mod arbejdsemnet med sømilæggeren trukket tilbage (B).
Dernæst skal du trykke på udløseren.

- DYKKERPISTOLEN SKAL VÆRE I DRIFT.

- ② Hold udløseren tilbage, og tryk skubbehåndtaget ned mod arbejdsemnet igen.

- DYKKERPISTOLEN MÅ IKKE VÆRE I DRIFT.

Dansk

- ③ Flyt fingeren fra udløseren.
Dernæst anvendes ① igen.
- DYKKERPISTOLEN SKAL VÆRE I DRIFT.
- (7) Flyt skubbehåndtaget fra arbejdsemnet, og tryk på udløseren.
Tryk skubbehåndtaget ned mod arbejdsemnet inden for 2 sekunder.
- DYKKERPISTOLEN MÅ IKKE VÆRE I DRIFT.
- (8) Slå indstillingen Indikator for isætning af søm TIL. (KONTAKTAKTIVERINGSMEKANISME)
Tryk én gang på kontakten til isætning af søm, og sørg for, at indikatoren blinker blå.
Flyt skubbehåndtaget fra arbejdsemnet, og tryk på udløseren.
Tryk skubbehåndtaget ned mod arbejdsemnet inden for 2 sekunder.
- DYKKERPISTOLEN SKAL VÆRE I DRIFT.
- (9) Hvis der ikke observeres unormal drift, kan du sætte søm i dykkerpistolen.
Kør søm ned i arbejdsemnet af samme type som dem, der skal benyttes i den faktiske anvendelse.
- DYKKERPISTOLEN SKAL FUNGERE KORREKT.

4. Kontrol af udløserarmens betjening

ADVARSEL

Sørg for, at udløseren er låst, når der ikke affyres søm.
Sørg altid for at udløseren er låst, og batteriet er fjernet fra værktøjet, når du kontrollerer udløserarmens betjening.

Kontroller at udløserarmen glider ordentligt, når den betjenes.

Rengør glideområdet på udløserarmen, hvis den ikke glider ordentligt.

5. Isætning af søm

ADVARSEL

- Når du sætter søm i dykkerpistolen,
- 1) fjern batteriet fra dykkerpistolen;
 - 2) tryk ikke på udløseren;
 - 3) tryk ikke skubbehåndtaget ned; og
 - 4) hold dykkerpistolen, så den peger nedad.

<NT1865DBAL, NT1865DBSL>

2-Kom i gang med at sætte søm il

- (1) Sæt sømstrimlen ind bag på magasinet. (Se Fig. 9)
- (2) Skub sømstrimlen fremad i magasinet. (Se Fig. 10)
- (3) Skub sømilæggeren (A) for at koble sømilæggeren (B) til sømstrimlen. (Se Fig. 11)

BEMÆRK

- Skub stille sømilæggeren (A) og sømilæggeren (B) mod sømmet.
Hvis sømilæggeren (A) og sømilæggeren (B) udløses omme bag fra magasinet og støder på sømmet, kan sømmets klæbemiddel tage skade.
- Anvend en sømstrimmel på mere end 10 søm.
- Anvend en ubrudt sømstrimmel, hvor alle søm har samme længde.

Dykkerpistolen er nu klar til brug.

Fjernelse af søm:

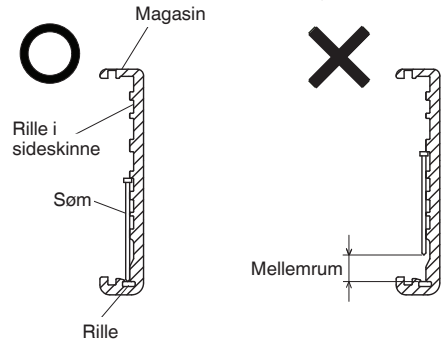
- ① Træk sømilæggeren (B) bagud. (Se Fig. 12)
- ② Returnér sømilæggeren (B) stille fremad, mens du skubber sømilæggeren (A).
- ③ Træk søm ud fra bagerst i magasinet. (Se Fig. 13)

<NT1850DBSL>

- (1) Tryk let på stophåndtaget, og træk forsigtigt magasindækslet ud. (Se Fig. 14)
- (2) Sæt sømstrimlen ind i magasinet, og hold sømmenes spidser i berøring med rillen. (Se Fig. 15)

BEMÆRK

Sømmene, der vises på side 152, kan sættes i rillen i sideskinnen på magasinet uden justeringer.
Hold altid sømmenes spidser i berøring med rillen.



- (3) Skub sømstrimlen ind i klingskinnen. (Se Fig. 16)
- (4) Bekræft, at sømstrimlen er anbragt korrekt i rillerne i sideskinnen og rillen, og skub derefter magasindækslet fremad, så det låses.

SÅDAN ANVENDER DU DYKKERPISTOLEN

ADVARSEL

- Ret ALDRIG værktøjet mod dig selv eller andre i arbejdsområdet.
- Hold fingrene VÆK fra udløseren, når du ikke affyres søm for at undgå utilsigtet affyring.
- Anvend ikke den elektriske ledning, hvis den er beskadiget. Få den straks repareret.
- Valg af udløsermetode er vigtigt.
Læs og forstå "1. Procedurer for isætning af søm", der ses nedenfor.
- Før du påbegynder arbejdsopgaven, skal du kontrollere omskifteranordningen for isætning af søm.
Denne HiOKI-dykkerpistol har en omskifteranordning for isætning af søm.
Før du påbegynder arbejdsopgaven, skal du sørge for, at omskifteranordningen er indstillet korrekt.
Hvis omskifteranordningen ikke er indstillet korrekt, fungerer dykkerpistolen ikke ordentligt.
- Sæt aldrig hoved, hænder eller fødder hen i nærheden af affyringshovedet under anvendelse.
- Kør ikke søm i oven på andre søm eller med dykkerpistolen i en for stejl vinkel; søm kan slå tilbage og skade nogen.
- Kør ikke søm ned i tynde brædder eller i nærheden af hjørner eller kanter på arbejdsemnet. Søm kan køre igennem eller væk fra arbejdsemnet og ramme nogen.
- Kør aldrig søm i på begge sider af en væg på samme tid. Søm kan køres ind i og gennem væggen og ramme en person på modsatte side.
- Anvend aldrig en dykkerpistol, der er defekt eller fungerer unormalt.
- Anvend ikke dykkerpistolen som hammer.
- Fjern alle resterende fastgøringsanordninger og batteriet fra dykkerpistolen, når:
 - 1) der udføres vedligeholdelse og eftersyn;
 - 2) du kontrollerer korrekt drift af skubbehåndtag og udløser;
 - 3) spidshætten monteres eller fjernes;
 - 4) du afhjælper et sømstop;
 - 5) dykkerpistolen ikke er i brug;
 - 6) du forlader arbejdsområdet;
 - 7) du flytter dykkerpistolen et andet sted hen; og

- 8) rækker den til en anden person.
- Fjern batteriet fra dykkerpistolen, når:
 - 1) isætning af søm;
 - 2) du drejer justeringsanordningen.

Denne HiKOKI-dykkerpistol er udstyret med en omskifteranordning for isætning af søm.

Anvend FULD SEKVENTIEL AKTIVERINGSMEKANISME eller KONTAKTAKTIVERINGSMEKANISME i henhold til den arbejdsopgave, der skal udføres.

Forklaring på de forskellige funktioner for isætning af søm

- FULD SEKVENTIEL AKTIVERINGSMEKANISME:
Først skal du trykke skubbehåndtaget mod træet; dernæst skal du trykke på udløseren for at affyre søm.

Følg samme sekvens for at fortsætte med at affyre søm. Når du har skudt ét søm i, er isætning af søm først muligt, når du fjerner fingeren fra udløseren og løfter værktøjet helt fra træoverfladen.

- KONTAKTAKTIVERINGSMEKANISME:
KONTAKTAKTIVERING kan følge to forskellige sekvenser alt efter din anvendelse.

For at affyre flere søm:

1. Tryk på udløseren.
2. Tryk skubbehåndtaget ned mod træet for at affyre søm.
3. Hvis udløseren holdes tilbage, affyres der et søm, hver gang skubbehåndtaget trykkes mod træet.

For at affyre et enkelt søm:

1. Tryk skubbehåndtaget mod træet.
2. Tryk på udløseren for at affyre søm.
3. Fjern din finger fra udløseren, og fjern dykkerpistolen fra træet.

[Låsemekanisme til tørraffyring]

NT1865DBAL og NT1865DBSL anvender en forebyggende mekanisme for drift uden belastning. NT1865DBAL og NT1865DBSL kommer i en tilstand, hvor skubbehåndtaget ikke kan skubbes op. Dette sker, når der ikke er søm i magasinet, eller når det resterende antal søm går under 6 eller 9.

FORSIGTIG

Pas på ikke at sætte spidsen af skubbehåndtaget på træet, når skubbehåndtaget ikke kan skubbes op.

1. Procedurer for isætning af søm

Denne dykkerpistol er udstyret med skubbehåndtag og virker kun, når skubbehåndtaget trykkes ned. Der er to driftsmetoder til affyring af søm med denne dykkerpistol.

De er:

1. Afbrudt drift (affyring af udløser):
2. Kontinuerlig drift (affyring af skubbehåndtag):

- (1) Afbrudt drift (affyring af udløser)
Anvend indstillingen FULD SEKVENTIEL AKTIVERINGSMEKANISME. (Se Fig. 17)

ADVARSEL

- For afbrudt drift skal du indstille kontakten til isætning af søm til FULD SEKVENTIEL AKTIVERINGSMEKANISME (indikatoren for isætning af søm lyser blå). (Dvs. indstillet til ENKELAKTIVERINGSMEKANISME).

- For at undgå dobbeltaffyring eller utilsigtet affyring som følge af tilbageslag.

- 1) Indstilles til FULD SEKVENTIEL AKTIVERINGSMEKANISME.

- 2) Tryk hurtigt og fast på udløseren.

- ① Indstil kontakten til isætning af søm til FULD SEKVENTIEL AKTIVERINGSMEKANISME (indikatoren for isætning af søm lyser blå).

(for at indstille til FULD SEKVENTIEL AKTIVERINGSMEKANISME).

(Indstil omskifteranordningen til den indstilling, hvor indikatoren for isætning af søm lyser blå, fuldstændigt som vist i Fig. 17. Ellers indstilles den til KONTAKTAKTIVERINGSMEKANISME).

- ② Anbring sømudtaget på arbejdsemnet med fingeren væk fra udløseren.

- ③ Tryk skubbehåndtaget hårdt ned, indtil det er trykket helt ned.

- ④ Tryk på udløseren for at affyre et søm.

- ⑤ Fjern fingeren fra udløseren, og løft værktøjet helt væk fra træets overflade.

For at fortsætte med at sætte søm i på en særskilt placering skal du flytte dykkerpistolen langs med træet og gentage trin ② - ⑤ efter behov.

BEMÆRK

Funktionerne ③ og ④ skal udføres inden for 2 sekunder efter hinanden. Hvis der går mere end 2 sekunder efter ③, virker dykkerpistolen ikke ordentligt. Hvis dette sker, skal du prøve igen fra ③.

- (2) Kontinuerlig drift (affyring af skubbehåndtag)

Ved anvendelse af KONTAKTAKTIVERINGSMEKANISME (Se Fig. 18)

ADVARSEL

For at undgå dobbeltaffyring eller utilsigtet affyring som følge af tilbageslag.

- 1) Tryk ikke dykkerpistolen mod træet med overdreven kraft.

- 2) Flyt dykkerpistolen fra træet, idet den slår tilbage efter isætning af søm.

- ① Indstil kontakten til isætning af søm til KONTAKTAKTIVERINGSMEKANISME (indikatoren for isætning af søm blinker blå).

(for at indstille til KONTAKTAKTIVERINGSMEKANISME). (Indstil omskifteranordningen i den tilstand, hvor indikatoren for isætning af søm blinker blå, fuldstændigt som vist i Fig. 18. Ellers fungerer det ikke korrekt).

- ② Tryk på udløseren, hvor dykkerpistolen er væk fra arbejdsemnet.

- ③ Tryk skubbehåndtaget ned mod arbejdsemnet for at affyre et søm.

- ④ Flyt dykkerpistolen langs med arbejdsemnet med en springende bevægelse.

Ved hvert tryk på skubbehåndtaget affyres der et søm.

Så snart det ønskede antal søm er affyret, skal du fjerne fingeren fra udløseren.

BEMÆRK

Funktionerne ② og ③ skal udføres inden for 2 sekunder efter hinanden. Hvis der går mere end 2 sekunder efter ②, virker dykkerpistolen ikke ordentligt. Hvis dette sker, skal du prøve igen fra ②.

ADVARSEL

- Hold fingeren væk fra udløseren, undtagen ved isætning af søm, idet der kan ske alvorlig skade, hvis skubbehåndtaget ved et uheld kommer i kontakt med dig eller andre i arbejdsområdet.

- Hold hænder og krop væk fra udladningsområdet. Denne HiKOKI-dykkerpistol kan springe i forbindelse med tilbageslag ved affyring af søm, og der kan affyres et uønsket søm efterfølgende, der muligvis medfører tilskadekomst.

BEMÆRK

- Hvis alle advarsler og instruktioner følges, er sikker drift mulig med begge de to systemer: FULD SEKVENTIEL AKTIVERINGSMEKANISME, KONTAKTAKTIVERINGSMEKANISME.

- Håndtér altid søm og emballage forsigtigt. Hvis der tabes søm, kan bindemidlet gå i stykker, hvilket medfører fejlagtig fremføring og sømstop.

- Efter isætning af søm:

- 1) Fjern batteriet fra dykkerpistolen;
- 2) Fjern alle søm fra dykkerpistolen;

2. Justering af dybden for isætning af søm

For at sikre, at hvert enkelt søm trænger igennem til samme dybde, skal du sørge for, at dykkerpistolen altid holdes ordentligt ned mod arbejdsemnet.

Hvis sømme køres for dybt eller for overfladisk ned i arbejdsemnet, skal du justere isætningen af søm i følgende rækkefølge.

Dansk

- ① Fjern batteriet fra dykkerpistolen.
 - ② Hvis sømmene køres for dybt i, skal du dreje justeringsanordningen til den flade side. (Se Fig. 19) Justeringerne er i trin på en halv omgang. Hvis sømmene køres for overfladisk i, skal du dreje justeringsanordningen mod den dybe side. (Se Fig. 20)
 - ③ Hold op med at dreje justeringsanordningen, når der opnås en egnet position for en test af isætning af søm.
 - ④ Tilslut batteriet til dykkerpistolen.
BÆR ALTID BESKYTTELSESBRILLER.
Udfør en test af isætning af søm.
 - ⑤ Fjern batteriet fra dykkerpistolen.
 - ⑥ Vælg en egnet position for justeringsanordningen.
- 3. Anvendelse af krogen (Se Fig. 21, 22, 23)**

ADVARSEL

Ved anvendelse af krogen skal du slukke afbryderen (grønt lys "FRA"). Vær tilstrækkeligt opmærksom, så det primære udstyr ikke falder ned.
Hvis værktøjet falder ned, er der risiko for ulykker.

Krogn kan monteres på venstre eller højre side. (eksklusive NT1865DBAL)

- ① Fjern batteriet, og fjern derefter alle resterende søm fra magasinet.
- ② Hold godt fast i den primære enhed, og fjern skruen med en skruetrækker. (Se Fig. 21)
- ③ Fjern krogn og krogpladen. (Se Fig. 22)
- ④ Monter krogn på den anden side, og fastgør den sikkert med skruen. (Se Fig. 23)

BEMÆRK

Krogn kan anvendes som bøjle.

4. Anvendelse af spidshætten (Se Fig. 24, 25)

ADVARSEL

Ved montering eller afmontering af spidshætten skal du sørge for at fjerne din finger fra udløseren samt fjerne alle resterende fastgøringsanordninger og batteriet fra dykkerpistolen.

Hvis du ønsker at beskytte arbejdsemnets overflade mod ridser forårsaget af skubbehåndtaget, skal du montere spidshætten, der er tilbehør til skubbehåndtaget.

- ① Fjern alle resterende fastgøringsanordninger og batteriet fra dykkerpistolen.
- ② Sæt spidshætten ved foden af skubbehåndtaget.
- ③ Spidshætten er markeret for at indikere det punkt, hvor sømmet kommer ud, hvilket gør justering nemmere.
- ④ Når du ikke anvender spidshætten, skal du afsikre den i opbevaringsrummet, som sidder på bagsiden af magasinet.

BEMÆRK

Spidshætten kan reducere dybden af isætning af søm som følge af dens tykkelse. Gentagen justering af dybden af isætning af søm er påkrævet.

5. Afhjælpning af sømstop

Hvis der sidder søm fast i affyringshovedet, skal du fjerne det og justere isætningen af søm i følgende rækkefølge.

FORSIGTIG

- ① Fjern batteriet fra dykkerpistolen.
- ② Fjern batteriet fra dykkerpistolen.
- ③ Fjern alle søm.
- ④ Udløs låsehåndtaget, og åbn styrepladen. (Se Fig. 26)
- ⑤ Fjern det fastklemte søm med en skruetrækker med lige kær. (Se Fig. 27)

FORSIGTIG

- Ram ALDRIG driverklingen.
- Ret ALDRIG værktøjet mod dig selv eller en anden person for at undgå risikoen for tilskadekomst ved fejlagtig affyring.

Selv hvis batteriet fjernes fra dykkerpistolen, er der stadig energi fra trykluft inde i dykkerpistolen.

- ⑤ Luk styrepladen, og lås den.

BEMÆRK

I tilfælde af hyppigt sømstop, skal du kontakte et autoriseret HiKOKI-servicecenter.

VEDLIGEHODELSE OG EFTERSYN

FORSIGTIG

Sørg for at fjerne alle resterende fastgøringsanordninger og batteriet fra dykkerpistolen for vedligeholdelse og eftersyn.

1. Eftersyn af magasinet

- ① Fjern batteriet fra dykkerpistolen.
- ② Rens magasinet. Fjern støv og træspåner, som måtte have samlet sig i magasinet.

FORSIGTIG

Kontrollér, at sømilæggeren glider jævnt ved at trække den med en finger.

Hvis den ikke glider jævnt, kan sømmene affyres skævt og skade nogen.

2. Eftersyn af monteringsskrue

Efterse regelmæssigt alle monteringsskrue, og sørg for, at de er spændt ordentligt. Hvis nogle af skrueene er løse, skal du omgående spærde dem igen. Hvis du ikke gør det, kan det medføre alvorlig fare.

3. Vedligeholdelse af motoren

Motor delen er selve "hjertet" af det elektriske værktøj. Udvis forsigtighed for at sikre, at motordelen ikke beskadiges og/eller bliver våd af olie eller vand.

4. Inspektion af terminaler (værktøj og batteri)

Efterse for at sikre dig, at spåner og støv ikke har samlet sig på terminalerne.

Kontrollér med mellemrum før, under og efter betjening.

FORSIGTIG

Fjern eventuelle spåner og støv, som måtte have samlet sig på terminalerne.

Hvis du ikke gør det, kan det forårsage funktionsfejl.

5. Udvendig rengøring

Når det elektriske værktøj er snavset, kan det tørre det af med en blød, tør klud eller en klud fugtet med sæbevand. Brug ikke kloropløsning, benzin eller fortynder, da disse væsker opløser plastik.

6. Opbevaring

Opbevar det elektriske værktøj på et sted, hvor temperaturen er under 40°C, og som er udenfor børns rækkevidde.

BEMÆRK

Opbevaring af lithium-ion-batterier.

Sørg for, at lithium-ion-batterierne er blevet ladet helt op, inden de opbevares.

Længerevarende opbevaring (3 måneder eller derover) af batterier med en lille ladning kan resultere i en forringelse af ydeevnen, reducere brugstiden for batterierne væsentligt eller gøre, at batterierne ikke kan bevare en opladning.

Dog kan væsentligt reduceret brugstid for batterierne muligvis genoprettes ved hjælp af gentaget opladning og brug af batterierne to til fem gange.

Hvis brugstiden for batterierne er ekstremt kort på trods af gentaget opladning og brug, bør du betragte batterierne som udtjente og købe nogle nye.

FORSIGTIG

Ved anvendelse og vedligeholdelse af el-værktøj skal de sikkerhedsregler og standarder, som gælder i hvert enkelt land, nøje overholdes.

Vigtig meddelelse angående batterier til ledningsfri elektriske værktøjer fra HiKOKI

Brug altid et af vores designerede originale batterier. Vi kan ikke garantere for sikkerheden og ydelsen af vores ledningsfri elektriske værktøj ved brug af andre batterier end dem, vi har angivet, eller hvis batteriet skilles ad og ændres (som f.eks. adskillelse og udskiftning af celler eller andre indvendige dele).

GARANTI

Vi yder garanti på elektriske værktøjer fra HiKOKI i henhold til lovmæssige/nationale særbestemmelser alt efter land. Denne garanti dækker ikke defekter eller beskadigelse som følge af mishandling, misbrug eller normal slitage. I tilfælde af klager bedes du indsende det elektriske værktøj, samlet med det GARANTIBEVIS, der forefindes i slutningen af denne håndteringsvejledning, til et HiKOKI-autoriseret servicecenter.

Information om støj

De målte værdier for støj er fastsat i overensstemmelse med EN 60745.

Det typiske A-vejede enkeltstående lydtryksniveau $L_{WA}, 1s, d = 92 \text{ dB}$

Det typiske A-vejede enkeltstående emissionslydtryksniveau på arbejdssted $L_{pA}, 1s, d = 81 \text{ dB}$

Usikkerhed $KpA: 3 \text{ dB}$

Disse værdier er værktøjsrelaterede karakteristikaværdier og repræsenterer ikke støj udviklingen på arbejdsstedet. Støjudvikling på arbejdsstedet vil for eksempel afhænge af arbejdsmiljøet, arbejdsstoffet og antallet af slagninger etc.

Afhængigt af forholdene på arbejdsstedet og formen af arbejdsstykket, kan det være nødvendigt med individuel støjdæmpning, som for eksempel placering af arbejdsstykker på lyd dæmpningsstøtter, som forhindrer vibrationer via fastspænding eller tildækning.

I særlige tilfælde vil det være nødvendigt at anvende høreværn.

Information om vibration

Typisk vibrationskarakteristika i overensstemmelse med EN 60745: $2,6 \text{ m/s}^2$

Usikkerhed $K = 1,5 \text{ m/s}^2$

Disse værdier er værktøjsrelaterede karakteristikaværdier og repræsenterer ikke påvirkningen af hånd-arm-systemet, når værktøjet anvendes. En påvirkning af hånd-arm-systemet, når værktøjet anvendes, vil for eksempel afhænge af grebkraften, styrken af kontaktrykket, arbejdsretningen, indstillingen af energitilførslen, arbejdsstykket og arbejdsstykke støtten.

Den angivne totale vibrationsværdi er blevet målt i henhold til en standardiseret testmetode og kan anvendes til at sammenligne et værktøj med et andet.

Den kan også anvendes ved en indledningsvis vurdering af eksponeringen.

ADVARSEL

- Vibrationsudsendelsen under faktisk brug af det elektriske værktøj kan afvige fra den erklærede totalværdi alt efter, hvordan værktøjet anvendes.
- For at identificere sikkerhedsforanstaltningerne til beskyttelse af brugeren, er der foretaget en vurdering af eksponeringen ved brug under virkelige forhold (hvor der er taget højde for alle dele af betjeningscyklen, som fx når værktøjet er slukket, og når det kører i tomgang, udover tiden hvor der trykkes på aftrækkeren).

BEMÆRK

Grundet HiKOKI's løbende forskning og udvikling kan specifikationerne heri ændres uden forudgående varsel.

Vedligeholdelsesskema

HANDLING	HVORFOR	HVORDAN
Rens magasin og ilæggermekanisme.	Undgå sømstop.	Blæses ren dagligt.
Sørg for, at skubbehåndtaget bliver ved med at fungere korrekt.	Sørg for at fremme operatørsikkerhed og effektiv drift i dykkerpistolen.	Blæses ren dagligt.

FEJLFINDING

Brug eftersynene i tabellen herunder, hvis værktøjet ikke fungerer normalt. Hvis dette ikke afhjælper problemet, skal du kontakte din forhandler eller et autoriseret HiKOKI-servicecenter.

PROBLEM	KONTROLMETODE	KORREKTION
Afbryderen tænder ikke. Tænder én gang, men slukker automatisk.	Lavt batteriniveau.	Oplad batteriet.
	Beskadiget indvendig elektronik.	Kontakt HiKOKI for udskiftning.
	Er skubbehåndtag og/eller udløser i tilstanden TIL?	Hold skubbehåndtaget og udløseren i tilstanden FRA.
	Oprethold ingen drift over en periode på 30 minutter? (Funktion for automatisk slukning)	Tryk på afbryderen, og hold den nede i mere end 1 sekund for at slå den "TIL"
Dykkerpistol virker ikke (Afbryder TIL).	Dykkerpistol ikke trykket tilstrækkeligt ned mod arbejdsemnet.	Hold godt fast i dykkerpistolen, og tryk den helt ned på arbejdsemnet.
	Udløser ikke trukket tilstrækkeligt.	Træk ordentligt i udløseren.
	Mere end 2 sekunder går fra skubbehåndtaget slås TIL, til udløseren slås TIL (eller fra udløseren slås TIL, til skubbehåndtaget slås TIL).	Sørg for, at der går mindre end 2 sekunder imellem, at skubbehåndtaget slås TIL, og udløseren slås TIL (eller imellem, at udløseren slås TIL, og skubbehåndtaget slås TIL).
	Forebyggende mekanisme aktiveres. (Der er ingen søm eller for få fastgøringsanordninger tilbage) (eksklusive NT1850DBSL)	Sæt søm i magasinet.
	Håndtaget til kontaktlås (funktion for udløserlås) er i positionen "TIL".	Indstil kontaktlåsen til positionen "FRA". (Se Fig. 8)
	Maskinen er for kold (under -5°C) eller for varm. (LED-lampen blinker ved regelmæssige intervaller, og afbryderen går ud efter 10 sekunder.) (Se side 155)	Lad dykkerpistolen køle af eller genvinde varme ordentligt under passende forhold.
	Beskadiget indvendig elektronik.	Kontakt HiKOKI for udskiftning.
Dykkerpistolen virker, men der affyres intet søm.	Magasinet er snavset.	Blæs magasinet rent, og tør det af.
	Efterse for sømstop.	Afhjælp et sømstop (se Fig. 26, 27).
	Driverklinge slidt eller beskadiget?	Kontakt HiKOKI for udskiftning.
	Båndfjeder svækket eller beskadiget?	Udskift båndfjederen.
	Sømilægger beskadiget?	Udskift sømilæggeren.
	Efterse for korrekte søm.	Anvend kun anbefalede søm.
Svækket affyring. Langsom videreførelse.	Kontrollér position for justeringsanordning til justering af dybde for isætning af søm.	Justér igen i henhold til Fig. 19, 20 .
	Driverklinge slidt?	Kontakt HiKOKI for udskiftning.
	Trykket i trykluft er blevet lavt.	Kontakt HiKOKI for udskiftning.
	Beskadiget indvendig elektronik.	Kontakt HiKOKI for udskiftning.
Affyrer for dybt.	Kontrollér position for justeringsanordning til justering af dybde for isætning af søm.	Justér igen i henhold til Fig. 19, 20 .
Overspring af søm. Afbrudt fremføring.	Efterse for korrekte søm.	Anvend kun anbefalede søm.
	Sømilægger beskadiget?	Udskift sømilæggeren.
	Båndfjeder svækket eller beskadiget?	Udskift båndfjederen.
	Driverklinge slidt eller beskadiget?	Kontakt HiKOKI for udskiftning.
Sømstop. Affyret søm er bøjet.	Efterse for korrekte søm.	Anvend kun anbefalede søm.
	Driverklinge slidt eller beskadiget?	Kontakt HiKOKI for udskiftning.

GENERELLE SIKKERHETSFORHOLDSREGLER FOR ELEKTROVERKTØY

⚠ ADVARSEL

Les alle advarsler og sikkerhetsinstruksjoner.

Følg ikke alle advarsler og instruksjoner kan det medføre elektrisk støt, brann og/eller alvorlig personskade.

Ta vare på alle varsler og instruksjoner for fremtidig bruk.

Betegnelsen "elektroverktøy" i advarslene henviser både til elektrisk elektroverktøy (med ledning) og batteridrevet elektroverktøy.

1) Sikring på arbeidsområdet

- Hold arbeidsområdet rent og godt opplyst.**
Uryddige eller mørke områder kan føre til ulykker.
- Bruk aldri elektroverktøy på steder med fare for eksplosjon, slik som i nærheten av brennbare væsker, gass eller støv.**
Støv eller gasser kan antennes av gnister fra elektroverktøyet.
- La aldri barn eller andre personer stå i nærheten når du bruker et elektroverktøy.**
Du kan bli forstyrret og miste kontroll over verktøyet.

2) Elektrisk sikkerhet

- Støpslet på elektroverktøyet må passe med vegguttaket.**
Du må aldri endre støpslet på noen måte. Bruk aldri en adapter sammen med et jordet elektroverktøy.
Uendrede støpsler og passende uttak vil redusere faren for elektrisk støt.
- Unngå å komme i kontakt med jordede overflater slik som rør, radiatorer, komfyrer eller kjøleskap.**
Faren for elektrisk støt vil være større dersom du er jordet.
- La aldri elektroverktøyet utsettes for regn eller fuktighet.**
Dersom det kommer vann inn i elektroverktøyet kan det øke faren for elektrisk støt.
- Ikke skad ledningen. Bruk aldri ledningen til å bære, trekke eller kople fra elektroverktøyet. Hold strømledningen unna varme, olje, skarpe kanter eller bevegelige deler.**
Skadde eller innfiltrerte ledninger øker faren for elektriske støt.
- Når du bruker elektroverktøy utendørs, bruk en skjoteledning som er egnet for utendørs bruk.**
Bruk av en skjoteledning som er beregnet for utendørs bruk vil redusere faren for elektrisk støt.
- Hvis bruk av elektroverktøyet i et fuktig område ikke kan unngås, bruk et strømuttak med jordfeilbryter.**
Bruk av jordfeilbryter reduserer faren for elektriske støt.

3) Personlig sikkerhet

- Vær påpasselig, se hva du gjør og bruk sunn fornuft når du bruker et elektroverktøy.**
Du må aldri bruke et elektroverktøy når du er sliten eller trett, eller dersom du er påvirket av narkotiske stoffer, alkohol eller medisiner.
Når du bruker et elektroverktøy vil kun et par sekunders uoppmerksomhet kunne føre til alvorlige personskader.
- Bruk personlig verneutstyr. Ha alltid på deg vernebriller.**

Hvis du bruker verneutstyr slik som støvmasker, sklisliske vernesko, hjelm eller hørselsvern vil dette redusere faren for personskader.

- Forhindre utilsiktet start av elektroverktøyet. Pass på at bryteren på elektroverktøyet er slått av for verktøyet koples til veggkontakten og/eller batteriet, eller før verktøyet løftes eller bæres.**

Hvis du holder fingeren på bryteren når du bærer elektroverktøyet, eller dersom bryteren er slått på når det er koblet til en strømkilde kan det oppstå ulykker.

- Fjern eventuelle justeringsnøkler eller skrunøkler før du slår på elektroverktøyet.**
Dersom en justeringsnøkkel eller skrunøkkel er festet til en roterende del på elektroverktøyet når det startes, kan det føre til personskade.
- Ikke strekk eller len deg for langt. Pass på at du står stødig og har god balanse til enhver tid.**
 Dette vil gi deg bedre kontroll over elektroverktøyet i uventede situasjoner.
- Ha på deg riktig tøy. Bruk ikke løse klær eller smykker. Hold hår, klær og hansker unna bevegelige deler.**
Løse klær, smykker eller langt hår kan vikle seg inn i de bevegelige delene.
- Hvis verktøyet leveres med en støvsamler eller annet oppsamlingsutstyr, må du passe på at disse monteres og brukes på riktig måte.**
Bruk av støvopsamler kan redusere støvrelaterte farer.

4) Bruk og vedlikehold av elektroverktøy

- Ikke overbelast elektroverktøyet. Bruk riktig elektroverktøy til arbeidet som skal utføres.**
Riktig elektroverktøy vil gjøre arbeidet lettere og tryggere i den brukshastigheten det er beregnet til.
- Ikke bruk elektroverktøyet dersom av/på-knappen ikke virker.**
Det er farlig å bruke elektroverktøy som ikke kan kontrolleres ved bruk av av/på-knappen. Verktøyet må da repareres.
- Kople støpselet fra stikkkontakten og/eller batteripakken fra elektroverktøyet før du foretar justeringer, bytter tilbehør eller lagrer elektroverktøyet.**
Slike forebyggende sikkerhetstiltak reduserer risikoen for å starte elektroverktøyet ved et uhell.
- Lagre elektroverktøyet som ikke er i bruk utiilgjengelig for barn og la aldri personer som ikke er kjent med elektroverktøyet eller denne brukerveiledningen bruke elektroverktøyet.**
Elektroverktøy er farlige hvis det brukes av uerfarne personer.
- Vedlikehold elektroverktøyet. Kontroller at ingen bevegelige deler har låst seg, er feiljustert, knekt, eller har andre skader som kan påvirke bruken av elektroverktøyet.**
Hvis elektroverktøyet er skadet må det repareres før det brukes.
Mange ulykker oppstår på grunn av dårlig vedlikehold av elektroverktøyet.
- Hold skjæreverktøy skarpe og rene.**
Riktig vedlikehold av skjæreverktøy med skarpe skjærekanten vil redusere faren for at de låser seg, samtidig som de vil være lettere å kontrollere.
- Bruk elektroverktøyet, ekstrautstyr, bor osv. i samsvar med disse instruksjonene, og ta alltid arbeidsoppgavene og arbeidsforholdene med i betraktning.**
Hvis elektroverktøyet brukes til andre operasjoner enn det er beregnet for kan det oppstå farlige situasjoner.

- 5) **Bruk og vedlikehold av batteridrevet verktøy**
- Batteriet skal kun lades opp med en lader som er angitt av produsenten.**
En lader som passer for én batteripakke kan forårsake brannfare hvis den brukes med andre batteripakker.
 - Bruk bare elektroverktøyet med spesifisert type batteripakke.**
Bruk av andre batteripakker kan føre til brannfare og skader.
 - Når batteripakken ikke er i bruk, hold det unna andre metallgjenstander som binderser, mynter, spiker, skruer eller andre små metallgjenstander som kan skape en forbindelse mellom batteripolene.**
Kortslutning av batteripolene kan forårsake skader eller brann.
 - Under uvorne forhold kan væske sprute ut fra batteriet, unngå kontakt. Hvis kontakt skulle oppstå, skyl med store mengder vann. Hvis væsken kommer i kontakt med øynene, må du også søke medisinsk hjelp.**
Batterivæsken kan forårsake irritasjon eller brannskår.

6) Service

- La kvalifisert servicepersonell som kun bruker originale reservedeler utføre service på elektroverktøyet.**
 Dette vil sikre at sikkerheten på elektroverktøyet opprettholdes.

FORHOLDSREGLER

Hold avstand til barn og svakelige personer.

Når det ikke er i bruk, skal elektroverktøy oppbevares utilgjengelig for barn og svakelige personer.

SIKKERHETSADVARSLER FOR TRÅDLØS DYKKERTPISTOL

- Gå alltid ut fra at verktøyet inneholder kramper.**
Uforsiktig håndtering av dykkertpistolen kan forårsake at festeordninger avfyres og medfører personskaade.
- Pek aldri verktøyet mot deg selv eller andre i nærheten.**
Uventet utløsning vil skyte ut krampen og føre til en skade.
- Ikke aktiver verktøyet med mindre det er plassert fast mot arbeidsstykket.**
Hvis verktøyet ikke er i kontakt med arbeidsstykket, kan krampen skytes tilbake fra målet.
- Koble verktøyet fra strømkilden når kramper setter seg fast i verktøyet.**
Når du fjerner en festeordning som har satt seg fast, kan dykkertpistolen aktiveres ved et uhell hvis den er koblet i.
- Bruk forsiktighet når du fjerner en fastkilt krampe.**
Mekanismen kan være under trykk, og krampen kan bli kraftig skutt ut mens du prøver å fjerne en fastkiling.
- Du må ikke bruke denne dykkertpistolen til å feste elektriske ledninger.**
Den er ikke laget for montering av elektriske kabler, og kan ødelegge isolasjonen på elektriske kabler, noe som kan føre til elektrisk støt eller brannfare.

FLERE SIKKERHETSADVARSLER

- Sikker bruk er riktig bruk.**
 Dette verktøyet er beregnet på å slå spiker i tre og lignende materiale. Bruk det kun til det formålet det er beregnet på.
- Vær forsiktig med gnister og eksplosjoner.**
 Siden det kan fly gnister når man spikrer, er det farlig å bruke dette verktøyet nær lakk, maling, rensbensin, tyner, bensin, gass, lim og lignende brannfarlige stoffer, da de kan antennes og eksplodere. Ikke under noen omstendighet bør dette verktøyet derfor brukes in nærheten av slike brannfarlige materialer.
- Beskytt alltid øynene (vernebriller).**



Når du bruker verktøyet skal du alltid ha på deg øyebeskyttelse og sørge for at alle personer som oppholder seg i nærheten også har på seg øyebeskyttelse.

Fragmenter av spiker som ikke treffer som de skal kan fås i øynene og skade synet. Ha derfor alltid på deg vernebriller når du bruker dette verktøyet. Vernebriller kan kjøpes i enhver jernvarehandel. Bruk enten vernebriller eller en bred verneskjerm over vanlige briller.

Arbeidsgivere må alltid håndheve bruken av øyevernutstyr.

- Beskytt ører og hode.**

Når du driver med spikring bør du ha på deg øreklokker og hjelm. Dessuten skal du, avhengig av forholdene, sørge for at personer i nærheten også har på seg øreklokker og hjelm.

- Hold øye med dem som arbeider i nærheten.**

Det kan være meget farlig hvis spiker som ikke slås skikkelig inn skulle treffe andre mennesker. Derfor må du alltid være oppmerksom på sikkerheten til mennesker som arbeider i nærheten når du bruker dette verktøyet. Du må alltid sørge for at ingen har kroppen, hender eller føtter i nærheten av spikerutgangen.

- Pek aldri spikeråpningen mot deg selv eller andre personer.**



Du må alltid gå ut fra at verktøyet inneholder festeelementer, slik som spiker, ol.

Hvis spikeråpningen peker mot deg selv eller andre personer, kan dette føre til alvorlige personskaader hvis du ved et uhell trykker på avtrekkeren. Når du kobler til og fra batteriet under innsetting av spiker eller lignende handlinger, kontroller at spikerutløpet ikke peker mot noen (inkludert deg selv). Selv når spikerpistolen ikke inneholder spiker, vil det være farlig å fyre av verktøyet hvis det er rettet mot deg selv eller andre. Gjør derfor aldri dette! Spikerpistolen er ikke et leketøy. Vis respekt og bruk verktøyet kun som et arbeidsutstyr.

- Kontroller støtstangen før bruk.**

Sørg for at støtstangen fungerer som den skal. (Støtstangen kan også kalles "sikring".) Bruk aldri dykkertpistolen hvis ikke støtstangen fungerer som den skal, hvis ikke kan dykkertpistolen plutselig og uventet avfyre en festeordning. Ikke fjern eller tukle med støtstangen, ellers kan støtstangen bli i stand.

- Valg av utløsermetode er viktig.**

Les og forstå avsnittet "HVORDAN BRUKE DYKKERTPISTOLEN" på side 172.

- Før du bruker dette produktet må du kontrollere at det fungerer som det skal i samsvar med innholdet i "Kontrollere dykkertpistolen" på side 171.**

- Bruk kun spesifiserte spiker.**

Bruk aldri spiker som ikke er spesifisert og beskrevet i disse instruksene.

11. Vær forsiktig når du kobler til slangen.

For å unngå at verktøyet går av ved et uhell, sørg for følgende når du kobler til slangen og lader spiker.

- Ikke berør avtrekkeren.
- Ikke la avfyringshodet komme i kontakt med en overflate.
- Hold avfyringshodet pekende nedover.
Instruksene ovenfor må strengt overholdes og du må alltid sørge for at ingen kroppsdell, hender eller ben noen gang er foran spikerutgangen.

12. Ikke ha fingeren på avtrekkeren når det ikke er nødvendig.

Ikke ha fingeren på avtrekkeren bortsett fra når du faktisk spikrer. Hvis du bærer dette verktøyet eller gir det til noen mens du har fingeren på avtrekkeren, kan du komme til å fyre av en spiker ved et uhell og forårsake en ulykke.

13. Trykk spikerutgangen bestemt mot materialet som skal spikres.

Når du slår inn spiker skal du trykke spikerutgangen bestemt mot materialet som skal spikres. Hvis utgangen ikke brukes på forsvarlig måte, kan spikrene slå tilbake.

14. Hold hender og føtter bort fra avfyringshodet under bruk.

Det er meget farlig for spiker å treffe hender eller føtter ved et uhell.

15. Vær oppmerksom på verktøyets rekyl.

Ikke ha hodet e.l. nær toppen av verktøyet under bruk. Dette er farlig fordi verktøyet kan slå kraftig tilbake hvis spikeren som slås kommer i kontakt med en spiker som er slått inn tidligere eller en kvist i treverket.

16. Pass deg for dobbel avfiring forårsaket av tilbakeslag.

Hvis støtstangen utilsiktet kommer i kontakt med arbeidsstykket på nytt etter tilbakeslaget, kan en uønsket festeanordning avfyres.

For å unngå uønsket dobbel avfiring,

- Periodisk drift (avfiring med utløser)
 - 1) Still omstillingsanordningen til FULLSTENDIG SEKVENSIELL AKTIVERINGSMEKANISME.
 - 2) Trykk raskt og bestemt på utløseren.
- Kontinuerlig drift (avfiring med støtstangen)
 - 1) Ikke dytt dykkertpistolen hardt mot treverket.
 - 2) Løsne dykkertpistolen fra treverket under tilbakeslaget etter festingen.

17. Vær forsiktig når du spikrer tynne plater eller hjørner.

Når du spikrer tynne plater kan spikrene gå rett i gjennom. Dette kan også skje når du spikrer sammen hjørner på grunn av avdrift på spikrene. I slike tilfeller må du sørge for at det ikke befinner seg noen (og ingens hender eller føtter, osv.) bak den tynne platen eller ved siden av treverket som du skal spikre.

18. Å spikre på begge sider av samme vegg samtidig er farlig.

Det må ikke under noen omstendighet spikres på begge sider av en vegg samtidig. Dette kan være veldig farlig siden spikrene kan gå rett gjennom veggen og forårsake skader.

19. Ikke bruk verktøyet på stilaser og stiger.

Verktøyet må ikke brukes i gitte situasjoner, som for eksempel:

- når skifting fra en spikringsplass til en annen involverer bruk av stilaser, trapper, stiger eller stigeleggende konstruksjoner, f.eks. taklekker,
- ved lukking av bokser eller kasser,
- ved feste av transportsikkerhetssystemer på f.eks. kjøretøyer og vogner.

20. Fjern alle gjenværende festeanordninger og batteriet fra dykkertpistolen når:

- 1) du utfører vedlikehold og inspeksjon;
- 2) du kontrollerer at støtstangen og utløseren fungerer som de skal;
- 3) du fester eller fjerner nesedekselet;
- 4) du fjerner fastkjørte spiker;
- 5) du ikke bruker verktøyet;
- 6) du forlater arbeidsområdet;
- 7) du flytter den til et annet sted; og
- 8) du gir den til en annen person.

Forsøk aldri å fjerne fastkjørte spiker eller reparere dykkertpistolen hvis du ikke har tatt batteriet og alle gjenværende festeanordninger ut av dykkertpistolen. Dykkertpistolen skal aldri være uten tilsyn, da personer som ikke er kjent med dykkertpistolen kan håndtere den og skade seg selv.

21. Ta batteriet ut av dykkertpistolen når:

- 1) du setter i dykkerter;
- 2) du dreier på justeringsskiven.

22. Koble fra batteriet.

Når du setter på og tar av frontkappen, må du koble fra batteriet.

Når du setter den tilhørende frontkappen på fronten av støtstaget, og når du tar den av, må du først sikre at batteriet er fjernet. Det er svært farlig hvis spiker skytes ut ved en feil.

23. Driftsmiljøet for denne maskinen skal være mellom 0°C og 40°C, så sørg for at den kun brukes i dette temperaturområdet. Maskinen kan slutte å fungere under 0°C eller over 40°C.**24. Lad alltid opp batteriet på steder hvor romtemperaturen er mellom 0 – 40°C.**

Hvis batteriet lades opp på steder hvor temperaturen er under 0°C, kan batteriet overlades, som kan være farlig. Batteriet må ikke lades opp på steder hvor romtemperaturen overstiger 40°C.

Den beste romtemperaturen for å lade batteriet er mellom 20 – 25°C.

25. Ikke bruk laderen kontinuerlig.

Når en ladeoperasjon er avsluttet, la ladeapparatet stå avslått i omkring 15 minutter før den neste oppladingen av et batteri tar til.

26. Ikke la fremmedlegemer falle nedi hullet for tilkopling av det oppladbare batteriet.**27. Demonter aldri det oppladbare batteriet og ladeapparatet.****28. Aldri kortslett det oppladbare batteriet.**

Kortsletter en batteriet vil det resultere i stor elektrisk strøm og overopphetning. Det vil føre til forbrenning eller skade av batteriet.

29. Ikke forsøk å brenne et kassert batteri.

Dersom batteriet brenner, kan det være det eksploderer.

30. Bruk av et utladet batteri vil skade ladeapparatet.**31. Bring et batteri som det ikke lenger er mulig å lade tilstrekkelig slikt at det kan gi strøm lenge nok, til forretningen der det ble kjøpt.**

Ikke kast det oppbrukte batteriet.

32. Det må ikke føres gjenstander inn i ladeapparatets ventilasjonshuller.

Dytt ikke metallgjenstander eller brannfarlige materialer inn i ventilasjonsåpningene, da dette kan føre til elektrisk støt eller skade batteriladeren.

33. Du må ALDRI la magneter (eller lignende magnetiske enheter) ligge ved siden av dykkertpistolen da den har en magnetisk sensor innvendig.

Hvis du gjør dette så kan det føre til skade eller fare for personskade som følge av funksjonsfeil.

34. La enheten hvile etter kontinuerlig bruk.

Norsk

35. Elektroverktøyet er utstyrt med en temperaturskyttelsesekrets for å beskytte motoren. Kontinuerlig arbeid kan føre til at temperaturen i enheten stiger og aktiverer temperaturskyttelsesenheten og stopper driften automatisk. Hvis dette skjer, må du la elektroverktøyet kjøles ned før du fortsetter bruk.
36. Dette produktet kan slutte å fungere når noe unormalt registreres. I slike tilfeller må du kontrollere elementene som er listet opp under "FEILSØKING" på side 176.
37. Ikke utsett bryterpanelet for sterke støt eller ødelegg det. Dette kan føre til problemer.
38. Ikke bruk produktet hvis verktøyet eller batteriterminalene (batterifeste) er deformert. Installasjon av et slikt batteri kan føre til kortslutning, som kan føre til røykutslipp eller antenning.
39. Hold verktøyets terminaler (batterifeste) fri for spon og støv.
 - Før bruk må du sørge for at spon og støv ikke har samlet seg i området rundt terminalene.
 - Forsøk å unngå at spon eller støv på verktøyet faller ned på batteriet.
 - Når du avbryter operasjonen eller etter bruk, må du ikke forlate verktøyet i et område der det kan bli utsatt for fallende spon eller støv. Det kan føre til kortslutning som kan føre til røykutslipp eller antenning.

ADVARSEL ANGÅENDE LITHIUM-ION BATTERI

For å øke levetiden er litium-ion batteriet utstyrt med en beskyttelsesfunksjon som stanser utgangseffekten. I tilfellene 1 og 3, beskrevet nedenfor, når du bruker dette produktet, selv om du trykker på knappen, kan motoren stoppe. Dette er ikke problemet, men resultatet av beskyttelsesfunksjonen.

1. Når gjenværende batterieffekt løper ut, stanser motoren. Skjer dette må du lade opp batteriet med det samme.
2. Dersom verktøyet er overbelastet, kan motoren stanse. I dette tilfellet, skal du slippe bryteren på verktøyet og eliminere årsaken til overbelastning. Etter dette, kan du bruke det igjen.
3. Hvis batteriet blir overopphetet når elektroverktøyet blir overbelastet, kan batteristrømmen bli brutt. I dette tilfellet må du stanse bruken av batteriet og la det bli avkjølt. Etter dette, kan du bruke det igjen.

Videre, vennligst ta hensyn til følgende forholdsregler og advarser.

ADVARSEL

For å forhindre lekkasje fra batteriet, varmeutvikling, røykutvikling, eksplosjoner eller antenning, sørg for å følge disse forholdsreglene.

1. Sørg for at spon og støv ikke samler seg på batteriet.
- Sørg for at spon og støv ikke faller på batteriet under arbeidet.
- Sørg for at spon og støv som faller på elektroverktøyet ikke samler seg på batteriet.
- Ikke lagre et ubrukt batteri på et sted der det utsettes for spon eller støv.
- Før du lagrer et batteri, fjern all spon og støv som kan feste seg på batteriet. Ikke lagre det sammen med metalldele (skrue, spiker, og lignende).
2. Ikke stikk batteriet med en skarp gjenstand som en spiker, slå på det med en hammer, trå på, kast eller utsett batteriet for kraftige fysiske støt.
3. Ikke bruk et tydelig ødelagt eller deformert batteri.
4. Ikke bruk batteriet med feilkoplet polaritet.
5. Ikke koble direkte til et elektrisk uttak eller bilens sigaretttenner.
6. Ikke bruk batteriet til et annet formål enn de som er spesifisert.

7. Hvis batteriladingen blir mislykket selv når den angitte ladetiden har gått, må du øyeblikkelig stanse ytterligere lading.
8. Ikke plasser eller utsett batteriet for høye temperaturer eller høyt trykk som i en mikroølgeovn, tørker eller i en beholder under høyt trykk.
9. Holdes unna flammer umiddelbart når ekkel lukt eller lekkasje oppdages.
10. Ikke bruk på steder der sterk statisk elektrisitetsslutning genereres.
11. Hvis det oppstår batterilekkasje, ekkel lukt, varme genereres eller dersom batteriet blir misfarget, deformert eller på noen måte virker unormalt under bruk, gjenopplading eller lagring, må du fjerne det fra elektroverktøyet eller batteriladeren, og stans bruken.
12. Ikke senk batteriet ned i væsker eller la noen væsker flyte inn i batteriet. Ledende væskeinntrengning, som for eksempel vann, kan forårsake skade som medfører brann eller eksplosjon. Oppbevar batteriet på et kjølig, tørt sted, unna brennbare og brannfarlige gjenstander. Omgivelser med etsende gass må unngås.

FORSIKTIG

1. Hvis det lekker væske fra batteriet og denne kommer i kontakt med øynene, ikke gni øynene men vask dem godt med friskt og rent vann, som for eksempel vann fra springen, og ta kontakt med en lege øyeblikkelig. Hvis dette ikke gjøres kan væsken føre til synsproblemer.
2. Hvis bruker får væske fra batteriet på hud eller klær, vask ordentlig med rent vann, for eksempel vann fra springen, øyeblikkelig. Væsken kan forårsake irritasjon på huden.
3. Hvis du finner rust, ekkel lukt, overoppheting, misfarging, deformering, og/eller andre uregelmessigheter når du bruker batteriet for første gang, må du ikke bruke det, men returnere det til din forhandler eller leverandør.

ADVARSEL

Hvis et elektrisk ledende objekt kommer i kontakt med batteripolene til litium-ion batteriet, kan dette resultere i kortslutning og brannfare. Ved lagring av litium-ion batteriet, følg nøye reglene for følgende innhold.

- Ikke plasser elektrisk ledende objekter som spiker eller metalltråder av jern eller kopper i oppbevaringskassen.
- For å unngå at kortslutning inntreffer, legg batteriet i verktøyet eller monter batteridekslet for lagring slik at ventilatoren ikke er synlig.

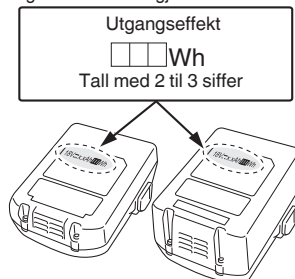
OM TRANSPORT AV LITHIUMIONBATTERIET

Når du transporterer et litiumionbatteri, må du følge følgende forholdsregler.

ADVARSEL

Varsle transportselskapet om at pakken inneholder et litiumionbatter, informer selskapet om utgangseffekten og følg instruksjonene til transportselskapet når du bestiller transport.

- Litiumionbatterier med en effekt større enn 100 Wh ansees som fraktklasse farlige varer og krever spesielle behandlingsprosedyrer.
- For transport utenlands må du følge internasjonalt lovverk og de regler og forskrifter som gjelder i bestemmelseslandet.





NAVN PÅ DELER (Fig. 1 – Fig. 28)








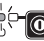



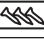









①	Toppdeksel
②	Utløser
③	LED-lys
④	Avfyringshode (munning)
⑤	Støtstang
⑥	Spikermater (A)
⑦	Spikermater (B)
⑧	Magasin
⑨	Krok
⑩	Batteri
⑪	Bryterlåsespak
⑫	Håndtak
⑬	Stoppspak
⑭	Batteriindikatorbryter
⑮	Batteriindikator
⑯	Spikringsbryter
⑰	Strømindikator
⑱	Strømbryter
⑲	Indikatorlampe for spikring
⑳	Spikerremse
㉑	Magasindeksel
㉒	Spor
㉓	Bladfører
㉔	Justeringsskive
㉕	Krokplate
㉖	Nesedeksel
㉗	Låsespak
㉘	Føringsplate

SYMBOLER


ADVARSEL


Følgende symboler brukes for maskinen. Sørg for å forstå betydningen av disse symbolene før maskinen tas i bruk.

	<p>NT 1865DBAL: Trådløs dykkertpistol NT 1865DBSL: Trådløs dykkertpistol NT 1850DBSL: Trådløs dykkertpistol</p>
	For å minske faren for skade, må brukeren lese instruksjonsboken.

	Kun for EU-land Kasser aldri elektroverktøy sammen med husholdningsavfallet! I overholdelse av EU-direktiv 2012/19/EU om kassering av elektrisk og elektronisk utstyr og dets implementeringsrekkefølge i samsvar med nasjonale lover, må elektroverktøy som har nådd slutten av sin levetid samles inn separat og returneres til et miljøvennlig kompatibelt gjenvinningsanlegg.
	Likestrøm
	Slå PÅ
	Slå AV
	Koble fra batteriet
	Strømbryter
	Strømbryter AV
	Strømbryter PÅ Strømindikator: Lyser grønt
	Spikringsbryter
	FULLSTENDIG SEKVENSIELL AKTIVERINGSMEKANISME
	FULLSTENDIG SEKVENSIELL AKTIVERINGSMEKANISME-modus Indikatorlampe for spikring: Lyser blått
	KONTAKTAKTIVERINGSMEKANISME
	KONTAKTAKTIVERINGSMEKANISME-modus Indikatorlampe for spikring: Blinker blått
	Utløser låst
	Utløser låst opp
	Batteriindikatorbryter
	Det er nok strøm på batteriet Batteriindikator: 2 LED-lys (røde) lyser
	Batteriets gjenværende kapasitet er omtrent halvparten. Batteriindikator: 1 LED-lys (rødt) lyser
	Gjenværende batterikapasitet er nesten ingenting. Lad opp batteriet igjen så snart som mulig. Batteriindikator: 1 LED-lys (rødt) blinker
	Ta kontakt med HiKOKI for inspeksjon. Batteriindikator: 2 LED-lys blinker oransje, etter 10 sekunder, strømbryter slås automatisk av.
	Grunn side

Norsk

	Dyp side
	Advarsel

	Utilrådelig betjeningsmåte
--	----------------------------

SPESIFIKASJONER

1. Trådløs dykkertpistol

Modell	NT1865DBAL		NT1865DBSL
Motor	Børsteløs DC		Børsteløs DC
Passende spiker	15 Ga (Vinkel: 34°)		16 Ga
Passende spikerlengde	32 mm til 65 mm		25 mm til 65 mm
Innsetningskapasitet for spiker [spiker]	100 (1 remse)		100 (2 remser)
Avfyringsmodus	Fullstendig sekvensiell/kontakt (valgbar)		Fullstendig sekvensiell/kontakt (valgbar)
Seriehastighet	[spiker/sekund]	3 (periodisk)	
Batteri	Modell	BSL1830C	BSL1850
	Type	Li-ion-batteri	
	Spenning	18 V likestrøm	
Vekt*	3,5 – 4,1 kg		3,4 – 4,0 kg
Ytre mål Høyde x lengde x bredde	344 mm x 300 mm x 104 mm		315 mm x 298 mm x 104 mm 310 mm x 104 mm

* i henhold til EPTA-prosedyren 01/2014

Avhengig av vedlagt batteri. Den tyngste vekten måles med BSL36B18 (selges separat).

2. Trådløs dykkertpistol

Modell	NT1850DBSL		
Motor	Børsteløs DC		
Passende spiker	18 Ga		
Passende spikerlengde	16 mm til 50 mm		
Innsetningskapasitet for spiker [spiker]	100 (1 remse)		
Avfyringsmodus	Fullstendig sekvensiell/kontakt (valgbar)		
Seriehastighet	[spiker/sekund]	3 (periodisk)	
Batteri	Modell	BSL1830C	BSL1850
	Type	Li-ion-batteri	
	Spenning	18 V likestrøm	
Vekt*	3,3 – 4,0 kg		
Ytre mål Høyde x lengde x bredde	323 mm x 298 mm x 104 mm	323 mm x 310 mm x 104 mm	

* i henhold til EPTA-prosedyren 01/2014

Avhengig av vedlagt batteri. Den tyngste vekten måles med BSL36B18 (selges separat).

3. Batterilader

Modell	UC18YFSL	UC18YML2
Ladespenning	14,4 – 18 V likestrøm	
Vekt	0,5 kg	0,7 kg

MERK

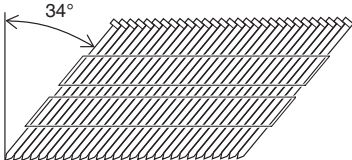
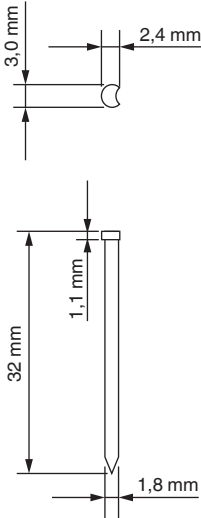

På grunn av HiKOKIs kontinuerlige forskningsog utviklingsprogram kan spesifikasjonene i dette dokumentet endres uten forvarsel.

VALG AV SPIKER

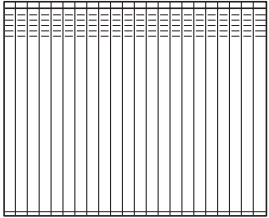
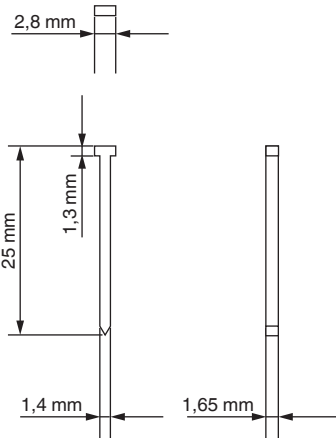

Kun spiker vist i tabellen nedenfor kan brukes med denne dykkertpistolen.

Spikermål

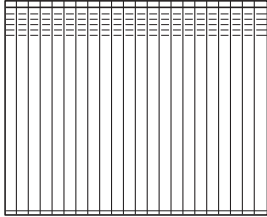
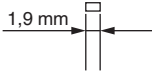
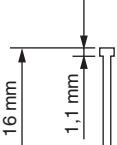
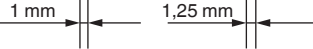

<NT1865DBAL>

	Min.	Maks.
<p>15 gauge dykkertspiker (Vinkel: 34°)</p> 		

<NT1865DBSL>

	Min.	Maks.
<p>16 gauge dykkertspiker (rett)</p> 		

<NT1850DBSL>

	Min.	Maks.
<p>18 gauge dykkertspiker (rett)</p> 	 <p>1,9 mm</p>  <p>16 mm 1,1 mm</p>  <p>1 mm 1,25 mm</p>	 <p>50 mm</p>
Ikke inkludert spiker som måler 35 mm i lengde		

STANDARD TILBEHØR

I tillegg til hovedenheten (1 enhet) inneholder pakken tilbehør som er listet opp på side 378. Standard tilbehør kan endres uten varsel.

ANVENDELSE

<NT1865DBAL, NT1865DBSL>

- Bruk av dykkertpistol som en etterbehandlingsprosess for områder rundt dører, vinduer, i tillegg til listverk.
- Feste bunnen i skuffer. Lage forskjellige typer skrin og skap.

<NT1850DBSL>

- Sammensetting av skap og bilderammer, møbeldekor.
- Hjemmedekor og listverk både der du er og på farten.

LADING

Før elektroverktøyet tas i bruk, lad batteriet som forklart nedenfor.

1. Kople til strømforsyningen. (Fig. 3)

Når batteriet lades fra en strømadapter

- Sett laderens støpsel i stikkontakten. Når du kobler kontakten til batteriladeren til en stikkontakt, vil pilotlampen blinke rødt (med intervall på 1 sekund).

FORSIKTIG

Ikke bruk den elektriske ledningen hvis den er skadet. Få det reparert umiddelbart.

Når batteriet lades fra en 12 V likestrøms strømkilde i en bil (UC18YML2)

- Fest batteriladeren i bilen. Bruk den medfølgende stroppen til batteriladeren til å feste batteriladeren på plass slik at den ikke kan flytte seg utilsikket. (Se Fig. 28)

FORSIKTIG

Ikke plasser batteriladeren eller batteriet under førersetet. Fest batteriladeren slik at den ikke kan bevege seg utilsikket, da dette kan føre til en ulykke.








Fig. 28







- Sett tilkopplingsledningen i bilens sigaretttenner. Dersom kontakten er løs og faller ut av sigaretttenneren, må den repareres. Da kontakten kan være feil, anbefales du å ta kontakt med din lokale bilforhandler. Forsatt bruk av kontakten kan resultere i en ulykke grunnet overoppheting.
- 2. **Sett batteriet i laderen.** Sett batteriet inn i laderen til linjen er synlig, som vist i Fig. 3. Linjer vises ikke på UC18YFSL. Sørg for at batteriet settes godt på plass.
- 3. **Lading** Når et batteri settes i laderen, vil oppladingen starte og pilotlyset lyse rødt kontinuerlig. Når batteriet er helt oppladet, vil pilotlampen blinke rødt. (Med intervall på 1 sekund) (Se tabell 1)
- (1) Pilotlysets indikasjoner blir som vist i Tabell 1, i samsvar med ladeapparatets eller det oppladbare batteriets tilstand.

Tabell 1

<UC18YFSL>

Pilotlampens indikasjoner				
Pilotlyser (rød)	Før lading	Blinker	Lyser i 0,5 sekunder. Lyser ikke i 0,5 sekunder. 	/
	Under lading	Lyser	Lyser kontinuerlig 	
	Lading fullført	Blinker	Lyser i 0,5 sekunder. Lyser ikke i 0,5 sekunder. 	
	Overopphetet beredskap	Blinker	Lyser i 1 sekund. Lyser ikke i 0,5 sekunder. 	Batteriet overopphetet. Kan ikke lade. (Ladning vil starte når batteriet er avkjølt)
	Lading ikke mulig	Blafrer	Lyser i 0,1 sekunder. Lyser ikke i 0,1 sekunder. 	Feilfunksjon i batteriet eller laderen

<UC18YML2>

Pilotlampens indikasjoner				
Pilotlyser lyser eller blinker rødt.	Før lading	Blinker	Lyser i 0,5 sekunder. Lyser ikke i 0,5 sekunder. 	/
	Under lading	Lyser	Lyser kontinuerlig 	
	Lading fullført	Blinker	Lyser i 0,5 sekunder. Lyser ikke i 0,5 sekunder. 	
	Lading ikke mulig	Blafrer	Lyser i 0,1 sekunder. Lyser ikke i 0,1 sekunder. 	Feilfunksjon i batteriet eller laderen
Pilotlyser lyser eller blinker grønt.	Overopphetet beredskap	Lyser	Lyser kontinuerlig 	Batteriet overopphetet. Kan ikke lade. (Ladning vil starte når batteriet er avkjølt)
	Lading med strømkilde i bil umulig	Blinker	Lyser i 0,5 sekunder. Lyser ikke i 0,5 sekunder. 	12 V likestrømsforsyning er feil

MERK: Ved beredskap når batteriet avkjøles, vil UC18YML2 avkjøle batteriet med en kjølevifte.

(Kjøleviften fungerer imidlertid ikke når batteriet lades med 12 V likestrøms strømkilde i en bil.)

(2) Når det gjelder det oppladbare batteriets temperatur

Temperaturene for oppladbare batterier er vist i **Tabell 2**, og batterier som er blitt varme, må kjøles ned før de lades på nytt.

Tabell 2 Opplading av varme batterier

Oppladbare batterier	Temperaturer Hvor opplading er mulig
BSL1830C, BSL1850	0°C – 50°C

(3) Vedrørende ladetid

Ladetiden avhenger av kombinasjonen mellom ladeapparat og batterier, og blir som vist i **Tabell 3**.

Tabell 3 Ladetid (Ved 20°C)

(Strømforsyning med vekselstrøm / 12V sigarettener med likestrøm (i bil))

Batteri \ Ladeapparat	UC18YFSL	UC18YML2
BSL1830C	Ca. 45 minutter	Ca. 45 / 120 minutter
BSL1850	Ca. 75 minutter	Ca. 75 / 200 minutter

MERK

Ladetiden kan variere avhengig av temperatur og strømkildens spenning.

<UC18YML2>

Spesielt ved hjelp av en likestrøms 12 V strømkilde i bil kan lading ta lengre tid ved høye temperaturer.

Norsk

FORSIKTIG

Når batteriladeren har blitt brukt kontinuerlig, vil den bli varm, og kan være årsaken til feil. Når ladingen er ferdig, må du vente 15 minutter før du starter neste lading.

4. Kople laderen fra stikkkontakten eller sigarettenerruttaket.

5. Hold laderen skikkelig og trekk ut batteriet.

MERK

Pass på å trekke ut batteriet fra laderen etter bruk og oppbevar det.

Når det gjelder elektrisk utladning i nye batterier, etc.

Ettersom den kjemiske substansen i nye batterier eller batterier som ikke har vært i bruk en stund ikke er aktivert, vil den elektriske utladningen være lav når batteriene brukes de første par gangene. Dette er et midlertidig fenomen, og den normaltiden som er nødvendig for opplading vil gjenopprettes ved å lade batteriene opp 2–3 ganger.

Slik får du batteriene til å vare lenger

- (1) Lad batteriene opp før de er helt utgått. Når du merker at e. ekten i verktøyet begynner å bli dårlig, stanser du verktøyet og lader batteriet opp. Hvis du fortsetter å bruke verktøyet til batteriet går tomt, kan batteriet ta skade og levetiden reduseres.
- (2) Unngå opplading ved høy temperatur. Et oppladbart batteri blir temmelig varmt etter bruk. Hvis et varmt batteri lades opp like etter at det har vært i bruk, vil den kjemiske substansen i batteriet forringes og batteriets levetid forkortes. Vent en stund før batteriet lades opp.

FORSIKTIG

- Hvis batteriet lades mens det er varmt fordi det har vært utsatt for direkte sollys i lengre tid, eller fordi batteriet nettopp har vært i bruk, vil laderens pilotlampe lyse i 1 sekund, ikke lyse i 0,5 sekunder (av i 0,5 sekunder) (UC18YFSL) eller lyse grønt. (UC18YML2). Hvis dette er tilfelle, må batteriet avkjøles før ladingen begynner.
- Når pilotlyset blafrer rødt (med intervall på 0,2 sekunder), må du kontrollere om det finnes fremmedlegemer i laderens batterikontakt og eventuelt fjerne disse. Hvis det ikke finnes noen fremmedlegemer, er det mulig at batteriet eller laderen er defekt. Ta den med til et godkjent servicesenter.
- Den innbygde computeren tar ca. 3 sekunder for å bekrefte at batteriet som lades opp med UC18YFSL / UC18YML2 er tatt ut og du må derfor vente i minst 3 sekunder før det settes i igjen for videre lading. Hvis batteriet settes i innen det er gått 3 sekunder, kan det skje at ladingen blir ufullstendig.
- Kontroller spenningen på strømkilden i bilen når pilotlampen blinker kontinuerlig i grønt (hvert sekund). (UC18YML2)
Hvis spenningen er 12 V eller lavere, indikerer det at bilbatteriet er svekket og kan ikke lade.
- Blinker ikke pilotlampen i rødt (hvert sekund) selv om ladeledningen eller sigarettennerens tilkopplingsstøpsel er koplet til strømkilden, angir det at beskyttelseskretsen i laderen kan være aktivert.
Fjern ledningen eller støpslet fra strømkilden og koble den til igjen etter cirka 30 sekunder. Dersom dette ikke får pilotlampe til å blinke rødt (hvert sekund), vennligst ta laderen til et autorisert HiKOKI-verksted.

FØR BRUK

Handling	Figur	Side
Ta ut og sette inn batteriet	2	379
Lading	3	380
Valg av tilbehør	—	385

1. Slik bruker du betjeningspanelet

(1) Strømbryter PÅ (Se fig. 4)

Med "strømbryter AV," trykk og hold inne strømbryteren i mer enn 1 sekund og deretter lyser strømindikatoren grønt.

MERK

Ikke trykk inn støtstangen og/eller trykk på utløseren når strømbryteren er i ferd med å slå seg PÅ.

Hvis du gjør dette, vil det forhindre strømbryteren fra å slå seg PÅ.

[Automatisk av]

Når strømmen er slått på, men dykkertpistolen ikke brukes på 30 minutter, vil dykkertpistolen automatisk slå seg av. For å slå den på igjen, trykk på strømbryteren.

ADVARSEL

Du må aldri forlate dykkertpistolen med strømmen på. Dette kan føre til en ulykke.

(2) Strømbryter AV (Se fig. 4)

Med "strømbryter PÅ," trykk og hold inne strømbryteren i mer enn 1 sekund og deretter slår strømindikatoren seg av.

Med "strømbryter PÅ" er funksjonene nedenfor aktive.

(3) Velg spikringsmodus

(Fullstendig sekvensiell aktivering/kontaktaktivering)
Still alltid verktøyet til fullstendig sekvensiell aktiveringsmodus til å begynne med etter at strømbryteren slås PÅ. (Indikatorlampen for spikring lyser blått.) (Se fig. 5)

For å bytte spikringsmodus, trykk på spikringsbryteren én gang. Hver gang du trykker vil modusen endres mellom "Fullstendig sekvensiell" og "Kontakt". (Se fig. 6)
Lyser (blått):

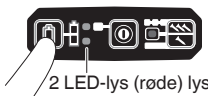
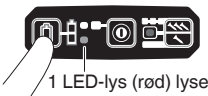
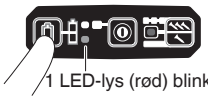
FULLSTENDIG SEKVENSIELL
AKTIVERINGSMEKANISME,

Blinker (blått):

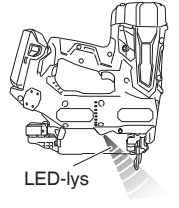

KONTAKTAKTIVERINGSMEKANISME

(4) Kontroller gjenværende batterinivå

Når du trykker på batteriindikatorbryteren, viser batteriindikatoren gjenværende batterinivå med LED-lampens status som vist nedenfor.

Status for indikator	
 2 LED-lys (røde) lyser	Det er nok strøm på batteriet.
 1 LED-lys (rød) lyser	Batteriets gjenværende kapasitet er omtrent halvparten.
 1 LED-lys (rød) blinker	Gjenværende batterikapasitet er nesten ingenting. Lad opp batteriet igjen så snart som mulig.

- (5) Andre funksjoner
Ved en driftsfeil, lyser LED-lampen som vist nedenfor.

Status for indikator	
 <p>LED-lys</p> <p>LED-lys blinker i intervaller.</p> <ul style="list-style-type: none"> • I tilfeller der verktøyet blir for varmt, blinker det i 1 sekunds intervaller. • I tilfeller der verktøyet blir for kaldt, blinker det i 0,5 sekunds intervaller. <p>Etter 10 sekunder, slår LED-lyset og strømbryteren automatisk av.</p>	<p>Maskinen er for kald (under -5°C eller for varm). La dykkertipstolen kjøles ned eller varmes opp tilstrekkelig i passende forfatning.</p>
 <p>2 LED-lys blinker oransje, etter 10 sekunder, strømbryter slås automatisk av.</p>	<p>Ta kontakt med HiKOKI for inspeksjon.</p>


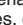

- (6) Hvordan bruke LED-lyset (Se fig. 7)
Mens strømbryteren er slått på, vil LED-lyset automatisk lyse opp toppdelen på verktøyet.

FORSIKTIG

- Du må ikke utsette øyet ditt for direkte lys ved å se inn i lyset.
 - Hvis øyet ditt er kontinuerlig utsatt for lyset, vil du skade øyet ditt.
 - Tørk vekk skitt og smuss festet til linsen på LED-lyset med en myk klut, mens du passer på å ikke skrape opp linsen.
- Riper på linsen til LED-lyset kan føre til redusert lysstyrke.

2. Utløserlåsemekanisme (se fig. 8)

ADVARSEL

- Sørg for at utløseren er låst når du ikke skal avfyre spiker. Denne dykkertipstolen har en låsemekanisme for å forhindre at spiker avfyres.
- Still bryterlåsespaken i -stilling for å låse utløseren. Skyv bryterlåsespaken til -stilling når dykkertipstolen skal brukes, og til -stilling når den ikke er i bruk.

3. Kontrollere dykkertipstolen

ADVARSEL

- Sørg for at utløseren er låst når du ikke skal avfyre spiker. (Se fig. 8)
 - Bruk aldri dykkertipstolen hvis ikke støtstangen fungerer som den skal.
- NT1865DBAL og NT1865DBSL benytter en forebyggende mekanisme for uladet drift. NT1865DBAL og NT1865DBSL går over i en tilstand hvor skyvespaken ikke kan skyves opp. Dette skjer når magasinet ikke har innsatte spiker eller når det gjenværende antall spiker blir mindre enn 6 eller 9.

FORSIKTIG

Vær forsiktig slik at du ikke dytter tuppen på støtstangen mot treverk.

Før du faktisk begynner spikringsarbeidet, kontrollerer dykkertipstolen ved hjelp av sjekklisten nedenfor. Utfør testene i følgende rekkefølge.

Hvis noen form for unormal drift oppstår, stopp bruk av dykkertipstolen og kontakt et HiKOKI-autorisert servicesenter umiddelbart.

- (1) FJERN ALLE SPIKER OG BATTERIET FRA DYKKERTIPSTOLEN.

- ALLE SKRUE R MÅ STRAMMES.
- STØTSTANGEN OG UTLØSEREN MÅ BEVEGES JEVT NÅR DU DRAR SPIKERMATER (B) BAKOVER. (NT1850DBSL: Unødvendig å dra spikermateren bakover)

- (2) Installere batteriet.
Ikke bruk støtstangen eller utløseren mens du installerer batteriet. (Se fig. 2)

- (3) Slå på strømbryteren. (Se fig. 1)
Slå på strømbryteren ved å trykke på og holde strømbryteren inne i mer enn 1 sekund.
Forsikre deg om at strømindikatoren lyser grønt og at indikatorlampen for spikring lyser blått. (FULLSTENDIG SEKVENSIELL AKTIVERINGSMEKANISME)

MERK

Ikke trykk inn støtstangen og/eller trykk på utløseren når strømbryteren er i ferd med å slå seg PÅ.
Hvis du gjør dette, vil det forhindre strømbryteren fra å slå seg PÅ.

[Automatisk av]

Når strømmen er slått på, men dykkertipstolen ikke brukes på 30 minutter, vil dykkertipstolen automatisk slå seg av. For å slå den på igjen, trykk på strømbryteren.

ADVARSEL

Du må aldri forlate dykkertipstolen med strømmen på. Dette kan føre til en ulykke.

Indikatorlampe for spikring

Lyser (blått):

FULLSTENDIG SEKVENSIELL
AKTIVERINGSMEKANISME,

Blinker (blått):

KONTAKTAKTIVERINGSMEKANISME

Kontroller at batteriindikatoren ikke blinker.
Hvis batteriindikatoren blinker rødt, har ikke batteriet nok strøm og må lades opp.

- (4) Fjern fingeren fra utløseren og trykk støtstangen mot arbeidsstykket mens du drar spikermater (B) bakover.

- DYKKERTIPSTOLEN MÅ IKKE BETJENES.

- (5) Fjern støtstangen fra arbeidsstykket.
Deretter, pek dykkertipstolen nedover mens du drar spikermater (B) bakover, trykker på utløseren og vent deretter i denne stillingen i 5 sekunder eller mer.

- DYKKERTIPSTOLEN MÅ IKKE BETJENES.

- (6) ① Uten å berøre utløseren, trykk støtstangen mot arbeidsstykket mens du drar spikermater (B) bakover.
Deretter, trykk inn utløseren.

- DYKKERTIPSTOLEN MÅ BETJENES.

- ② Hold utløseren igjen og trykk støtstangen mot arbeidsstykket en gang til.

- DYKKERTIPSTOLEN MÅ IKKE BETJENES.

- ③ Fjern fingeren fra utløseren.
Deretter brukes ① igjen.

- DYKKERTIPSTOLEN MÅ BETJENES.

Norsk

- (7) Fjern støtstangen fra arbeidsstykket, trykk på utløseren. Trykk støtstangen mot arbeidsstykket innen 2 sekunder.

DYKKERTPISTOLEN MÅ IKKE BETJENES.

- (8) Still indikatorlampen for spikring til blinkende PÅ-modus. (KONTAKTAKTIVERINGSMEKANISME) Trykk på spikringsbryteren én gang, sørg for at indikatorlampen blinker blått.

Fjern støtstangen fra arbeidsstykket, trykk på utløseren. Trykk støtstangen mot arbeidsstykket innen 2 sekunder.

DYKKERTPISTOLEN MÅ BETJENES.

- (9) Hvis ingen driftsavvik oppdages, kan du legge spiker i dykkertpistolen.

Avfyre spiker inn i arbeidsstykket av samme type som de som skal faktisk skal brukes.

DYKKERTPISTOLEN MÅ BETJENES PÅ RIKTIG MÅTE.

4. Kontroller funksjonen til støtstangen

ADVARSEL

Sørg for at utløseren er låst når du ikke skal avfyre spiker.

Sikre alltid at avtrekkeren er låst og batteriet fjernet fra verktøyet når du kontrollerer funksjonen til støtstangen.

Kontroller at støtstangen glir lett under bruk.

Rengjør glideflatene dersom den ikke blir lett.

5. Legg spiker i verktøyet

ADVARSEL

Når du setter spiker i dykkertpistolen,

1) ta batteriet ut av dykkertpistolen;

2) ikke trykk på utløseren;

3) ikke trykk inn støtstangen; og

4) la dykkertpistolen peke nedover.

<NT1865DBAL, NT1865DBSL>

2-Handling spikermating!

- (1) Sett spikerremsen inn på baksiden av magasinet. (Se fig. 9)

- (2) Skyv spikerremsen forover i magasinet. (Se fig. 10)

- (3) Skyv på spikermater (A) for å koble spikermater (B) til spikerremsen. (Se fig. 11)

MERK

- Dytt spikermater (A) og spikermater (B) rolig mot spikeren.

Hvis spikermater (A) og spikermater (B) utløses fra baksiden av magasinet og skumpes bort i spikeren, kan forbindelsesklebematerialet på spikeren bli skadet.

- Bruk en spikerremse med mer enn 10 spiker.

- Bruk en ubrudd spikerremse med spiker der alle har samme lengde.

Dykkertpistolen er nå klar til bruk.

Ta ut spikrene:

- ① Trekk dykkertmater (B) bakover. (Se fig. 12)

- ② Flytt dykkertmater (B) rolig forover mens du dytter på dykkertmater (A).

- ③ Trekk spiker ut fra baksiden av magasinet. (Se fig. 13)

<NT1850DBSL>

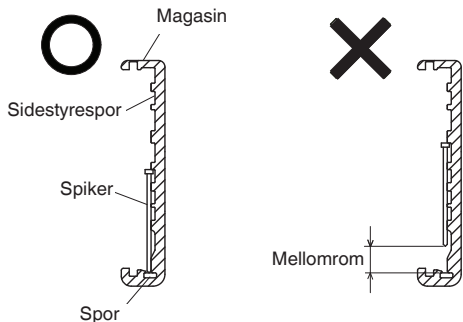
- (1) Trykk lett på stoppspaken og trekk magasindekselet forsiktig ut. (Se fig. 14)

- (2) Sett spikerremsen inn i magasinet og sørg for at spissene på spikrene berører sporet. (Se fig. 15)

MERK

Spikrene som vises på side 168 kan settes inn i sidestyresporet på magasinet uten justeringer.

Sørg for at spissene på spikrene alltid berører sporet.



- (3) Skyv spikerremsen inn i bladføreren. (Se fig. 16)

- (4) Kontroller at spikerremsen er satt i sidestyresporene og i sporet riktig, og dytt deretter magasindekselet forover for å feste det.

HVORDAN BRUKE DYKKERTPISTOLEN

ADVARSEL

- Du må ALDRI rette verktøyet mot deg selv eller andre personer i arbeidsområdet.

- Hold fingrene UNNA utløseren når du ikke skal avfyre spiker for å unngå utilsikket avfiring.

- Ikke bruk den elektriske ledningen hvis den er skadet. Få den reparert umiddelbart.

- Valg av utløsermetode er viktig. Vennligst les og forstå "1. Spikringsprosedyrer" nedenfor.

- Før du begynner arbeidet, kontroller omstillingsanordningen for spikring.

- Denne dykkertpistolen fra HIKOKI har en omstillingsanordning for spikring.

- Før du starter, må du sørge for at omstillingsanordningen er riktig innstilt.

- Hvis omstillingsanordningen ikke er riktig innstilt, vil ikke dykkertpistolen fungere på riktig måte.

- Du må aldri plassere ansiktet ditt, hender eller føtter i nærheten av avfiringshodet når du bruker verktøyet.

- Du må ikke avfyre spiker oppå andre spiker eller med dykkertpistolen i en for bratt vinkel; spikrene kan rikosjettere og skade noen.

- Du må ikke avfyre spiker inn i tynne planker eller i nærheten av hjørner og kanter på arbeidsstykket. Spiker kan gå gjennom eller unna arbeidsstykket og treffe noen.

- Du må aldri avfyre spiker fra begge sider av en vegg samtidig. Spiker kan avfyres inn i og gjennom veggen og treffe en person på andre siden.

- Du må aldri bruke en dykkertpistol som er defekt eller som ikke fungerer som den skal.

- Du må aldri bruke dykkertpistolen som en hammer.

- Fjern alle gjenværende festeordninger og batteriet fra dykkertpistolen når:

1) du utfører vedlikehold og inspeksjon;

2) du kontrollerer at støtstangen og utløseren fungerer som de skal;

3) du fester eller fjerner nesedekselet;

4) du fjerner fastkjørte spiker;

5) du ikke bruker verktøyet;

6) du forlater arbeidsområdet;

7) du flytter den til et annet sted; og

8) du gir den til en annen person.

- Ta batteriet ut av dykkertpistolen når:

1) du setter i dykker;

2) du dreier på justeringsskiven.

Denne dykkertpistolen fra HiKOKI er utstyrt med en omstillingsanordning for spikring.

Bruk FULLSTENDIG SEKVENSIELL AKTIVERINGSMEKANISME eller KONTAKTAKTIVERINGSMEKANISME i samsvar med arbeidet som skal utføres.

Forklaring på de forskjellige spikringsfunksjonene

- FULLSTENDIG SEKVENSIELL AKTIVERINGSMEKANISME: Trykk først støtstangen mot treverket; deretter, trykk på utløseren for å avfyre en spiker.

Følg samme prosedyre for å fortsette å avfyre spiker.

Når du har spikret en gang, er det ikke mulig å spikre igjen før du fjerner fingeren fra avtrekkeren og løfter verktøyet helt fra treoverflaten.

- KONTAKTAKTIVERINGSMEKANISME: KONTAKTAKTIVERING kan ha to ulike sekvenser, avhengig av bruk.

For avfiring av flere spiker:

1. Trykk avtrekkeren inn.
2. Trykk støtstangen mot arbeidsstykket for å avfyre spikeren.
3. Hvis utløseren holdes inne, vil en spiker skytes ut hver gang støtstangen trykkes mot treverket.

For å avfyre én enkelt spiker:

1. Trykk støtstangen mot treverket.
2. Trykk på utløseren for å avfyre spikeren.
3. Ta fingeren vekk fra utløseren og flytt dykkertpistolen vekk fra treverket.

[Sperremekanisme for avfiring uten spiker]

NT1865DBAL og NT1865DBSL benytter en forebyggende mekanisme for uladet drift.

NT1865DBAL og NT1865DBSL går over i en tilstand hvor skyvespaken ikke kan skyves opp. Dette skjer når magasinet ikke har spiker satt i eller når det gjenværende antallet spiker blir mindre enn 6 eller 9.

FORSIKTIG

Vær forsiktig slik at du ikke dytter tuppen av støtstangen mot treverk når støtstangen ikke kan dyttes opp.

1. Spikringsprosedyrer

Denne dykkertpistolen er utstyrt med en støtstang og fungerer ikke med mindre støtstangen er trykket inn. Det finnes to metoder for å avfyre spiker med denne dykkertpistolen.

Disse er:

1. Periodisk drift (avfiring med utløser);
2. Kontinuerlig drift (avfiring med støtstangen);

- (1) Periodisk drift (avfiring med utløser)
Bruk innstillingen FULLSTENDIG SEKVENSIELL AKTIVERINGSMEKANISME. (Se fig. 17)

ADVARSEL

- For periodisk drift, still spikringsbryteren til FULLSTENDIG SEKVENSIELL AKTIVERINGSMEKANISME (indikatorlampen for spikring lyser blått.) (dvs. stilt til ENKEL AKTIVERINGSMEKANISME.)
- For å unngå dobbel avfiring eller avfiring ved et uhell på grunn av tilbakeslag.
 - 1) Still på FULLSTENDIG SEKVENSIELL AKTIVERINGSMEKANISME.
 - 2) Trykk raskt og bestemt på utløseren.
- ① Still spikringsbryteren til FULLSTENDIG SEKVENSIELL AKTIVERINGSMEKANISME (indikatorlampen for spikring lyser blått.) (for å stille den til FULLSTENDIG SEKVENSIELL AKTIVERINGSMEKANISME). (Still omstillingsanordningen helt til modusen der indikatorlampen for spikring lyser blått som vist i fig. 17. Ellers vil den stilles til KONTAKTAKTIVERINGSMEKANISME.)
- ② Plasser spikerutløpet på arbeidsstykket med fingeren vekk fra utløseren.
- ③ Trykk støtstangen inn til den er trykt helt inn.
- ④ Trykk på utløseren for å avfyre en spiker.

- ⑤ Ta fingeren vekk fra utløseren og løft verktøyet helt vekk fra overflaten på treverket.

For å fortsette spikringen et annet sted, flytt dykkertpistolen langs treverket mens du gjentar trinn ② - ⑤ som nødvendig.

MERK

Handling ③ og ④ skal gjøres med 2 sekunders mellomrom eller mindre. Hvis mer enn 2 sekunder forløper etter ③, vil ikke dykkertpistolen fungere som den skal. Hvis dette skjer, prøv igjen fra ③.

- (2) Kontinuerlig drift (avfiring med støtstangen)
Bruk KONTAKTAKTIVERINGSMEKANISMEN (Se fig. 18)

ADVARSEL

For å unngå dobbel avfiring eller avfiring ved et uhell på grunn av tilbakeslag.

- 1) Ikke dytt dykkertpistolen hardt mot treverket.
- 2) Løse dykkertpistolen fra treverket under tilbakeslaget etter spikring.

- ① Still spikringsbryteren til KONTAKTAKTIVERINGSMEKANISME (indikatorlampen for spikring blinker blått.) (for å stille til KONTAKTAKTIVERINGSMEKANISME). (Still omstillingsanordningen helt til indikatorlampen for spikring blinker blått som vist i fig. 18. Hvis ikke, vil den ikke fungere som den skal.)

- ② Trykk på utløseren med dykkertpistolen unna arbeidsstykket.

- ③ Trykk støtstangen mot arbeidsstykket for å avfyre en spiker.

- ④ Flytt dykkertpistolen langs arbeidsstykket med en hoppende bevegelse.

Hver gang du trykker ned støtstangen, vil en spiker avfyres.

Så snart det ønskede antallet spiker har blitt avfyrt, fjern fingeren fra utløseren.

MERK

Handling ② og ③ skal gjøres med 2 sekunders mellomrom eller mindre. Hvis mer enn 2 sekunder forløper etter ②, vil ikke dykkertpistolen fungere som den skal. Hvis dette skjer, prøv igjen fra ②.

ADVARSEL

- Hold fingeren din unna utløseren bortsett fra ved spikring, da alvorlig personskade kan forekomme hvis støtstangen kommer i kontakt med deg eller andre i arbeidsområdet ved et uhell.
- Hold hendene og kroppen vekk fra området der spikrene avfyres fra. Denne dykkertpistolen fra HiKOKI kan hoppe på grunn av tilbakeslaget fra avfiringen av en spiker, og en uønsket ekstra spiker kan avfyres og muligens forårsake personskade.

MERK

- Hvis alle advarsler og instruksjoner følges, er sikker bruk mulig med begge to systemer: FULLSTENDIG SEKVENSIELL AKTIVERINGSMEKANISME, KONTAKTAKTIVERINGSMEKANISME.

- Hånder alltid spiker og pakke forsiktig. Hvis spiker slippes, kan sammenfestingsbåndet gå i stykker, noe som vil forårsake feil på matingen og fastkjøring.

- Etter spikring:

- 1) ta batteriet ut av dykkertpistolen;
- 2) fjern alle spiker fra dykkertpistolen;

2. Justere spikerdybden

For å sikre at hver spiker trenger ned til samme dybde, sørg for at dykkertpistolen alltid holdes ordentlig mot arbeidsstykket.

Hvis spiker avfyres for dypt eller grunt i arbeidsstykket, juster spikringen i følgende rekkefølge.

- ① Ta batteriet ut av dykkertpistolen.
- ② Hvis spikrene trenger for dypt ned i treverket, drei justeringsskiven til grunn side. (Se fig. 19)
Justeringer gjøres i trinn på en halv runde.
- ③ Hvis spikrene trenger for grunt ned i treverket, drei justeringsskiven til dyp side. (Se fig. 20)

Norsk

- ③ Stopp dreingen på justeringsskiven når en passende stilling er nådd for en spikringstest.
- ④ Koble batteriet til dykkertpistolen.
DU MÅ ALLTID BRUKE VERNEBRILLER.
Utfør en spikringstest.
- ⑤ Ta batteriet ut av dykkertpistolen.
- ⑥ Velg en passende stilling for justeringsskiven.

3. Bruke kroken (se fig. 21, 22, 23)

ADVARSEL

Når du bruker kroken, må du slå strømbryteren av (grønt lys "AV"). Vær oppmerksom slik at hovedutstyret ikke faller av.

Hvis verktøyet faller er det fare for et uhell.

Kroken kan monteres på venstre eller høyre side. (unntatt NT1865DBAL)

- ① Ta ut batteriet, og fjern deretter alle gjenværende spiker fra magasinet.
- ② Hold ordentlig tak i hovedenheten og fjern skruen ved hjelp av en skrutrekker. (Se fig. 21)
- ③ Fjern kroken og krokplaten. (Se fig. 22)
- ④ Monter kroken på den andre siden og fest den ordentlig med skruen. (Se fig. 23)

MERK

Kroken kan brukes som en henger.

4. Bruke nesedekselet (se fig. 24, 25)

ADVARSEL

Når du fester eller fjerner nesedekselet, sørg for å ta fingeren vekk fra utløseren og fjerne alle gjenværende festeordninger og batteriet fra dykkertpistolen.

Hvis du ønsker å beskytte overflaten til arbeidsstykket mot riper eller merker som lages av støtstangen, fest nesedekseltilbehøret til støtstangen.

- ① Fjern alle gjenværende festeordninger og batteriet fra dykkertpistolen.
- ② Sett nesedekselet på tåen til støtstangen.
- ③ Nesedekselet er markert for å vise stedet der spikeren skytes ut, noe som gjør innretningen av dekslet lettere.
- ④ Når du ikke bruker nesedekselet, fest oppbevaringsrommet som befinner seg på motsatt side av magasinet.

MERK

Nesedekselet kan redusere spikerdybden på grunn av dets tykkelse. Omjustering av spikerdybden er nødvendig.

5. Fjerner fastkjørte spiker

Hvis spiker sitter fast i avfyringshodet, fjern dem og juster spikringen i følgende rekkefølge.

FORSIKTIG

Ta batteriet ut av dykkertpistolen.

- ① Ta batteriet ut av dykkertpistolen.
- ② Fjern alle spiker.
- ③ Slipp låsespaken og åpne føringsplaten. (Se fig. 26)
- ④ Fjern den fastkjørte spikeren med en skrutrekker med flatt spor. (Se fig. 27)

FORSIKTIG

- Du må ALDRI slå på drivebladet.
- Du må ALDRI rette verktøyet mot deg selv eller en annen person for å unngå fare for personskade ved klikk. Selv om batteriet har blitt fjernet fra dykkertpistolen, er det fortsatt energi i form av trykkluft igjen i verktøyet.
- ⑤ Lukk føringsplaten og fest den.

MERK

Ved hyppige fastkjøringer, kontakt et HiKOKI- autorisert servicesenter.

VEDLIKEHOLD OG INSPEKSJON

FORSIKTIG

Sørg for at du fjerner alle gjenværende festeordninger og batteriet fra dykkertpistolen før vedlikehold og inspeksjon.

1. Inspisere magasinet

- ① Ta batteriet ut av dykkertpistolen.
- ② Rengjør magasinet. Fjern støv og spon som kan ha samlet seg i magasinet.

FORSIKTIG

Kontroller at spikermateren glir lett ved å dra i den med en finger.

Hvis den ikke glir lett, kan spiker avfyres i en ujevn vinkel og skade noen.

2. Inspisere monteringskruene

Gjennomfør regelmessig kontroll av alle monteringskruer og sikre at de er skikkelig strammet. Hvis noen av skruene er løse, stram dem umiddelbart. Hvis du unnlater å gjøre dette, kan det oppstå alvorlig fare.

3. Vedlikehold av motoren

Motorrotasjonen er selve "hjertet" til elektroverktøyet. Vær forsiktig slik at rotasjonen ikke blir skadet og/eller våt av olje eller vann.

4. Inspeksjon av terminaler (verktøy og batteri)

Kontroller at spon og støv ikke har samlet seg på terminalene.

Sjekk jevnlig før, under og etter operasjonen.

FORSIKTIG

Fjern eventuell spon eller støv som kan ha samlet seg på terminalene.

Det kan oppstå feil hvis ikke dette gjøres.

5. Rengjøring på utsiden

Hvis det kommer flekker på elektroverktøyet, tørker du av det med en myk, tørr klut eller en klut fuktet med såpevann. Bruk ikke kloroppløsninger, bensin eller malingstynnere da disse kan løse opp platen.

6. Lagring

Oppbevar elektroverktøyet på et sted der temperaturen er mindre enn 40°C og utenfor barns rekkevidde.

MERK

Lagring av litium-ion batterier.

Sørg for at litium-ion batteriene er fulladet før de skal lagres.

Oppbevaring av batteriene i lengre tid (3 måneder eller mer) med lav ladetilstand kan føre til redusert ytelse, vesentlig reduksjon av batteriets brukstid eller at batteriene ikke holder på ladingen.

Imidlertid kan en vesentlig reduksjon av batteriets brukstid gjenvinnes ved gjentatt lading og bruk av batteriene to til fem ganger.

Hvis batterienes brukstid er veldig kort til tross for gjentatt lading og bruk, må du anse batteriene som defekte, og kjøpe nye batterier.

FORSIKTIG

Sikkerhetsregler og normer som gjelder for det enkelte land, må overholdes ved drift og vedlikehold av elektroverktøyet.

Viktig melding om batteriene til HiKOKI batteridrevne elektroverktøy

Bruk alltid et av våre spesialproduserte batterier. Vi kan ikke garantere sikkerheten og ytelsen til våre elektroverktøy hvis de brukes sammen med andre batterier enn de som er angitt av oss, eller hvis batteriet er demontert og modifisert (slik som demontering og bytte av celler eller andre indre deler).

GARANTI

Vi garanterer HiKOKI elektroverktøy i samsvar med lovfestet/landsspesifikke forskrifter. Denne garantien dekker ikke feil eller skader på grunn av misbruk, vanstell, eller normal slitasje. I tilfelle av klage, vennligst send elektroverktøyet, ikke demontert, med GARANTISERTIFIKATET som finnes på slutten av denne brukerveiledningen, til et autorisert HiKOKI-verksted.

Støyinformasjon

Støyverdier i samsvar med EN 60745:

Typisk A-vektet lydeffektnivå ved enkelttilfelle

$L_{WA, 1s, d} = 92 \text{ dB}$

Typisk A-vektet lydtrykksnivå ved enkelttilfelle på

arbeidsstasjon

$L_{pA, 1s, d} = 81 \text{ dB}$

Usikkerhet KpA: 3 dB

Disse verdiene er verktøyrelaterte karakteristiske verdier og representerer ikke lydutviklingen på brukerpunktet. Støyutviklingen på brukerpunktet vil for eksempel avhenge av arbeidsmiljøet, arbeidsmaterialet, hvordan dette er støttet, antall spikerslag, osv.

Avhengig av forholdene på arbeidsplassen og formen på arbeidsmaterialet, kan det hende at det er nødvendig å utføre individuelle lydempingstiltak, som for eksempel å plassere arbeidsmaterialet på støydempende støtter, forhindre vibrasjon i arbeidsmaterialet med klemmer og deksler, osv.

I spesielle tilfeller vil det være nødvendig å bruke hørselvernustyr.

Vibrasjonsinformasjon

Verdiene av de typiske vibrasjonsegenskapene i henhold til

EN 60745: 2,6 m/s²

Usikkerhet K = 1,5 m/s²

Denne verdien er en verktøyrelatert karakteristisk verdi og representerer ikke påvirkningen på hånd-arm-systemet når verktøyet er i bruk. Påvirkningen på hånd-arm-systemet ved bruk av verktøyet vil for eksempel avhenge av hvor hardt det holdes, kontaktrykket, arbeidsretningen, reguleringen av kraftforsyningen, arbeidsmaterialet og hva dette ligger på.

Vedlikeholdsskjema

HANDLING	HVORFOR	HVORDAN
Rengjør magasinet og matemekanismen.	Unngå fastkjøring av spiker.	Blås ren daglig.
Gjøre at støtstangen fortsetter å fungere som den skal.	Fremme operatørens sikkerhet og effektiv bruk av dykkertpistol.	Blås ren daglig.

Den totale vibrasjonsverdien som er opplyst, er målt i henhold til en standard testmetode og kan brukes til å sammenligne et verktøy med et annet.

Den kan også brukes som en foreløpig estimering av eksponering.

ADVARSEL

- Vibrasjonsemisjonen under bruk av elektroverktøyet kan variere fra den opplyste totalverdien avhengig av hvordan maskinen brukes.
- Identifiser sikkerhetstiltak basert på hvor utsatt brukeren vil være under de gjeldende bruksforholdene, for å beskytte brukeren (vurdert i forhold til bruken, som hvor mange ganger maskinen er slått på eller av og tomgangskjøring i tillegg til aktiv bruk).

MERK

På grunn av HiKOKIs kontinuerlige forsknings- og utviklingsprogram kan spesifikasjonene i dette dokumentet endres uten forvarsel.

FEILSØKING

Bruk inspeksjonene i tabellen nedenfor hvis verktøyet ikke fungerer normalt. Hvis dette ikke løser problemet, ta kontakt med din forhandler eller det HiKOKI-autoriserte servicesenteret.

PROBLEM	KONTROLLMETODE	KORRIGERING
Strømbryteren slår seg ikke på. Slås på en gang, men slås av automatisk.	Lavt batteri.	Lade batteriet.
	Innvendig elektronikk er skadet.	Ta kontakt med HiKOKI for utskifting.
	Støtstangen og/eller utløseren er i PÅ-stilling?	Hold støtstangen og utløseren i AV-stilling.
Dykkertpistolen fungerer ikke (Strømbryter PÅ).	Ingen drift i løpet av 30 minutter? (Automatisk avslåingsfunksjon)	Trykk og hold strømknappen inne i mer enn 1 sekund for å slå den "PÅ"
	Dykkertpistolen er ikke trykket godt nok mot arbeidsstykket.	Hold godt fast i dykkertpistolen og trykk den helt mot arbeidsstykket.
	Utløseren trykkes ikke langt nok inn.	Trykk avtrekkeren ordentlig inn.
	Mer enn 2 sekunder forløper fra støtstangen slås PÅ til utløseren slås PÅ (eller utløseren slås PÅ til støtstangen slås PÅ).	Sørg for at mindre enn 2 sekunder forløper mellom at støtstangen slås PÅ og utløseren slås PÅ (eller mellom utløseren PÅ og støtstangen PÅ).
	Forebyggende mekanisme aktivert. (Ingen spiker eller for få festeordninger igjen) (unntatt NT1850DBSL)	Sett spikrene inn i magasinet på nytt.
	Bryterlåsespak (utløserlåsefunksjon) er i "PÅ"-stilling.	Still bryterlåsespaken til "AV"-stilling. (Se fig. 8)
	Maskinen er for kald (under -5°C) eller for varm. (LED-lyset blinker i regelmessige intervaller, og strømbryteren slår seg av etter 10 sekunder.) (Se side 171)	La dykkertpistolen kjøles ned eller varmes opp tilstrekkelig i passende forfatning.
Dykkertpistolen kan betjenes, men ingen spiker avfyres.	Innvendig elektronikk er skadet.	Ta kontakt med HiKOKI for utskifting.
	Magasinet er skittent.	Blås og tørk magasinet rent.
	Se etter fastkjørte spiker.	Fjerne fastkjørte spiker (se fig. 26, 27).
	Driveblad slitt eller skadet?	Ta kontakt med HiKOKI for utskifting.
	Båndfjæren svekket eller skadet?	Erstatt båndfjæren.
	Spikermater skadet?	Erstatt spikermateren.
Svak driv. Går sakte gjennom en serie.	Kontroller at du bruker riktige spiker.	Bruk kun anbefalte spiker.
	Kontroller posisjonen til justeringsskiven for spikerdybdejustering.	Juster på nytt i samsvar med fig. 19, 20.
	Driveblad slitt?	Ta kontakt med HiKOKI for utskifting.
	Trykket til trykkluften er lavt.	Ta kontakt med HiKOKI for utskifting.
Trenger for dypt ned treverket.	Innvendig elektronikk er skadet.	Ta kontakt med HiKOKI for utskifting.
	Kontroller posisjonen til justeringsskiven for spikerdybdejustering.	Juster på nytt i samsvar med fig. 19, 20.
Hopper over spiker. Periodisk mating.	Kontroller at du bruker riktige spiker.	Bruk kun anbefalte spiker.
	Spikermater skadet?	Erstatt spikermateren.
	Båndfjæren svekket eller skadet?	Erstatt båndfjæren.
	Driveblad slitt eller skadet?	Ta kontakt med HiKOKI for utskifting.
Spiker fastkjøres. Avfyrt spiker er bøyd.	Kontroller at du bruker riktige spiker.	Bruk kun anbefalte spiker.
	Driveblad slitt eller skadet?	Ta kontakt med HiKOKI for utskifting.

YLEISET SÄHKÖTYÖKALUN TURVALLISUUTTA KOSKEVAT VAROITUKSET

⚠ VAROITUS

Lue kaikki turvallisuutta koskevat varoitukset ja kaikki ohjeet.

Jos varoituksia ja ohjeita ei noudateta, on olemassa sähköiskun, tulipalon ja/tai vakavan henkilövahingon vaara.

Säästä kaikki varoitukset ja ohjeet tulevaa käyttöä varten.

Varoituksissa mainittu "sähkötyökalu"-sana merkitsee verkkovirtakäyttöistä (johdollista) sähkötyökalua tai akkukäyttöistä (johdotonta) sähkötyökalua.

1) Työskentelyalueen turvallisuus

- Pidä työskentelyalue siistinä ja hyvin valaistuna.** Onnettomuuksia sattuu herkemmin epäsiistissä tai pimeässä ympäristössä.
- Älä käytä sähkötyökaluja räjähdysvaarallisissa paikoissa, kuten paikoissa, joissa on herkästi syttyviä nesteitä, kaasuja tai pölyä.** Sähkötyökaluista lähtevät kipinät voivat sytyttää pölyn tai höyryä.
- Pidä lapset ja sivulliset pois lähetyviltä, kun käytät sähkötyökalua.** Keskittymisen puute voi aiheuttaa laitteen hallinnan menetyksen.

2) Sähköturvallisuus

- Sähkötyökalun pistoke on yhdistettävä oikeanlaiseen pistorasiaan.** Älä muunna pistoketta mitenkään. Älä käytä sovittipistokkeita yhdessä maadoitettujen sähkötyökalujen kanssa. Muuntelemattomien pistokkeiden ja oikeanlaisten pistorasioiden käyttäminen vähentää sähköiskun vaaraa.
- Vältä koskettamasta maadoitettuihin pintoihin, kuten putkiin, lämpöpattereihin, liesiin ja jääkaappeihin.** Sähköiskun vaara on suurempi, jos kehosi on maadoitettu.
- Älä altista sähkötyökaluja sateelle tai kosteudelle.** Sähköiskun vaara lisääntyy, jos sähkötyökaluun pääsee vettä.
- Älä käytä johtoa väärin. Älä kanna tai vedä sähkötyökalua johdon varassa tai irrota pistoketta vetämällä johdosta.** Pidä johto erillään kuumuudesta, öljystä, terävistä kulmista tai liikkuvista osista. Sähköjohdon vahingoittuminen tai sokeutumisen lisää sähköiskun vaaraa.
- Jos käytät sähkötyökalua ulkona, käytä ulkokäyttöön sopivaa jatkojohtoa.** Ulkokäyttöön sopivan sähköjohdon käyttäminen vähentää sähköiskun vaaraa.
- Jos sähkötyökalun käyttö kosteassa paikassa on välttämätöntä, käytä vikavirtalaitteella (RCD) suojattua virtalähdettä.** RCD:n käyttö vähentää sähköiskun vaaraa.

3) Henkilökohtainen turvallisuus

- Keskity työhön, ole huolellinen ja käytä sähkötyökalua harkiten.** Älä käytä sähkötyökalua väsyneenä tai alkoholin, lääkkeiden tai huumeiden vaikutuksen alaisena. Keskittymisen herpaantuminen pieneksikin hetkeksi voi aiheuttaa vakavan henkilövahingon.

- Käytä henkilökohtaisia suojavarusteita. Käytä aina suojalaseja.** Suojavarusteiden, kuten hengityssuojaimen, liukumattomien turvakengien, kypärän ja kuulosuojaimien, käyttö tarvittaessa vähentää henkilövahinkojen vaaraa.
 - Estä koneen tahaton käynnistyminen.** Varmista, että virtakytkin on pois päältä ennen virtalähteeseen ja/tai akkuun yhdistämistä sekä ennen työkalun nostamista tai kantamista. Sähkötyökalujen kantaminen, kun sormi on virtakytkimellä, tai virran kytkeminen sähkötyökaluihin, joiden virtakytkin on päällä, lisää onnettomuusriskiä.
 - Poista säätöön tarvittavat avaimet sähkötyökalusta ennen sen käynnistämistä.** Sähkötyökalun pyörittävään osaan jätetty väännin tai avain voi aiheuttaa henkilövahingon.
 - Älä kurkottele. Seiso aina vakaasti tasapainossa.** Tällöin sähkötyökalua on helpompi hallita odottamattomissa tilanteissa.
 - Käytä sopivia vaatteita. Älä käytä liian löysiä vaatteita tai koruja. Pidä hiukset, vaatteet ja käsineet poissa liikkuvista osista.** Löysät vaatteet, korut ja pitkät hiukset voivat tarttua liikkuviin osiin.
 - Jos laitteeseen voi yhdistää pölynsuodatus- ja keräyssäiläitteen, varmista, että ne yhdistetään ja että niitä käytetään oikein.** Pölynkeräyksen käyttö voi vähentää pölyyn liittyviä vaaratilanteita.
- 4) Sähkötyökalujen käyttäminen ja niiden hoitaminen
- Älä pakota sähkötyökalua. Käytä tarkoitukseen soveltuva sähkötyökalua.** Oikea sähkötyökalu selviytyy tehtävästä paremmin ja turvallisemmin toimiessaan oikealla teholla.
 - Älä käytä sähkötyökalua, jos se ei käynnisty tai sammu virtakytkimestä.** Sähkötyökalut, joita ei voi hallita virtakytkimen avulla, ovat vaarallisia, ja ne on korjattava.
 - Irrota pistoke virtalähteestä ja/tai akku sähkötyökalusta ennen säätöjen tekemistä, osien vaihtamista tai sähkötyökalujen varastoimista.** Nämä ennakoivat turvatoimet vähentävät sähkötyökalun tahattoman käynnistymisen vaaraa.
 - Säilytä käyttämättömät sähkötyökalut lasten ulottumattomissa äläkä anna sellaisten henkilöiden käyttää sähkötyökaluja, jotka eivät ole perehtyneet niihin tai näihin ohjeisiin.** Sähkötyökalut ovat vaarallisia kouluttamattomien henkilöiden käsissä.
 - Huolla sähkötyökalut. Tarkista liikkuvien osien kiinnitykset ja kohdistukset, osien eheys ja muut sähkötyökalujen toimintaan vaikuttavat tekijät.** Jos sähkötyökalu on vahingoittunut, korjauta se ennen käyttämistä. Puutteellisesti huolletut sähkötyökalut ovat aiheuttaneet useita onnettomuuksia.
 - Pidä leikkuutyökalut terävinä ja puhtaina.** Oikein huolletut leikkuutyökalut, joissa on terävät leikkuupinnat, tarttuvat harvemmin kiinni, ja niiden hallinta on helpompaa.
 - Käytä sähkötyökalua, varusteita ja työkalun teriä jne. näiden ohjeiden mukaisesti ja ota huomioon työskentelyolosuhteet ja tehtävä työ.** Jos sähkötyökalua käytetään toimintoihin, joihin sitä ei ole tarkoitettu, voi syntyä vaaratilanteita.

- 5) Akkukäyttöisen työkalun käyttö ja huolto
- a) **Lataa vain valmistajan määrittelemällä laturilla.**
Tietäytyypiselle akulle sopiva laturi voi aiheuttaa tulipalovaaran, jos sitä käytetään toisen akun kanssa.
- b) **Käytä sähkötyökaluja vain erityisesti niille tarkoitettujen akkujen kanssa.**
Minikä tahansa muiden akkujen käyttö voi synnyttää loukkaantumis- ja tulipalovaaran.
- c) **Kun akku ei ole käytössä, pidä se poissa muiden metalliesineiden, kuten paperinielinten, kolikoiden, avainten, naulojen, ruuvien, tai muiden sellaisten pienten metalliesineiden läheisyydestä, jotka voivat kytkä akun navat toisiinsa.**
Akkunapojen yhdistäminen oikosulkuun voi aiheuttaa palovammoja tai tulipaloa.
- d) **Jos akkua käytetään väärin, akusta voi vuotaa nestettä; vältä nesteen koskettamista. Jos kosketat nestettä vahingossa, huuhtele vedellä. Jos neste koskettaa silmiä, hae lisäksi lääkärin apua.**
Akusta vuotanut neste voi aiheuttaa ärtymistä tai palovammoja.
- 6) **Huolto**
- a) **Anna sähkötyökalu huollettavaksi valtuutetulle henkilölle, joka käyttää alkuperäisiä osia vastaavia varaosia.**
Tämä pitää sähkötyökalun turvallisena.

TURVATOIMET

Pidä lapset ja mielentilaltaan epävakaaat henkilöt poissa laitteen lähetyviltä.
Kun työkalua ei käytetä, se on säilytettävä poissa lasten ja mielentilaltaan epävakaiden henkilöiden ulottuvilta.

JOHDOTTOMAN DYKKERT- JA/ TAI VIIMEISTELYNLAULAIMEN TURVALLISUUSVAROITUKSET

- On aina oletettava, että työkalussa on kiinnittimiä.**
Huolimaton käsittely voi johtaa kiinnikkeiden tahattomaan laukeamiseen ja henkilövahinkoihin.
- Älä osoita työkalulla itseäsi tai ketään lähistöllä olevaa.**
Odottamaton laukaisu käynnistää kiinnittimen kiinnityksen aiheuttaen loukkaantumisen.
- Älä käynnistä työkalua, ellei sitä pidetä lujasti työstökappaletta vasten.**
Jos työkalu ei kosketa työstökappaletta, kiinnitin saattaa suuntautua pois kohteesta.
- Irrota työkalu virtalähteestä, kun kiinnitin on juuttunut työkaluun.**
Pistorasiaan kytketty naulain voi juuttuneen kiinnikkeen irrottamisen yhteydessä laueta vahingossa.
- Käytä varovaisuutta, kun irrotat juuttunutta kiinnintä.**
Mekanismi saattaa joutua puristuksiin, ja kiinnitin saatetaan laukaista väkisin, kun yrität vapauttaa juuttunutta kiinnintä.
- Naulainta ei saa käyttää sähköjohtojen naujoittamiseen.**
Sitä ei ole suunniteltu sähköjohtojen asennukseen, ja se saattaa vahingoittaa sähköjohtojen eristystä aiheuttaen täten sähköiskun tai tulipalovaaran.

LISÄÄ TURVALLISUUTTA KOSKEVIA VAROITUKSIA

- Oikea käyttö takaa turvallisuuden.**
Tämä työkalu on suunniteltu naulojen kiinnittämiseen puhuun tai samanlaisen materiaaliin. Käytä työkalua vain sille suunnitellulla tavalla.
- Varo palamaan syttymistä ja räjähdystä.**
Naulauksen aikana saattaa syntyä kipinöitä, joten on vaarallista käyttää työkalua lakan, maalin, bensiinin, tinnerin, polttoaineen, kaasun, liiman tai muiden helposti syttyvien tai räjähtävien aineiden läheisyydessä. Tätä työkalua ei siis missään olosuhteissa saa käyttää tällaisten aineiden läheisyydessä.
- Käytä aina silmäsuojaa (suojalaseja).**
 Kun käytät työkalua, käytä aina silmäsuojaa ja varmista, että lähellä olevat henkilöt käyttävät sitä myös.
Epäonnistuneesti isketyistä nauloista saattaa lentää siruja, jotka silmään osuessaan voivat aiheuttaa näkövammoja.
Suojalaseja saa tavallisesta rautakaupasta. Käytä aina suojalaseja tätä työkalua käyttäessäsi. Käytä joko suojalaseja tai suojavisieriä tavallisten silmälasien päällä. Työnantajan olisi ehdottomasti säädettävä silmäsuojan käyttö pakolliseksi.
- Suojaa korvasi ja pääsi.**
Käytä nauloja kiinnittäessäsi korva- ja pääsuojaa. Tilanteesta riippuen on varmistettava, että myös ympärillä olevat henkilöt käyttävät niitä.
- Ota huomioon lähistöllä työskentelevät.**
On erittäin vaarallista, jos virheellisesti kiinnitetty naulat sinkoilevat ja osuvat lähistöllä oleviin. Ota siis huomioon lähistöllä työskentelevien turvallisuus, kun käytät tätä työkalua. Varmista, että naulan poistoaukon läheisyydessä ole ketään.
- Älä koskaan osoita naulan ulostuloaukkoa ketään kohti.**



Käsittele työkalua aina niin kuin siinä olisi ladattuna kiinnikkeitä.

- Jos naulan ulostuloaukko osoittaa jotakuta kohti ja työkalu laukeaa vahingossa, seurauksena saattaa olla vakavia vammoja. Akun kytkemisen tai irrottamisen, naulojen lisäämisen tai vastaavien toimenpiteiden aikana on varmistettava, että naula-aukko ei osoita henkilöitä (mukaan lukien itseäsi) kohti. Vaikka työkalussa ei olisi nauloja, on vaarallista laukaista se naulan ulostuloaukon osoittaessa jotakuta kohti. Älä siis koskaan tee näin. Työkalu ei ole leikkikalu! Käytä työkalua aina asiallisesti.
- Tarkista painovipu ennen käyttöä.**
Varmista, että painovipu toimii oikein. (Painovivusta voi käyttää myös nimitystä varmistin.) Naulainta ei saa käyttää, jos painovipu ei toimi oikein. Muussa tapauksessa kiinnike voi laueta tahattomasti. Painovipuun ei saa tehdä muutoksia eikä sitä saa irrottaa. Muussa tapauksessa se voi vikaantua.
 - Laukaisutavan valintaan on kiinnitettävä huomiota.**
Lue kohta NAULAIMEN KÄYTTÄMINEN sivulta 188.
 - Ennen laitteen käyttämistä on varmistettava, että se toimii asianmukaisesti sivun 187 naulaimen testaaminen -kohdan ohjeiden mukaisesti.**
 - Käytä aina vain teknisissä tiedoissa mainittuja naujoja.**
Älä koskaan käytä muita kuin teknisissä tiedoissa ja näissä käyttöohjeissa mainittuja naujoja.
 - Ole varovainen, kun liität letkun.**
Kun liität letkun ja lataat nauloja, varmista seuraavat seikat, jotta työkalu ei käynnisty vahingossa.
○ Älä kosketa laukaista.

- Älä anna laukaisupään koskettaa mitään pintaa.
 - Pidä laukaisupää suunnattuna alas.
- Noudata ohjeita tarkkaan ja varmista, että naulojen poistoaukon edessä ei ole ketään.

12. Älä pidä sormeasi laukaisimella.

Pane sormesi laukaisimelle vain silloin, kun aiot kiinnittää nauloja. Jos kannat työkalua tai annat sen jollekulle sormesi ollessa laukaisimella, saatat vahingossa käynnistää naulauksen ja aiheuttaa onnettomuuden.

13. Paina naula-aukkoa lujasti naulattavaan materiaaliin.

Kun naulaat, paina naula-aukkoa lujasti naulattavaan materiaaliin. Jos naula-aukkoa ei pidetä oikein, naulat eivät kiinnity kunnolla.

14. Pidä jalat ja kädet pois laukaisupäästä.



On erittäin vaarallista, jos naula osuu käteen tai jalkaan.

15. Varo työkalun takaisinpotkuja.

Älä vie päätäsi tms. vartalon osaa työkalun päähän lähelle sen käytön aikana. Tämä on vaarallista, sillä työkalu saattaa sinkoilla voimakkaasti, jos kiinnitettävä naula osuu naulauksen aikana toiseen naulaan tai muuhun kovaan kohtaan.

16. Varo rekyiliin aiheuttamaa kaksinkertaista laukaisua.

Laitte laukaisee naulan, jos painovipu pääsee rekyiliin vaikutuksesta tahattomasti koskettamaan työkappaletta uudelleen.

Vältä tämä ei-toivottu kaksinkertainen laukaus

- jaksoittaiskäyttö (laukaisimen toimintatila)
 - 1) Aseta vaihdin asentoon PERÄKKÄIS-/YKSITTÄISLAUKAISU.
 - 2) Vedä laukaisinta nopeasti ja lujasti.
- jatkuva käyttö (painovivun toimintatila)
 - 1) Naulainta ei saa painaa puuta vasten liian voimakkaasti.
 - 2) Vedä naulain irti puusta, sillä se iskee takaisin kiinnikkeen laukaisemisen jälkeen.

17. Ole varovainen poratessasi ohutta levyä tai puumateriaalin nurkkia.

Kun naulataan ohutta levyä, naulat saattavat mennä läpi. Näin voi käydä myös naulattaessa puulevyä nurkkia, jos naulat menevät vinoon. Varmista tällaisissa tapauksissa, että ohuen levyn takana tai naulattavan puulevyn vieressä ei ole ketään (eikä kenenkään käsiä tai jalkoja jne.).

18. Yhtäaikainen naulaus saman seinän kummaltakin puolelta on erittäin vaarallista.

Seinän kummaltakin puolelta ei missään tapauksessa saa naulata samanaikaisesti. Se on erittäin vaarallista, koska naula saattaa tulla läpi ja aiheuttaa onnettomuuden.

19. Älä käytä työkalua rakennustelineillä ja portailla.

Työkalua ei saa käyttää esim. seuraavissa tapauksissa:

- kun porauspaikan muuttaminen paikasta toiseen vaatii tikapuiden, portaiden, telineiden tms. käyttöä esim. katolla työskennellessä.
- laatuikkujen sulkemiseen
- kuljetuksen turvajärjestelmien kiinnittämiseen esim. ajoneuvoihin.

20. Poista naulaimesta kaikki jäljellä olevat kiinnikkeet ja irrota akku seuraavissa tapauksissa:

- 1) huolto- ja tarkastustoimenpiteiden yhteydessä
- 2) painovivun ja laukaisimen asianmukaisen toiminnan tarkistuksen yhteydessä
- 3) karkisuojuksen kiinnittämisen tai irrottamisen yhteydessä
- 4) tukoksen selvittämisen yhteydessä
- 5) kun laitetta ei käytetä

- 6) poistuttaessa työskentelyalueelta
- 7) siirrettäessä laitetta paikasta toiseen ja
- 8) ojennettaessa se toiselle henkilölle.

Tukosta ei saa yrittää selvittää eikä naulainta korjata ennen kuin akku on irrotettu ja naulaimessa jäljellä olevat kiinnikkeet on poistettu.

Naulainta ei saa jättää ilman valvontaa. Muussa tapauksessa ihmiset, jotka eivät tunne sen käyttöä voivat sitä käsitellessään vahingoittaa itseään.

21. Akku on irrotettava naulaimesta seuraavissa tapauksissa:

- 1) lisättäessä nauloja
- 2) säädintä kierrettäessä.

22. Irrota akku.

Kiinnittäessäsi tai irrottaessasi karkisuojusta irrota akku. Kun kiinnität varusteisiin kuuluvaa karkisuojusta painovivun kärkeen ja kun irrotat sitä, varmista, että irrotat akun etukäteen. On erittäin vaarallista, jos naula laukaistaan vahingossa.

23. Tämän työkalun käyttöympäristön lämpötilan on oltava välillä 0 – 40°C. Varmista aina, että työkalua käytetään vain näiden lämpötilarajojen sisällä. Työkalu ei välttämättä toimi alle 0 tai yli 40°C:n lämpötilassa.

24. Lataa akku aina lämpötilassa 0 – 40°C.

Jos lämpötila on alle 0°C, akku yliilautuu, mikä on vaarallista. Akkua ei voi ladata yli 40°C:n lämpötilassa. Paras latauslämpötila on 20 – 25°C.

25. Älä käytä laturia jatkuvasti.

Suoritetuasi latauksen odota noin 15 minuuttia ennen seuraavaa latausta.

26. Huolehdi, ettei mitään roskia tai likaa pääse pariston kytkentäaukkoon.

27. Älä koskaan irrota mitään osia paristosta tai laturista.

28. Älä aiheuta oikosulkua ladattavaan paristoon.

Oikosulku aiheuttaa voimakkaan sähkövirtauksen ja ylikuumentumisen, joka vaurioittaa pariston.

29. Älä koskaan heitä paristoa tuleen.

Jos paristo syttyy palamaan, se saattaa räjähtää.

30. Kuluneen pariston käyttö vahingoittaa laturia.

31. Kun pariston käyttöaika latauksen jälkeen käy liian lyhyeksi käytännölliseen työskentelyyn, palauta se takaisin liikkeeseen, josta sen hankit.

Älä heitä kulunutta paristoa menemään.

32. Älä kiinnitä laturin tuuletusrakoihin mitään.

Jos laturin tuuletusaukkoihin työnnetään metalliesineitä tai helposti syttyvää materiaalia, seurauksena on sähköiskun vaara tai laturivaurioita.

33. Naulain on pidettävä ETÄÄLLÄ magneeteista (tai magneettisista laitteista), sillä naulaimen sisällä on magneettinen anturi.

Muussa tapauksessa laitteen toiminta voi häiriintyä, jolloin on olemassa loukkaantumisen vaara.

34. Laitteen lepuuttaminen pitkään jatkuneen työn jälkeen.

35. Sähkötyökalu on varustettu lämpötilasuojapiiriillä moottorin suojaamiseksi. Jatkuva käyttö saattaa aiheuttaa yksikön lämpötilan nousun aktivoiden lämpötilasuojapiirin ja pysäyttäen yksikön toiminnan automaattisesti. Jos näin käy, anna sähkötyökalun jäähtyä ennen käytön jatkamista.

36. Laitte voi vikaantuaan lakata toimimasta. Näissä tilanteissa katso kohta VIANMÄÄRITYS sivulla 192.

37. Älä kohdistaa voimakkaita iskuja kytkinpaneeliin tai riko sitä. Se voi aiheuttaa ongelmia.

38. Älä käytä laitetta, jos työkalu tai akku liittimet (akun kiinnike) ovat vahingoittuneet.

Muussa tapauksessa akun asentamisen seurauksena voi olla oikosulku, joka voi aiheuttaa savun muodostumista tai syttymisen.

Suomi

39. Pidä työkalun liittimet (akun kiinnike) puhtaina.

- Varmista ennen käyttöä, että liittimien alueella ei ole lastuja tai pölyä.
 - Käytön aikana pyri estämään työkalulle kertyneiden lastujen tai pölyn putoaminen akun päälle.
 - Käytön aikana ja jälkeen työkalu on suojattava lastuilta ja pölyltä.
- Muussa tapauksessa seurauksena voi olla oikosulku, joka saattaa aiheuttaa savupäästöjä tai syttymisen.

LITIUMIONIAKKUA KOSKEVA HUOMAUTUS

Litiumioniakun käyttöänsä pidentämiseksi akussa on suojaustoiminto, joka pysäyttää virrantuoton.

Kun tuotetta käytetään alla kuvatuissa tapauksissa 1–3, moottori saattaa pysähtyä, vaikka kytkintä vedetään. Kyse ei ole viasta, vaan suojaustoiminnosta.

1. Kun jäljellä oleva akkuteho loppuu, moottori pysähtyy. Lataa akku tällöin välittömästi.
2. Jos työkalu ylikuormittuu, moottori saattaa pysähtyä. Vapauta tällöin työkalun kytkin ja poista ylikuormituksen syyt. Voit jatkaa käyttöä sen jälkeen.
3. Jos akku ylikuumentuu liian suurella kuormituksella, akkuvirta saattaa katketa. Lopeta tällöin akun käyttö ja anna akun jäähtyä. Voit jatkaa käyttöä sen jälkeen.

Ota huomioon myös seuraavat varoitukset ja huomautukset.

VAROITUS

Varmista, että otat huomioon seuraavat turvatoimet, jotta akun vuotaminen, lämmön syntyminen, savun muodostuminen, räjähdykset ja syttyminen voitaisiin estää.

1. Varmista, että akun päälle ei kerry hiomalastuja tai pölyä.
- Varmista työskentelyn aikana, että hiomalastuja tai pölyä ei putoa akun päälle.
- Varmista, että työskentelyn aikana sähkötyökalun päälle putoavia hiomalastuja tai pölyä ei kerry akun päälle.
- Älä säilytä käyttämätöntä akkua hiomalastuille ja pölylle alttiissa paikassa.
- Ennen akun varastoimista poista kaikki pöly ja hiomalastut, jotka ovat saattaneet tarttua siihen, äläkä varastoi sitä yhdessä metallisten osien (ruuvien, nauhojen jne.) kanssa.
2. Älä pistä akkua terävällä esineellä, kuten naulalla, lyö sitä vasaralla tai astu sen päälle äläkä heitä akkua tai kohdistu siihen voimakasta iskuja.
3. Älä käytä ilmeisesti vahingoittunutta tai ulkonäöltään muuttunutta akkua.
4. Älä käytä akkua väärinapaisesti.
5. Älä yhdistä akkua suoraan sähköpistorasioihin tai auton savukkeensytyttimen pistorasioihin.
6. Älä käytä akkua muuhun kuin määritettyyn tarkoitukseen.
7. Jos akku ei lataudu kokonaan, vaikka ilmoitettu latausaika on kulunut, lopeta lataaminen välittömästi.
8. Älä altista akkua korkeille lämpötiloille tai korkealle paineelle, kuten mikroaaltouunille, kuivaajalle tai korkeapainesäiliölle.
9. Poista akku välittömästi tulen lähetyviltä, jos huomaat vuotoa tai pahaa hajua.
10. Älä käytä paikassa, jossa syntyy voimakasta staattista sähköä.
11. Jos akku vuotaa, haisee pahalta tai kuumenee tai jos sen väri tai muoto muuttuu tai akku vaikuttaa millään tavalla poikkeavalta sitä käytettäessä, ladattaessa tai säilytettäessä, poista se välittömästi laitteesta tai akkulaturista äläkä käytä sitä.
12. Älä upota akkua tai anna nestemäisten aineiden päästä akun sisään. Jos akun sisään pääsee sähköä johtavaa nestettä, kuten vettä, se voi vahingoittaa akkua ja aiheuttaa tulipalon tai räjähdyksen. Säilytä akku viileässä ja kuivassa paikassa kaukana helposti syttyvistä materiaaleista. Paikkoja, joiden ilmassa on syövyttäviä kaasuja, on vältettävä.

HUOMAUTUS

1. Jos akusta vuotavaa nestettä joutuu silmiin, älä hankaa silmiä, vaan pese ne hyvin puhtaalla vedellä, kuten vesijohtovedellä, ja ota yhteyttä lääkäriin välittömästi. Jos silmät jätetään hoitamatta, neste saattaa aiheuttaa silmäongelmia.
2. Jos nestettä vuotaa iholle tai vaatteille, pese ne heti huolellisesti puhtaalla vedellä, kuten vesijohtovedellä. Muuten iho voi ärtyä.
3. Jos havaitset ruostetta, pahaa hajua, ylikuumentumista, värin tai muodon muutoksia ja/tai muita epäsuunnollisuuksia käyttäessäsi akkua ensimmäistä kertaa, älä käytä akkua, vaan palauta se toimittajalle tai myyjälle.

VAROITUS

Jos litiumioniakun napaan pääsee johtavaa vierasta ainetta, akku voi joutua oikosulkuun ja aiheuttaa tulipalon. Kun varastoi litiumioniakun, noudata seuraavia ohjeita.

- Älä pane säilytyskoteloon johtavaa materiaalia, nauvoja tai lankaa, kuten rauta- tai kuparilankaa.
- Estääksesi oikosulkujen syntyminen lataa akku työkalussa tai aseta akun suojuksen kunnolla paikalleen säilytyksen ajaksi niin, että tuuletin ei näy.

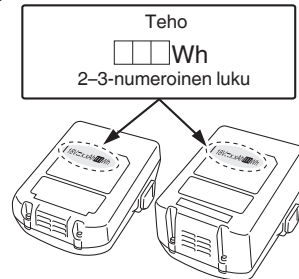
LITIUMIONIAKUN KULJETUSTA KOSKEVAT TIEDOT

Kun kuljetat litiumioniakkuja, noudata seuraavia varotoimia.

VAROITUS

Ilmoita kuljetusliikkeelle, että pakkaus sisältää litiumioniakun, ilmoita akun teho ja noudata kuljetusliikkeen ohjeita, kun järjestät kuljetusta.



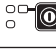

















- Litiumioniakut, jotka ylittävät 100 Wh tehon, lasketaan rahtiluokituksessa vaarallisiksi tuotteiksi ja vaativat erityiskäyttömenettelyjä.
- Jos akkua kuljetetaan ulkomailla, on noudatettava kansainvälistä lakia sekä kohdemaan sääntöjä ja määräyksiä.



OSIEN NIMET (Fig. 1 – Fig. 28)

①	Yläkansi
②	Laukaisin
③	LED-valo
④	Laukaisupää (aukko)
⑤	Painovipu
⑥	Naulansyötin (A)
⑦	Naulansyötin (B)
⑧	Makasiini






9	Koukku
10	Akku
11	Kytkimen lukkoviipu
12	Kahva
13	Pysäytysvipu
14	Akun ilmaisinkytkin
15	Akun merkkivalo
16	Naulaustavan valintakytkin
17	Virran merkkivalo
18	Virtakytkin
19	Naulaamisen merkkivalo
20	Naulaliuska
21	Makasiinin kansi
22	Ura
23	Terän ohjain
24	Säädin
25	Koukkulevy
26	Kärkisuojuus
27	Lukkoviipu
28	Ohjainlevy

	Irrota akku
	Virtakytkin
	Virtakytkin POIS PÄÄLTÄ
	Virtakytkin PÄÄLLÄ Virran merkkivalo: Palaa vihreänä
	Naulaustavan valintakytkin
	PERÄKKÄIS-/YKSITTÄISLAUKAISU
	PERÄKKÄIS-/YKSITTÄISLAUKAISU-tila Naulaustavan merkkivalo: Palaa sinisenä
	KOSKETUSLAUKAISU
	KOSKETUSLAUKAISU-tila Naulaamisen merkkivalo: Vilkkuu sinisenä
	Laukaisin lukossa
	Laukaisin vapautettu
	Akun ilmaisinkytkin
	Akussa on riittävästi virtaa Akun merkkivalo: 2 (punaista) merkkivaloa palaa
	Akun lataus on puoliillaan. Akun merkkivalo: 1 (punainen) merkkivalo palaa
	Akku on melkein tyhjä. Lataa akku mahdollisimman pian. Akun merkkivalo: 1 (punainen) merkkivalo vilkkuu
	Tarkastuta laite ottamalla yhteyttä HiKOKiin. Akun merkkivalo: 2 merkkivaloa vilkkuu oranssina, virta katkeaa automaattisesti 10 sekunnin kuluttua.
	Matala puoli
	Syvä puoli
	Varoitus
	Kielletty toiminto

SYMBOLIT

VAROITUS

Seuraavassa esitellään koneessa käytetyt symbolit. Varmista, että ymmärrät niiden merkityksen, ennen kuin aloitat koneen käytön.

	NT 1865DBAL: Johdoton dykkertnaulain NT 1865DBSL: Johdoton dykkertnaulain NT 1850DBSL: Johdoton viimeistelynaulain
	Loukkaantumisriskin vähentämiseksi käyttäjän on luettava käyttöopas.
	Koskee vain EU-maita Älä hävitä sähkötyökaluja tavallisen kotitalousjätteen mukana! Sähkö- ja elektroniikkaromua koskevan EU-direktiivin 2012/19/EU ja sen maakohtaisten sovellusten mukaisesti käytetyt sähkötyökalut on kerättävä erikseen ja vietävä ympäristöstävälliseen kierrätyslaitokseen.
	Tasavirta
	Kytkeminen PÄÄLLE
	Kytkeminen POIS PÄÄLTÄ

TEKNISET TIEDOT

1. Johdoton dykkertnaulain

Malli		NT1865DBAL	NT1865DBSL	
Moottori		tasavirta, harjaton	tasavirta, harjaton	
Sopiva naula		15 Ga (Kulma: 34°)	16 Ga	
Sopivan naulan pituus		32–65 mm	25–65 mm	
Naulojen lisäyskapasiteetti [naulaa]		100 (1 liuska)	100 (2 liuskaa)	
Laukaisutila		Peräkkäinen/kosketus (valittavissa)	Peräkkäinen/kosketus (valittavissa)	
Jakson nopeus	[naulaa/s]	3 (jaksottainen)	3 (jaksottainen)	
Akku	Malli	BSL1830C	BSL1830C	BSL1850
	Tyyppi	Litiumioniakku		
	Jännite	DC 18 V		
Paino*		3,5 – 4,1 kg	3,4 – 4,0 kg	
Mitat korkeus × pituus × leveys		344 mm × 300 mm × 104 mm	315 mm × 298 mm × 104 mm	315 mm × 310 mm × 104 mm

* EPTA-menettelyn 01/2014 mukaisesti
Riippuu liitetystä akusta. Raskain paino mitataan BSL36B18 mukaan (myydään erikseen).

2. Johdoton viimeistelynaulain

Malli		NT1850DBSL		
Moottori		tasavirta, harjaton		
Sopiva naula		18 Ga		
Sopivan naulan pituus		16–50 mm		
Naulojen lisäyskapasiteetti [naulaa]		100 (1 liuska)		
Laukaisutila		Peräkkäinen/kosketus (valittavissa)		
Jakson nopeus	[naulaa/s]	3 (jaksottainen)		
Akku	Malli	BSL1830C	BSL1850	
	Tyyppi	Litiumioniakku		
	Jännite	DC 18 V		
Paino*		3,3 – 4,0 kg		
Mitat korkeus × pituus × leveys		323 mm × 298 mm × 104 mm	323 mm × 310 mm × 104 mm	

* EPTA-menettelyn 01/2014 mukaisesti
Riippuu liitetystä akusta. Raskain paino mitataan BSL36B18 mukaan (myydään erikseen).

3. Akkulaturi

Malli	UC18YFSL	UC18YML2
Latausjännite	DC 14,4–18 V	
Paino	0,5 kg	0,7 kg

HUOMAA

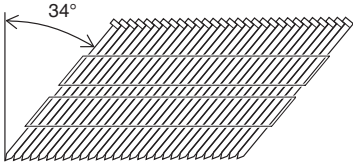
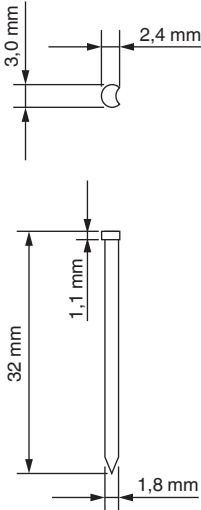

Koska HiKOKI kehittää tuotteitaan jatkuvasti, tässä ilmoitetut tekniset tiedot voivat muuttua ilman ennakkoilmoitusta.

NAULAN VALITSEMINEN

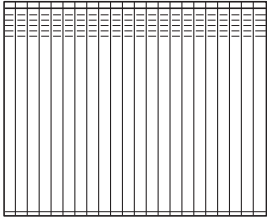
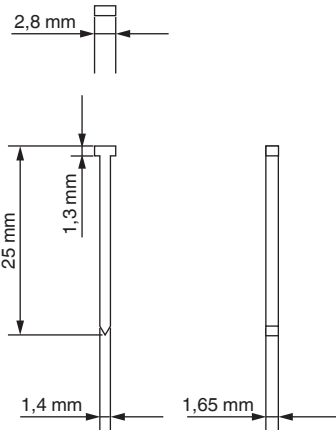

Naulaimella voidaan käyttää vain oheisessa taulukossa mainittuja nautoja.

Naulojen mitat

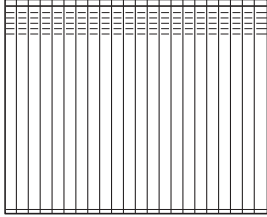

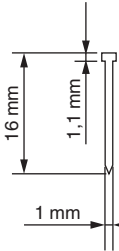
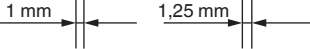

<NT1865DBAL>

	Min.	Maks.
<p>15 Gaugen dykkert-naulat (Kulma: 34°)</p> 		

<NT1865DBSL>

	Min.	Maks.
<p>16 Gaugen dykkert-naulat (suora)</p> 		

<NT1850DBSL>

	Min.	Maks.
<p>18 Gaugen viimeistelynaulat (suora)</p> 	 <p>1,9 mm</p>  <p>16 mm 1,1 mm</p>  <p>1 mm 1,25 mm</p>	 <p>50 mm</p>
Lukuun ottamatta nautoja, joiden pituus on 35 mm		

PERUSVARUSTEET

Päälaitteen (1 laite) lisäksi pakkaus sisältää sivulla 378 luetellut varusteet.

Perusvarusteet voivat muuttua ilman erillistä ilmoitusta.

SOVELLUKSET

<NT1865DBAL, NT1865DBSL>

- Naulaaminen viimeistelytarkoituksiin ovien, ikkunoiden ja reunusten ympärillä.
- Vetolaatikoiden pohjien kiinnittäminen. Erialaisten laatikoiden ja kaappien tekeminen.

<NT1850DBSL>

- Kaappien ja kuvakehysten kokoaminen, huonekalujen verhoilu.
- Kodin ja asuntovaunun parannukset ja listoitukset.

LATAUS

Lataa akku ennen sähkötyökalun käyttöä seuraavasti.

1. Liitä virtalähteeseen. (Kuva 3)

Kun akku ladataan verkkovirtalähteestä

- Liitä laturin verkkojohto pistorasiaan.

Kun laturin pistoke liitetään pistorasiaan, merkkivalo vilkkuu punaisena (1 sekunnin välein).

HUOMAUTUS

Älä käytä sähköjohtoa, jos se on vaurioitunut.

Korjauta se välittömästi.

Kun akku ladataan auton 12V:n DC-virtalähteestä (UC18YML2)

- Kiinnitä akkulaturi paikalleen autoon.

Käytä akkulaturin mukana toimitettua hihnaa kiinnittääksesi akun paikalleen ja estääksesi sitä liikkumasta itsestään. (Katso **kuva 28**)

HUOMAUTUS

Älä aseta akkulaturia tai akkua kuljettajan istuimen alle. Kiinnitä akkulaturi paikalleen estääksesi sitä liikkumasta tahattomasti, jotta se ei aiheuta onnettomuutta.



Kuva 28

- Aseta tupakansytyttimen liittämiseen tarkoitettu pistoke tupakansytyttimen pistorasiaan. Jos pistoke on löysä ja putoaa tupakansytyttimen pistorasiasta, korjaa pistorasia. Koska pistorasia voi olla viallinen, suosittelemme ottamaan yhteyttä paikalliseen automyyjään. Pistorasian käytön jatkaminen voi aiheuttaa ylikuumentumisen ja onnettomuuden.
2. **Aseta akku laturiin.**
Aseta akku kunnolla laturiin, kunnes viiva näkyy, kuten **kuviossa 3** näytetään. Viivoja ei näy mallissa UC18YFSL. Varmista, että akku on asetettu lujasti paikalleen.
 3. **Lataus**
Kun paristo asetetaan laturiin, lataus alkaa ja merkkivalo palaa jatkuvasti punaisena. Kun akku on latautunut, merkkivalo vilkkuu punaisena. (1 sekunnin välein) (Katso **taulukko 1**)
- (1) Merkkivalon ilmoitukset
Merkkivalon ilmoitukset näkyvät **taulukon 1** mukaisesti laturin ja ladattavan akun kunnon mukaan.

Taulukko 1

<UC18YFSL>

Merkkivalon ilmoitukset				
Merkkivalo (punainen)	Ennen latausta	Vilkkuu	Palaa 0,5 sekunnin ajan. Ei pala 0,5 sekunnin ajan. (sammuu 0,5 sekunniksi)	
	Ladattaessa	Palaa	Palaa jatkuvasti	
	Lataus valmis	Vilkkuu	Palaa 0,5 sekunnin ajan. Ei pala 0,5 sekunnin ajan. (sammuu 0,5 sekunniksi)	
	Ylikuumentumisen aiheuttama valmiustila	Vilkkuu	Palaa 1 sekunnin ajan. Ei pala 0,5 sekunnin ajan. (sammuu 0,5 sekunniksi)	Akku on ylikuumentunut. Lataaminen ei onnistu. (Lataus alkaa, kun akku jäähtyy)
	Lataus ei onnistu	Välkkyy	Palaa 0,1 sekunnin ajan. Ei pala 0,1 sekunnin ajan. (sammuu 0,1 sekunniksi)	Akun tai laturin toimintahäiriö

<UC18YML2>

Merkkivalon ilmoitukset				
Merkkivalo syttyy tai vilkkuu punaisena.	Ennen latausta	Vilkkuu	Palaa 0,5 sekunnin ajan. Ei pala 0,5 sekunnin ajan. (sammuu 0,5 sekunniksi)	
	Ladattaessa	Palaa	Palaa jatkuvasti	
	Lataus valmis	Vilkkuu	Palaa 0,5 sekunnin ajan. Ei pala 0,5 sekunnin ajan. (sammuu 0,5 sekunniksi)	
	Lataus ei onnistu	Välkkyy	Palaa 0,1 sekunnin ajan. Ei pala 0,1 sekunnin ajan. (sammuu 0,1 sekunniksi)	Akun tai laturin toimintahäiriö
Merkkivalo syttyy tai vilkkuu vihreänä.	Ylikuumentumisen aiheuttama valmiustila	Palaa	Palaa jatkuvasti	Akku on ylikuumentunut. Lataaminen ei onnistu. (Lataus alkaa, kun akku jäähtyy)
	Lataus auton virtalähteestä ei onnistu	Vilkkuu	Palaa 0,5 sekunnin ajan. Ei pala 0,5 sekunnin ajan. (sammuu 0,5 sekunniksi)	DC 12 V:n syöttö on viallinen

HUOMAA: Akun jäähtymisen valmiustilassa UC18YML2 jäähtyy ylikuumentuneen akun tuulettimella. (Tuuletin ei kuitenkaan toimi, kun akku ladataan auton 12 V:n DC-virtalähteellä.)

(2) Mitä tulee ladattavan pariston lämpötilaan Ladattavien akkujen lämpötilat näkyvät **Taulukossa 2**. Kuumentuneiden akkujen tulee antaa jäähtyä ennen lataamista.

Taulukko 2 Kuumentuneen pariston lataaminen

Ladattava paristo	Lämpötilat joissa paristo voidaan ladata
BSL1830C, BSL1850	0°C – 50°C

(3) Latausajasta Laturin ja paristojen yhdistelmästä riippuen latausaika on **Taulukossa 3** näkyvä.

Taulukko 3 Latausaika (20°C lämmössä) (Vaihtovirtalähde / (Auton) 12 V:n tasavirtalähde)

Paristo	Laturi	UC18YFSL	UC18YML2
BSL1830C		Noin 45 minuter	Noin 45 / 120 minuter
BSL1850		Noin 75 minuter	Noin 75 / 200 minuter

HUOMAA

Latausaika vaihtelee riippuen ympäristön lämpötilasta ja virtalähteen jännitteestä.

<UC18YML2>

Erytisesti auton 12 V:n DC-virtalähdettä käytettäessä latausaika saattaa olla pidempi korkeissa lämpötiloissa.

HUOMAUTUS

Kun akkulaturi on ollut käytössä jatkuvasti, se kuumenee ja voi aiheuttaa vikoja. Kun lataus on valmis, anna laturin olla käyttämättömänä 15 minuuttia ennen seuraavaa latausta.

4. Irrota laturin verkkojohto pistorasiasta tai tupakansytyttimen pistorasiasta.

5. Pidä laturista kiinni lujasti ja vedä akku pois.

HUOMAA

Poista akku laturista käytön jälkeen ja säilytä sitä turvallisessa paikassa.

Mitä tulee sähkön tuotantokykyyn uusien paristojen ollessa kyseessä jne.

Koska uusien paristojen ja kauan käyttämättöminä olleiden paristojen sisäinen kemiallinen aineosa ei aktivoidu, sähkön tuotantokyky saattaa olla alhainen paristoja ensimmäisiä kertoja käytettäessä. Tämä on väliaikainen ilmiö. Normaali latausaika palautuu lataamalla paristoja 2 – 3 kertaa.

Kuinka paristot saa toimimaan kauemmin

- Lataa paristot ennen kuin ne täysin tyhjenevät. Kun tunnet työkalun tehon heikkenevän, sammuta se ja lataa paristo. Mikäli jatkat tällöin käyttöä ja kulutat sähkövirtaa, paristo vahingoittuu ja sen kestoikä lyhenee.
- Älä lataa korkeissa lämpötiloissa. Ladattava paristo on kuuma heti käytön jälkeen. Jos paristo ladataan heti käytön jälkeen, sen sisäinen kemikaalinen ainesosa heikkenee ja paristoikä lyhenee. Anna pariston jäähtyä hetken aikaa.

HUOMAUTUS

- Jos akkua ladataan sen ollessa kuumentunut siksi, että se on jätetty pitkäksi aikaa suoraan auringonvaloon tai koska akkua on juuri käytetty, laturin merkkivalo palaa 1 sekunnin ajan, sammuu sitten 0,5 sekunniksi (pois päältä 0,5 sekuntia) (UC18YFSL) tai palaa vihreänä. (UC18YML2). Lataa paristo vasta sen jäähtytyä.
- Jos merkkivalo välkkyi punaisena (0,2 sekunnin välein), tarkista, onko laturin akkuliittimeen joutunut vieraita esineitä ja ota ne pois. Jos vieraita esineitä ei löydy, akku tai laturi saattaa olla epäkunnossa. Vie se valtuutettuun huoltokeskukseen.
- Koska kestää noin 3 sekuntia ennen kuin sisäinen mikrotietokone varmistaa että laturilla UC18YFSL / UC18YML2 ladattava paristo on ulkona, odota ainakin 3 sekuntia ennen kuin laitat sen uudelleen sisään ja jatkat lataamista. Jos paristo laitetaan sisään 3 sekunnin kuluessa, se ei lataudu kunnolla.
- Tarkista autossa olevan virtalähteen jännite, jos merkkivalo vilkkuu vihreänä (1 sekunnin välein). (UC18YML2)
Jos jännite on 12 V tai pienempi, auton akku on heikentynyt eikä lataus onnistu.
- Jos merkkivalo ei vilku punaisena (sekunnin välein) silloinkaan, kun laturin johto tai tupakansytyttimeen liittämiseen tarkoitettu pistoke on liitetty virtalähteeseen, laturin suojauspiiri saattaa olla aktivoitunut. Irrota johto tai pistoke virtalähteestä ja liitä se takaisin noin 30 sekunnin kuluttua. Jos merkkivalo ei vieläkään vilku punaisena (sekunnin välein), vie laturi valtuutettuun HiKOKI-huoltokeskukseen.

ENNEN KÄYTTÖÄ

Toimenpide	Kuva	Sivu
Akun asettaminen ja poistaminen	2	379
Lataus	3	380
Varusteiden valitseminen	—	385

1. Käyttöpaneelin toiminta

- Virtakytkin PÄÄLLÄ (katso kuva 4)
Virtakytkimen ollessa POIS PÄÄLTÄ virran merkkivalo muuttuu vihreäksi pitämällä virtakytkin alhaalla yli sekunnin.

HUOMAA

Painovipua ei saa painaa eikä laukaisimesta vetää virtakytkimen PÄÄLLE asettamisen aikana. Muussa tapauksessa virtakytkin ei mene PÄÄLLE.




[Automaattinen virrankatkaisu]

Naulain sammuu automaattisesti, jos virta on kytketty päälle, mutta sitä ei käytetä 30 minuuttiin. Laite kytketään takaisin päälle painamalla virtakytkintä.

VAROITUS

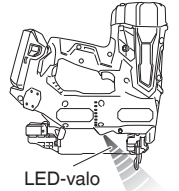

Naulaimen virtaa ei saa jättää päälle. Muussa tapauksessa seurauksena voi olla onnettomuus.

- Virtakytkin POIS PÄÄLTÄ (katso kuva 4)
Virtakytkimen ollessa PÄÄLLÄ virran merkkivalo sammuu pitämällä virtakytkin alhaalla yli sekunnin. Virtakytkimen ollessa PÄÄLLÄ oheiset toiminnot ovat käytettävissä.
- Valitse nauлаustapa (peräkkäislaukaisu/kosketuslaukaisu)
Virtakytkimen PÄÄLLE asettamisen jälkeen laitteen toimintatilaaksi on ensin valittava peräkkäislaukaisu. (Naulaustavan merkkivalo palaa sinisenä.) (Katso kuva 5)
Naulaustapaa vaihdetaan painamalla kerran nauлаustavan valintakytkintä. Jokainen painallus vaihtaa peräkkäis- ja kosketustilan välillä. (Katso kuva 6)
Palaa (sininen):
PERÄKKÄIS-/YKSITTÄISLAUKAUSU,
Vilkkuu (sininen):
KOSKETUSLAUKAUSU
- Tarkista akun jäljellä oleva varustila
Akun ilmaisinkytkintä painettaessa akun merkkivalon tila ilmoittaa jäljellä olevan varustilan seuraavasti.

Merkkivalon tila	
 2 (punaista) merkkivaloa palaa	Akussa on riittävästi virtaa.
 1 (punainen) merkkivalo palaa	Akun lataus on puoliillaan.
 1 (punainen) merkkivalo vilkkuu	Akku on melkein tyhjä. Lataa akku mahdollisimman pian.

(5) Muut toiminnot

Toimintavirheet ilmoitetaan merkkivaloin seuraavasti.

Merkkivalon tila	
 <p>LED-valo</p> <p>Merkkivalon vilkkumistaajuus.</p> <ul style="list-style-type: none"> • Ylikuumentumistilanteissa merkkivalo vilkkuu 1 sekunnin välein. • Lämpötilan ollessa liian alhainen merkkivalo vilkkuu 0,5 sekunnin välein. <p>10 sekunnin kuluttua merkkivalo sammuu ja virtakytkin menee pois päältä automaattisesti.</p>	<p>Laite on liian kylmä (alle -5°C) tai liian kuuma. Anna naulaimen joko jäähtyä tai lämmitä kunnolla.</p>
 <p>2 merkkivaloa vilkkuu oranssina, virta katkeaa automaattisesti 10 sekunnin kuluttua.</p>	<p>Tarkastuta laite ottamalla yhteyttä HiKOKiin.</p>




(6) Merkkivalon käyttäminen (katso kuva 7)

Virran ollessa päällä LED-lamppu valaisee työkalun kärjen automaattisesti.

HUOMAUTUS

- Suojaa silmiä olemalla katsomatta valoon suoraan. Jatkuva valon katsominen sattuu silmiin.
- Pyyhki LED-lampun linssiin tartunut lika ja rasva pehmeällä liinalla varoen naarmuttamasta linssiä. LED-lampun linssissä olevat naarmut voivat vähentää kirkkautta.

2. Laukaisimen lukitus (katso kuva 8)**VAROITUS**

Laukaisimen on oltava lukittu, kun laitteella ei naulata. Naulaimen lukitus estää naulaamisen. Laukaisin lukitaan asettamalla kytkimen lukkoviipu  -asentoon. Työnnä kytkimen lukkoviipu  -asentoon, kun haluat käyttää naulainta, ja  -asentoon, kun sitä ei käytetä.

3. Naulaimen testaaminen**VAROITUS**

- Laukaisimen on oltava lukittu, kun laitteella ei naulata. (Katso kuva 8)
- Naulainta ei saa käyttää, mikäli sen painovipu ei toimi oikein. NT1865DBAL- ja NT1865DBSL-malleissa on mekanismi, joka estää niiden toimimisen ilman nauvoja. NT1865DBAL- ja NT1865DBSL-mallit siirtyvät tilaan, jossa painovipua ei voi työntää ylös. Tämä tapahtuu, kun makasiiniin ei ole ladattu nauvoja tai kun jäljellä olevien nauvojen määrä laskee alle kuuden tai yhdeksän.

HUOMAUTUS

Varo työntämästä painovivun kärkeä nopeasti kiinni puuhun.

Testaa naulaimen toiminta oheisen tarkistusluettelon avulla ennen kuin aloitat naulaamisen. Suorita testit seuraavassa järjestyksessä.

Jos naulain toimii poikkeavasti, lopeta sen käyttö ja ota välittömästi yhteyttä HiKOKin valtuutettuun huoltoliikkeeseen.

(1) POISTA KAIKKI NAULAT JA IRROTA NAULAIMEN AKKU.

KAIKKI RUUVIT ON KIRISTETTÄVÄ.

PAINOVIVUN JA LAUKAISIMEN ON LIKUTTAVA TASAISESTI, kun naulansyötin (B) vedetään taakse. (NT1850DBSL: Naulansyötintä ei tarvitse vetää taakse)

(2) Akun asentaminen.

Älä käytä painovipua tai laukaisinta akun asentamisen aikana. (Katso kuva 2)

(3) Kytke virtakytkin päälle. (Katso kuva 1)

Kytke virtakytkin päälle pitämällä se alhaalla yli sekunnin ajan.

Varmista, että virran merkkivalo palaa vihreänä ja naulaamisen merkkivalo sinisenä. (PERÄKKÄIS-/YKSITTÄISLAUKAISU)

HUOMAA

Painovipua ei saa painaa eikä laukaisimesta vetää virtakytkimen PÄÄLLE asettamisen aikana.

Muussa tapauksessa virtakytkin ei mene PÄÄLLE.

[Automaattinen virrankatkaisu]

Naulain sammuu automaattisesti, jos virta on kytketty päälle, mutta sitä ei käytetä 30 minuuttin. Laite kytketään takaisin päälle painamalla virtakytkintä.

VAROITUS

Naulaimen virtaa ei saa jättää päälle. Muussa tapauksessa seurauksena voi olla onnettomuus.

Naulaustavan merkkivalo

Palaa (sininen):

PERÄKKÄIS-/YKSITTÄISLAUKAISU,

Vilkkuu (sininen):

KOSKETUSLAUKAISU

Varmista, että akun merkkivalo ei vilku.

Jos akun merkkivalo vilkkuu punaisena, akussa ei ole tarpeeksi virtaa, jolloin se on ladattava.

(4) Poista sormi laukaisimelta ja työnnä painovipu vasten työ kappaletta vetämällä naulansyötin (B) taakse.

NAULAIN EI SAA TOIMA.

(5) Vedä painovipu irti työ kappaaleesta.

Suuntaa naulain sitten alaspäin ja vetämällä naulansyötin (B) taakse vedä laukaisimesta ja pidä laukaisin tässä asennossa vähintään viisi sekuntia.

NAULAIN EI SAA TOIMA.

(6) ① Koskematta laukaisimeen työnnä painovipu työ kappaletta vasten vetämällä naulansyötin (B) taakse.

Vedä sitten laukaisimesta.

NAULAIMEN ON TOIMITTAVA.

② Pidä laukaisin takana ja paina painovipu uudelleen työ kappaletta vasten.

NAULAIN EI SAA TOIMA.

③ Irrota sormi laukaisimelta. Seuraavaksi tee kuten kohdassa ①.

NAULAIMEN ON TOIMITTAVA.

Suomi

(7) Vedä painovipu irti työkappaleesta, vedä laukaisimesta. Työnnä painovipu työkappaletta vasten 2 sekunnin kuluessa.

NAULAIN EI SAA TOIMIA.

(8) Aseta nauлаustavan merkivalon vilkkuminen PÄÄLLE. (KOSKETUSLAUKAISU)
Paina nauлаustavan valintakytkintä kerran ja varmista, että merkivalo vilkkuu sinisenä.

Vedä painovipu irti työkappaleesta, vedä laukaisimesta. Työnnä painovipu työkappaletta vasten 2 sekunnin kuluessa.

NAULAIMEN ON TOIMITTAVA.

(9) Jos naulain toimii normaalisti, voit lisätä siihen nauлоja. Ammu koenauлоja aiottua kohdetta vastaavaan työkappaleeseen.

NAULAIMEN ON TOIMITTAVA ASIANMUKAISESTI.

4. Painoviputoimintojen tarkastus

VAROITUS

Laukaisimen on oltava lukittu, kun laitteella ei nauлаta.

Varmista aina, että laukaisin on lukittu ja akku on irrotettu sähkötyökalusta, kun painoviputoimintoja tarkastetaan.

Tarkasta varmistukseksi, että painovipu liukuu tasaisesti, kun sitä käytetään.

Puhdista painovivun liukumisalue, jos se ei liu'u tasaisesti.

5. Nauлоjen lisääminen

VAROITUS

Kun lisäät nauлоja nauлаimeen,

- 1) irrota nauлаimen akku
- 2) älä vedä laukaisimesta
- 3) älä paina painovipua alas ja
- 4) pidä naulain siten, että se osoittaa alaspäin.

<NT1865DBAL, NT1865DBSL>

2 – Nauлоjen syöttäminen

- (1) Työnnä nauлаliuska makasiiniin takaosaan. (Katso kuva 9)
- (2) Työnnä nauлаliuska eteenpäin makasiiniin. (Katso kuva 10)
- (3) Kytke nauлаnsyötin (B) nauлаliuskaan työntämällä nauлаnsyötintä (A). (Katso kuva 11)

HUOMAA

Työnnä nauлаnsyötin (A) ja nauлаnsyötin (B) hiljaa nauлаa vasten.

Jos nauлаnsyötin (A) ja nauлаnsyötin (B) irtoavat makasiiniin takaosasta ja törmäävät nauлаan, nauлоja yhdessä pitävä ilmaus voi vahingoittaa.

- Käytä liuskoja, joissa nauлоja on yli kymmenen.
- Käytä ehjiä nauлаliuskoja, joiden nauлат ovat yhtä pitkiä.

Naulain on nyt käyttövalmis.

Nauлоjen poistaminen:

- ① Vedä nauлаnsyötin (B) taakse. (Katso kuva 12)
- ② Palauta nauлаnsyötin (B) hitaasti etuasentoon painamalla samalla nauлаnsyötintä (A).
- ③ Vedä nauлат ulos makasiiniin takaosasta. (Katso kuva 13)

<NT1850DBSL>

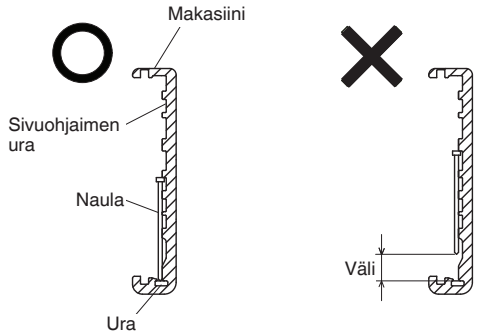
(1) Paina pysäytysvipua kevyesti ja vedä makasiinin kansi varovasti ulos. (Katso kuva 14)

(2) Aseta nauлаliuska makasiiniin ja pidä nauлоjen kärjet kiinni urassa. (Katso kuva 15)

HUOMAA

Sivulla 184 näkyviä nauлоja voidaan lisätä makasiinin sivuohjaimen uraan ilman säätöjä.

Pidä nauлоjen kärjet kiinni urassa.



- (3) Työnnä nauлаliuska terän ohjaimen. (Katso kuva 16)
- (4) Varmista, että nauлаliuska on oikein sivuohjaimen urissa ja urassa, paina sitten makasiinin kantta eteenpäin siten, että se kiinnittyy.

NAULAIMEN KÄYTTÄMINEN

VAROITUS

- Työkalua ei saa suunnata itsen tai muihin.
- Tahaton laukeaminen estetään pitämällä sormet etäällä laukaisimesta muutoin kuin nauлаttaessa.
- Älä käytä vaurioitunutta sähköjohtoa. Korjauta se välittömästi.
- Laukaisutavan valintaan on kiinnitettävä huomiota. Lue huolellisesti kohta 1. Nauлаamistavat alla.
- Tarkista nauлаustavan vaihtokytkin ennen aloittamista. Tässä HIKOKIn nauлаimessa on nauлаustavan vaihtokytkin. Ennen työn aloittamista varmista, että vaihdin on oikeassa asennossa. Jos vaihdin ei ole oikeassa asennossa, laite ei toimi kunnolla.
- Kasvoja, käsiä tai jalkoja ei saa käytön aikana viedä lähelle laukaisupäätä.
- Älä ammu nauлоja toisten nauлоjen päälle äläkä käytä nauлаinta liian jyrkässä kulmassa. Nauлат voivat kimmota ja vahingoittaa jotakuta.
- Älä ammu nauлоja ohuisiin levyihin tai lähelle työkalupaleen kulmia tai reunoja. Nauлат voivat lävistää työkalupaleen ja osua johonkuhun.
- Nauлоja ei saa ampua samanaikaisesti seinän molemmilta puolilta. Nauлат voivat lävistää seinän ja osua seinän toisella puolella olevaan henkilöön.
- Viallista tai poikkeavasti toimivaa nauлаinta ei saa käyttää.
- Naulainta ei saa käyttää vasarana.
- Poista nauлаimesta kaikki jäljellä olevat kiinnikkeet ja irrota akku seuraavissa tapauksissa:
 - 1) huolto- ja tarkastustoimenpiteiden yhteydessä
 - 2) painovivun ja laukaisimen asianmukaisen toiminnan tarkistuksen yhteydessä
 - 3) karkaisuujuksen kiinnittämisen tai irrottamisen yhteydessä
 - 4) poistettaessa tukosta
 - 5) kun laitetta ei käytetä
 - 6) poistuttaessa työskentelyalueelta
 - 7) siirrettäessä laitetta paikasta toiseen ja
 - 8) ojennettaessa se toiselle henkilölle.
- Akku on irrotettava nauлаimesta seuraavissa tapauksissa:
 - 1) lisättäessä nauлоja
 - 2) säädintä kierrettäessä.

Tässä HiKOKIn nauhimessa on nauhaustavan vaihdin. Valitse PERÄKKÄIS-/YKSITTÄISLAUKAISU tai KOSKETUSLAUKAISU käsillä olevan työn mukaan.

Seloste eri nauhaustavoista

○ PERÄKKÄINEN KERTALAUKAISU:

Työnnä painovipu ensin puuta vasten ja ammu sitten naula painamalla laukaisinta.

Jatka nauhojen ampumista noudattamalla samaa toimintajärjestystä.

Naulan ampumisen jälkeen uusi naula voidaan ampua vasta, kun sormi on siirretty pois laukaisimelta ja työkalu on nostettu kokonaan irti puupinnasta.

○ KOSKETUSLAUKAISU:

KOSKETUSLAUKAISUSSA noudatetaan kahta eri toimintajärjestystä käyttötavan mukaan.

Useiden nauhojen ampuminen:

1. Paina laukaisinta.
2. Ammu naula työntämällä painovipu puuta vasten.
3. Jos laukaisin pidetään taka-asennossa, nauha ammutaan aina, kun painovipu työnnetään puuta vasten.

Yksittäisen nauhan ampuminen:

1. Työnnä painovipu puuta vasten.
2. Ammu naula painamalla laukaisinta.
3. Ota sormet pois laukaisimelta ja irrota nauhain puusta.

[Tyhjään laukeamisen esto]

NT1865DBAL- ja NT1865DBSL-malleissa on mekanismi, joka estää niiden toimimisen ilman nauloja. NT1865DBAL- ja NT1865DBSL-mallit siirtyvät tilaan, jossa painovipua ei voi työntää ylös. Tämä tapahtuu, kun makasiinissa ei ole nauloja tai kun jäljellä olevien nauhojen määrä laskee alle kuuden tai yhdeksän.

HUOMAUTUS

Varo työntämästä painovivun kärkeä puuta vasten tilanteissa, jossa painovipua ei voi työntää ylös.

1. Nauhaamistavat

Nauhaamissa on painovipu, ja laite toimii vain painovivun ollessa alhaalla.

Nauhaamalla voidaan ampua nauloja kahdella tavalla.

Nämä ovat:

1. jaksoittaiskäyttö (laukaisin laukaisee);

2. jatkuva käyttö (painovipu laukaisee);

(1) Jaksoittaiskäyttö (laukaisin laukaisee)

Käytä PERÄKKÄIS-/YKSITTÄISLAUKAISU-asetusta. (Katso kuva 17)

VAROITUS

○ Jaksoittaiskäyttö valitaan asettamalla nauhaustavan valintakytkin PERÄKKÄIS-/YKSITTÄISLAUKAISU-asettoon (nauhaustavan merkkivalo palaa sinisenä). (ts. valitse YKSITTÄISLAUKAISU.)

○ Kaksoislaukausten tai rekyylistä johtuvan tahattoman laukeamisen estäminen.

1) Valitse PERÄKKÄIS-/YKSITTÄISLAUKAISU.

2) Vedä laukaisinta nopeasti ja lujasti.

① Aseta nauhaustavan valintakytkin PERÄKKÄIS-/YKSITTÄISLAUKAISU-asettoon (nauhaustavan merkkivalo palaa sinisenä). (PERÄKKÄIS-/YKSITTÄISLAUKAISU-asetuksen valitseminen).

(Aseta vaihdin asentoon, jossa nauhaustavan merkkivalo palaa sinisenä, kuten kuvassa 17. Muussa tapauksessa asetuksena on KOSKETUSLAUKAISU.)

② Aseta nauha-aukko työkappaleelle ja pidä sormi pois laukaisimelta.

③ Paina painovipua lujasti, kunnes se on täysin alhaalla.

④ Ammu naula vetämällä laukaisimesta.

⑤ Irrota sormi laukaisimelta ja nosta työkalu kokonaan pois puupinnalta.

Jatka nauhaamista toisessa paikassa siirtämällä nauhainta pitkin pintaa ja toistamalla vaiheet ②–⑤ tarpeen mukaan.

HUOMAA

Vaiheet ③ ja ④ on suoritettava 2 sekunnin kuluessa. Jos vaiheen ③ jälkeen kuluu vähintään kaksi sekuntia, nauhain lakkaa toimimasta oikein. Tässä tapauksessa jatka uudelleen vaiheesta ③.

(2) Jatkuva käyttö (painovipu laukaisee)

KOSKETUSLAUKAISUN käyttö (katso kuva 18)

VAROITUS

Kaksoislaukausten tai rekyylistä johtuvan tahattoman laukeamisen estäminen.

1) Nauhainta ei saa painaa puuta vasten liian voimakkaasti.

2) Vedä nauhain irti puusta, sillä nauhan ampumisen jälkeen se iskee takaisin.

① Aseta nauhaustavan valintakytkin KOSKETUSLAUKAISU-asettoon (nauhaustavan merkkivalo palaa sinisenä).

(KOSKETUSLAUKAISU-asetuksen valitseminen).

(Aseta vaihdin asentoon, jossa nauhaustavan merkkivalo vilkkuu sinisenä, kuten kuvassa 18. Muussa tapauksessa laite ei toimi oikein).

② Vedä laukaisimesta nauhain irti työkappaleesta.

③ Ammu naula työntämällä painovipu vasten työkappaleetta.

④ Siirrä nauhainta työkappaleen pinnalla nostaan sitä hieman kappaleen pinnasta.

Nauha ammutaan aina, kun painovipu painuu alas.

Irrota sormi laukaisimesta heti, kun haluttu määrä nauloja on ammuttu.

HUOMAA

Vaiheet ② ja ③ on suoritettava 2 sekunnin kuluessa. Jos vaiheen ② jälkeen kuluu vähintään kaksi sekuntia, nauhain lakkaa toimimasta oikein. Tässä tapauksessa jatka uudelleen vaiheesta ②.

VAROITUS

○ Pidä sormi laukaisimella vain nauhaamisen aikana. Jos painovipu koskettaa vahingossa työalueella olevaa henkilöä, seurauksena voi olla vakavia vammoja.

○ Pidä kädet ja keho pois laukaisualueelta. Tämä HiKOKIn nauhain voi pompatua rekyyliin voimasta, jolloin seurauksena voi olla ei-toivottu nauhan laukeaminen ja tästä aiheutuvia vahinko.

HUOMAA

○ Laitetta voidaan käyttää turvallisesti molemmilla nauhaustavoilla noudattamalla varoituksia ja ohjeita: PERÄKKÄIS-/YKSITTÄISLAUKAISU, KOSKETUSLAUKAISU.

○ Nauloja ja pakkausta on käsiteltävä varovasti. Nauhojen päästessä putoamaan niitä yhdessä pitävä liimaus voi murtua, jolloin seurauksena on syöttöhäiriöitä ja tukoksia.

○ Nauhaamisen jälkeen:

1) irrota nauhaimen akku

2) poista kaikki nauhat nauhaimesta.

2. Nauhaussyvyyden säätäminen

Varmista, että kukin nauha uppoaa samaan syvyyteen, pitämällä nauhain aina lujasti työkappaleelta vasten.

Jos nauhat uppoavat työkappaleeseen liian syväälle tai matalalle, nauhaus säädetään seuraavassa järjestyksessä.

① Poista akku nauhaimesta.

② Jos nauhat uppoavat liian syväälle, käännä säädintä matalalle puolelle. (Katso kuva 19)

Säätäminen tapahtuu puoli kierrosta kerrallaan.

Jos nauhat eivät uppoa riittävän syväälle, käännä säädintä syväälle puolelle. (Katso kuva 20)

③ Lopeta säätimen kiertäminen, kun koenaulaamisessa saavutettu syvyys on sopiva.

④ Kytke akku nauhaimen.

KÄYTÄ AINA SUOJALASEJA.

Suorita koenaulaus.

⑤ Poista akku nauhaimesta.

⑥ Säädä säätimen asento sopivaksi.

Suomi

3. Koukun käyttäminen (katso kuvat 21, 22, 23)

VAROITUS

Sammuta virta koukkaa käytettäessä (vihreä valo "OFF"). Huolehdi siitä, että laitteisto ei pääse putoamaan. Työkalun putoaminen voi aiheuttaa onnettomuusvaaran.

Koukku voidaan asentaa vasemmalle tai oikealle puolelle. (pois lukien NT1865DBAL)

- 1 Irrota akku, poista sitten kaikki jäljellä olevat naulat makasiinista.
- 2 Tartu lujasti päälaitteeseen ja irrota ruuvi ruuvitaltalla. (Katso kuva 21)
- 3 Irrota koukku ja koukun levy. (Katso kuva 22)
- 4 Asenna koukku toiselle puolelle ja kiinnitä lujasti ruuvilla. (Katso kuva 23)

HUOMAA

Koukkaa voidaan käyttää ripustimena.

4. Kärkisuojuksen käyttäminen (katso kuva 24, 25)

VAROITUS

Kärkisuojuksen kiinnittämisen tai irrottamisen yhteydessä irrota sormi laukaisimelta ja poista nauaimesta kaikki kiinnittimet samoin kuin akku.

Jos työkalun pinta halutaan suojata painovivun aiheuttamilta naarmuilta tai jäljiltä, kiinnitä painovipuun kärkisuojus.

- 1 Poista nauaimesta jäljellä olevat kiinnikkeet ja irrota akku.
- 2 Aseta kärkisuojus painovivun kärkeen.
- 3 Kärkisuojuksessa on merkki, joka näyttää naulan ulostulokohdan, mikä helpottaa linjaamista.
- 4 Kun kärkisuojus ei ole käytössä, säilytä se makasiinin kääntöpuolen säilytyslokerossa.

HUOMAA

Kärkisuojus voi vähentää nauaussyvyyttä oman paksuutensa verran. Nauaussyvyys on säädettävä uudelleen.

5. Tukoksen selvittäminen

Jos naulat tukkivat laukaisupään, poista ne ja säädä naulaus seuraavassa järjestyksessä.

HUOMAUTUS

Poista akku nauaimesta.

- 1 Poista akku nauaimesta.
- 2 Poista kaikki naulat.
- 3 Vapauta luukkoviipu ja avaa ohjainlevy. (Katso kuva 26)
- 4 Poista juttunut naula urakantaruuvitaltalla. (Katso kuva 27)

HUOMAA

- Iskuriterää ei saa lyödä.
- Työkalua ei saa suunnata ketään päin, loukkaantumisvaara.

Siinäkin tapauksessa, että naulainen akku on irrotettu, sen sisällä on edelleen paineilmaa.

- 5 Sulje ohjainlevy ja salpa.

HUOMAA

Mikäli tukoksia esiintyy usein, ota yhteyttä HiKOKIn valtuutettuun huoltoilikeeseen.

HUOLTO JA TARKASTUS

HUOMAUTUS

Muista poistaa kaikki jäljellä olevat kiinnikkeet ja irrottaa akku nauaimesta ennen huoltoa ja tarkastusta.

1. Makasiinin tarkastaminen

- 1 Irrota akku nauaimesta.
- 2 Puhdista makasiini. Poista makasiiniin mahdollisesti kerääntynyt pöly ja puulastut.

HUOMAUTUS

Tarkista, että naulaysyötin liukuu tasaisesti vetämällä sitä sormella.

Muuten naulat voivat lähteä poikkeavassa kulmassa ja satuttaa jotakuta.

2. Kiinnitysruuvien tarkistaminen

Tarkista kaikki kiinnitysruuvit säännöllisesti ja varmista, että ne on kunnolla kiristetty. Jos ruuvit ovat löysällä, kiristä ne välittömästi. Tämän tekemättä jättäminen voi aiheuttaa vakavan vaaran.

3. Moottorin huolto

Moottorin käämi on sähkötyökalun "ydin". Ole varovainen, jotta käämi ei vahingoitu ja/tai altistu öljylle tai vedelle.

4. Liittimien tarkastus (työkalu ja akku)

Varmista, että liittimillä ei ole lastuja tai pölyä. Tarkista tarvittaessa ennen käyttöä, käytön aikana ja sen jälkeen.

HUOMAUTUS

Poista liittimille mahdollisesti kerääntynyt lika ja pöly. Muussa tapauksessa seurauksena voi olla toimintahäiriö.

5. Ulkopinnan puhdistus

Jos sähkötyökalussa on likaa, pyyhi se kuivalla, pehmeällä kankaalla tai saippuavedellä kostutetulla kankaalla. Älä käytä kloriittisia nesteitä, bensiiniä tai tinneriä, sillä ne sulattavat muovia.

6. Säilytys

Säilytä sähkötyökalua lasten ulottumattomissa paikassa, jonka lämpötila on alle 40°C.

HUOMAA

Litiumioniakkujen säilytys.

Varmista, että litiumioniakut on ladattu täyteen ennen varastoimista.

Akkujen pitkäaikainen varastointi (3 kuukautta tai enemmän), kun niiden lataustaso on alhainen, saattaa johtaa akkujen toimintakyvyn heikkenemiseen, lyhentää huomattavasti akun käyttöaikaa tai heikentää akkuja niin, etteivät ne pysty säilyttämään varausta.

Huomattavasti vähentynyt akun käyttöaika voidaan yrittää korjata lataamalla ja käyttämällä akun varaus loppuun toistuvasti 2–5 kertaa.

Jos akun käyttöikä on äärettömän lyhyt toistuvasta latauksesta ja käytöstä huolimatta, lopeta akun käyttö ja osta uusi akku.

HUOMAUTUS

Sähkötyökalujen käytössä ja huollossa on aina noudatettava kussakin maassa voimassa olevia turvaohjeita ja normeja.

Tärkeä huomautus HiKOKIn langattomien sähkötyökalujen akuista

Käytä aina jotain määrittämistämme alkuperäisistä akuista. Emme voi taata langattoman sähkötyökalumme turvallisuutta ja toimivuutta, jos sitä käytetään muun kuin määrittämämme akun kanssa tai jos akku puretaan ja sitä muunnellaan (esimerkiksi kennojen tai muiden sisäosien purku ja vaihto).

TAKUU

Myönnämme HiKOKI-sähkötyökaluille takuun lakisääteisten/kansallisten erityissääntelyiden mukaisesti. Tämä takuu ei kata vikoja tai vaurioita, jotka johtuvat vääränlaisesta tai kielletystä käytöstä tai normaalista kulumisesta. Reklamaatiotapauksessa lähetä purkamaton sähkötyökalu ja tämän käyttöoppaan lopussa oleva TAKUUSERTIFIKAATTI valtuutettuun HiKOKI-huoltokeskukseen.

Tietoja melusta

Meluarvot vastaavat normia EN 60745:

Tyypillinen A-painotteinen yhden tapahtuman äänipainearvo	L_{WA} , 1s, d = 92 dB
Tyypillinen A-painotteinen yhden tapahtuman äänitehopainearvo työasemalla	L_{pA} , 1s, d = 81 dB
Epävarmuus KpA: 3 dB	

Nämä arvot ovat työkaluun liittyviä arvoja eivätkä ne edusta käytössä syntyvää melua. Käytössä syntyvä melu riippuu esim. työympäristöstä, työstettävästä materiaalista, sen tuesta, meneillään olevien töiden lukumäärästä jne.

Työpaikan olosuhteista ja työstökappaleesta riippuen saattaa olla tarpeen suorittaa melun vaimennustoimenpiteitä, kuten esim. asettaa työstökappale ääntä vaimentavalle pinnalle, estää työstökappaleen tärinä kiinnittämällä tai peittämällä se jne.

Erikoistapauksissa on tarpeen käyttää kuulosuojaa.

Tietoja värinästä

Tyypillinen tärinäarvo standardin EN 60745: 2,6 m/s²

Epävarmuus K = 1,5 m/s²

Tämä arvo on työkaluun liittyvä arvo eikä se edusta vaikutusta käsiin-käsivarteen työkalua käytettäessä. Vaikutus käteen-käsivarteen riippuu esim. puristusvoimasta, kontaktipinnan painovoimasta, työskentelysuunnasta, energialähteen säädöstä, työstökappaleesta ja sen tuesta.

Ilmoitettu värähtelyn kokonaisarvo on mitattu standarditestausmenetelmien mukaisesti, ja sitä voidaan käyttää työkalujen vertaamiseen keskenään.

Sitä voidaan myös käyttää altistumisen alustavaan arviointiin.

VAROITUS

- Värähtelyemissioarvo voi poiketa annetusta kokonaisarvosta sähkötyökalun varsinaisen käytön aikana työkalun käyttötavasta riippuen.
- Määritä käyttäjää suojaavat varotoimet, jotka perustuvat arvioituu altistumiseen varsinaisessa käyttötilanteessa (ottaen huomioon käyttöjakson kaikki vaiheet, kuten hetket, jolloin työkalu on kytketty pois päältä ja jolloin se on tyhjäkäynnissä, varsinaisen käyntiajan lisäksi).

HUOMAA

Koska HiKOKI kehittää tuotteitaan jatkuvasti, tässä ilmoitetut tekniset tiedot voivat muuttua ilman ennakoilmoitusta.

Huoltotaulukko

TOIMENPIDE	SYY	KORJAAMINEN
Makasiinin ja syöttimen puhdistaminen.	Tukoksen estäminen.	Puhalla puhtaaksi päivittäin.
Painovivun pitäminen toimintakunnossa.	Käyttöturvallisuuden ja naulaimen tehokkaan toiminnan edistäminen.	Puhalla puhtaaksi päivittäin.

VIANMÄÄRITYS

Käytä alla olevaa tarkistustaulukkoa, jos työkalu ei toimi normaalisti. Jos tämä ei korjaa ongelmaa, ota yhteyttä jälleenmyyjäsi tai valtuutettuun HiKOKI-huoltokeskukseen.

ONGELMA	AIHEUTTAJA	KORJAUS
Virta ei kytkeydy päälle. Käynnistyy kerran, mutta sammuu itsestään.	Akun varaustila on heikko.	Lataa akku.
	Sähköiset osat vaurioituneet.	Vaihda laite ottamalla yhteyttä HiKOKIin.
	Ovatko painovipu ja/tai laukaisin PÄÄLLÄ?	Pidä painovipu ja laukaisin POISTA PÄÄLTÄ.
Naulain ei toimi (virtakytkin PÄÄLLÄ).	Eikö pysy toiminnassa yli 30 minuuttia? (Automaattinen virrankatkaisu)	Käynnistä laite pitämällä virtakytkin alhaalla yli 1 sekunnin ajan.
	Naulainta ei paineta riittävästi työkappaletta vasten.	Tartu naulaimen tukevasti ja paina se täysin työkappaletta vasten.
	Laukaisinta ei paineta riittävästi.	Paina laukaisinta lujasti.
	Painovivun PÄÄLLE kytkeytymisestä laukaisimen PÄÄLLE kytkeytymiseen (tai laukaisimen PÄÄLLE kytkeytymisestä painovivun PÄÄLLE kytkeytymiseen) kuluu yli kaksi sekuntia.	Varmista, että painovivun PÄÄLLE kytkeytymisestä laukaisimen PÄÄLLE kytkeytymiseen (tai laukaisimen PÄÄLLE kytkeytymisestä painovivun PÄÄLLE kytkeytymiseen) kuluu alle kaksi sekuntia.
	Estomekanismi käynnistynyt. (Ei nauloja, tai liian vähän kiinnikkeitä jäljellä) (pois lukien NT1850DBSL)	Lisää makasiiniin nauloja.
	Kytkimen lukkovipu (laukaisimen lukitus) on ON-asennossa.	Aseta kytkimen lukkovipu OFF-asentoon. (katso kuva 8)
Naulain toimii, mutta ei ammu nauloja.	Laite on liian kylmä (alle -5°C) tai liian kuuma. (LED-lamppu vilkkuu säännöllisesti, ja virtakytkin sammuu 10 sekunnin kuluttua.) (katso sivu 187)	Anna naulaimen joko jäähtyä tai lämmetä kunnolla.
	Sähköiset osat vaurioituneet.	Vaihda laite ottamalla yhteyttä HiKOKIin.
	Makasiini on likainen.	Puhalla ja pyyhi makasiini puhtaaksi.
	Tee tukostarkistus.	Poista tukos (katso kuva 26, 27).
	Iskuriterä kulunut tai vaurioitunut?	Vaihda laite ottamalla yhteyttä HiKOKIin.
Isku on heikko. Hidas työjakso.	Nauhajousi heikentynyt tai vaurioitunut?	Vaihda nauhajousi.
	Naulansyötin vahingoittunut?	Vaihda naulansyötin.
	Tarkista naulojen sopivuus.	Käytä vain suositeltuja nauloja.
	Tarkista naulaussyvyysäättimen asento.	Säädä kuvien 19, 20 mukaisesti.
	Iskuriterä kulunut?	Vaihda laite ottamalla yhteyttä HiKOKIin.
Ampuu liian syvälle.	Paineilman paine on laskenut.	Vaihda laite ottamalla yhteyttä HiKOKIin.
	Sähköiset osat vaurioituneet.	Vaihda laite ottamalla yhteyttä HiKOKIin.
	Tarkista naulaussyvyysäättimen asento.	Säädä kuvien 19, 20 mukaisesti.
	Iskuriterä kulunut tai vaurioitunut?	Vaihda laite ottamalla yhteyttä HiKOKIin.
Nauloja jää väliin. Jaksoittaissyöttö.	Tarkista naulojen sopivuus.	Käytä vain suositeltuja nauloja.
	Naulansyötin vahingoittunut?	Vaihda naulansyötin.
	Nauhajousi heikentynyt tai vaurioitunut?	Vaihda nauhajousi.
Naulatukoksia. Ammuttu naula on vääntynyt.	Iskuriterä kulunut tai vaurioitunut?	Vaihda laite ottamalla yhteyttä HiKOKIin.
	Tarkista naulojen sopivuus.	Käytä vain suositeltuja nauloja.
	Iskuriterä kulunut tai vaurioitunut?	Vaihda laite ottamalla yhteyttä HiKOKIin.

ΓΕΝΙΚΕΣ ΠΡΟΕΙΔΟΠΟΙΗΣΕΙΣ ΑΣΦΑΛΕΙΑΣ ΤΟΥ ΗΛΕΚΤΡΙΚΟΥ ΕΡΓΑΛΕΙΟΥ

⚠ ΠΡΟΕΙΔΟΠΟΙΗΣΗ

Διαβάστε όλες τις προειδοποιήσεις ασφαλείας και όλες τις οδηγίες.

Η μη τήρηση των προειδοποιήσεων και οδηγιών μπορεί να προκαλέσει ηλεκτροπληξία, πυρκαγιά και/ή σοβαρό τραυματισμό.

Φυλάξτε όλες τις προειδοποιήσεις και τις οδηγίες για μελλοντική αναφορά.

Ο όρος «ηλεκτρικό εργαλείο» στις προειδοποιήσεις αναφέρεται στο ηλεκτρικό εργαλείο (με καλώδιο) που λειτουργεί μέσω δικτύου ή στο ηλεκτρικό εργαλείο που λειτουργεί με μπαταρία (χωρίς καλώδιο).

1) Ασφάλεια χώρου εργασίας

a) Διατηρείτε το χώρο εργασίας καθαρό και καλά φωτισμένο.

Σε ακατάστατες ή σκοτεινές περιοχές μπορεί να προκληθούν ατυχήματα.

b) Μην χρησιμοποιείτε τα ηλεκτρικά εργαλεία σε περιβάλλον, στο οποίο μπορεί να προκληθεί έκρηξη, όπως παρουσία εύφλεκτων υγρών, αερίων ή σκόνης.

Τα ηλεκτρικά εργαλεία δημιουργούν σπινθήρες, οι οποίοι μπορεί να προκαλέσουν ανάφλεξη της σκόνης ή του καπνού.

c) Κρατήστε τα παιδιά και τους παρευρισκόμενους μακριά όταν χρησιμοποιείτε ένα ηλεκτρικό εργαλείο.

Αν κάτι σας αποσπάσει την προσοχή σας, υπάρχει κίνδυνος να χάσετε τον έλεγχο.

2) Διακόπτης ασφαλείας

a) Τα φics των ηλεκτρικών εργαλείων πρέπει να είναι κατάλληλα για τις πρίζες.

Μην τροποποιήσετε ποτέ το φics με οποιονδήποτε τρόπο.

Μη χρησιμοποιείτε φics που προσαρμογής με γειωμένα ηλεκτρικά εργαλεία.

Τα μη τροποποιημένα φics και οι κατάλληλες πρίζες μειώνουν τον κίνδυνο ηλεκτροπληξίας.

b) Αποφύγετε τη σωματική επαφή με γειωμένες επιφάνειες όπως σωλήνες, καλοριφέρ, ηλεκτρικές κουζίνες και ψυγεία.

Υπάρχει αυξημένος κίνδυνος ηλεκτροπληξίας όταν το σώμα σας είναι γειωμένο.

c) Μην εκθέτετε τα ηλεκτρικά εργαλεία στη βροχή ή σε συνθήκες υγρασίας.

Το νερό που εισέρχεται σε ένα ηλεκτρικό εργαλείο αυξάνει τον κίνδυνο ηλεκτροπληξίας.

d) Μην κακομεταχειρίζεστε το καλώδιο. Μη χρησιμοποιείτε ποτέ το καλώδιο για να μεταφέρετε, να τραβήξετε ή να βγάλετε από την πρίζα το ηλεκτρικό εργαλείο.

Κρατήστε το καλώδιο μακριά από θερμότητα, λάδι, κοφτερές γωνίες και κινούμενα μέρη. Τα κατεστραμμένα ή μπερδεμένα καλώδια αυξάνουν τον κίνδυνο ηλεκτροπληξίας.

e) Όταν χρησιμοποιείτε το εργαλείο σε εξωτερικό χώρο, χρησιμοποιήστε καλώδιο προέκτασης που προορίζεται για χρήση σε εξωτερικό χώρο.

Η χρήση ενός καλωδίου κατάλληλου για εξωτερικό χώρο μειώνει τον κίνδυνο ηλεκτροπληξίας.

f) Αν είναι αναπόφευκτη η λειτουργία ενός ηλεκτρικού εργαλείου σε χώρο με υγρασία, χρησιμοποιείτε διάταξη προστασίας ρεύματος διαρροής (RCD).

Η χρήση της RCD μειώνει τον κίνδυνο ηλεκτροπληξίας.

3) Προσωπική ασφάλεια

a) Να είστε σε ετοιμότητα, να έχετε την προσοχή σας στην εργασία που πραγματοποιείτε και να χρησιμοποιείτε την κοινή λογική όταν χρησιμοποιείτε ένα ηλεκτρικό εργαλείο.

Μη χρησιμοποιείτε ηλεκτρικά εργαλεία όταν είστε κουρασμένοι ή υπό την επίρρηση ναρκωτικών ουσιών, οινοπνεύματος ή φαρμάκων.

Μια στιγμή απροσεξίας κατά τη χρήση ενός ηλεκτρικού εργαλείου μπορεί να προκαλέσει σοβαρό προσωπικό τραυματισμό.

b) Χρησιμοποιείτε προσωπικό προστατευτικό εξοπλισμό. Φοράτε πάντα εξοπλισμό για την προστασία των ματιών.

Ο προστατευτικός εξοπλισμός, όπως μάσκα σκόνης, αντιολισθητικά υποδήματα ασφαλείας, προστατευτικό κράνος ή προστατευτικά της ακοής, που χρησιμοποιείται για ανάλογες συνθήκες μπορεί να μειώσει τους τραυματισμούς.

c) Αποφύγετε την ακούσια έναρξη. Βεβαιωθείτε ότι ο διακόπτης είναι σε θέση απενεργοποίησης πριν συνδέσετε τη συσκευή με πηγή ρεύματος και/ή τη θήκη της μπαταρίας, σικώστε ή μεταφέρετε το εργαλείο.

Η μεταφορά ηλεκτρικού εργαλείου με τα δάχτυλά σας στο διακόπτη ή η ηλεκτροδότηση ηλεκτρικού εργαλείου με ενεργοποιημένο το διακόπτη μπορεί να προκαλέσουν ατυχήματα.

d) Να αφαιρείτε τυχόν κλειδιά ρυθμιζόμενου ανοίγματος ή τα απλά κλειδιά πριν θέσετε σε λειτουργία το ηλεκτρικό εργαλείο.

Ένα απλό κλειδί ή ένα κλειδί ρυθμιζόμενου ανοίγματος που είναι προσαρτημένο σε περιστρεφόμενο εξάρτημα του ηλεκτρικού εργαλείου μπορεί να προκαλέσει προσωπικό τραυματισμό.

e) Μην τεντώνετε. Να πατάτε σταθερά και να διατηρείτε την ισορροπία σας.

Με αυτόν τον τρόπο μπορείτε να ελέγχετε καλύτερα το ηλεκτρικό εργαλείο σε μη αναμενόμενες καταστάσεις.

f) Να είστε τυμενίο κατάλληλα. Μη φοράτε φαρδιά ρούχα ή κοσμήματα. Να κρατάτε τα μαλλιά σας, τα ρούχα σας και τα γάντια σας μακριά από κινούμενα μέρη.

Τα φαρδιά ρούχα, τα κοσμήματα και τα μαλλιά μαλλιά μπορεί να πιαστούν σε κινούμενα μέρη.

g) Αν παρέχονται εξαρτήματα για τη σύνδεση συσκευών εξαγωγής και συλλογής σκόνης, να βεβαιώνετε ότι είναι συνδεδεμένα και χρησιμοποιούνται με το σωστό τρόπο.

Η χρήση συλλέκτη σκόνης μειώνει τους κινδύνους που προκαλούνται λόγω σκόνης.

4) Χρήση και φροντίδα ηλεκτρικών εργαλείων

a) Μην ασκείτε δύναμη στο ηλεκτρικό εργαλείο. Να χρησιμοποιείτε το ηλεκτρικό εργαλείο που είναι κατάλληλο για το είδος της εργασίας που εκτελείτε.

Το κατάλληλο ηλεκτρικό εργαλείο θα εκτελέσει την εργασία καλύτερα και με μεγαλύτερη ασφάλεια με τον τρόπο που σχεδιάστηκε.

b) Μη χρησιμοποιήσετε το ηλεκτρικό εργαλείο αν ο διακόπτης λειτουργίας δεν ανοίγει και δεν κλείνει.

Ένα ηλεκτρικό εργαλείο που δεν ελέγχεται από το διακόπτη λειτουργίας είναι επικίνδυνο και πρέπει να επισκευαστεί.

- c) Αποσυνδέετε το βύσμα από την πηγή ισχύος και/ή τη θήκη μπαταρίας από το ηλεκτρικό εργαλείο πριν προβείτε σε ρυθμίσεις, αλλαγή εξαρτήματος ή αποθήκευση του ηλεκτρικού εργαλείου.

Αυτά τα προληπτικά μέτρα ασφαλείας μειώνουν τον κίνδυνο λανθασμένης εκκίνησης του ηλεκτρικού εργαλείου.

- d) Αποθηκεύετε τα εργαλεία που δεν χρησιμοποιείτε μακριά από παιδιά και μην αφήνετε τα άτομα που δεν είναι εξοικειωμένα με το ηλεκτρικό εργαλείο ή με αυτές τις οδηγίες να χρησιμοποιούν το ηλεκτρικό εργαλείο.

Τα ηλεκτρικά εργαλεία είναι επικίνδυνα στα χέρια μη εκπαιδευμένων ατόμων.

- e) Πραγματοποιείτε συντήρηση στα ηλεκτρικά εργαλεία. Να ελέγχετε την ευθυγράμμιση τους ή το μπλοκάρισμα των κινούμενων μερών, τη θραύση των εξαρτημάτων και οποιαδήποτε άλλη κατάσταση που ενδέχεται να επηρεάσει τη λειτουργία του ηλεκτρικού εργαλείου.

Σε περίπτωση βλάβης, το ηλεκτρικό εργαλείο πρέπει να επισκευαστεί πριν χρησιμοποιηθεί. Πολλά ατυχήματα προκαλούνται από ηλεκτρικά εργαλεία που δεν έχουν συντηρηθεί σωστά.

- f) Διατηρείτε τα εργαλεία κοπής κοφτερά και καθαρά.

Τα κατάλληλα συντηρημένα εργαλεία κοπής με κοφτερές άκρες μπλοκάρουν πιο δύσκολα και ελέγχονται πιο εύκολα.

- g) Χρησιμοποιείτε το ηλεκτρικό εργαλείο, τα εξαρτήματα και τα μέρη κ.τ.λ. σύμφωνα με τις παρούσες οδηγίες, λαμβάνοντας υπόψη τις συνθήκες εργασίας και την εργασία που θα εκτελέσετε.

Η χρήση του ηλεκτρικού εργαλείου για εργασίες πέρα από εκείνες για τις οποίες προορίζεται, ενδέχεται να δημιουργήσει κινδύνους.

5) Εργαλείο μπαταρίας – χρήση και φροντίδα

- a) Η επαναφόρτιση να πραγματοποιείται μόνο μέσω του φορτιστή που έχει καθοριστεί από τον κατασκευαστή.

Ο φορτιστής που είναι κατάλληλος για ένα τύπο μπαταρίας, ενδέχεται να προκαλέσει κίνδυνο πυρκαγιάς όταν χρησιμοποιείται με άλλου τύπου θήκη μπαταριών.

- b) Χρησιμοποιήστε ηλεκτρικά εργαλεία μόνο με τις ειδικά καθορισμένες θήκες μπαταριών.

Η χρήση οποιουδήποτε άλλου τύπου θήκης μπαταριών ενδέχεται να προκαλέσει τραυματισμό και πυρκαγιά.

- c) Όταν η θήκη μπαταριών είναι εκτός χρήσης, φυλάξτε την μακριά από άλλα μεταλλικά αντικείμενα όπως συνδετήρες, νομίσματα, κλειδιά, καρφιά, βίδες ή άλλα μεταλλικά αντικείμενα μικρού μεγέθους που μπορούν να συνδέσουν τον ένα ακροδέκτη με τον άλλο.

Αν τοποθετήσετε μαζί τους ακροδέκτες μπαταριών ενδέχεται να προκληθούν εγκαυμάτα ή πυρκαγιά.

- d) Υπό καταχρηστικές συνθήκες, ενδέχεται να εκτοξευτεί υγρό από την μπαταρία. Αποφύγετε την επαφή. Σε περίπτωση επαφής με το υγρό από σφάλμα, ξεπλύνετε με νερό. Αν το υγρό έρθει σε επαφή με τα μάτια, ξεπλύνετε με νερό και ζητήστε ιατρική βοήθεια.

Το υγρό που εκτοξεύεται από την μπαταρία μπορεί να προκαλέσει ερεθισμό ή εγκαυμάτα.

6) Σέρβις

- a) Να δίνετε το ηλεκτρικό εργαλείο για σέρβις σε κατάλληλα εκπαιδευμένα άτομα και να χρησιμοποιείτε μόνο γνήσια ανταλλακτικά.

Με αυτόν τον τρόπο είστε σίγουροι για την ασφάλεια του ηλεκτρικού εργαλείου.

ΠΡΟΦΥΛΑΞΗ

Μακριά από τα παιδιά και τους αναπήρους.

Όταν δεν χρησιμοποιούνται, τα εργαλεία πρέπει να φυλάζονται μακριά από τα παιδιά και τους αναπήρους.

ΠΡΟΕΙΔΟΠΟΙΗΣΕΙΣ ΑΣΦΑΛΕΙΑΣ ΓΙΑ ΚΑΡΦΩΤΙΚΟ ΦΙΝΙΡΙΣΜΑΤΟΣ ΜΠΑΤΑΡΙΑΣ/ΚΑΡΦΩΤΙΚΟ ΑΚΕΦΑΛΩΝ ΚΑΡΦΙΩΝ ΜΠΑΤΑΡΙΑΣ

1. Να υποθέτετε πάντα ότι το εργαλείο περιέχει συνδετήρες.

Ο απρόσεκτος χειρισμός του καρφωτικού μπορεί να οδηγήσει σε απροσδόκητη εκτόξευση συνδετήρων και τραυματισμό.

2. Μη στρέψετε το εργαλείο προς το μέρος σας ή άλλο άτομο τριγύρω.

Η απροσδόκητη ενεργοποίηση θα εκτοξεύσει τον συνδετήρα προκαλώντας τραυματισμό.

3. Μην ενεργοποιείτε το εργαλείο εκτός αν το εργαλείο έχει τοποθετηθεί καλά στο προς κατεργασία τεμάχιο.

Εάν το εργαλείο δεν έρχεται σε επαφή με το προς κατεργασία τεμάχιο, ο συνδετήρας μπορεί να εκτραπεί από τον στόχο σας.

4. Αποσυνδέστε το εργαλείο από την πηγή τροφοδοσίας κατά την εμπλοκή συνδετήρα μέσα στο εργαλείο.

Κατά την αφαίρεση ενός συνδετήρα που έχει σφηνώσει, το καρφωτικό μπορεί να ενεργοποιηθεί κατά λάθος αν συνδεθεί στην πρίζα.

5. Δώστε προσοχή κατά την αφαίρεση ενός συνδετήρα που έχει σφηνώσει.

Ο μηχανισμός μπορεί να είναι υπό συμπίεση και ο συνδετήρας μπορεί να εκτοξευθεί με δύναμη κατά την προσπάθεια απεμπλοκής του.

6. Μη χρησιμοποιείτε αυτό το καρφωτικό για τη στερέωση ηλεκτρικών καλωδίων.

Δεν έχει σχεδιαστεί για εγκατάσταση ηλεκτρικών καλωδίων και μπορεί να προκληθεί ζημιά στη μόνωση των ηλεκτρικών καλωδίων, κι έτσι να προκληθεί κίνδυνος ηλεκτροπληξίας ή φωτιάς.

ΠΡΟΣΘΕΤΕΣ ΠΡΟΕΙΔΟΠΟΙΗΣΕΙΣ ΑΣΦΑΛΕΙΑΣ

1. Ασφαλής λειτουργία μέσω της σωστής χρήσης.

Αυτό το εργαλείο έχει σχεδιαστεί για την προώθηση καρφιών μέσα σε ξύλο και παρόμοια υλικά. Χρησιμοποιήστε το μόνο για τον προοριζόμενο σκοπό του.

2. Προσέξτε την ανάφλεξη και τις εκρήξεις.

Δεδομένου ότι σπινθήρες μπορεί να πετάνονται κατά τη διάρκεια του καρφώματος, είναι επικίνδυνο να χρησιμοποιείτε αυτό το εργαλείο κοντά σε βενρίκι, βαφή, βενζίνη, διαλυτικό, αέριο, κόλλες και παρόμοιες εύφλεκτες ουσίες, καθώς ενδέχεται να αναφλεγούν ή να εκραγούν. Σε καμία περίπτωση αυτό το εργαλείο δεν πρέπει να χρησιμοποιείται κοντά σε τέτοιο εύφλεκτο υλικό.

3. Να φοράτε πάντα προστατευτικά ματιών (προστατευτικά γυαλιά).



Όταν χρησιμοποιείτε το ηλεκτρικό εργαλείο, πάντα να φοράτε προστατευτικά ματιών, και διασφαλίστε ώστε τα παρευρισκόμενα άτομα να φοράνε, επίσης, προστατευτικά ματιών. Η πιθανότητα εισαγωγής θραυσμάτων των καρφιών που δεν έχουν χτυπηθεί σωστά, μέσα στο μάτι, αποτελεί απειλή

για την όραση. Τα προστατευτικά ματιών μπορούν να αγοραστούν σε οποιοδήποτε κατάστημα οπθιατρικών. Φοράτε πάντα προστατευτικά ματιών όταν χειρίζεστε αυτό το εργαλείο. Χρησιμοποιήστε είτε προστατευτικό ματιών είτε μάσκα ευρείας όρασης πάνω από τα γυαλιά οράσεως.

Οι εργοδότες θα πρέπει πάντα να επιβάλλουν τη χρήση εξοπλισμού προστασίας των ματιών.

4. Προστατέψτε τα αυτιά και το κεφάλι σας.

Όταν απασχολείστε με την εργασία καρφωμάτων, να φοράτε ωτοασπίδες και προστατευτικό για το κεφάλι. Επίσης, ανάλογα με την κατάσταση, βεβαιωθείτε ότι και τα παρηυρισκόμενα άτομα φορούν ωτοασπίδες και προστατευτικά για το κεφάλι.

5. Δώστε προσοχή σε εκείνους που εργάζονται κοντά σας.

Θα ήταν πολύ επικίνδυνο αν καρφιά, που δεν έχουν προωθηθεί σωστά, χτυπούσαν άλλα άτομα. Συνεπώς, προσέχετε πάντα για την ασφάλεια των ατόμων γύρω σας, όταν χρησιμοποιείτε αυτό το εργαλείο. Πάντα να βεβαιώνετε ότι το σώμα, τα χέρια ή τα πόδια κάποιου δεν είναι κοντά στην έξοδο των καρφιών.

6. Μην τοποθετείτε ποτέ την έξοδο των καρφιών προς το μέρος ατόμων.



Να υποθέτετε πάντα ότι το εργαλείο περιέχει συνδετήρες.

Αν η έξοδος των καρφιών είναι στραμμένη προς το μέρος ατόμων, σοβαρά ατυχήματα μπορεί να

προκληθούν αν εκφορτώσετε εσφαλμένα το εργαλείο. Στη σύνδεση και αποσύνδεση της μπαταρίας, κατά την τοποθέτηση καρφιών ή παρόμοιες λειτουργίες, βεβαιωθείτε ότι η έξοδος καρφιών δεν είναι στραμμένη προς το μέρος κάποιου (συμπεριλαμβανομένου και του εαυτού σας). Ακόμα και όταν δεν φορτώνονται καθόλου καρφιά, είναι επικίνδυνο να εκφορτώνετε το εργαλείο ενώ το στρέψετε προς κάποιο άτομο, οπότε ποτέ μην το επιχειρήσετε. Χωρίς φασαρία. Σεβαστείτε το εργαλείο ως εργαλείο εργασίας.

7. Ελέγξτε τον μοχλό ώθησης πριν από τη χρήση.

Βεβαιωθείτε ότι ο μοχλός ώθησης λειτουργεί σωστά. (Ο μοχλός ώθησης μπορεί να αποκαλείται «Ασφαλείας».) Ποτέ μη χρησιμοποιείτε το Καρφωτικό εκτός αν ο μοχλός ώθησης λειτουργεί κανονικά, διαφορετικά το Καρφωτικό θα μπορούσε να προωθηθεί απροσδόκητα έναν συνδετήρα. Μην αφαιρείτε ή επεμβαίνετε στον μοχλό ώθησης, διαφορετικά ο μοχλός ώθησης καθίσταται μη λειτουργικός.

8. Η επιλογή της μεθόδου ενεργοποίησης είναι σημαντική.

Διαβάστε και κατανοήστε την ενότητα με τίτλο «ΤΡΟΠΟΣ ΧΡΗΣΗΣ ΤΟΥ ΚΑΡΦΩΤΙΚΟΥ» στη σελίδα 206.

9. Πριν από τη χρήση αυτού του προϊόντος, βεβαιωθείτε ότι λειτουργεί σωστά σύμφωνα με το περιεχόμενο του τμήματος «Δοκιμή του καρφωτικού» στη σελίδα 205.

10. Χρησιμοποιείτε μόνο τα καθορισμένα καρφιά.

Ποτέ μη χρησιμοποιείτε καρφιά διαφορετικά από αυτά που καθορίζονται και περιγράφονται στις παρούσες οδηγίες.

11. Προσέχετε όταν συνδέετε την μπαταρία.

Όταν συνδέετε την μπαταρία και τοποθετείτε καρφιά, προκειμένου να μην ενεργοποιηθεί το εργαλείο κατά λάθος, βεβαιωθείτε για τα παρακάτω.

- Μην αγγίζετε τη σκανδάλη ενεργοποίησης.
- Μην επιτρέψετε στην κεφαλή εκτόξευσης να έρθει σε επαφή με οποιαδήποτε επιφάνεια.
- Διατηρείτε την κεφαλή εκτόξευσης προς τα κάτω. Θρηνεί αυστηρά τις παραπάνω οδηγίες, και φροντίζετε πάντα κανένα μέρος του σώματος, τα χέρια ή τα πόδια να μη βρίσκονται μπροστά από την έξοδο των καρφιών.

12. Μην τοποθετήσετε απρόσεκτα το δάχτυλό σας στη σκανδάλη ενεργοποίησης.

Μην τοποθετήσετε το δάχτυλό σας στη σκανδάλη ενεργοποίησης, εκτός από την περίπτωση που όντως καρφώνετε. Εάν μεταφέρετε αυτό το εργαλείο ή το δίσετε σε κάποιον έχοντας το δάχτυλό σας στη σκανδάλη ενεργοποίησης, μπορείτε να εκφορτώσετε κατά λάθος ένα καρφί και να προκαλέσετε ατύχημα.

13. Πιέστε σταθερά την έξοδο των καρφιών προς το υλικό που πρόκειται να καρφωθεί.

Όταν προωθείτε τα καρφιά προς τα μέσα, πιέστε σταθερά την έξοδο των καρφιών προς το υλικό που πρόκειται να καρφωθεί. Αν η έξοδος δεν εφαρμόσει σωστά, τα καρφιά μπορεί να ανασηκωθούν.

14. Κρατήστε τα χέρια και τα πόδια σας μακριά από την κεφαλή εκτόξευσης κατά τη χρήση.

Είναι πολύ επικίνδυνο ένα καρφί να χτυπήσει επάνω στα πόδια ή τα χέρια κατά λάθος.



15. Προσέχετε την ανάκρουση του εργαλείου.

Μην πλησιάζετε το πάνω μέρος του εργαλείου με το κεφάλι κ.λπ. κατά τη διάρκεια της λειτουργίας. Αυτό είναι επικίνδυνο, διότι το εργαλείο μπορεί να αναπηδήσει με βίαιο τρόπο αν το καρφί που προωθείται προς τα μέσα έρθει σε επαφή με ένα προηγούμενο καρφί ή έναν κόμπο στο ξύλο.

16. Προσέξτε τη διπλή εκτόξευση λόγω ανάκρουσης.

Αν ο μοχλός ώθησης αφεθεί ακούσια να έρθει ξανά σε επαφή με το προς κατεργασία τεμάχιο μετά την ανάκρουση, θα ωθηθεί ένας ανεπιθύμητος συνδετήρας. Προκειμένου να αποφευχθεί αυτή η ανεπιθύμητη διπλή εκτόξευση,

- Διακεκομμένη λειτουργία (εκτόξευση με σκανδάλη ενεργοποίησης)

1) Ρυθμίστε τη διάταξη μεταγωγής σε ΜΧΑΝΙΣΜΟ ΠΛΗΡΟΥΣ ΔΙΑΔΟΧΙΚΗΣ ΕΝΕΡΓΟΠΟΙΗΣΗΣ.

2) Τραβήξτε τη σκανδάλη ενεργοποίησης γρήγορα και σταθερά.

- Συνεχής λειτουργία (εκτόξευση με μοχλό ώθησης)

1) Μην πιέζετε το καρφωτικό στο ξύλο με υπερβολική δύναμη.

2) Απομακρύνετε το καρφωτικό από το ξύλο, κατά την ανάκρουση μετά τη στερέωση.

17. Προσέχετε όταν καρφώνετε λεπτές σανίδες ή γωνίες ξύλου.

Όταν καρφώνετε λεπτές σανίδες, τα καρφιά μπορεί να προεξέχουν από αυτές, όπως μπορεί επίσης να συμβαίνει όταν καρφώνετε γωνίες ξύλου λόγω της απόκλισης των καρφιών. Σε αυτές τις περιπτώσεις, να φροντίζετε πάντα να μην υπάρχει κανένας (και τα χέρια ή τα πόδια κ.λπ. κάποιου) πίσω από τη λεπτή σανίδα ή δίπλα στο ξύλο που πρόκειται να καρφώσετε.

18. Το ταυτόχρονο κάρφωμα και στις δύο πλευρές του ίδιου τοίχου είναι επικίνδυνο.

Σε καμία περίπτωση δεν πρέπει να γίνεται κάρφωμα και στις δύο πλευρές ενός τοίχου ταυτόχρονα. Αυτό θα ήταν πολύ επικίνδυνο, καθώς τα καρφιά θα μπορούσαν να περάσουν από τον τοίχο και να προκαλέσουν τραυματισμούς.

19. Μη χρησιμοποιείτε το ηλεκτρικό εργαλείο σε σκαλωσιές, σκάλες.

Το ηλεκτρικό εργαλείο δεν πρέπει να χρησιμοποιείται για συγκεκριμένη εφαρμογή ή παράδειγμα:

- όταν η αλλαγή μιας θέσης προώθησης σε άλλη περιλαμβάνει τη χρήση ικριωμάτων, σκαλοπατιών, σκαλών ή παρόμοιων κατασκευών, πχ. πηχάκια οροφής,
- κλείσιμο κουτιών ή κιβωτίων,
- τοποθέτηση συστημάτων ασφάλειας μεταφορών, πχ. σε οχήματα και φορτηγά βαγόνια

Ελληνικά

20. Αφαιρείτε όλους τους εναπομένοντες συνδετήρες και την μπαταρία από το καρφωτικό όταν:

- 1) κάνετε συντήρηση και επιθεώρηση,
- 2) κάνετε έλεγχο της σωστής λειτουργίας του μοχλού ώθησης και της σκανδάλης ενεργοποίησης,
- 3) τοποθέτηση ή αφαίρεση του καπακιού μύτης,
- 4) αποκαθιστάτε μια εμπλοκή,
- 5) δεν χρησιμοποιείται,
- 6) εγκαταλείπετε τον χώρο εργασίας,
- 7) μετακινείτε σε άλλη τοποθεσία, και
- 8) το δίνετε σε άλλο άτομο.

Ποτέ μην επιχειρήσετε να αποκαταστήσετε μια εμπλοκή ή να επισκευάσετε το Καρφωτικό, χωρίς να έχετε αφαιρέσει την μπαταρία και όλους τους εναπομένοντες συνδετήρες από το Καρφωτικό.

Το Καρφωτικό δεν πρέπει ποτέ να παραμένει αφύλακτο, αφού μπορεί να το χειριστούν άτομα μη εξοικειωμένα με το Καρφωτικό και να τραυματιστούν.

21. Να αφαιρένετε την μπαταρία από το καρφωτικό όταν:

- 1) το γεμίζετε με καρφιά,
- 2) περιστρέφετε τον ρυθμιστή.

22. Αποσυνδέστε την μπαταρία.

Κατά την προσάρτηση και αφαίρεση του καπακιού μύτης, να αποσυνδέετε την μπαταρία.

Κατά την προσάρτηση του καπακιού βοηθητικής μύτης στην άκρη του μοχλού ώθησης και κατά την αφαίρεσή του, φροντίστε να έχετε αποσυνδέσει την μπαταρία εκ των προτέρων. Είναι πολύ επικίνδυνο να εκτοξευθεί ένα καρφί κατά λάθος.

23. Το περιβάλλον λειτουργίας για αυτή τη συσκευή είναι μεταξύ 0°C και 40°C, οπότε βεβαιωθείτε ότι τη χρησιμοποιείτε εντός αυτού του εύρους θερμοκρασιών. Η συσκευή ενδέχεται να μην λειτουργήσει κάτω του 0°C ή άνω των 40°C.

24. Να φορτίζετε πάντα την μπαταρία σε θερμοκρασία περιβάλλοντος μεταξύ 0 – 40°C.

Οι θερμοκρασίες κάτω του 0°C θα προκαλέσουν υπερφόρτιση, κάτι το οποίο είναι επικίνδυνο. Η μπαταρία δεν μπορεί να φορτιστεί σε θερμοκρασία μεγαλύτερη των 40°C.

Η πιο κατάλληλη θερμοκρασία για φόρτιση είναι 20 – 25°C.

25. Μη χρησιμοποιείτε τον φορτιστή συνέχεια.

Όταν ολοκληρωθεί μια φόρτιση, αφήστε τον φορτιστή για περίπου 15 λεπτά πριν από την επόμενη φόρτιση της μπαταρίας.

26. Μην επιτρέπετε να εισέρχονται ξένα υλικά στην οπή σύνδεσης της επαναφορτιζόμενης μπαταρίας.

27. Ποτέ μην αποσυναρμολογείτε την επαναφορτιζόμενη μπαταρία ή τον φορτιστή.

28. Ποτέ μην βραχυκυκλώνετε την επαναφορτιζόμενη μπαταρία.

Η βραχυκύκλωση της μπαταρίας θα προκαλέσει μεγάλη τάση ηλεκτρικού ρεύματος και θα υπερθερμανθεί. Η μπαταρία θα καεί ή θα υποστεί βλάβη.

29. Μην απορρίπτετε την μπαταρία στην φωτιά.

Σε περίπτωση που η μπαταρία καεί ενδέχεται να εκραγεί.

30. Η χρήση μιας εξασθενημένης μπαταρίας θα προκαλέσει βλάβη στον φορτιστή.

31. Επιστρέψτε την μπαταρία στο κατάστημα από όπου την αγοράσατε μόλις η η ζωή της μπαταρίας μεταφόρτισης γίνει σύντομη για πρακτική χρήση. Μην απορρίπτετε την μπαταρία που έχει εξαντληθεί.

32. Μην εισάγετε κάποιο αντικείμενο στις εγκοπές αερισμού του φορτιστή.

Η τοποθέτηση μεταλλικών ή εύφλεκτων αντικειμένων στον φορτιστή θα προκαλέσει ηλεκτροπληξία ή βλάβη στον φορτιστή.

33. ΠΟΤΕ μην αφήσετε μαγνήτες (ή παρόμοιες μαγνητικές συσκευές) δίπλα στο καρφωτικό, επειδή το καρφωτικό διαθέτει μαγνητικό αισθητήρα στο εσωτερικό του.

Αν το κάνετε, θα προκληθεί βλάβη ή κίνδυνος τραυματισμού από δυσλειτουργία.

34. Αφήνετε τη μονάδα να ξεκουραστεί μετά από συνεχή εργασία.

35. Το ηλεκτρικό εργαλείο είναι εξοπλισμένο με ένα κύκλωμα προστασίας θερμοκρασίας για την προστασία του μοτέρ.

Η συνεχής εργασία ενδέχεται να προκαλέσει την αύξηση της θερμοκρασίας της μονάδας ενεργοποιώντας το κύκλωμα προστασίας θερμοκρασίας και σταματώντας αυτόματα τη λειτουργία. Αν συμβεί αυτό, αφήστε το ηλεκτρικό εργαλείο να κρυώσει πριν το χρησιμοποιήσετε ξανά.

36. Το προϊόν αυτό ενδέχεται να πάψει να λειτουργεί όταν ανιχνεύεται κάποια ανωμαλία. Σε αυτές τις περιπτώσεις, ελέγξτε τα στοιχεία που αναφέρονται στην ενότητα «ΕΠΙΛΥΣΗ ΠΡΟΒΛΗΜΑΤΩΝ» στη σελίδα 210.

37. Μην ασκήσετε ισχυρούς κραδασμούς στον πίνακα διακοπών ή τον σπάστε. Ενδέχεται να οδηγήσει σε πρόβλημα.

38. Μη χρησιμοποιείτε το προϊόν αν το εργαλείο ή οι πόλοι της μπαταρίας (βάση μπαταρίας) είναι παραμορφωμένοι.

Τοποθετώντας την μπαταρία θα μπορούσε να προκληθεί βραχυκύκλωμα που θα μπορούσε να οδηγήσει σε εκπομπή καπνού ή ανάφλεξη.

39. Διατηρείτε τους ακροδέκτες του εργαλείου (βάση μπαταρίας) χωρίς γρέζια και σκόνη.

○ Πριν από τη χρήση, βεβαιωθείτε ότι δεν έχουν συσσωρευτεί γρέζια και σκόνη στην περιοχή των πόλων.

○ Κατά τη διάρκεια της χρήσης, προσπαθήστε να μην πέσουν γρέζια ή σκόνη από το εργαλείο στην μπαταρία.

○ Κατά την αναστολή λειτουργίας ή μετά τη χρήση, μην αφήνετε το εργαλείο σε μέρος όπου μπορεί να εκτεθεί σε γρέζια ή σκόνη.

Διαφορετικά, θα μπορούσε να προκληθεί βραχυκύκλωμα που θα μπορούσε να οδηγήσει σε εκπομπή καπνού ή ανάφλεξη.

ΠΡΟΣΟΧΗ ΣΤΗΝ ΜΠΑΤΑΡΙΑ ΙΟΝΤΩΝ ΛΙΘΙΟΥ

Για την επέκταση του χρόνου διάρκειας της μπαταρίας ιόντων λιθίου υπάρχει η λειτουργία προστασίας που σταματά την ισχύ εξόδου.

Στις περιπτώσεις 1 έως 3 που περιγράφονται κατωτέρω, κατά τη χρήση του προϊόντος, ακόμη κι αν τραβάτε τον διακόπτη ο κινητήρας ενδέχεται να σταματήσει. Αυτό δεν είναι το πρόβλημα αλλά το αποτέλεσμα της λειτουργίας προστασίας.

1. Όταν η υπόλοιπη ισχύς της μπαταρίας που απομένει τελειώσει, ο κινητήρας σταματάει.

Στην περίπτωση αυτή θα πρέπει να τη φορτίσετε αμέσως.

2. Εάν υπάρχει υπερφόρτιση του εργαλείου ο κινητήρας ενδεχομένως να σταματήσει. Στην περίπτωση αυτή απελευθερώστε το διακόπτη του εργαλείου και περιορίστε την αιτία της υπερφόρτισης. Έπειτα από αυτό μπορείτε να το χρησιμοποιήσετε πάλι.

3. Αν η μπαταρία υπερθερμανθεί υπό το φόρτο εργασίας, η ισχύς της μπαταρίας μπορεί να σταματήσει.

Σε αυτήν την περίπτωση, διακόπτετε την χρήση της μπαταρίας και την αφήνετε να κρυώσει. Έπειτα από αυτό μπορείτε να το χρησιμοποιήσετε πάλι.

Παρακαλείστε, επίσης, να τηρείτε τις ακόλουθες προειδοποιήσεις και προφυλάξεις.

ΠΡΟΕΙΔΟΠΟΙΗΣΗ

Για να αποφύγετε τυχόν διαρροή της μπαταρίας, παραγωγή θερμότητας, εκτομπή καπνίου, έκρηξη ή ανάφλεξη, πρέπει να τηρείτε τις ακόλουθες προφυλάξεις.

- Βεβαιωθείτε ότι δεν συσσωρεύονται γρέζια και σκόνη στη μπαταρία.
- Κατά την εργασία σας βεβαιωθείτε ότι δεν πέφτει γρέζι και σκόνη στην μπαταρία.
- Βεβαιωθείτε ότι τυχόν γρέζια και σκόνες που πέφτουν πάνω στο ηλεκτρικό εργαλείο την ώρα που εργάζεστε με αυτό, δεν συσσωρεύονται στη μπαταρία.
- Μην αποθηκεύετε αχρησιμοποίητες μπαταρίες σε σημείο εκτεθειμένο σε γρέζια και σκόνη.
- Πριν να αποθηκεύσετε μία μπαταρία, απομακρύνετε τυχόν γρέζια και σκόνες που πιθανόν να έχουν κολλήσει πάνω της και μην την αποθηκεύετε μαζί με μεταλλικά μέρη (βίδες, καρφιά, κ.λπ.).
- Μην τρυπάτε τη μπαταρία με αιχμηρά αντικείμενα όπως καρφιά, μην χτυπάτε με σφυρί, μην πατάτε, πετάτε ή υποβάλετε σε ισχυρούς κραδασμούς τη μπαταρία.
- Μην χρησιμοποιείτε μία εμφανώς κατεστραμμένη ή παραμορφωμένη μπαταρία.
- Μην τοποθετείτε τη μπαταρία με λάθος τρόπο.
- Μην συνδέετε απευθείας σε ηλεκτρική πρίζα ή στην υποδοχή του αναπτήρα στα αυτοκίνητα.
- Μην χρησιμοποιείτε τη μπαταρία για χρήση άλλη πέραν της προβλεπόμενης.
- Σε περίπτωση που δεν ολοκληρώνεται επιτυχώς η διαδικασία φόρτισης της μπαταρίας ακόμα και όταν έχει περάσει ο καθορισμένος χρόνος επαναφόρτισης, σταματήστε αμέσως οποιαδήποτε προσπάθεια επαναφόρτισης.
- Η μπαταρία δεν πρέπει να εκτίθεται σε υψηλή θερμοκρασία ή υψηλή πίεση, όπως στην περίπτωση φούρνου μικροκυμάτων, ξηραντήρα ή δοχείου υψηλής πίεσης.
- Απομακρύνετε αμέσως από τη φωτιά σε περίπτωση διαρροής ή δυσσομίας.
- Μην χρησιμοποιείτε σε περιβάλλον με έντονο στατικό ηλεκτρισμό.
- Σε περίπτωση διαρροής της μπαταρίας, δυσσομίας, παραγωγής θερμότητας, αποχρωματισμού ή παραμόρφωσης της, ή σε περίπτωση που παρατηρηθεί κάτι μη φυσιολογικό κατά τη διάρκεια της χρήσης, της επαναφόρτισης ή της αποθήκευσης, αφαιρέστε αμέσως από τον εξοπλισμό ή από τον φορτιστή της μπαταρίας και σταματήστε να την χρησιμοποιείτε.
- Μη βυθίζετε την μπαταρία σε υγρό ή μην αφήνετε υγρά να εισχωρήσουν στο εσωτερικό της. Η εισροή αγωγίμων υγρών, όπως το νερό, μπορεί να προκαλέσει βλάβη που οδηγεί σε φωτιά ή έκρηξη. Αποθηκεύετε την μπαταρία σας σε δροσερό, ξηρό μέρος, μακριά από καύσιμα και εύφλεκτα αντικείμενα. Πρέπει να αποφεύγονται οι ατμόσφαιρες με διαβρωτικά αέρια.

ΠΡΟΣΟΧΗ

- Εάν διαρρεύσει υγρό από τη μπαταρία και έλθει σε επαφή με τα μάτια σας, μην τα τρίψετε, αλλά ξεπλύνετε πολύ καλά με καθαρό νερό όπως νερό βρύσης, και επικοινωνήστε αμέσως με κάποιο γιατρό. Διαφορετικά μπορεί το υγρό να προκαλέσει προβλήματα στα μάτια σας.
- Εάν διαρρεύσει υγρό στο δέρμα ή τα ρούχα σας, ξεπλύνετε καλά με καθαρό νερό, όπως νερό βρύσης, αμέσως. Υπάρχει το ενδεχόμενο να ερεθιστεί το δέρμα σας.
- Εάν διαπιστώσετε σκουριά, δυσσομία, υπερθέρμανση, αποχρωματισμό, παραμόρφωση, και/ή άλλες ανωμαλίες κατά τη χρήση της μπαταρίας για πρώτη φορά, μην την χρησιμοποιήσετε, αλλά επιστρέψτε την στον υπεύθυνο προμηθευτή ή πωλητή.

ΠΡΟΕΙΔΟΠΟΙΗΣΗ

Εάν ένα αγωγίμο ξένο υλικό τοποθετηθεί στον ακροδέκτη της μπαταρίας ιόντων λιθίου, η μπαταρία ενδέχεται να βραχυκυκλώσει, προκαλώντας φωτιά. Κατά την αποθήκευση της μπαταρίας ιόντων λιθίου να τηρείτε με ασφάλεια του κανονισμού που αναφέρονται στα παρακάτω περιεχόμενα.

- Μην τοποθετείτε αγωγίμο θραύσματα, καρφιά και καλώδια όπως σιδερένιο και χάλκινο σύρμα στην θήκη αποθήκευσης.
- Για να αποφύγετε την πιθανότητα κάποιου βραχυκυκλώματος, φορτώστε την μπαταρία στο εργαλείο και τοποθετήστε με ασφάλεια το κάλυμμα της μπαταρίας για αποθήκευση έως ότου καλύψετε τον αεραγωγό.

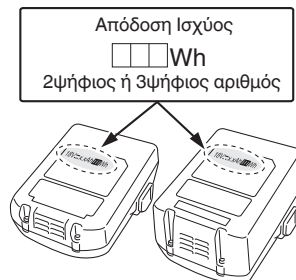
ΣΧΕΤΙΚΑ ΜΕ ΤΗ ΜΕΤΑΦΟΡΑ ΜΠΑΤΑΡΙΑΣ ΙΟΝΤΩΝ ΛΙΘΙΟΥ

Κατά τη μεταφορά μίας μπαταρίας ιόντων λιθίου, λάβετε τις ακόλουθες προφυλάξεις.

ΠΡΟΕΙΔΟΠΟΙΗΣΗ

Ειδοποιήστε την εταιρεία μεταφορών ότι μία συσκευασία περιέχει μπαταρία ιόντων λιθίου, ενημερώστε την εταιρεία για την απόδοση ισχύος της, και ακολουθήστε τις οδηγίες της εταιρείας μεταφορών κατά τη διευθέτηση της μεταφοράς.

- Οι μπαταρίες ιόντων λιθίου που υπερβαίνουν την απόδοση ισχύος των 100 Wh θεωρούνται στην κατάταξη εμπορευμάτων ως Επικίνδυνο Φορτίο και θα χρειαστείτε ειδικές διαδικασίες υποβολής αιτήσεων.
- Για μεταφορά στο εξωτερικό, πρέπει να συμμορφώνεστε με τους διεθνείς νόμους και κανόνες και κανονισμούς της χώρας προορισμού.



ΟΝΟΜΑΣΙΕΣ ΕΞΑΡΤΗΜΑΤΩΝ (Εικ. 1 – Εικ. 28)

①	Επάνω κάλυμμα
②	Σκανδάλη ενεργοποίησης
③	Λυχνία LED
④	Κεφαλή εκτόξευσης (έξοδος)
⑤	Μοχλός ώθησης
⑥	Τροφοδότης καρφίων (A)
⑦	Τροφοδότης καρφίων (B)
⑧	Γεμιστήρας
⑨	Άγκιστρο
⑩	Μπαταρία
⑪	Μοχλός κλειδώματος διακόπτη
⑫	Λαβή

Ελληνικά

13	Μοχλός διακοπής
14	Διακόπτης ένδειξης μπαταρίας
15	Ένδειξη μπαταρίας
16	Διακόπτης λειτουργίας καρφώματος
17	Ένδειξη ισχύος
18	Διακόπτης ισχύος
19	Ένδειξη λειτουργίας καρφώματος
20	Λωρίδα καρφίων
21	Κάλυμμα γεμιστήρα
22	Αυλάκωση
23	Πλάκα-οδηγός
24	Ρυθμιστής
25	Πλάκα αγκίστρωσης
26	Καπάκι μύτης
27	Μοχλός ασφάλισης
28	Πλάκα-οδηγός

	Διακόπτης ισχύος στη θέση OFF (Απενεργοποίηση)
	Διακόπτης ισχύος στη θέση ON (Ενεργοποίηση) Ένδειξη ισχύος: Ανάβει με πράσινο χρώμα
	Διακόπτης λειτουργίας καρφώματος
	ΜΗΧΑΝΙΣΜΟΣ ΠΛΗΡΟΥΣ ΔΙΑΔΟΧΙΚΗΣ ΕΝΕΡΓΟΠΟΙΗΣΗΣ
	Λειτουργία ΜΗΧΑΝΙΣΜΟΥ ΠΛΗΡΟΥΣ ΔΙΑΔΟΧΙΚΗΣ ΕΝΕΡΓΟΠΟΙΗΣΗΣ Ένδειξη λειτουργίας καρφώματος: Ανάβει με μπλε χρώμα
	ΜΗΧΑΝΙΣΜΟΣ ΕΝΕΡΓΟΠΟΙΗΣΗΣ ΕΠΑΦΗΣ
	Λειτουργία ΜΗΧΑΝΙΣΜΟΥ ΕΝΕΡΓΟΠΟΙΗΣΗΣ ΕΠΑΦΗΣ Ένδειξη λειτουργίας καρφώματος: Αναβοσβήνει με μπλε χρώμα
	Σκανδάλη ενεργοποίησης κλειδωμένη
	Σκανδάλη ενεργοποίησης ξεκλειδωτή
	Διακόπτης ένδειξης μπαταρίας
	Το υπόλοιπο φορτίο της μπαταρίας είναι αρκετό Ένδειξη μπαταρίας: Ανάβουν 2 λυχνίες LED (Κόκκινο χρώμα)
	Το υπόλοιπο φορτίο της μπαταρίας βρίσκεται περίπου στη μέση. Ένδειξη μπαταρίας: Ανάβει 1 LED (Κόκκινο χρώμα)
	Το υπόλοιπο φορτίο της μπαταρίας είναι σχεδόν άδειο. Επαναφορτίστε την μπαταρία το συντομότερο δυνατό. Ένδειξη μπαταρίας: Αναβοσβήνει 1 LED (Κόκκινο χρώμα)
	Επικοινωνήστε με τη HiKOKI για επιθεώρηση. Ένδειξη μπαταρίας: Αναβοσβήνουν 2 LED με πορτοκαλί χρώμα, μετά από 10 δευτερόλεπτα, απενεργοποιείται αυτόματα ο διακόπτης ισχύος.
	Ρηχή πλευρά
	Βαθιά πλευρά
	Προειδοποίηση
	Απαγορευμένη ενέργεια

ΣΥΜΒΟΛΑ

ΠΡΟΕΙΔΟΠΟΙΗΣΗ

Τα παρακάτω δείχνουν τα σύμβολα που χρησιμοποιούνται στο μηχάνημα. Βεβαιωθείτε ότι κατανοείτε τη σημασία τους πριν τη χρήση.

	NT 1865DBAL: Καρφωτικό φινιρίσματος μπαταρίας NT 1865DBSL: Καρφωτικό φινιρίσματος μπαταρίας NT 1850DBSL: Καρφωτικό ακέφαλων καρφίων μπαταρίας
	Για τον περιορισμό του κινδύνου τραυματισμού, ο χρήστης πρέπει να διαβάσει το εγχειρίδιο οδηγιών χρήσης.
	Μόνο για τις χώρες της ΕΕ Μην πετάτε τα ηλεκτρικά εργαλεία στον κάδο οικιακών απορριμμάτων! Σύμφωνα με την Ευρωπαϊκή Οδηγία 2012/19/ΕΕ περί ηλεκτρικών και ηλεκτρονικών συσκευών και την εφαρμογή της στην εθνική νομοθεσία, τα ηλεκτρικά εργαλεία που έχουν φτάσει στο τέλος της ζωής τους πρέπει να συλλέγονται ξεχωριστά και να επιστρέφονται για ανακύκλωση με τρόπο φιλικό προς το περιβάλλον.
	Συνεχές ρεύμα
	Ενεργοποίηση
	Απενεργοποίηση
	Αποσυνδέστε την μπαταρία
	Διακόπτης ισχύος

ΤΕΧΝΙΚΑ ΧΑΡΑΚΤΗΡΙΣΤΙΚΑ

1. Καρφωτικό φινιρίσματος μπαταρίας

Μοντέλο	NT1865DBAL		NT1865DBSL	
Μοτέρ	Συνεχούς ρεύματος χωρίς ψήκτρες		Συνεχούς ρεύματος χωρίς ψήκτρες	
Εφαρμόσιμο καρφί	15 Ga (Γωνία: 34°)		16 Ga	
Μήκος εφαρμόσιμου καρφιού	32 mm έως 65 mm		25 mm έως 65 mm	
Μέγιστη φόρτωση καρφιών [καρφιά]	100 (1 λωρίδα)		100 (2 λωρίδες)	
Λειτουργία εκτόξευσης	Πλήρως διαδοχική/Επαφής (Επιλέξιμη)		Πλήρως διαδοχική/Επαφής (Επιλέξιμη)	
Ταχύτητα κύκλου	[καρφιά/δευτερόλεπτο]	3 (Διακεκομμένη)		3 (Διακεκομμένη)
Μπαταρία	Μοντέλο	BSL1830C		BSL1830C
	Τύπος	Μπαταρία ιόντων λιθίου		
	Τάση	Συνεχές ρεύμα 18 V κιλιά		
Βάρος*	3,5 – 4,1 κιλά		3,4 – 4,0 κιλά	
Διαστάσεις Ύψος × Μήκος × Πλάτος	344 mm × 300 mm × 104 mm		315 mm × 298 mm × 104 mm	315 mm × 310 mm × 104 mm

* Σύμφωνα με τη Διαδικασία ΕΡΤΑ 01/2014

Ανάλογα με την προσαρτημένη μπαταρία. Το μεγαλύτερο βάρος μετράται μαζί με BSL36B18 (πωλείται ξεχωριστά).

2. Καρφωτικό ακέφαλων καρφιών μπαταρίας

Μοντέλο	NT1850DBSL	
Μοτέρ	Συνεχούς ρεύματος χωρίς ψήκτρες	
Εφαρμόσιμο καρφί	18 Ga	
Μήκος εφαρμόσιμου καρφιού	16 mm έως 50 mm	
Μέγιστη φόρτωση καρφιών [καρφιά]	100 (1 λωρίδα)	
Λειτουργία εκτόξευσης	Πλήρως διαδοχική/Επαφής (Επιλέξιμη)	
Ταχύτητα κύκλου	[καρφιά/δευτερόλεπτο]	3 (Διακεκομμένη)
Μπαταρία	Μοντέλο	BSL1830C
	Τύπος	Μπαταρία ιόντων λιθίου
	Τάση	Συνεχές ρεύμα 18 V
Βάρος*	3,3 – 4,0 κιλά	
Διαστάσεις Ύψος × Μήκος × Πλάτος	323 mm × 298 mm × 104 mm	323 mm × 310 mm × 104 mm

* Σύμφωνα με τη Διαδικασία ΕΡΤΑ 01/2014

Ανάλογα με την προσαρτημένη μπαταρία. Το μεγαλύτερο βάρος μετράται μαζί με BSL36B18 (πωλείται ξεχωριστά).

3. Φορτιστής μπαταρίας

Μοντέλο	UC18YFSL	UC18YML2
Τάση φόρτισης	Συνεχές ρεύμα 14,4 – 18 V	
Βάρος	0,5 κιλά	0,7 κιλά

ΣΗΜΕΙΩΣΗ

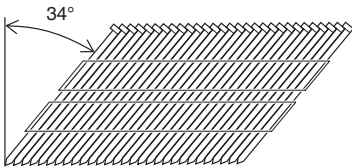
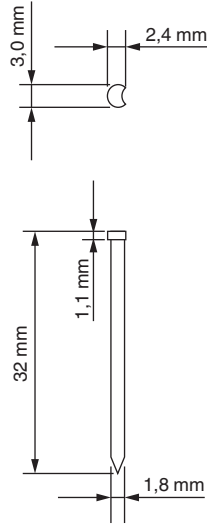

Εξαιτίας του συνεχιζόμενου προγράμματος έρευνας και ανάπτυξης της HiKOKI, τα τεχνικά χαρακτηριστικά που αναφέρονται εδώ μπορούν να αλλάξουν χωρίς προηγούμενη ειδοποίηση.

ΕΠΙΛΟΓΗ ΚΑΡΦΙΩΝ

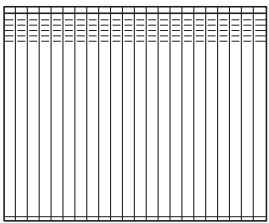
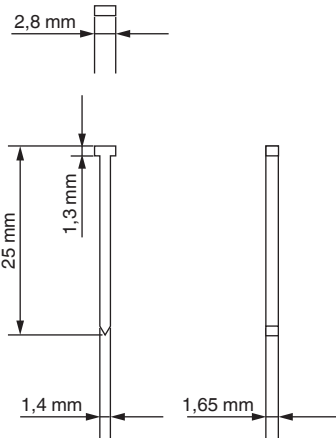

Μόνο τα καρφιά που παρουσιάζονται στον παρακάτω πίνακα, μπορούν να προωθηθούν με αυτό το Καρφωτικό.

Διαστάσεις καρφιών

<NT1865DBAL>

	Ελάχ.	Μέγ.
<p>Καρφιά φινιρίσματος μεγέθους 15 (Γωνία: 34°)</p> 		

<NT1865DBSL>

	Ελάχ.	Μέγ.
<p>Καρφιά φινιρίσματος μεγέθους 16 (ίσια)</p> 		

<NT1850DBSL>

Ακέφαλα καρφιά μεγέθους 18 (ίσια)	Ελάχ.	Μέγ.
Εξαιρούνται τα νύχια μήκους 35 mm		

ΒΑΣΙΚΑ ΕΞΑΡΤΗΜΑΤΑ

Εκτός από την κύρια μονάδα (1 μονάδα), η συσκευασία περιέχει τα εξαρτήματα που αναφέρονται στην σελίδα 378.

Τα βασικά εξαρτήματα υπόκεινται σε αλλαγή χωρίς προειδοποίηση.

ΕΦΑΡΜΟΓΕΣ

<NT1865DBAL, NT1865DBSL>

- Κάρφωμα ως διαδικασία τελικής επεξεργασίας για περιοχές γύρω από τις πόρτες, τα παράθυρα καθώς και μπουρνούρες.
- Ασφάλιση του κάτω μέρους των συρταριών. Για διάφορα πλαίσια και ερμάρια.

<NT1850DBSL>

- Συναρμολόγηση ερμαριού και κάδρου, διακοσμητικό επίπλων.
- Τοποθέτηση και χύτευση σε ακίνητη και κινητή οικία.

ΦΟΡΤΙΣΗ

Πριν χρησιμοποιήσετε το ηλεκτρικό εργαλείο, φορτίστε την μπαταρία ως ακολούθως.

1. Συνδέστε την παροχή ισχύος. (Εικ. 3)

Αλλαγή της μπαταρίας από την παροχή ισχύος εναλλασσόμενου ρεύματος

- Συνδέστε το καλώδιο ρεύματος του φορτιστή στο βύσμα.
Όταν συνδέετε το βύσμα του φορτιστή στην υποδοχή, η δοκιμαστική λάμπα θα αναβοσβήνει με κόκκινο (σε διαστήματα 1 δευτερολέπτου).

ΠΡΟΣΟΧΗ

Μην χρησιμοποιείτε το ηλεκτρικό καλώδιο εάν είναι κατεστραμμένο. Αντικαταστήστε το άμεσα.

Φόρτιση μπαταρίας από παροχή ισχύος DC 12V σε αυτοκίνητο (UC18YML2)

- Στερεώστε τον φορτιστή μπαταρίας στο σημείο με ασφάλεια στο αυτοκίνητο.
Χρησιμοποιήστε την λωρίδα που παρέχεται με τον φορτιστή μπαταρίας προκειμένου να τον στερεώσετε στο σημείο και να αποφύγετε την κατά λάθος μετακίνησή του. (Βλέπε **Εικ. 28**)

ΠΡΟΣΟΧΗ

Μην τοποθετείτε τον φορτιστή μπαταρίας ή την μπαταρία κάτω από το κάθισμα του οδηγού. Στερεώστε τον φορτιστή μπαταρίας με ασφάλεια στο σημείο προκειμένου να αποφύγετε την κατά λάθος μετακίνησή του καθώς αυτό ενδέχεται να προκαλέσει κάποιο ατύχημα.



Εικ. 28

- Εισάγετε το βύσμα σύνδεσης αναπτήρα στην υποδοχή του αναπτήρα.
Εάν η πρίζα είναι χαλαρή και βγαίνει από την υποδοχή αναπτήρα, επιδιορθώστε την υποδοχή. Εάν η υποδοχή είναι ελαττωματική, επικοινωνήστε με τον αντιπρόσωπο του αυτοκινήτου της περιοχής σας. Η συνεχής χρήση της υποδοχής ενδέχεται να προκαλέσει κάποιο ατύχημα λόγω υπερθέρμανσης.
- 2. Τοποθετήστε την μπαταρία στο φορτιστή.**
Τοποθετήστε σταθερά την μπαταρία στον φορτιστή μέχρι να είναι διακριτή η γραμμή, όπως φαίνεται στην **Εικ. 3**.
Οι γραμμές δεν εμφανίζονται στο UC18YFSL. Βεβαιωθείτε ότι η μπαταρία έχει εφαρμοστεί σταθερά στη θέση της.
- 3. Φόρτιση**
Όταν εισάγετε την μπαταρία στο φορτιστή, θα αρχίσει η φόρτιση και η δοκιμαστική λάμπα θα ανάβει συνεχώς με κόκκινο χρώμα.
Όταν η μπαταρία φορτιστεί πλήρως, η δοκιμαστική λάμπα θα αναβοσβήνει με κόκκινο. (με διαλείμματα 1 δευτερολέπτου) (Βλέπε **Πίνακας 1**)
- (1) Ένδειξη δοκιμαστικής λάμπας
Οι ενδείξεις της δοκιμαστικής λάμπας θα είναι όπως εμφανίζονται στον **Πίνακα 1**, σύμφωνα με την κατάσταση του φορτιστή ή της επαναφορτιζόμενης μπαταρίας.

Πίνακας 1

<UC18YFSL>

Ενδείξεις δοκιμαστικής λάμπας				
Δοκιμαστική λάμπα (κόκκινη)	Πριν τη φόρτιση	Αναβοσβήνει	Ανάβει για 0,5 δευτερόλεπτα. Δεν ανάβει για 0,5 δευτερόλεπτα. (κλειστό για 0,5 δευτερόλεπτα)	
	Κατά τη φόρτιση	Ανάβει	Ανάβει συνεχώς	
	Ολοκλήρωση φόρτισης	Αναβοσβήνει	Ανάβει για 0,5 δευτερόλεπτα. Δεν ανάβει για 0,5 δευτερόλεπτα. (κλειστό για 0,5 δευτερόλεπτα)	
	Αναμονή υπερθέρμανσης	Αναβοσβήνει	Ανάβει για 1 δευτερόλεπτα. Δεν ανάβει για 0,5 δευτερόλεπτα. (κλειστό για 0,5 δευτερόλεπτα)	Υπερθέρμανση μπαταρίας. Μη δυνατότητα φόρτισης. (Η φόρτιση θα ξεκινήσει όταν η μπαταρία κρυώσει)
	Φόρτιση αδύνατη	Τρεμοπαίζει	Ανάβει για 0,1 δευτερόλεπτα. Δεν ανάβει για 0,1 δευτερόλεπτα. (κλειστό για 0,1 δευτερόλεπτα) ■ ■ ■ ■ ■ ■ ■ ■ ■ ■ ■ ■ ■ ■ ■ ■	Δυσλειτουργία στην μπαταρία ή στο φορτιστή

<UC18YML2>

Ενδείξεις δοκιμαστικής λάμπας				
Η δοκιμαστική λάμπα ανάβει ή αναβοσβήνει με κόκκινο χρώμα.	Πριν τη φόρτιση	Αναβοσβήνει	Ανάβει για 0,5 δευτερόλεπτα. Δεν ανάβει για 0,5 δευτερόλεπτα. (κλειστό για 0,5 δευτερόλεπτα)	
	Κατά τη φόρτιση	Ανάβει	Ανάβει συνεχώς	
	Ολοκλήρωση φόρτισης	Αναβοσβήνει	Ανάβει για 0,5 δευτερόλεπτα. Δεν ανάβει για 0,5 δευτερόλεπτα. (κλειστό για 0,5 δευτερόλεπτα)	
	Φόρτιση αδύνατη	Τρεμοσβήνει	Ανάβει για 0,1 δευτερόλεπτα. Δεν ανάβει για 0,1 δευτερόλεπτα. (κλειστό για 0,1 δευτερόλεπτα) ■ ■ ■ ■ ■ ■ ■ ■ ■ ■ ■ ■ ■ ■ ■ ■	Δυσλειτουργία στην μπαταρία ή στο φορτιστή
Η δοκιμαστική λάμπα ανάβει ή αναβοσβήνει με πράσινο χρώμα.	Αναμένεται υπερθέρμανση μπαταρίας	Ανάβει	Ανάβει συνεχώς	Υπερθέρμανση μπαταρίας. Μη δυνατότητα φόρτισης. (Η φόρτιση θα ξεκινήσει όταν η μπαταρία κρυώσει)
	Αδύνατη η φόρτιση με την παροχή ισχύος του αυτοκινήτου	Αναβοσβήνει	Ανάβει για 0,5 δευτερόλεπτα. Δεν ανάβει για 0,5 δευτερόλεπτα. (κλειστό για 0,5 δευτερόλεπτα)	Η παροχή DC 12 V είναι ελαττωματική

ΣΗΜΕΙΩΣΗ: Όταν βρίσκεστε σε κατάσταση αναμονής για να κρυώσει η μπαταρία, το UC18YML2 ψύχει την μπαταρία που έχει υπερθερμανθεί με τον ανεμιστήρα ψύξης. (Ωστόσο, ο ανεμιστήρας ψύξης δεν λειτουργεί κατά την φόρτιση της μπαταρίας με την παροχή ισχύος DC 12 V του αυτοκινήτου.)

(2) Σχετικά με τις θερμοκρασίες της επαναφορτιζόμενης μπαταρίας
Οι θερμοκρασίες για τις επαναφορτιζόμενες μπαταρίες είναι αυτές που εμφανίζονται στον Πίνακα 2, και οι μπαταρίες που είναι ζεστές θα πρέπει να είναι κρύωσουν για κάποιο διάστημα προτού επαναφορτιστούν.

Πίνακας 2 Εύρη θερμοκρασιών επαναφόρτισης μπαταριών

Επαναφορτιζόμενες μπαταρίες	Θερμοκρασίες στις οποίες η μπαταρία μπορεί να φορτιστεί
BSL1830C, BSL1850	0°C – 50°C

- (3) Σχετικά με τον χρόνο επαναφόρτισης
Ανάλογα με τον συνδυασμό του φορτιστή και των μπαταριών, ο χρόνος φόρτισης θα κυμαίνεται όπως παρατίθεται στον **Πίνακα 3**.

Πίνακας 3 Χρόνος επαναφόρτισης (στους 20°C) (παροχή εναλλασσόμενου ρεύματος/παροχή συνεχούς ρεύματος 12 V (εντός αυτοκινήτου))

Φορτιστής Μπαταρία	UC18YFSL	UC18YML2
BSL1830C	Περίπου 45 λεπτά	Περίπου 45/120 λεπτά
BSL1850	Περίπου 75 λεπτά	Περίπου 75/200 λεπτά

ΣΗΜΕΙΩΣΗ

Ο χρόνος φόρτισης ενδέχεται να διαφέρει ανάλογα με τη θερμοκρασία του περιβάλλοντος και την τάση της πηγής ρεύματος.

<UC18YML2>

Ειδικότερα, η χρήση μιας πηγής ρεύματος DC 12V του αυτοκινήτου ενδέχεται να απαιτεί μεγαλύτερο χρόνο φόρτισης σε υψηλές θερμοκρασίες.

ΠΡΟΣΟΧΗ

Εάν ο φορτιστής μπαταρίας χρησιμοποιείται συνεχώς, θα υπερθερμανθεί και ενδεχομένως να προκαλέσει κάποια βλάβη. Όταν ολοκληρωθεί η φόρτιση, αφήστε τον φορτιστή να ξεκουραστεί για 15 λεπτά μέχρι την επόμενη φόρτιση.

4. **Αποσυνδέστε το καλώδιο ρεύματος του φορτιστή από το βύσμα ή την υποδοχή αναπτήρα.**

5. **Κρατήστε τον φορτιστή σταθερά και τραβήξτε τη μπαταρία.**

ΣΗΜΕΙΩΣΗ

Βεβαιωθείτε ότι έχετε αφαιρέσει την μπαταρία από τον φορτιστή πριν την χρήση και στην συνέχεια φυλάξτε την κατάλληλα.

Σχετικά με την ηλεκτρική εκκένωση σε περίπτωση νέων μπαταριών κλπ.

Εφόσον η εσωτερική χημική ουσία των νέων μπαταριών και των μπαταριών που δεν έχουν χρησιμοποιηθεί για μεγάλο χρονικό διάστημα δεν δραστηριοποιείται, η ηλεκτρική εκκένωση μπορεί να είναι χαμηλή όταν τις χρησιμοποιείτε για πρώτη και δεύτερη φορά. Αυτό αποτελεί προσωρινό φαινόμενο, και ο φυσιολογικός χρόνος που απαιτείται για την επαναφόρτιση θα αποκατασταθεί με την επαναφόρτιση των μπαταριών 2 – 3 φορές.

Πώς να κάνετε τις μπαταρίες να αποδίδουν για περισσότερο χρόνο.

- (1) Επαναφορτίστε τις μπαταρίες πριν εξαντληθούν εντελώς.
Όταν νιώσετε ότι η ισχύς του εργαλείου γίνεται πιο αδύναμη, σταματήστε τη χρήση του εργαλείου και επαναφορτίστε την μπαταρία του. Αν συνεχίσετε να χρησιμοποιείτε το εργαλείο και να εκκελώνετε το ηλεκτρικό ρεύμα, η μπαταρία μπορεί να πάθει ζημιά και η διάρκεια ζωής της να μειωθεί.
- (2) Αποφεύγετε την επαναφόρτιση σε υψηλές θερμοκρασίες.
Μία επαναφορτιζόμενη μπαταρία μπορεί να είναι ζεστή αμέσως μετά τη χρήση. Εάν αυτή η μπαταρία επαναφορτιστεί αμέσως μετά τη χρήση, η εσωτερική χημική ουσία θα φθαρεί και η διάρκεια ζωής της μπαταρίας θα μειωθεί. Αφήστε την μπαταρία και φορτίστε την αφού έχει κρυώσει για λίγο.

ΠΡΟΣΟΧΗ

- Εάν η μπαταρία έχει φορτιστεί όσο είναι ζεστή λόγω του ότι έχει εκτεθεί για μεγάλο διάστημα σε ένα μέρος με άμεση επαφή με το φως του ήλιου ή λόγω πρόσφατης χρήσης της μπαταρίας, η δοκιμαστική λάμπα του φορτιστή ανάβει για 1 δευτερόλεπτο, δεν ανάβει για 0,5 δευτερόλεπτα (κλειστή για 0,5 δευτερόλεπτα) (UC18YFSL) ή ανάβει σε πράσινο χρώμα. (UC18YML2). Σε μια τέτοια περίπτωση, αφήστε πρώτα την μπαταρία να κρυώσει και ύστερα ξεκινήστε να την φορτίζετε.
- Όταν η δοκιμαστική λάμπα αναβοσβήνει στο κόκκινο (σε διαστήματα 0,2 δευτερόλεπτων), ελέγξτε για την παρουσία ξένων αντικειμένων στην υποδοχή σύνδεσης του φορτιστή μπαταρίας και αν υπάρχουν αφαιρέστε τα. Αν δεν υπάρχουν ξένα αντικείμενα, είναι πιθανό η μπαταρία ή ο φορτιστής να δυσλειτουργούν. Πηγαινήτε τα στο πλησιέστερο Κέντρο Εξυπηρέτησης.
- Επειδή ο ενσωματωμένος μικροϋπολογιστής χρειάζεται περίπου 3 δευτερόλεπτα για να επιβεβαιώσει ότι η μπαταρία που φορτίζεται με τον UC18YFSL/UC18YML2 έχει αφαιρεθεί, περιμένετε τουλάχιστον 3 δευτερόλεπτα πριν να την εισάγετε εκ νέου για να συνεχίσετε τη φόρτιση. Αν η μπαταρία νεισθαθεί εκ νέου μέσα σε 3 δευτερόλεπτα, ενδέχεται να μη φορτιστεί σωστά.
- Ελέγξτε την τάση της πηγής ισχύος του αυτοκινήτου όταν η πιλοτική λάμπα αναβοσβήνει με πράσινο χρώμα (σε διαστήματα 1 δευτερόλεπτος). (UC18YML2) Εάν η τάση είναι 12 V ή χαμηλότερη, σημαίνει ότι η μπαταρία του αυτοκινήτου έχει εξασθενήσει και δεν μπορεί να φορτιστεί.
- Εάν η δοκιμαστική λάμπα δεν αναβοσβήνει με κόκκινο (κάθε δευτερόλεπτο) ακόμη κι αν το καλώδιο φορτιστή ή το βύσμα σύνδεσης αναπτήρα συνδέεται με το ρεύμα, δείχνει ότι το κύκλωμα προστασίας του φορτιστή ενδέχεται να ενεργοποιηθεί.
Αφαιρέστε το καλώδιο ή βύσμα από το ρεύμα και στην συνέχεια συνδέστε το ξανά μετά από 30 δευτερόλεπτα περίπου. Εάν παρόλαυτά η δοκιμαστική λάμπα δεν αναβοσβήνει με κόκκινο (κάθε δευτερόλεπτο), μεταφέρετε τον φορτιστή σε κάποιο Εξουσιοδοτημένο Κέντρο Εξυπηρέτησης της HiKOKI.

ΠΡΙΝ ΑΠΟ ΤΗ ΧΡΗΣΗ

Ενέργεια	Εικόνα	Σελίδα
Αφαίρεση και τοποθέτηση της μπαταρίας	2	379
Φόρτιση	3	380
Επιλογή εξαρτημάτων	—	385

1. Τρόπος χειρισμού πίνακα λειτουργιών

- (1) Διακόπτης ισχύος στη θέση ON (Ενεργοποίηση) (Βλέπε **Εικ. 4**)

Στην κατάσταση «Διακόπτης ισχύος στη θέση OFF (Απενεργοποίηση)», πιέστε παρατεταμένα τον διακόπτη ισχύος για περισσότερο από 1 δευτερόλεπτο και η ένδειξη ισχύος θα ανάψει με Πράσινο χρώμα.

ΣΗΜΕΙΩΣΗ

Μην πιέζετε τον μοχλό ώθησης καυή τραβάτε τη σκανδάλη ενεργοποίησης όσο θέτετε τον διακόπτη ισχύος στη θέση ON (Ενεργοποίηση).

Αυτό θα αποτρέψει την ενεργοποίηση του διακόπτη ισχύος.

[Αυτόματη απενεργοποίηση]

Όταν είναι ενεργοποιημένη η ισχύς αλλά το Καρφωτικό δεν χρησιμοποιείται για 30 λεπτά, το Καρφωτικό απενεργοποιείται αυτόματα. Για να το ενεργοποιήσετε ξανά, πατήστε τον διακόπτη ισχύος.

Ελληνικά

ΠΡΟΕΙΔΟΠΟΙΗΣΗ

Ποτέ μην αφήνετε το Καρφωτικό με την ισχύ ενεργοποιημένη. Αυτό μπορεί να προκαλέσει ατύχημα.
(2) Διακόπτης ισχύος στη θέση OFF (Απενεργοποίηση) (Βλέπε **Εικ. 4**)

Στην κατάσταση «Διακόπτης ισχύος στη θέση ON (Ενεργοποίηση)», πιέστε παρατεταμένα τον διακόπτη ισχύος για περισσότερο από 1 δευτερόλεπτο και η ένδειξη ισχύος θα σβήσει.

Στην κατάσταση «Διακόπτης ισχύος στη θέση ON (Ενεργοποίηση)», είναι ενεργές οι παρακάτω λειτουργίες.

(3) Επιλέξτε τη Λειτουργία καρφώματος (Πλήρης διαδοχική ενεργοποίηση/Ενεργοποίηση επαφής) Μετά την ενεργοποίηση του διακόπτη ισχύος, να ορίζετε πάντα τη Λειτουργία πλήρους διαδοχικής ενεργοποίησης ως αρχική. (Η ένδειξη λειτουργίας καρφώματος ανάβει με μπλε χρώμα.) (Βλέπε **Εικ. 5**) Για να αλλάξετε τη λειτουργία καρφώματος, πιέστε μία φορά τον Διακόπτη λειτουργίας καρφώματος. Κάθε φορά που πιέζετε τον διακόπτη, η λειτουργία θα αλλάζει μεταξύ «Πλήρης διαδοχική» και «Επαφής». (Βλέπε **Εικ. 6**)




Φωτισμός (Μπλε χρώμα):

ΜΗΧΑΝΙΣΜΟΣ ΠΛΗΡΟΥΣ ΔΙΑΔΟΧΙΚΗΣ ΕΝΕΡΓΟΠΟΙΗΣΗΣ,

Αναβοσβήνει (Μπλε χρώμα):

ΜΗΧΑΝΙΣΜΟΣ ΕΝΕΡΓΟΠΟΙΗΣΗΣ ΕΠΑΦΗΣ

(4) Ελέγξτε το επίπεδο υπόλοιπου φορτίου μπαταρίας Όταν πατιέται το πλήκτρο ένδειξης υπολοίπου φορτίου μπαταρίας, η ένδειξη μπαταρίας εμφανίζει το επίπεδο υπόλοιπου φορτίου της μπαταρίας με βάση την κατάσταση της λυχνίας LED όπως φαίνεται παρακάτω.

Κατάσταση της ένδειξης	
 Ανάβουν 2 λυχνίες LED (Κόκκινο χρώμα)	Το υπόλοιπο φορτίο της μπαταρίας είναι αρκετό.
 Ανάβει 1 LED (Κόκκινο χρώμα)	Το υπόλοιπο φορτίο της μπαταρίας βρίσκεται περίπου στη μέση.
 Αναβοσβήνει 1 LED (Κόκκινο χρώμα)	Το υπόλοιπο φορτίο της μπαταρίας είναι σχεδόν άδειο. Επαναφορτίστε την μπαταρία το συντομότερο δυνατό.

(5) Άλλες λειτουργίες

Σε περίπτωση σφάλματος λειτουργίας, οι λυχνίες LED φαίνονται όπως παρακάτω.

Κατάσταση της ένδειξης	
 Λυχνία LED	Το μηχάνημα είναι σε πολύ κρύες (κάτω των -5°C) ή πολύ θερμές συνθήκες. Αφήστε το καρφωτικό να κρυώσει ή να θερμανθεί καλά για να είναι σε ικανοποιητική κατάσταση.
H λυχνία LED αναβοσβήνει με ένα διάστημα. • Σε υπερβολικά θερμές συνθήκες, αναβοσβήνει με διάστημα 1 δευτερόλεπτο. • Σε πολύ κρύες συνθήκες, αναβοσβήνει με διάστημα 0,5 δευτερόλεπτο. Μετά από 10 δευτερόλεπτα, απενεργοποιείται αυτόματα η λυχνία LED και ο διακόπτης ισχύος.	
 Αναβοσβήνουν 2 LED με Πορτοκαλί χρώμα, μετά από 10 δευτερόλεπτα, απενεργοποιείται αυτόματα ο Διακόπτης ισχύος.	Επικοινωνήστε με τη HiKOKI για επιθεώρηση.

(6) Τρόπος χρήσης της λυχνίας LED (Βλέπε **Εικ. 7**)



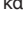
Ενώ ο διακόπτης ισχύος είναι ενεργοποιημένος, η λυχνία LED θα ανάψει αυτόματα το τμήμα της μύτης του εργαλείου.

ΠΡΟΣΟΧΗ

- Μην εκθέτετε τα μάτια σας απευθείας στο φως κοιτάζοντας μέσα στο φως. Αν το μάτι σας εκτεθεί συνεχόμενα στο φως, θα τραυματιστεί.
- Σκουπίστε τυχόν σκόνη ή ρύπους στον φακό της λυχνίας LED με ένα μαλακό ύφασμα, προσέχοντας να μη γδάρετε τον φακό. Οι γρατσουνιές στον φακό της λυχνίας LED μπορεί να προκαλέσουν μείωση της φωτεινότητας.

2. Μηχανισμός κλειδώματος σκανδάλης ενεργοποίησης (βλέπε **Εικ. 8**)

ΠΡΟΕΙΔΟΠΟΙΗΣΗ

Φροντίστε η σκανδάλη ενεργοποίησης να είναι κλειδωμένη όταν δεν εκτοξεύονται καρφιά. Αυτό το Καρφωτικό διαθέτει μηχανισμό κλειδώματος για την αποφυγή της εκτόξευσης καρφιών. Ρυθμίστε τον μοχλό ασφάλισης του διακόπτη στη θέση  για να κλειδώσετε τη σκανδάλη ενεργοποίησης. Σύρετε τον μοχλό ασφάλισης του διακόπτη στη θέση  όταν πρόκειται να χρησιμοποιηθεί το Καρφωτικό, και στη θέση  όταν δεν χρησιμοποιείται.

3. Δοκιμή του καρφωτικού

ΠΡΟΕΙΔΟΠΟΙΗΣΗ

- Φροντίστε η σκανδάλη ενεργοποίησης να είναι κλειδωμένη όταν δεν εκτοξεύονται καρφιά. (Βλέπε **Εικ. 8**)
- Μη χρησιμοποιείτε ποτέ το Καρφωτικό, παρά μόνο εάν ο μοχλός ώθησης λειτουργεί σωστά. Τα NT1865DBAL και NT1865DBSL χρησιμοποιούν έναν προληπτικό μηχανισμό για την εκφόρτωση. Τα NT1865DBAL και NT1865DBSL εισέρχονται σε κατάσταση όπου ο μοχλός ώθησης δεν μπορεί να πιεστεί προς τα πάνω. Αυτό γίνεται όταν ο γεμιστήρας δεν έχει γεμίσει με καρφιά ή όταν ο υπολειπόμενος αριθμός καρφιών είναι κάτω των 6 ή 9.

ΠΡΟΣΟΧΗ

Προσέξτε να μην πετάξετε την άκρη του μοχλού ώθησης στο ξύλο.

Πριν ξεκινήσετε την εργασία καρφώματος, δοκιμάστε το Καρφωτικό χρησιμοποιώντας την παρακάτω λίστα ελέγχου. Εκτελέστε δοκιμές με την ακόλουθη σειρά.

Εάν προκύψει μη φυσιολογική λειτουργία, σταματήστε να χρησιμοποιείτε το Καρφωτικό και επικοινωνήστε αμέσως με ένα εξουσιοδοτημένο κέντρο εξυπηρέτησης της HIKOKI.

(1) ΑΦΑΙΡΕΣΤΕ ΟΛΑ ΤΑ ΚΑΡΦΙΑ ΚΑΙ ΤΗΝ ΜΠΑΤΑΡΙΑ ΑΠΟ ΤΟ ΚΑΡΦΩΤΙΚΟ.

ΟΛΕΣ ΟΙ ΒΙΔΕΣ ΠΡΕΠΕΙ ΝΑ ΕΙΝΑΙ ΣΦΙΓΜΕΝΕΣ.

Ο ΜΟΧΛΟΣ ΩΘΗΣΗΣ ΚΑΙ Η ΣΚΑΝΔΑΛΗ ΕΝΕΡΓΟΠΟΙΗΣΗΣ ΠΡΕΠΕΙ ΝΑ ΚΙΝΟΥΝΤΑΙ ΟΜΑΛΑ τραβώντας προς τα πίσω τον τροφοδότη καρφιών (B). (NT1865DBSL: Δεν χρειάζεται να τραβήξετε προς τα πίσω τον τροφοδότη καρφιών)

(2) Εγκατάσταση της μπαταρίας.

Μη χρησιμοποιείτε τον μοχλό ώθησης ή τη σκανδάλη ενεργοποίησης ενώ τοποθετείτε την μπαταρία. (Βλέπε **Εικ. 2**)

(3) Ενεργοποιήστε τον Διακόπτη ισχύος. (Βλέπε **Εικ. 1**)

Ενεργοποιήστε τον Διακόπτη ισχύος και πιέζοντας παρατεταμένα τον Διακόπτη ισχύος περισσότερο από 1 δευτερόλεπτο.

Βεβαιωθείτε ότι η ένδειξη ισχύος είναι πράσινη και ότι η ένδειξη λειτουργίας ανάβει με μπλε χρώμα. (ΜΗΧΑΝΙΣΜΟΣ ΠΛΗΡΟΥΣ ΔΙΑΔΟΧΙΚΗΣ ΕΝΕΡΓΟΠΟΙΗΣΗΣ)

ΣΗΜΕΙΩΣΗ

Μην πιέζετε τον μοχλό ώθησης και/ή τραβάτε τη σκανδάλη ενεργοποίησης όσο θέτετε τον διακόπτη ισχύος στη θέση ON (Ενεργοποίηση).

Αυτό θα αποτρέψει την ενεργοποίηση του διακόπτη ισχύος.

[Αυτόματη απενεργοποίηση]

Όταν είναι ενεργοποιημένη η ισχύς αλλά το Καρφωτικό δεν χρησιμοποιείται για 30 λεπτά, το Καρφωτικό απενεργοποιείται αυτόματα. Για να το ενεργοποιήσετε ξανά, πατήστε τον διακόπτη ισχύος.

ΠΡΟΕΙΔΟΠΟΙΗΣΗ

Ποτέ μην αφήνετε το Καρφωτικό με την ισχύ ενεργοποιημένη. Αυτό μπορεί να προκαλέσει ατύχημα. Ένδειξη λειτουργίας καρφώματος

Φωτισμός (Μπλε χρώμα):

ΜΗΧΑΝΙΣΜΟΣ ΠΛΗΡΟΥΣ ΔΙΑΔΟΧΙΚΗΣ ΕΝΕΡΓΟΠΟΙΗΣΗΣ,

Αναβοσβήνει (Μπλε χρώμα):

ΜΗΧΑΝΙΣΜΟΣ ΕΝΕΡΓΟΠΟΙΗΣΗΣ ΕΠΑΦΗΣ

Βεβαιωθείτε ότι η ένδειξη της μπαταρίας δεν αναβοσβήνει.

Εάν η ένδειξη της μπαταρίας αναβοσβήνει με κόκκινο χρώμα, η μπαταρία δεν έχει αρκετή ισχύ και θα πρέπει να φορτιστεί.

(4) Βγάλτε το δάχτυλό σας από τη σκανδάλη ενεργοποίησης και πιέστε τον μοχλό ώθησης πάνω στο προς κατεργασία τεμάχιο τραβώντας προς τα πίσω τον τροφοδότη καρφιών (B).

ΤΟ ΚΑΡΦΩΤΙΚΟ ΔΕΝ ΠΡΕΠΕΙ ΝΑ ΛΕΙΤΟΥΡΓΕΙ.

(5) Απομακρύνετε τον μοχλό ώθησης από το προς κατεργασία τεμάχιο.

Στη συνέχεια, στρέψτε το καρφωτικό προς τα κάτω, τραβώντας προς τα πίσω τον τροφοδότη καρφιών (B), τραβήξτε τη σκανδάλη ενεργοποίησης κι έπειτα περιμένετε σε αυτή τη θέση για 5 δευτερόλεπτα ή περισσότερο.

ΤΟ ΚΑΡΦΩΤΙΚΟ ΔΕΝ ΠΡΕΠΕΙ ΝΑ ΛΕΙΤΟΥΡΓΕΙ.

(6) ① Χωρίς να αγγίζετε τη σκανδάλη ενεργοποίησης, πιέστε τον μοχλό ώθησης στο προς κατεργασία τεμάχιο τραβώντας προς τα πίσω τον τροφοδότη καρφιών (B).

Στη συνέχεια, τραβήξτε τη σκανδάλη ενεργοποίησης.

ΤΟ ΚΑΡΦΩΤΙΚΟ ΠΡΕΠΕΙ ΝΑ ΛΕΙΤΟΥΡΓΕΙ.

② Κρατήστε τη σκανδάλη ενεργοποίησης προς τα πίσω και πιέστε ξανά τον μοχλό ώθησης στο προς κατεργασία τεμάχιο.

ΤΟ ΚΑΡΦΩΤΙΚΟ ΔΕΝ ΠΡΕΠΕΙ ΝΑ ΛΕΙΤΟΥΡΓΕΙ.

③ Απομακρύνετε το δάχτυλό σας από τη σκανδάλη ενεργοποίησης. Στη συνέχεια, το ① λειτουργεί ξανά.

ΤΟ ΚΑΡΦΩΤΙΚΟ ΠΡΕΠΕΙ ΝΑ ΛΕΙΤΟΥΡΓΕΙ.

(7) Απομακρύνετε τον μοχλό ώθησης από το προς κατεργασία τεμάχιο, τραβήξτε τη σκανδάλη ενεργοποίησης.

Πιέστε τον μοχλό ώθησης πάνω στο προς κατεργασία τεμάχιο μέσα σε 2 δευτερόλεπτα.

ΤΟ ΚΑΡΦΩΤΙΚΟ ΔΕΝ ΠΡΕΠΕΙ ΝΑ ΛΕΙΤΟΥΡΓΕΙ.

(8) Ρυθμίστε την ένδειξη λειτουργίας καρφώματος να αναβοσβήνει όταν είναι ενεργοποιημένη. (ΜΗΧΑΝΙΣΜΟΣ ΕΝΕΡΓΟΠΟΙΗΣΗΣ ΕΠΑΦΗΣ)

Πιέστε τον διακόπτη λειτουργίας καρφώματος μία φορά, βεβαιωθείτε ότι η ένδειξη αναβοσβήνει με Μπλε χρώμα.

Απομακρύνετε τον μοχλό ώθησης από το προς κατεργασία τεμάχιο, τραβήξτε τη σκανδάλη ενεργοποίησης.

Πιέστε τον μοχλό ώθησης πάνω στο προς κατεργασία τεμάχιο μέσα σε 2 δευτερόλεπτα.

ΤΟ ΚΑΡΦΩΤΙΚΟ ΠΡΕΠΕΙ ΝΑ ΛΕΙΤΟΥΡΓΕΙ.

(9) Αν δεν παρατηρηθεί κάποια μη φυσιολογική λειτουργία, μπορείτε να γεμίσετε με καρφιά το Καρφωτικό.

Προωθήστε καρφιά μέσα στο προς κατεργασία τεμάχιο που είναι του ίδιου τύπου που θα χρησιμοποιηθεί για την πραγματική εφαρμογή.

ΤΟ ΚΑΡΦΩΤΙΚΟ ΠΡΕΠΕΙ ΝΑ ΛΕΙΤΟΥΡΓΕΙ ΣΩΣΤΑ.

4. Έλεγχος χειρισμών του μοχλού ώθησης

ΠΡΟΕΙΔΟΠΟΙΗΣΗ

Φροντίστε η σκανδάλη ενεργοποίησης να είναι κλειδωμένη όταν δεν εκτοξεύονται καρφιά.

Ελληνικά

Να επιβεβαιώνετε πάντα ότι η σκανδάλη ενεργοποίησης είναι κλειδωμένη και ότι η μπαταρία έχει αφαιρεθεί από το ηλεκτρικό εργαλείο όταν ελέγχετε τους χειρισμούς του μοχλού ώθησης.

Ελέγξτε για να βεβαιωθείτε ότι ο μοχλός ώθησης ολισθαίνει ομαλά όταν λειτουργεί.

Καθαρίστε την περιοχή ολίσθησης στον μοχλό ώθησης αν δεν ολισθαίνει ομαλά.

5. Γεμίστε με καρφιά ΠΡΟΕΙΔΟΠΟΙΗΣΗ

Κατά το γέμισμα με καρφιά του Καρφωτικού.

- 1) να αφαιρέσετε την μπαταρία από το καρφωτικό,
- 2) μην τραβάτε τη σκανδάλη ενεργοποίησης.
- 3) μην πιέζετε τον μοχλό ώθησης και
- 4) να κρατάτε το καρφωτικό στραμμένο προς τα κάτω.

<NT1865DBAL, NT1865DBSL>

Τροφοδότηση καρφιών 2 δράσεων!

- (1) Εισαγάγετε τη λωρίδα καρφιών στο πίσω μέρος του γεμιστήρα. (Βλέπε **Εικ. 9**)
- (2) Σύρετε τη λωρίδα καρφιών προς τον γεμιστήρα. (Βλέπε **Εικ. 10**)
- (3) Πιέστε τον τροφοδότη καρφιών (A) για να δεσμεύσετε τον τροφοδότη καρφιών (B) στη λωρίδα καρφιών. (Βλέπε **Εικ. 11**)

ΣΗΜΕΙΩΣΗ

- Σπρώξτε απαλά τον τροφοδότη καρφιών (A) και τον τροφοδότη καρφιών (B) καρφιά.
- Αν ο τροφοδότης καρφιών (A) και ο τροφοδότης καρφιών (B) απελευθερωθούν από το πίσω μέρος του γεμιστήρα και προσκρούσουν στο καρφί, μπορεί να προκληθεί βλάβη στη συνδετική κόλλα του καρφιού.
- Χρησιμοποιείτε λωρίδα καρφιών με περισσότερα από 10 καρφιά.
- Χρησιμοποιείτε μια αδιάσπαστη λωρίδα καρφιών με όλα τα καρφιά του ίδιου μήκους.

Το Καρφωτικό είναι πλέον έτοιμο να λειτουργήσει.

Αφαίρεση των καρφιών:

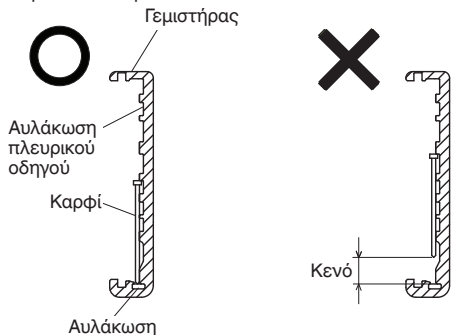
- ① Τραβήξτε τον τροφοδότη καρφιών (b) προς τα πίσω. (Βλέπε **Εικ. 12**)
- ② Επιστρέψτε απαλά τον τροφοδότη καρφιών (B) προς τα μπρος ενώ σπρώχνετε τον τροφοδότη καρφιών (A).
- ③ Βγάλετε τα καρφιά από το πίσω μέρος του γεμιστήρα. (Βλέπε **Εικ. 13**)

<NT1850DBSL>

- (1) Πατήστε ελαφρά τον μοχλό διακοπής και τραβήξτε απαλά προς τα έξω το κάλυμμα του γεμιστήρα. (Βλέπε **Εικ. 14**)
- (2) Βάλτε τη λωρίδα καρφιών στον γεμιστήρα και κρατήστε τις μύτες των καρφιών σε επαφή με την Αυλάκωση. (Βλέπε **Εικ. 15**)

ΣΗΜΕΙΩΣΗ

Τα καρφιά που παρουσιάζονται στη σελίδα 201 μπορούν να φορτωθούν στην αυλάκωση του πλευρικού οδηγού του γεμιστήρα χωρίς καμία ρύθμιση. Διατηρείτε πάντα τις μύτες των καρφιών σε επαφή με την Αυλάκωση.



- (3) Σύρετε τη λωρίδα καρφιών στη λεπίδα-οδηγό. (Βλέπε **Εικ. 16**)

- (4) Επιβεβαιώστε αν η λωρίδα καρφιών είναι τοποθετημένη κατάλληλα στις αυλακώσεις του πλευρικού οδηγού και στην Αυλάκωση, στη συνέχεια πιέστε το κάλυμμα του γεμιστήρα προς τα εμπρός για να ασφαλιστεί.

ΤΡΟΠΟΣ ΧΡΗΣΗΣ ΤΟΥ ΚΑΡΦΩΤΙΚΟΥ

ΠΡΟΕΙΔΟΠΟΙΗΣΗ

- ΠΟΤΕ μη στρέψετε το εργαλείο προς το μέρος σας ή προς το μέρος άλλων στον χώρο εργασίας.
 - Κρατάτε τα δάχτυλά σας ΜΑΚΡΙΑ από τη σκανδάλη ενεργοποίησης όταν δεν βγάζετε καρφιά, ώστε να αποφύγετε κατά λάθος εκτόξευση.
 - Μη χρησιμοποιείτε το ηλεκτρικό καλώδιο εάν είναι κατεστραμμένο. Αντικαταστήστε το άμεσα.
 - Η επιλογή της μεθόδου ενεργοποίησης είναι σημαντική. Διαβάστε και κατανοήστε την ενότητα «1. Διαδικασίες καρφώματος» που θα βρείτε παρακάτω.
 - Πριν από την έναρξη της εργασίας, ελέγξτε τη διάταξη μεταγωγής της λειτουργίας καρφώματος. Αυτό το καρφωτικό HiKOKI περιλαμβάνει μια διάταξη μεταγωγής λειτουργίας καρφώματος. Πριν από την έναρξη της εργασίας, βεβαιωθείτε ότι η διάταξη μεταγωγής έχει ρυθμιστεί σωστά. Εάν η διάταξη μεταγωγής δεν ρυθμιστεί κατάλληλα, το καρφωτικό δεν θα λειτουργεί σωστά.
 - Ποτέ μην τοποθετείτε το πρόσωπο, τα χέρια ή τα πόδια σας κοντά στην κεφαλή εκτόξευσης κατά τη χρήση.
 - Μην προωθείτε καρφιά πάνω από άλλα καρφιά ή με το Καρφωτικό σε πολύ απότομη γωνία. Τα καρφιά μπορεί να αναπηδήσουν και να βιάψουν κάποιο άτομο.
 - Μην προωθείτε καρφιά σε λεπτές σανίδες ή κοντά σε γωνίες και άκρες του προς κατεργασία τεμαχίου. Μπορεί να προωθηθούν καρφιά μέσα ή μακριά από το προς κατεργασία τεμάχιο και να χτυπήσουν κάποιο άτομο.
 - Μην προωθείτε ποτέ καρφιά και στις δύο πλευρές ενός τοίχου ταυτόχρονα. Τα καρφιά μπορούν να προωθηθούν εντός και διαμέσου του τοίχου και χτυπήσουν ένα άτομο στην άλλη πλευρά.
 - Μη χρησιμοποιείτε ποτέ Καρφωτικό που είναι ελαττωματικό ή δεν λειτουργεί φυσιολογικά.
 - Μη χρησιμοποιείτε το Καρφωτικό σαν σφυρί.
 - Να αφαιρέτε όλους τους εναπομεινόντες συνδετήρες και την μπαταρία από το καρφωτικό όταν:
 - 1) κάνετε συντήρηση και επιθεώρηση,
 - 2) κάνετε έλεγχο της σωστής λειτουργίας του μοχλού ώθησης και της σκανδάλης ενεργοποίησης,
 - 3) τοποθέτηση ή αφαίρεση του καπακιού μύτες,
 - 4) αποκαθιστάτε μια εμπλοκή,
 - 5) δεν χρησιμοποιείται,
 - 6) εγκαταλείπετε τον χώρο εργασίας,
 - 7) μετακινείτε σε άλλη τοποθεσία, και
 - 8) το δίνετε σε άλλο άτομο.
 - Να αφαιρέσετε την μπαταρία από το Καρφωτικό όταν:
 - 1) το γεμίζετε με καρφιά,
 - 2) περιστρέψετε τον ρυθμιστή.
- Αυτό το καρφωτικό HiKOKI διαθέτει μια διάταξη μεταγωγής λειτουργίας καρφωτικού.
- Να χρησιμοποιείτε τον ΜΗΧΑΝΙΣΜΟ ΠΛΗΡΟΥΣ ΔΙΑΔΟΧΙΚΗΣ ΕΝΕΡΓΟΠΟΙΗΣΗΣ ή τον ΜΗΧΑΝΙΣΜΟ ΕΝΕΡΓΟΠΟΙΗΣΗΣ ΕΠΑΦΗΣ σύμφωνα με την εργασία που θέλετε να εκτελέσετε.
- Επεξήγηση των διάφορων λειτουργιών καρφώματος
- ΜΗΧΑΝΙΣΜΟΣ ΠΛΗΡΟΥΣ ΔΙΑΔΟΧΙΚΗΣ ΕΝΕΡΓΟΠΟΙΗΣΗΣ:
Αρχικά, πιέστε τον μοχλό ώθησης στο ξύλο, στη συνέχεια, τραβήξτε τη σκανδάλη ενεργοποίησης για να προωθηθεί το καρφί.
Ακολουθήστε την ίδια σειρά για να συνεχίσετε την προώθηση καρφιών.

Αφού καρφώσετε μία φορά, δεν μπορείτε να ξανακαρφώσετε έως ότου να απομακρύνετε το δάχτυλό σας από τη σκανδάλη ενεργοποίησης και σηκώσετε εντελώς το εργαλείο από την επιφάνεια του ξύλου.

○ ΜΗΧΑΝΙΣΜΟΣ ΕΝΕΡΓΟΠΟΙΗΣΗΣ ΕΠΑΦΗΣ:

Η ΕΝΕΡΓΟΠΟΙΗΣΗ ΕΠΑΦΗΣ μπορεί να ακολουθήσει δύο διαφορετικές διαδοχές, ανάλογα με τη χρήση.

Για την προώθηση πολλαπλών καρφιών:

1. Τραβήξτε τη σκανδάλη ενεργοποίησης.
2. Πιέστε τον μοχλό ώθησης στο ξύλο για να προωθηθεί το καρφί.
3. Εάν η σκανδάλη ενεργοποίησης κρατιέται προς τα πίσω, ένα καρφί προωθείται κάθε φορά που ο μοχλός ώθησης πιέζεται στο ξύλο.

Για την προώθηση ενός μόνο καρφιού:

1. Πιέστε τον μοχλό ώθησης στο ξύλο.
2. Τραβήξτε τη σκανδάλη ενεργοποίησης για να προωθήσετε το καρφί.
3. Απομακρύνετε το δάχτυλό σας από τη σκανδάλη ενεργοποίησης και αφαιρέστε το καρφωτικό από το ξύλο.

[Μηχανισμός ασφάλισης από πυρκαγιά]

Τα NT1865DBA και NT1865DBSL χρησιμοποιούν έναν προληπτικό μηχανισμό για την εκφόρτωση.

Τα NT1865DBAL και NT1865DBSL εισέρχονται σε κατάσταση όπου ο μοχλός ώθησης δεν μπορεί να πιεστεί προς τα πάνω. Αυτό γίνεται όταν ο γεμιστήρας δεν έχει γεμίσει με καρφιά ή όταν ο υπολειπόμενος αριθμός καρφιών είναι κάτω των 6 ή 9.

ΠΡΟΣΟΧΗ

Προσέχετε ώστε να μη ρίχνετε την άκρη του μοχλού ώθησης πάνω στο ξύλο όταν ο μοχλός ώθησης δεν μπορεί να πιεστεί προς τα πάνω.

1. Διαδικασίες καρφώματος

Το Καρφωτικό διαθέτει τον μοχλό ώθησης και δεν λειτουργεί εκτός εάν πιεστεί ο μοχλός ώθησης.

Υπάρχουν δύο μέθοδοι προώθησης καρφιών με αυτό το Καρφωτικό.

Αυτές είναι:

1. Διακεκομμένη λειτουργία (εκτόξευση με σκανδάλη ενεργοποίησης):
2. Συνεχής λειτουργία (εκτόξευση με μοχλό ώθησης):

(1) Διακεκομμένη λειτουργία (εκτόξευση με σκανδάλη ενεργοποίησης)

Χρησιμοποιήστε τη ρύθμιση ΜΗΧΑΝΙΣΜΟΣ ΠΛΗΡΟΥΣ ΔΙΑΔΟΧΙΚΗΣ ΕΝΕΡΓΟΠΟΙΗΣΗΣ. (Βλέπε **Εικ. 17**)

ΠΡΟΕΙΔΟΠΟΙΗΣΗ

- Για διακεκομμένη λειτουργία, ρυθμίστε τον διακόπτη λειτουργίας καρφώματος στον ΜΗΧΑΝΙΣΜΟ ΠΛΗΡΟΥΣ ΔΙΑΔΟΧΙΚΗΣ ΕΝΕΡΓΟΠΟΙΗΣΗΣ (η ένδειξη λειτουργίας καρφώματος ανάβει με μπλε χρώμα). (δηλ. ρυθμίστε σε ΜΗΧΑΝΙΣΜΟ ΕΝΙΑΙΑΣ ΕΝΕΡΓΟΠΟΙΗΣΗΣ.)

○ Για να αποφύγετε τη διπλή εκτόξευση ή την κατά λάθος εκτόξευση λόγω ανάκρουσης.

- 1) Ρυθμίστε σε ΜΗΧΑΝΙΣΜΟ ΠΛΗΡΟΥΣ ΔΙΑΔΟΧΙΚΗΣ ΕΝΕΡΓΟΠΟΙΗΣΗΣ.

2) Τραβήξτε τη σκανδάλη ενεργοποίησης γρήγορα και σταθερά.

① Ρυθμίστε τον διακόπτη λειτουργίας καρφώματος στον ΜΗΧΑΝΙΣΜΟ ΠΛΗΡΟΥΣ ΔΙΑΔΟΧΙΚΗΣ ΕΝΕΡΓΟΠΟΙΗΣΗΣ (η ένδειξη λειτουργίας καρφώματος ανάβει με μπλε χρώμα).

(για να ρυθμίσετε στον ΜΗΧΑΝΙΣΜΟ ΠΛΗΡΟΥΣ ΔΙΑΔΟΧΙΚΗΣ ΕΝΕΡΓΟΠΟΙΗΣΗΣ).

(Ρυθμίστε τη διάταξη μεταγωγής ώστε η ένδειξη λειτουργίας καρφώματος να ανάβει εντελώς με μπλε χρώμα, όπως φαίνεται στην **Εικ. 17**. Διαφορετικά, θα ρυθμιστεί στον ΜΗΧΑΝΙΣΜΟ ΕΝΕΡΓΟΠΟΙΗΣΗΣ ΕΠΑΦΗΣ.)

② Τοποθετήστε την έξοδο καρφιών πάνω στο προς κατεργασία τεμάχιο με το δάχτυλό σας μακριά από τη σκανδάλη ενεργοποίησης.

③ Πιέστε σταθερά τον μοχλό ώθησης μέχρι να πιεστεί εντελώς.

④ Τραβήξτε τη σκανδάλη ενεργοποίησης για να προωθήσετε ένα καρφί.

⑤ Απομακρύνετε το δάχτυλό σας από τη σκανδάλη ενεργοποίησης και σηκώστε πλήρως το εργαλείο από την επιφάνεια του ξύλου.

Για να συνεχίσετε το κάρφωμα σε ξεχωριστή θέση, μετακινήστε το καρφωτικό κατά μήκος του ξύλου, επαναλάβετε τα βήματα ② - ⑤ όπως απαιτείται.

ΣΗΜΕΙΩΣΗ

Οι λειτουργίες ③ και ④ θα πρέπει να γίνονται εντός σε 2 δευτερολέπτων η μία από την άλλη. Αν περάσουν περισσότερα από 2 δευτερόλεπτα μετά το ③, το Καρφωτικό δεν θα λειτουργήσει σωστά. Εάν συμβεί αυτό, προσπαθήστε ξανά από το ③.

(2) Συνεχής λειτουργία (εκτόξευση με μοχλό ώθησης)
Χρήση του ΜΗΧΑΝΙΣΜΟΥ ΕΝΕΡΓΟΠΟΙΗΣΗΣ ΕΠΑΦΗΣ (Βλέπε **Εικ. 18**)

ΠΡΟΕΙΔΟΠΟΙΗΣΗ

Για να αποφύγετε τη διπλή εκτόξευση ή την κατά λάθος εκτόξευση λόγω ανάκρουσης.

1) Μην πιέζετε το καρφωτικό στο ξύλο με υπερβολική δύναμη.

2) Απομακρύνετε το καρφωτικό από το ξύλο, κατά την ανάκρουση μετά το κάρφωμα.

① Ρυθμίστε τον διακόπτη λειτουργίας καρφώματος στον ΜΗΧΑΝΙΣΜΟ ΕΝΕΡΓΟΠΟΙΗΣΗΣ ΕΠΑΦΗΣ (η ένδειξη λειτουργίας καρφώματος αναβοσβήνει με μπλε χρώμα).

(για να ρυθμίσετε στον ΜΗΧΑΝΙΣΜΟ ΕΝΕΡΓΟΠΟΙΗΣΗΣ ΕΠΑΦΗΣ).

(Ρυθμίστε τη διάταξη μεταγωγής ώστε η ένδειξη λειτουργίας καρφώματος να αναβοσβήνει εντελώς με μπλε χρώμα, όπως φαίνεται στην **Εικ. 18**. Σε αντίθετη περίπτωση, δεν θα λειτουργήσει κανονικά.)

② Τραβήξτε τη σκανδάλη ενεργοποίησης με το Καρφωτικό μακριά από το προς κατεργασία τεμάχιο.

③ Πιέστε τον μοχλό ώθησης στο προς κατεργασία κομμάτι για να προωθήσετε ένα καρφί.

④ Μετακινήστε το καρφωτικό κατά μήκος του προς κατεργασία τεμαχίου με γρήγορη κίνηση αναπήδησης.

Κάθε πίεση του μοχλού ώθησης θα προωθεί ένα καρφί.

Μόλις έχει προωθηθεί ο επιθυμητός αριθμός καρφιών, απομακρύνετε το δάχτυλό σας από τη σκανδάλη ενεργοποίησης.

ΣΗΜΕΙΩΣΗ

Οι λειτουργίες ② και ③ θα πρέπει να γίνονται εντός σε 2 δευτερολέπτων η μία από την άλλη. Αν περάσουν περισσότερα από 2 δευτερόλεπτα μετά το ②, το Καρφωτικό δεν θα λειτουργήσει σωστά. Εάν συμβεί αυτό, προσπαθήστε ξανά από το ②.

ΠΡΟΕΙΔΟΠΟΙΗΣΗ

○ Να κρατάτε το δάχτυλό σας μακριά από τη σκανδάλη ενεργοποίησης εκτός από την περίπτωση του καρφώματος, επειδή μπορεί να προκληθεί σοβαρός τραυματισμός αν ο μοχλός ώθησης έρθει κατά λάθος σε επαφή με εσάς ή άλλους στον χώρο εργασίας.

○ Έχετε τα χέρια και το σώμα σας μακριά από την περιοχή εκφόρτισης. Αυτό το καρφωτικό HiKOKI μπορεί να αναπηδήσει από την ανάκρουση της προώθησης ενός καρφιού και να προωθηθεί το επόμενο καρφί ακούσια, προκαλώντας ενδεχομένως τραυματισμό.

ΣΗΜΕΙΩΣΗ

○ Εάν τρώνονται όλες οι προειδοποιήσεις και οι οδηγίες, η ασφαλής λειτουργία είναι δυνατή και με τα δύο συστήματα: ΜΗΧΑΝΙΣΜΟΣ ΠΛΗΡΟΥΣ ΔΙΑΔΟΧΙΚΗΣ ΕΝΕΡΓΟΠΟΙΗΣΗΣ, ΜΗΧΑΝΙΣΜΟΣ ΕΝΕΡΓΟΠΟΙΗΣΗΣ ΕΠΑΦΗΣ.

Ελληνικά

- Να χειρίζεστε πάντα τα καρφιά και τη συσκευασία προσεκτικά. Εάν πέσουν τα καρφιά, μπορεί να σπάσει το υλικό σύνδεσης, γεγονός που θα προκαλέσει εσφαλμένη τροφοδότηση και εμπλοκή.

- Μετά το κάρφωμα:

- 1) να αφαιρείτε την μπαταρία από το Καρφωτικό,
- 2) να αφαιρείτε όλα τα καρφιά από το Καρφωτικό,

2. Ρύθμιση του βάθους καρφώματος

Για να εξασφαλίσετε ότι κάθε καρφί θα διεισδύει στο ίδιο βάθος, βεβαιωθείτε ότι το Καρφωτικό βρίσκεται σε σταθερή θέση έναντι του προς κατεργασία τεμαχίου. Εάν τα καρφιά προωθούνται πολύ βαθιά ή ρηχά στο προς κατεργασία τεμάχιο, προσαρμόστε το κάρφωμα με την ακόλουθη σειρά.

- ① Αφαιρέστε την μπαταρία από το Καρφωτικό.
- ② Εάν τα καρφιά προωθηθούν πολύ βαθιά, γυρίστε τον ρυθμιστή στη ρηχή πλευρά. (Βλέπε **Εικ. 19**) Οι προσαρμογές γίνονται σε βήματα μισής στροφής. Εάν τα καρφιά προωθηθούν πολύ ρηχά, γυρίστε τον ρυθμιστή στη βαθιά πλευρά. (Βλέπε **Εικ. 20**)
- ③ Σταματήστε να περιστρέφετε τον ρυθμιστή όταν φτάσετε σε μια κατάλληλη θέση για μια δοκιμή καρφώματος.
- ④ Συνδέστε την μπαταρία στο Καρφωτικό.
ΝΑ ΦΟΡΑΤΕ ΠΑΝΤΑ ΠΡΟΣΤΑΤΕΥΤΙΚΑ ΓΥΑΛΙΑ. Εκτελέστε μια δοκιμή καρφώματος.
- ⑤ Αφαιρέστε την μπαταρία από το Καρφωτικό.
- ⑥ Επιλέξτε μια κατάλληλη θέση για τον ρυθμιστή.

3. Χρήση του άγκιστρου (βλέπε **Εικ. 21, 22, 23**)

ΠΡΟΕΙΔΟΠΟΙΗΣΗ

Όταν χρησιμοποιείτε το άγκιστρο, κλείστε τον διακόπτη ισχύος (πράσινη λυχνία στη θέση «OFF» (Απενεργοποίηση)). Δώστε ιδιαίτερη προσοχή έτσι ώστε να μην πέσει ο βασικός εξοπλισμός. Εάν το εργαλείο πέσει, υπάρχει κίνδυνος ατυχήματος.

Το άγκιστρο μπορεί να τοποθετηθεί στην αριστερή ή τη δεξιά πλευρά. (εκτός του NT1865DBAL)

- ① Αφαιρέστε την μπαταρία, και στη συνέχεια αφαιρέστε όλα τα εναπομείνοντα καρφιά από τον γεμιστήρα.
- ② Κρατήστε σταθερά την κύρια μονάδα και αφαιρέστε τη βίδα με ένα κατασβίδι. (Βλέπε **Εικ. 21**)
- ③ Αφαιρέστε το άγκιστρο και την πλάκα άγκιστρου. (Βλέπε **Εικ. 22**)
- ④ Τοποθετήστε το άγκιστρο στην άλλη πλευρά και στερεώστε καλά με τη βίδα. (Βλέπε **Εικ. 23**)

ΣΗΜΕΙΩΣΗ

Το άγκιστρο μπορεί να χρησιμοποιηθεί ως κρεμάστρα.

4. Χρήση του καπακιού μύτης (βλέπε **Εικ. 24, 25**)

ΠΡΟΕΙΔΟΠΟΙΗΣΗ

Κατά την προσάρτηση ή την αφαίρεση του καπακιού μύτης, φροντίστε να απομακρύνετε το δάχτυλό σας από τη σκανδάλη ενεργοποίησης και να αφαιρέσετε όλα τα εναπομείνοντα καρφιά και την μπαταρία από το καρφωτικό.

Αν θέλετε να προστατέψετε την επιφάνεια του προς κατεργασία τεμαχίου από γρατζουνιές ή σημάδια από τη χρήση του μοχλού ώθησης, τοποθετήστε το καπάκι βοηθητικής μύτης στον μοχλό ώθησης.

- ① Αφαιρέστε όλα τα εναπομείνοντα καρφιά και την μπαταρία από το καρφωτικό.
- ② Βάλτε το καπάκι βοηθητικής μύτης στην άκρη του μοχλού ώθησης.
- ③ Το καπάκι βοηθητικής μύτης είναι επισήμασμένο για να δείχνει το σημείο εξόδου του καρφιού, διευκολύνοντας έτσι την ευθυγράμμιση.
- ④ Όταν δεν χρησιμοποιείτε το καπάκι μύτης, ασφαλίστε τη θήκη αποθήκευσης που βρίσκεται στην πίσω πλευρά του γεμιστήρα.

ΣΗΜΕΙΩΣΗ

Το καπάκι μύτης μπορεί να μειώσει το βάθος του καρφώματος λόγω του πάχους του. Απαιτείται αναπροσαρμογή του βάθους καρφώματος.

5. Αποκατάσταση μιας εμπλοκής

Εάν τα καρφιά σφηνώσουν στην κεφαλή εκτόξευσης, αφαιρέστε τα και ρυθμίστε το κάρφωμα με την ακόλουθη σειρά.

ΠΡΟΣΟΧΗ

Αφαιρέστε την μπαταρία από το Καρφωτικό.

- ① Αφαιρέστε την μπαταρία από το Καρφωτικό.
- ② Αφαιρέστε όλα τα καρφιά.
- ③ Απελευθερώστε τον Μοχλό ασφάλισης και ανοίξτε την πλάκα-οδηγό. (Βλέπε **Εικ. 26**)
- ④ Αφαιρέστε το καρφί που έχει σφηνώσει με ένα ίσιο κατασβίδι. (Βλέπε **Εικ. 27**)

ΠΡΟΣΟΧΗ

- ΠΟΤΕ μη χτυπάτε τη λεπίδα προώθησης.
- ΠΟΤΕ μη στρέψετε το εργαλείο προς τον εαυτό σας ή άλλο άτομο, προκειμένου να αποφύγετε τον κίνδυνο τραυματισμού από ακατάλληλη εκτόξευση. Ακόμα και αν η μπαταρία αφαιρεθεί από το καρφωτικό, παραμένει ακόμα ενέργεια πεπιεσμένου αέρα στο εσωτερικό.
- ⑤ Κλείστε την πλάκα-οδηγό και την ασφάλεια.

ΣΗΜΕΙΩΣΗ

Σε περίπτωση συχνής εμπλοκής, επικοινωνήστε με ένα εξουσιοδοτημένο κέντρο εξυπηρέτησης της ΗΙΚΟΚΙ.

ΣΥΝΤΗΡΗΣΗ ΚΑΙ ΕΛΕΓΧΟΣ

ΠΡΟΣΟΧΗ

Φροντίστε να αφαιρέτε όλα τα εναπομείνοντα καρφιά και την μπαταρία από το καρφωτικό πριν από τη συντήρηση και την εξυπηρέτηση.

1. Επεξεργασία του γεμιστήρα

- ① Αφαιρέστε την μπαταρία από το Καρφωτικό.
- ② Καθαρίστε τον γεμιστήρα. Αφαιρέστε τη σκόνη και τα ροκανίδια που πιθανόν να έχουν μαζευτεί στον γεμιστήρα.

ΠΡΟΣΟΧΗ

Ελέγξτε αν ο τροφοδότης καρφίων ολισθαίνει ομαλά τραβώντας τον με το δάχτυλό σας. Εάν δεν ολισθαίνει ομαλά, τα καρφιά μπορούν να προωθηθούν σε ακανόνιστη γωνία και να βλάψουν κάποιο άτομο.

2. Έλεγχος των βιδών στερέωσης

Να ελέγχετε τακτικά όλες τις βίδες στερέωσης και να βεβαιωθείτε ότι έχουν σφίξει καλά. Σε περίπτωση που κάποια βίδα είναι χαλαρή, σφίξτε την άμεσα. Διαφορετικά μπορεί να προκύψει σοβαρός κίνδυνος.

3. Συντήρηση του κινητήρα

Η περιέλιξη της μονάδας κινητήρα αποτελεί την «βασική λειτουργία» του ηλεκτρικού εργαλείου. Να φροντίζετε έτσι ώστε η περιέλιξη να μην υφίσταται βλάβες και/ή να λερώνεται με λάδι ή να βρέχεται με νερό.

4. Επιθεώρηση των ακροδεκτών (εργαλείο και μπαταρία)

Ελέγξτε για να βεβαιωθείτε ότι δεν έχουν συσσωρευτεί γρέζια και σκόνη στους ακροδέκτες. Σε ορισμένες περιπτώσεις ελέγχετε πριν, κατά τη διάρκεια και μετά τη λειτουργία.

ΠΡΟΣΟΧΗ

Απομακρύνετε τυχόν γρέζια ή σκόνη που ενδέχεται να έχουν μαζευτεί στους ακροδέκτες. Διαφορετικά, ενδέχεται να εμφανιστεί δυσλειτουργία.

5. Καθαρισμός του εξωτερικού

Όταν το ηλεκτρικό εργαλείο είναι λερωμένο, να το σκουπίζετε με ένα μαλακό στεγνό πανί ή με ένα πανί μουσκεμένο σε σαπουνόνερο. Μη χρησιμοποιείτε διαλύματα χλωρίνης, βενζίνη ή διαλυτικό χρώματος, για να μην καταστραφούν τα πλαστικά μέρη.

6. Αποθήκευση

Αποθηκεύετε το ηλεκτρικό εργαλείο σε χώρο όπου η θερμοκρασία είναι μικρότερη από 40°C και μακριά από την πρόσβαση παιδιών.

ΣΗΜΕΙΩΣΗ

Αποθήκευση Μπαταριών Λόντων Λιθίου.
Βεβαιωθείτε ότι οι μπαταρίες ιόντων λιθίου είναι πλήρως φορτισμένες πριν να τις αποθηκεύσετε.

Τυχόν παρατεταμένη αποθήκευση (3 μήνες ή παραπάνω) μπαταριών με χαμηλό φορτίο μπορεί να έχει ως αποτέλεσμα την υποβάθμιση της απόδοσης, μειώνοντας σημαντικά τον χρόνο χρήσης της μπαταρίας ή καθιστώντας τις μπαταρίες ανίκανες στην κατακράτηση φορτίου.

Ωστόσο, ο σημαντικά μειωμένος χρόνος χρήσης της μπαταρίας μπορεί να ανακτηθεί με την επαναληπτική φόρτιση και χρήση των μπαταριών δυο έως πέντε φορές.

Εάν ο χρόνος χρήσης της μπαταρίας είναι εξαιρετικά σύντομος παρά την επανειλημμένη φόρτιση και χρήση, εξετάστε τις μπαταρίες.

ΠΡΟΣΟΧΗ

Κατά τον έλεγχο και τη συντήρηση των ηλεκτρικών εργαλείων, οι κανόνες ασφαλείας και οι κανονισμοί που υπάρχουν σε κάθε χώρα πρέπει να ακολουθούνται.

Σημαντική ειδοποίηση για τις μπαταρίες στα ηλεκτρικά εργαλεία της HiKOKI χωρίς καλώδιο

Να χρησιμοποιείτε πάντα κάποια από τις καθορισμένες γνήσιες μπαταρίες. Δεν μπορούμε να εγγυηθούμε για την ασφάλεια και την απόδοση του ηλεκτρικού μας εργαλείου όταν χρησιμοποιείτε μπαταρίες που είναι διαφορετικές από αυτές που έχουν καθοριστεί από εμάς, ή όταν η μπαταρία είναι αποσυναρμολογημένη ή τροποποιημένη (λόγω αποσυναρμολόγησης ή αντικατάστασης στοιχείων ή άλλων εσωτερικών μερών).

ΕΓΓΥΗΣΗ

Εγγυώμαστε για τα εργαλεία HiKOKI Power Tools σύμφωνα με τον θεσμικό κανονισμό/ειδικό κανονισμό της χώρας. Η παρούσα εγγύηση δεν καλύπτει ελαττώματα ή ζημιές λόγω κακής χρήσης, κακομεταχείρισης ή φυσιολογικής φθοράς. Σε περίπτωση παραπόνων παρακαλούμε αποστείλετε το Power Tool χωρίς να το αποσυναρμολογήσετε μαζί με το ΠΙΣΤΟΠΟΙΗΤΙΚΟ ΕΓΓΥΗΣΗΣ το οποίο βρίσκεται στο τέλος των εν λόγω οδηγιών χειρισμού, σε Εξουσιοδοτημένο Κέντρο Εξυπηρέτησης της HiKOKI.

Πληροφορίες ως προς τον Θόρυβο

Χαρακτηριστικές τιμές θορύβου σύμφωνα με το EN 60745:

Η τυπική στάθμη μεμονωμένης ηχητικής ισχύος με στάθμιση A L_{WA} , 1 δευτ., $d = 92$ dB

Η τυπική στάθμη ηχητικής πίεσης μεμονωμένης εκπομπής με στάθμιση A σε σταθμό εργασίας L_{pA} , 1 δευτ., $d = 81$ dB

Αβεβαιότητα ΚρΑ: 3 dB

Οι τιμές αυτές είναι χαρακτηριστικές τιμές του εργαλείου και δεν αντιπροσωπεύουν την ανάπτυξη θορύβου στο σημείο εφαρμογής. Η ανάπτυξη θορύβου στο σημείο εφαρμογής θα εξαρτηθεί, για παράδειγμα, από το περιβάλλον εργασίας, το αντικείμενο εργασίας, την υποστήριξη του προς κατεργασία τεμαχίου, τον αριθμό λειτουργιών πρόωθησης κ.λπ.

Ανάλογα με τις συνθήκες στον χώρο εργασίας και τη μορφή του προς κατεργασία τεμαχίου, μπορεί να χρειαστεί να πραγματοποιηθούν μεμονωμένα μέτρα εξασθένησης του θορύβου, όπως η τοποθέτηση των τεμαχίων σε υποστηρίγματα απόσβεσης ήχου, αποφυγή δόνησης του τεμαχίου μέσω σύσφιξης ή κάλυψης κ.λπ.

Σε ειδικές περιπτώσεις, είναι απαραίτητο να φοράτε εξοπλισμό για την προστασία της ακοής.

Πληροφορίες ως προς τη Δόνηση

Η τυπική χαρακτηριστική τιμή δόνησης σύμφωνα με το EN 60745: 2,6 m/δευτ.²

Αβεβαιότητα K: 1,5 m/δευτ.²

Αυτή η τιμή είναι μια χαρακτηριστική τιμή του εργαλείου και δεν αντιπροσωπεύει την επίδραση στο σύστημα χεριού-βραχίονα όταν χρησιμοποιείτε το εργαλείο. Η επίδραση στο σύστημα χεριού-βραχίονα κατά τη χρήση του εργαλείου εξαρτάται, για παράδειγμα, από τη δύναμη πιασίματος, τη δύναμη πίεσης επαφής, την κατεύθυνση εργασίας, τη ρύθμιση της παροχής ενέργειας, το προς κατεργασία τεμάχιο, την υποστήριξη του τεμαχίου.

Η εγκεκριμένη συνολική τιμή των δονήσεων έχει μετρηθεί σύμφωνα με μια σταθερή μέθοδο ελέγχου και μπορεί να χρησιμοποιηθεί για τη σύγκριση ενός εργαλείου με κάποιο άλλο.

Μπορεί επίσης να χρησιμοποιηθεί σε μια προκαταρκτική εκτίμηση έκθεσης.

ΠΡΟΕΙΔΟΠΟΙΗΣΗ

- Η εκπομπή δονήσεων κατά την πραγματική χρήση του εργαλείου μπορεί να διαφέρει από την εγκεκριμένη συνολική τιμή και να εξαρτάται από τους τρόπους με τους οποίους χρησιμοποιείται το εργαλείο.
- Καθορίστε μέτρα ασφαλείας για την προστασία του χειριστή που βασίζονται σε μία εκτίμηση της έκθεσης στις πραγματικές συνθήκες χρήσης (λαμβάνοντας υπόψη όλα τα μέρη του κύκλου λειτουργίας όπως τον χρόνο που το εργαλείο είναι κλειστό και το διάστημα όπου είναι σε ανενεργό εκτός από τον χρόνο της σκανδάλης).

ΣΗΜΕΙΩΣΗ

Εξαιτίας του συνεχιζόμενου προγράμματος έρευνας και ανάπτυξης της HiKOKI, τα τεχνικά χαρακτηριστικά που αναφέρονται εδώ μπορούν να αλλάξουν χωρίς προηγούμενη ειδοποίηση.

Ελληνικά

Διάγραμμα συντήρησης

ΕΝΕΡΓΕΙΑ	ΓΙΑΤΙ	ΠΩΣ
Καθαρισμός του γεμιστήρα και του μηχανισμού τροφοδότη.	Αποφυγή εμπλοκής.	Καθαρισμός με αέρα καθημερινά.
Διατήρηση της σωστής λειτουργίας του μοχλού ώθησης.	Συμβολή στην ασφάλεια του χειριστή και την αποτελεσματική λειτουργία του Καρφωτικού.	Καθαρισμός με αέρα καθημερινά.

ΕΠΙΛΥΣΗ ΠΡΟΒΛΗΜΑΤΩΝ

Χρησιμοποιήστε τις επιθεωρήσεις του παρακάτω πίνακα εάν το εργαλείο δεν λειτουργεί φυσιολογικά. Εάν τα παρακάτω δεν επιλύουν το πρόβλημα, επικοινωνήστε με την αντιπρόσωπο σας ή με το εξουσιοδοτημένο κέντρο εξυπηρέτησης της HiKOKI.

ΠΡΟΒΛΗΜΑ	ΜΕΘΟΔΟΣ ΕΛΕΓΧΟΥ	ΔΙΟΡΘΩΣΗ
Ο διακόπτης ισχύος δεν ενεργοποιείται. Ενεργοποιείται μία φορά, αλλά απενεργοποιείται αυτόματα.	Χαμηλό φορτίο μπαταρίας.	Φορτίστε την μπαταρία.
	Κατεστραμμένα εσωτερικά ηλεκτρονικά.	Επικοινωνήστε με τη HiKOKI για αντικατάσταση.
	Ο μοχλός ώθησης και/ή η σκανδάλη ενεργοποίησης είναι σε κατάσταση ενεργοποίησης;	Κρατήστε τον μοχλό ώθησης και τη σκανδάλη ενεργοποίησης σε κατάσταση απενεργοποίησης.
	Καμία λειτουργία για πάνω από 30 λεπτά; (Λειτουργία αυτόματης απενεργοποίησης)	Πιέστε παρατεταμένα τον διακόπτη ισχύος για περισσότερο από 1 δευτερόλεπτο για ενεργοποίηση
Το καρφωτικό δεν λειτουργεί (Διακόπτης ισχύος στη θέση ON (Ενεργοποίηση)).	Το καρφωτικό δεν πιέζεται αρκετά στο προς κατεργασία τεμάχιο.	Κρατήστε σταθερά το καρφωτικό και πιέστε το εντελώς στο προς κατεργασία τεμάχιο.
	Η σκανδάλη ενεργοποίησης δεν τραβήχτηκε αρκετά.	Τραβήξτε τη σκανδάλη ενεργοποίησης σταθερά.
	Πάνω από 2 δευτερόλεπτα περνάνε από την ενεργοποίηση του μοχλού ώθησης ως την ενεργοποίηση της σκανδάλης ενεργοποίησης (ή από την ενεργοποίηση της σκανδάλης ενεργοποίησης ως την ενεργοποίηση του μοχλού ώθησης).	Βεβαιωθείτε ότι περνούν λιγότερο από 2 δευτερόλεπτα μεταξύ της ενεργοποίησης του μοχλού ώθησης και της ενεργοποίησης της σκανδάλης ενεργοποίησης (ή μεταξύ της ενεργοποίησης του μοχλού ώθησης και της ενεργοποίησης της σκανδάλης ενεργοποίησης).
	Ενεργοποιήθηκε ο προληπτικός μηχανισμός. (Δεν υπάρχουν καρφιά ή απομένουν πολύ λίγοι συνδετήρες) (εκτός του NT1850DBSL)	Επαναποθετήστε τα καρφιά μέσα στον γεμιστήρα.
	Ο μοχλός ασφάλισης του διακόπτη (Λειτουργία κλειδώματος σκανδάλης ενεργοποίησης) είναι στη θέση «ON» (Ενεργοποίηση).	Θέστε τον μοχλό κλειδώματος διακόπτη στη θέση «OFF» (Απενεργοποίηση). (Ανατρέξτε στην Εικ. 8)
	Το μηχάνημα είναι πολύ κρύο (κάτω των -5°C) ή πολύ θερμό. (Η λυχνία LED αναβοσβήνει σε τακτά χρονικά διαστήματα και ο διακόπτης ισχύος σβήνει μετά από 10 δευτερόλεπτα.) (Ανατρέξτε στη σελίδα 204)	Αφήστε το καρφωτικό να κρυώσει ή να θερμανθεί καλά για να είναι σε ικανοποιητική κατάσταση.
	Κατεστραμμένα εσωτερικά ηλεκτρονικά.	Επικοινωνήστε με τη HiKOKI για αντικατάσταση.

ΠΡΟΒΛΗΜΑ	ΜΕΘΟΔΟΣ ΕΛΕΓΧΟΥ	ΔΙΟΡΘΩΣΗ
Το καρφωτικό λειτουργεί, αλλά δεν προωθείται κανένα καρφί.	Ο γεμιστήρας είναι βρώμικος.	Φυσιξήτε και καθαρίστε τον γεμιστήρα.
	Ελέγξτε για εμπλοκή.	Αποκατάσταση μιας εμπλοκής (ανατρέξτε στις Εικ. 26, 27).
	Η λεπίδα προώθησης είναι σκουριασμένη ή κατεστραμμένη;	Επικοινωνήστε με τη ΗΙΚΟΚΙ για αντικατάσταση.
	Το ελατήριο της λωρίδας είναι εξασθενημένο ή είναι κατεστραμμένο;	Αντικαταστήστε το ελατήριο της λωρίδας.
	Τροφοδότης καρφιών κατεστραμμένος;	Αντικαταστήστε τον τροφοδότη καρφιών.
	Ελέγξτε την καταλληλότητα των καρφιών.	Να χρησιμοποιείτε μόνο τα συνιστώμενα καρφιά.
Αδύναμη προώθησης. Αργός κύκλος.	Ελέγξτε τη θέση του ρυθμιστή προσαρμογής βάθους καρφώματος.	Ρυθμίστε εκ νέου σύμφωνα με τις Εικ. 19, 20 .
	Η λεπίδα-οδηγός είναι φθαρμένη;	Επικοινωνήστε με τη ΗΙΚΟΚΙ για αντικατάσταση.
	Η πίεση πεπιεσμένου αέρα έχει μειωθεί.	Επικοινωνήστε με τη ΗΙΚΟΚΙ για αντικατάσταση.
	Κατεστραμμένα εσωτερικά ηλεκτρονικά.	Επικοινωνήστε με τη ΗΙΚΟΚΙ για αντικατάσταση.
Πολύ βαθιά προώθηση.	Ελέγξτε τη θέση του ρυθμιστή προσαρμογής βάθους καρφώματος.	Ρυθμίστε εκ νέου σύμφωνα με τις Εικ. 19, 20 .
Παράκαμψη καρφιών. Διακεκομμένη τροφοδότηση.	Ελέγξτε την καταλληλότητα των καρφιών.	Να χρησιμοποιείτε μόνο τα συνιστώμενα καρφιά.
	Τροφοδότης καρφιών κατεστραμμένος;	Αντικαταστήστε τον τροφοδότη καρφιών.
	Το ελατήριο της λωρίδας είναι εξασθενημένο ή είναι κατεστραμμένο;	Αντικαταστήστε το ελατήριο της λωρίδας.
	Η λεπίδα προώθησης είναι σκουριασμένη ή κατεστραμμένη;	Επικοινωνήστε με τη ΗΙΚΟΚΙ για αντικατάσταση.
Εμπλοκή καρφιού. Το προωθημένο καρφί είναι λυγισμένο.	Ελέγξτε την καταλληλότητα των καρφιών.	Να χρησιμοποιείτε μόνο τα συνιστώμενα καρφιά.
	Η λεπίδα προώθησης είναι σκουριασμένη ή κατεστραμμένη;	Επικοινωνήστε με τη ΗΙΚΟΚΙ για αντικατάσταση.

OGÓLNE WSKAZÓWKI BEZPIECZEŃSTWA DOTYCZĄCE ELEKTRONARZĘDZI

⚠ OSTRZEŻENIE

Należy dokładnie zapoznać się ze wszystkimi ostrzeżeniami i wskazówkami bezpieczeństwa. Nieprzestrzeganie ostrzeżeń oraz wskazówek bezpieczeństwa może być przyczyną porażenia prądem, pożaru i/lub poważnych obrażeń.

Ostrzeżenia i wskazówki bezpieczeństwa należy zachować do wglądu.

Wykorzystywane w treści wskazówek bezpieczeństwa określenie „elektronarzędzie” odnosi się do narzędzi zasilanych z sieci elektrycznej (przewodowych) lub z akumulatora (beprzewodowych).

1) Bezpieczeństwo na stanowisku pracy

- Stanowisko pracy należy utrzymywać w czystości i odpowiednio oświetlać. Nieporządek lub nieodpowiednie oświetlenie stanowiska pracy może być przyczyną wypadków.
- Elektronarzędzi nie należy użytkować w miejscach zagrożonych wybuchem, na przykład w pobliżu łatwopalnych cieczy, gazów lub pyłów. Pracujące elektronarzędzie wytwarza iskry, które mogą spowodować zapłon pyłu lub oparów.
- Dzieci oraz osoby postronne powinny pozostawać z dala od pracującego elektronarzędzia. Dekoncentracja może być przyczyną utraty kontroli nad elektronarzędziem.

2) Bezpieczeństwo elektryczne

- Wtyczka elektronarzędzia musi pasować do gniazda sieciowego. Wtyczki nie wolno w jakikolwiek sposób modyfikować. Elektronarzędzia posiadające uziemienie nie powinny być użytkowane z wtyczkami przejściowymi. Użytkowanie niemodyfikowanych wtyczek oraz korzystanie z odpowiednich gniazd sieciowych zmniejsza ryzyko porażenia prądem.
- Należy unikać kontaktu z powierzchniami jakichkolwiek uziemionych elementów, takich jak rury, grzejniki, kuchenki lub chłodziarki. Ryzyko porażenia prądem wzrasta, gdy ciało jest uziemione.
- Elektronarzędzi nie wolno narażać na działanie deszczu lub wilgoci. Obecność wody wewnątrz elektronarzędzia zwiększa ryzyko porażenia prądem.
- Przewodu zasilającego nie wolno używać w sposób niezgodny z jego przeznaczeniem. Przewodu zasilającego nie wolno używać do przenoszenia bądź ciągnięcia elektronarzędzia, ani do odłączania go od zasilania. Przewód zasilający należy chronić przed kontaktem ze źródłami ciepła, olejem, ostrymi krawędziami lub poruszającymi się częściami. Uszkodzony lub zapętlony przewód zasilający zwiększa ryzyko porażenia prądem.
- W przypadku użytkowania elektronarzędzia na wolnym powietrzu należy korzystać z przedłużaczy do tego celu przeznaczonych. Używanie przedłużaczy przeznaczonych do pracy na wolnym powietrzu zmniejsza ryzyko porażenia prądem.

- Jeżeli praca elektronarzędziem musi być wykonywana w miejscu o dużej wilgotności, należy zawsze korzystać ze źródła zasilania zabezpieczonego wyłącznikiem różnicowoprądowym. Korzystanie z wyłącznika różnicowoprądowego zmniejsza ryzyko porażenia prądem.

3) Bezpieczeństwo osobiste

- Podczas użytkowania elektronarzędzia należy zachowywać ostrożność, koncentrować się na wykonywanej pracy i postępować zgodnie z zasadami zdrowego rozsądku. Elektronarzędzia nie powinny być użytkowane przez osoby zmęczone lub znajdujące się pod wpływem substancji odurzających, alkoholu bądź leków. Chwila nieuwagi podczas użytkowania elektronarzędzia może być przyczyną poważnych obrażeń.
 - Należy używać wyposażenia ochronnego. Należy zawsze nosić okulary ochronne. Stosowane – odpowiednio do panujących warunków – wyposażenie ochronne, takie jak maska przeciwpyłowa, obuwie antypoślizgowe, kask lub słuchawki ochronne, zmniejsza ryzyko odniesienia obrażeń.
 - Należy uniemożliwić przypadkowe uruchomienie. Przed podłączeniem elektronarzędzia do gniazda zasilania i/lub zestawu akumulatorowego, a także przed podniesieniem lub przeniesieniem go, należy upewnić się, że wyłącznik znajduje się w położeniu wyłączenia. Ze względów bezpieczeństwa nie należy przenosić elektronarzędzi, trzymając palec na wyłączniku, ani podłączać do zasilania elektronarzędzi, których wyłącznik znajduje się w położeniu włączenia.
 - Przed włączeniem elektronarzędzia usunąć wszystkie klucze regulacyjne. Pozostawienie klucza regulacyjnego połączonego z częścią obrotową elektronarzędzia może być przyczyną obrażeń.
 - Nie sięgać elektronarzędziem zbyt daleko. Należy zawsze pamiętać o stabilnej postawie i zachowaniu równowagi. Zapewnia to lepsze panowanie nad elektronarzędziem w nieoczekiwanych sytuacjach.
 - Należy nosić odpowiednią odzież. Nie nosić luźnej odzieży ani biżuterii. Chronić włosy, odzież i rękawice przed kontaktem z ruchomymi częściami urządzenia. Luźna odzież, biżuteria lub długie włosy mogą zostać pochwycone i wciągnięte przez ruchome części narzędzia.
 - Jeżeli elektronarzędzie wyposażone jest w złącze dla urządzenia do odprowadzania i gromadzenia pyłów, należy pamiętać o właściwym podłączeniu i poprawnym użytkowaniu takiego urządzenia. Korzystanie z urządzeń do odprowadzania i gromadzenia pyłu zmniejsza zagrożenie związane z obecnością pyłu.
- #### 4) Obsługa i konserwacja elektronarzędzi
- Nie używać elektronarzędzia ze zbyt dużą siłą. Należy wykorzystywać elektronarzędzie odpowiednie dla wykonywanej pracy. Elektronarzędzie przeznaczone do wykonania określonej pracy wypełni swoje zadanie lepiej i w sposób bardziej bezpieczny, jeżeli praca będzie wykonywana z zalecaną prędkością.

- b) Nie należy użytkować elektronarzędzia, którego wyłącznik jest uszkodzony.
Każde elektronarzędzie, które nie może być właściwie włączane ani wyłączane, stanowi zagrożenie i musi zostać naprawione.
- c) Przed przystąpieniem do jakichkolwiek regulacji bądź wymiany akcesoriów oraz kiedy urządzenie nie będzie używane przez dłuższy czas wyciskę elektronarzędzia należy odłączyć od źródła zasilania i/lub zestaw akumulatorowy od elektronarzędzia.
Powyższe środki bezpieczeństwa mają na celu wyeliminowanie ryzyka przypadkowego uruchomienia urządzenia.
- d) Nieużywane elektronarzędzia powinny być przechowywane w miejscu niedostępnym dla dzieci; osobom, które nie znają zasad obsługi elektronarzędzi lub niniejszych zaleceń nie wolno udzielać pozwolenia na użytkowanie elektronarzędzia.
Użytkowanie elektronarzędzi przez osoby, które nie zostały właściwie poinstruowane, może stanowić zagrożenie.
- e) Elektronarzędzia należy konserwować. Przed rozpoczęciem pracy należy sprawdzić, czy ruchome części są poprawnie umieszczone, czy nie są zakleszczone lub uszkodzone i czy nie występują jakiegokolwiek inne okoliczności, które mogłyby uniemożliwić bezpieczną pracę elektronarzędzia.
W razie uszkodzenia przed kolejnym użyciem elektronarzędzie musi zostać naprawione. Wiele wypadków następuje z powodu nieprawidłowej konserwacji elektronarzędzi.
- f) Narzędzia tnące powinny być zawsze ostre i czyste.
Narzędzia tnące powinny być utrzymywane we właściwym stanie, z odpowiednio ostrymi krawędziami tnącymi – zmniejsza to ryzyko zakleszczenia narzędzia i ułatwia kontrolę nad nim.
- g) Elektronarzędzia, akcesoria, wiertła, narzędzia tnące itp. należy zawsze obsługiwać w sposób zgodny z zaleceniami niniejszej instrukcji, biorąc pod uwagę warunki robocze oraz rodzaj wykonywanej pracy.
Używanie elektronarzędzia w celach niezgodnych z jego przeznaczeniem może stanowić zagrożenie.
- 5) **Obsługa i konserwacja elektronarzędzia akumulatorowego**
- a) Do ładowania można wykorzystywać wyłącznie ładowarki wymienione przez producenta.
Ładowarka właściwa dla ładowania konkretnego typu zestawów akumulatorowych może wywołać pożar, jeśli zostanie użyta do ładowania innego typu zestawów akumulatorowych.
- b) Do zasilania elektronarzędzi należy używać wyłącznie przeznaczonych dla nich zestawów akumulatorowych.
Używanie innych zestawów akumulatorowych może być przyczyną obrażeń lub pożaru.
- c) Jeśli zestaw akumulatorowy nie jest używany, należy go przechowywać z dala od innych metalowych przedmiotów, takich jak spinacze do papieru, monety, klucze, gwoździe, śruby, bądź inne niewielkie metalowe przedmioty, które mogą spowodować zwarcie zacisków.
Zwarcie zacisków akumulatora może być przyczyną poparzeń lub pożaru.
- d) W skrajnie niesprzyjających warunkach może dojść do wycieku elektrolitu z akumulatora – należy unikać kontaktu z elektrolitem. Jeśli dojdzie do przypadkowego kontaktu z elektrolitem, miejsce kontaktu należy przepłukać wodą. W przypadku kontaktu elektrolitu z oczami należy dodatkowo zgłosić się do lekarza.
Elektrolit wyciekający z akumulatora może powodować podrażnienia lub poparzenia.
- 6) **Serwis**
- a) Elektronarzędzia mogą być serwisowane wyłącznie przez wykwalifikowanych techników serwisowych, z zastosowaniem oryginalnych części zamiennych.
Jest to gwarancją utrzymania bezpieczeństwa obsługi elektronarzędzia.

UWAGA

Dzieci oraz osoby niepełnosprawne powinny pozostawać z dala od pracującego elektronarzędzia. Nieużywane elektronarzędzia powinny być przechowywane w miejscu niedostępnym dla dzieci i osób niepełnosprawnych.

OSTRZEŻENIA DOTYCZĄCE AKUMULATOROWEJ SZTYFCIARKI/ GWOŹDIARKI DO DRUCIAKÓW

- Zawsze należy zakładać, że w narzędziu znajdują się elementy mocujące.**
Nieostrożne obchodzenie się z gwoździarką może spowodować nagłe wystrzelenie elementów mocujących i obrażenia ciała.
- Nie kierować narzędzia w kierunku do siebie, ani żadnych osób znajdujących się w pobliżu.**
Niezamierzone wciśnięcie przełącznika spustowego narzędzia spowoduje wystrzelenie elementu mocującego i obrażenia ciała.
- Nie uruchamiać narzędzia, jeśli nie jest ono mocno przyłożone do obrabianego elementu.**
Jeśli narzędzie nie styka się z obrabianym przedmiotem, element mocujący może odbić się rykoszetem i nie trafić w żądane miejsce.
- Odłączyć narzędzie od źródła zasilania, jeśli element mocujący zablokuje się w narzędziu.**
Podczas usuwania zablokowanego elementu mocującego może dojść do przypadkowego uruchomienia gwoździarki, jeśli będzie ona podłączona do zasilania.
- Podczas usuwania zakleszczonego elementu mocującego należy zachować ostrożność.**
W czasie próby usunięcia zakleszczenia mechanizm może być ściśnięty, a element mocujący może zostać wystrzelony z dużą siłą.
- Nie używać tej gwoździarki do mocowania kabli elektrycznych.**
Gwoździarka nie jest przeznaczona do instalacji kabli elektrycznych i może uszkodzić ich izolację, powodując porażenie prądem lub ryzyko pożaru.

DODATKOWE WSKAZÓWKI BEZPIECZEŃSTWA

- Bezpieczna obsługa dzięki prawidłowemu użytkowaniu.**
To narzędzie jest przeznaczone do wbijania gwoździ w drewno i podobne materiały. Należy go używać wyłącznie zgodnie z przeznaczeniem.

2. Zachować ostrożność, aby nie wywołać zapłonu i wybuchu.

Ponieważ podczas wbijania gwoździ mogą powstawać iskry, używanie tego narzędzia w pobliżu lakieru, farby, benzyny, rozcieńczalnika, gazu, klejów i podobnych łatwopalnych substancji jest niebezpieczne, ponieważ takie substancje mogą się zapalić lub eksplodować. Z tego powodu tego narzędzia nie wolno pod żadnym pozorem używać w pobliżu takich łatwopalnych materiałów.

3. Należy zawsze korzystać ze środków ochrony wzroku (okularów ochronnych).



Podczas obsługi tego elektronarzędzia należy zawsze korzystać ze środków ochrony wzroku i dopilnować, aby osoby znajdujące się w pobliżu również korzystały ze środków ochrony wzroku.

Istnieje ryzyko, że fragmenty nieprawidłowo wbitego gwoździa trafią w oko, co stanowi zagrożenie dla wzroku. Środki ochrony wzroku można zakupić w dowolnym sklepie z narzędziami. Podczas obsługi tego narzędzia należy zawsze korzystać ze środków ochrony wzroku. Używać okularów ochronnych lub szerokiej przezroczystej maski założonej na okulary korekcyjne.

Pracodawcy są zobowiązani dopilnować, by pracownicy zawsze stosowali środki ochrony wzroku.

4. Korzystać ze środków ochrony słuchu i głowy.

Podczas wbijania gwoździ należy zawsze korzystać z ochronników słuchu i kasku. Poza tym, w zależności od okoliczności, dopilnować, aby osoby znajdujące się w pobliżu również korzystały z ochronników słuchu i kasków.

5. Należy zwracać uwagę na osoby pracujące w pobliżu.

Trafienie innej osoby nieprawidłowo wbijanym gwoździem byłoby bardzo niebezpieczne. Z tej przyczyny podczas korzystania z tego narzędzia należy zawsze zwracać uwagę na bezpieczeństwo osób w pobliżu. Zawsze dopilnować, by wylot gwoździa narzędzia nie znajdował się w pobliżu ciała, dłoni lub stóp jakiegokolwiek osoby.

6. Nigdy nie kierować wylotu gwoździa w kierunku osób.



Zawsze zakładać, że w narzędziu znajdują się elementy mocujące.

Jeśli wylot gwoździa będzie na kogoś skierowany, omyłkowe uruchomienie narzędzia może stać się przyczyną poważnego wypadku. Podczas podłączania lub odłączania akumulatora, podczas wkładania gwoździa lub podobnych czynności, dopilnować, aby wylot gwoździa nie był skierowany w stronę żadnej osoby (wliczając siebie). Nawet jeśli w narzędziu nie ma żadnych gwoździ, uruchamianie narzędzia skierowanego w stronę jakiegokolwiek osoby jest niebezpieczne, dlatego nigdy nie wolno tego robić. Nie wolno bawić się narzędziem. To narzędzie pracy należy szanować.

7. Przed użyciem sprawdź dzwignię popychającą.

Sprawdź, czy dzwignia popychająca działa prawidłowo. (Dzwignię popychającą możemy nazwać „elementem bezpieczeństwa”). Nigdy nie używać gwoździarki, jeśli dzwignia popychająca nie działa prawidłowo, ponieważ w przeciwnym razie może dojść do nieoczekiwane go wbiać elementu mocującego. Nie manipulować dzwignią popychającą ani jej nie demontować, ponieważ w przeciwnym razie nie będzie ona nadawać się do użytku.

8. Wybór metody wyzwalania jest ważny.

Przeczytaj ze zrozumieniem rozdział „UŻYWANIE GWOŹDZIARKI” na stronie 225.

9. Przed rozpoczęciem korzystania z tego produktu należy upewnić się, że działa prawidłowo i zgodnie z treścią rozdziału „Testowanie gwoździarki” na stronie 223.

10. Używać wyłącznie wyznaczonych gwoździ.

Nigdy nie używać gwoździ innych niż podane i opisane w niniejszej instrukcji.

11. Zachować ostrożność podczas podłączania akumulatora.

Abym przypadkowo nie uruchomił narzędzia podczas podłączania akumulatora i ładowania gwoździa, należy przestrzegać poniższych zaleceń.

- Nie dotykać przełącznika spustowego.
 - Nie dopuścić, aby głowica gwoździarki dotykała jakiegokolwiek powierzchni.
 - Trzymać głowicę gwoździarki skierowaną w dół.
- Ścisłe przestrzegać powyższych zaleceń i zawsze dopilnowywać, aby żadna część ciała, dłoni ani nóg nie znajdowała się naprzeciwko wylotu gwoździa.

12. Nie umieszczać nieostrożnie palca na przełączniku spustowym.

Nie kłaść palca na przełączniku spustowym, jeśli właśnie nie wbija się gwoździ. Przenoszenie tego narzędzia lub przekazywanie go innej osobie z palcem umieszczonym na przełączniku spustowym, może spowodować przypadkowe wystrzelenie gwoździa i wypadek.

13. Mocno docisnąć wylot gwoździa do materiału, w który ma zostać wbity góźdź.

Podczas wbijania gwoździa mocno dociskać wylot gwoździa do materiału, w który ma zostać wbity góźdź. Jeśli wylot nie zostanie dociśnięty prawidłowo, góźdź może odbić się rykoszetem.

14. Trzymać dłonie i stopy z dala od głowicy gwoździarki podczas korzystania z narzędzia.

Przypadkowe trafienie gwoździem w dłoń lub stopę jest bardzo niebezpieczne.



15. Uważać na odrzut narzędzia.

Nie zbliżać głowy itp. do górnej powierzchni narzędzia podczas jego użytkowania. Jest to niebezpieczne, ponieważ narzędzie może gwałtownie odskoczyć, jeśli właśnie wbijany góźdź natrafi na wcześniej wbity góźdź lub sęk w drewnie.

16. Należy uważać na podwójny strzał spowodowany odrzutem.

Jeśli dojdzie do ponownego kontaktu dzwigni popychającej z obrabianym przedmiotem z powodu odrzutu, może zostać wstrzelony niechciany element mocujący.

Abym uniknąć niepożądanego podwójnego strzału,

- Praca przerywana (strzał wyzwalany)
 - 1) Ustawić urządzenie przełączającej na MECHANIZM URUCHAMIAJĄCY W PEŁNEJ SEKWENCJI.
 - 2) Szybko i zdecydowanie pociągnąć za spust.
- Praca ciągła (dzwignia popychająca naciśnięta)
 - 1) Nie dociskać gwoździarki od drewna z nadmierną siłą.
 - 2) Należy odsunąć gwoździarkę od drewna z uwagi na odrzut następujący po wstrzeleniu elementu mocującego.

17. Zachować ostrożność podczas wbijania gwoździ w cienie deski lub drewniane narożniki.

Podczas wbijania gwoździa w cienie deski gwoździe mogą przechodzić przez nie na wylot. To samo może mieć miejsce podczas wbijania gwoździ w narożniki z drewna z uwagi na odchylenie przebiegu gwoździa. W takich przypadkach należy zawsze dopilnować, aby nikt (ani niczyje dłonie lub stopy, itp.) nie znajdował się za cienką deską lub obok drewnianego elementu, w który ma zostać wbity góźdź.

- 18. Jednoczesne wbijanie gwoździ z obu stron jednej ściany jest niebezpieczne.**
Pod żadnym pozorem nie wolno jednocześnie wbijać gwoździ z obu stron jednej ściany. Jest to bardzo niebezpieczne, ponieważ gwoździe mogą przejść na wyłot przez ścianę i spowodować obrażenia ciała.
- 19. Nie używać tego elektronarzędzia na rusztowaniach, ani na drabinach.**
Tego elektronarzędzia nie wolno używać do pewnych zastosowań, na przykład:
– jeśli zmiana miejsca wbijania gwoździ wiąże się z korzystaniem z rusztowań, schodów, drabin lub konstrukcji zbliżonych do drabin, np. konstrukcji dachowych,
– do zamykania gwoździami pudełek lub skrzyń,
– do mocowania systemów zabezpieczających na czas transportu np. na pojazdach i wagonach
- 20. Usunąć wszystkie pozostałe elementy mocujące i wyjąć akumulator z gwoździarki:**
1) przed rozpoczęciem czynności konserwacyjnych i przeglądu;
2) przed sprawdzaniem prawidłowego działania dźwigni popychającej i przełącznika spustowego;
3) przed założeniem lub zdjęciem osłony czołowej
4) przed usunięciem zablokowanego gwoździa;
5) gdy narzędzie nie jest w użyciu;
6) w przypadku opuszczania miejsca pracy;
7) przed przeniesieniem narzędzia w inne miejsce; oraz
8) przed przekazaniem narzędzia innej osobie.
Nigdy nie próbować usuwać zakleszczenia ani naprawiać gwoździarki przed odłączeniem od niej akumulatora i usunięciem z niej wszystkich pozostałych elementów mocujących.
Gwoździarki nie wolno nigdy pozostawiać bez nadzoru, ponieważ osoby nie zaznajomione z gwoździarką mogą jej użyć i się zranić.
- 21. Należy wyjąć akumulator z gwoździarki przed:**
1) ładowaniem gwoździ;
2) ustawianiem regulatora.
- 22. Odłączanie akumulatora.**
Podczas zakładania i zdejmowania osłony czołowej. Podczas zakładania nakładki na końcówkę dźwigni i podczas jej odłączania, należy wcześniej odłączyć akumulator. Przypadkowy wystrzał gwoździa jest bardzo niebezpieczny.
- 23. Temperatura otoczenia przy eksploatacji tego narzędzia musi mieścić się w zakresie od 0°C do 40°C i należy tego przestrzegać. Urządzenie może nie działać w temperaturze poniżej 0°C lub powyżej 40°C.**
- 24. Akumulator należy zawsze ładować w temperaturze otoczenia 0–40°C.**
Temperatura poniżej 0°C może być przyczyną przeciążenia, które jest niebezpieczne. Akumulator nie może być ładowany w temperaturze wyższej niż 40°C. Najodpowiedniejszy zakres temperatury, w której można prowadzić ładowanie to 20-25°C.
- 25. Ładowarki nie należy używać nieprzerwanie.**
Po zakończeniu jednego ładowania, a przed rozpoczęciem kolejnego ładowania akumulatora, ładowarkę należy pozostawić na około 15 minut.
- 26. Komorę, w której umieszczony jest akumulator, należy chronić przed zabrudzeniem.**
- 27. Nigdy nie demontować akumulatora ani ładowarki.**
- 28. Nigdy nie zwierać zacisków akumulatora.**
Zwarcie zacisków akumulatora powoduje wygenerowanie wysokiego napięcia i przegrzanie. Wynikiem tego może być spalenie lub uszkodzenie akumulatora.
- 29. Akumulatora nie wolno wrzucać do ognia.**
Podpalenie akumulatora może spowodować jego wybuch.
- 30. Korzystanie z w pełni wyczerpanego akumulatora spowoduje uszkodzenie ładowarki.**
- 31. Akumulator należy przekazać do punktu sprzedaży, w którym został zakupiony, kiedy tylko jego żywotność po naładowaniu uniemożliwia jego efektywne użytkowanie.**
Nie wyrzucać zużytego akumulatora.
- 32. W otwory wentylacyjne ładowarki nie wolno wkładać żadnych przedmiotów.**
Umieszczanie w otworach wentylacyjnych ładowarki metalowych lub łatwopalnych przedmiotów powoduje powstanie zagrożenia porażeniem prądem lub uszkodzenia ładowarki.
- 33. NIGDY nie zezwalać, aby magnesy (lub podobne urządzenia magnetyczne) znajdowały się w bezpośredniej bliskości gwoździarki, ponieważ w gwoździarkę wbudowany jest czujnik magnetyczny.**
W przeciwnym razie dojdzie do awarii lub wystąpienia ryzyka obrażeń ciała spowodowanego usterką.
- 34. Przerwa w pracy elektronarzędzia.**
- 35. Narzędzie wyposażone jest w obwód zabezpieczający przed przegrzaniem, który chroni silnik.**
Ciągła praca może spowodować wzrost temperatury urządzenia, co z kolei powoduje uruchomienie obwodu zabezpieczającego przed przegrzaniem i automatyczne wyłączenie urządzenia. W takim przypadku, przed ponownym rozpoczęciem pracy, należy odczekać, aż narzędzie ostygnie.
- 36. W przypadku wykrycia nieprawidłowości ten produkt może przestać działać. W takich wypadkach należy sprawdzić pozycje podane w rozdziale „ROZWIĄZYWANIE PROBLEMÓW” na stronie 228.**
- 37. Nie należy narażać panelu kontrolnego na silne uderzenie lub go niszczyć. Może to prowadzić do usterki.**
- 38. Nie używać produktu, jeśli narzędzie lub styki akumulatora (mocowanie akumulatora) są odkształcone.**
Włócenie akumulatora do narzędzia może spowodować zwarcie, które może prowadzić do emisji dymu lub zapłonu.
- 39. Utrzymywać styki narzędzia (mocowanie akumulatora) wolne od opiłków, wiórów i pyłu.**
○ Przed użyciem sprawdzić, czy w okolicy styków akumulatora nie doszło do nagromadzenia wiórów, opiłków i pyłu.
○ Podczas eksploatacji unikać opadania wiórów, opiłków lub pyłu z narzędzia na akumulator.
○ W przypadku wstrzymania pracy lub po użyciu nie pozostawiać narzędzia w miejscu narażonym na spadające opiłki, wióry lub pył.
W przeciwnym razie może dojść do zwarcia, które może prowadzić do emisji dymu lub zapłonu.

UWAGI DOTYCZĄCE AKUMULATORA LITOWO-JONOWEGO

W celu wydłużenia żywotności akumulatora litowo-jonowego został on wyposażony w funkcję wyłączania zasilania.

W przypadkach opisanych poniżej w punktach 1-3 silnik może się zatrzymać w czasie użytkowania elektronarzędzia, nawet jeżeli wyłącznik jest wciśnięty do położenia włączenia. Nie jest to oznaką awarii, ale efektem działania funkcji wyłączania.

1. Gdy akumulator się wyczerpie, silnik się wyłączy. W takim wypadku akumulator należy niezwłocznie naładować.

2. Silnik może się wyłączyć w przypadku przeciążenia elektronarzędzia. W takim wypadku należy zwolnić wyłącznik elektronarzędzia i wyeliminować przyczynę przeciążenia. Po wyeliminowaniu przeciążenia elektronarzędzie może być ponownie użytkowane.
3. Jeżeli w warunkach intensywnej pracy akumulator się przegrzeje, może to spowodować przerywanie zasilania z akumulatora.
W takim wypadku należy zaprzestać używania akumulatora i pozostawić go do ostygnięcia. Po wyeliminowaniu przeciążenia elektronarzędzie może być ponownie użytkowane.

Dodatkowo należy stosować się do poniższych ostrzeżeń i wskazówek.

OSTRZEŻENIE

Aby zapobiec wyciekowi z akumulatora, jego przegrzaniu, emisji dymu, wybuchowi lub zapaleniu się akumulatora, należy podjąć wszystkie wymienione poniżej środki ostrożności.

1. Należy się upewnić, że wióry i pył nie gromadzą się na akumulatorze.
- Podczas pracy należy zwracać uwagę, aby wióry i pył nie opadały na akumulator.
- Należy zwracać uwagę, aby wióry i pył, które opadają na akumulator, nie gromadziły się na jego powierzchni.
- Nie przechowywać nieużywanych akumulatorów w miejscach, w których mogą one wejść w kontakt z wirami i pyłem.
- Przed przechowywaniem akumulatora należy usunąć z niego wióry i pył; akumulatora nie należy przechowywać razem z metalowymi przedmiotami (śruby, gwoździe itp.).
2. Akumulatora nie wolno nakłuć ostrymi przedmiotami, takimi jak gwoździe, uderzać młotkiem, deptać, rzucać ani poddawać wstrząsom.
3. Nie używać akumulatora, który nosi wyraźne ślady uszkodzenia lub odkształcenia.
4. Nie korzystaj z akumulatora umieszczonego z odwróconą biegunowością.
5. Nie podłączaj akumulatora bezpośrednio do gniazda sieciowego lub gniazda zapalniczki samochodowej.
6. Nie używać akumulatora do celów innych, niż zgodne z jego przeznaczeniem.
7. Jeśli ładowanie akumulatora nie powiedzie się, nawet po upływie określonego czasu ładowania, należy natychmiast przerwać ładowanie.
8. Nie poddawać akumulatora działaniu wysokiej temperatury ani wysokiego ciśnienia, np. poprzez umieszczenie go w kuchence mikrofalowej, suszarce lub pojemniku ciśnieniowym.
9. W przypadku wycieku lub pojawienia się nieprzyjemnego zapachu upewnij się, że akumulator znajduje się z dala od źródeł ognia.
10. Nie używać akumulatora w miejscach, w których generowane są silne, elektryczne ładunki statyczne.
11. Jeśli w trakcie użytkowania, ładowania lub przechowywania akumulatora pojawi się nieprzyjemny zapach, dojdzie do wycieku, przegrzania, odbarwienia lub odkształcenia, bądź jeśli pojawi się jakkolwiek inna nieprawidłowość, akumulator należy natychmiast wyjąć z elektronarzędzia lub ładowarki i zaprzestać jego użytkowania.
12. Nie zanurzać akumulatora ani nie dopuść do dostania się do wnętrza jakiegokolwiek cieczy. Dostanie się do wnętrza cieczy przewodzącej prąd, takiej jak woda, może spowodować uszkodzenia skutkujące pożarem lub wybuchem. Akumulator należy przechowywać w chłodnym, suchym miejscu, z dala od materiałów palnych i łatwopalnych. Należy unikać miejsc narażonych na działanie gazów korozyjnych.

UWAGA

1. Jeśli elektrolit wyciekający z akumulatora dostanie się do oczu, nie wolno pocierać podrażnionego miejsca; oczy należy dokładnie przemyć czystą wodą, np. z kranu, i niezwłocznie skontaktować się z lekarzem. Nieusuwanie elektrolitu może spowodować uszkodzenie wzroku.
2. W przypadku kontaktu elektrolitu ze skórą lub odzieżą, miejsce kontaktu należy natychmiast dokładnie przemyć czystą wodą, np. z kranu.
Elektrolit może spowodować podrażnienie skóry.
3. Jeśli w trakcie pierwszego użycia akumulatora stwierdzona zostanie obecność rdzy, pojawi się nieprzyjemny zapach, dojdzie do przegrzania, odbarwienia, odkształcenia i/lub pojawią się inne nieprawidłowości, należy zaprzestać jego użytkowania i zwrócić go do dostawcy lub sprzedawcy.

OSTRZEŻENIE

Jeżeli przedmiot wykonany z materiału przewodzącego wejdzie w kontakt z zaciskiem akumulatora litowo-jonowego, może dojść do zwarcia akumulatora, a w wyniku tego – do pożaru. Przechowując akumulator litowo-jonowy należy stosować się do poniższych zaleceń.

- W opakowaniu do przechowywania nie wolno umieszczać żadnych przedmiotów wykonanych z materiałów przewodzących, gwoździ ani drutów, takich jak druty żelazne i druty miedziane.
- Aby zapobiec zwarciom, akumulator należy umieścić w elektronarzędziu lub w przypadku przechowywania, założyć na niego pokrywę, tak aby wywietrznik został zakryty.

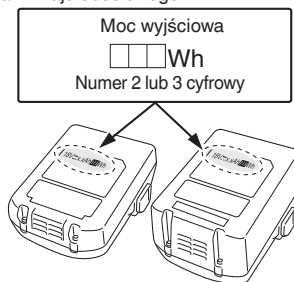
INFORMACJE DOTYCZĄCE TRANSPORTU AKUMULATORA LITOWO-JONOWEGO

Podczas transportowania akumulatora litowo-jonowego należy przestrzegać następujących środków ostrożności.

OSTRZEŻENIE

Należy powiadomić firmę transportową, że opakowanie zawiera akumulator litowo-jonowy, powiadomić firmę o jego mocy wyjściowej i postępować zgodnie z poleceniami firmy transportowej przy organizowaniu transportu.

- Akumulatory litowo-jonowe, które przekraczają moc 100 Wh, są w klasyfikacji ładunku określone jako niebezpieczne towary i będą wymagać specjalnych procedur aplikacji.
- W przypadku transportu za granicę, muszą być zgodne z międzynarodowymi przepisami prawa oraz zasadami i przepisami kraju docelowego.



NAZWY CZĘŚCI (Rys. 1 – Rys. 28)

①	Pokrywa górna
②	Przełącznik spustowy
③	Lampka LED
④	Wylot gwoździ (głowica)
⑤	Dźwignia popychająca
⑥	Podajnik gwoździ (A)
⑦	Podajnik gwoździ (B)
⑧	Magazynek
⑨	Zaczep
⑩	Akumulator
⑪	Dźwignia blokady przełącznika
⑫	Uchwyt
⑬	Dźwignia wyłącznika
⑭	Przełącznik z kontrolką akumulatora
⑮	Kontrolka akumulatora
⑯	Przełącznik gwoździowania
⑰	Kontrolka zasilania
⑱	Wyłącznik zasilania
⑲	Kontrolka gwoździowania
⑳	Taśma gwoździ
㉑	Pokrywa magazynu
㉒	Rowek
㉓	Prowadnica taśmy
㉔	Regulator
㉕	Płyta zaczepowa
㉖	Ostona czołowa
㉗	Dźwignia blokady
㉘	Płyta prowadząca


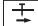
SYMBOLE

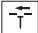


OSTRZEŻENIE

Następujące oznaczenia są symbolami używanymi w instrukcji elektronarzędzia. Przed rozpoczęciem użytkowania należy się upewnić, że ich znaczenie jest zrozumiałe.

	<p>NT 1865DBAL: Akumulatorowa sztyfciaarka</p> <p>NT 1865DBSL: Akumulatorowa sztyfciaarka</p> <p>NT 1850DBSL: Akumulatorowa gwoździarka do druciaków</p>
	Aby zmniejszyć ryzyko odniesienia obrażeń, użytkownik powinien przeczytać instrukcję obsługi.

	Dotyczy tylko państw UE Elektronarzędzi nie wolno wyrzucać wraz z odpadami z gospodarstwa domowego! Zgodnie z Dyrektywą Europejską 2012/19/UE w sprawie zużytego sprzętu elektrycznego i elektronicznego oraz wprowadzeniem jej zgodnie z prawem krajowym, zużyte elektronarzędzia należy posegregować i oddać do recyklingu w sposób przyjazny dla środowiska w wyspecjalizowanym zakładzie utylizacji.
	Prąd stały
	Włączanie
	Wyłączanie
	Odłącz akumulator
	Wyłącznik zasilania
	Wyłącznik zasilania WYŁĄCZONY
	Wyłącznik zasilania WŁĄCZONY Kontrolka zasilania: Świeci na zielono
	Przełącznik gwoździowania
	MECHANIZM URUCHAMIAJĄCY W PEŁNEJ SEKWENCJI
	Tryb MECHANIZMU URUCHAMIAJĄCEGO W PEŁNEJ SEKWENCJI Kontrolka gwoździowania: Świeci na niebiesko
	MECHANIZM URUCHAMIANIA PRZY STYKU
	Tryb MECHANIZMU URUCHAMIANIA PRZY STYKU Kontrolka gwoździowania: Miga na niebiesko
	Przełącznik spustowy zablokowany
	Mechanizm spustowy odblokowany
	Przełącznik z kontrolką akumulatora
	Akumulator jest dostatecznie naładowany Kontrolka akumulatora: 2 diody LED (czerwone) świecą
	Akumulator jest w połowie wyczerpany. Kontrolka akumulatora: 1 dioda LED (czerwona) świeci
	Akumulator jest niemal całkowicie wyczerpany. Należy jak najszybciej naładować akumulator. Kontrolka akumulatora: 1 dioda LED (czerwona) miga

	Należy skontaktować się z HiKOKI w celu przeprowadzenia kontroli. Kontrolka akumulatora: 2 diody LED migają na pomarańczowo, po 10 sekundach zostaje automatycznie wyłączony wyłącznik zasilania.
	Strona płytka

	Strona głęboka
	Ostrzeżenie
	Działanie niedozwolone

SPECYFIKACJE TECHNICZNE

1. Akumulatorowa sztyfcarka

Model	NT1865DBAL		NT1865DBSL	
Silnik	DC bezszczotkowy		DC bezszczotkowy	
Właściwy gwóźdź	15 Ga (Kąt: 34°)		16 Ga	
Właściwa długość gwoździa	32 mm do 65 mm		25 mm do 65 mm	
Pojemność magazynku [gwoździe]	100 (1 pasek)		100 (2 paski)	
Tryb strzelania	Pełna sekwencja/styk (do wyboru)		Pełna sekwencja/styk (do wyboru)	
Szybkość cyklu	[gwoździe/ sekunda]	3 (przerwy)		3 (przerwy)
Akumulator	Model	BSL1830C	BSL1830C	BSL1850
	Typ	Akumulator litowo-jonowy		
	Napięcie	DC 18 V		
Masa*	3,5 – 4,1 kg		3,4 – 4,0 kg	
Wymiary Wysokość x długość x szerokość	344 mm x 300 mm x 104 mm		315 mm x 298 mm x 104 mm	315 mm x 310 mm x 104 mm

* Zgodnie z procedurą EPTA 01/2014

W zależności od podłączonego akumulatora. Największy ciężar jest mierzony za pomocą BSL36B18 (sprzedawana oddzielnie).

2. Akumulatorowa gwoździarka do druciaków

Model	NT1850DBSL		
Silnik	DC bezszczotkowy		
Właściwy gwóźdź	18 Ga		
Właściwa długość gwoździa	16 mm do 50 mm		
Pojemność magazynku [gwoździe]	100 (1 pasek)		
Tryb strzelania	Pełna sekwencja/styk (do wyboru)		
Szybkość cyklu	[gwoździe/ sekunda]	3 (przerwy)	
Akumulator	Model	BSL1830C	BSL1850
	Typ	Akumulator litowo-jonowy	
	Napięcie	DC 18 V	
Masa*	3,3 – 4,0 kg		
Wymiary Wysokość x długość x szerokość	323 mm x 298 mm x 104 mm	323 mm x 310 mm x 104 mm	

* Zgodnie z procedurą EPTA 01/2014

W zależności od podłączonego akumulatora. Największy ciężar jest mierzony za pomocą BSL36B18 (sprzedawana oddzielnie).

3. Ładowarka

Model	UC18YFSL	UC18YML2
Napięcie ładowania	DC 14,4–18 V	
Masa	0,5 kg	0,7 kg

WSKAZÓWKA

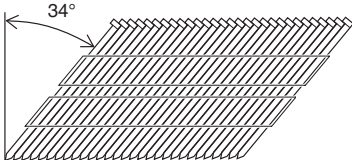
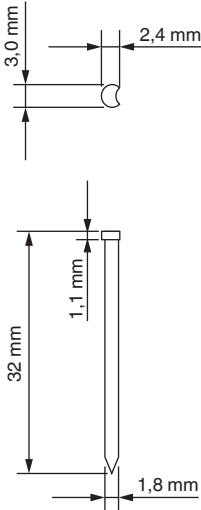

W związku z prowadzonym przez firmę HiKOKI programem badań i rozwoju, niniejsze specyfikacje techniczne mogą ulec zmianie bez wcześniejszego zawiadomienia.

WYBÓR GWOŹDZI

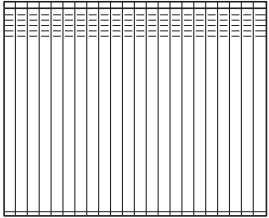
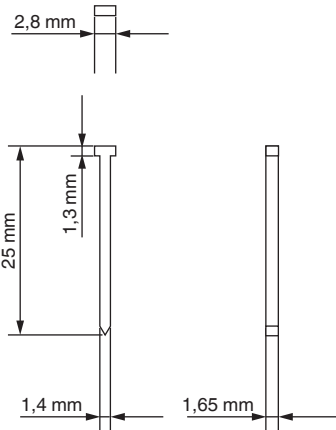

Za pomocą tej gwoździarki można wbijać wyłącznie gwoździe wymienione w poniższej tabeli.

Wymiary gwoździ

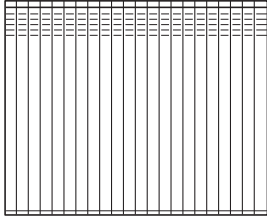
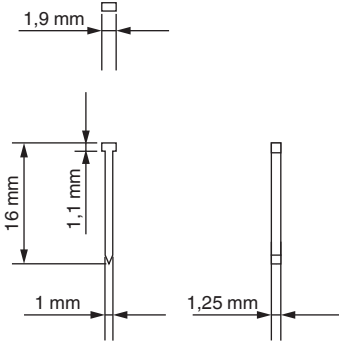

<NT1865DBAL>

	Min.	Maks.
<p>Gwoździe wykończeniowe 15 (Kąt: 34°)</p> 		

<NT1865DBSL>

	Min.	Maks.
<p>Gwoździe wykończeniowe 16 (prosto)</p> 		

<NT1850DBSL>

	Min.	Maks.
<p>Gwoździe druciaki 18 (prosto)</p> 		
Z wyłączeniem gwoździ o długości 35 mm		

AKCESORIA STANDARDOWE

Poza elektronarzędziem (1 narzędzie) w opakowaniu znajdują się akcesoria wymienione na stronie 378.

Akcesoria standardowe mogą ulec zmianie bez wcześniejszego zawiadomienia.

ZASTOSOWANIA

<NT1865DBAL, NT1865DBSL>

- Gwoździowanie jako proces wykańczania obszarów wokół drzwi, okien i obrzeży.
- Przytwierdzanie spodów szuflad. Budowa różnego rodzaju skrzyń i szafek.

<NT1850DBSL>

- Montaż szafek i ramek do zdjęć, wykańczanie mebli.
- Wykańczanie i profilowanie stacjonarnych i przenośnych elementów domowych.

ŁADOWANIE

Przed przystąpieniem do użytkowania elektronarzędzia należy naładować akumulator; w tym celu należy postępować w sposób opisany poniżej.

1. Podłączyć do źródła zasilania. (Rys. 3)

Ładowanie akumulatora ze źródła zasilania prądem zmiennym (AC)

- Podłączyć przewód zasilający ładowarki do gniazda sieciowego.

Po podłączeniu wtyczki ładowarki do gniazda sieciowego lampka kontrolna będzie migiała na czerwono (co 1 sekundę).

UWAGA

Nie należy używać uszkodzonego przewodu zasilającego. Uszkodzony przewód należy niezwłocznie przekazać do naprawy.

Ładowanie akumulatora z samochodowego źródła zasilania prądem stałym (DC) o napięciu 12 V (UC18YML2)

- Ładowarkę należy zamocować w samochodzie. Do zamocowania ładowarki i zabezpieczenia jej przed niezamierzonym przemieszczaniem należy użyć paska dostarczonego z ładowarką. (Patrz **Rys. 28**.)

UWAGA

Ładowarki ani akumulatora nie wolno umieszczać pod fotelem kierowcy. Ładowarkę należy zabezpieczyć przed niezamierzonym przemieszczaniem, gdyż w przeciwnym razie może być to przyczyną wypadku.



Rys. 28

- Umieścić wtyczkę do gniazda zapalniczki w gnieździe zapalniczki.

Jeżeli wtyczka jest luźna i wypada z gniazda zapalniczki, gniazdo należy naprawić. Ponieważ gniazdo może być wadliwe, zalecamy zgłoszenie się do miejscowego dealera samochodowego. Użytkowanie takiego gniazda może być przyczyną przegrzania, a tym samym wypadku.

2. Umieścić akumulator w ładowarce.

Dokładnie umieścić akumulator w ładowarce, aż do odsonięcia linii, jak pokazano na **Rys. 3**.

Linie nie są wyświetlane na UC18YFSL. Upewnij się, że akumulator jest poprawnie umieszczony.

3. Ładowanie

Po umieszczeniu akumulatora w ładowarce rozpocznie się ładowanie, a lampka kontrolna będzie palić się ciągłym, czerwonym światłem.

Po zakończeniu ładowania akumulatora lampka kontrolna będzie migać na czerwono. (co 1 sekundę) (Patrz **Tabela 1**.)

- (1) Wskazania lampki kontrolnej
Wskazania lampki kontrolnej są zilustrowane w **Tabeli 1**, w zależności od stanu ładowarki lub akumulatora.

Tabela 1

<UC18YFSL>

Wskazania lampki kontrolnej				
Lampka kontrolna (czerwona)	Przed ładowaniem	Miga	Pali się przez 0,5 sekundy. Nie pali się przez 0,5 sekundy. (Gaśnie na 0,5 sekundy.) ■ ■ ■ ■ ■ ■ ■ ■ ■ ■	/
	W trakcie ładowania	Pali się	Pali się nieprzerwanie. ■ ■ ■ ■ ■ ■ ■ ■ ■ ■	
	Ładowanie zakończone	Miga	Pali się przez 0,5 sekundy. Nie pali się przez 0,5 sekundy. (Gaśnie na 0,5 sekundy.) ■ ■ ■ ■ ■ ■ ■ ■ ■ ■	
	Oczekiwanie z powodu przegrzania	Miga	Pali się przez 1 sekundę. Nie pali się przez 0,5 sekundy. (Gaśnie na 0,5 sekundy.) ■ ■ ■ ■ ■ ■ ■ ■ ■ ■	Przegrzanie akumulatora. Ładowanie niemożliwe. (Ładowanie rozpocznie się po ostygnięciu akumulatora)
	Ładowanie jest niemożliwe	Miga szybko	Pali się przez 0,1 sekundy. Nie pali się przez 0,1 sekundy. (Gaśnie na 0,1 sekundy.) ■ ■ ■ ■ ■ ■ ■ ■ ■ ■	Wadliwe działanie akumulatora lub ładowarki.

<UC18YML2>

Wskazania lampki kontrolnej				
Lampka kontrolna pali się lub miga na czerwono.	Przed ładowaniem	Miga	Pali się przez 0,5 sekundy. Nie pali się przez 0,5 sekundy. (Gaśnie na 0,5 sekundy.) ■ ■ ■ ■ ■ ■ ■ ■ ■ ■	/
	W trakcie ładowania	Pali się	Pali się nieprzerwanie. ■ ■ ■ ■ ■ ■ ■ ■ ■ ■	
	Ładowanie zakończone	Miga	Pali się przez 0,5 sekundy. Nie pali się przez 0,5 sekundy. (Gaśnie na 0,5 sekundy.) ■ ■ ■ ■ ■ ■ ■ ■ ■ ■	
	Ładowanie jest niemożliwe	Miga szybko	Pali się przez 0,1 sekundy. Nie pali się przez 0,1 sekundy. (Gaśnie na 0,1 sekundy.) ■ ■ ■ ■ ■ ■ ■ ■ ■ ■	Wadliwe działanie akumulatora lub ładowarki.
Lampka kontrolna pali się lub miga na zielono.	Oczekiwanie z powodu przegrzania	Pali się	Pali się nieprzerwanie. ■ ■ ■ ■ ■ ■ ■ ■ ■ ■	Przegrzanie akumulatora. Ładowanie niemożliwe. (Ładowanie rozpocznie się po ostygnięciu akumulatora)
	Ładowanie za pośrednictwem samochodowego źródła zasilania jest niemożliwe	Miga	Pali się przez 0,5 sekundy. Nie pali się przez 0,5 sekundy. (Gaśnie na 0,5 sekundy.) ■ ■ ■ ■ ■ ■ ■ ■ ■ ■	Uszkodzone zasilanie DC 12 V

WSKAZÓWKA: W przypadku oczekiwania na ostygnięcie akumulatora, ładowarki UC18YML2 schładzają przegrzany akumulator za pomocą wentylatora.
(Niemniej jednak wentylator chłodzący nie działa w czasie ładowania akumulatora z samochodowego źródła zasilania prądem stałym (DC) o napięciu 12 V.)

(2) Informacje na temat zakresu temperatury dla akumulatora.

Informacje na temat zakresu temperatury dla akumulatora zostały zamieszczone w **Tabeli 2**; przed ładowaniem rozgrzany akumulator należy pozostawić do ostygnięcia.

Tabela 2 Zakres ładowania akumulatorów

Akumulatory	Zakres temperatury, w którym akumulator może być ładowany
BSL1830C, BSL1850	0°C - 50°C

(3) Informacje na temat czasu ładowania.

W zależności od kombinacji ładowarki z akumulatorem, czas ładowania został przedstawiony w **Tabeli 3**.

Tabela 3 Czas ładowania (w temperaturze 20°C)
(zasilacz AC (DC 12 V w samochodzie))

Ładowarka	UC18YFSL	UC18YML2
Akumulator		
BSL1830C	około 45 min	około 45/120 min
BSL1850	około 75 min	około 75/200 min

WSKAZÓWKA

Czas ładowania może się zmieniać w zależności od temperatury otoczenia i napięcia źródła zasilania.

<UC18YML2>

Zwłaszcza korzystanie z samochodowego źródła zasilania prądem stałym (DC) o napięciu 12 V może wymagać dłuższego czasu ładowania przy wyższych wartościach temperatury.

UWAGA

Długotrwałe nieprzerwane użytkowanie ładowarki może spowodować jej nagrzanie, a tym samym stwarzać prawdopodobieństwo wystąpienia awarii. Po zakończeniu ładowania należy odczekać 15 minut przed rozpoczęciem kolejnego ładowania.

4. Przewód zasilający ładowarki odłączyć od gniazda sieciowego lub gniazda zapalniczki.

5. Wyjąć akumulator, mocno trzymając ładowarkę.

WSKAZÓWKA

Należy pamiętać, aby po zakończeniu użytkowania ładowarki wyjąć z niej akumulator.

- Sprawdzić napięcie samochodowego źródła zasilania, jeśli lampka kontrolna miga na zielono (co 1 sekundę). (UC18YML2)
Jeżeli wartość napięcia jest równa 12 V lub niższa, oznacza to, że poziom naładowania akumulatora samochodowego jest za niski, aby ładowanie było możliwe.
- Jeżeli lampka kontrolna nie miga na czerwono (co sekundę) – nawet jeśli przewód zasilający ładowarki lub wtyczka do gniazda zapalniczki są podłączone do źródła zasilania – oznacza to, że obwód bezpieczeństwa ładowarki mógł zostać uruchomiony.
Odłączyć przewód zasilający lub wtyczkę od źródła zasilania, a następnie podłączyć ponownie po upływie około 30 sekund. Jeżeli w wyniku tego lampka kontrolna nadal nie będzie migłała na czerwono (co sekundę), ładowarkę należy przekazać do centrum serwisowego autoryzowanego przez firmę HiKOKI.

PRZED UŻYCIEM

Działanie	Rysunek	Strona
Wymijowanie i wkładanie akumulatora	2	379
Ładowanie	3	380
Wybór akcesoriów	—	385

1. Jak obsługiwać panel operacyjny

- (1) Wyłącznik zasilania WŁĄCZONY (patrz Rys. 4)
Przy „WYŁĄCZONYM” wyłączniku zasilania nacisnąć i przytrzymać wyłącznik zasilania przez ponad 1 sekundę - kontrolka zasilania zaświeci się na zielono.

WSKAZÓWKA

Nie naciskać dźwigni popychającej ani przełącznika spustowego podczas WŁĄCZANIA wyłącznika zasilania. Takie działanie uniemożliwi WŁĄCZENIE wyłącznika zasilania.

[Automatyczne wyłączenie]

Gdy zasilanie jest włączone, ale gwoździarka nie jest używana przez 30 minut, zostaje ona automatycznie wyłączona. W celu ponownego włączenia nacisnąć wyłącznik zasilania.

OSTRZEŻENIE

Nigdy nie pozostawiać gwoździarki z włączonym zasilaniem. Może to doprowadzić do wypadku.

- (2) Wyłącznik zasilania WYŁĄCZONY (patrz Rys. 4)
Przy „WYŁĄCZONYM” wyłączniku zasilania nacisnąć i przytrzymać wyłącznik zasilania przez ponad 1 sekundę - kontrolka zasilania zgaśnie.
Przy „WYŁĄCZONYM” wyłączniku” zasilania aktywne są następujące funkcje.
- (3) Wybrać tryb gwoździowania
(Uruchamianie pełnej sekwencji/uruchamianie przy styku)
Po WŁĄCZENIU wyłącznika zasilania należy zawsze ustawić jako początkowy tryb uruchamiania pełnej sekwencji. (Kontrolka gwoździowania świeci na niebiesko). (Patrz Rys. 5.)
Aby zmienić tryb gwoździowania, należy nacisnąć raz przełącznik pracy. Za każdym naciśnięciem tryb zmienia się pomiędzy „Pełną sekwencją” a „Przy styku”. (Patrz Rys. 6.)
Świeci (niebieski):
MECHANIZM URUCHAMIAJĄCY W PEŁNEJ SEKWENCJI,
Miga (niebieski):
MECHANIZM URUCHAMIANIA PRZY STYKU

Informacje dotyczące wyładowania elektrycznego w przypadku nowych akumulatorów itp.

Ponieważ chemiczne substancje znajdujące się wewnątrz nowych akumulatorów oraz akumulatorów, które nie były używane przez dłuższy okres czasu nie są aktywne, wyładowanie elektryczne może być niskie przy pierwszym i kolejnym użyciu. Jest to tymczasowe zjawisko, a właściwy czas wymagany do naładowania zostanie przywrócony po 2 - 3 ładowaniach akumulatorów.

Co zrobić, aby akumulatory działały dłużej.




- (1) Naładować akumulatory ponownie zanim rozładują się całkowicie.
W przypadku zauważenia, że zasilanie narzędzia jest słabsze, należy zaprzestać korzystania z narzędzia i ponownie naładować akumulator. Dalsze korzystanie z narzędzia i wyczerpanie prądu elektrycznego, może spowodować uszkodzenie akumulatora i skrócenie jego żywotności.
- (2) Należy unikać ładowania w wysokiej temperaturze.
Akumulator jest gorący zaraz po użyciu. Jeśli akumulator jest ponownie ładowany zaraz po użyciu, jakość substancji chemicznych pogorszy się, a żywotność akumulatora się skróci. Należy odłożyć na chwilę akumulator i rozpocząć ładowanie, gdy ostygnie.

UWAGA

- Jeżeli podczas ładowania akumulatora jest on nagrzany w wyniku długotrwałego wystawienia na bezpośrednie działanie promieni słonecznych lub był właśnie użytkowany, lampka kontrolna ładowarki zaświeci się na 1 sekundę i zgaśnie na 0,5 sekundy (będzie wyładowana przez 0,5 sekundy) (UC18YFSL) lub zaświeci się na zielono. (UC18YML2). W takim wypadku akumulator należy najpierw pozostawić do ostygnięcia, a następnie rozpocząć ładowanie.
- Kiedy lampka kontrolna miga szybko na czerwono (co 0,2 sekundy), złącze ładowarki należy sprawdzić pod kątem obecności ciał obcych; w razie potrzeby – usunąć je. Jeżeli obecność ciał obcych nie zostanie stwierdzona, istnieje prawdopodobieństwo, że doszło do usterki akumulatora lub ładowarki. Urządzenie(-a) należy wtedy oddać do autoryzowanego centrum serwisowego.
- Ponieważ wbudowany mikrokomputer ładowarki potrzebuje około 3 sekund do potwierdzenia, że akumulator ładowany przy użyciu UC18YFSL/UC18YML2 został wyjęty, należy odczekać minimum 3 sekundy przed jego ponownym włożeniem i kontynuowaniem ładowania. Jeżeli akumulator zostanie włożony ponownie w przeciągu 3 sekund, może on zostać niepoprawnie naładowany.

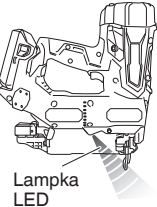

(4) Sprawdzić poziom naładowania baterii

Po naciśnięciu przełącznika z kontrolką akumulatora, wskaźnik akumulatora pokazuje poziom naładowania akumulatora wg stanu diod LED jak poniżej.

Stan wskaźnika	
 2 diody LED (czerwone) świecą	Akumulator jest dostatecznie naładowany.
 1 dioda LED (czerwone) świeci	Akumulator jest w połowie wyczerpany.
 1 dioda LED (czerwona) miga	Akumulator jest niemal całkowicie wyczerpany. Należy jak najszybciej naładować akumulator.

(5) Inne funkcje

W przypadku błędu pracy, diody LED świecą jak poniżej.

Stan wskaźnika	
 Lampka LED	Maszyna jest zbyt zimna (poniżej -5°C) lub zbyt gorąca. Odczekać, aż gwoździarka ostygnie lub nagrzej się w odpowiednich warunkach.
Lampka LED miga w pewnym odstępie czasu. <ul style="list-style-type: none"> • W przypadku zbyt wysokiej temperatury, miga w odstępie 1 sekundy. • W przypadku zbyt niskiej temperatury, miga w odstępie 0,5 sekundy. Po 10 sekundach następuje automatyczne wyłączenie diody LED i wyłącznika zasilania.	
 2 diody LED migają na pomarańczowo, po 10 sekundach zostaje automatycznie wyłączony wyłącznik zasilania.	Należy skontaktować się z HiKOKI w celu przeprowadzenia kontroli.

(6) Korzystanie z oświetlenia LED (patrz Rys. 7)

Przy włączonym wyłączniku zasilania dioda LED automatycznie podświetla końcówkę narzędzia.

UWAGA

- Nie kierować światła bezpośrednio w stronę oczu. Jeśli oko jest stale narażone na działanie światła, może to być przyczyną uszkodzenia wzroku.


- Kurz lub brud z soczewki lampki LED należy usuwać miękką ściereczką, uważając, by nie zarysować soczewki.



Zarysowania soczewki lampki LED mogą spowodować obniżenie jasności.

2. Mechanizm blokowania mechanizmu spustowego (patrz Rys. 8)**OSTRZEŻENIE**

Jeśli gwoździe nie są wbijane, należy sprawdzić czy przełącznik spustowy jest zablokowany.

Ten gwoździarka posiada mechanizm blokujący, zapobiegający wystrzeliwaniu gwoździ.

Ustawić dźwignię blokady przełącznika w pozycji  w celu zablokowania przełącznika.

Przesunąć dźwignię blokady przełącznika do pozycji , gdy gwoździarka ma zostać użyta lub do pozycji , gdy nie jest używana.

3. Testowanie gwoździarki**OSTRZEŻENIE**

- Jeśli gwoździe nie są wbijane, należy sprawdzić czy przełącznik spustowy jest zablokowany. (Patrz Rys. 8.)

- Nigdy nie używać gwoździarki, jeśli dźwignia popychająca nie działa prawidłowo.

Urządzenia NT1865DBAL i NT1865DBSL wykorzystują mechanizm zapobiegający przypadkowemu wystrzałowi.

Urządzenia NT1865DBAL i NT1865DBSL przechodzą w stan, w którym dźwignia popychająca nie może zostać podniesiona. Stan taki występuje, gdy magazynek nie jest załadowany gwoździami lub liczba pozostających gwoździ spada poniżej 6 lub 9.

UWAGA

Należy zachować ostrożność, aby nie uderzyć końcówką dźwigni popychającej o drewno.

Przed rozpoczęciem gwoździowania należy sprawdzić gwoździarkę, korzystając z poniższej listy kontrolnej. Testy należy wykonać w następującej kolejności.

W przypadku nieprawidłowego działania, należy zaprzestać korzystania z gwoździarki i skontaktować się bezzwłocznie z autoryzowanym serwisem HiKOKI.

- (1) WYJĄC Z GWOŹDZIARKI WSZYSTKIE GWOŹDZIE I AKUMULATOR.

WSZYSTKIE ŚRUBY MUSZĄ BYĆ DOKRĘCONE.

DŹWIGNIA POPYCHAJĄCA I PRZEŁĄCZNIK SPUSTOWY MUSZĄ PRZESUWAĆ SIĘ PŁYNNIE podczas odciągania podajnika gwoździ (B). (NT1850DBSL: Niewymagane przy odciąganiu podajnika gwoździ)

- (2) Montaż akumulatora.

Nie używać dźwigni popychającej ani spustu podczas montażu akumulatora. (Patrz Rys. 2.)

- (3) Włączyć wyłącznik zasilania (Patrz Rys. 1.)

Włączyć wyłącznik zasilania naciskając go i przytrzymując ponad 1 sekundę.

Należy sprawdzić, czy kontrolka zasilania świeci na zielono, a kontrolka gwoździowania na niebiesko. (MECHANIZM URUCHAMIAJĄCY W PEŁNEJ SEKWENCJI)

WSKAZÓWKI

Nie naciskać dźwigni popychającej ani przełącznika spustowego podczas WŁĄCZANIA wyłącznika zasilania. Takie działanie uniemożliwi WŁĄCZENIE wyłącznika zasilania.

[Automatyczne wyłączenie]

Gdy zasilanie jest włączone, ale gwoździarka nie jest używana przez 30 minut, zostaje ona automatycznie wyłączona. W celu ponownego włączenia naciskając wyłącznik zasilania.

OSTRZEŻENIE

Nigdy nie pozostawiać gwoździarki z włączonym zasilaniem. Może to doprowadzić do wypadku.

Kontrolka gwoździowania

Swieci (niebieski):

MECHANIZM URUCHAMIAJĄCY W PEŁNEJ SEKWENCJI,

Miga (niebieski):

MECHANIZM URUCHAMIANIA PRZY STYKU

Należy sprawdzić, czy kontrolka nie miga.

Jeśli kontrolka akumulatora miga na czerwono, akumulator nie jest wystarczająco naładowany i trzeba podłączyć go do ładowarki.

- (4) Zdjąć palec z przełącznika spustowego i docisnąć dźwignię popychającą do obrabianego przedmiotu, przy odciągnięciu podajnika gwoździ (B).

NIE MOŻNA UŻYWAĆ GWOŹDZIARKI.

- (5) Odsunąć dźwignię popychającą od obrabianego przedmiotu.

Następnie skierować gwoździarkę w dół, przy odciągnięciu podajnika gwoździ (B), nacisnąć przełącznik spustu i zaczekać w tej pozycji przez co najmniej 5 sekund.

NIE MOŻNA UŻYWAĆ GWOŹDZIARKI.

- (6) ① Nie dotykając przełącznika spustowego docisnąć dźwignię popychającą do obrabianego przedmiotu, przy odciągnięciu podajnika gwoździ (B). Następnie nacisnąć przełącznik spustowy.

GWOŹDZIARKA MUSI DZIAŁAĆ.

② Przytrzymać przełącznik spustowy i ponownie docisnąć dźwignię popychającą do przedmiotu obrabianego.

NIE MOŻNA UŻYWAĆ GWOŹDZIARKI.

③ Zdjąć palec z przełącznika spustowego. Następnie ① działa ponownie.

GWOŹDZIARKA MUSI DZIAŁAĆ.

- (7) Odsunąć dźwignię popychającą od obrabianego przedmiotu, nacisnąć przełącznik spustowy. Docisnąć dźwignię popychającą do obrabianego przedmiotu w ciągu 2 sekund.

NIE MOŻNA UŻYWAĆ GWOŹDZIARKI.

- (8) Ustawić tryb gwoździowania - kontrolka gwoździowania miga. (MECHANIZM URUCHAMIANIA PRZY STYKU) Nacisnąć raz przełącznik gwoździowania, sprawdzić, czy kontrolka miga na niebiesko. Odsunąć dźwignię popychającą od obrabianego przedmiotu, nacisnąć przełącznik spustowy. Docisnąć dźwignię popychającą do obrabianego przedmiotu w ciągu 2 sekund.

GWOŹDZIARKA MUSI DZIAŁAĆ.

- (9) Jeśli nie zaobserwowano nieprawidłowego działania, można załadować gwoździe do gwoździarki. Należy wbijać gwoździe w obrabiany przedmiot tego samego typu, co używany w bieżącej aplikacji.

GWOŹDZIARKA MUSI DZIAŁAĆ PRAWIDŁOWO.

4. Sprawdzanie działania dźwigni popychającej

OSTRZEŻENIE

Jeśli gwoździe nie są wbijane, należy sprawdzić czy przełącznik spustowy jest zablokowany.

Przy kontroli działania dźwigni popychającej należy zawsze sprawdzić, czy przełącznik spustowy jest zablokowany i akumulator wyjęty z elektronarzędzia.

Sprawdzić, czy dźwignia popychająca przesuwa się płynnie przy uruchomieniu.

Oczyszczyć tor przesuwu dźwigni popychającej, jeśli końcówka nie przesuwa się płynnie.

5. Załadowanie gwoździe

OSTRZEŻENIE

Podczas ładowania gwoździ do gwoździarki,

- 1) wyjąć akumulator z gwoździarki;
- 2) nie naciskać przełącznika spustowego;
- 3) nie dociskać dźwigni popychającej i
- 4) trzymać gwoździarkę skierowaną w dół.

<NT1865DBAL, NT1865DBSL>

2-fazowe podawanie gwoździ!

- (1) Włożyć taśmę z gwoździami z tyłu magazynka. (Patrz **Rys. 9.**)

- (2) Wsunąć taśmę z gwoździami do magazynka. (Patrz **Rys. 10.**)

- (3) Popchnąć podajnik gwoździ (A) w celu sprężenia podajnika gwoździ (B) z taśmą gwoździ. (Patrz **Rys. 11.**)

WSKAZÓWKA

- Delikatnie docisnąć podajnik gwoździ (A) i podajnik gwoździ (B) do gwoździa.

Jeśli podajnik gwoździ (A) i podajnik gwoździ (B) zostaną zwolnione od tyłu magazynka i uderzą o gwoździe, klej łączący gwoździa może zostać uszkodzony.

- Stosować paski gwoździ zawierające ponad 10 gwoździ.
- Używać nieuszkodzonego paska gwoździ z gwoździami tej samej długości.

Gwoździarka jest teraz gotowa do pracy.

Wyjmowanie gwoździ:

- ① Wyciągnąć podajnik gwoździ (B) od tyłu. (Patrz **Rys. 12**)

- ② Przesunąć delikatnie podajnik gwoździ (B) do przodu, jednocześnie popychając podajnik gwoździ (A).

- ③ Wyjmij gwoździe z tyłu magazynka. (Patrz **Rys. 13**)

<NT1850DBSL>

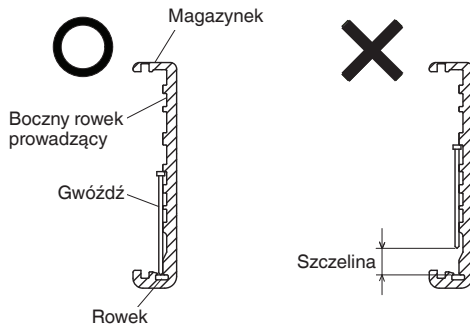
- (1) Nacisnąć lekko dźwignię wyłącznika i delikatnie odciągnąć pokrywę magazynka. (Patrz **Rys. 14**)

- (2) Umieścić taśmę gwoździ w magazynku końcówkami gwoździ stykającymi się z rowkiem. (Patrz **Rys. 15**)

WSKAZÓWKA

Gwoździe pokazane na stronie 220 można załadować na boczne rowki prowadzące magazynka bez żadnego ustawiania.

Końcówki gwoździ muszą zawsze stykać się z rowkiem.



- (3) Wsunąć pasek gwoździ w prowadnicę taśmy. (Patrz **Rys. 16.**)

- (4) Sprawdzić, czy pasek gwoździ jest prawidłowo ułożony wzdłuż bocznych rowków prowadzących i w rowku, a następnie popchnąć pokrywę magazynka do przodu, aż do zatrzaśnięcia.

UŻYWANIE GWOŹDZIARKI

OSTRZEŻENIE

- NIGDY nie kierować narzędzia na siebie ani inne osoby w miejscu pracy.
 - Trzymać palce Z DALA od przełącznika spustowego, gdy gwoździe nie są wbijane, aby uniknąć przypadkowego wystrzału.
 - Nie należy używać uszkodzonego przewodu zasilającego. Uszkodzony przewód należy niezwłocznie przekazać do naprawy.
 - Wybór metody wyzwalania jest ważny. Proszę przeczytać ze zrozumieniem poniższy rozdział „1. Procedury gwoździowania”.
 - Przed rozpoczęciem pracy sprawdzić urządzenie przełączające gwoździowania. Ta gwoździarka HIKOKI zawiera urządzenie przełączające gwoździowania. Przed rozpoczęciem pracy należy upewnić się, że urządzenie przełączające jest prawidłowo ustawione. Jeśli urządzenie przełączające nie jest ustawione prawidłowo, gwoździarka nie będzie działać prawidłowo.
 - Nigdy nie należy trzymać rąk, twarzy lub stóp w pobliżu głowicy gwoździarki podczas korzystania z narzędzia.
 - Nie wbijać gwoździ w inne gwoździe lub gwoździarkę nachyloną pod zbyt dużym kątem - gwoździe mogą odbić się rykoszetem i kogoś zranić.
 - Nie wbijać gwoździ w cienkie deski lub w pobliżu narożników i krawędzi obrabianego przedmiotu. Gwoździe mogą się przebić lub zostać przestrelone przez obrabiany przedmiot i kogoś uderzyć.
 - Nigdy nie wbijać gwoździ z obu stron ściany jednocześnie. Gwoździe mogą przebić się przez ścianę i uderzyć osobę znajdującą się po drugiej stronie.
 - Nigdy nie używać gwoździarki uszkodzonej lub nieprawidłowo działającej.
 - Nie używać gwoździarki jako młotka.
 - Usunąć wszystkie pozostałe elementy mocujące i wyjąć akumulator z gwoździarki:
 - 1) przed rozpoczęciem czynności konserwacyjnych i przeglądu;
 - 2) przed sprawdzaniem prawidłowego działania dźwigni popychającej i przełącznika spustowego;
 - 3) przed założeniem lub zdjęciem osłony czołowej
 - 4) usuwanie zakleszczenia;
 - 5) gdy narzędzie nie jest w użyciu;
 - 6) w przypadku opuszczania miejsca pracy;
 - 7) przed przeniesieniem narzędzia w inne miejsce; oraz
 - 8) przed przekazaniem narzędzia innej osobie.
 - Należy wyjąć akumulator z gwoździarki przed:
 - 1) ładowaniem gwoździ;
 - 2) ustawianiem regulatora.
- Ta gwoździarka HIKOKI jest wyposażona w urządzenie przełączające gwoździowania. Użyć MECHANIZMU URUCHAMIAJĄCEGO W PEŁNEJ SEKWENCJI lub MECHANIZMU URUCHAMIANIA PRZY STYKU, zgodnie z wykonywaną pracą. Objasnienia dotyczące gwoździowania
- MECHANIZM URUCHAMIAJĄCY W PEŁNEJ SEKWENCJI:

Najpierw docisnąć dźwignię popychającą do drewna; następnie nacisnąć przełącznik spustowy w celu wbicia gwoździa.

W celu wbicia kolejnego gwoździa powtórzyć tę operację.

Po jednym wbiciu gwoździa, kolejne wbicie nie będzie możliwe, dopóki palec nie zostanie zdjęty z przełącznika spustowego, a narzędzie odsunięte od powierzchni drewna.

- MECHANIZM URUCHAMIANIA PRZY STYKU: URUCHOMIENIE PRZY STYKU może nastąpić w dwóch różnych sekwencjach, w zależności od zastosowania.

W celu wbicia kilka gwoździ:

1. Nacisnąć przełącznik spustowy.
2. Docisnąć dźwignię popychającą do drewna i wbić gwoźdz.
3. Jeśli przełącznik spustowy zostanie przytrzymany, gwoździe będą wbijane za każdym razem, gdy dźwignia popychająca będzie dociskana do drewna.

W celu wbicia pojedynczego gwoździa:

1. Docisnąć dźwignię popychającą do drewna.
2. Aby wbić gwoźdz, należy nacisnąć przełącznik spustowy.
3. Zdjąć palec z przełącznika spustowego i odsunąć gwoździarkę od drewna.

[Mechanizm blokujący „ślepy” strzał]

Urządzenia NT1865DBAL i NT1865DBSL wykorzystują mechanizm zapobiegający przypadkowemu wystrzałowi. Urządzenia NT1865DBAL i NT1865DBSL przechodzą w stan, w którym dźwignia popychająca nie może zostać podniesiona. Stan taki występuje, gdy magazynek nie jest załadowany gwoździami lub pozostała liczba gwoździ spada poniżej 6 lub 9.

UWAGA

Należy zachować ostrożność, aby nie docisnąć końcówki dźwigni popychającej do drewna, gdy dźwignia popychająca nie może zostać podniesiona.

1. Procedury gwoździowania

Gwoździarka jest wyposażona w dźwignię popychającą i nie będzie działać, dopóki dźwignia nie zostanie naciśnięta.

Są dwie metody wbijania gwoździ za pomocą tej gwoździarki.

Są to:

1. Praca przerywana (strzał wyzwalany);
 2. Praca ciągła (dźwignia popychająca naciśnięta):
- (1) Praca przerywana (strzał wyzwalany)
 Użyć ustawienia MECHANIZMU URUCHAMIAJĄCEGO W PEŁNEJ SEKWENCJI. (Patrz Rys. 17.)

OSTRZEŻENIE

- W przypadku pracy przerywanej ustawić przełącznik gwoździowania na MECHANIZM URUCHAMIAJĄCY W PEŁNEJ SEKWENCJI (kontrolka gwoździowania świeci na niebiesko). (tzn. ustawić na POJEDYNCZE URUCHAMIANIE PRZY STYKU).
 - Aby uniknąć podwójnego strzału lub strzału przypadkowego z powodu odrzutu.
 - 1) Ustawić na MECHANIZM URUCHAMIAJĄCY W PEŁNEJ SEKWENCJI.
 - 2) Szybko i zdecydowanie pociągnąć za spust.
 - ① Ustawić przełącznik gwoździowania na MECHANIZM URUCHAMIAJĄCY W PEŁNEJ SEKWENCJI (kontrolka gwoździowania świeci na niebiesko). (aby ustawić na MECHANIZM URUCHAMIAJĄCY W PEŁNEJ SEKWENCJI). (Ustawić urządzenie przełączające na gwoździowanie, lampka wskaźnika świeci, jak pokazano na Rys. 17. W przeciwnym wypadku zostanie ustawione na MECHANIZM URUCHAMIANIA PRZY STYKU).
 - ② Umieścić wylot gwoździ na obrabianym przedmiocie, nie kładąc palca na przełączniku spustu.
 - ③ Docisnąć pewnie dźwignię popychającą, aż zostanie całkowicie wciśnięta.
 - ④ Aby wbić gwoźdz, należy nacisnąć przełącznik spustowy.
 - ⑤ Zdjąć palec z przełącznika spustowego i odsunąć narzędzie od powierzchni drewna.
- W celu kontynuowania gwoździowania w innym miejscu, należy przesunąć gwoździarkę wzdłuż drewna, powtarzając kroki ② - ⑤ zgodnie z wymaganiami.

WSKAZÓWKA

Czynności ③ i ④ należy wykonywać w przeciągu 2 sekund. Jeśli miną więcej niż 2 sekundy ③, gwoździarka nie będzie działać prawidłowo. Jeśli tak się stanie, należy spróbować ponownie od ③.

- (2) Praca ciągła (dźwignia popychająca naciśnięta): Korzystanie z MECHANIZMU URUCHAMIANIA PRZY STYKU (patrz Rys. 18)

OSTRZEŻENIE

Aby uniknąć podwójnego strzału lub strzału przypadkowego z powodu odrzutu.

- 1) Nie dociskać gwoździarki od drewna z nadmierną siłą.
- 2) Należy odsunąć gwoździarkę od drewna z uwagi na odrzut następujący po wstrzeleniu gwoźdźca.

- ① Ustawić przełącznik gwoździowania na MECHANIZM URUCHAMIANIA PRZY STYKU (kontrolka gwoździowania miga na niebiesko). (aby ustawić na MECHANIZM URUCHAMIANIA PRZY STYKU).

(Ustawić urządzenie przełączające na gwoździowanie, lampka wskaźnika miga na niebiesko, jak pokazano na Rys. 18. W przeciwnym razie urządzenie nie będzie działało prawidłowo).

- ② Naciśnąć przełącznik spustowy przy gwoździarce odsuniętej od obrabianego przedmiotu.
- ③ Docisnąć dźwignię popychającą do przedmiotu obrabianego i wbić gwoździez.
- ④ Przesuwać gwoździarkę wzdłuż obrabianego przedmiotu ruchem odbijającym.

Każde docisnięcie dźwigni popychacza powoduje wbicie gwoźdźca.

Po wbiciu żądanej liczby gwoździ, zdjęć palec z przełącznika spustowego.

WSKAZÓWKA

Czynności ② i ③ należy wykonywać w przeciągu 2 sekund. Jeśli miną więcej niż 2 sekundy ②, gwoździarka nie będzie działać prawidłowo. Jeśli tak się stanie, należy spróbować ponownie od ②.

OSTRZEŻENIE

- Palec należy trzymać poza przełącznikiem spustowym, oprócz momentu wykonywania gwoździowania, ponieważ może dojść do poważnych obrażeń, jeśli dźwignia popychająca przypadkowo dotknie ciała operatora lub innych osób przebywających w miejscu pracy.
- Dłonie i całe ciało należy trzymać z dala od obszaru wystrzeliwania. Ta gwoździarka HiKOKI może odbić się z powodu odrzutu podczas wbijania gwoźdźca, czego skutkiem może być niezamierzony wystrzał gwoźdźca i możliwość zranienia.

WSKAZÓWKA

- Jeśli przestrzegane są wszystkie ostrzeżenia i instrukcje, możliwa jest bezpieczna praca przy obydwu systemach: MECHANIZM URUCHAMIAJĄCY W PEŁNEJ SEKWENCJI, MECHANIZM URUCHAMIANIA PRZY STYKU.

- Należy zawsze ostrożnie obchodzić się z gwoździami i zestawem. W przypadku upadku gwoździ może dojść do uszkodzenia spoiwa gwoździ, co może skutkować nieprawidłowym podaniem gwoźdźca i zakleszczeniem.

- Po wbiciu:

- 1) wyjąć akumulator z gwoździarki;
- 2) wyjąć wszystkie gwoździe z gwoździarki;

2. Regulacja głębokości gwoździowania

Aby zapewnić jednakową głębokość wbijania gwoździ, należy upewnić się, że gwoździarka zawsze jest pewnie docisnięta do obrabianego przedmiotu.

Jeśli gwoździe są wbijane zbyt głęboko lub zbyt płytko w obrabiany przedmiot, należy wyregulować głębokość wbijania w następujący sposób.

- ① wyjąć akumulator z gwoździarki.
- ② Jeśli gwoździe są wbijane zbyt głęboko, przestawić regulator na stronę płytszą. (Patrz Rys. 19.)

Regulacja jest wykonywana co pół obrotu.

Jeśli gwoździe są wbijane zbyt płytko, przestawić regulator na stronę głębszą. (Patrz Rys. 20.)

- ③ Zatrzymać obracanie regulatora, gdy zostanie osiągnięta odpowiednia pozycja w teście gwoździowania.

- ④ Podłączyć akumulator do gwoździarki.

NALEŻY ZAWSZE ZAKŁADAĆ OKULARY OCHRONNE. Przeprowadzić test gwoździowania.

- ⑤ Wyjąć akumulator z gwoździarki.
- ⑥ Wybrać odpowiednie położenie regulatora.

3. Korzystanie z haka (patrz Rys. 21, 22, 23)

OSTRZEŻENIE
Podczas korzystania z haka należy wyłączyć wyłącznik zasilania (zielona kontrolka gaśnie). Należy pilnować, aby osprzęt główny nie spadł.

Jeśli narzędzie upadnie, istnieje ryzyko wypadku.

Hak można zainstalować po lewej lub prawej stronie. (z wyjątkiem NT1865DBAL)

- ① Wyjąć akumulator, a następnie usunąć wszystkie pozostałe gwoździe z magazynka.
- ② Mocno przytrzymać jednostkę główną i wyjąć śrubę za pomocą śrubokręta. (Patrz Rys. 21)
- ③ Zdjąć hak i płytę zaczepową. (Patrz Rys. 22)
- ④ Zamontować hak po drugiej stronie i dobrze przymocować śrubą. (Patrz Rys. 23)

WSKAZÓWKA

Hak może być używany jako wieszak.

4. Używanie osłony czołowej (patrz Rys. 24, 25)

OSTRZEŻENIE

Podczas zakładania lub zdejmowania osłony czołowej należy pamiętać, aby zdjąć palec z przełącznika spustowego i usunąć wszystkie pozostałe elementy mocujące oraz akumulator z gwoździarki.

Jeśli chcemy zabezpieczyć powierzchnię obrabianego przedmiotu przed zadrapaniami lub odciśnięciami dźwigni popychającej, należy założyć na dźwignię popychającą osłonę czołową.

- ① Wyjąć wszystkie pozostałe elementy mocujące i baterię z gwoździarki.
- ② Założyć osłonę czołową na przednią część dźwigni popychającej.
- ③ Osłona czołowa jest oznakowana, wskazując punkt wyprowadzenia gwoźdźca, co ułatwia jej wyrównanie.
- ④ Jeśli osłona czołowa nie jest używana, należy umieścić ją w schowku znajdującym się na odwrotnej stronie magazynka.

WSKAZÓWKA

Osłona czołowa może zmniejszyć głębokość gwoździowania z uwagi na swoją grubość. Wymagana jest ponowna regulacja głębokości gwoździowania.

5. Usuwanie zakleszczenia

Jeśli gwoździe utkną w głowicy gwoździarki, należy je usunąć i dokonać regulacji gwoździowania jak poniżej.

UWAGA

- Wyjąć akumulator z gwoździarki.
- ① Wyjąć akumulator z gwoździarki.
 - ② Wyjąć wszystkie gwoździe.
 - ③ Zwolnić dźwignię blokady i otworzyć płytę prowadzącą. (Patrz Rys. 26.)
 - ④ Wyjąć zakleszczony gwoździez za pomocą płaskiego śrubokręta. (Patrz Rys. 27.)

UWAGA

- NIGDY nie uderzać w płytę mechanizmu.
- NIGDY nie kierować narzędzia w swoją stronę lub w stronę innej osoby, aby uniknąć ryzyka obrażeń spowodowanych przypadkowym wystrzałem. Nawet jeśli akumulator zostanie wyjęty z gwoździarki, pozostaje w niej jeszcze energia sprężonego powietrza.

- ⑤ Zamknąć płytę prowadzącą i zatrasnąć.

WSKAZÓWKA

Jeśli zakleszczenie występuje często, skontaktować się z autoryzowanym serwisem HiKOKI.

KONSERWACJA I KONTROLA

UWAGA

Przed rozpoczęciem kontroli i konserwacji należy upewnić się, że wszystkie pozostałe elementy mocujące i akumulator zostały usunięte z gwoździarki.

1. Kontrola magazynka

- ① Wyjąć akumulator z gwoździarki.
- ② Oczyszczyć magazynkę. Usunąć kurz i trociny, które mogły zgromadzić się w magazynku.

UWAGA

Sprawdzić, czy podajnik gwoździ przesuwają się płynnie pociągając go palcem.

Jeśli nie przesuwają się płynnie, gwoździe mogą być wbijane pod nieprawidłowym kątem i być przyczyną obrażeń ciała.

2. Kontrola śrub mocujących

Śruby mocujące należy regularnie kontrolować pod kątem ich poprawnego dokręcenia. Jeżeli którakolwiek ze śrub jest poluzowana, należy ją natychmiast dokręcić. Niezastosowanie się do tego zalecenia może stwarzać zagrożenie.

3. Konserwacja silnika

Uzwojenie silnika jest najistotniejszym elementem elektronarzędzia. Należy zachować szczególną ostrożność, aby uzwojenie nie zostało uszkodzone i/lub nie weszło w kontakt z olejem lub wodą.

4. Kontrola styków (narzędzia i akumulatora)

Sprawdzić, czy w okolicy styków nie doszło do nagromadzenia wiórów, opiłków i pyłu. Regularnie sprawdzać przed rozpoczęciem pracy, podczas pracy i po jej zakończeniu.

UWAGA

Unikać wszelkie opiłki, wióry lub pył, które mogły nagromadzić się na stykach.

Niezastosowanie się do tego zalecenia może spowodować wystąpienie usterki.

5. Czyszczenie obudowy

W przypadku zabrudzenia elektronarzędzia, należy je przetrzeć miękką, suchą ściereczką lub ściereczką zwilżoną wodą z mydłem. Nie wolno używać rozpuszczalników na bazie chloru, benzyny ani rozcieńczalnika do farb, gdyż topią one tworzywa sztuczne.

6. Przechowywanie

Elektronarzędzie należy przechowywać w miejscu, w którym panuje temperatura poniżej 40°C, i które pozostaje poza zasięgiem dzieci.

WSKAZÓWKA

Przechowywanie akumulatorów litowo-jonowych. Upewnić się, że przed przechowywaniem akumulatory litowo-jonowe zostały całkowicie naładowane.

Długotrwałe przechowywanie akumulatorów (3 miesiące lub dłużej) o niskim poziomie naładowania może spowodować pogorszenie ich wydajności, istotnie skracając czas ich użytkowania lub sprawiając, że nie będą one w stanie utrzymać ładunku.

Znacznie skrócony czas użytkowania akumulatorów można jednak poprawić poprzez ich wielokrotne ładowanie i używanie – od dwóch do pięciu razy.

Jeżeli czas użytkowania akumulatorów – pomimo wielokrotnego ładowania i używania – jest bardzo krótki, należy je uznać za trwale wyczerpane i zakupić nowe.

UWAGA

Podczas użytkowania i konserwacji narzędzi elektrycznych muszą być przestrzegane przepisy i standardy bezpieczeństwa.

Ważna informacja dotycząca akumulatorów do bezprzewodowych elektronarzędzi firmy HiKOKI

Należy zawsze używać jednego z naszych zalecanych, oryginalnych akumulatorów. Nie możemy zagwarantować bezpieczeństwa i wydajności działania naszych bezprzewodowych elektronarzędzi, jeżeli używane są akumulatory inne, niż zalecane przez nas lub gdy akumulator zostanie rozmontowany i zmodyfikowany (np. demontaż i wymiana ogniw lub innych części wewnętrznych).

GWARANCJA

Gwarancja na elektronarzędzia firmy HiKOKI jest udzielana z uwzględnieniem praw statutowych/przepisów krajowych. Gwarancja nie obejmuje wad i uszkodzeń powstałych w wyniku niewłaściwego lub niezgodnego z przeznaczeniem użytkowania, bądź wynikających z normalnego zużycia. W wypadku reklamacji należy dostarczyć kompletne elektronarzędzie do centrum serwisowego autoryzowanego przez firmę HiKOKI wraz z KARTĄ GWARANCYJNĄ znajdującą się na końcu instrukcji obsługi.

Informacje dotyczące generowanego hałasu

Wartości charakterystyki hałasu zgodnie z EN 60745:

Typowy poziom mocy akustycznej mierzony jednorazowo przy pomocy ważenia typu A

$$L_{WA, 1s, d} = 92 \text{ dB}$$

Typowy poziom emisji ciśnienia akustycznego mierzony przy pomocy ważenia typu A na stanowisku roboczym

$$L_{PA, 1s, d} = 81 \text{ dB}$$

Niepewność KpA: 3 dB

Wartości te są wartościami charakterystycznymi dla narzędzi i nie odzwierciedlają hałasu w miejscu użytkowania. Hałas w punkcie użytkowania zależy, np. od środowiska pracy, przedmiotu obrabianego, podparcia przedmiotu obrabianego i liczby operacji gwoździowania.

W zależności od warunków panujących w miejscu pracy oraz formy obrabianego przedmiotu, może być konieczne zastosowanie dedykowanych środków tłumiących hałas, np. umieszczenie obrabianych przedmiotów na podkładkach tłumiących dźwięki, zapobieżenie wibracjom obrabianego przedmiotu przy pomocy zacisków, osłon itp.

W szczególnych przypadkach należy stosować środki ochrony słuchu.

Informacje dotyczące generowanych wibracji

Typowa charakterystyka wibracji zgodnie z normą EN 60745: 2,6 m/s²

Niepewność K: 1,5 m/s²

Wartości te są wartościami charakterystycznymi dla narzędzia i nie odzwierciedlają wpływu na układ ramion podczas korzystania z narzędzia. Wpływ na układ ramion-dłoń podczas używania narzędzia będzie na przykład zależeł od siły chwytu, siły docisku, kierunku gwoździowania, ustawienia zasilania energetycznego, obrabianego przedmiotu, podparcia narzędzia.

Zadeklarowana wartość całkowita wibracji została zmierzona zgodnie ze standardową metodą testową i może być wykorzystana do porównywania elektronarzędzi. Może być także wykorzystywana do wstępnej oceny ekspozycji.

OSTRZEŻENIE

- W zależności od sposobu wykorzystywania elektronarzędzia emisja wibracji podczas rzeczywistej pracy elektronarzędzia może różnić się od zadeklarowanej wartości całkowitej.
- Należy określić środki bezpieczeństwa dla ochrony operatora zgodnie z szacowaną wartością ekspozycji w zależności od rzeczywistych warunków użytkowania (uwzględniając wszystkie etapy cyklu roboczego, takie jak przerwy w pracy urządzenia oraz praca na biegu jałowym w stanie gotowości).

WSKAZÓWKA

W związku z prowadzonym przez firmę HiKOKI programem badań i rozwoju, niniejsze specyfikacje techniczne mogą ulec zmianie bez wcześniejszego zawiadomienia.

Diagram konserwacji

DZIAŁANIE	DLACZEGO	JAK
Czyszczenie magazynka i mechanizmu podajnika.	Zapobieganie zakleszczeniom.	Codziennie przedmuchiwanie.
Zachowanie prawidłowego działania dźwigni popychającej.	Dbanie o bezpieczeństwo operatora oraz skuteczne działanie gwoździarki.	Codziennie przedmuchiwanie.

ROZWIĄZYWANIE PROBLEMÓW

Jeżeli urządzenie nie działa prawidłowo, należy zapoznać się z informacjami zamieszczonymi w poniższej tabeli. Jeżeli rozwiązanie problemu nadal nie jest możliwe, należy skontaktować się ze sprzedawcą lub autoryzowanym serwisem naprawczym firmy HiKOKI.

PROBLEM	METODA KONTROLI	DZIAŁANIA NAPRAWCZE
Wyłącznik zasilania nie włącza się. Jednokrotne włączenie, ale wyłączenie automatyczne.	Niski poziom naładowania akumulatora.	Naładować akumulator.
	Uszkodzona elektronika wewnętrzna.	Skontaktować się z HiKOKI w celu wymiany.
	Czy dźwignia popychająca i/lub przełącznik spustowy są w stanie załączenia?	Ustawić dźwignię popychającą i przełącznik spustowy w stan wyłączenia.
	Czy przez 30 minut nie było wykonywane żadne działanie? (Funkcja automatycznego wyłączenia)	Nacisnąć i przytrzymać wyłącznik zasilania przez ponad 1 sekundę w celu jego „WŁĄCZENIA”.
Gwoździarka nie działa (Wyłącznik zasilania WŁĄCZONY).	Gwoździarka nie jest wystarczająco dociskana do obrabianego przedmiotu.	Gwoździarkę należy trzymać pewnie i docisnąć całkowicie do obrabianego przedmiotu.
	Przełącznik spustu nie jest dostatecznie wciskany.	Mocno nacisnąć przełącznik spustu.
	Minęły ponad 2 sekundy od załączenia dźwigni popychającej do załączenia przełącznika spustowego (lub załączenia przełącznika spustowego do załączenia dźwigni popychającej).	Należy upewnić się, czy nie minęły mniej niż 2 sekundy pomiędzy załączeniem dźwigni popychającej a załączeniem przełącznika spustowego (lub pomiędzy załączeniem przełącznika spustowego a załączeniem dźwigni popychającej).
	Aktywowany mechanizm zapobiegający uruchomieniu. (Brak gwoździ lub zbyt mało elementów mocujących) (z wyjątkiem NT1850DBSL)	Ponownie załadować gwoździe do magazynka.
	Dźwignia blokady przełącznika (funkcja blokady spustu) ustawiona w pozycji „WŁ”.	Ustawić dźwignię blokady przełącznika w pozycję „WYŁ”. (Patrz Rys. 8)
	Maszyna jest zbyt zimna (poniżej -5°C) lub zbyt gorąca. (Dioda LED miga w regularnych odstępach czasu, a wyłącznik zasilania wyłącza się po 10 sekundach). (Patrz strona 223)	Odczekać, aż gwoździarka ostygnie lub nagrzej się w odpowiednich warunkach.
	Uszkodzona elektronika wewnętrzna.	Skontaktować się z HiKOKI w celu wymiany.

PROBLEM	METODA KONTROLI	DZIAŁANIA NAPRAWCZE
Gwoździarka działa, ale nie wbija gwoździ.	Magazynek jest brudny.	Przedmuchać i wytrzeć magazynek.
	Sprawdzić, czy nie ma zacięcia.	Usunąć zacięcie (patrz Rys. 26, 27).
	Płyta mechanizmu jest zużyta lub uszkodzona?	Skontaktować się z HiKOKI w celu wymiany.
	Sprężyna taśmowa jest osłabiona lub uszkodzona?	Wymienić sprężynę taśmową.
	Podajnik gwoździ uszkodzony?	Wymienić podajnik gwoździ.
	Sprawdzić, czy gwoździe są właściwe.	Stosować tylko zalecany rodzaj gwoździ.
Słabe wbijanie. Zwolnienie cyklu.	Sprawdzić położenie regulatora głębokości gwoździowania.	Wyregulować zgodnie z Rys. 19, 20 .
	Płyta mechanizmu zużyta?	Skontaktować się z HiKOKI w celu wymiany.
	Ciśnienie sprężonego powietrza jest zbyt niskie.	Skontaktować się z HiKOKI w celu wymiany.
	Uszkodzona elektronika wewnętrzna.	Skontaktować się z HiKOKI w celu wymiany.
Gwoździowanie zbyt głębokie.	Sprawdzić położenie regulatora głębokości gwoździowania.	Wyregulować zgodnie z Rys. 19, 20 .
Pomijanie gwoździ. Podawanie przerywane.	Sprawdzić, czy gwoździe są właściwe.	Stosować tylko zalecany rodzaj gwoździ.
	Podajnik gwoździ uszkodzony?	Wymienić podajnik gwoździ.
	Sprężyna taśmowa jest osłabiona lub uszkodzona?	Wymienić sprężynę taśmową.
	Płyta mechanizmu jest zużyta lub uszkodzona?	Skontaktować się z HiKOKI w celu wymiany.
Zakleszczenie gwoździ. Wbijany gwoździe jest zgięty.	Sprawdzić, czy gwoździe są właściwe.	Stosować tylko zalecany rodzaj gwoździ.
	Płyta mechanizmu jest zużyta lub uszkodzona?	Skontaktować się z HiKOKI w celu wymiany.

A SZERSZÁMGÉPPEL KAPCSOLATOS ÁLTALÁNOS BIZTONSÁGI FIGYELMEZTETÉSEK

⚠ FIGYELMEZTETÉS

Olvasson el minden biztonsági figyelmeztetést és minden utasítást.

A figyelmeztetések és utasítások be nem tartása áramütést, tüzet és/vagy súlyos sérülést eredményezhet.

A figyelmeztetéseket és utasításokat tartalmazó útmutatót őrizze meg, hogy a jövőben is a rendelkezésére álljon.

A figyelmeztetéseket használt „szerszám gép” kifejezés a hálózatról működő (vezetékes) vagy akkumulátorról működő (vezeték nélküli) szerszám gépre vonatkozik.

1) Munkaterület biztonsága

a) A munkaterület mindig legyen tiszta és jól megvilágított.

A zsúfolt vagy sötét területek vonzzák a baleseteket.

b) Ne használja a szerszám gépeket robbanásveszélyes légkörben, például gyúlékony folyadékok, gázok vagy por jelenlétében.

A szerszám gépek szikrákat keltenek, amelyek meggyújthatják a port vagy a gőzöket.

c) Ne engedje közel a gyermekeket és kívülállókat a szerszám géphez annak használata közben.

Elveszitheti az irányítását a gép felett, ha valaki eltereli a figyelmét.

2) Érintésvédelem

a) A szerszám gép dugaszainak az aljzatnak megfelelőnek kell lenniük.

Soha, semmilyen módon ne alakítsa át a dugaszt.

Ne használjon átalakító dugaszt földelt szerszám gépekhez.

Az eredeti dugaszok és a megfelelő aljzatok használata csökkenti az áramütés kockázatát.

b) Kerülje a test érintkezését a földelt felületekkel, mint például csövekkel, radiátorokkal, tűzhelyekkel és hűtőszekrényekkel.

Az áramütés kockázata nagyobb, ha a teste földelven van.

c) Ne tegye ki a szerszám gépeket esőnek vagy nedves körülményeknek.

A szerszám gépbe kerülő víz növeli az áramütés kockázatát.

d) Ne rongálja meg a vezetékét. Soha ne használja a vezetékét a szerszám gép szállításához, húzásához vagy az aljzatról való kihúzásához. Tartsa távol a vezetékét hőtől, olajtól, éles szegélyektől vagy mozgó alkatrészekről.

A sérült vagy összekuszálódott vezetéknek növelik az áramütés kockázatát.

e) A szerszám gép szabadban történő üzemeltetése esetén használjon szabadtéri használatra alkalmas hosszabbító kábelt.

A szabadtéri használatra alkalmas kábel használata csökkenti az áramütés kockázatát.

f) Ha elkerülhetetlen a szerszám gép nyirkos helyen történő használata, használjon FI relével (érintésvédelmi relével) védett táplálást.

A FI relé használata csökkenti az áramütés kockázatát.

3) Személyi biztonság

a) A szerszám gép használata közben maradjon mindig figyelmes, arra figyeljen, amit csinál, és használja a józan eszét.

Ne használja a szerszám gépet fáradtan, kábítószert, alkoholt vagy gyógyszert használva.

A szerszám gépek üzemeltetése közben egy pillanatnyi figyelmetlenség is súlyos személyi sérülést eredményezhet.

b) Használjon személyi védőeszközöket. Mindig viseljen védőszemüveget.

A megfelelő körülmények esetén használt védőfelszerelés, mint például a porlarc, a nem csúszó biztonsági cipő, a védősisak vagy a hallásvédő eszköz csökkenti a személyi sérüléseket.

c) Ne hagyja, hogy a gép véletlenül elinduljon. Győződjön meg arról, hogy a kapcsoló a kikapcsolt állásban van, mielőtt a szerszám gépet csatlakoztatja az áramforráshoz és/vagy behelyezi az akkumulátort, illetve amikor felveszi vagy szállítja a szerszámot.

A szerszám gépek szállítása úgy, hogy az ujj a kapcsolón van, valamint a bekapcsolt szerszám gépek áram alá helyezése vonzza a baleseteket.

d) Távolon el minden állítókulcsot vagy csavarkulcsot, mielőtt bekapcsolja a szerszám gépet.

A szerszám gép forgó részéhez csatlakoztatva hagyott csavarkulcs vagy kulcs személyi sérülést eredményezhet.

e) Ne nyúljon át a gép felett. Mindig álljon stabilan, és őrizz meg egyensúlyát.

Ez lehetővé teszi, hogy a szerszám gépet a váratlan helyzetekben is jobban irányítsa.

f) Öltözzen megfelelően. Ne viseljen laza ruházatot vagy ékszert. Tartsa távol a haját, ruházatát és kesztyűjét a mozgó részekről.

A laza ruházat, ékszer vagy hosszú haj beakadhat a mozgó részekbe.

g) Ha a porszívó és gyűjtő berendezések csatlakoztatásához külön eszközöket kapott, akkor gondoskodjon arról, hogy ezeket csatlakoztassák és megfelelően használják.

A porgyűjtő használata csökkentheti a porhoz kapcsolódó veszélyeket.

4) A szerszám gép használata és ápolása

a) Ne erőltesse a szerszám gépet. Használjon az alkalmazásához megfelelő szerszám gépet.

A megfelelő szerszám gép jobban és biztonságosabban végzi el a feladatot azon a sebességen, amelyre azt tervezték.

b) Ne használja a szerszám gépet, ha a kapcsoló nem kapcsolja azt be és ki.

Az a szerszám gép, amely a kapcsolóval nem vezérelhető, veszélyes, és meg kell javítani.

c) Húzza ki a dugaszt az áramforrásból és/vagy vegye ki az akkumulátort a szerszám gépből, mielőtt bármilyen beállítást végez, tartozékokat cserél vagy tárolja a szerszám gépeket.

Az ilyen megelőző biztonsági intézkedések csökkentik a szerszám gép véletlen beindulásának kockázatát.

d) A használaton kívüli szerszám gépeket tárolja úgy, hogy gyermekek ne férhessenek hozzá, és ne engedje meg, hogy a szerszám gépet vagy ezeket az utasításokat nem ismerő személyek használják a szerszám gépet.

Képzetlen felhasználók kezében a szerszám gépek veszélyesek.

e) Tartsa karban a szerszám gépeket. Ellenőrizze, hogy a szerszám gépen nincsenek-e elállítódva vagy beszorulva a mozgó alkatrészek, nincsenek-e törött alkatrészek, vagy van-e más körülmény, amely befolyásolhatja a szerszám gép működését.

Ha a szerszám gép sérült, használat előtt javíttassa meg.

Sok balesetet a rosszul karbantartott szerszám gépek okoznak.

- f) **A vágószerszámokat tartsa élesen és tisztán.**
Az éles vágóélekkel rendelkező, megfelelően karbantartott vágószerszámok kevésbé valószínű, hogy elakadnak, és könnyebben kezelhetők.
- g) **A szerszámgép tartozékait és betétkéseit stb. használja a jelen útmutatónak megfelelően, figyelembe véve a munkakörülményeket és a végzendő munkát.**
A szerszámgép nem rendeltetésszerű használata veszélyes helyzetet eredményezhet.

- 5) **Akkumulátoros szerszám használata és ápolása**
- a) **Csak a gyártó által előírt töltővel töltsse újra.**
Az egyfajta típusú akkumulátorhoz alkalmas töltő tűzveszélyt okozhat, ha egy másik akkumulátorral használják.
- b) **A szerszámgépeket csak a kifejezetten hozzájuk való akkumulátorokkal használja.**
Bármilyen más akkumulátor használata sérülés- és tűzveszélyt okozhat.
- c) **Amikor az akkumulátor nincs használatban, tartsa távol más fémtárgyaktól, mint például iratkapcsoktól, érméktől, kulcsoktól, szegektől, csavaroktól vagy egyéb kis fémtárgyaktól, amelyek érintkezésbe hozhatnak két csatlakozót.**
Az akkumulátor csatlakozóinak rövidre zárása égési sérüléseket vagy tüzet okozhat.
- d) **Helytelen körülmények között az akkumulátorból folyadékot folyhat ki; kerülje az érintkezést ezzel a folyadékkal. Ha véletlenül hozzáér, vízzel öblítse le. Ha a folyadék a szemmel kerül érintkezésbe, kérjen orvosi segítséget is.**
Az akkumulátorból kifolyó folyadék irritációt vagy égéseket okozhat.
- 6) **Szerviz**
- a) **A szerszámgépét képesítéssel rendelkező szerelővel javíttassa meg, csak azonos cserealkatrészek használatával.**
Ez biztosítja, hogy a szerszámgép biztonságos maradjon.

VIGYÁZAT

Tartsa távol a gyermekeket és beteg személyeket. Amikor nem használja a szerszámokat, tárolja úgy, hogy gyermekek és beteg személyek ne férhessenek hozzá.


AKKUMULÁTOROS SZÖGBELÖVŐ/ SZEGECSELŐ BIZTONSÁGI FIGYELMEZTETÉSEK

- Mindig feltételezzük, hogy az eszköz kapcsokat tartalmaz.**
A szögbelövő gondatlan kezelése a kapcsok váratlan belövelését és személyi sérülést okozhat.
- Ne irányítsa a szerszámot saját maga vagy a közelben tartózkodó személyek felé.**
A váratlan indítás elengedi a kapcsot, ami sérüléshez vezet.
- A szerszámot csak szorosan a munkadarabhoz helyezve működtesse.**
Ha a szerszám nem érintkezik a munkadarabbal, akkor a kapocs eltérhet a céltől.
- Húzza ki a szerszámot az áramforrásból, ha a kapocs elakad a szerszámban.**
Az elakadt kapocs eltávolítása közben a szögbelövő véletlenül bekapcsolódhat, ha be van dugva.
- Óvatosan távolítsa el az elakadt kapcsot.**
Az eszköz nyomás alatt állhat, és miközben megpróbálja megszüntetni az elakadt állapotot, a kapcsot erőteljesen kilöheti.

6. **Ne használja ezt a szögbelövőt elektromos kábelek rögzítéséhez.**

Nem elektromos kábelek felszereléséhez tervezték, és károsíthatja az elektromos kábelek szigetelését, ezáltal áramütést vagy tűzveszélyt okozhat.

TOVÁBBI BIZTONSÁGI FIGYELMEZTETÉSEK

- Biztonságos működés a helyes használat révén.**
Ezt a szerszámot arra tervezték, hogy szögeket üssön fába és más, hasonló anyagokba. Csak rendeltetésszerűen használja.
- Óvakodjon az égéssel és a robbanásokkal.**
Mivel a szögbetűtés során szikrázás előfordulhat, veszélyes a szerszám közelében a lakk, festék, benzin, hígító, benzin, gáz, ragasztók és hasonló gyúlékony anyagok használata, mivel ezek meggyulladhatnak vagy robbanást okozhatnak. Semmilyen körülmények között sem szabad ezt a szerszámot ilyen gyúlékony anyag közelében használni.
- Mindig viseljen szemvédőt (védőszemüveg).**
 A szerszámgép működtetése közben mindig viseljen szemvédőt, és biztosítsa, hogy a környező emberek is viseljenek védőszemüveget.
A nem megfelelően bevett szögek részeinek szembe kerülése veszélyezteti a látást. A védőszemüveg bármely szerszámkereskedésben megvásárolható. A szerszám használatakor mindig viseljen védőszemüveget. Használjon védőszemüveget vagy felárlarcot a vényköteles szemüveg felett.
A munkaadó minden esetben köteles előírni a szemvédő eszközök használatát.
- Védje fülét és fejét.**
A szegelési munka közben kérjük viseljen fül- és fejdédőt. A körülményektől függően győződjön meg arról is, hogy környezetében lévő emberek viselnek-e fül- és fejdédőt.
- Ügyeljen azokra, akik az Ön közelében dolgoznak.**
Nagyon veszélyes lenne, ha a nem megfelelően bevett szögek más embereket eltalálnának. Ezért mindig ügyeljen az Ön körül álló emberek biztonságára, ha ezt a szerszámot használja. Mindig győződjön meg róla, hogy senki teste, keze vagy lába nincs a szögbelövő közelében.
- Soha ne irányítsa a szögbelövőt emberek felé.**



Mindig feltételezzük, hogy az eszköz kapcsokat tartalmaz.

- Ha a szögbelövőt emberek felé tartja, súlyos baleseteket okozhat, ha véletlenül működésbe hozza az eszközt. Az akkumulátor csatlakoztatásakor és lecsatlakoztatásakor, szögbetűtés vagy hasonló műveletek közben győződjön meg arról, hogy a szögbelövő nem mutat senkire (beleértve önmagát is). Még akkor is veszélyes emberre fogva működtetni a szerszámot, ha egyáltalán nincsenek szögek betöltve, ezért ezt soha ne kísérelje meg. Nem játékszer. A szerszámot tekintse munkaeszköznek.

- Használat előtt ellenőrizze a tolókart.**
Győződjön meg arról, hogy a tolókar megfelelően működik. (A tolókart nevezhetjük „Biztonság”-nak.) Soha ne használja a szögbelövőt a tolókar megfelelő működése nélkül, különben a szögbelövő váratlanul szöget löhet ki. Ne módosítsa és ne távolítsa el a tolókart, különben a tolókar működésképtelenné válik.
- Fontos az indítási mód kiválasztása.**
Olvassa el és érte meg „A SZÖGBELÖVŐ HASZNÁLATA” című fejezetet a 241. oldalon.

Magyar

9. **A termék használata előtt győződjön meg arról, hogy az a 240. oldalon található „A szögbelövő tesztelése” című fejezetben foglaltaknak megfelelően működik.**

10. **Csak a meghatározott szögeket használja.**

Soha ne használjon olyan szögeket, amelyek eltérnek a jelen útmutatóban meghatározott és leírt szögektől.

11. **Legyen körültekintő az akkumulátor csatlakoztatásakor.**

Az akkumulátor csatlakoztatásakor és a szögek behelyezésekor győződjön meg az alábbiakról annak érdekében, hogy a szerszámot nehegy véletlenül működésbe hozza.

- Ne érintse meg az indítógombot.
- Ne engedje, hogy a tüzelőfej bármilyen felülettel érintkezzen.

○ Tartsa a tüzelőfejet lefelé.

Szigorúan tartsa be a fenti utasításokat, és mindig győződjön meg róla, hogy testének, kezének és lábának egyetlen része sincs a szögbelövő előtt.

12. **Véletlenül se tegye az ujját az indítógombra.**

Ne helyezze az ujját az indítógombra, kivéve, ha valóban szöget szeretne beütni. Ha a szerszámot úgy viszi, vagy adja át valakinek, hogy ujját az indítógombon tartja, akkor véletlenül szöget löhet ki, amely balesetet okozhat.

13. **A szögbelövőt erősen nyomja hozzá a szegelni kívánt anyaghoz.**

Az szögbelövéskor szorosan nyomja a szögbelövőt a szegelni kívánt anyaghoz. Amennyiben a szögbelövő elhelyezése nem megfelelő, a szög visszapatannhat.

14. **Használat közben kezét és lábát tartsa távol a tüzelőfejtől.**



Nagyon veszélyes, ha a szög véletlenül a kezét vagy a lábát találja el.

15. **Ügyeljen arra, hogy a szerszám visszárúg.**

A fejét stb. tartsa távol a szerszám tetejétől működés közben. Ez veszélyes, mert az eszköz hevesen visszaujt, ha az éppen beütés alatt álló szög egy korábban belőtt szöggel vagy a fában található csomóval érintkezik.

16. **Ügyeljen a kettős tüzelésre a visszaütés miatt.**

Ha a tolókar véletlenül újra hozzáér a munkadarabhoz a visszaütést követően, egy nem kívánt kapocs kerül belövéésre.

A nem kívánt kettős tüzelés elkerülése érdekében:

- Szakaszos működtetés (indítógomb megnyomása)
 - 1) Állítsa a kapcsolóberendezést a TELJES SOROZAT MŰKÖDTETŐ MECHANIZMUS állásba.
 - 2) Gyorsan és erősen húzza meg az indítógombot.
- Folyamatos működés (Tolókar tüzelése)
 - 1) Ne nyomja a szögbelövőt túlzott erővel a fához.
 - 2) Válassza le a szögbelövőt a fáról, amikor a rögzítés után visszaüt.

17. **Vékony falapok vagy a fa sarkának szegelésekor legyen óvatos.**

Vékony falapok szegelésekor a szög átütheti a lapot, valamint ez előfordulhat a fa sarkainak szegelésekor is a szögek elhajlása miatt. Ilyen esetekben mindig győződjön meg róla, hogy senki (és senki keze vagy lába, stb.) nincs a vékony falap mögött vagy a fa mellett, amelyet szegelni kíván.

18. **Ugyanazon falat mindkét oldalán egyidejűleg szegelni veszélyes.**

Semmilyen körülmények között nem szabad a fal mindkét oldalát egyidejűleg szegelni. Ez nagyon veszélyes lenne, mivel a szög átüthet a falon, és így sérüléseket okozhat.

19. **Ne használja a szerszámgépét állványokon, létrákon.**

A szerszámgépét bizonyos alkalmazásokhoz nem szabad használni, például:

- amennyiben a szögbelövés helyének megváltoztatásához állványok, lépcsők, létrák vagy létraszűrő szerkesztetek, pl. tetőlécek szükségesek,
- dobozok vagy ládák lezárása,
- szállítási biztonságos rendszerek illesztése pl. járműveken és vonatokon

20. **Távolítsa el az összes fennmaradó kapcsot és az akkumulátort a szögbelövőből, ha:**

- 1) karbantartást és ellenőrzést végez;
- 2) a tolókar és az indítógomb megfelelő működését ellenőrizi;
- 3) az orrfedelet csatlakoztatja vagy távolítja el;
- 4) elakadást szüntet meg;
- 5) nincs használatban;
- 6) elhagyja a munkaterületet;
- 7) más helyre viszi; és
- 8) másik személynek adja át.

Soha ne kísérelje meg az elakadás megszüntetését vagy a szögbelövő javítását az akkumulátor és minden maradék kapocs eltávolítása nélkül.

A szögbelövőt soha ne hagyja felügyelet nélkül, mert a szögbelövő használatát nem ismerő emberek használhatják és megsérthetik magukat.

21. **Távolítsa el az akkumulátort a szögbelövőből, ha:**

- 1) szöget tölt be;
- 2) az állítótárcsát elfordítja.

22. **Vegye ki az akkumulátort.**

Az orrfedél csatlakoztatásakor vagy leválasztásakor húzza ki az akkumulátort.

A tartozék orrfedél tolókar csúcsára való rögzítésekor vagy onnan történő leválasztásakor, előzőleg mindenképpen húzza ki az akkumulátort. Nagyon veszélyes, ha a szög véletlenül kerül belövéésre.

23. **A készülék működési környezete 0°C és 40°C között van, így azt ezen a hőmérsékleti tartományon belül használja. Lehetséges, hogy a készülék nem működik 0°C alatt, vagy 40°C felett.**

24. **Mindig 0-40°C közötti környezeti hőmérsékleten tölts fel az akkumulátort.**

A 0°C alatti hőmérséklet túltöltést okozhat, ami veszélyes. Az akkumulátor nem tölthető 40°C-nál magasabb hőmérsékleten.

A töltéshez a legideálisabb hőmérséklet 20–25°C.

25. **Ne használja folyamatosan a töltőt.**

Ha befejezett egy töltést, hagyja a töltőt kb. 15 percig állni, mielőtt újból tölteni kezd.

26. **Ne hagyja, hogy az újratölthető akkumulátor csatlakoztatására szolgáló nyílásba idegen anyag kerüljön.**

27. **Soha ne szerelje szét az újratölthető akkumulátort vagy a töltőt.**

28. **Soha ne zárja rövide az újratölthető akkumulátort.**

Az akkumulátor rövide zárása áramlökést, ezáltal túlmelegedést okoz. Ennek eredményeképpen az akkumulátor leégphet vagy károsodhat.

29. **Ne dobja tűzbe az akkumulátort.**

Az akkumulátor felrobbanhat a tűzben.

30. **A lemerült akkumulátor használata károsíthatja a töltőt.**

31. **Ha az akkumulátor működési ideje az újratöltést követően túl rövided válik a rendes használatához, akkor vigye vissza abba a boltba, ahol vásárolta.**

Ne dobja el a lemerült akkumulátort.

32. **Ne dobjon semmit a töltő szellőzésére szolgáló résekbe.**

Ha fémtárgyat vagy gyúlékony anyagot dug a töltő szellőzésére szolgáló résekbe, azzal elektromos áramütést okozhat, vagy a töltő megrongálódhat.

33. **SOHA NE engedje, hogy a mágnesek (vagy hasonló mágneses eszközök) a szögbelövő közelében legyenek, mert a szögbelövő belsejében mágneses érzékelő található.**

Ha így tesz, az hibát, vagy a hibás működés miatt sérülést okozhat.

34. A készülék pihentetése folyamatos használat után.
35. A szerszám gép a motor védelme érdekében túlmelegedés ellen védő áramkörrrel van felszerelve. A hosszabb időn keresztül folyamatos munka során a készülék hőmérséklete megemelkedhet, ami aktiválhatja a túlmelegedés ellen védő áramkört, mely a készülék működését automatikusan leállítja. Ha ez történik, hagyja a szerszám gépet lehűlni, mielőtt folytatná a használatát.
36. A készülék leáll, ha bármilyen rendellenességet érzékel. Ilyen esetben ellenőrizze a „HIBAELHÁRÍTÁS” címszó alatt felsorolt elemeket a 245. oldalon.
37. Ne tegye ki erős ütésnek a kapcsolópanelt, és ne nyomja el. Ez gondot okozhat.
38. Ne használja a terméket, ha a szerszám vagy az akkumulátor kivezetései (akkumulátor rögzítés) eldeformálódtak.
Az akkumulátor szerszámba való helyezése rövidzárlatot idézhet elő, ami füstképződést vagy tüzet eredményezhet.
39. A szerszám csatlakozóit (elemtartó) tartsa távol a forgáctól és a portól.
- Használat előtt győződjön meg arról, hogy az érintkezők környékén nem halmozódott fel fémforgács és por.
 - Használat közben ügyeljenzen elkerülni, hogy a szerszámra került fémforgács és por az akkumulátorra hulljon.
 - Üzemeltetés felfüggesztésénél vagy használat után ne hagyja a szerszámot olyan területen, ahol ki lehet téve a leeső fémforgácsnak vagy pornak.
Ha így tesz, az rövidzárlatot idézhet elő, ami füstképződést vagy tüzet eredményezhet.

A LÍTIUMION AKKUMULÁTORRAL KAPCSOLATOS FIGYELMEZTETÉS

Az élettartam meghosszabbítása érdekében a lítiumion akkumulátort védelmi funkcióval látták el, amely leállítja annak működését.

Az alább leírt 1–3. esetben a termék használatakor a motor akkor is leállhat, ha húzza a kapcsolót. Ez nem meghibásodást jelez, hanem a védelmi funkció eredménye.

1. Amikor az akkumulátor lemerül, a motor leáll.
Ilyen esetben haladéktalanul tölts fel az akkumulátort.
2. A motor leállhat, ha az eszköz túlterhelt. Ez esetben engedje el a szerszám kapcsolóját, és hárítsa el a túlterhelés okát. Ezt követően a gépet ismét használhatja.
3. Ha az akkumulátor a túlterhelt munka alatt túlmelegszik, az akkumulátorból jövő áramellátás megszűnhet.
Ebben az esetben hagyja abba az akkumulátor használatát, és hagyja lehűlni. Ezt követően a gépet ismét használhatja.

Kérjük, vegye figyelembe az alábbi figyelmeztetéseket és biztonsági tudnivalókat.

FIGYELMEZTETÉS

Az akkumulátor szivárgásának, felforrósodásának, a füst képződésének, illetve a robbanás vagy tűz keletkezésének megelőzése érdekében kérjük, tartsa be az alábbi óvintézkedéseket.

1. Ügyeljen rá, hogy fémforgács és por ne gyülemeljen fel az akkumulátoron.
- Munka közben ügyeljen rá, hogy fémforgács és por ne hulljon az akkumulátorra.
- Ügyeljen rá, hogy a munka közben az elektromos kéziszerszámra hulló fémforgács és por ne gyülemeljen fel az akkumulátoron.
- A használaton kívüli akkumulátort ne tárolja fémforgácsnak és pornak kitett helyen.

- Az akkumulátor eltávolítása előtt távolítsa el a ráakódott fémforgácsot és port, és ne tárolja fém alkatrészekkel együtt (csavarok, szögek stb.).
- 2. Ne szúrja át az akkumulátort hegyes tárggyal, például tüvel, ne üssön rá kalapáccsal, ne álljon rá, ne ejtse le, és ne tegye ki erős fizikai behatásnak.
- 3. Ne használjon láthatóan sérült vagy deformálódott akkumulátort.
- 4. Ne használja az akkumulátort fordított polaritással.
- 5. Ne csatlakoztassa az akkumulátort közvetlenül az elektromos csatlakozóaljzathoz vagy szivargyújtó-csatlakozóhoz.
- 6. Az akkumulátort kizárólag rendeltetése szerint használja.
- 7. Azonnal állítsa le az akkumulátor töltését, ha a töltés az előírt töltési idő után sem sikeres.
- 8. Ne tegye ki az akkumulátort magas hőmérsékletnek vagy nyomásnak. Ne helyezze az akkumulátort mikrohullámú sütőbe, szárítógépbe vagy nagynyomású tartályba.
- 9. Azonnal távolodjon el a tüztől, ha szivárgást vagy rendellenes szagot érzél.
- 10. Ne használja az akkumulátort erős statikus elektromosság közelében.
- 11. Azonnal vegye ki az akkumulátort a készülékből vagy a töltőből, és hagyja abba annak használatát, ha szivárgást, rendellenes szagot, felforrósodást, elszíneződést vagy deformációt, illetve bármilyen más rendellenességet érzél használat közben.
- 12. Ne merítse vízbe az akkumulátort, és ne hagyja, hogy folyadék kerüljön a belsejébe. Vezetőképes folyadék – például víz – bejutása tüzet vagy robbanást okozhat. Tárolja az akkumulátort hűvös, száraz helyen, az éghető és gyúlékony anyagoktól távol. Kerülni kell a korrozív gázok légkörbe jutását.

FIGYELEM

1. Ha az akkumulátorból szivárgó sav a szemébe jut, semmiképpen ne dörzsölje, ehelyett öblítse ki folyó vízzel, és azonnal forduljon orvoshoz.
Kezelés nélkül a folyadék látáskárosodást okozhat.
2. Ha a folyadék a bőrével vagy a ruházatával érintkezik, azonnal mossa le alaposan tiszta vízzel, például csapvízzel.
A folyadék irritálhatja a bőrt.
3. Ne használja az akkumulátort, és vigye azt vissza a kereskedőhöz, ha az első alkalommal való használatkor rozsdásodást, rendellenes szagot, felforrósodást, elszíneződést, deformációt vagy egyéb rendellenességet érzél.

FIGYELMEZTETÉS

Ha vezetőképes idegen anyag kerül a lítiumion akkumulátor terébe, rövidre zárhatja az akkumulátort, és tüzet okozhat. A lítiumion akkumulátor tárolásakor tartsa be az alábbi szabályokat.

- Ne tegyen vezetőképes hulladékot, szöveget és vezetékeket, pl. vas- vagy rézvezetéket a tárolódobozba.
- Az akkumulátort tegye a szerszámba, vagy tegye rá az akkumulátor tárolás esetén használt fedelét, amíg nem látja a szellőzőnyílást, így elkerülheti a rövidzárlatot.

LÍTIUM-ION AKKUMULÁTOR SZÁLLÍTÁSÁVAL KAPCSOLATOS SZEMPONTOK

Lítium-ion akkumulátor szállítása közben tartsa be a következő óvintézkedéseket.

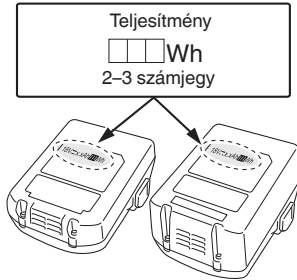
FIGYELMEZTETÉS

Értesítse a szállítmányozó céget arról, hogy a szállítmány lítium-ion akkumulátort tartalmaz. Adja meg nekik az akkumulátor teljesítményét, illetve a szállítmány szervezése során tartsa be a szállítmányozó utasításait.

- A 100 Wh kapacitást meghaladó lítium-ion akkumulátorok fuvarozási szempontból veszélyes árunak minősülnek, és különleges alkalmazási eljárásokat igényelnek.

Magyar

- A külföldre történő szállításhoz meg kell felelnie a vonatkozó nemzetközi jogszabályoknak, illetve a célország szabályainak és előírásainak.



AZ EGYES RÉSZEK ELNEVEZÉSE (1. ábra – 28. ábra)



①	Felső burkolat
②	Indítógomb
③	LED lámpa
④	Tüzelőfej (kimenet)
⑤	Tolókar
⑥	Szögadagoló (A)
⑦	Szögadagoló (B)
⑧	Tár
⑨	Kampó
⑩	Akkumulátor
⑪	Kapcsolórögztítő kar
⑫	Fogantyú
⑬	Leállító kar
⑭	Akkumulátor töltésjelző kapcsoló
⑮	Akkumulátor töltésjelző
⑯	Szögbelövés kapcsoló
⑰	Bekapcsolt állapot jelzője
⑱	Áramellátás kapcsoló
⑲	Szögbelövés jelzője
⑳	Szegezőszalag
㉑	Tár burkolata
㉒	Vájat
㉓	Penge terelő
㉔	Állítótárcsa
㉕	Horoglemez
㉖	Orrfedél
㉗	Zárókar
㉘	Terelőlap

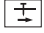
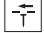


SZIMBÓLUMOK

FYGYELMEZTETÉS

Az alábbiakban a géphez alkalmazott jelöléseket soroltuk fel. A gép használata előtt feltétlenül ismerkedjen meg ezekkel a jelölésekkel.

	NT 1865DBAL: Akkumulátoros szögbelövő NT 1865DBSL: Akkumulátoros szögbelövő NT 1850DBSL: Akkumulátoros szegecselő
	A sérülések kockázatának csökkentése érdekében, a használatának el kell olvasnia a használati útmutatót.
	Csak EU-országok számára Az elektromos szerszámokat ne dobja a háztartási szemétkébe! Az elektromos és elektronikus berendezések hulladékairól szóló 2012/19/EU irányelv és annak a nemzeti jogba való átültetése szerint az elhasznált elektromos szerszámokat külön kell gyűjteni, és egy környezetbarát újrafeldolgozó létesítménybe kell visszavinni.
	Közvetlen áramellátás
	Bekapcsolás
	Kikapcsolás
	Vegye ki az akkumulátort
	Áramellátás kapcsoló
	Főkapcsoló KI
	Főkapcsoló BE Bekapcsolt állapot jelzője: Zölden világít
	Szögbelövés kapcsoló
	TELJES SOROZAT MŰKÖDTETŐ MECHANIZMUS
	TELJES SOROZAT MŰKÖDTETŐ MECHANIZMUS mód Szögbelövés jelzője: Kéken világít
	ÉRINTKEZŐS MŰKÖDTETŐ MECHANIZMUS
	ÉRINTKEZŐS MŰKÖDTETŐ MECHANIZMUS mód Szögbelövés jelzője: Kéken villog
	Indítógomb rögzítve
	Indítógomb nyitva
	Akkumulátor töltésjelző kapcsoló
	Az akkumulátor még elegendő töltéssel rendelkezik Akkumulátor töltésjelző: 2 LED (piros) világít
	Az akkumulátor töltöttsége körülbelül félig van. Akkumulátor jelzője: 1 LED (piros) világít

	Az akkumulátor hamarosan lemerül. Tölts fel újra az akkumulátort, amint lehet. Akkumulátor jelzője: 1 LED (piros) villog
	Vegye fel a kapcsolatot a HiKOKI-val ellenőrzésért. Akkumulátor töltésjelző: 2 LED narancssárgán villog, 10 másodperc elteltével a főkapcsoló automatikus kikapcsolása után.

	Sekély oldal
	Mély oldal
	Figyelem
	Tiltott művelet

MŰSZAKI ADATOK

1. Akkumulátoros szögbelevő

Modell	NT1865DBAL		NT1865DBSL	
Motor	DC kefe nélkül		DC kefe nélkül	
Alkalmazható szög	15 Ga (Szög: 34°)		16 Ga	
Alkalmazható szög hossza	32 – 65 mm		25 – 65 mm	
Szög betöltési kapacitás [szögek]	100 (1 csík)		100 (2 csík)	
Belövés módja	Teljes sorozat/Érintkezős (választható)		Teljes sorozat/Érintkezős (választható)	
Ciklus gyakoriság	[szögek/ másodperc]	3 (szakaszos)		3 (szakaszos)
Akkumulátor	Modell	BSL1830C		BSL1830C BSL1850
	Típus	Li-ion akkumulátor		
	Feszültség	DC 18 V		
Súly*	3,5 – 4,1 kg		3,4 – 4,0 kg	
Méret Magasság × Hosszúság × Szélesség	344 mm × 300 mm × 104 mm		315 mm × 298 mm × 104 mm	315 mm × 310 mm × 104 mm

* A 01/2014 EPTA-eljárás szerint
A csatlakoztatott akkumulátortól függően. A legnagyobb súly BSL36B18 (külön megvásárolható) segítségével kerül mérésre.

2. Akkumulátoros szegecselő

Modell	NT1850DBSL		
Motor	DC kefe nélkül		
Alkalmazható szög	18 Ga		
Alkalmazható szög hossza	16-50 mm		
Szög betöltési kapacitás [szögek]	100 (1 csík)		
Belövés módja	Teljes sorozat/Érintkezős (választható)		
Ciklus gyakoriság	[szögek/ másodperc]	3 (szakaszos)	
Akkumulátor	Modell	BSL1830C	BSL1850
	Típus	Li-ion akkumulátor	
	Feszültség	DC 18 V	
Súly*	3,3 – 4,0 kg		
Méret Magasság × Hosszúság × Szélesség	323 mm × 298 mm × 104 mm	323 mm × 310 mm × 104 mm	

* A 01/2014 EPTA-eljárás szerint
A csatlakoztatott akkumulátortól függően. A legnagyobb súly BSL36B18 (külön megvásárolható) segítségével kerül mérésre.

3. Akkumulátortöltő

Modell	UC18YFSL	UC18YML2
Töltési feszültség	DC 14,4 – 18 V	
Súly	0,5 kg	0,7 kg

MEGJEGYZÉS

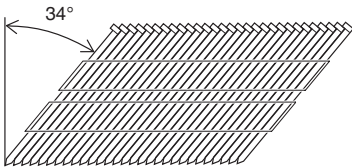
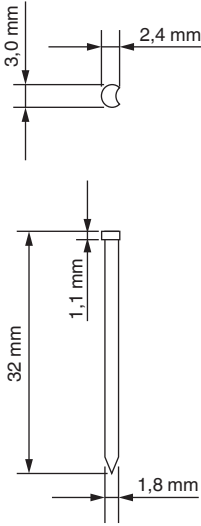

A HiKOKI folyamatos kutatási és fejlesztési programja következtében az itt szereplő műszaki adatok előzetes bejelentés nélkül változhatnak.

SZÖG KIVÁLASZTÁSA

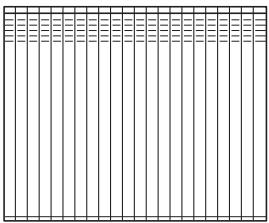
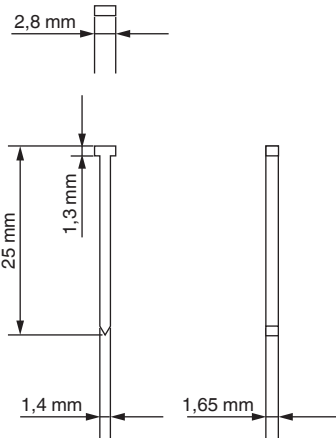

Csak az alábbi táblázatban látható szögeket lehet ezzel a szögbelövővel belőni.

A szögek méretei

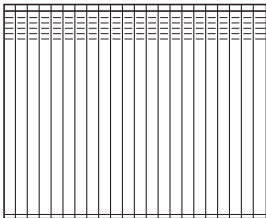

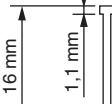
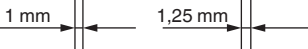

<NT1865DBAL>

	Min.	Max.
<p>15 szalagtáras szeg (Szög: 34°)</p> 		

<NT1865DBSL>

	Min.	Max.
<p>16 szalagtáras szeg (egyenes)</p> 		

<NT1850DBSL>

	Min.	Max.
<p>18 szalagtáras szegecs (egyenes)</p> 	 <p>1,9 mm</p>  <p>16 mm 1,1 mm</p>  <p>1 mm 1,25 mm</p>	 <p>50 mm</p>
	Kivéve a 35 mm hosszúságú szögeket	

SZABVÁNYOS KIEGÉSZÍTŐK

Az alapkészülék (1 készülék) mellett a csomag a 378. oldalon felsorolt kiegészítőket is tartalmazza.

A szabványos kiegészítők köre figyelmeztetés nélkül módosulhat.

ALKALMAZÁSI TERÜLETEK

<NT1865DBAL, NT1865DBSL>

- Szögbelövés az ajtók, ablakok, valamint szegélyek befejező műveletekért.
- Fiokok aljának rögzítése. Különböző dobozok és szekrények készítése.

<NT1850DBSL>

- Szekrény és képeret összeszerelése, bútor kárpitozása.
- Helyszíni és mobil házi kárpitozás és szegélyezés.

TÖLTÉS

A szerszámgép használata előtt töltsse fel az akkumulátort a következők szerint.

1. Csatlakoztassa az áramforráshoz. (3. ábra)

Ha váltakozó áramú forrásról tölti az akkumulátort

- Csatlakoztassa az akkumulátortöltő tápkábelét a dugaszolóaljzathoz.

Amikor az akkumulátor dugaszát az aljzathoz csatlakoztatja, a jelzőlámpa pirosan villog (1 másodpercenként).

FIGYELEM

Ne használja az elektromos zsinórt, ha sérült. Azonnal javíttassa meg.

Ha 12 V-os egyenáramú autós töltőről (UC18YML2) tölti az akkumulátort

- Gondosan tegye a helyére az akkumulátortöltőt az autóban.

Az akkumulátortöltőhöz kapott szíj segítségével rögzítse a helyére az akkumulátortöltőt, hogy az ne mozdulhasson el véletlenül. (Lásd **28. ábra**)

FIGYELEM

Ne tegye az akkumulátortöltőt vagy az akkumulátort a vezetőülés alá. Rögzítse az akkumulátortöltőt a helyére, hogy ne mozdulhasson el véletlenül, mert az balesethez vezethet.



28. ábra

- Dugja a szivargyújtós töltéshez való csatlakozódugót a szivargyújtó aljzatához. Ha a dugó túl laza, és kiesik a szivargyújtó aljzatából, akkor javítsa meg az aljzatot. Mivel az aljzat hibás lehet, azt javasoljuk, hogy keresse fel az autókereskedést. Az aljzat további használata balesethez vezethet a túlmelegedés miatt.
2. **Helyezze az akkumulátort a töltőbe.**
Az akkumulátort stabilan helyezze a töltőbe, amíg a vonal láthatóvá nem válik a **3. ábrán** látható módon. A vonalak az UC18YFSL-en nem láthatók. Győződjön meg róla, hogy az akkumulátort szorosan a helyére tette.
 3. **Töltés**
Amikor az akkumulátort behelyezi a töltőbe, a töltés megkezdődik, és a jelzőlámpa folyamatos piros fényvel világít.
Amint az akkumulátor töltése befejeződött, a jelzőlámpa piros fényvel villog. (1 másodperces időközönként). (Lásd az **1. táblázatot**).
- (1) A jelzőlámpa jelzései
A jelzőlámpa jelzéseit az akkumulátortöltő illetve az akkumulátor állapotának megfelelően az **1. táblázat** tartalmazza.

1. táblázat

<UC18YFSL>

A jelzőlámpa jelzései					
Jelzőlámpa (piros)	Töltés előtt	Villog	Kigyullad 0,5 mp.-ig. Elalszik 0,5 mp.-ig. (Nem világít 0,5 mp.-ig.)	/	
	Töltés közben	Világít	Folyamatosan világít		
	Töltés befejeződött	Villog	Kigyullad 0,5 mp.-ig. Elalszik 0,5 mp.-ig. (Nem világít 0,5 mp.-ig.)		
	Túlmelegedési készenlét	Villog	Kigyullad 1 mp.-ig. Elalszik 0,5 mp.-ig. (Nem világít 0,5 mp.-ig.)		Az akkumulátor túlmelegedett. Nem lehet tölteni. (A töltés akkor kezdődik, amikor az akkumulátor lehűl)
	Nem lehetséges a töltés	Vibrál	Kigyullad 0,1 mp.-ig. Elalszik 0,1 mp.-ig. (Nem világít 0,1 mp.-ig.)		Az akkumulátor vagy az akkumulátortöltő meghibásodott

<UC18YML2>

A jelzőlámpa jelzései				
A jelzőlámpa pirosan világít vagy villog.	Töltés előtt	Villog	Kigyullad 0,5 mp.-ig. Elalszik 0,5 mp.-ig. (Nem világít 0,5 mp.-ig.)	/
	Töltés közben	Világít	Folyamatosan világít	
	Töltés befejeződött	Villog	Kigyullad 0,5 mp.-ig. Elalszik 0,5 mp.-ig. (Nem világít 0,5 mp.-ig.)	
	Nem lehetséges a töltés	Gyorsan villog	Kigyullad 0,1 mp.-ig. Elalszik 0,1 mp.-ig. (Nem világít 0,1 mp.-ig.)	
A jelzőlámpa zölden világít vagy villog.	Túlmelegedési készenlét	Világít	Folyamatosan világít	Az akkumulátor túlmelegedett. Nem lehet tölteni. (A töltés akkor kezdődik, amikor az akkumulátor lehűl)
	Az autós töltővel nem tölthető	Villog	Kigyullad 0,5 mp.-ig. Elalszik 0,5 mp.-ig. (Nem világít 0,5 mp.-ig.)	A DC 12 V tápegység hibás

MEGJEGYZÉS: Az akkumulátor hűtése miatti készenlét alatt az UC18YML2 hűtőventillátor segítségével hűti a túlmelegedett akkumulátort.
(A hűtőventillátor azonban nem működik, amikor a 12 V-os egyenáramú autós töltőről tölti az akkumulátort.)

(2) Az újratölthető akkumulátor hőmérsékletére vonatkozóan.
Az újratölthető akkumulátorok hőmérsékletét a **2. táblázat** tartalmazza. A felforrósodott akkumulátorokat az újbóli töltés előtt hagyni kell lehűlni.

2. táblázat Az akkumulátorok újratöltésének tartományai

Újratölthető akkumulátorok	Hőmérséklet, amelyen az akkumulátor újratölthető
BSL1830C, BSL1850	0°C – 50°C

(3) A töltés idejét illetően
A töltő és akkumulátor kombinációjától függően a töltési időket a **3. Táblázat** tartalmazza.

3. táblázat Töltési idő (20°C-on) (hálózati tápegység/12 V váltóáramú (autós) tápkábel)

Akkumulátor \ Töltő	UC18YFSL	UC18YML2
BSL1830C	Kb. 45 perc	Kb. 45/120 perc
BSL1850	Kb. 75 perc	Kb. 75/200 perc

MEGJEGYZÉS

A töltési idő a környezeti hőmérséklettel és az áramforrás feszültségtől függően változhat.

<UC18YML2>

Különösen a 12 V-os egyenáramú autós töltővel magas hőmérsékleten való töltés igényelhet hosszabb töltési időt.

FIGYELEM

Az akkumulátortöltő a folyamatos használat alatt felmelegedhet, és így meghibásodást okozhat. A töltés befejezését követően hagyja 15 percet pihenni a következő töltésig.

4. Húzza ki a töltő tápvezetékét az aljzataból vagy a szivargyújtóból.
5. Tartsa szilárdan kézben az akkumulátortöltőt, és húzza ki belőle az akkumulátort.

MEGJEGYZÉS

Ne felejtse el kivenni az akkumulátort a töltőből, és eltenni használat után.

HASZNÁLAT ELŐTT

Művelet	Ábra	Oldal
Az akkumulátor kivétele és behelyezése	2	379
Töltés	3	380
A tartozékok kiválasztása	—	385

Kisütés új akkumulátor esetén, stb.

Mivel az új és a hosszabb időn át nem használt akkumulátorokban a belső vegyi anyagok nem voltak aktiválva, az első és második használat során a rendelkezésre álló idő rövidebb lehet. Ez egy időszakos jelenség és a töltéshez szükséges normál időtartam beáll, miután az akkumulátor 2-3 alkalommal fel lett töltve.

Hogyan őrizze meg az akkumulátor élettartamát.

- (1) Töltse fel az akkumulátort, mielőtt az teljesen lemerülne. Ha úgy érzi, hogy a szerszámgép ereje csökkenően van, függesse fel a működtetést és töltse fel az akkumulátort. Ha a működtetést ilyenkor tovább folytatja és lemeríti az akkumulátort, károsíthatja ezzel az akkumulátort és annak élettartamát csökkentheti.
- (2) Kerülje a töltést magas környezeti hőmérsékleten. Egy újratölthető akkumulátor használat közben felmelegszik. Ha egy ilyen felmelegedett akkumulátort kívánna újratölteni közvetlenül használat után, annak belső vegyi anyaga megromolhat és ezzel rövidebbé válhat az élettartama. Hagyja lehűlni az akkumulátort és csak ezután töltse újra.

FIGYELEM

- Ha az akkumulátort felmelegedett állapotban tölti, például mert hosszú ideig olyan helyen hagyta, ahol közvetlen napfény érte, vagy mert egyszerűen használta az akkumulátort, a töltő jelzőlámpája 1 másodpercre felvillan, majd 0,5 másodpercre elalszik (nem ég 0,5 másodpercig) (UC18YFSL) vagy zölden világít. (UC18YML2). Ebben az esetben először hagyja lehűlni az akkumulátort, és csak ezután kezdje meg a töltést.
- Ha a jelzőlámpa pirosan villog (0,2 másodpercenként), ellenőrizze, hogy nincs-e semmilyen idegen tárgy a töltő akkumulátorcsatlakozójában. Ha nem talál idegen tárgyat, lehetséges, hogy az akkumulátor vagy a töltő meghibásodott. Vigye el egy hivatalos szervizközpontba.
- Mivel a beépített mikroszámítógép körülbelül 3 másodperc alatt ismeri fel, hogy az UC18YFSL/UC18YML2-vel töltött akkumulátort kivette, várjon legalább 3 másodpercet, mielőtt visszahelyezné, és folytatná a töltést. Ha az akkumulátort 3 másodpercen belül visszahelyezi, előfordulhat, hogy nem kerül megfelelően feltöltésre.
- Ha a jelzőlámpa pirosan villog (1 másodpercenként), akkor ellenőrizze az autós áramforrás feszültségét. (UC18YML2)
Ha a feszültség 12 V vagy alacsonyabb, az azt jelzi, hogy az autó akkumulátora merül, és nem lehet tölteni.
- Ha a jelzőlámpa nem villog pirosan (másodpercenként) akkor sem, amikor a töltő zsinórját vagy a szivargyújtó csatlakozódugaszát csatlakoztatta az áramforráshoz, az azt jelzi, hogy a töltő védőáramköre bekapcsolható. Húzza ki a zsinórt vagy dugaszt az áramból, majd kb. 30 másodperc múlva dugja vissza. Ha a jelzőlámpa ettől sem kezd el pirosan villogni (másodpercenként), akkor kérjük, vigye a töltőt egy HiKOKI márkaszervizbe.

1. A kezelőpanel működtetése

- (1) Főkapcsoló BE (Lásd a 4. ábrát)

A „Főkapcsoló KI” állapotban nyomja meg és tartsa lenyomva a főkapcsolót több mint 1 másodpercig, majd a tápellátás jelzője zöld színnel világítani kezd.

MEGJEGYZÉS

Ne nyomja meg a tolokart és/vagy húzza meg az indítógombot a főkapcsoló BE kapcsolásának folyamata közben.

Ez lehetetlenné teszi a főkapcsoló bekapcsolását.

[Automatikus kikapcsolás]

Amikor az áramellátás be van kapcsolva, de a szögbelövőt 30 percig nem használja, a szögbelövő automatikusan kikapcsol. Ismételt bekapcsolásához nyomja meg a főkapcsolót.

FIGYELMEZTETÉS

Soha ne hagyja a szögbelövőt bekapcsolt állapotban. Ez balesetet okozhat.

- (2) Főkapcsoló KI (Lásd a 4. ábrát)

A „Főkapcsoló BE” állapotban nyomja meg és tartsa lenyomva a főkapcsolót több mint 1 másodpercig, majd a tápellátás jelzője kialszik.

A „Főkapcsoló BE” állapotban az alábbi funkciók aktívak.

- (3) Szögbelövés módjának kiválasztása

(Teljes sorozat működtető/Érintkezős működtető)

A főkapcsoló bekapcsolása után mindig állítsa teljes sorozat működtető módba kezdeti értéként. (A szögbelövés műveletének jelzője kéken világít.) (Lásd 5. ábra)

A szögbelövő mód megváltoztatásához nyomja meg egyszer a szögbelövés kapcsolót. A mód a gomb minden megnyomásakor vált a „Teljes sorozat” és a „Érintkezős” között. (Lásd 6. ábra)

Világítás (Kék):

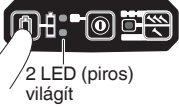
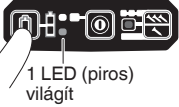

TELJES SZOROZAT MŰKÖDTETŐ MECHANIZMUS,

Világítás (Kék):

ÉRINTKEZŐS MŰKÖDTETŐ MECHANIZMUS

- (4) Ellenőrizze az akkumulátor töltöttségi szintjét

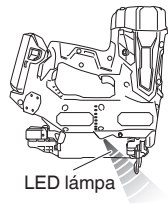

Ha megnyomja az akkumulátor jelző kapcsolót, az akkumulátor jelzője az akkumulátor töltöttségi szintjét mutatja a LED lámpák alábbiak szerinti állapotának megfelelően.

A jelző állapota	
	Az akkumulátor még elegendő töltéssel rendelkezik.
	Az akkumulátor töltöttsége körülbelül félig van.
	Az akkumulátor hamarosan lemerül. Töltse fel újra az akkumulátort, amint lehet.

Magyar

(5) Egyéb funkciók

Működési hiba esetén a LED lámpák az alábbiak szerint világitanak.

<p>A jelző állapota</p>  <p>LED lámpa</p> <p>A LED lámpa bizonyos időközönként villog.</p> <ul style="list-style-type: none">• Túl meleg állapot esetén 1 másodpercenként villog.• Túl hideg állapot esetén 0,5 másodperces időközönként villog. <p>10 másodperc eltelte után a LED lámpa és a főkapcsoló automatikusan kikapcsol.</p>	<p>A gép túl hideg (-5°C alatt) vagy túl meleg állapotban van.</p> <p>Hagyja a szögbelövőt kihűlni vagy felmelegedni a megfelelő körülmények között.</p>
 <p>2 LED narancssárgán villog, 10 másodperc elteltével a főkapcsoló automatikus kikapcsolása után.</p>	<p>Vegye fel a kapcsolatot a HiKOKI-val ellenőrzésért.</p>

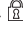
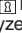

- (6) A LED lámpa használata (Lásd 7. ábra)
Bekapcsolt főkapcsoló mellett a LED lámpa automatikusan megvilágítja a szerszám hegyét.

FIGYELEM

- Ne tegye ki szemét közvetlenül a fénynek a lámpába nézve.
Ha szemét folyamatosan éri a fény, a szeme megsérül.
- Egy puha ruhával töröljön le mindennemű koszt és szennyeződést a LED lámpa lencséjéről, ügyelve arra, hogy ne karcolja meg a lencsét.
A LED lámpa lencséjén található karcok a fényerő csökkenését eredményezhetik.

2. Indítógomb lezáró mechanizmus (lásd 8. ábra)

FIGYELMEZTETÉS

- Győződjön meg róla, hogy az indítógomb le van zárva, ha nem ló be szögeket.
- Ez a szögbelövő záró mechanizmussal rendelkezik a szögbelövés megelőzésére.
- Állítsa a kapcsolót záró kart a  helyzetbe a kapcsoló lezárásához.
- Csúsztassa a kapcsoló rögzítő kart  helyzetbe, amikor a szögbelövőt használja és  helyzetbe, amikor nem használja.

3. A szögbelövő tesztelése

FIGYELMEZTETÉS

- Győződjön meg róla, hogy az indítógomb le van zárva, ha nem ló be szögeket. (Lásd 8. ábra)
- Soha ne használja a szögbelövőt, ha a tolókar nem működik megfelelően.
Az NT1865DBAL és NT1865DBSL megelőző mechanizmust alkalmaznak a nem betöltött állapotban történő működés elkerüléséhez.
Az NT1865DBAL és NT1865DBSL olyan állapotba kerülnek, amelyben a tolókar nem tolható fel. Ez akkor történik, amikor a tárban nincsenek szögek betöltve, vagy a tárban maradó szögek száma 6-nál vagy 9-nél kevesebb.

FIGYELEM

Ügyeljen arra, hogy ne helyezze a tolókar hegyét a fára. A szögbelövő munka megkezdése előtt próbálja ki a szögbelövőt az alábbi ellenőrzőlista segítségével. Végezze el a tesztet az alábbi sorrendben.

Ha rendszeresen működés lép fel, fejezze be a szögbelövő használatát és azonnal vegye fel a kapcsolatot egy hivatalos HiKOKI szervizközponttal.

- (1) TÁVOLÍTSON EL MINDEN SZÖGET ÉS AKKUMULÁTORT A SZÖGBELÖVŐBŐL.

MINDEN CSAVART MEG KELL HÚZNI.

MOZGASSA ÓVATOSAN A TOLÓKART ÉS AZ INDÍTÓGOMBOT a szögadagoló (B) visszahúzásával. (NT1850DBSL: Nem szükséges szögadagoló visszahúzása)

- (2) Akkumulátor behelyezése.

Ne működtesse a tolókart vagy az indítógombot az akkumulátor behelyezése közben. (Lásd 2. ábra)

- (3) Kapcsolja be a főkapcsolót. (Lásd 1. ábra)
Kapcsolja be a főkapcsolót a főkapcsoló megnyomásával és 1 másodpercnél tovább történő nyomva tartásával. Győződjön meg róla, hogy a bekapcsolt állapotjelző zölden, és a szögbelövés jelzőfénye kéken világít. (TELJES SOROZAT MŰKÖDTETŐ MECHANIZMUS)

MEGJEGYZÉS

Ne nyomja meg a tolókart és/vagy húzza meg az indítógombot a főkapcsoló BE kapcsolásának folyamata közben.

Ez lehetetlenné teszi a főkapcsoló bekapcsolását.

[Automatikus kikapcsolás]

Amikor az áramellátás be van kapcsolva, de a szögbelövőt 30 percig nem használja, a szögbelövő automatikusan kikapcsol. Ismételt bekapcsolásához nyomja meg a főkapcsolót.

FIGYELMEZTETÉS

Soha ne hagyja a szögbelövőt bekapcsolt állapotban. Ez balesetet okozhat.

Szögbelövés jelzője

Világítás (Kék):

TELJES SOROZAT MŰKÖDTETŐ MECHANIZMUS,

Világítás (Kék):

ÉRINTKEZŐS MŰKÖDTETŐ MECHANIZMUS

Győződjön meg róla, hogy az akkumulátor töltésjelzője nem villog.

Ha az akkumulátor töltésjelzője pirosan villog, az akkumulátor töltöttsége nem elegendő, és fel kell tölteni.

- (4) Vegye le az ujját az indítógombról és nyomja a tolókart a munkadarabhoz a szögadagoló (B) visszahúzásával.

A SZÖGBELÖVŐNEK TILOS MŰKÖDNIÉ.

- (5) Válassza le a tolókart a munkadarabról.

Ezt követően tartsa a szögbelövőt lefelé a szögadagoló (B) visszahúzásával, húzza meg az indítógombot, majd várjon ebben a helyzetben 5 másodpercig vagy tovább.

A SZÖGBELÖVŐNEK TILOS MŰKÖDNIÉ.

- (6) ① Az indítógomb megérintése nélkül nyomja le a tolókart a munkadarabhoz a szögadagoló (B) visszahúzásával.

Ezt követően húzza meg az indítógombot.

A SZÖGBELÖVŐNEK MŰKÖDNIÉ KELL.

② Tartsa vissza az indítógombot és nyomja a tolókart a munkadarabhoz.

A SZÖGBELÖVŐNEK TILOS MŰKÖDNIÉ.

- ③ Vegye le az ujját az indítógombról.
Ezt követően az ① ismét működik.

A SZÖGBELÖVŐNEK MŰKÖDNI KELL.

- (7) Válassza le a tolókart a munkadarabról, húzza meg az indítógombot.

Nyomja le a tolókart a munkadarabhoz 2 másodpercen belül.

A SZÖGBELÖVŐNEK TILOS MŰKÖDNIÉ.

- (8) Állítsa a szögbelövés jelzőt villogó BE módba. (ÉRINTKEZŐS MŰKÖDTETŐ MECHANIZMUS)
Nyomja meg egyszer a szögbelövés kapcsolót, és győződjön meg róla, hogy a jelző kéken villog.
Válassza le a tolókart a munkadarabról, húzza meg az indítógombot.

Nyomja le a tolókart a munkadarabhoz 2 másodpercen belül.

A SZÖGBELÖVŐNEK MŰKÖDNIÉ KELL.

- (9) Ha nem figyeltek meg rendellenes működést, betöltheti a szögeket a szögbelövőbe.

Lőjön be szögeket a tényleges alkalmazással megegyező típusú munkadarabba.

A SZÖGBELÖVŐNEK MEGFELELŐEN KELL MŰKÖDNIÉ.

4. A tolókar működésének ellenőrzése

FIGYELMEZTETÉS

Győződjön meg róla, hogy az indítógomb le van zárva, ha nem ló be szögeket.

A tolókar működésének ellenőrzésekor mindig győződjön meg róla, hogy az indítógombot lezárta és az akkumulátort eltávolította.

Ellenőrizze, hogy működés közben a tolókar simán csúszik-e.

Tisztítsa meg a csúsztató területet a tolókaron, ha nem csúszik simán.

5. Szögek betöltése

FIGYELMEZTETÉS

Szögek betöltésekor a szögbelövőbe,

- 1) távolítsa el az akkumulátort a szögbelövőből;
- 2) ne húzza meg az indítógombot;
- 3) ne nyomja le a tolókart; és
- 4) tartsa a szögeket lefelé.

<NT1865DBAL, NT1865DBSL>

Kettős működésű szög betöltése!

- (1) Helyezze be a szegezőszalagot a tár hátuljába. (Lásd **9. ábra**)

- (2) Csúsztassa előre a szegezőszalagot a tárban. (Lásd **10. ábra**)

- (3) Nyomja meg a szögadagolót (A) a szögadagoló (B) szegezőszalagra engedéséhez. (Lásd **11. ábra**)

MEGJEGYZÉS

- Csendesen nyomja a szögadagolót (A) és a szögadagolót (B) a szöghöz.

Ha a szögbelövőt (A) és a szögadagolót (B) leválasztja a tár hátlapjáról és a szöghöz úti, a szög összekötő ragasztója megsérülhet.

- Használjon több mint 10 szöget tartalmazó szegezőszalagot.

- Használjon törés nélküli, egyforma hosszúságú szögeket tartalmazó szegezőszalagot.

A szögbelövő most készen áll a használatra.

A szögek eltávolítása:

- ① Húzza a szögadagolót (B) hátra. (Lásd **12. ábra**)
- ② Tolja vissza előre a szögadagolót (B) csendesen a szögadagoló (A) megnyomása közben.
- ③ A tár hátuljából húzzon ki szögeket. (Lásd **13. ábra**)

<NT1850DBSL>

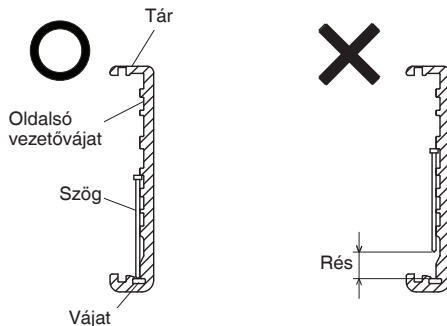
- (1) Nyomja meg finoman a leállító kart, és óvatosan húzza ki a tár fedelét. (Lásd **14. ábra**)

- (2) Helyezze a szegezőszalagot a tárba úgy, hogy a szögek hegye érintse a vajatot. (Lásd **15. ábra**)

MEGJEGYZÉS

A 237. oldalon látható szögek a tár oldalvezető vajatába is betölthetők bármilyen beállítás nélkül.

A szögek hegyének mindig érintenie kell a vajatot.



- (3) Csúsztassa a szegezőszalagot a penge terelőbe. (Lásd **16. ábra**)

- (4) Győződjön meg róla, hogy a szegezőszalag elhelyezése megfelelő az oldalsó vezetővájattal és a vajattal, majd tolja előre a tár fedelét a reteszeléshez.

A SZÖGBELÖVŐ HASZNÁLATA

FIGYELMEZTETÉS

- SOHA ne irányítsa a szerszámat saját magára vagy a munkaterületen tartózkodó más személyekre.
- Ha nem ló be szöget, vegye EL az ujját az indítógombról a véletlen szögbelövés elkerülése érdekében.
- Ne használja az elektromos zsinórt, ha sérült. Azonnal javíttassa meg.
- Fontos az indítási mód kiválasztása. Kérjük, olvassa el és értse meg az alábbiakban található „1. Szögbelövési eljárások” című részt.
- A munka megkezdése előtt ellenőrizze a szögbelövés kapcsoló eszközt. Ez a HIKOKI szögbelövő szögbelövés kapcsoló eszközt tartalmaz.

A munka megkezdése előtt győződjön meg arról, hogy a kapcsoló eszköz megfelelően van-e beállítva.

Ha a kapcsoló eszköz beállítása nem megfelelő, a szögbelövő nem működik megfelelően.

- Soha ne tegye az arcát, kezét vagy lábát tüzelőfejhez közel.
- Ne vezessen szögeket más szögek tetejére vagy a szögbelövővel túl éles szögben; a szögek visszapatthanak és megsérülhetnek lakit.
- Ne löje a szögeket vékony falapokba vagy a munkadarab sarkainak és széleinek közelébe. A szögek áthaladhatnak a munkadarabon, vagy lepattanhatnak és megüthetnek lakit.
- Soha ne lőjön be szögeket egyszerre a fal mindkét oldalán. A szögek áthaladhatnak a falon és megüthetnek egy, a túoldalalon tartózkodó személyt.
- Soha ne használjon hibás vagy rendellenesen működő szögbelövőt.
- Ne használja a szögbelövőt kalapácsként.
- Távolítsa el az összes maradék kapcsolót és az akkumulátort az szögbelövőből, ha:
 - 1) karbantartást és ellenőrzést végez;
 - 2) a tolókar és az indítógomb megfelelő működését ellenőri;

Magyar

- 3) az orrfedelet csatlakoztatja vagy távolítja el;
 - 4) elakadást szüntet meg;
 - 5) nincs használatban;
 - 6) elhagyja a munkaterületet;
 - 7) más helyre viszi; és
 - 8) másik személynek adja át.
- Távolítsa el az akkumulátort a szögbelövőből, ha:
- 1) szöget tölt be;
 - 2) az állítótárcsát elfordítja.
- Ez a HiKOKI szögbelövő szögbelövés kapcsoló eszközzel rendelkezik.

Az elvégzendő munkának megfelelően használja a TELJES SOROZAT MŰKÖDTETŐ MECHANIZMUS-t vagy az ÉRINTKEZŐS MŰKÖDTETŐ MECHANIZMUS-t.

A különböző szögbelövő műveletek magyarázata

- TELJES SOROZAT MŰKÖDTETŐ MECHANIZMUS:
- Először nyomja a tolókart a fához; ezt követően húzza meg az indítógombot a szögbelövéshez.
- A szögbelövés folytatásához hajtsa végre ugyanebben a sorrendben.
- Egy szögbelövést követően addig nem lehet újabb szögbelövést végezni, amíg le nem veszi az ujját az indítógombról és teljesen el nem emelte a szerszámot a fa felületétől.
- ÉRINTKEZŐS MŰKÖDTETŐ MECHANIZMUS:
- Az ÉRINTKEZŐS MŰKÖDTETÉS két különböző sorrendben történhet a használatlól függően.
- Több szög belövéséhez:
1. Húzza meg az indítógombot.
 2. Nyomja a tolókart a fához a szög belövéséhez.
 3. Ha lenyomva tartja az indítógombot, akkor minden alkalommal, amikor a nyomókart a fához nyomja szöget lő be.
- Egy szög belövéséhez:
1. Nyomja a tolókart a fához.
 2. Húzza meg az indítógombot a szögbelövéshez.
 3. Vegye le az ujját az indítógombról és vegye el a szögbelövőt a fától.

[Üres-belövés zárolása mechanizmus]

Az NT1865DBAL és NT1865DBSL megelőző mechanizmust alkalmaznak a nem betöltött állapotban történő működés elkerüléséhez.

Az NT1865DBAL és NT1865DBSL olyan állapotba kerülnek, amelyben a tolókar nem tolható fel. Ez akkor történik, amikor a tárban nincsenek szögek betöltve, vagy a tárban maradó szögek száma 6-nál vagy 9-nél kevesebb.

FIGYELEM

Ügyeljen arra, hogy a tolókar hegyét ne tolja a fához, ha a tolókart nem lehet feltolni.

1. Szögbelövési eljárások

Ez a Szögbelövő tolókaral rendelkezik és a tolókar lenyomása nélkül nem működik.

A Szögbelövővel való szög belövésének két módja van.

- Ezek a következők:
1. Szakaszos működtetés (Indítógombbal indítás);
 2. Folyamatos működtetés (Tolókaral indítás);

(1) Szakaszos működtetés (Indítógombbal indítás)
Használja a TELJES SOROZAT MŰKÖDTETŐ MECHANIZMUS beállítását. (Lásd 17. ábra)

FIGYELMEZTETÉS

- A szakaszos működtetéséhez állítsa a szögbelövés üzemmód kapcsolót TELJES SOROZAT MŰKÖDTETŐ MECHANIZMUS-ra (A szögbelövés működésének jelzője kéken világít.) (pl. Állítsa EGYETLEN MŰKÖDTETŐ MECHANIZMUS-ra.)
- A kettős vagy a véletlen tüzelés elkerüléséhez.
- 1) Állítsa be a TELJES SOROZAT MŰKÖDTETŐ MECHANIZMUS-t.
 - 2) Gyorsan és erősen húzza meg az indítógombot.
- ① Állítsa a szögbelövés üzemmód kapcsolót TELJES SOROZAT MŰKÖDTETŐ MECHANIZMUS-ra (A szögbelövés működésének jelzője kéken világít.)

(a TELJES SOROZAT MŰKÖDTETŐ MECHANIZMUS beállításához).

(Állítsa be a kapcsoló eszközt úgy, hogy a szögbelövés jelzője kéken világítson a 17. ábrán látható módon. Ellenkező esetben az ÉRINTKEZŐS MŰKÖDTETŐ MECHANIZMUS kerül beállításra.)

- ② Ujját az indítógombról elvéve tegye a szög kimeneti nyílását a munkadarabra.
 - ③ Nyomja le határozottan a tolókart, amíg teljesen le nem nyomja.
 - ④ Húzza meg az indítógombot a szögbelövéshez.
 - ⑤ Vegye le az ujját az indítógombról és emelje el a szerszámot teljesen a fa felületétől.
- A szögbelövés más helyen történő folytatásához mozgassa a szögbelövőt a fa mentén, és szüksége esetén ismétlje meg a ② - ⑤ lépéseket.

MEGJEGYZÉS

A ③. és ④. műveleteket egymást követően, 2 másodpercen belül kell végrehajtani. Ha a ③. lépés után több mint 2 másodperc eltelik, a szögbelövő nem fog megfelelően működni. Ha ez történik, próbálkozzon újra a ③. lépéstől.

- (2) Folyamatos működtetés (Tolókaral indítás)
Az ÉRINTKEZŐS MŰKÖDTETŐ MECHANIZMUS használata (lásd 18. ábra)

FIGYELMEZTETÉS

A kettős vagy a véletlen tüzelés elkerüléséhez.

- 1) Ne nyomja a szögbelövőt túlzott erővel a fához.
- 2) Válassza le a szögbelövőt a fáról, amikor a szögbelövés után visszaut.

① Állítsa a szögbelövés üzemmód kapcsolót ÉRINTKEZŐS MŰKÖDTETŐ MECHANIZMUS-ra (A szögbelövés működésének jelzője kéken villog.) (az ÉRINTKEZŐS MŰKÖDTETŐ MECHANIZMUS beállításához).

(Állítsa be a kapcsoló eszközt úgy, hogy a szögbelövés jelzője kéken villogjon a 18. ábrán látható módon. Ellenkező esetben nem fog megfelelően működni.)

- ② Húzza meg az indítógombot a szögbelövőt a munkadarabtól elvéve.
- ③ Nyomja le a tolókart a munkadarabhoz a szög belövéséhez.
- ④ Mozdassa a Szögbelövőt a munkadarab mentén pattogó mozgással.

A tolókar minden egyes lenyomásával szöget lő be.

Amint a kívánt számú szög belövése megtörtént, vegye le az ujját az indítógombról.

MEGJEGYZÉS

A ②. és ③. műveleteket egymást követően, 2 másodpercen belül kell végrehajtani. Ha a ②. lépés után több mint 2 másodperc eltelik, a szögbelövő nem fog megfelelően működni. Ha ez történik, próbálkozzon újra a ②. lépéstől.

FIGYELMEZTETÉS

- A szögbelövés kivételével ne tartsa az ujját az indítógombon, mert súlyos sérülést okozhat, ha a tolókar véletlenül Önhöz vagy a munkaterületen tartózkodó más személyhez ér.
- Tartsa távol a kezét és a testét a kilövés területétől. Ez a HiKOKI szögbelövő a szögbelövéskor visszaugorhat és véletlenül kilőheti a következő szöget, ezzel esetleg sérülést okozva.

MEGJEGYZÉS

- Ha minden figyelmeztetést és utasítást betart, a biztonságos működés mindkét rendszerrel lehetséges: TELJES SOROZAT MŰKÖDTETŐ MECHANIZMUS, ÉRINTKEZŐS MŰKÖDTETŐ MECHANIZMUS.
- A szögeket és a csomagolást mindig óvatosan kezelje. Ha a szögek leesnek, az összeillesztési kapocs megszakadhat, ami hibás adagolást és elakadást okozhat.

- Szögbelövés után:
 - 1) távolítsa el az akkumulátort a szögbelövből;
 - 2) vegyen ki minden szöget a szögbelövből;
- 2. A szögbelövés mélységének beállítása**
Annak biztosítása érdekében, hogy minden szög egyforma mélyre hatoljon, győződjön arról, hogy a szögbelövő mindig szorosan illeszkedik a munkadarabhoz.

Ha a szögek túl mélyen vagy nem elegendő mélységig hatolnak be a munkadarabba, állítsa be a szögbelövőt az alábbi sorrendben.

- ① Vegye ki az akkumulátort a szögbelövből.
- ② Ha a szögek túl mélyre hatolnak, tekerje az állítótárcsát a sekélyebb oldal felé. (Lásd **19. ábra**)
A beállítások fél fordulatonként növekednek.
Ha a szögek nem hatolnak elegendő mélyre, tekerje az állítótárcsát a mélyebb oldal felé. (Lásd **20. ábra**)
- ③ Ne forgassa tovább az állítótárcsát, ha elérte a megfelelő mélységet a próbabelövés során.
- ④ Helyezze be az akkumulátort a szögbelövbébe. **MINDIG VISELJEN VÉDŐSZEMÜVEGET.**
Végezzen el egy próbabelövést.
- ⑤ Vegye ki az akkumulátort a szögbelövből.
- ⑥ Válassza ki az állítótárcsa megfelelő pozícióját.

3. A horog használatá (lásd a 21., 22., 23. ábrát)

FIGYELEMZETÉS

A horog használatokor kapcsolja ki a főkapcsolót (zöld fény „K!”). Fordítson kellő figyelmet arra, hogy a fő berendezés ne essen le.

Ha a szerszám leesik, balesetveszély áll fenn.

A horog a bal vagy a jobb oldalra szerelhető fel. (NT1865DBAL kivételével)

- ① Vegye ki az akkumulátort, majd távolítsa el az összes fennmaradó szöget a tárból.
- ② Tartsa biztonságosan a fő egységet, és csavarhúzó segítségével távolítsa el a csavart. (Lásd **21. ábra**)
- ③ Távolítsa el a horgot és a horgolemezt. (Lásd **22. ábra**)
- ④ Szerelje fel a horgot a másik oldalra, és biztonságosan rögzítse csavarral. (Lásd **23. ábra**)

MEGJEGYZÉS

A horog akasztóként használható.

4. Orrfedél használata (lásd a 24., 25. ábrát)

FIGYELEMZETÉS

Az orrfedél csatlakoztatásakor és leválasztásakor győződjön meg róla, hogy levette az ujját az indítógombról és eltávolította a maradék kapcsolatot és az akkumulátort a szögbelövből.

Amennyiben meg kívánja védeni a munkadarab felületét a tolókar által okozott karcolásoktól vagy jelölésektől, csatlakoztassa a tartozék orrfedelet a tolókarhoz.

- ① Távolítsa el az összes maradék kapcsolatot és az akkumulátort a szögbelövből.
- ② Helyezze az orrfedelet a tolókar tetejére.
- ③ Az orrfedél meg van jelölve a szög kimeneti pontjának jelzéséhez, így megkönnyíti a beigazítást.
- ④ Ha nem használja az orrfedelet, rögzítse a tár hátsó oldalán található tároló rekeszben.

MEGJEGYZÉS

Az orrfedél vastagsága miatt csökkentheti a szögbelövés mélységét. A szögbelövés mélységét újra be kell állítani.

5. Elakadás megszüntetése

Ha a szögek el akadtak a tűzelőfejen, vegye ki azt, és állítsa be a szögbelövést az alábbi sorrendben.

FIGYELEM

Vegye ki az akkumulátort a szögbelövből.

- ① Vegye ki az akkumulátort a szögbelövből.
- ② Távolítsa el az összes szöget.
- ③ Engedje fel a zárókart, és nyissa fel a terelőlapot. (Lásd **26. ábra**)
- ④ Vegye ki az elakadt szöget egy laposfejú csavarhúzó segítségével. (Lásd **27. ábra**)

FIGYELEM

- SOHA ne üsse meg a meghajtó lemezt.
 - SOHA ne irányítsa a szerszámot önmagára vagy más személyre a véletlen belövés által okozott sérülések elkerülése érdekében.
- Még az akkumulátor eltávolítása után is marad sűrített levegős energia a szerszám belsejében.

- ⑤ Zárja be a terelőlapot és a reteszt.

MEGJEGYZÉS

Gyakori elakadás esetén vegye fel a kapcsolatot egy hivatalos HIKOKI szervizközponttal.

KARBANTARTÁS ÉS ELLENŐRZÉS

FIGYELEM

Győződjön meg róla, hogy a karbantartás és az ellenőrzés előtt az összes maradék kapcsolatot és az akkumulátort is eltávolította a szögbelövből.

1. A tár ellenőrzése

- ① Távolítsa el az akkumulátort a szögbelövből.
- ② Tisztítsa meg a tárat. Távolítsa el a port és a faforgácsokat, amelyek felhalmozódhattak a tárbán.

FIGYELEM

Ujjával húzva ellenőrizze, hogy a szögadagoló zökkenőmentesen csúszik-e.

Ha nem, a szögek belövése nem megfelelő szögben történhet és valaki megsérülhet.

2. A rögzítőcsavarok ellenőrzése

Rendszeresen ellenőrizze a rögzítőcsavarokat, és győződjön meg róla, hogy megfelelően feszesek-e. Ha bármelyik csavar laza, azonnal húzza meg. Ennek elmulasztása komoly veszélyt jelenthet.

3. A motor karbantartása

A motor tekerse az egész szerszámgép „szíve”. Legyen óvatos, hogy a tekerés ne sérüljön meg és/vagy ne kerüljön rá víz vagy olaj.

4. A terminálok (szerszám és akkumulátor) ellenőrzése

Győződjön meg arról, hogy nincs felhalmozódva fémforgács és por az érintkezőkön.
Alkalmanként ellenőrizze a működést megelőzően, közben és után.

FIGYELEM

Távolítson el minden fémforgács darabot vagy port, amely a csatlakozáson felgyülemlt.
Ellenkező esetben a készülék meghibásodhat.

5. A készülék külső tisztítása

Ha a szerszámgép szennyeződött, törölje le puha, száraz ronggyal vagy benedvesített, szappanos ronggyal. Ne használjon klóros oldószereket, benzint vagy festékkihígítót, mivel ezek szétmarhatják a műanyagot.

6. Tárolás

A szerszámgépet olyan helyen tárolja, ahol a hőmérséklet alacsonyabb 40°C-nál, valamint tartsa távol gyermekektől.

MEGJEGYZÉS

Lítiumion akkumulátorok tárolása.

Tárolás előtt győződjön meg róla, hogy a lítiumion akkumulátor teljesen fel van töltve.

Ha hosszú időn át, (három, vagy több hónap) alacsony töltéssel tárolja az akkumulátorokat, akkor csökkenhet a teljesítményük, ezáltal jelentősen csökken a használati idejük, és alkalmatlanná válhatnak a töltés megtartására. Az akkumulátor jelentősen lecsökkent használati ideje azonban visszaállítható, ha kettő-öt alkalommal feltölti, majd lemeríti az akkumulátort.

Ha az akkumulátor rendkívül hamar lemerül a folyamatos töltés és használat ellenére, akkor tekintse használhatatlannak, és vegyen újat.

FIGYELEM

A kéziszerszámok üzemeltetése és karbantartása során be kell tartani az adott országban érvényes biztonsági előírásokat és szabványokat.

Magyar

Fontos megjegyzés a HiKOKI vezeték nélküli elektromos szerszámok akkumulátoraihoz

Minden esetben eredeti akkumulátort használjon. Ha nem általunk gyártott akkumulátort használ, vagy ha szétszereli és átalakítja az akkumulátort (mint pl. szétszerelés és cellák vagy más belső alkatrészek cseréje), nem garantálható a vezeték nélküli elektromos szerszámaink biztonsága és teljesítménye.

A megállapított rezgési összérték mérése egy szabványos teszteljárásnak megfelelően történt, és az érték két szerszám összehasonlítására is használható.

Ez az érték az expozíciós határértékek előzetes felmérésére is használható.

FIGYELMEZTETÉS

- A szerszám használatától függően a kibocsátott rezgés a szerszámgép tényleges használata során eltérhet a megadott összértéktől.
- Léptessen életbe a szerszámgép kezelőjét védő intézkedéseket a használat tényleges körülményei között becsült expozíció alapján (a használati ciklus minden elemét figyelembe véve, a bekapcsolt állapot mellett például azt az időt is, amikor a szerszám kikapcsolt állapotban van, vagy amikor üresjárásban működik).

MEGJEGYZÉS

A HiKOKI folyamatos kutatási és fejlesztési programja következtében az itt szereplő műszaki adatok előzetes bejelentés nélkül változhatnak.

GARANCIA

A HiKOKI Power Tools szerszámokra a törvény által előírt országos előírásoknak megfelelő garanciát vállalunk. A garancia nem vonatkozik a helytelen vagy nem rendeltetésszerű használatból, továbbá a normál mértékűnek számító elhasználódásból, kopásból származó meghibásodásokra, károokra. Reklamáció esetén kérjük, küldje el a – nem szétszerelt – szerszámot a kezelési útmutató végén található GARANCIA BIZONYLATTAL együtt a hivatalos HiKOKI szervizközpontba.

Zajinformáció

Zajra jellemző értékek az EN 60745 szerint:

- A tipikus A-súlyozott egyszeri eseményes hangteljesítmény szintje L_{WA} , 1s, d = 92 dB
- A tipikus A-súlyozott egyszeri emissziós hangnyomásszint a munkaállomáson L_{pA} , 1s, d = 81 dB
- Bizonytalanság KpA: 3 dB

Ezek az értékek a szerszámhoz kapcsolódó jellemző értékek, és nem a felhasználás helyén keletkező zajt. A használat helyén keletkező zajszint például függ a munkakörnyezettől, a munkadarabtól, a munkadarab alátámasztásától és a szögbelövési műveletek számától stb.

A munkahelyi körülményektől és a munkadarab alakjától függően szükség lehet egyéni zajcsillapító intézkedésekre, például a munkadarabok hangcsillapító támaszokon történő elhelyezésére, a munkadarab rezgésének megakadályozására rögzítéssel vagy letakarással stb.

Különleges esetekben hallásvédő eszközt kell viselni.

Rezgésinformáció

Az EN 60745 szerinti tipikus rezgésre jellemző értékek:
2,6 m/s²

Bizonytalanság K: 1,5 m/s²

Ez az érték szerszámhoz kapcsolódó jellemző érték, és nem mutatja a kéz-kar rendszerre gyakorolt hatást a szerszám használata során. A szerszám használata közbeni kéz-kar rendszerre gyakorolt hatás függ például a fogóerő mértékétől, az érintkezési nyomóerőtől, a munka irányától, az energiaellátás beállításától, a munkadarabtól, valamint a munkadarab alátámasztásától.

Karbantartási táblázat

TEVÉKENYSÉG	MIÉRT	HOGYAN
A tár és az adagolómechanika megtisztítása.	Elakadás megakadályozása.	Naponta fújja tisztára.
Működtesse megfelelően a tolókart.	A kezelő biztonságának előmozdítása és hatékony szögbelövés.	Naponta fújja tisztára.

HIBAELHÁRÍTÁS

Amennyiben a gép nem működik megfelelően, a lenti táblázat segítségével vizsgálja meg a gépet. Amennyiben ez nem oldja meg a problémát, lépjen kapcsolatba a forgalmazóval vagy a HiKOKI Szervizközpontjához.

PROBLÉMA	ELLENŐRZÉS MÓDJÁ	JAVÍTÁS
A főkapcsoló nem kapcsol be. Egyszer bekapcsol, de automatikusan kikapcsol.	Az akkumulátor töltöttségi szintje alacsony.	Töltse fel az akkumulátort.
	Sérült belső elektronika.	A cseréjéhez vegye fel a kapcsolatot a HiKOKI-val.
	A tolókar és/vagy az indítógomb BE állásban van?	Tartsa a tolókart és az indítógombot KI állapotban.
	Ne folytassa a működtetést 30 percnél tovább? (Automatikus kikapcsolás funkció)	Nyomja meg és tartsa lenyomva a főkapcsolót több mint 1 másodpercig a „BE” kapcsoláshoz
A szögbelövő nem működik (Főkapcsoló BE).	A szögbelövőt nem nyomja eléggé a munkadarabra.	Tartsa szorosan a szögbelövőt és nyomja teljesen a munkadarabhoz.
	Nem húzta meg eléggé az indítógombot.	Erősen húzza meg az indítógombot.
	Több mint 2 másodperc telik el a tolókar BE kapcsolásától az indítógomb BE kapcsolásáig (vagy az indítógomb BE kapcsolásától a tolókar BE kapcsolásáig).	Győződjön meg róla, hogy kevesebb, mint 2 másodperc telik el a tolókar BE kapcsolásától az indítógomb BE kapcsolásáig (vagy az indítógomb BE kapcsolásától a tolókar BE kapcsolásáig).
	A megelőző mechanizmus aktív. (Nincsenek szögek vagy túl kevés kapocs maradt) (NT1850DBSL kivételével)	Töltsön be szögeket a tárbá.
	A kapcsoló zárókar (Indítógomb funkciója) „BE” állásban van.	Állítsa a zárókart „KI” állásba. (Lásd a 8. ábrát)
	A gép túl hideg (-5°C alatt) vagy túl meleg. (A LED lámpa rendszeres időközönként villog és a főkapcsoló 10 másodperc után kikapcsol.) (Lásd a 240. oldalt)	Hagyja a szögbelövőt teljesen kihűlni vagy felmelegedni a megfelelő körülmények között.
	Sérült belső elektronika.	A cseréjéhez vegye fel a kapcsolatot a HiKOKI-val.
A szögbelövő működik, de nem lő be szöget.	A tár koszos.	Fújja ki és tisztítsa meg a tárat.
	Ellenőrizze, hogy nincs-e elakadás.	Elakadás megszüntetése (lásd a 26., 27. ábrát).
	A meghajtó lemez kopott vagy sérült?	A cseréjéhez vegye fel a kapcsolatot a HiKOKI-val.
	A szalagrugó gyenge vagy sérült?	Cserélje ki a szalagrugót.
	Szögadagoló sérült?	Cserélje ki a szögadagolót.
	Ellenőrizze, hogy megfelelőek-e a szögek.	Csak ajánlott szögeket használjon.
Gyenge meghajtóerő. Lassú a ciklus.	Ellenőrizze a szögbelövérs mélységállító állítótárcsájának pozícióját.	Állítsa be újra a 19., 20. ábra szerint.
	A meghajtó lemez kopott?	A cseréjéhez vegye fel a kapcsolatot a HiKOKI-val.
	A sűrített levegő nyomása lecsökkent.	A cseréjéhez vegye fel a kapcsolatot a HiKOKI-val.
	Sérült belső elektronika.	A cseréjéhez vegye fel a kapcsolatot a HiKOKI-val.
Túl mélyre lő be.	Ellenőrizze a szögbelövérs mélységállító állítótárcsájának pozícióját.	Állítsa be újra a 19., 20. ábra szerint.
Szögek kihagyása. Szakaszos adagolás.	Ellenőrizze, hogy megfelelőek-e a szögek.	Csak ajánlott szögeket használjon.
	Szögadagoló sérült?	Cserélje ki a szögadagolót.
	A szalagrugó gyenge vagy sérült?	Cserélje ki a szalagrugót.
	A meghajtó lemez kopott vagy sérült?	A cseréjéhez vegye fel a kapcsolatot a HiKOKI-val.
Szög elakadása. A belőtt szög elhajtolt.	Ellenőrizze, hogy megfelelőek-e a szögek.	Csak ajánlott szögeket használjon.
	A meghajtó lemez kopott vagy sérült?	A cseréjéhez vegye fel a kapcsolatot a HiKOKI-val.

OBECA BEZPEČNOSTNÍ VAROVÁNÍ TÝKAJÍCÍ SE BEZPEČNOSTI ELEKTRICKÉHO NÁŘADÍ

⚠ VAROVÁNÍ

Přečtěte si všechna varování týkající se bezpečnosti a všechny pokyny.

Nedodržení veškerých následujících varování a pokynů může vést k úrazu elektrickým proudem, ke vzniku požáru úrazu nebo vážnému zranění.

Všechna varování a pokyny uschovejte pro budoucí použití.

Výrazem „elektrické nářadí“ ve všech dále uvedených varováních je myšleno jak elektrické nářadí napájené ze sítě (se šňůrou), tak i nářadí napájené z akumulátoru (bez šňůry).

1) Bezpečnost na pracovišti

- Udržujte vaše pracoviště v čistotě a dobře osvětlené.**
Nepořádek a tmavá místa na pracovišti bývají příčinou nehod.
- Nepoužívejte elektrické nářadí v prostředí s nebezpečím výbuchu, kde se vyskytují hořlavé kapaliny, plyny nebo prach.**
V elektrickém nářadí vznikají jiskry, které mohou zapálit prach nebo výpary.
- Při používání elektrického nářadí zamezte přístupů dětí a dalších osob.**
Budete-li vyrušováni, můžete ztratit kontrolu nad prováděnou činností.

2) Elektrická bezpečnost

- Zástrčka pohyblivého přívodu elektrického nářadí musí odpovídat síťové zásuvce.**
Nikdy se nepokoušejte zástrčku jakkoli upravovat.
S uzemněným elektrickým nářadím nikdy nepoužívejte žádné zásuvkové adaptéry. Zástrčky, které nejsou znehodnoceny úpravami, a odpovídající zásuvky sniží nebezpečí úrazu elektrickým proudem.
- Zabraňte kontaktu těla s uzemněnými povrchy, jako jsou trubky, radiátory, sporáky a lednice.**
Nebezpečí úrazu elektrickým proudem je větší, je-li vaše tělo uzemněno.
- Nevystavujte elektrické nářadí dešti, vlhku nebo mokru.**
Voda, která vnikne do elektrického nářadí, zvýší nebezpečí úrazu elektrickým proudem.
- Zacházejte správně s napájecí šňůrou. Nikdy nenoste a netahajte elektrické nářadí za šňůru ani nevtrhávejte zástrčku ze zásuvky tahem za šňůru.**
Chraňte napájecí šňůru před horkem, mastnotou, ostrými hranami a pohybujícími se částmi. Poškozené nebo zamotané šňůry zvyšují nebezpečí úrazu elektrickým proudem.
- Je-li elektrické nářadí používáno venku, používejte prodlužovací přívod vhodný pro venkovní použití.**
Používání prodlužovacího přívodu pro venkovní použití snižuje nebezpečí úrazu elektrickým proudem.
- Pokud je použití elektrického nářadí na vlhkém místě nevyhnutelné, použijte napájení s ochranným zařízením na zbytkový proud.**
Použití zařízení na zbytkový proud snižuje riziko elektrického šoku.

3) Osobní bezpečnost

- Při používání elektrického nářadí buďte pozorní, věnujte pozornost tomu, co právě děláte, soustředte se a střizlivě uvažujte.**
Elektrické nářadí nepoužívejte, jste-li unaveni nebo pod vlivem drog, alkoholu nebo léků.
Chvilková nepozornost při používání elektrického nářadí může způsobit vážné zranění.
- Používejte osobní ochranné prostředky. Vždy používejte ochranu očí.**
Osobní ochranné prostředky jako respirátor, bezpečnostní obuv s protiskluzovou podrážkou, ochranná přilba nebo ochrana sluchu používané v příslušných podmínkách snižují možnost zranění.
- Zabraňte neúmyslnému spuštění. Před připojením ke zdroji napájení nebo akumulátorovému zdroji či před zvedáním nebo přenášením elektrického nářadí se ujistěte, že je spínač v poloze „vypnuto“.**
Přenášení elektrického nářadí s prstem na spínači nebo zapojování zástrčky se zapnutým spínačem může být příčinou úrazu.
- Před zapnutím elektrického nářadí odstraňte všechny seřizovací nástroje nebo klíče.**
Seřizovací nástroj nebo klíč, který ponecháte připravený k rotující části elektrického nářadí, může způsobit zranění.
- Pracujte jen tam, kam bezpečně dosáhnete. Vždy si udržujte stabilní postoj a rovnováhu.**
Budete tak lépe ovládat elektrické nářadí v nepředvídaných situacích.
- Oblékejte se vhodným způsobem. Nenoste volné oděvy ani šperky. Vlasy, oděv a rukavice udržujte v dostatečné vzdálenosti od pohybujících se částí. Volné oděvy, šperky nebo dlouhé vlasy mohou být vtaheny do pohybujících se částí.**
- Pokud jsou k dispozici prostředky pro připojení zařízení k odsávání a sběru prachu, zajistěte, aby byla připojena a správně používána.**
Použitím zařízení ke sběru prachu lze omezit nebezpečí způsobená vznikajícím prachem.

4) Používání elektrického nářadí a péče o něj

- Nepřetěžujte elektrické nářadí. Používejte vždy správné elektrické nářadí, které je určeno pro prováděnou práci.**
Správné elektrické nářadí bude lépe a bezpečněji vykonávat práci, pro kterou bylo konstruováno.
- Nepoužívejte elektrické nářadí, které nelze zapnout a vypnout spínačem.**
Jakékoli elektrické nářadí, které nelze ovládat spínačem, je nebezpečné a musí být opraveno.
- Před jakýmkoli seřizováním, před výměnou příslušenství nebo uskladněním elektrického nářadí vždy nejprve odpojte zástrčku ze zdroje napájení nebo odpojte akumulátorový zdroj.**
Tato preventivní bezpečnostní opatření snižují nebezpečí neúmyslného spuštění elektrického nářadí.
- Nepoužívané elektrické nářadí skladujte mimo dosah dětí a nedovolte osobám, které nebyly seznámeny s nářadím nebo s těmito pokyny, aby nářadí používaly.**
Elektrické nářadí je v rukou nevyškolených uživatelů nebezpečné.
- Udržujte elektrické nářadí. Kontrolujte seřízení pohybujících se částí a jejich pohyblivost, soustředte se na praskliny, zlomené součásti a jakékoli další okolnosti, které mohou ohrozit funkci elektrického nářadí.**
Je-li nářadí poškozeno, před dalším používáním zajistěte jeho opravu. Mnoho nehod vzniká v důsledku nedostatečně udržovaným elektrickým nářadím.

- f) **Udržujte řezací nástroje ostré a čisté.**
Správně udržované a naostřené řezací nástroje se s menší pravděpodobností zachytí za materiál nebo se zablokují a práce s nimi se snáze kontroluje.
- g) **Elektrické nářadí, příslušenství, vsazené části atd. používejte v souladu s těmito pokyny a takovým způsobem, jaký byl předepsán pro konkrétní elektrické nářadí, a to s ohledem na dané pracovní podmínky a druh prováděné práce.**
Používání elektrického nářadí k provádění jiných činností, než pro jaké bylo určeno, může vést k nebezpečným situacím.

- 5) **Použití nářadí na baterie a péče o ně**
- a) **Dobíjejte pouze nabíječkou specifikovanou výrobcem.**
Nabíječka, která je vhodná pro jeden typ akumulátorového zdroje, může v případě použití s jiným akumulátorovým zdrojem způsobit nebezpečí požáru.
- b) **Elektrické nářadí používejte výhradně se specifikovanými akumulátorovými zdroji.**
Použitím jakéhokoli jiného akumulátorového zdroje může vzniknout nebezpečí zranění a požáru.
- c) **Pokud akumulátorové zdroje nepoužíváte, udržujte je mimo ostatní kovové předměty, jako jsou kancelářské sponky, mince, klíče, hřebíky, šroubky či jiné drobné kovové předměty, které mohou způsobit přemostění kontaktu.**
Vzájemné zkratování pólů akumulátoru může způsobit popálení nebo požár.
- d) **Při nevhodném zacházení může z akumulátoru vytékat kapalina; zabraňte kontaktu s ní. V případě náhodného kontaktu místo opláchněte vodou. Pokud kapalina vnikne do očí, vyhledejte lékařskou pomoc.**
Kapalina vytékající z akumulátoru může způsobit podráždění nebo popálení.
- 6) **Servis**
- a) **Opravy vašeho elektrického nářadí svěřte kvalifikované osobě, která bude používat identické náhradní díly.**
Tímto způsobem bude zajištěna stejnároveň bezpečnosti elektrického nářadí jako před opravou.

PREVENTIVNÍ OPATŘENÍ

Nedovolte přístup dětem a nemohoucím osobám.
Pokud nářadí nepoužíváte, měli byste je skladovat mimo dosah dětí a nemohoucích osob.


BEZPEČNOSTNÍ UPOZORNĚNÍ OHLEDNĚ AKKU DOKONČOVACÍ HŘEBÍKOVACÍ/HŘEBÍKOVACÍ PRO HŘEBÍKY BEZ HLAVIČKY

- Vždy předpokládejte, že nářadí obsahuje sponky.**
Neopatrné zacházení s hřebíkovou sbíječkou může způsobit neočekávané vystřelení sponek a následné zranění.
- Neotáčejte nářadí směrem k sobě nebo komukoli v okolí.**
Neočekávaným spuštěním nářadí dojde k vystřelení sponky a následnému zranění.
- Nářadí neaktivujte, dokud není bezpečně položeno na spojovanou součást.**
Pokud není nářadí v kontaktu se spojovanou součástí, může dojít k vychýlení sponky mimo cíl.
- Dojde-li k zablokování sponky v nářadí, odpojte nářadí od zdroje energie.**

Při odstraňování zablokované sponky se může hřebíková sbíječka v případě jejího připojení ke zdroji energie náhodně aktivovat.

- Buďte opatrní při odstraňování zablokované sponky.**
Systém může být pod tlakem a při pokusu o uvolnění sponky může dojít k jejímu vystřelení.
- Nepoužívejte tuto hřebíkovou sbíječku k upevnění elektrických kabelů.**
Toto nářadí není určeno k instalaci elektrických kabelů a může poškodit izolaci elektrických kabelů a následně způsobit úraz elektrickým proudem nebo riziko požáru.

DALŠÍ BEZPEČNOSTNÍ VAROVÁNÍ

- Bezpečný provoz zaručíte správným používáním nářadí.**
Toto nářadí je konstruováno pro zarážení hřebíků do dřeva a podobných materiálů. Používejte jej pouze k určenému účelu.
- Dávejte pozor na vznícení a výbuchy.**
Vzhledem k tomu, že při zarážení hřebíků mohou odletovat jiskry, je nebezpečné používat nářadí v blízkosti laků, barev, benzenu, ředidel, benzínu, plynů, lepidel a podobných hořlavých látek, neboť může dojít k jejich vznícení nebo výbuchu. V blízkosti takovýchto hořlavých materiálů by se toto nářadí v žádném případě nemělo používat.
- Vždy používejte ochranu očí (ochranné brýle).**
 Při práci s elektrickým nářadím vždy noste ochranu očí a zajistěte, aby okolní lidé rovněž nosili ochranu očí.
Možnost vniknutí úlomků nesprávně trefených hřebíků do očí představuje nebezpečí pro zrak. Ochranu očí lze zakoupit v libovolném obchodě s nářadím. Při práci s tímto nářadím vždy noste ochranu očí. Používejte ochranné brýle nebo širokouhlou masku nasazenou přes dioptrické brýle.
Zaměstnavatelé by měli vždy dbát na používání výrobků pro ochranu očí.
- Chraňte rovněž své uši a hlavu.**
Při práci na zarážení hřebíků používejte chrániče uší a ochranu hlavy. Také podle podmínek zajistěte, aby okolní lidé nosili ochranu uší a ochranu hlavy.
- Věnujte pozornost těm, kteří pracují blízko vás.**
Bylo by velmi nebezpečné, kdyby nesprávně zasazené hřebíky zasáhly jiné lidi. Proto při používání tohoto nářadí vždy věnujte pozornost bezpečnosti lidí kolem vás. Vždy se ujistěte, že se v blízkosti výstupu hřebíků nenachází tělo, ruce ani nohy nějaké osoby.
- Nikdy neotáčejte výstup hřebíků směrem k jiným osobám.**



Vždy předpokládejte, že nářadí obsahuje hřebíky.

Pokud je výstup hřebíků namířen směrem k libovolným osobám, může při náhodném spuštění nářadí dojít k vážným nehodám. Při připojování a odpojování akumulátoru, při zakládání hřebíků a podobných operacích dávejte pozor, aby nebyl výstup hřebíků namířen na žádnou osobu (včetně vás). I když nejsou v nářadí vloženy žádné hřebíky, je stále nebezpečné spustit nářadí namířené na nějakou osobu, proto to nikdy nezkoušejte. Nezkoušejte žádné dětské hříčky. Respektujte nářadí jako pracovní nástroj.

- Před použitím zkontrolujte tlačnou páčku.**
Ujistěte se, že tlačná páčka funguje správně. (Tlačná páčka může být nazývána „Bezpečnostní“.) Nikdy nepoužívejte hřebíkovou sbíječku, pokud tlačná páčka nepracuje správně, jinak by mohlo dojít k neočekávanému vystřelení sponky hřebíkovou sbíječkou. Nemanipulujte s tlačnou páčkou ani ji nevyvíjejte, jinak přestane správně pracovat.

Čeština

8. Volba metody spuštění je důležitá.

Přečtěte si a pochopte kapitoly nazvané „JAK POUŽÍVAT HŘEBÍKOVOU SBÍJEČKU“ na stránce 257.

9. Před použitím tohoto výrobku se ujistěte, že toto nářadí funguje správně a je v souladu s obsahem kapitoly „Testování hřebíkové sbíječky“ na stránce 256.

10. Používejte pouze specifikované hřebíky.

Nikdy nepoužívejte jiné hřebíky než specifikované a popsané v tomto návodu.

11. Při připojování akumulátoru buďte opatrní.

Při připojování akumulátoru a zakládání hřebíků věnujte pozornost následujícímu, abyste zamezili nechtěnému spuštění nářadí.

- Nedotýkejte se spouště.
- Zabraňte kontaktu zárazecí hlavice s jinou plochou.
- Zárazecí hlavici držte směrem dolů.

Striktně dodržujte výše uvedené pokyny a vždy se ujistěte, že žádná část těla, rukou ani nohou není nikdy před výstupem hřebíků.

12. Nepokládejte bezstarostně prst na spoušť.

Nepokládejte prst na spoušť v jiných situacích, než kdy skutečně zarážíte hřebíky. Pokud přenášíte toto nářadí nebo jej předáváte někomu jinému v okamžiku, kdy máte prst na spoušti, můžete náhodně vystřelit hřebík a způsobit nehodu.

13. Výstup hřebíků přitiskněte pevně ke spojovanému materiálu.

Při zarážení hřebíků přitiskněte pevně výstup hřebíků ke spojovanému materiálu. Pokud není výstup hřebíků správně nastaven, mohou se hřebíky odrazit zpět.

14. Při použití nářadí udržujte ruce a nohy mimo zárazecí hlavici.



Náhodné zasažení ruky nebo nohy hřebíkem je velmi nebezpečné.

15. Dávejte pozor na zpětný ráz nářadí.

Nepřiblížte se hlavou k horní části nářadí za provozu. To je nebezpečné, protože nářadí se může prudce odrazit v případě, že dojde ke kontaktu nového hřebíku s dřívě zaraženým hřebíkem nebo sukem ve dřevě.

16. Dávejte pozor na zdvojené nastřelení hřebíku v důsledku zpětného rázu.

Pokud neúmyslně dojde k opětovnému kontaktu tlačné páčky se spojovanou součástí následkem zpětného rázu, dojde k nechtěnému vystřelení hřebíku.

Aby se předešlo tomuto nežádoucímu zdvojenému nastřelení hřebíku,

- Přerušovaný provoz (nastřelování pomocí spouště)
 - 1) Nastavte spínací zařízení na PLNĚ SEKVENČNÍ MECHANISMUS SPOUŠTĚNÍ.
 - 2) Zmáčkněte spoušť rychle a pevně.
- Nepřetržitý provoz (nastřelování pomocí tlačné páčky)
 - 1) Netlačte hřebíkovou sbíječkou proti dřevu přílišnou silou.
 - 2) Hřebíkovou sbíječku oddalte od dřeva, protože po zaražení hřebíku dochází ke zpětnému rázu.

17. Při zarážení hřebíků do tenkých desek nebo okrajů dřeva buďte opatrní.

Při zarážení hřebíků do tenkých desek mohou hřebíky projít celé skrz, k čemuž může dojít rovněž při zarážení hřebíků do okrajů dřevěných součástí v důsledku vychýlení hřebíku. V takových případech se vždy ujistěte, že za tenkou deskou nebo vedle dřeva, do kterých budete zarážet hřebíky, se nenachází žádná osoba (ani níčí ruka nebo noha atd.).

18. Současné zarážení hřebíků z obou stran stejné stěny je nebezpečné.

Zarážení hřebíků na obou stranách stěny současně by se nemělo provádět za žádných okolností. Je to velmi nebezpečné, protože hřebíky mohou projít skrz stěnu a způsobit zranění.

19. Nepoužívejte elektrické nářadí na lešení, žebřících.

Elektrické nářadí nesmí být používáno například v konkrétních případech:

- při přemísťování z jednoho pracoviště na jiné za použití lešení, schodů, žebřníků nebo podobných konstrukcí, např. střešních latí,
- při uzavírání krabic nebo beden,
- při montáži zabezpečení dopravních systémů např. na vozidlech a vagónech

20. Vyměňte z hřebíkové sbíječky všechny zbývající hřebíky a akumulátor, pokud:

- 1) provádíte údržbu a kontrolu;
- 2) kontrolujete správnou funkci tlačné páčky a spouště;
- 3) připevňujete nebo snímáte kryt špičky;
- 4) odstraňujete zablokovaný hřebík;
- 5) nářadí nepoužíváte;
- 6) opouštíte pracoviště;
- 7) přemísťujete se na jiné místo; a
- 8) předáváte nářadí jiné osobě.

Nikdy se nepokoušejte odstranit zablokovaný hřebík nebo opravovat hřebíkovou sbíječku bez předchozího vyjmutí akumulátoru a zbývajících hřebíků z hřebíkové sbíječky.

Hřebíkovou sbíječku byste nikdy neměli nechávat bez dozoru, protože by s ní mohli manipulovat lidé bez znalosti hřebíkové sbíječky a způsobit si zranění.

21. Vyměňte baterii z hřebíkové sbíječky, pokud:

- 1) zakládáte hřebíky;
- 2) otáčíte seřizovačem.

22. Odpojte baterii.

Při nasazování a snímání krytu špičky odpojte baterii.

Při nasazování přídatného krytu špičky na tlačnou páčku a při jeho snímání se ujistěte, že jste předem odpojili baterii. Náhodné nastřelení hřebíku je velmi nebezpečné.

23. Provozní podmínky pro toto zařízení jsou stanoveny na 0°C až 40°C, proto zajistěte jeho použití v tomto teplotním rozsahu. Zařízení může přestat pracovat při teplotách pod 0°C nebo nad 40°C.

24. Baterii vždy nabíjete při okolní teplotě 0–40°C.

Teplota okolí nižší než 0°C bude mít za následek přebíjení, což je nebezpečné. Akumulátor nelze nabíjet při teplotě přesahující 40°C.

Optimální teplota pro nabíjení se pohybuje v rozsahu 20–25°C.

25. Nabíječku nepoužívejte nepřetržitě.

Jakmile dokončíte nabíjení, nabíječku nechte před dalším nabíjením odpočinout po dobu 15 minut.

26. Nedovoďte, aby se do otvoru pro připojení akumulátoru dostaly cizí předměty nebo materiál.

27. Nikdy nerozebírejte dobíjecí akumulátor nebo nabíječku.

28. Nikdy nezkratujte dobíjecí akumulátor.

Zkrat akumulátoru způsobí prudký nárůst elektrického proudu a přehřátí. To vede ke spálení nebo poškození akumulátoru.

29. Nevhazujte akumulátor do ohně.

Akumulátor může v takovém případě explodovat.

30. Použitím vyčerpaného akumulátoru můžete poškodit nabíječku.

31. Jakmile akumulátor dosáhne konce životnosti a není možné jej již více používat, odevzdejte jej do prodejny, ve které jste jej zakoupili.

Nevyhazujte vybité akumulátory.

32. Do větracích otvorů v nabíječce nevkládejte žádné předměty.

Kovové předměty nebo hořlavý materiál vložený do větracích otvorů nabíječky představuje nebezpečí úrazu elektrickým proudem a vyústí v poškození nabíječky.

33. NIKDY nedovoďte, aby se v blízkosti hřebíkové sbíječky nacházely magnety (nebo podobná magnetická zařízení), protože hřebíková sbíječka obsahuje uvnitř magnetické čidlo.

Pokud tak učiníte, riskujete poruchu nářadí nebo zranění v důsledku poruchy nářadí.

34. Po stálé práci nechte nářadí odpočinout.

35. Mechanický nástroj je vybaven tepelnou ochranou okruhu z důvodu ochrany motoru.

Nepřetržitý provoz může způsobit vzestup teploty jednotky, čímž se zaktivuje tepelná ochrana okruhu a provoz se automaticky zastaví. Pokud k tomu dojde, nechte mechanický nástroj před jeho opětovným použitím vychladnout.

36. Výrobek může přestat pracovat v případě detekce abnormálního stavu. V takových případech zkontrolujte položky uvedené v části „ODSTRANOVÁNÍ PORUCH“ na stránce 261.

37. Chraňte panel přepínače před silnými otřesy či rozbitím. Mohlo by dojít k potíží.

38. Výrobek nepoužívejte, pokud jsou svorky nářadí nebo akumulátoru (upevnění akumulátoru) jakkoli zkřiveny.

Osazením akumulátoru by mohlo dojít ke zkratu a v jeho důsledku ke vznícení nebo k tvorbě kouře.

39. Dbejte na to, aby se na svorkách nářadí (upevnění akumulátoru) nevyskytovaly kovové částičky a prach.

○ Před použitím si ověřte, že se v prostoru svorek nenahromadily kovové částičky a prach.

○ Při používání se snažte zabránit tomu, aby kovové částičky nebo prach z nářadí pronikly na akumulátor.

○ Při pozastavení provozu nebo po použití nenechávejte nářadí v místech, kde by mohlo být vystaveno ze vzduchu se snázejícím kovovým částičkám nebo prachu.

V opačném případě by mohlo dojít ke zkratu a v jeho důsledku ke vznícení nebo k tvorbě kouře.

UPOZORNĚNÍ K PRO LITHIUM-IONTOVÉ AKUMULÁTORY

Z důvodu prodloužení životnosti je lithium-iontový akumulátor vybaven ochrannou funkcí zastavení výkonu.

V případech 1 až 3 popsaných níže se může motor během používání tohoto výrobku zastavit, přestože držíte spínač. Nejedná se o závadu, ale o výsledek ochranné funkce.

1. Jakmile dojde k vybití výbavující kapacity akumulátoru, motor se zastaví.

V takovém případě akumulátor okamžitě dobijte.

2. Pokud je nářadí přetíženo, motor se může zastavit. V takovém případě uvolněte spínač nářadí a odstraňte příčinu přetížení. Potom můžete nářadí znovu používat.

3. Je-li akumulátor přehřátý a přetížený, může se pohon akumulátoru zastavit.

V takovém případě přestaňte akumulátor používat a nechte jej vychladnout. Potom můžete nářadí znovu používat.

Dále prosím dbejte následujících varování a upozornění.

VAROVÁNÍ

Abyste předešli případnému úniku kapaliny z akumulátoru, vzniku tepla, emisím kouře, výbuchu a vznícení, dbejte následujících pokynů.

1. Ujistěte se, že se na akumulátoru neusazují piliny a prach.

○ Během práce kontrolujte, že na akumulátor nepadají piliny a prach.

○ Ujistěte se, že se piliny a prach padající během práce na elektrické nářadí neusazují na akumulátoru.

○ Akumulátor, který nepoužíváte, neskladujte na místě vystaveném pilinám a prachu.

○ Před uskladněním akumulátoru odstraňte veškeré piliny a prach, který na něm může být usazen, a neskladujte ho společně s kovovými předměty (šroubky, hřebíky atd.).

2. Neprobíkejte akumulátor ostrým předmětem, například hřebíkem, nebochejte do něj kladivem, nestoupejte na něj, neházejte jím ani jej nevystavujte silným otřesům.

3. Nepoužívejte viditelně poškozený či deformovaný akumulátor.

4. Nepoužívejte akumulátor obrácenou polaritou.

5. Nepřipojujte jej přímo k elektrické zástrčce ani k zásuvce cigaretového zapalovače v automobilu.

6. Nepoužívejte akumulátor k jinému než určenému účelu.

7. Pokud se nabíjení akumulátoru nedokončí, i když uvedená doba nabíjení uplynula, ihned zastavte další nabíjení.

8. Nevystavujte akumulátor působení vysokých teplot nebo vysokého tlaku, neumísťujte jej například do mikrovlnné trouby, sušičky nebo vysokotlakého zásobníku.

9. V případě zjištění úniku nebo zápachu okamžitě zajistěte bezpečnou vzdálenost od ohně.

10. Nepoužívejte na místech se silnou statickou elektřinou.

11. V případě úniku kapaliny, zápachu, vznikajícího tepla, ztráty barvy, deformace nebo v případě jakékoli abnormality během používání, nabíjení nebo skladování okamžitě vyjměte akumulátor z přístroje či nabíječky a přestaňte jej používat.

12. Akumulátor nepotápějte ani nenechte vniknout dovnitř žádné tekutiny. Vniknutí vodivých kapalin, jako je voda, může způsobit poškození s následkem požáru nebo výbuchu. Akumulátor skladujte na chladném, suchém místě, stranou od vznětlivých a hořlavých předmětů. Je nutné se vyvarovat prostředí s žiravým plynem.

UPOZORNĚNÍ

1. Pokud se kapalina unikající z akumulátoru dostane do očí, netřete si je, dobře je vymyjte čistou vodou, například vodou z vodovodu, a ihned vyhledejte lékaře. Bez lékařského ošetření může kapalina způsobit problémy se zrakem.

2. Pokud se kapalina dostane do kontaktu s pokožkou či oděvem, ihned zasažená místa omyjte čistou vodou, například vodou z vodovodu.

Kapalina může způsobit podráždění kůže.

3. Zjistěte-li při prvním použití, že na akumulátoru je rez, vzniká zápach, přehřátí, ztráta barvy, vidíte deformaci anebo jinou abnormalitu, nepoužívejte jej a vraťte jej dodavateli či prodejci.

VAROVÁNÍ

Pokud se vodivé cizí těleso dostane do svorky lithium-iontového akumulátoru, akumulátor se může zkratovat a způsobit požár. Při skladování lithium-iontových akumulátorů se řiďte následujícími předpisy a řádně je dodržujte.

○ Neumísťujte vodivé úlomky, hřebíky a vodiče, například železné a měděné dráty do krabice určené pro skladování.

○ Za účelem zabránění zkratu vložte akumulátor do nářadí nebo jej bezpečně uložte do krytu pro akumulátor tak, aby byly skryty ventilační otvory.

TÝKAJÍCÍ SE PŘEPRAVY LITHIUM-IONTOVÝCH BATERÍ

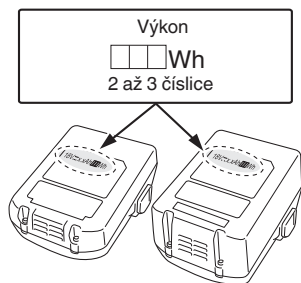
Při přepravě lithium-iontové baterie se řiďte následujícími opatřeními.

VAROVÁNÍ

Uvědomte přepravní společnost, že balení obsahuje lithium-iontovou baterii, informujte společnost o jejím výkonu a postupujte podle instrukcí přepravní společnosti při domlouvání přepravy.

○ Lithium-iontové baterie, jejichž výkon přesahuje 100 Wh, jsou považovány z hlediska přepravní klasifikace za nebezpečné zboží a budou vyžadovat zvláštní aplikační postupy.

○ Pro přepravu do zahraničí musíte postupovat v souladu s mezinárodním právem, předpisy a nařízeními cílové země.



SYMBOLY




VAROVÁNÍ

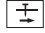



Následující text obsahuje symboly, které jsou použity na zařízení. Než začnete nářadí používat, ujistěte se, že rozumíte jejich významu.

	NT 1865DBAL: Akku dokončovací hřebíkovačka
	NT 1865DBSL: Akku dokončovací hřebíkovačka
	NT 1850DBSL: Akku hřebíkovačka pro hřebíky bez hlavičky
	Aby se snížilo riziko zranění, uživatel si musí přečíst návod k obsluze.
	Jen pro státy EU Elektrické nářadí nevyhazujte do komunálního odpadu! Podle evropské směrnice 2012/19/EU o nakládání s použitými elektrickými a elektronickými zařízeními a odpovídajících ustanovení právních předpisů jednotlivých zemí se použité elektrické nářadí musí sbírat odděleně od ostatního odpadu a podrobit ekologicky šetrnému recyklování.
	Stejnoseměrný proud
	ZAPNUTÍ
	VYPNUTÍ
	Odpojte baterii
	Vypínač napájení
	Spínač napájení VYPNUTÝ
	Spínač napájení ZAPNUTÝ Kontrolka napájení: Svítí zeleně
	Přepínač režimu nastřelování
	PLNĚ SEKVENČNÍ MECHANISMUS SPOUŠTĚNÍ
	Režim PLNĚ SEKVENČNÍHO MECHANISMU SPOUŠTĚNÍ Indikátor režimu nastřelování hřebíků: Svítí modře
	KONTAKTNÍ MECHANISMUS SPOUŠTĚNÍ
	Režim KONTAKTNÍHO MECHANISMU SPOUŠTĚNÍ Indikátor režimu nastřelování hřebíků: Bliká modře
	Spoušť zablokována
	Spoušť odblokována
	Spínač ukazatele baterie
	Zbývající úroveň nabití akumulátoru je dostatečná. Ukazatel baterie: 2 LED kontrolky (červeně) svítí

NÁZVY SOUČÁSTÍ (Obr. 1 – Obr. 28)

①	Horní kryt
②	Spoušť
③	LED světlo
④	Zarážecí hlavice (výstup hřebíků)
⑤	Tlačná páčka
⑥	Podavač hřebíků (A)
⑦	Podavač hřebíků (B)
⑧	Zásobník hřebíků
⑨	Hák
⑩	Baterie
⑪	Zamykací páka spínače
⑫	Držadlo
⑬	Blokovací páka
⑭	Spínač ukazatele baterie
⑮	Ukazatel baterie
⑯	Přepínač režimu nastřelování
⑰	Kontrolka napájení
⑱	Vypínač napájení
⑲	Indikátor režimu nastřelování hřebíků
⑳	Pás hřebíků
㉑	Kryt zásobníku
㉒	Hlavní drážka
㉓	Vodítko břitů
㉔	Seřizovač
㉕	Háková podkladnice
㉖	Kryt špičky tlačné páčky
㉗	Zajišťovací páka
㉘	Vodící deska

	Zbývá asi polovina kapacity akumulátoru. Ukazatel baterie: Svítí 1 LED kontrolka (červená)
	Akumulátor je téměř vybitý. Dobijte baterii co nejdříve. Ukazatel baterie: Bliká 1 LED kontrolka (červená)
	Obratě se na firmu HiKOKI s žádostí o kontrolu. Ukazatel baterie: 2 LED kontrolky blikají oranžově, po 10 sekundách se automaticky vypne spínač napájení.

	Mělká strana
	Hluboká strana
	Varování
	Zakázaná akce

SPECIFIKACE

1. Akku dokončovací hřebíkovačka

Model	NT1865DBAL		NT1865DBSL	
Motor	Bezkontaktní stejnosměrný motor		Bezkontaktní stejnosměrný motor	
Použitelné hřebíky	15 Ga (Úhel: 34°)		16 Ga	
Použitelná délka hřebíků	32 mm až 65 mm		25 mm až 65 mm	
Ložná kapacita hřebíků [hřebíky]	100 (1 pás)		100 (2 pásy)	
Režim nastřelování	Plně sekvenční/kontaktní (volitelné)		Plně sekvenční/kontaktní (volitelné)	
Rychlost cyklu [hřebíky/sekundu]	3 (přerušovaný provoz)		3 (přerušovaný provoz)	
Akumulátor	Model	BSL1830C	BSL1830C	BSL1850
	Typ	Lithium-iontový akumulátor		
	Napětí	Stejnoseměrný proud o 18 V		
Hmotnost*	3,5 – 4,1 kg		3,4 – 4,0 kg	
Rozměry Výška x Délka x Šířka	344 mm x 300 mm x 104 mm		315 mm x 298 mm x 104 mm	315 mm x 310 mm x 104 mm

* Podle metody EPTA 01/2014

Závisí na připojeném akumulátoru. Největší hmotnost byla naměřena s BSL36B18 (prodává se samostatně).

2. Akku hřebíkovačka pro hřebíky bez hlavičky

Model	NT1850DBSL		
Motor	Bezkontaktní stejnosměrný motor		
Použitelné hřebíky	18 Ga		
Použitelná délka hřebíků	16 mm až 50 mm		
Ložná kapacita hřebíků [hřebíky]	100 (1 pás)		
Režim nastřelování	Plně sekvenční/kontaktní (volitelné)		
Rychlost cyklu [hřebíky/sekundu]	3 (přerušovaný provoz)		
Akumulátor	Model	BSL1830C	BSL1850
	Typ	Lithium-iontový akumulátor	
	Napětí	Stejnoseměrný proud o 18 V	
Hmotnost*	3,3 – 4,0 kg		
Rozměry Výška x Délka x Šířka	323 mm x 298 mm x 104 mm	323 mm x 310 mm x 104 mm	

* Podle metody EPTA 01/2014

Závisí na připojeném akumulátoru. Největší hmotnost byla naměřena s BSL36B18 (prodává se samostatně).

3. Nabíječka akumulátoru

Model	UC18YFSL	UC18YML2
Nabíjecí napětí	Stejnoseměrný proud o 14,4 – 18 V	
Hmotnost	0,5 kg	0,7 kg

POZNÁMKA

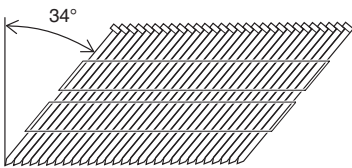
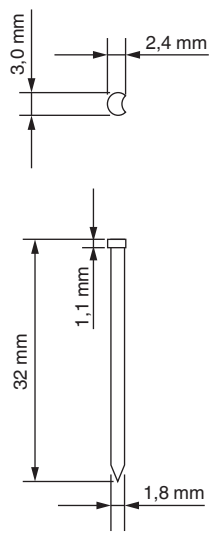

Vlivem stále pokračujícího výzkumného a vývojového programu společnosti HiKOKI mohou zde uvedené parametry podléhat změnám bez předchozího upozornění.

VÝBĚR HŘEBÍKŮ

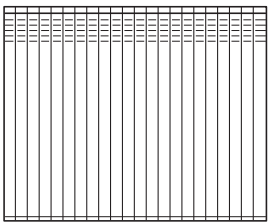
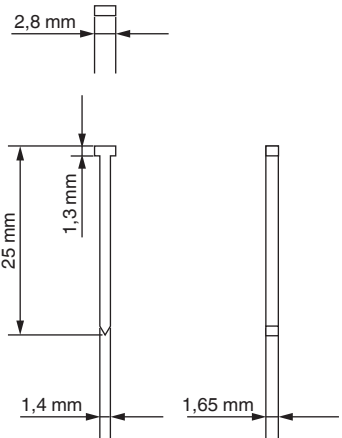

Touto hřebíkovou sbíječkou mohou být zaráženy pouze hřebíky zobrazené v níže uvedené tabulce.

Rozměry hřebíků

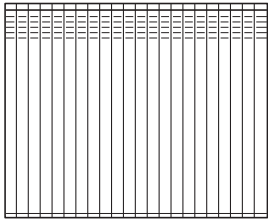
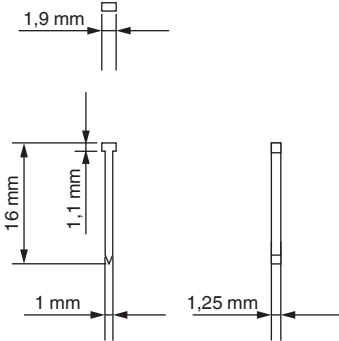

<NT1865DBAL>

	Min.	Max.
<p>Dokončovací hřebíky o velikosti 15 (Úhel: 34°)</p> 		

<NT1865DBSL>

	Min.	Max.
<p>Dokončovací hřebíky o velikosti 16 (přímo rovně)</p> 		

<NT1850DBSL>

	Min.	Max.
<p>Hřebíky bez hlavičky o velikosti 18 (přímo rovně)</p> 		
S výjimkou hřebíků o délce 35 mm		

STANDARDNÍ PŘÍSLUŠENSTVÍ

Obsah balení přístroje (1 přístroj) navíc obsahuje příslušenství uvedené na straně 378.

Standardní příslušenství podléhá změnám bez předchozího upozornění.

POUŽITÍ

<NT1865DBAL, NT1865DBSL>

- Nastřelování hřebíků jako dokončovací proces pro oblasti kolem dveří, oken i okrajů.
- Zajišťování spodní části zásuvek. Výroba různých skříní a sekretářů.

<NT1850DBSL>

- Montáž skříní a rámečků, úprava nábytku.
- Úprava a dotváření na místě a v mobilních domech.

NABÍJENÍ

Před použitím elektrického nářadí nabijte akumulátor dle níže uvedených pokynů.

1. Připojte do zdroje napájení. (obr. 3)

Nabíjení akumulátoru ze zdroje střídavého napájení

- Zapojte síťový kabel nabíječky do elektrické zásuvky. Po připojení zástrčky nabíječky do elektrické zásuvky se červeně rozblíká kontrolka (bude blikat v 1sekundovém intervalu).

UPOZORNĚNÍ

Pokud je elektrický kabel poškozen, nepoužívejte jej. Okamžitě jej nechte opravit.

Nabíjení akumulátoru ze zdroje stejnosměrným 12V napájením ve vozidle (UC18YML2)

- Nabíječku akumulátoru připevněte ve vozidle. Použijte pásy dodávané s nabíječkou akumulátoru pro připevnění nabíječky na místě a pro zabránění nechtěnému pohybu. (viz **obr. 28**)

UPOZORNĚNÍ

Nabíječku ani akumulátor neumísťte pod sedadlo řidiče. Zajistěte nabíječku na místě, aby nedošlo k nechtěnému pohybu, jinak by mohlo dojít k nehodě.



obr. 28

- Vložte zástrčku zapalovače do zdířky pro zapalovač. Pokud je zástrčka povolena nebo vypadává ze zdířky pro zapalovač, opravte zdířku. Vzhledem k tomu, že se může jednat o poruchu zdířky, doporučujeme se obrátit na vašeho místního prodejce automobilů. Další používání zdířky by mohlo vést k nehodě důsledkem přehřátí.
- 2. **Vložte akumulátor do nabíječky.** Akumulátor vložte pevně do nabíječky, dokud nebude vidět linka, jak je zobrazeno na **obr. 3**. Tyto linky nejsou zobrazeny na UC18YFSL. Ujistěte se, že akumulátor je pevně nainstalován na svém místě.
- 3. **Nabíjení**
Po vložení akumulátoru do nabíječky se spustí nabíjení a kontrolka začne svítit červeně. Když je akumulátor zcela nabitý, kontrolka se červeně rozblíká. (v 1sekundových intervalech) (viz **Tabulka 1**)
 - (1) Signalizace kontrolky
Kontrolka signalizuje stav nabíječky nebo akumulátoru tak, jak je uvedeno v **Tabulce 1**.

Tabulka 1

<UC18YFSL>

Signalizace kontrolky				
Kontrolka (červená)	Před nabíjením	Bliká	Svítil 0,5 sekundy. Nesvítil 0,5 sekundy. (vypne se na 0,5 sekundy)	/
	Během nabíjení	Svítil	Stále svítí	
	Nabíjení dokončeno	Bliká	Svítil 0,5 sekundy. Nesvítil 0,5 sekundy. (vypne se na 0,5 sekundy)	
	Pohotovostní režim při přehřátí	Bliká	Svítil 1 sekundu. Nesvítil 0,5 sekundy. (vypne se na 0,5 sekundy)	Akumulátor je přehřátý. Nelze nabíjet. (Nabíjení bude zahájeno po vystydnutí akumulátoru)
	Nelze nabíjet	Bliká	Svítil 0,1 sekundy. Nesvítil 0,1 sekundy. (vypne se na 0,1 sekundy)	Závada na akumulátoru nebo nabíječe

<UC18YML2>

Signalizace kontrolky				
Kontrolka svítí nebo bliká červeně.	Před nabíjením	Bliká	Svítil 0,5 sekundy. Nesvítil 0,5 sekundy. (vypne se na 0,5 sekundy)	/
	Během nabíjení	Svítil	Stále svítí	
	Nabíjení dokončeno	Bliká	Svítil 0,5 sekundy. Nesvítil 0,5 sekundy. (vypne se na 0,5 sekundy)	
	Nelze nabíjet	Bliká	Svítil 0,1 sekundy. Nesvítil 0,1 sekundy. (vypne se na 0,1 sekundy)	Závada na akumulátoru nebo nabíječe
Kontrolka svítí nebo bliká zeleně.	Pohotovostní režim při přehřátí	Svítil	Stále svítí	Akumulátor je přehřátý. Nelze nabíjet. (nabíjení bude zahájeno po vystydnutí akumulátoru)
	Nelze nabíjet ze zdroje napájení ve vozidle	Bliká	Svítil 0,5 sekundy. Nesvítil 0,5 sekundy. (vypne se na 0,5 sekundy)	Napájení 12 V stejnosměrného proudu je vadné

POZNÁMKA: Při pohotovostním režimu při chlazení akumulátoru UC18YML2 chladí přehřáté akumulátory větrákem. (Větrák však nebude pracovat při nabíjení akumulátoru ze stejnosměrného 12 V napájení ve vozidle)

(2) Informace o teplotách dobíjecího akumulátoru
Teploty dobíjecích akumulátorů jsou uvedeny v **Tabulce 2**. Zahřáté akumulátory je třeba před dobíjením nechat vychladnout.

Tabulka 2 Rozsahy dobíjení akumulátorů

Dobíjecí akumulátory	Rozmezí teplot pro nabíjení
BSL1830C, BSL1850	0°C – 50°C

(3) Informace o době dobíjení
V závislosti na kombinaci nabíječky a akumulátorů se bude čas nabíjení lišit tak, jak je zobrazeno v **tabulce 3**.

Tabulka 3 Doba nabíjení (při 20°C) (Napájení střídavým proudem/Napájení stejnosměrným proudem o 12 V (v autě))

Nabíječka \ Akumulátor	UC18YFSL	UC18YML2
BSL1830C	Přibl. 45 min	Přibl. 45/120 min
BSL1850	Přibl. 75 min	Přibl. 75/200 min

POZNÁMKA

Doba nabíjení se může měnit podle okolní teploty a napájecího napětí.

<UC18YML2>

Obzvláště pokud používáte k nabíjení stejnosměrné 12V napájení ve vozidle při vysokých teplotách, může nabíjení trvat déle.

UPOZORNĚNÍ

Pokud budete bez přestávky používat nabíječku akumulátoru, nabíječka se zahřeje, čímž může dojít k poruše. Po dokončení nabíjení vyčkejte 15 minut, než budete opět nabíjet.

4. Odpojte síťový kabel nabíječky ze zásuvky nebo zdířky zapalovače.

5. Pevně držte nabíječku a vytáhněte akumulátor.

POZNÁMKA

Ujistěte se, že jste po nabití vyjmuli akumulátor z nabíječky a poté jej uložte.

PŘED POUŽITÍM

Činnost	Obrázek	Strana
Vyjmutí a vložení akumulátoru	2	379
Nabíjení	3	380
Výběr příslušenství	—	385

1. Jak obsluhovat ovládací panel

(1) Spínač napájení ZAPNUTÝ (viz obr. 4)

Pokud je „Spínač napájení VYPNUTÝ“, stiskněte spínač napájení a přidržte ho stisknutý déle než 1 sekundu, poté bude kontrolka napájení svítit zeleně.

POZNÁMKA

Během zapínání spínače napájení se nedotýkejte tlačné páčky ani nemačkejte spoušť.

Pokud tak učiníte, zabráníte tím zapnutí spínače napájení.

[Automatické vypnutí]

Pokud je napájení zapnuté, ale hřebíková sbíječka se nepoužije po dobu 30 minut, hřebíková sbíječka se automaticky vypne. Chcete-li jej znovu zapnout, stiskněte spínač napájení.

VAROVÁNÍ

Nikdy nenechávejte hřebíkovou sbíječku se zapnutým napájením. Mohlo by tak dojít k nehodě.

(2) Spínač napájení VYPNUTÝ (viz obr. 4)

Pokud je „Spínač napájení ZAPNUTÝ“, stiskněte spínač napájení a přidržte ho stisknutý déle než 1 sekundu, poté kontrolka napájení zhasne.

Pokud je „Spínač napájení ZAPNUTÝ“, níže uvedené funkce jsou aktivní.

(3) Zvolte pracovní režim nastřelování hřebíků

(Plně sekvenční spouštění/kontaktní spouštění)

Po zapnutí spínače napájení se jako počáteční režim vždy nastaví režim plně sekvenčního spouštění. (Indikátor režimu nastřelování hřebíků svítí modře.) (Viz obr. 5)

Chcete-li změnit režim nastřelování hřebíků, stiskněte jednou přepínač režimu nastřelování hřebíků. S každým stisknutím se režim přepíná mezi možnostmi „Plně sekvenční“ a „Kontaktní“. (Viz obr. 6)

Světlo (modře) svítí:

PLNĚ SEKVENČNÍ MECHANISMUS SPOUŠTĚNÍ,

Světlo (modře) bliká:

KONTAKTNÍ MECHANISMUS SPOUŠTĚNÍ

(4) Zkontrolujte zbývající úroveň nabití baterie

Pokud stisknete spínač ukazatele baterie, ukazatel baterie zobrazí zbývající úroveň nabití baterie pomocí stavu LED kontrolky, jak je uvedeno níže.

Jak zařídit delší výkon akumulátorů.

(1) Nabíjte akumulátory předtím, než se úplně vybijí.

Pokud máte pocit, že se výkon nástroje snižuje, zastavte práci s nástrojem a dobijte akumulátor. Pokud budete pokračovat v používání nástroje a dojde k vybití elektrické energie, může dojít k poškození akumulátoru a zkrátí se jeho životnost.

(2) Vyvarujte se nabíjení při vysokých teplotách.

Dobíjecí akumulátor bude po skončení provozu horký. Pokud je akumulátor dobit ihned po použití, zhorší se stav jeho vnitřních chemických látek a zkrátí se jeho životnost. Nechte akumulátor chvíli vychladnout a pak ho dobijte.

UPOZORNĚNÍ

○ Pokud se akumulátor nabíjí zahřátý, protože byl po dlouhou dobu vystaven přímému slunečnímu záření nebo protože byl těsně před tím používán, kontrolka nabíječky se na 1 sekundu rozsvítí a zhasne na 0,5 sekundy (vypne se na 0,5 sekundy) (UC18YFSL) nebo se rozsvítí zeleně. (UC18YML2). V takovém případě nechte akumulátor nejprve vychladnout a poté zahajte nabíjení.

○ Pokud kontrolka bliká červeně (v intervalech 0,2 sekundy), zkontrolujte, zda nejsou v konektoru nabíječky akumulátoru cizí předměty, a pokud ano, odstraňte je. Pokud důvodem nejsou žádné cizí předměty, pravděpodobně se jedná o poruchu akumulátoru nebo nabíječky. Obratě se na autorizované servisní středisko.

○ Protože vestavěnému mikropočítači trvá přibližně 3 sekundy, než potvrdí, že akumulátor nabíjený nabíječkou UC18YFSL/UC18YML2 byl vyjmut, vyčkejte nejméně 3 sekundy, než jej vložíte zpět a budete pokračovat v nabíjení. Pokud akumulátor znovu vložíte během těchto 3 sekund, pravděpodobně se řádně nenabije.

○ Pokud kontrolka bliká zeleně (v 1 sekundových intervalech), zkontrolujte elektrické napětí zdroje napájení ve vozidle. (UC18YML2)

Pokud je napětí 12 V nebo nižší, znamená to, že baterie automobilu je slabá a nemůže nabíjet.

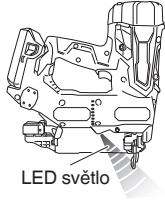

○ Pokud kontrolka neblíká červeně (každou sekundu), a to i přesto, že kabel nabíječky nebo svorka zapalovače jsou připojeny k napájení, znamená to, že mohla být aktivována ochrana proti zkratu nabíječky. Odpojte kabel a po přibližně 30 sekundách jej opět připojte. Pokud kontrolka přesto neblíká červeně (každou sekundu), předejte nabíječku autorizovanému servisnímu středisku společnosti HiKOKI.

Stav ukazatele	
<p>2 LED kontrolky (červeně) svítí</p>	Zbývající úroveň nabití akumulátoru je dostatečná.
<p>1 LED kontrolka (červená) svítí</p>	Zbývá asi polovina kapacity akumulátoru.
<p>1 LED kontrolka (červená) bliká</p>	Akumulátor je téměř vybitý. Dobijte baterii co nejdříve.

Čeština

(5) Další funkce

V případě výskytu poruchy v provozu bude zobrazení LED kontrolky následující.

Stav ukazatele	
 <p>LED světlo</p> <p>LED dioda bliká v intervalu.</p> <ul style="list-style-type: none">• V případě přílišného horka dioda bliká v intervalu 1 sekundy.• V případě přílišného chladu dioda bliká v intervalu 0,5 sekundy. <p>Po 10 sekundách se automaticky vypne LED dioda a spínač napájení.</p>	<p>Stav přístroje je příliš chladný (pod -5°C) nebo příliš horký.</p> <p>Nechte hřebíkovou sbíječku řádně vychladnout nebo zahřát do adekvátního stavu.</p>
 <p>2 LED kontrolky blikají oranžově, po 10 sekundách se automaticky vypne spínač napájení.</p>	<p>Obratete se na firmu HIKOKI s žádostí o kontrolu.</p>

(6) Jak používat LED světlo (viz **obr. 7**)

Pokud je zapnuto napájení, LED světlo automaticky osvětluje část nástroje s hrotem.

UPOZORNĚNÍ


- Nevystavujte oči přímému působení tohoto světla tím, že se do tohoto světla podíváte.
Pokud bude vaše oko trvale vystaveno tomuto světlu, dojde k poranění oka.
- Opatrně otřete jemným hadříkem všechnu špinu a nečistoty, které ulpěly na čočce LED světla, a dávejte pozor, abyste čočku LED nepoškodili.
Poškrábání čočky LED světla může mít za následek snížení jasů.



2. Mechanismus zablokování spouště (viz **obr. 8**)

VAROVÁNÍ

Pokud neprovádíte nastřelování hřebíků, ujistěte se, že spoušť je zablokována.

Tato hřebíková sbíječka má blokovací mechanismus, který zabraňuje nastřelování hřebíků.

Chcete-li spoušť zablokovat, nastavte zamykací páku spínače do polohy .

Posuňte zamykací páku spínače do polohy , pokud se má hřebíková sbíječka používat, a do polohy , pokud se nebude používat.

3. Testování hřebíkové sbíječky

VAROVÁNÍ

- Pokud neprovádíte nastřelování hřebíků, ujistěte se, že spoušť je zablokována. (Viz **obr. 8**)
- Nikdy hřebíkovou sbíječku nepoužívejte, pokud tlačná páčka nefunguje správně.
Zařízení NT1865DBAL a NT1865DBSL jsou vybavena mechanismem znemožňujícím provoz v případě, kdy ve stroji nejsou žádné hřebíky.
Zařízení NT1865DBAL a NT1865DBSL se dostanou do stavu, ve kterém nelze tlačnou páčku vytlačit nahoru. K tomu dojde, jestliže v zásobníku nejsou hřebíky nebo pokud je zbývajících počet hřebíků menší než 6 či 9.

UPOZORNĚNÍ

Buďte opatrní, abyste hrotem tlačné páčky neuhodili o dřevo.

Dříve, než skutečně zahájíte nastřelování hřebíků, otestujte hřebíkovou sbíječku pomocí níže uvedeného kontrolního seznamu. Testy proveďte v následujícím pořadí.

Pokud dojde během provozu k čemukoliv neobvyklému, ihned přerušte používání hřebíkové sbíječky a kontaktujte autorizované servisní středisko firmy HIKOKI.

(1) Z HŘEBÍKOVÉ SBÍJEČKY VYJMĚTE BATERII A VEŠKERÉ HŘEBÍKY.

VŠECHNY ŠROUBY MUSÍ BÝT UTAŽENÉ.

TLAČNÁ PÁČKA A SPOUŠŤ SE MUSÍ POHYBOVAT HLADCE při vytažení podavače hřebíků (B). (NT1850DBSL: Není nutné vytažovat podavač hřebíků.)

(2) Osazení baterie.

Během osazování baterie nepoužívejte tlačnou páčku ani spoušť. (Viz **obr. 2**)

(3) Zapněte spínač napájení. (Viz **obr. 1**)

Zapněte spínač napájení tak, že spínač stisknete a přidržíte ho stisknutý déle než 1 sekundu.

Ujistěte se, že kontrolka napájení svítí zeleně a že indikátor režimu nastřelování hřebíků svítí modře. (PLNĚ SEKVENČNÍ MECHANISMUS SPOUŠTĚNÍ)

POZNÁMKA

Během zapínání spínače napájení se nedotýkejte tlačné páčky ani nemačkejte spoušť.

Pokud tak učiníte, zabráníte tím zapnutí spínače napájení.

[Automatické vypnutí]

Pokud je napájení zapnuté, ale hřebíková sbíječka se nepoužije po dobu 30 minut, hřebíková sbíječka se automaticky vypne. Chcete-li jej znovu zapnout, stiskněte spínač napájení.

VAROVÁNÍ

Nikdy neponechávejte hřebíkovou sbíječku se zapnutým napájením. Mohlo by tak dojít k nehodě.

Indikátor režimu nastřelování hřebíků

Světlo (modře) svítí:

PLNĚ SEKVENČNÍ MECHANISMUS SPOUŠTĚNÍ, Světlo (modře) bliká:

KONTAKTNÍ MECHANISMUS SPOUŠTĚNÍ

Ujistěte se, že ukazatel baterie neblíká.

Pokud ukazatel baterie bliká červeně, baterie není dostatečně nabitá a potřebuje dobít.

(4) Sundejte prst ze spouště a zatlačte tlačnou páčku proti spojené součásti za současného vytažení podavače hřebíků (B).

HŘEBÍKOVÁ SBÍJEČKA SE NESMÍ SPUSTIT.

(5) Oddalte tlačnou páčku od spojené součásti.

Poté namiřte hřebíkovou sbíječku směrem dolů, vytáhněte podavač hřebíků (B), zmáčkněte spoušť a poté počkejte v této poloze po dobu 5 sekund nebo déle.

HŘEBÍKOVÁ SBÍJEČKA SE NESMÍ SPUSTIT.

(6) ① Aniž byste se dotkli spouště, zatlačte tlačnou páčku proti spojené součásti za současného vytažení podavače hřebíků (B). Poté zmáčkněte spoušť.

HŘEBÍKOVÁ SBÍJEČKA SE MUSÍ SPUSTIT.

② Přidrže spoušť vzadu a opět zatlačte tlačnou páčku proti spojené součásti.

HŘEBÍKOVÁ SBÍJEČKA SE NESMÍ SPUSTIT.

- ③ Sundejte prst ze spouště.
Dále se znovu provede bod ①.

HŘEBÍKOVÁ SBÍJEČKA SE MUSÍ SPUSTIT.

- (7) Oddalte tlačnou páčku od spojované součásti, zmáčkněte spoušť.
Stlaďte tlačnou páčku proti spojované součásti na 2 sekundy.

HŘEBÍKOVÁ SBÍJEČKA SE NESMÍ SPUSTIT.

- (8) Nastavte blikání indikátoru režimu nastřelování hřebíků na ZAPNUTO. (KONTAKTNÍ MECHANISMUS SPOUŠTĚNÍ)

Přepínač režimu nastřelování hřebíků stiskněte jednou a ujistěte se, že indikátor bliká modře.
Oddalte tlačnou páčku od spojované součásti, zmáčkněte spoušť.

Stlaďte tlačnou páčku proti spojované součásti na 2 sekundy.

HŘEBÍKOVÁ SBÍJEČKA SE MUSÍ SPUSTIT.

- (9) Pokud během zkušebního provozu nedojde k ničemu neobvyklému, můžete do přístroje naložit hřebíky.
Nastřelte hřebíky do spojované součásti stejného typu, který se má použít při aktuální práci.

HŘEBÍKOVÁ SBÍJEČKA SE MUSÍ ŘÁDNĚ SPUSTIT.

4. Kontrola činnosti tlačné páčky

VAROVÁNÍ

Pokud neprovádíte nastřelování hřebíků, ujistěte se, že spoušť je zablokovaná.

Při provádění kontroly činnosti tlačné páčky se vždy ujistěte, že spoušť je zablokovaná a baterie je z elektrického nářadí vyjmutá.

Ujistěte se, že tlačná páčka má za provozu hladký klouzavý chod.

Pokud není pohyb tlačné páčky plynulý, vyčistěte kluznou oblast tlačné páčky.

5. Založte hřebíky

VAROVÁNÍ

Při zakládání hřebíků do hřebíkové sbíječky

- 1) vyjměte akumulátor z hřebíkové sbíječky;
- 2) nemačkejte spoušť;
- 3) nestlačte tlačnou páčku a
- 4) držte hřebíkovou sbíječku namířenou směrem dolů.

<NT1865DBAL, NT1865DBSL>

2–Postup podávání hřebíků!

- (1) Založte pás hřebíků do zadní části zásobníku. (Viz **obr. 9**)

- (2) Posuňte pás hřebíků v zásobníku dopředu. (Viz **obr. 10**)

- (3) Zatlačte na podavač hřebíků (A) tak, aby se zapojil podavač hřebíků (B) k pásu hřebíků. (Viz **obr. 11**)

POZNÁMKA

- Mírně zatlačte podavač hřebíků (A) a podavač hřebíků (B) proti hřebíku.

Pokud se podavač hřebíků (A) a podavač hřebíků (B) uvolní napřete ze zásobníku a narazí na hřebíky, může se poškodit spojovací lep hřebíků.

- Použijte pás hřebíků s více než 10 hřebíky.
- Použijte neporušený pás hřebíků s hřebíky o stejné délce.

Hřebíková sbíječka je nyní připravena k provozu.

Vyjmutí hřebíků:

- ① Zatáhněte podavač hřebíků (B) dozadu. (viz **obr. 12**)
- ② Vraťte podavač hřebíků (B) mírně dopředu za současného tisknutí podavače hřebíků (A).
- ③ Vytáhněte hřebíky ze zadní části zásobníku. (viz **obr. 13**)

<NT1850DBSL>

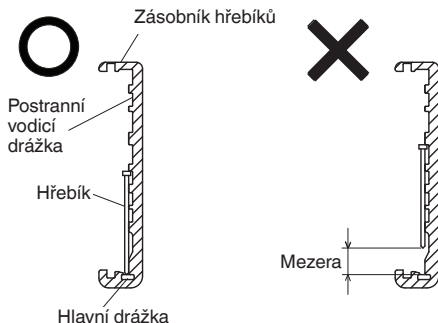
- (1) Mírně stiskněte blokovací páku a zlehka vytáhněte kryt zásobníku. (viz **obr. 14**)

- (2) Vložte pás hřebíků do zásobníku a udržujte hroty hřebíků v kontaktu s hlavní drážkou. (viz **obr. 15**)

POZNÁMKA

Hřebíky zobrazené na stránce 253 mohou být založeny k boční vodicí drážce zásobníku bez jakéhokoliv nastavení.

Vždy udržujte hroty hřebíků v kontaktu s hlavní drážkou.



- (3) Posuňte pás hřebíků k vodítku břitů. (Viz **obr. 16**)

- (4) Zkontrolujte, zda je pás hřebíků řádně umístěn u bočních vodicích drážek a u hlavní drážky, a poté zatlačte kryt zásobníku dopředu, aby zapadl na své místo.

JAK POUŽÍVAT HŘEBÍKOVOU SBÍJEČKU

VAROVÁNÍ

- NIKDY neměřte nářadím na sebe ani na ostatní osoby na pracovišti.

- Pokud neprovádíte nastřelování hřebíků, držte prsty PRYČ od spouště, zabráníte tak neúmyslnému nastřelení hřebíku.

- Pokud je elektrický kabel poškozen, nepoužívejte jej. Okamžitě jej nechte opravit.

- Volba metody spuštění je důležitá.

Přečtěte si a pochopte část „1. Postupy nastřelování hřebíků“, kterou naleznete níže.

- Než začnete pracovat, zkontrolujte přepínací zařízení pro výběr režimu nastřelování hřebíků.

Tato hřebíková sbíječka firmy HIKOKI je vybavena přepínacím zařízením pro výběr režimu nastřelování hřebíků.

Před zahájením práce se ujistěte, že je přepínací zařízení správně nastaveno.

Pokud není toto přepínací zařízení správně nastaveno, hřebíková sbíječka nebude fungovat správně.

- Při použití nikdy neumístujte obličej, ruce ani nohy do blízkosti zarážecí hlavice.

- Nenastřelujte hřebíky na vršek jiných hřebíků ani hřebíkovou sbíječku při nastřelování nedržte pod příkrým náklonem; hřebíky se tak mohou odrazit a někomu ublížit.

- Nezarážejte hřebíky do tenkých desek ani v blízkosti rohů a okrajů spojované součásti. Hřebíky mohou projít skrz nebo zcela vyjít ze spojované součásti a někomu zasáhnout.

- Nikdy nezarážejte hřebíky na obou stranách jedné stěny současně. Při zarážení do stěn mohou hřebíky projít skrz stěnu a zasáhnout osobu na druhé straně.

- Nikdy nepoužívejte hřebíkovou sbíječku, pokud je porouchaná nebo nefunguje správně.

- Nepoužívejte hřebíkovou sbíječku jako kladivo.

Čeština

- Vyměte z hřebíkové sbíječky všechny zbývající hřebíky a akumulátor, pokud:
 - 1) provádíte údržbu a kontrolu;
 - 2) kontrolujete správnou funkci tlačné páčky a spouště;
 - 3) připevňujete nebo snímáte kryt špičky;
 - 4) odstraňujete zablokovaný hřebík;
 - 5) nářadí nepoužíváte;
 - 6) opouštíte pracoviště;
 - 7) přemísťujete se na jiné místo; a
 - 8) předáváte nářadí jiné osobě.
- Vyměte baterii z hřebíkové sbíječky, pokud:
 - 1) zakládáte hřebíky;
 - 2) otáčíte seřizovačem.

Tato hřebíková sbíječka firmy HiKOKI je vybavena přepínacím zařízením pro výběr režimu nastřelování hřebíků. Použijte PLNĚ SEKVENČNÍ MECHANISMUS SPOUŠTĚNÍ nebo KONTAKTNÍ MECHANISMUS SPOUŠTĚNÍ v závislosti na práci, která má být provedena. Popis různých režimů nastřelování hřebíků

- **PLNĚ SEKVENČNÍ MECHANISMUS SPOUŠTĚNÍ:**
Nejprve zatlačte tlačnou páčku proti dřevu; poté zmáčknutím spouště nastřelíte hřebík. Při dalším nastřelování hřebíků pokračujte ve stejném sledu.
Po jednom přibití již nebude možné provést další, dokud nesejmete prst ze spouště a nástroj zcela nezvednete z povrchu dřeva.

- **KONTAKTNÍ MECHANISMUS SPOUŠTĚNÍ:**
KONTAKTNÍ SPOUŠTĚNÍ může v závislosti na daném použití probíhat podle dvou různých postupů. Chcete-li nastřelit několik hřebíků:
 1. Zmáčknete spoušť.
 2. Zatlacením tlačné páčky proti dřevu nastřelíte hřebík.
 3. Pokud je spoušť držena zmáčknutá, k nastřelení hřebíku dojde při každém zatlacení tlačné páčky proti dřevu.

Chcete-li nastřelit jednotlivý hřebík:

1. Zatláčte tlačnou páčku proti dřevu.
2. Zmáčknutím spouště nastřelíte hřebík.
3. Sejměte prst ze spouště a oddalte hřebíkovou sbíječku od dřeva.

[Mechanismus blokování nastřelení hřebíku naprázdno]
Zařízení NT1865DBAL a NT1865DBSL jsou vybavena mechanismem znemožňujícím provoz v případě, kdy ve stroji nejsou žádné hřebíky.

Zařízení NT1865DBAL a NT1865DBSL se dostanou do stavu, ve kterém nelze tlačnou páčku vytlačit nahoru. K tomu dojde, pokud zásobník není naplněn hřebíky nebo pokud je zbývajících počet hřebíků menší než 6 nebo 9.

UPOZORNĚNÍ

Pokud tlačnou páčku nelze vytlačit nahoru, buďte opatrní, abyste hrotem tlačné páčky neuhodili o dřevu.

1. Postupy nastřelování hřebíků

Tato hřebíková sbíječka je vybavena tlačnou páčkou a nespustí se, dokud se tlačná páčka nestlačí.

Existují dva způsoby provozu při nastřelování hřebíků touto hřebíkovou sbíječkou.

Jsou to:

1. Přerušovaný provoz (nastřelování pomocí spouště):
2. Nepřetržitý provoz (nastřelování pomocí tlačné páčky):

- (1) Přerušovaný provoz (nastřelování pomocí spouště)
Použijte nastavení na PLNĚ SEKVENČNÍ MECHANISMUS SPOUŠTĚNÍ. (Viz **obr. 17**)

VAROVÁNÍ

- Při přerušovaném provozu nastavte přepínač režimu nastřelování hřebíků na PLNĚ SEKVENČNÍ MECHANISMUS SPOUŠTĚNÍ (indikátor režimu nastřelování hřebíků svítí modře). (tj. nastavte MECHANISMUS JEDNOTLIVÉHO SPOUŠTĚNÍ.)

- Aby nedošlo ke zdvojenému nebo náhodnému nastřelení hřebíku v důsledku zpětného rázu.

- 1) Nastavte **PLNĚ SEKVENČNÍ MECHANISMUS SPOUŠTĚNÍ**.
 - 2) Zmáčknete spoušť rychle a pevně.
- ① Nastavte přepínač režimu nastřelování hřebíků na **PLNĚ SEKVENČNÍ MECHANISMUS SPOUŠTĚNÍ** (indikátor režimu nastřelování hřebíků svítí modře). (pro nastavení na **PLNĚ SEKVENČNÍ MECHANISMUS SPOUŠTĚNÍ**).

(Nastavte přepínací zařízení tak, aby indikátor režimu nastřelování hřebíků svítil modře, jak je uvedeno na **obr. 17**. V opačném případě bude nastaveno na **KONTAKTNÍ MECHANISMUS SPOUŠTĚNÍ**.)

- ② S prsty mimo spoušť umístíte výstup hřebíků na spojovanou součást.

- ③ Pevně stlačte tlačnou páčku až nadoraz.

- ④ Zmáčknutím spouště nastřelíte hřebík.

- ⑤ Sejměte prst ze spouště a zcela zvedněte nástroj z povrchu dřeva.

Chcete-li pokračovat v nastřelování na jiném samostatném místě, posuňte hřebíkovou sbíječku podél dřeva a opakujte kroky ② - ⑤ podle potřeby.

POZNÁMKA

Činnosti ③ a ④ by měly být provedeny do 2 sekund po sobě. Pokud od provedení kroku ③ uběhnou více než 2 sekundy, hřebíková sbíječka nebude fungovat správně. Pokud k tomu dojde, zopakujte postup od bodu ③.

- (2) Nepřetržitý provoz (nastřelování pomocí tlačné páčky)
Pomocí **KONTAKTNÍHO MECHANISMUS SPOUŠTĚNÍ** (viz **obr. 18**)

VAROVÁNÍ

Aby nedošlo ke zdvojenému nebo náhodnému nastřelení hřebíku v důsledku zpětného rázu.

- 1) Netlačte hřebíkovou sbíječkou proti dřevu přílišnou silou.
- 2) Hřebíkovou sbíječku oddalte od dřeva, protože po nastřelení hřebíku dochází ke zpětnému rázu.

- ① Nastavte přepínač režimu nastřelování hřebíků na **KONTAKTNÍ MECHANISMUS SPOUŠTĚNÍ** (indikátor režimu nastřelování hřebíků bliká modře). (pro nastavení na **KONTAKTNÍ MECHANISMUS SPOUŠTĚNÍ**).

(Nastavte přepínací zařízení tak, aby indikátor režimu nastřelování hřebíků blikal modře, jak je uvedeno na **obr. 18**. V opačném případě nebude přístroj fungovat správně.)

- ② Hřebíkovou sbíječku držte vzdálenou od spojované součásti a zmáčknete spoušť.

- ③ Stlačením tlačné páčky proti spojované součásti nastřelíte hřebík.

- ④ Energetickým pohybem posuňte hřebíkovou sbíječku podél spojované součásti.

Při každém stlačení tlačné páčky dojde k nastřelení hřebíku.

Jakmile je nastřelen požadovaný počet hřebíků, sejměte prst ze spouště.

POZNÁMKA

Činnosti ② a ③ by měly být provedeny do 2 sekund po sobě. Pokud od provedení kroku ② uběhnou více než 2 sekundy, hřebíková sbíječka nebude fungovat správně. Pokud k tomu dojde, zopakujte postup od bodu ②.

VAROVÁNÍ

- Pokud právě neprovádíte nastřelování hřebíků, držte prst mimo spoušť, protože by mohlo dojít k vážnému zranění, pokud by se tlačná páčka náhodně dotkla vás nebo ostatních lidí na pracovišti.

- Držte ruce a tělo mimo oblast výstupu hřebíků. Tato hřebíková sbíječka firmy HiKOKI může v důsledku působení zpětného rázu při nastřelování hřebíků odskočit, čímž může dojít k nechtěnému následnému nastřelení hřebíku, které může způsobit zranění.

POZNÁMKA

○ Pokud jsou dodržena veškerá varování a pokyny, je možné bezpečně pracovat s oběma systémy: **PLNÉ SEKVENČNÍ MECHANISMUS SPOUŠTĚNÍ, KONTAKTNÍ MECHANISMUS SPOUŠTĚNÍ.**

○ S hřebíky zacházejte vždy opatrně a dávejte pozor při jejich balení. Pokud dojde k upuštění hřebíků, může se porušit pojivo hřebíků držíci je pohromadě, což způsobí nesprávné podávání hřebíků a jejich uvíznutí v přístroji.

○ Po nastřelení hřebíků:

- 1) vyjměte akumulátor z hřebíkové sbíječky;
- 2) vyjměte z hřebíkové sbíječky všechny hřebíky;

2. Úprava hloubky zarážení hřebíku

Aby se zaručilo, že každý hřebík pronikne do stejné hloubky, držte hřebíkovou sbíječku vždy pevně proti obrobku.

Pokud se hřebíky zarážejí do spojované součásti příliš hluboko nebo příliš mělko, upravte nastřelování podle následujícího postupu.

- ① Vyjměte akumulátor z hřebíkové sbíječky.
- ② Pokud se hřebíky zarážejí příliš hluboko, otočte seřizovačem směrem k mělké straně. (Viz **obr. 19**) Úpravy se provádí v krocích o půltáčkách. Pokud se hřebíky zarážejí příliš mělko, otočte seřizovačem směrem k hluboké straně. (Viz **obr. 20**)
- ③ Zastavte otáčení seřizovače, jakmile se při zkušebním nastřelování dosáhne vhodné polohy nastřelování hřebíků.
- ④ Připojte akumulátor k hřebíkové sbíječce. **VŽDY NOSTE BEZPEČNOSTNÍ BRÝLE.** Proveďte zkušební nastřelování hřebíků.
- ⑤ Vyjměte akumulátor z hřebíkové sbíječky.
- ⑥ Zvolte vhodnou pozici seřizovače.

3. Použití háku (viz obr. 21, 22, 23)**VAROVÁNÍ**

Pokud používáte hák, vypněte spínač napájení (zelené světlo „VYPNUTO“). Dejte velký pozor na to, aby hlavní zařízení nespadlo.

Pokud přístroj spadne, hrozí nebezpečí nehody.

Hák lze namontovat na levé nebo pravé straně. (s výjimkou NT1865DBAL)

- ① Vyjměte baterii a poté vyjměte všechny zbývající hřebíky ze zásobníku.
- ② Bezpečně přidrže hlavní jednotku a šroub vyšroubujte pomocí šroubováku. (viz **obr. 21**)
- ③ Sejměte hák a hákovou podkladnici. (viz **obr. 22**)
- ④ Nasadte hák na druhou stranu a bezpečně zajistěte šroubem. (viz **obr. 23**)

POZNÁMKA

Hák lze použít jako závěs.

4. Použití krytu špičky tlačné páčky (viz obr. 24, 25)**VAROVÁNÍ**

Při nasazování nebo sundávání krytu špičky tlačné páčky nezapomeňte sundat prst ze spouště a vyjmout z hřebíkové sbíječky akumulátor a všechny zbývající hřebíky.

Pokud chcete ochránit povrch spojované součásti před poškrábáním nebo označením tlačnou páčkou, připevněte na tlačnou páčku přídatný kryt její špičky.

- ① Vyjměte z hřebíkové sbíječky všechny zbývající hřebíky a akumulátor.
- ② Nasadte kryt špičky na špičku tlačné páčky.
- ③ Kryt špičky tlačné páčky je označen tak, aby ukazoval výstupní bod hřebíku, což usnadňuje zarovnání.
- ④ Pokud kryt špičky tlačné páčky nepoužíváte, bezpečně ho uložte v odkládací přihrádce umístěné na zadní straně zásobníku.

POZNÁMKA

Kryt špičky tlačné páčky může svojí tloušťkou snížit hloubku zarážení hřebíků. Je nutné znovu nastavit hloubku zarážení hřebíků.

5. Odstranění zablokovaného hřebíku

Pokud jsou v zarážecí hlavici zablokované hřebíky, vyjměte je a upravte nastřelování hřebíků následujícím postupem.

UPOZORNĚNÍ

- Vyjměte akumulátor z hřebíkové sbíječky.
- ① Vyjměte akumulátor z hřebíkové sbíječky.
 - ② Vyjměte všechny hřebíky.
 - ③ Uvolněte zamykací páku a otevřete vodicí desku. (Viz **obr. 26**)
 - ④ Vyjměte zablokovaný hřebík pomocí šroubováku na šrouby s drážkou. (Viz **obr. 27**)

UPOZORNĚNÍ

- NIKDY se nedotýkejte čepce zarážače.
- NIKDY nemiřte přístrojem na sebe ani na jinou osobu, aby se zabránilo riziku zranění v důsledku nesprávného nastřelení hřebíku.

Dokonce i po vyjmutí akumulátoru z hřebíkové sbíječky stále zůstává uvnitř přístroje nahromaděná energie ve formě stlačeného vzduchu.

- ⑤ Zavřete vodicí desku a zaklapněte ji.

POZNÁMKA

V případě častého zablokování hřebíků kontaktujte autorizovaný servis firmy HIKOKI.

ÚDRŽBA A KONTROLA**UPOZORNĚNÍ**

Před prováděním údržby a kontroly nezapomeňte z hřebíkové sbíječky vyjmout baterii a všechny zbývající hřebíky.

1. Kontrola zásobníku

- ① Vyjměte akumulátor z hřebíkové sbíječky.
- ② Vycištěte zásobník. Odstraňte prach a dřevěné piliny, které se mohly v zásobníku nahromadit.

UPOZORNĚNÍ

Ověřte, že podavač hřebíků se posouvá hladce tahem prstu.

Pokud se neposouvá hladce, hřebíky mohou být zaráženy pod nepravdivým úhlem, a mohou tak někoho zranit.

2. Kontrola montážních šroubů

Pravidelně kontrolujte všechny montážní šrouby a zajistěte, aby byly řádně utaženy. Pokud jsou jakékoli šrouby uvolněné, okamžitě je dotáhněte. Pokud tak neučiníte, vystavujete se vážnému nebezpečí.

3. Údržba motoru

Vinutí motoru je „srdce“ elektrického nářadí. Ujistěte se, že vinutí není poškozené nebo mokré od vody či oleje.

4. Kontrola svorek (nářadí i akumulátoru)

Zkontrolujte, že se na svorkách nenahromadily kovové částičky a prach.

Příležitostně totéž kontrolujte před, během a po práci s nářadím.

UPOZORNĚNÍ

Odstraňte veškeré kovové částičky nebo prach, které se mohou nahromadit na svorkách.

Pokud tak neučiníte, může dojít k selhání.

5. Údržba povrchu

Pokud je přístroj znečištěný, otřete jej měkkým suchým hadříkem nebo hadříkem navlhčeným v mýdlové vodě. Nepoužívejte rozpouštědla s obsahem chlóru, benzín ani ředidlo, jelikož tyto látky rozpouštějí umělé hmoty.

6. Skladování

Přístroj skladujte na místě s teplotou nižší než 40°C a mimo dosah dětí.

POZNÁMKA

Skladování lithium-iontových akumulátorů Před uskladněním lithium-iontových akumulátorů zkontrolujte, zda jsou plně nabitě.

Dlouhodobější skladování (3 měsíce a déle) málo nabitých akumulátorů může způsobit snížení jejich výkonu, výrazně snížit dobu použití, případně může dojít ke ztrátě schopnosti akumulátoru držet zátěž.

Čeština

Výrazně sníženou dobu použití však lze obnovit dvěma až pěti cykly opakovaného nabíjení a využití akumulátorů. Pokud je doba využití akumulátoru extrémně krátká, nehledě na to, že jste jej opakovaně nabili a použili, zkontrolujte, zda není akumulátor nefunkční a zvažte pořízení nového akumulátoru.

UPOZORNĚNÍ

Při obsluze a údržbě elektrických zařízení musí být dodržovány bezpečnostní předpisy a normy platné v každé zemi, kde je výrobek používán.

Důležité upozornění týkající se akumulátoru pro elektrické akumulátorové nářadí společnosti HiKOKI

Používejte vždy jeden z námi určených originálních akumulátorů. Nemůžeme zaručit bezpečnost a výkonnost našeho elektrického akumulátorového nářadí, pokud jsou používány jiné, než námi určené akumulátory nebo pokud je akumulátor rozebrán a změněn (např. byl rozebrán a nahrazen článek akumulátoru nebo jiných vnitřních částí).

ZÁRUKA

Ručíme za to, že elektrické nářadí HiKOKI splňuje zákonné/místně platné předpisy. Tato záruka nezahrnuje závady nebo poškození vzniklé v důsledku nesprávného použití, hrubého zacházení nebo normálního opotřebení. V případě reklamace zašlete prosím elektrické nářadí v nerozebraném stavu společně se ZÁRUČNÍM LISTEM připojeným na konci těchto pokynů pro obsluhu do autorizovaného servisního střediska společnosti HiKOKI.

Informace o hluku

Charakteristické hodnoty hluku v souladu s normou EN 60745:

Typická A-vážená hladina akustického výkonu pro jednu událost L_{WA} , 1 s, d = 92 dB
Typická A-vážená hladina akustického tlaku s jedinou událostí na pracovišti L_{pA} , 1 s, d = 81 dB
Neurčitost KpA: 3 dB

Tyto hodnoty představují charakteristické hodnoty související s nástroji a nepředstavují rozvoj hluku v místě používání. Rozvoj hluku v místě používání závisí například na pracovním prostředí, na spojované součásti a její podpěře a na počtu prováděných nastřelení atd.

V závislosti na podmínkách na pracovišti a na tvaru spojované součásti může být zapotřebí provést individuální opatření k tlumení hluku, jako je umístění spojované součásti na podpěři s tlumením zvuku, bránění vzniku vibrací spojované součásti prostřednictvím jejího upnutí nebo zakrytí apod.

Ve zvláštních případech je nutné nosit zařízení na ochranu sluchu.

Informace o vibracích

Typická charakteristická hodnota vibrací v souladu s normou EN 60745: 2,6 m/s²
Nejistota K: 1,5 m/s²

Tyto hodnoty představují charakteristické hodnoty související s nástroji a nereprezentují vliv na soustavu ruka - paže při používání nástroje. Vliv na soustavu ruka - paže při použití nástroje bude záviset například na síle uchopení, síle kontaktního tlaku, na pracovním směru, na nastavení přívodu energie, na spojované součástce a její podpěře.

Deklarovaná hodnota vibrací byla změřena v souladu se standardní metodou testování a může být použita pro porovnání jednoho nářadí s druhým.

Tuto deklarovanou hodnotu vibrací lze rovněž použít v předběžném hodnocení vystavení.

VAROVÁNÍ

- Vibrační emise během vlastního používání elektrického nářadí se může od deklarované celkové hodnoty lišit v závislosti na způsobu jeho použití.
- Stanovte bezpečnostní opatření k ochraně obsluhy založená na odhadu vystavení vlivům v daných podmínkách použití (v úvahu je třeba vzít všechny části pracovního cyklu, například doby, kdy je nářadí vypnuté i kdy běží naprázdno před spuštěním).

POZNÁMKA

Vlivem stále pokračujícího výzkumného a vývojového programu společnosti HiKOKI mohou zde uvedené parametry podléhat změnám bez předchozího upozornění.

Tabulka údržby

ČINNOST	PROČ	JAK
Vyčistěte zásobník a mechanismus podavače.	Zabránění zablokování.	Vyfoukejte denně dočista.
Udržujte správnou funkci tlačné páčky.	Zvýšení bezpečnosti obsluhy a zajištění efektivního provozu hřebíkové sbíječky.	Vyfoukejte denně dočista.

ODSTRAŇOVÁNÍ PORUCH

Zkontrolujte dle níže uvedené tabulky, zda přístroj nepracuje správně. Pokud se tím neodstraní problém, poraďte se svým odborníkem nebo autorizovaným servisním střediskem HiKOKI.

PROBLÉM	ZPŮSOB KONTROLY	NÁPRAVA
Spínač napájení se nezapíná. Zapne se jednou, ale automaticky se vypne.	Nízká úroveň nabití baterie.	Nabijte akumulátor.
	Poškozená vnitřní elektronika.	Obratě se na firmu HiKOKI s žádostí o výměnu.
	Tlačná páčka a/nebo spoušť je zapnutá?	Tlačnou páčku a spoušť mějte ve stavu VYPNUTO.
	V průběhu 30 minut nebyla provedena žádná činnost? (Funkce automatického vypnutí)	Stisknutím a podržením spínače napájení po dobu delší než 1 sekundu přepnete do stavu „ZAPNUTO“.
Hřebíková sbíječka nepracuje. (Spínač napájení ZAPNUTÝ).	Hřebíková sbíječka netlačí dostatečně proti spojované součásti.	Pevně držte hřebíkovou sbíječku a zcela s ní zatlačte proti spojované součásti.
	Zmáčknutí spouště není dostatečné.	Zmáčknete spoušť pevně.
	Od ZAPNUTÍ tlačné páčky do ZAPNUTÍ spouště uplynuly více než 2 sekundy (nebo od ZAPNUTÍ spouště do ZAPNUTÍ tlačné páčky).	Ujistěte se, že od ZAPNUTÍ tlačné páčky do ZAPNUTÍ spouště uplynou méně než 2 sekundy (nebo od ZAPNUTÍ spouště do ZAPNUTÍ tlačné páčky).
	Aktivován preventivní mechanismus. (Žádné hřebíky, nebo jich zbývá příliš málo) (s výjimkou NT1850DBSL)	Založte znovu hřebíky do zásobníku.
	Zamykací páka spínače (funkce blokování spouště) je v poloze „ZAPNUTO“.	Nastavte zamykací páku spínače do polohy „VYPNUTO“. (Viz obr. 8)
	Přístroj je příliš chladný (pod -5°C) nebo příliš horký. (LED světlo bliká v pravidelných intervalech a spínač napájení zhasne po 10 sekundách.) (Viz strana 256)	Nechte hřebíkovou sbíječku řádně vychladnout nebo zahřát do adekvátního stavu.
	Poškozená vnitřní elektronika.	Obratě se na firmu HiKOKI s žádostí o výměnu.
Hřebíková sbíječka pracuje, ale nenastřelují se žádné hřebíky.	Zásobník je špinavý.	Ofoukněte a otřete zásobník dočista.
	Ověřte, zda nedošlo k zablokování hřebíku.	Odstraňte zablokovaný hřebík (viz obr. 26, 27).
	Čepel zarážeče je opotřebená nebo poškozená?	Obratě se na firmu HiKOKI s žádostí o výměnu.
	Tlačná pružina je zeslabená nebo poškozená?	Vyměňte tlačnou pružinu.
	Podavač hřebíků je poškozený?	Vyměňte podavač hřebíků.
	Zkontrolujte, zda používáte správné hřebíky.	Používejte pouze doporučené hřebíky.
Slabý úder při zarážení. Zpomalení cyklu.	Zkontrolujte polohu seřizovače hloubky zarážení hřebíků.	Znovu nastavte podle obr. 19, 20 .
	Čepel zarážeče je opotřebená?	Obratě se na firmu HiKOKI s žádostí o výměnu.
	Tlak stlačeného vzduchu se snížil.	Obratě se na firmu HiKOKI s žádostí o výměnu.
	Poškozená vnitřní elektronika.	Obratě se na firmu HiKOKI s žádostí o výměnu.
Zarážení je příliš hluboké.	Zkontrolujte polohu seřizovače hloubky zarážení hřebíků.	Znovu nastavte podle obr. 19, 20 .
Dochází k přeskakování hřebíků. Přerušované podávání.	Zkontrolujte, zda používáte správné hřebíky.	Používejte pouze doporučené hřebíky.
	Podavač hřebíků je poškozený?	Vyměňte podavač hřebíků.
	Tlačná pružina je zeslabená nebo poškozená?	Vyměňte tlačnou pružinu.
Zablokovaný hřebík. Nastřelený hřebík je ohnutý.	Čepel zarážeče je opotřebená nebo poškozená?	Obratě se na firmu HiKOKI s žádostí o výměnu.
	Zkontrolujte, zda používáte správné hřebíky.	Používejte pouze doporučené hřebíky.
	Čepel zarážeče je opotřebená nebo poškozená?	Obratě se na firmu HiKOKI s žádostí o výměnu.

GENEL ELEKTRİKLİ ALET GÜVENLİK UYARILARI

⚠ UYARI

Tüm güvenlik uyarılarını ve tüm talimatları okuyun.

Uyarılara ve talimatlara uyulmaması elektrik çarpmasına, yangına ve/veya ciddi yaralanmaya neden olabilir.

Bu kılavuzu gelecekte başvurmak üzere saklayın.

Uyarılarda kullanılan "elektrikli alet" terimi, şebeke elektriğiyle çalışan (kablolu) veya pille çalışan (kablosuz) elektrikli aletinizi belirtir.

1) Çalışma alanının güvenliği

- Çalışma alanını iyi aydınlatılmış ve temiz tutun.**
Dağınık veya karanlık alanlar kazalara davetiye çıkarır.
- Elektrikli aletleri yanıcı sıvı, gaz veya toz gibi patlayıcı maddelerin bulunduğu ortamlarda çalıştırmayın.**
Elektrikli aletlerin çıkardığı kıvılcıklar toz veya gaz halindeki bu maddeleri ateşleyebilir.
- Bir elektrikli aletle çalışırken çocukları ve izleyicileri uzaklaştırın.**
Dikkatinizin dağılması kontrolü kaybetmenize neden olabilir.

2) Elektrik güvenliği

- Elektrikli aletin fişi elektrik prizine uygun olmalıdır.**
Fiş üzerinde herhangi bir değişiklik yapmayın.
Topraklanmış elektrikli aletlerle herhangi bir adaptör kullanmayın.
Fişlerde değişiklik yapılmaması ve uygun prizlerde kullanılmasına elektrik çarpması riskini azaltacaktır.
- Borular, radyatörler, fırınlar ve buzdolapları gibi topraklanmış yüzeylerle gövde temasından kaçının.**
Vücudunuzun toprakla temasa geçmesi halinde elektrik çarpması riski artar.
- Elektrikli aletleri yağmura veya ıslak ortamlara maruz bırakmayın.**
Elektrikli alete su girmesi elektrik çarpması riskini artıracaktır.
- Elektrik kablosuna zarar vermeyin. Kesinlikle elektrikli aleti taşımak, çekmek veya fişini prizden çıkarmak için kabloyu kullanmayın.**
Kabloyu ısıdan, yağdan, keskin kenarlardan veya hareketli parçalardan uzak tutun.
Hasar görmüş veya dolaşmış kablolar elektrik çarpması riskini artırır.
- Elektrikli aleti açık alanda kullanırken, açık alanda kullanıma uygun bir uzatma kablosu kullanın.**
Açık alanda kullanıma uygun bir kablo kullanılması elektrik çarpması riskini azaltır.
- Eğer bir elektrikli aletin ıslak bir yerde kullanılmasına kaçınılmaz ise, artık akım cihazıyla (RCD) korunan bir güç kaynağı kullanın.**
RCD kullanılması elektrik çarpması riskini azaltır.

3) Kişisel emniyet

- Bir elektrikli alet kullanırken daima tetikte olun;** yaptığınız işi izleyin ve sağduyulu davranın.
Aleti yorgunken, alkol veya ilaç etkisi altındayken kullanmayın.
Elektrikli aletleri kullanırken göstereceğiniz bir anlık dikkatsizlik ciddi yaralanmaya sonuçlanabilir.
- Kişisel koruyucu donanım kullanın. Daima koruyucu gözlük takın.**
Uygun koşullar için kullanılan toz maskesi, kaymaz emniyet ayakkabıları, kask veya kulak koruyucu gibi koruyucu ekipmanlar yaralanmalara azaltacaktır.

- Aletin istenmeden çalışmasını engelleyin.**
Aleti güç kaynağına ve/veya akü ünitesine bağlamadan, kaldırmadan veya taşımadan önce, güç düğmesinin kapalı konumunda olduğundan emin olun.
Elektrikli aletleri parmağınız güç düğmesinin üzerinde olarak taşımamız veya güç düğmesi açılmış durumda fişini takmamız kazalara davetiye çıkarır.

- Elektrikli aletin gücünü açmadan önce alet üzerindeki ayar veya somun anahtarlarını çıkarın.**
Aletin dönen parçalarından birine bağlı kalan bir somun anahtarı veya ayar anahtarı yaralanmaya yol açabilir.
- Çok uzanmayın. Uygun bir adım mesafesi bırakın ve sürekli olarak dengeyi koruyun.**
Böylece, beklenmedik durumlarda aleti daha iyi kontrol etmeniz mümkün olur.
- Uygun şekilde giyinin. Bol elbiseler giymeyin ve takı takmayın. Saçlarınızı, elbisenizi ve eldivenlerinizi hareketli parçalardan uzak tutun.**
Bol elbiseler, takılar veya uzun saçlar hareketli parçalarla takılabilir.
- Eğer toz çekme ve toplama bağlantıları için gerekli aygıtlar sağlanmışsa, bunların bağlı olduğundan ve doğru şekilde kullanıldığını emin olun.**
Toz toplama kullanımı, tozla ilişkili tehlikeleri azaltabilir.

4) Elektrikli aletin kullanımı ve bakımı

- Elektrikli aleti zorlamayın. Uygulamanız için doğru alet kullanın.**
Doğru alet, işinizi daha iyi ve tasarlanmış olduğu hız değerinde daha güvenli şekilde yapacaktır.
- Elektrikli alet güç düğmesinden açılıp kapanmıyorsa, aleti kullanmayın.**
Güç düğmesiyle kontrol edilemeyen bir alet tehlikelidir ve tamir edilmeden kullanılmamalıdır.
- Herhangi bir ayar yapmadan, aksesuarları değiştirmeden veya aleti saklamadan önce fişi güç kaynağından ve/veya akü ünitesinden sökün.**
Bu koruyucu güvenlik önlemleri, elektrikli aletin kazayla çalışma riskini azaltır.
- Atıl durumdaki elektrikli aletleri çocukların ulaşamayacağı bir yerde saklayın ve elektrikli alet ve bu kullanım talimatları hakkında bilgi sahibi olmayan kişilerden aleti kullanmasına izin vermeyin.**
Elektrikli aletler eğitimsiz kullanıcıların elinde tehlikelidir.
- Elektrikli aletlerin bakımını yapın. Hareketli parçalarda yanlış hizalanma veya sıkışma olup olmadığını, kırık parça olup olmadığını ve elektrikli aletin çalışmasını etkileyebilecek diğer koşulları kontrol edin.**
Eğer hasar varsa, kullanmadan önce aleti tamir ettirin.
Kazaların çoğu elektrikli aletlere kötü bakım işlemleri uygulanmasından kaynaklanmaktadır.
- Aletleri keskin ve temiz tutun.**
Uygun şekilde bakımı yapılan, keskin kenarlara sahip aletlerin sıkışma ihtimali daha azdır ve kontrol edilmesi daha kolaydır.
- Elektrikli aleti, aksesuarları, uçları, v.b., bu talimatlara uygun şekilde, çalışma koşullarını ve yapılacak işi göz önünde bulundurarak kullanın.**
Elektrikli aletin amaçlanan kullanımlardan farklı işlemler için kullanılması tehlikeli bir duruma yol açabilir.

5) Akülü aletin kullanımı ve bakımı

- Ünitesi sadece üretici tarafından belirtilen şarj cihazıyla şarj edin.**
Bir akü ünitesi tipi için uygun olan bir şarj cihazı başka tipte bir akü ünitesiyle kullanıldığında yangın riski yaratabilir.

- b) Elektrikli aletleri sadece özellikle belirtilen akü üniteleriyle kullanın.
Başka herhangi bir akü ünitesinin kullanılması yaralanma veya yangın riski yaratabilir.
- c) Akü ünitesini kullanılmadığı zamanlarda atarlardan, madeni paralardan, anahtarlardan, çivilerden, vidalardan veya terminaller arasında bağlantı oluşturabilecek diğer küçük metal nesnelere uzak tutun.
Akü kutuplarının kısa devre olması yanıklara veya yangına neden olabilir.
- d) Yanlış kullanım koşullarında aküden sıvı çıkışı olabilir; temas etmekten kaçının. Kazayla sıvıya temas edilmesi durumunda suyla yıkayın. Sıvının gözlerle temas etmesi halinde, ayrıca bir doktora başvurun.
Aküden fıskıran su tahriş veya yanıklara neden olabilir.
- 6) Servis
- a) Elektrikli aletinizin servisini sadece orijinal yedek parçalar kullanmak suretiyle uzman bir tamirciye yaptırın.
Böylece, elektrikli aletin güvenli kullanımını sağlanacaktır.

ÖNLEM

Çocukları ve akli dengesi yerinde olmayan kişileri uzak tutun.

Alet, kullanılmadığı zamanlarda çocukların ve akli dengesi yerinde olmayan kişilerin ulaşamayacağı bir yerde saklanmalıdır.

AKÜLÜ KAPLAMA ÇİVİ ÇAKMA MAKİNESİ/BRAD ÇİVİ ÇAKMA TABANCASI GÜVENLİK UYARILARI

- Aletin her zaman bağlantı elemanları içerdiğini varsayın.**
Çivi çakma makinesinin dikkatsiz bir şekilde kullanılması, beklenmedik bir şekilde bağlantı elemanlarının ateşlenmesiyle ve kişisel yaralanmayla sonuçlanabilir.
- Aleti kendinize veya yakındaki bir kişiye yöneltmeyin.**
Beklenmedik bir tetikleme, bağlantı elemanını boşaltarak yaralanmaya neden olacaktır.
- Alet iş parçasına doğru sıkıca yerleştirilmediği sürece aleti çalıştırmayın.**
Alet iş parçası ile temas etmezse bağlantı elemanı hedefinizin dışına sapabilir.
- Bağlantı elemanı alete sıkıştığında aleti güç kaynağından ayırın.**
Sıkışan bir bağlantı elemanını çıkarırken, çivi çakma makinesini prize takılıysa kazayla harekete geçirilebilir.
- Sıkışmış bir bağlantı elemanını çıkarırken dikkatli olun.**
Mekanizma sıkıştırma altında olabilir ve bağlantı elemanı sıkışmış durumu çözmeye çalışırken kuvvetli bir şekilde boşaltılabilir.
- Elektrik kablolarının sabitlenmesi için bu çivi çakma makinesini kullanmayın.**
Elektrik kablolarının montajı için tasarlanmamıştır ve elektrik kablolarının izolasyonuna zarar vererek elektrik çarpmasına veya yangın tehlikesine neden olabilir.

İLAVE GÜVENLİK UYARILARI

- Doğru kullanım ile güvenli çalışma.**
Bu alet, çivileri ahşap ve benzeri malzemelere çakmak için tasarlanmıştır. Sadece amacına uygun olarak kullanın.

2. Ateşleme ve patlamalara dikkat edin.

Çivi çakma esasında kıvılcımlar çıkabileceğinden, tutuşabilecekleri veya patlayabilecekleri için cila, boya, benzin, tiner, yakıt, gaz, yapışkanlar ve benzeri yanıcı maddelerin yakınında bu aleti kullanmak tehlikelidir. Bu nedenle bu alet hiçbir koşulda bu tür yanıcı maddelerin yakınında kullanılmamalıdır.

3. Daima göz koruması (koruyucu gözlük) kullanın.



Elektrikli aleti kullanırken daima göz koruması takın ve çevredeki kişilerin de göz koruması taktığından emin olun.

Düzgün şekilde çakılmamış çivi parçalarının göze girme ihtimali görme yeteneği için bir tehdittir. Göz koruması herhangi bir

hırdavatçıdan satın alınabilir. Bu aleti çalıştırırken daima göz koruması takın. Reçeteli gözlüklerin üzerinde göz koruması veya geniş bir görüş maskesi kullanın. İşverenler her zaman göz koruma ekipmanlarının kullanımını zorunlu kılmalıdır.

4. Kulaklarınızı ve başınızı koruyun.

Çivi çakma işiyle meşgulken lütfen kulak tıkaçları ve kafa koruyucusu giyin. Ayrıca, koşullara bağlı olarak çevredeki kişilerin de kulak tıkaçları ve kafa koruyucusu giymelerini sağlayın.

5. Size yakın çalışanlara dikkat edin.

Düzgün şekilde çakılmamış çivilerin başkalarına isabet etmesi çok tehlikeli olacaktır. Bu nedenle, bu aleti kullanırken çevrenizdeki insanların güvenliğine daima dikkat edin. Hiç kimsenin vücudunun, ellerinin veya ayaklarının çivi çıkış ağzına yakın olmadığından emin olun.

6. Çivi çıkış ağzını asla insanlara doğrultmayın.



Aletin her zaman bağlantı elemanı içerdiğini varsayın.

Çivi çıkış ağzı insanlara doğrultulursa, aleti yanlışlıkla boşaltarsanız ciddi kazalara neden olabilir. Bataryayı

bağlarken veya ayırırken, çivi yüklemesi veya benzeri işlemler sırasında, çivi çıkış ağzının (kendiniz de dahil) kimseye doğrultulmadığından emin olun. Hiçbir çivi yüklenmemiş olsa dahi, aleti birinin üzerine doğrulturken boşaltmak tehlikelidir, bu nedenle bunu yapmayı asla denemeyin. Eşek şakası yapmayın. Alete bir çalışma aracı olarak saygı duyun.

7. Kullanmadan önce itme kolunu kontrol edin.

İtme kolunun düzgün bir şekilde çalıştığından emin olun. (İtme kolu "Emniyet" olarak adlandırılabilir.) İtme kolu düzgün çalışmıyorsa çivi çakma makinesini asla kullanmayın, aksi takdirde çivi çakma makinesi beklenmedik bir şekilde bir bağlantı elemanı çakabilir. İtme kolunun kurcalamayın veya çıkarmayın, aksi takdirde itme kolu çalışmaz hale gelir.

8. Tetikleme yöntemi seçimi önemlidir.

273. sayfadaki "ÇİVİ ÇAKMA MAKİNESİNİN KULLANILMASI" başlıklı bölümü okuyun ve kavrayın.

9. Bu ürünü kullanmadan önce, 272. sayfadaki "Çivi çakma makinesini deneme" bölümünün içeriği ile uygun olarak düzgün bir şekilde çalıştığından emin olun.

10. Yalnızca belirtilen çivileri kullanın.

Bu talimatlarda belirtilen ve açıklananlardan başka çivi kullanmayın.

11. Bataryayı takarken dikkatli olun.

Aleti hatayla ateşlememek için bataryayı bağlarken ve çivileri yüklerken aşağıdakilerden emin olun.

- Tetiğe dokunmayın.
 - Ateşleme kafasının herhangi bir yüzeye temas etmesine izin vermayın.
 - Ateşleme kafasını aşağıda tutun.
- Yukarıdaki talimatlara sıkı sıkıya uyun ve vücudunuzun, elinizin veya bacağınızın herhangi bir bölümünün çivi çıkış ağzının önünde bulunmadığından daima emin olun.

Türkçe

12. Parmağınızı tetiğe dikkatsizce yerleştirmeyin.

Çivi çakma işi yapmadığınız zamanlarda parmağınızı tetiği koymayın. Parmağınız tetiğin üzerindeyken bu aleti taşırsanız veya birisine teslim ederseniz, yanlışlıkla çiviyi boşaltabilir ve böylece bir kazaya neden olabilirsiniz.

13. Çivi çıkılış ağzını çivilenecek malzemeye sıkıca bastırın.

Çivileri çakarken çivi çıkış ağzını çivilenecek malzemeye sıkıca bastırın. Çıkış ağzı uygun şekilde kullanılmazsa çiviler sekebilir.

14. Kullanırken el ve ayakları ateşleme kafasından uzak tutun.



Bir çivinin yanlışlıkla ellere veya ayaklara isabet etmesi çok tehlikelidir.

15. Aletin geri tepmesinden sakının.

Çalışma sırasında aletin üst kısmına kafanızla, vb. ile yaklaşmayın. Bu tehlikelidir çünkü çakılmakta olan çivi, bir önceki çivi veya ağaçtaki bir budak ile temas ettiğinde alet şiddetle geri tepebilir.

16. Geri tepme nedeniyle çift ateşleme konusunda dikkatli olun.

Geri tepme sonrasında itme kolunun kasıtlı olmayan bir şekilde iş parçasına yeniden temas etmesine izin verilirse istenmeyen bir bağlantı elemanı çakılacaktır. Bu istenmeyen çift ateşlemeyi önlemek için

- Aralıklı çalışma (Tetikle ateşleme)
- Değiştirme cihazını TAM SIRALI ETKİME MEKANİZMASI olarak ayarlayın.

- 1) Tetiği hızlı ve güçlü bir şekilde çekin.
- Sürekli çalışma (Itme koluyla ateşleme)
- 1) Çivi çakma makinesini aşıba karşı aşırı güç kullanarak bastırmayın.
- 2) Çaktıktan sonra geri teperken çivi çakma makinesini aşışaktan çekin.

17. İnce tahtaları veya ahşabın köşelerini çivilerken dikkatli olun.

İnce levhaları çivilerken, çivilerin sapağının dolayı ahşabın köşelerini çivilerken olabileceği gibi çiviler tam içinden geçebilir. Bu gibi durumlarda, çivileyeceğiniz ince tahtanın arkasında veya ahşabın yanında hiç kimsenin (ve kimsenin el veya ayaklarının, vb.) bulunmadığından daima emin olun.

18. Aynı duvarın her iki tarafına aynı anda çivi çakılması tehlikelidir.

Hiçbir suretle aynı anda bir duvarın her iki yanına çivi çakılmamalıdır. Çiviler duvardan geçip yaralanmalara neden olabileceğinden bu çok tehlikeli olabilir.

19. Elektrikli aleti yapı iskelelerinde, merdivenlerde kullanmayın.

Elektrikli alet aşağıda örnekleri verilen özel uygulamalar için kullanılmamalıdır:

- bir çakma konumundan diğerine geçiş, iskele, merdiven veya çatı çitaları gibi merdiven benzeri konstrüksiyonların kullanımını gerektirdiğinde,
- kutuların veya sandıkların kapatılması,
- ulaşım güvenlik sistemlerinin örneğin araçlara ve vagonlara takılması

20. Aşağıdaki durumlarda kalan bağlantı elemanlarını ve bataryayı çivi çakma makinesinden çıkarın:

- 1) bakım ve kontrol yaparken;
- 2) itme kolu ve tetiğin düzgün çalışıp çalışmadığını kontrol ederken;
- 3) uç kapağını takarken veya çıkarırken;
- 4) bir sıkışmayı giderirken;
- 5) kullanımda değilken;
- 6) çalışma alanından ayrılırken;
- 7) başka bir yere taşırken ve
- 8) başka bir kişiye teslim ederken.

Bataryayı ve kalan tüm bağlantı elemanlarını Çivi Çakma Makinesinden çıkarmadıkça bir sıkışmayı gidermeye veya Çivi Çakma Makinesini tamir etmeye çalışmayın. Çivi Çakma Makinesi, asla gözetimsiz bırakılmamalıdır çünkü Çivi Çakma Makinesine aşına olmayan kişiler onu kullanabilir ve kendilerini yaralayabilir.

21. Bataryayı şu durumlarda çivi çakma makinesinden çıkarın:

- 1) çivileri doldururken;
- 2) ayarlayıcıyı çevirirken.

22. Bataryanın bağlantısını kesin.

Uç kapağını takarken veya çıkarırken bataryanın bağlantısını kesin.

Aksesuar uç kapağını itme kolunun ucuna takarken veya çıkarırken pilin bağlantısını önceden kestiğinizden emin olun. Bir çivinin yanlışlıkla ateşlenmesi çok tehlikelidir.

23. Bu cihaz için çalışma ortamı 0°C ila 40°C arasındadır bu yüzden bu sıcaklık aralığında kullanılmasını sağlayın. Cihaz 0°C altında veya 40°C üzerinde çalışmayabilir.

24. Her zaman bataryayı 0–40°C'lik bir ortam sıcaklığında şarj edin.

0°C'den daha düşük bir sıcaklık, tehlikeli bir durum olan aşırı şarj edilmesine neden olacaktır. Batarya, 40°C'den yüksek bir sıcaklıkta şarj edilemez. En uygun şarj sıcaklığı 20–25°C'dir.

25. Şarj cihazını sürekli olarak kullanmayın.

Bir şarj işlemi tamamlandığında, bir sonraki batarya şarj işlemini başlatmak için yaklaşık 15 dakika bekleyin.

26. Şarj edilebilir batarya bağlantı deliğine yabancı madde girmesine izin vermeyin.

27. Kesinlikle şarj edilebilir bataryayı ve şarj cihazını sökmeyin.

28. Kesinlikle şarj edilebilir bataryayı kısa devre yapmayın.

Bataryanın kısa devre olması büyük bir elektrik akıma ve aşırı ısınmaya neden olacaktır. Bu, bataryanın yanmasına veya hasar görmesine yol açar.

29. Bataryayı ateşe atmayın.

Eğer batarya yanıyorsa patlayabilir.

30. Tükenmiş bir bataryanın şarj edilmesi şarj cihazına hasar verir.

31. Şarj sonrası batarya ömrü pratik kullanım için çok kısıldığında bataryayı derhal satın aldığınız mağazaya götürün.

Ömrü tükenen bataryayı atmayın.

32. Şarj cihazının havalandırma deliklerine nesnelere sokmayın.

Şarj cihazının havalandırma deliklerine metal nesnelere veya yabancı maddeler sokulması, elektrik çarpması tehlikesine ve şarj cihazının hasar görmesine yol açacaktır.

33. Çivi çakma makinesinin içerisinde bir manyetik sensör bulunduğundan miktatsız (veya benzeri manyetik aygıtların) çivi çakma makinesinin yakınında olmasına ASLA izin vermeyin.

Bunun yapılması arızaya veya anızadan dolayı yaralanma riskine neden olacaktır.

34. Ünitinin sürekli çalışmadan sonra dinlendirilmesi.

35. Elektrikli alet, motoru korumak için bir sıcaklık koruma devresiyle donatılmıştır. Sürekli çalışma, ünite sıcaklığının yükselmesine sebep olabilir.

Bu da sıcaklık koruma devresini etkinleştirir ve çalışmayı otomatik olarak durdurur. Böyle bir durum meydana gelirse, kullanıma devam etmeden önce elektrikli aletin soğumasını bekleyin.

36. Bu ürün, bir anormallik tespit edildiğinde çalışmayı durdurabilir. Bu gibi durumlarda, 277. sayfadaki "SORUN GİDERME" başlığı altında listelenen öğeleri kontrol edin.

37. Düşme paneline güçlü bir darbeye bulunmayın veya paneli kırmayın. Soruna yol açabilir.

38. Alet veya batarya terminalleri (batarya montajı) deforme olmuşsa ürünü kullanmayın.

Bataryayı takmak duman çıkmasına ya da tutuşmaya neden olabilecek bir kısa devreye neden olabilir.

39. Aletin terminallerini (batarya montajı) talaş ve tozdan uzak tutun.

- Kullanmadan önce terminaller bölgesinde talaş ve toz birikmediğinden emin olun.
 - Kullanım sırasında aletin üzerindeki talaş veya tozun bataryanın üzerine düşmesini engellemeye çalışın.
 - Çalışmayı askıya aldıktan veya kullandıktan sonra, aleti düşen talaş veya toza maruz kalabileceği bir yerde bırakmayın.
- Bunun yapılması duman çıkmasına ya da tutuşmaya neden olabilecek bir kısa devreye neden olabilir.

LİTYUM-İYON BATARYAYLA İLGİLİ UYARI

Çalışma ömrünü uzatmak için, lityum-iyon bataryada çıkışı durdurun bir koruma işlevi mevcuttur.

Aşağıda açıklanan 1 ila 3 durumlarında, bu ürünü kullanırken anahtar çekiyor olsanız bile motor durabilir. Bu bir arıza değil koruma işlevinin bir sonucudur.

1. PİL enerjisi tükendiğinde motor durur.
Böyle bir durumda bataryayı derhal şarj edin.
2. Eğer alete fazla yüklenilirse motor durabilir. Böyle bir durumda aletin anahtarını serbest bırakın ve aşırı yüklemenin sebeplerini ortadan kaldırın. Bunun ardından aleti tekrar kullanabilirsiniz.
3. Eğer batarya aşırı iş koşulunda fazla ısınır, batarya gücü kesilebilir.
Bu durumda, bataryayı kullanmayı keserek soğumasını bekleyin. Bunun ardından aleti tekrar kullanabilirsiniz.

Ayrıca, lütfen aşağıdaki uyarı ve ikazları dikkate alın.

UYARI

Herhangi bir batarya sızıntısına, ısı üretilmesine, duman yayılmasına, patlamaya ve erken ateşlemeye meydan vermemek için, lütfen aşağıdaki uyarıları dikkate alın:

1. Batarya üzerinde talaş ve toz birikmediğinden emin olun.
- Çalışma sırasında batarya üzerine talaş ve toz dökülmediğinden emin olun.
- Çalışma sırasında elektrikli alet üzerine dökülen talaş ve tozun batarya üzerinde birikmediğinden emin olun.
- Kullanılmayan bir bataryayı talaşa ve toza maruz kalan bir yerde saklamayın.
- Bir bataryayı saklamadan önce, üzerine yapılabilecek talaş ve tozu temizleyin ve metal parçaları (vida, çivi, v.b.) birlikte saklamayın.
2. Bataryayı çivi benzeri keskin nesnelere delmeyin; çekiçle vurmayın; üzerine basmayın; atmayın ve şiddetli fiziksel darbeye maruz bırakmayın.
3. Açıkça hasarlı veya deforme olduğu görülen bataryayı kullanmayın.
4. Bataryayı kutuplarını ters bağlayarak kullanmayın.
5. Doğrudan elektrik prizlerine veya çakmak soketlerine bağlamayın.
6. Bataryayı belirtilenler dışında herhangi bir amaç için kullanmayın.
7. Eğer belirtilen şarj etme süresi geçmesine rağmen batarya tamamen şarj olmuyorsa, derhal şarj işlemini durdurun.
8. Bataryayı mikrodalga fırın, kurutucu veya yüksek basınçlı kaplar gibi ortamlardaki yüksek sıcaklık veya basınçlara maruz bırakmayın.
9. Sızıntı görülmesi veya kötü koku algılanması durumunda derhal ateşten uzaklaşın.
10. Güçlü statik elektrik üretilen bir yerde kullanmayın.
11. Eğer batarya sızıntısı, kötü koku, ısı üretilmesi, renk solması veya deformasyon varsa veya kullanım, şarj işlemi veya saklama sırasında herhangi bir şekilde anormallik görülürse, derhal cihazdan veya batarya şarj cihazından çıkarın ve kullanmayı kesin.

12. Bataryayı suya daldırmayın veya içinde herhangi bir sıvının akmasına izin vermeyin. Su gibi iletken sıvıların girişi, yangın veya patlama ile sonuçlanan hasarlara neden olabilir. Bataryanızı yanıcı ve parlayıcı maddelerden uzak, serin, kuru bir yerde saklayın. Aşındırıcı gaz ortamlarından kaçınılmalıdır.

İKAZ

1. Eğer bataryadan sıızan sıvı gözlerinize kaçarsa, gözlerinizi ovuşturmayın; hemen temiz suyla iyice yıkayın ve derhal bir doktora başvurun.
Bataryadan sıızan bu sıvı, tedavi uygulanmaması durumunda göz problemlerine neden olabilir.
2. Eğer sıvı cildinizle veya elbiselerinizle temas ederse, derhal temiz suyla yıkayın.
Sıvı, cilt tahrişine neden olabilir.
3. Eğer bataryayı ilk defa kullandığınızda pas, kötü koku, deformasyon ve/veya başka anormallikler saptarsanız, bataryayı kullanmayın ve derhal tedarikçisine veya satışına iade edin.

UYARI

Lityum iyon bataryanın kutbuna bir iletken yabancı madde girerse, batarya kısa devre olarak yangına neden olabilir. Lityum iyon bataryayı saklarken, aşağıdaki kurallara kesinlikle uyun.

- Saklama muhafazasına iletken döküntüler, çiviler veya demir tel ve bakır tel gibi teller koymayın.
- Kısa devre oluşmasını engellemek için, bataryayı alete takın veya saklamak için vantilatör görülmeeye kadar batarya kapağını emniyetli şekilde yerleştirin.

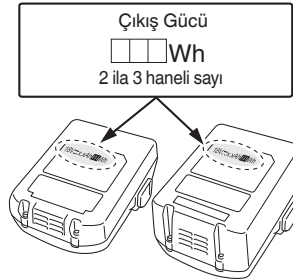
LİTYUM İYON BATARYANIN TAŞINMASI İLE İLGİLİ

Bir lityum iyon bataryayı taşırken, lütfen aşağıdaki önlemlere uyun.

UYARI

Taşıma şirketine lityum iyon batarya içeren bir paket olduğunu ve bataryanın çıkış gücünü bildirin ve taşımayı ayarlarken taşıma şirketinin talimatlarına uyun.

- Çıkış gücü 100 Wh'ı aşan lityum iyon bataryalar Tehlikeli Malların nakliye sınıfı kapsamında değerlendirilir ve özel uygulama prosedürleri gerektirir.
- Yurt dışına taşıma için, uluslararası kanunlara ve varış ülkesinin kuralları ve yönetmeliklerine uymazın gerekir.

**PARÇA ADLARI (Şek. 1 – Şek. 28)**

①	Üst kapak
②	Tetik
③	LED lamba
④	Ateşleme kafası (çıkış ağız)
⑤	İtme kolu
⑥	Çivi besleyici (A)

Türkçe

⑦	Çivi besleyici (B)
⑧	Kartuş
⑨	Kanca
⑩	Pil
⑪	Anahtar kilitleme kolu
⑫	Tutacak
⑬	Durdurma kolu
⑭	Batarya gösterge düğmesi
⑮	Batarya göstergesi
⑯	Çivileme işlemi düğmesi
⑰	Güç göstergesi
⑱	Güç düğmesi
⑲	Çivileme işlemi göstergesi
⑳	Çivi şeridi
㉑	Kartuş kapağı
㉒	Kanal
㉓	Bıçak kılavuzu
㉔	Ayarlayıcı
㉕	Kanca levhası
㉖	Uç kapağı
㉗	Kilit kolu
㉘	Kılavuz levhası

SEMBOLLER

UYARI

Aşağıda, bu makine için kullanılan simgeler gösterilmiştir. Makineyi kullanmadan önce bu simgelerin ne anlama geldiğini bildiğinizden emin olun.

	<p>NT 1865DBAL: Akülü Kaplama Çivi Çakma Makinesi</p> <p>NT 1865DBSL: Akülü Kaplama Çivi Çakma Makinesi</p> <p>NT 1850DBSL: Akülü Brad Çivi Çakma Tabancası</p>
	Kullanıcı yaralanma riskini azaltmak için kullanım kılavuzunu okumalıdır.
	Sadece AB ülkeleri için Elektrikli aletleri evdeki çöp kutusuna atmayın! Kullanım ömrünü dolduran elektrikli aletler, atık elektrikli ve elektronik cihazlarla ilgili 2012/19/AB Avrupa Direktifine ve bu Direktifin ulusal kanunlar çerçevesinde uygulanma şekline göre ayrı olarak toplanmalı ve çevre şartlarına uygun bir geri dönüşüm tesisine gönderilmelidir.
	Doğru akım
	AÇMA

	KAPAMA
	Pili çıkartın
	Güç düğmesi
	Güç düğmesi KAPALI
	Güç düğmesi AÇIK Güç göstergesi: Yeşil yanar
	Çivileme işlemi düğmesi
	TAM SIRALI ETKİME MEKANİZMASI
	TAM SIRALI ETKİME MEKANİZMASI modu Çivileme işlemi göstergesi: Mavi yanar
	TEMASLA ETKİME MEKANİZMASI
	TEMASLA ETKİME MEKANİZMASI modu Çivileme işlemi göstergesi: Mavi yanıp söner
	Tetik kilitle
	Tetik kilidi açık
	Batarya gösterge düğmesi
	Kalan batarya gücü yeterli Batarya göstergesi: 2 LED (Kırmızı) yanıyor
	Kalan batarya gücü yaklaşık yarı seviyede. Pil göstergesi: 1 LED (Kırmızı) yanıyor
	Batarya gücü bitmek üzere. Bataryayı en kısa sürede şarj edin. Batarya göstergesi: 1 LED (Kırmızı) yanıp söner
	Kontrol için HiKOKI ile iletişim kurun. Batarya göstergesi: 2 LED Turuncu yanıp söner, 10 saniye sonra Güç düğmesi otomatik olarak kapanır.
	Siğ taraf
	Derin taraf
	Uyarı
	Yasaklanmış eylem

TEKNİK ÖZELLİKLER

1. Akülü Kaplama Çivi Çakma Makinesi

Model	NT1865DBAL		NT1865DBSL	
Motor	DC Fırçasız		DC Fırçasız	
Kullanılabilir Çivi	15 Ga (Açı: 34°)		16 Ga	
Kullanılabilir Çivi Uzunluğu	32 mm ila 65 mm		25 mm ila 65 mm	
Çivi Yükleme kapasitesi [çivi]	100 (1 şerit)		100 (2 şerit)	
Ateşleme modu	Tam sıralı/Temas (Seçilebilir)		Tam sıralı/Temas (Seçilebilir)	
Çevrim hızı	[çivi/saniye]	3 (Aralıklı)		3 (Aralıklı)
Batarya	Model	BSL1830C	BSL1830C	BSL1850
	Tip	Li-iyon batarya		
	Voltaj	DC 18 V		
Ağırlık*	3,5 – 4,1 kg		3,4 – 4,0 kg	
Boyut	Yükseklik × Uzunluk × Genişlik	344 mm × 300 mm × 104 mm	315 mm ×	315 mm ×
			298 mm ×	310 mm ×
			104 mm	104 mm

* EPTA-Prosedürü 01/2014'e göre
Takılan bataryaya bağlıdır. En fazla ağırlık BSL36B18 (haricen satılır) ile ölçülür.

2. Akülü Brad Çivi Çakma Tabancası

Model	NT1850DBSL		
Motor	DC Fırçasız		
Kullanılabilir Çivi	18 Ga		
Kullanılabilir Çivi Uzunluğu	16 mm ila 50 mm		
Çivi Yükleme kapasitesi [çivi]	100 (1 şerit)		
Ateşleme modu	Tam sıralı/Temas (Seçilebilir)		
Çevrim hızı	[çivi/saniye]	3 (Aralıklı)	
Batarya	Model	BSL1830C	BSL1850
	Tip	Li-iyon batarya	
	Voltaj	DC 18 V	
Ağırlık*	3,3 – 4,0 kg		
Boyut	Yükseklik × Uzunluk × Genişlik	323 mm × 298 mm	323 mm × 310 mm
		× 104 mm	× 104 mm

* EPTA-Prosedürü 01/2014'e göre
Takılan bataryaya bağlıdır. En fazla ağırlık BSL36B18 (haricen satılır) ile ölçülür.

3. Batarya Şarj Cihazı

Model	UC18YFSL	UC18YML2
Şarj gerilimi	DC 14,4 – 18 V	
Ağırlık	0,5 kg	0,7 kg

NOT

HiKOKI'nin sürekli araştırma ve geliştirme çalışmaları nedeniyle, burada belirtilen teknik özelliklerde önceden haber verilmeden değişiklik yapılabilir.

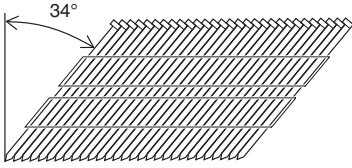
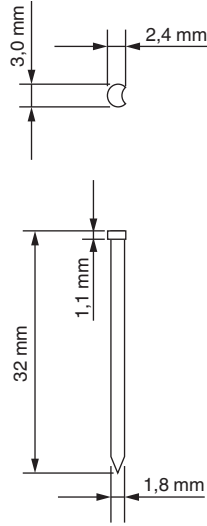

Türkçe

ÇİVİ SEÇİMİ

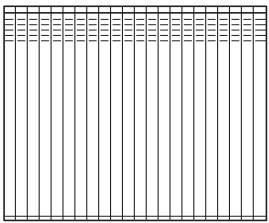
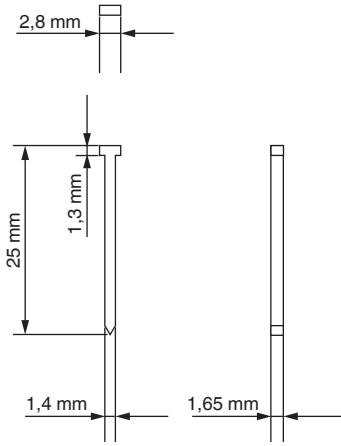

Bu çivi çakma makinesiyle yalnızca aşağıdaki Tabloda gösterilen çiviler çakılabilir.

Çivi boyutları

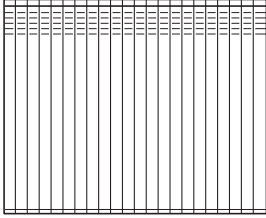
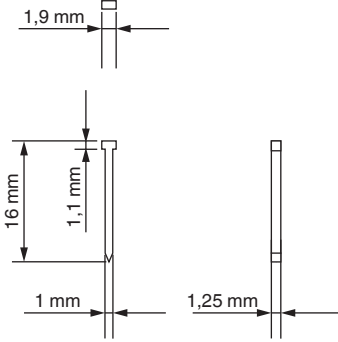

<NT1865DBAL>

	Min.	Maks.
<p>15 Gauge kaplama çivileri (Açı: 34°)</p> 		

<NT1865DBSL>

	Min.	Maks.
<p>16 Gauge kaplama çivileri (düz)</p> 		

<NT1850DBSL>

	Min.	Maks.
<p>18 Gauge brad çiviler (düz)</p> 		
	35 mm uzunluğundaki çiviler hariç	

STANDART AKSESUARLAR

Ana üniteye (1 ünite) ilave olarak, ambalajda sayfa 378'te listelenen aksesuarlar yer alır

Standart aksesuarlar haber vermeden değiştirilebilir.

UYGULAMALAR

<NT1865DBAL, NT1865DBSL>

- Bordürlerin yanı sıra kapılar ve pencerelerin etrafındaki pervazlar için bitirme işlemi olarak çivileme.
- Çekmecelerin altını sabitleme. Çeşitli kutular ve dolaplar yapma.

<NT1850DBSL>

- Dolap ve resim çerçevesi montajı, mobilya bordürleri.
- Yerinde ve mobil ev bordürleri ve kalıplama.

ŞARJ ETME

Elektrikli aleti kullanmadan önce bataryayı aşağıdaki şekilde şarj edin.

1. Güç kaynağına bağlayın. (Şek. 3)

Bataryayı bir AC güç kaynağından şarj ederken

- Şarj cihazının güç kablosu fişini prize takın. Şarj makinesinin elektrik fişini bir prize takın, şarj durum lambası kırmızı renkte yanıp sönmeye başlayacaktır (1 saniye aralıklarla).

İKAZ

Eğer hasar görmüşse, elektrik kablosunu kullanmayın. Derhal tamir ettirin.

Bataryayı bir otomobil-içi DC 12V güç kaynağından (UC18YML2) şarj ederken

- Batarya şarj makinesini otomobil içinde yerine sabitleyin. Batarya şarj makinesiyle birlikte gelen kayış kullanarak batarya şarj makinesini yerine bağlayın ve istenmeden hareket etmesini engelleyin. (Bkz: Şek. 28)

İKAZ

Batarya şarj makinesini veya bataryayı sürücü koltuğunun altına yerleştirmeyin. Batarya şarj makinesini yerine sabitlemek suretiyle istenmeden hareket ederek kazaya neden olma riskini ortadan kaldırın.



Şek. 28

- Çakmak bağlantı fişini çakmak soketine takın. Eğer fiş gevşekse ve çakmak soketinden düşüyorsa, soketi tamir edin. Soket arızalı olabileceğinden, bölgenizdeki otomobil bayisiyle irtibata geçmeniz tavsiye edilir. Soketin sürekli kullanılması, aşın ısınma nedeniyle bir kazaya neden olabilir.
- 2. **Bataryayı şarj makinesine takın**
Şek. 3'te gösterildiği gibi bataryayı çizgi görünür olana kadar şarj cihazının içine sağlam bir şekilde yerleştirin. Çizgiler UC18YFSL üzerinde gösterilmez. Bataryanın sıkıca yerine oturduğundan emin olun.
- 3. **Şarj etme**
Bataryayı şarj cihazına taktığınızda şarj işlemi başlar ve pilot lamba sürekli kırmızı yanar. Batarya tamamen şarj olduğunda pilot lamba kırmızı renkte yanıp sönecektir. (1 saniye aralıklarla) (Bkz: Tablo 1)
- (1) Pilot lamba göstergesi
Pilot lamba bildirimleri, şarj makinesinin veya şarj edilebilir bataryanın durumuna göre Tablo 1'de gösterilmiştir.

Türkçe

Tablo 1

<UC18YFSL>

Pilot lamba bildirimleri			
Pilot lamba (kırmızı)	Şarj öncesinde	Yanıp söner	0,5 saniye yanar. 0,5 saniye yanmaz. (0,5 saniye kapalıdır)
	Şarj sırasında	Yanar	Sürekli yanar.
	Şarj tamamlandığında	Yanıp söner	0,5 saniye yanar. 0,5 saniye yanmaz. (0,5 saniye kapalıdır)
	Aşırı ısınma bekleme modu	Yanıp söner	1 saniye yanar. 0,5 saniye yanmaz. (0,5 saniye kapalıdır)
	Şarj yapılmıyor	Titreşir	0,1 saniye yanar. 0,1 saniye yanmaz. (0,1 saniye kapalıdır)
			Batarya aşırı ısınmış. Şarj yapılmıyor. (Batarya soğuduğunda şarj işlemi başlayacaktır)
			Batarya veya şarj cihazı arızalı

<UC18YML2>

Pilot lamba bildirimleri			
Pilot lamba kırmızı yanar veya yanıp söner.	Şarj öncesinde	Yanıp söner	0,5 saniye yanar. 0,5 saniye yanmaz. (0,5 saniye kapalıdır)
	Şarj sırasında	Yanar	Sürekli yanar.
	Şarj tamamlandığında	Yanıp söner	0,5 saniye yanar. 0,5 saniye yanmaz. (0,5 saniye kapalıdır)
	Şarj imkansız	Titreşir	0,1 saniye yanar. 0,1 saniye yanmaz. (0,1 saniye kapalıdır)
			Batarya veya şarj makinesi arızalı.
Pilot lamba yeşil yanar veya yanıp söner.	Aşırı ısınma bekleme modu	Yanar	Sürekli yanar.
	Otomobil-içi güç kaynağıyla şarj işlemi yapılmıyor	Yanıp söner	0,5 saniye yanar. 0,5 saniye yanmaz. (0,5 saniye kapalıdır)
			Batarya aşırı ısınmış. Şarj yapılmıyor. (Batarya soğuduğunda şarj işlemi başlayacaktır)
			DC 12 V kaynağı arızalı

NOT: Bataryayı soğutmak için bekleme moduna girildiğinde, UC18YML2 soğutma fanıyla ısınan bataryayı soğutur. (Bununla birlikte, batarya bir DC 12 V otomobil-içi güç kaynağıyla şarj edildiğinde soğutucu fan çalışmaz.)

- (2) Şarj edilebilir bataryanın sıcaklığıyla ilgili olarak Şarj edilebilir bataryalar için sıcaklıklar, **Tablo 2'de** gösterildiği gibidir. Isınan bataryalar, şarj edilmeden önce bir süre soğutulmalıdır.

Tablo 2 Bataryaların şarj aralıkları

Şarj edilebilir bataryalar	Bataryaların şarj edilebileceği sıcaklık aralığı
BSL1830C, BSL1850	0°C – 50°C

- (3) Şarj süresi hakkında Şarj cihazı ve bataryaların kombinasyonuna bağlı olarak şarj süresi **Tablo 3'te** gösterildiği gibi olacaktır.

Tablo 3 Şarj süresi (20°C'de)
(AC güç kaynağı/DC 12 V (araç içi) güç kaynağı)

Batarya	Şarj cihazı	UC18YFSL	UC18YML2
BSL1830C		Yaklaşık 45 dak.	Yaklaşık 45/120 dak.
BSL1850		Yaklaşık 75 dak.	Yaklaşık 75/200 dak.

NOT

Şarj süresi, ortam sıcaklığına ve güç kaynağının voltajına göre farklılık gösterebilir.

<UC18YML2>

Özellikle, bir DC 12V otomobil-içi güç kaynağı yüksek sıcaklıklarda daha uzun şarj süresi isteyebilir.

İKAZ

Batarya şarj makinesi sürekli olarak kullanıldığında ısınarak arızalara sebebiyet verebilir. Şarj işlemi tamamlandıktan sonra, bir sonraki şarj işlemine başlamadan önce 15 dakika bekleyin.

4. Şarj makinesinin elektrik kablosunu prizden veya çakmak soketinden çıkarın.

5. Şarj makinesini sıkıca tutun ve bataryayı çekerek çıkarın.

NOT

Şarj işleminden sonra bataryayı makineden çıkardığınızdan emin olun.

Yeni bataryalar, vb. durumundaki elektrik boşalmasıyla ilgili

Yeni bataryaların dahili kimyasal maddeleri ve uzun bir süre boyunca kullanılmayan bataryalar aktif hale getirilmiş olmadığı için, birinci ve ikinci kez kullanımlarında elektrik boşalması düşük olabilir. Bu geçici bir olaydır ve bataryaları 2 - 3 kez şarj ederek şarj etmek için gerekli olan normal süre eski haline gelecektir.

Bataryanın daha uzun süre çalışması için yapılması gerekenler.

- (1) Bataryaları tamamen tükenmeden önce yeniden şarj edin. Aletin gücünün azaldığını hissettiğiniz zaman, aleti kullanmayı durdurun ve bataryayı yeniden şarj edin. Aleti kullanmaya devam edersiniz ve elektrik akımını tüketirseniz, batarya hasar görebilir ve ömrü kısılacaktır.
- (2) Yüksek sıcaklıklarda şarj etmekten kaçının. Şarj edilebilir bir batarya kullanımdan hemen sonra sıcak olacaktır. Bu şekildeki bir batarya kullanımdan hemen sonra şarj edilirse, dahili kimyasal maddesi bozulacak ve batarya ömrü kısılacaktır. Bataryayı kenara koyun ve bir süre soğuduktan sonra yeniden şarj edin.

İKAZ

- Batarya doğrudan güneş ışığına maruz kaldığı bir yerde uzun süre bırakıldığı ya da kullanıldığı için ısınmışken şarj edilirse şarj cihazının pilot lambası 1 saniye boyunca yanar, 0,5 saniye boyunca yanmaz (0,5 saniye boyunca kapalıdır) (UC18YFSL) veya yeşil yanar. (UC18YML2). Böyle bir durumda, öncelikle akünün soğumasını bekleyin, ardından şarj işlemini başlatın.
- Pilot lamba kırmızı yanıp sönerse (0,2 saniyelik aralıklarla), şarj makinesinin akü konektöründe yabancı nesnelere olup olmadığını kontrol edin ve varsa temizleyin. Yabancı nesne yoksa, muhtemelen batarya veya şarj makinesi arıza yapmış demektir. Hemen yetkili Servis Merkezi'ne götürün.
- Dahili mikro bilgisayarın, UC18YFSL/UC18YML2 ile şarj edilmekte olan bataryanın çıkarıldığını onaylaması yaklaşık 3 saniye süreceğinden, şarja devam etmek için bataryayı yeniden takmadan önce en az 3 saniye bekleyin. Batarya 3 saniye dolmadan yeniden takılırsa, doğru şarj edilmeyecebilir.
- Pilot lambası yeşil yanıp sönerse (1 saniyelik aralıklarla) araç içi güç kaynağının voltajını kontrol edin. (UC18YML2) Eğer gerilim 12 V veya daha düşük ise otomobil aküsü zayıflamış ve şarj yapamıyor demektir.
- Eğer şarj makinesinin kablosunun fişi veya çakmak bağlantı fişi güce bağlandığında bile şarj durum lambası (saniyede bir) kırmızı renkte yanıp sönmese şarj makinesinin koruma devresi etkinleşmiş olabilir. Fişi prizden çıkarın ve 30 saniye kadar bekledikten sonra tekrar takın. Eğer bu işlem şarj durum lambasının (saniyede bir) kırmızı renkte yanıp sönmelerini sağlamazsa lütfen şarj makinesini HIKOKI Yetkili Servis Merkezine götürün.

KULLANMADAN ÖNCE

İşlem	Şekil	Sayfa
Bataryayı çıkarma ve takma	2	379
Şarj etme	3	380
Aksesuarların seçilmesi	—	385

1. İşlem panelinin kullanılması

(1) Güç düğmesi AÇIK (Bkz. **Şek. 4**)

"Güç düğmesi KAPALI" durumda Güç düğmesini 1 saniyeden uzun süre basılı tutun ardından güç göstergesi Yeşil yanacaktır.

NOT

Güç düğmesini AÇIK duruma getirme işlemi sırasında itme koluna basmayın ve/veya tetiği çekmeyin.

Bunun yapılması güç düğmesinin AÇIK duruma gelmesini önleyecektir.

[Otomatik kapanma]

Güç açık durumdayken Çivi çakma makinesi 30 dakika boyunca kullanılmazsa Çivi Çakma Makinesi otomatik olarak kapanır. Tekrar açmak için güç düğmesine basın.

UYARI

Çivi Çakma Makinesini hiçbir zaman açık durumda bırakmayın. Bu bir kazaya neden olabilir.

(2) Güç düğmesi KAPALI (Bkz. **Şek. 4**)

"Güç düğmesi AÇIK" durumda Güç düğmesini 1 saniyeden uzun süre basılı tutun ardından güç göstergesi sönecektir. "Güç şalteri AÇIK" durumda aşağıdaki işlevler etkindir.

(3) Çivileme işlemini modunu seçin

(Tam sıralı etkime/Temasla etkime)

Güç düğmesi AÇIK konuma getirildikten sonra, her zaman en başta Tam sıralı etkime moduna ayarlayın. (Çivileme işlemi göstergesi mavi yanar.) (Bkz. **Şek. 5**)

Çivileme işlemi modunu değiştirmek için Çivileme işlemi düğmesine bir kez basın. Her basışta mod "Tam sıralı" ve "Temas" arasında değişecektir. (Bkz. **Şek. 6**)

Aydınlatma (Mavi):

TAM SIRALI ETKİME MEKANİZMASI,

Yanıp Sönüyor (Mavi):

TEMASLA ETKİME MEKANİZMASI

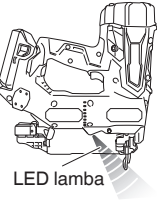
(4) Kalan batarya seviyesini kontrol edin

Batarya göstergesi düğmesinin bastığınızda batarya göstergesi, Kalan batarya seviyesini aşağıda gösterildiği gibi LED lambanın durumu ile gösterir.

Göstergenin durumu	
	Kalan batarya gücü yeterli.
	Kalan batarya gücü yaklaşık yarı seviyede.
	Batarya gücü bitmek üzere. Bataryayı en kısa sürede şarj edin.

Türkçe

- (5) Diğer işlevler
İşlem hatası halinde LED lambalar aşağıdaki gibi yanar.

Göstergenin durumu	
 <p>LED lamba belirli bir aralıkta yanıp sönüyor.</p> <ul style="list-style-type: none">• Çok sıcak olması durumunda 1 saniyelik aralıklarla Yanıp Söner.• Çok soğuk olması durumunda 0,5 saniyelik aralıklarla Yanıp Söner. <p>10 saniye sonra LED lambası ve Güç düğmesi otomatik olarak kapanır.</p>	<p>Makine çok soğuk (-5°C'nin altında) veya çok sıcak durumda.</p> <p>Çivi çakma makinesinin yeterli koşullarda iyice soğumasına veya ısınmasına izin verin.</p>
 <p>2 LED Turuncu yanıp söner, 10 saniye sonra Güç düğmesi otomatik olarak kapanır.</p>	<p>Kontrol için HiKOKI ile iletişim kurun.</p>




- (6) LED lambanın kullanılması (Bkz. **Şek. 7**)
Güç düğmesi açıkken, LED lamba aletin uç kısmını otomatik olarak aydınlatacaktır.

İKAZ

- Işığa doğru bakarak gözünüzü doğrudan ışığa maruz bırakmayın.
Gözünüz sürekli olarak ışığa maruz kalırsa gözünüz zarar görecektir.
- LED lambanın merceği üzerindeki herhangi bir kir veya pisliği merceği çizmemeye özen göstererek yumuşak bir bezle silin.
LED lambanın merceği üzerindeki çizikler daha düşük parlaklığa yol açabilir.

2. Tetik Kilidi Mekanizması (Bkz. **Şek. 8**)

UYARI

- Çiviler ateşlenmiyorken tetiğin kilittli olduğundan emin olun. Bu Çivi Çakma Makinesinde çivilerin ateşlenmesini önleyen bir kilit mekanizması bulunmaktadır. Tetiği kilitlemek için düğme kilit kolunu  konumuna getirin.
Düğme kilitleme kolunu Çivi Çakma Makinesi kullanılabacağı zaman  konumuna ve kullanılmayacağı zaman  konumuna kaydırın.

3. Çivi çakma makinesini deneme

UYARI

- Çiviler ateşlenmiyorken tetiğin kilittli olduğundan emin olun. (Bkz: **Şek. 8**)
- İtme kolu düzgün çalışmadığı takdirde Çivi Çakma Makinesini asla kullanmayın.
NT1865DBAL ve NT1865DBSL modellerinde makine dolu olmadığında çalışmayı önleyici bir mekanizma bulunmaktadır.
NT1865DBAL ve NT1865DBSL modelleri itme kolunun itilemediği bir duruma girer. Bu, şarjörde çivi olmadığına veya kalan çivi sayısı 6 veya 9'dan az olduğunda meydana gelir.

İKAZ

İtme kolu ucunu ahşabın üzerine atmamaya dikkat edin. Çivileme işlemine geçerken başlamadan önce, aşağıdaki kontrol listesini kullanarak Çivi Çakma Makinesini test edin. Testleri aşağıdaki sıraya göre gerçekleştirin. Anormal bir işlem meydana gelirse Çivi Çakma Makinesini kullanmayı bırakın ve derhal bir HiKOKI yetkili servis merkez ile iletişimi kurun.

- (1) ÇİVİ ÇAKMA MAKİNESİNDEN TÜM ÇİVİLERİ VE BATARYAYI ÇIKARIN.

TÜM VİDALAR SIKI OLMALIDIR.

Çivi besleyiciyi (B) geri çekildiğinde İTME KOLU VE TETİK RAHAT HAREKET ETMELİDİR. (NT1850DBSL: Çivi besleyiciyi geri çekmek gerekli değildir)

- (2) Bataryanın takılması.

Bataryayı takarken itme kolunu veya tetiği kullanmayın. (Bkz: **Şek. 2**)

- (3) Güç düğmesini açın. (Bkz: **Şek. 1**)

Güç düğmesini 1 saniyeden uzun süre basılı tutarak Güç düğmesini açın.

Güç göstergesinin yeşil ve çivileme işlemi göstergesinin mavi yandığından emin olun. (TAM SIRALI ETKİME MEKANİZMASI)

NOT

Güç düğmesini AÇIK duruma getirme işlemi sırasında itme koluna basmayın ve/veya tetiği çekmeyin. Bunun yapılması güç düğmesinin AÇIK duruma gelmesini önleyecektir.

[Otomatik kapanma]

Güç açık durumdayken Çivi çakma makinesi 30 dakika boyunca kullanılmazsa Çivi Çakma Makinesi otomatik olarak kapanır. Tekrar açmak için güç düğmesine basın.

UYARI

Çivi Çakma Makinesini hiçbir zaman açık durumda bırakmayın. Bu bir kazaya neden olabilir.

Çivileme işlemi göstergesi

Aydınlatma (Mavi):

TAM SIRALI ETKİME MEKANİZMASI,

Yanıp Sönüyor (Mavi):

TEMASLA ETKİME MEKANİZMASI

Batarya göstergesinin yanıp sönmediğinden emin olun. Batarya göstergesi kırmızı yanıp sönüyorsa bataryada yeterince güç kalmamıştır ve bataryanın şarj edilmesi gerekir.

- (4) Parmagınızı tetikten çekin ve çivi besleyiciyi (B) geri çekerek itme kolunu iş parçasına karşı bastırın.

ÇİVİ ÇAKMA MAKİNESİ ÇALIŞMAMALIDIR.

- (5) İtme kolunu iş parçasından ayırın.

Ardından çivi besleyiciyi (B) geri çekerek çivi çakma makinesini aşağıya doğru yöneltin, tetiği çekin ve ardından 5 saniye veya daha uzun süre o konumda bekleyin.

ÇİVİ ÇAKMA MAKİNESİ ÇALIŞMAMALIDIR.

- (6) ① Tetiğe dokunmadan ve çivi besleyiciyi (B) geri çekerek itme kolunu iş parçasına karşı bastırın. Sonra, tetiği çekin.

ÇİVİ ÇAKMA MAKİNESİ ÇALIŞMALIDIR.

② Tetiği çekili tutun ve itme kolunu tekrar iş parçasına bastırın.

ÇİVİ ÇAKMA MAKİNESİ ÇALIŞMAMALIDIR.

- ③ Parmağınızı tetikten ayırın.
Ardından, ① tekrar çalıştırılır.
- ÇİVİ ÇAKMA MAKİNESİ ÇALIŞMALIDIR.
- (7) İtme kolunu iş parçasından ayırın, tetiği çekin.
İş parçasını 2 saniye içinde iş parçasına karşı bastırın.
- ÇİVİ ÇAKMA MAKİNESİ ÇALIŞMAMALIDIR.
- (8) Çivileme işlemi göstergesini yanıp sönen AÇIK moduna ayarlayın. (TEMASLA ETKİME MEKANİZMASI)
Çivileme işlemi düğmesine bir kez basın, göstergenin Mavi yanıp söndüğünden emin olun.
İtme kolunu iş parçasından ayırın, tetiği çekin.
İş parçasını 2 saniye içinde iş parçasına karşı bastırın.
- ÇİVİ ÇAKMA MAKİNESİ ÇALIŞMALIDIR.
- (9) Herhangi bir anormal işlem gözlenmezse çivileri Çivi Çakma Makinesine doldurabilirsiniz.
Çivileri gerçek uygulamada kullanılacak aynı türden bir iş parçasına çakın.
- ÇİVİ ÇAKMA MAKİNESİ DÜZGÜN BİR ŞEKİLDE ÇALIŞMALIDIR.

4. İtme kolu işlemlerini kontrol etme

UYARI

- Çiviler ateşlenmiyorken tetiğin kilittli olduğundan emin olun.
İtme kolu işlemlerini kontrol ederken her zaman tetiğin kilittli olduğundan ve bataryanın elektrikli aletten çıkarıldığından emin olun.
Çalıştırıldığında itme kolunun rahatça kaydığından emin olmak için kontrol edin.
Rahat bir şekilde kaymıyorsa itme kolu üzerindeki kayma bölgesini temizleyin.

5. Çivileri doldurun

UYARI

- Çivi çakma makinesine çivileri doldururken,
1) bataryayı çivi çakma makinesinden çıkarın;
2) tetiği çekmeyin;
3) itme kolunu bastırmayın ve
4) çivi çakma makinesini aşağıya doğru yöneltin.
<NT1865DBAL, NT1865DBSL>
2-Hareketli Çivi Besleme!
(1) Çivi şeridini kartuşun arkasının içine yerleştirin. (Bkz: **Şek. 9**)
(2) Çivi şeridini kartuşun içinde ileri kaydırın. (Bkz: **Şek. 10**)
(3) Çivi besleyicisi (A), çivi besleyicisi (B) çivi şeridiyle kenetlenmesi için bastırın. (Bkz: **Şek. 11**)

NOT

- Çivi besleyicisi (A) ve çivi besleyicisi (B) çiviye karşı sessizce bastırın.
Çivi besleyicisi (A) ve çivi besleyicisi (B) kartuşun arkasından serbest bırakılır ve çiviye çarparsa çivinin bağlantı yapışkanı zarar görebilir.
 10'dan fazla çivi içeren bir çivi şeridi kullanın.
 Aynı uzunlukta çiviler içeren aralıksız bir çivi şeridi kullanın.

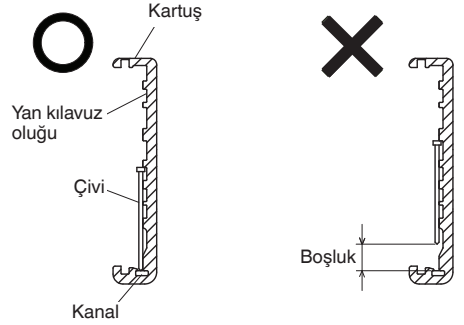
Çivi Çakma Makinesi artık çalışmaya hazırdır.

Çivileri çıkarma:

- ① Çivi besleyicisi (B) geriye doğru çekin. (Bkz. **Şek. 12**)
② Çivi besleyicisi (A) iterken çivi besleyicisi (B) sessizce ileri geri döndürün.
③ Çivileri kartuşun arkasından dışarı çekin. (Bkz. **Şek. 13**)
<NT1850DBSL>
(1) Durdurma koluna hafifçe basın ve kartuş kapağını yavaşça dışarı çekin. (Bkz. **Şek. 14**)
(2) Çivi şeridini kartuşun içine takın ve çivilerin uçlarını Olukla temas halinde tutun. (Bkz. **Şek. 15**)

NOT

Sayfa 269'da gösterilen çiviler, herhangi bir ayar yapmadan kartuşun yan klavuz oluğunun üzerine doldurulabilir.
Çivilerin uçlarını her zaman Oluk ile temas halinde tutun.



- (3) Çivi şeridini bıçak klavuzunun içine kaydırın. (Bkz: **Şek. 16**)
(4) Çivi şeridinin yan klavuz olukları ve Oluk ile düzgün bir şekilde yerleştiğini onaylayın, ardından kartuş kapağını mandalla sabitlemek üzere ileri itin.

ÇİVİ ÇAKMA MAKİNESİNİN KULLANILMASI

UYARI

- Aleti ASLA kendinize veya çalışma alanındaki diğer kişilere doğrultmayın.
- Çivileri çakmıyorken kazara ateşlenmelerini önlemek için parmaklarınızı tetikten UZAK tutun.
- Hasar görmüşse elektrik kablosunu kullanmayın. Derhal tamir ettirin.
- Tetikleme yöntemi seçimi önemlidir. Lütfen aşağıda bulunan "1.Çivileme prosedürleri" bölümünü okuyun ve kavrayın.
- Çalışmaya başlamadan önce, çivileme işlemi değiştirme cihazını kontrol edin.
- Bu HiKOKI çivi çakma makinesinde bir çivileme işlemi değiştirme cihazı bulunmamaktadır.
- Çalışmaya başlamadan önce, değiştirme cihazının doğru bir şekilde ayarlandığından emin olun. Değiştirme cihazı doğru şekilde ayarlanmamışsa çivi çakma makinesi doğru bir şekilde çalışmayacaktır.
- Kullanım sırasında yüzünüzü, ellerinizi veya ayaklarınızı asla ateşleme kafasının yakınına yerleştirmeyin.
- Çivileri, başka çivilerin üzerine veya Çivi Çakma Makinesi ile çok dik bir açıda çakmayın; çiviler sekip birini yaralayabilir.
- Çivileri ince levhalara veya işparçasının köşelerine ve kenarlarına yakın bir yere çakmayın. Çiviler iş parçasının içinden geçebilir veya iş parçasının dışına çivilenebilir ve birine çarpabilir.
- Asla aynı anda bir duvarın her iki tarafından çiviler çakmayın. Çiviler duvarın içinden geçip karşı taraftaki bir kişiye çarpabilir.
- Asla arızalı veya anormal bir şekilde çalışan Çivi Çakma Makinesini kullanmayın.
- Çivi Çakma Makinesini keçiç olarak kullanmayın.
- Aşağıdaki durumlarda kalan bağlantı elemanlarını ve bataryayı çivi çakma makinesinden çıkarın:
 - 1) bakım ve kontrol yaparken;
 - 2) itme kolu ve tetiğin düzgün çalışıp çalışmadığını kontrol ederken;
 - 3) uç kapağını takarken veya çıkarırken;
 - 4) bir sıkışmayı giderirken;

Türkçe

- 5) kullanımda değilken;
 - 6) çalışma alanından ayrılırken;
 - 7) başka bir yere taşırken ve
 - 8) başka bir kişiye teslim ederken.
- Bataryayı şu durumlarda Çivi Çakma Makinesinden çıkarın:
- 1) çivileri doldururken;
 - 2) ayarlayıcıyı çevirirken.

Bu HiKOKI çivi çakma makinesinde bir çivi çakma makinesi işlemi değiştirme cihazı bulunmaktadır.

Gerçekleştirilecek işe göre TAM SIRALI ETKİME MEKANİZMASI veya TEMASLA ETKİME MEKANİZMASI modunu kullanın.

Çeşitli çivileme işlemlerinin açıklaması

- TAM SIRALI ETKİME MEKANİZMASI:
- İlk önce, itme kolunu ahşaba karşı bastırın; ardından çivi çakmak için tetiği çekin.
- Çivileri çakmaya devam etmek için aynı sırayı uygulayın. Bir kez çivi çaktıktan sonra, parmağınızı tetikten kaldırıp aleti ahşap yüzeyden tamamen kaldırına kadar tekrar çivi çakmak mümkün olmayacaktır.

- TEMASLA ETKİME MEKANİZMASI:

- TEMASLA ETKİME, kullanımınıza bağlı olarak iki farklı sıralamayı izleyebilir.
- Birden fazla çivi çakmak için:
1. Tetiği çekin.
 2. Çivi çakmak için itme kolunu ahşaba karşı bastırın.
 3. Tetik çekili tutuluyorsa itme kolu ahşaba karşı her bastırıldığında bir çivi çakılacaktır.

Tek bir çivi çakmak için:

1. İtme kolunu ahşaba karşı bastırın.
2. Çivi çakmak için tetiği çekin.
3. Parmağınızı tetikten çekin ve çivi çakma makinesini ahşaptan çekin.

[Boş ateşleme kilitleme mekanizması]

NT1865DBAL ve NT1865DBSL modellerinde makine dolu olmadığında çalışmayı önleyici bir mekanizma bulunmaktadır.

NT1865DBAL ve NT1865DBSL modelleri itme kolunun itemediği bir duruma girer. Bu, kartuşta çivi olmadığında veya kalan çivi sayısı 6 veya 9'dan az olduğunda meydana gelir.

İKAZ

İtme kolu itilemezken itme kolu ucunu ahşaba atmamaya dikkat edin.

1. Çivileme prosedürleri

Bu Çivi Çakma Makinesinde itme kolu bulunmaktadır ve itme kolu bastırılmadığı sürece çalışmaz.

Bu Çivi Çakma Makinesi ile çiviler çakmak için iki çalışma yöntemi bulunmaktadır.

Bu yöntemler şunlardır:

1. Aralıklı çalışma (Tetikle ateşleme);
2. Sürekli çalışma (İtme koluyla ateşleme);

- (1) Aralıklı çalışma (Tetikle ateşleme)

TAM SIRALI ETKİME MEKANİZMASI ayarını kullanın. (Bkz: Şek. 17)

UYARI

- Aralıklı çalışma için çivileme işlemi düğmesini TAM SIRALI ETKİME MEKANİZMASI olarak ayarlayın (Çivileme işlemi göstergesi mavi yanar). (ör. TEKLİ ETKİME MEKANİZMASI olarak ayarlayın.)

- Geri tepme nedeniyle çift ateşlemeyi veya kazara ateşlemeyi önlemek için.

- 1) TAM SIRALI ETKİME MEKANİZMASI olarak ayarlayın.
- 2) Tetiği hızlı ve güçlü bir şekilde çekin.

- ① Çivileme işlemi düğmesini TAM SIRALI ETKİME MEKANİZMASI olarak ayarlayın (Çivileme işlemi göstergesi mavi yanar). (TAM SIRALI ETKİME MEKANİZMASI olarak ayarlamak için).

(Şek. 17'de gösterildiği gibi değiştirme cihazını çivileme işlemi göstere ışığı tamamen mavi modda yanacak şekilde ayarlayın. Aksi takdirde, TEMASLA ETKİME MEKANİZMASI olarak ayarlanacaktır.)

- ② Çivi çıkış ağzını parmağınız tetikte olmayacak şekilde konumlandırın.

- ③ İtme kolunu tamamen bastırılana kadar sıkıca bastırın.

- ④ Çivi çakmak için tetiği çekin.

- ⑤ Parmağınızı tetikten çekin ve aleti ahşap yüzeyden tamamen ayırın.

Aynı bir konumda çivileme işlemine devam etmek için çivi çakma makinesini ② - ⑤ adımlarını gerektiği gibi tekrarlayarak ahşap boyunca hareket ettirin.

NOT

③ ve ④ işlemleri biri diğerinden en fazla 2 saniye içinde gerçekleştirilmelidir. ③ işleminden sonra 2 saniyeden daha uzun süre geçerse Çivi Çakma Makinesi düzgün çalışmayacaktır. Bu olursa ③ işleminden itibaren yeniden deneyin.

- (2) Sürekli çalışma (İtme koluyla ateşleme)

TEMASLI ETKİME MEKANİZMASINI Kullanma (Bkz. Şek. 18)

UYARI

Geri tepme nedeniyle çift ateşlemeyi veya kazara ateşlemeyi önlemek için.

- 1) Çivi çakma makinesini ahşaba karşı aşırı güç kullanarak bastırmayın.

- 2) Çivileme işleminden sonra geri teperken çivi çakma makinesini ahşaptan çekin.

- ① Çivileme işlemi düğmesini TEMASLI ETKİME MEKANİZMASI olarak ayarlayın (Çivileme işlemi göstergesi mavi yanıp söner). (TEMASLI ETKİME MEKANİZMASI olarak ayarlamak için).

(Şek. 18'de gösterildiği gibi değiştirme cihazını çivileme işlemi göstere ışığı tamamen mavi yanıp sönecek şekilde ayarlayın. Aksi takdirde, düzgün çalışmayacaktır.)

- ② Çivi Çakma Makinesi iş parçasından uzaktayken tetiği çekin.

- ③ Bir çivi çakmak için itme kolunu iş parçasına karşı bastırın.

- ④ Çivi Çakma Makinesini bir zıplama hareketiyle iş parçası boyunca hareket ettirin.

İtme kolunu her bastırıldığınızda itme kolu bir çivi çakacaktır.

İstedığınız sayıda çivi çakılır çakılmaz, parmağınızı tetikten çekin.

NOT

② ve ③ işlemleri biri diğerinden en fazla 2 saniye içinde gerçekleştirilmelidir. ② işleminden sonra 2 saniyeden daha uzun süre geçerse Çivi Çakma Makinesi düzgün çalışmayacaktır. Bu olursa ② işleminden itibaren yeniden deneyin.

UYARI

- İtme kolu kazara sizinle veya çalışma alanındaki başkalarıyla temas ederse ciddi yaralanmaya neden olabileceği için çivileme işlemi dışında parmağınızı tetikten uzak tutun.

- Ellerinizi ve vücudunuzu boşaltma alanından uzak tutun. Bu HiKOKI çivi çakma makinesi çivi çakma işlemi sonucunda oluşan geri tepme hareketi nedeniyle zıplayabilir ve takiben istenmeyen bir çivi çakılabilir ve muhtemelen bir yaralanmaya neden olabilir.

NOT

- Tüm uyarılara ve talimatlara uyulduğu takdirde her iki sistemle de güvenli çalışma mümkündür: TAM SIRALI ETKİME MEKANİZMASI, TEMASLI ETKİME MEKANİZMASI.

- Her zaman çivileri ve paketi dikkatli bir şekilde tutun. Çiviler düşürülürse dizilim bağlantısı bozulabilir, bu da yanlış besleme ve sıkışmaya neden olabilir.

- Çivileme işleminden sonra:
 - 1) bataryayı Çivi Çakma Makinesinden çıkarın;
 - 2) Çivi Çakma Makinesinden tüm çivileri çıkarın;
- 2. Çivileme derinliğini ayarlama**
Her çivinin aynı derinliğe çakılmasını sağlamak için Çivi Çakma Makinesinin her zaman iş parçasına karşı sıkıca tutulduğundan emin olun.
Çiviler iş parçasına çok derin veya çok şiğ çakılıyorsa çivilemeyi aşağıdaki sırada ayarlayın.
 - ① Bataryayı Çivi Çakma Makinesinden çıkarın.
 - ② Çiviler çok derine çakılıyorsa ayarlayıcıyı şiğ tarafa çevirin. (Bkz: **Şek. 19**)
Ayarlamalar yarım tur aralıklarda gerçekleştirilir.
Çiviler çok şiğ çakılıyorsa ayarlayıcıyı derin tarafa çevirin. (Bkz: **Şek. 20**)
 - ③ Bir çivileme testi için uygun bir konuma erişildiğinde ayarlayıcıyı çevirmeyi durdurun.
 - ④ Bataryayı Çivi Çakma Makinesine bağlayın.
HER ZAMAN GÜVENLİK GÖZLÜKLERİ TAKIN.
Bir çivileme testi gerçekleştirin.
 - ⑤ Bataryayı Çivi Çakma Makinesinden çıkarın;
 - ⑥ Ayarlayıcı için uygun bir konum seçin.
- 3. Kancayı kullanma (Bkz. Şek. 21, 22, 23)**

UYARI

Kancayı kullanırken güç düğmesini kapatın (yeşil lamba "KAPALI"). Ana ekipmanın düşmemesi için yeterli dikkati gösterin.

Alet düşerse bir kaza riski bulunmaktadır.

Kanca sol veya sağ tarafa takılabilir. (NT1865DBAL hariç)

- ① Bataryayı çıkarın, ardından kalan tüm çivileri kartuştan çıkarın.
- ② Ana üniteyi sıkıca tutun ve vidayı bir tornavida ile sökün. (Bkz: **Şek. 21**)
- ③ Kancayı ve kanca levhasını çıkarın. (Bkz: **Şek. 22**)
- ④ Kancayı diğer tarafa takın ve vidayla güvenli bir şekilde sabitleyin. (Bkz: **Şek. 23**)

NOT

Kanca bir askı olarak kullanılabilir.

4. Uç kapağını kullanma (Bkz. Şek. 24, 25)**UYARI**

Uç kapağını takarken veya çıkarırken, parmağınızı tetikten çektiğinizden emin olun ve kalan tüm bağlantı elemanlarını ve bataryayı çivi çakma makinesinden çıkarın.

İşparçasının yüzeyini itme kolu tarafından yapılan çiziklerden veya izlerden korumak istiyorsanız aksesuar ucu kapağını itme koluna takın.

- ① Kalan tüm bağlantı elemanlarını ve bataryayı çivi çakma makinesinden çıkarın.
- ② Uç kapağını itme kolunun ayağına takın.
- ③ Uç kapağı hizalamayı kolaylaştırmak için çivinin çıkış noktasını belirtmek üzere işaretlidir.
- ④ Uç kapağını kullanırken, kartuşun ters tarafında bulunan depolama gözünü sabitleyin.

NOT

Uç kapağı, kalınlığından dolayı çivileme derinliğini azaltabilir. Çivileme derinliğinin yeniden ayarlanması gerekir.

5. Bir sıkışmayı giderme

Çiviler ateşleme kafasına sıkışırsa, çivileri çıkarın ve çivilemeyi aşağıdaki sırada ayarlayın.

İKAZ

- Bataryayı Çivi Çakma Makinesinden çıkarın.
- ① Bataryayı Çivi Çakma Makinesinden çıkarın;
- ② Tüm çivileri çıkarın.
- ③ Kilit kolunu serbest bırakın ve kılavuz levhasını açın. (Bkz: **Şek. 26**)
- ④ Sıkışan çiviyi düz başlı bir tornavida ile çıkarın. (Bkz: **Şek. 27**)

İKAZ

- ASLA sürücü bıçağına vurmayın.
- ASLA yanlış ateşlemeden dolayı yaralanma riskini önlemek için aleti kendinize veya başka bir kişiye yönlentmeyin.
Batarya çivi çakma makinesinden çıkarılmış olsa bile hala içeride kalan sıkıştırılmış havanın enerjisi vardır.

⑤ Kılavuz levhasını ve mandalı kapatın.

NOT

Sık sık sıkışma durumunda yetkili bir HiKOKI servis merkeziyle irtibata geçin.

BAKIM VE MUAYENE**İKAZ**

Kalan tüm bağlantı elemanlarını ve bataryayı bakımdan ve kontrolden önce çivi çakma makinesinden çıkardığınızdan emin olun.

1. Kartuşun kontrolü

- ① Bataryayı Çivi Çakma Makinesinden çıkarın.
- ② Kartuşu temizleyin. Kartuşta biriken toz ve ahşap talaşları temizleyin.

İKAZ

Parmağınızı çekerek çivi besleyicinin rahatça kaydığı kontrol edin.
Rahat değilse çiviler düzensiz bir açıda çakılabilir ve birini yaralayabilir.

2. Montaj vidalarının muayene edilmesi

Tüm montaj vidalarını düzenli olarak kontrol edin ve uygun şekilde sıkılmış olduklarından emin olun. Gevşeyen vida varsa derhal sıkın. Aksi halde, ciddi tehlikeye yol açabilir.

3. Motorun bakımı

Motor ünitesinin sargısı, elektrikli aletin tam "kalbi"dir. Sargının hasar görmemesi ve/veya yağ veya suyla ıslanmaması için gerekli özeni gösterin.

4. Terminalerin kontrolü (alet ve batarya)

Terminaler üzerinde talaş ve toz birikmediğinden emin olmak için kontrol edin.
Zaman zaman çalışma öncesinde, sırasında ve sonrasında kontrol edin.

İKAZ

Terminaler üzerinde biriken talaş veya toz varsa bunları temizleyin.

Bu işlemin yapılmaması arızayla sonuçlanabilir.

5. Dış yüzeyin temizlenmesi

Elektrikli alet kirlendiğinde, yumuşak kuru veya sabunlu suyla hafifçe ıslatılmış bir bezle silin. Plastik kısımları eritebileceğinden, klorlu çözücüler, benzin veya boya inceltici (tiner) kullanmayın.

6. Saklama

Elektrikli aleti 40°C'den düşük sıcaklıkta ve çocukların ulaşamayacağı bir yerde saklayın.

NOT

Lityum-iyon Bataryaları Saklama.

Lityum-iyon bataryaları saklamadan önce tamamen şarj olduklarından emin olun.

Bataryaların uzun süre düşük şarjla saklanması (3 ay veya daha fazla) performansta düşmeye neden olabilir, batarya kullanım süresini önemli ölçüde azaltabilir veya bataryaları şarj edilemez hale getirebilir.

Bununla birlikte, önemli ölçüde azalan batarya kullanım süresi, bataryaların iki ila beş kez üstüste şarj edilip kullanılmasıyla düzeltilebilir.

Eğer ard arda şarj edilip kullanılmasına rağmen batarya kullanım süresi çok kısaysa, bataryaların kullanım ömrü bitmiştir ve yeni bataryalar almanız gerekir.

İKAZ

Ağırlaş aletlerinin kullanımı ve bakımı konusunda her ülkede yürürlükte olan güvenlik düzenlemelerine ve standartlarına uygun davranılmalıdır.

Türkçe

HiKOKI akülü el aletleri için batarya kullanımı hakkında önemli uyarı

Lütfen, daima belirtilen orijinal bataryalardan birini kullanın. Belirtilenlerden başka bataryalarla kullanılmaları durumunda, veya bataryanın sökülmesi ve modifiye edilmesi (örneğin, hücrelerin veya diğer iç parçaların sökülmesi veya değiştirilmesi) halinde akülü el aletlerimizin emniyetini ve performansını garanti edemiyoruz.

Beyan edilen toplam vibrasyon değeri standart bir test yöntemine göre ölçülmüştür ve bir aleti diğeriyle karşılaştırmak için kullanılabilir.

Aynı zamanda, bir ön maruz kalma değerlendirmesi olarak da kullanılabilir

UYARI

- Elektrikli aletin kullanımı sırasında vibrasyon emisyonu, aletin kullanma şekline bağlı olarak belirtilen değerden farklılık gösterebilir.
- Gerçek kullanım koşullarındaki maruz kalma değerlendirmesini esas alarak kullanıcıyı koruyacak güvenlik önlemlerini belirleyin (kullanım süresine ilave olarak aletin kapatıldığı ve rölantide çalıştığı zamanlarda çalışma çevriminde yer alan tüm parçaları dikkate alarak).

GARANTİ

HiKOKI Elektrikli El Aletlerine yasalar / ülkelere özgü mevzuatlar çerçevesinde garanti veriyoruz. Bu garanti, yanlış veya kötü kullanımdan veya normal aşınma ve yıpranmadan kaynaklanan arıza ve hasarları kapsamamaktadır. Şikayet durumunda, lütfen Elektrikli El Aletini, sökülmemiş şekilde, bu Kullanım Kılavuzu'nun sonunda bulunan GARANTİ BELGESİYLE birlikte bir HiKOKI Yetkili Servis Merkezi'ne gönderin.

NOT

HiKOKI'nin sürekli araştırma ve geliştirme çalışmaları nedeniyle, burada belirtilen teknik özelliklerde önceden haber verilmeden değişiklik yapılabilir.

Gürültü Bilgileri

Gürültü karakteristik değerleri EN 60745'e uygundur:

Tipik A ağırlıklı tek olay ses gücü seviyesi

$$L_{WA, 1s, d} = 92 \text{ dB}$$

İş istasyonunda tipik A ağırlıklı tek olay emisyonu ses basıncı seviyesi

$$L_{pA, 1s, d} = 81 \text{ dB}$$

Belirsizlik K_{pA}: 3 dB

Bu değerler aletle ilgili karakteristik değerlerdir ve kullanım noktasındaki gürültü gelişimini ifade etmez. Örneğin kullanım noktasındaki gürültü gelişimi, çalışma ortamına, iş parçasına, iş parçası desteğine ve çakma işlemi sayısına vb. bağlıdır.

İşyerinin koşullarına ve iş parçasının şekline bağlı olarak, iş parçalarını ses sönümleyici destekler üzerine yerleştirme, kelepçeleme veya örtme yöntemiyle iş parçası titreşimini önleme vb. gibi ayrı ayrı gürültü azaltma önlemleri alınması gerekebilir.

Özel durumlarda, işitme koruma ekipmanı kullanılması gerekir.

Titreşim Bilgileri

Tipik titreşim karakteristik değeri EN 60745'e uygundur:

$$2,6 \text{ m/s}^2$$

Belirsizlik K: 1,5 m/s²

Bu değerler aletle ilgili karakteristik değerlerdir ve aleti kullanılırken el kol sistemine olan etkisini ifade etmez. Örneğin, aleti kullanırken el kol sisteminde oluşacak bir etki, kavrama kuvvetine, temas basınç kuvvetine, çalışma yönüne, enerji kaynağının ayarına, iş parçasına, iş parçası desteğine bağlıdır.

Bakım çizelgesi

İŞLEM	NEDEN	NASIL
Kartuşu ve besleyici mekanizmasını temizleyin.	Sıkışmayı önleyin.	Her gün üfleyerek temizleyin.
İtme kolunu düzgün çalışır halde tutun.	Operatör güvenliğini ve etkin Çivi Çakma Makinesi işlemini ön planda tutun.	Her gün üfleyerek temizleyin.

SORUN GİDERME

Alet normal şekilde çalışmazsa, aşağıdaki tabloda belirtilen kontrolleri uygulayın. Bu kontroller sorunu çözmezse, satıcınıza veya HİKOKI Yetkili Servis Merkezine danışın.

SORUN	KONTROL YÖNTEMİ	DÜZELTME
Güç düğmesi açılmıyor. Bir kez açılıyor ancak otomatik olarak kapanıyor.	Düşük batarya şarjı.	Bataryayı şarj edin.
	İç elektronik aksam hasar görmüş.	Değiştirmek için HİKOKI ile iletişim kurun.
	İtme kolu ve/veya tetik AÇIK durumda mı?	İtme kolu ve tetiği KAPALI durumda tutun.
	30 dakikadan uzun süre hiçbir işlem yapılmıyor mu? (Otomatik kapanma işlevi)	Güç düğmesini "AÇIK" duruma getirmek için 1 saniyeden daha uzun süre basılı tutun
Çivi çakma makinesi çalışmıyor (Güç düğmesi AÇIK).	Çivi çakma makinesi iş parçasına yeterince bastırılmamıştır.	Çivi çakma makinesini sıkıca tutun ve iş parçasına tamamen bastırın.
	Tetik yeterince çekilmemiştir.	Tetiği sıkıca çekin.
	İtme kolu AÇIK ile tetik AÇIK işlemi (tetik AÇIK ile itme kolu AÇIK) arasında 2 saniyeden daha uzun süre geçti.	İtme kolu AÇIK ile tetik AÇIK (veya tetik AÇIK ile itme kolu AÇIK) işlemi arasında 2 saniyeden daha kısa süre olduğundan emin olun.
	Önleyici mekanizma etkinleştirildi. (Çivi yok veya çok az bağlantı elemanı kalmış) (NT1850DBSL hariç)	Çivileri kartuşa tekrar doldurun.
	Düğme kilidi kolu (Tetik kilitleme işlevi) "AÇIK" durumda.	Düğme kilidi kolunu "KAPALI" konuma getirin. (Bkz. Şek. 8)
	Makine çok soğuk (-5°C'nin altında) veya çok sıcak. (LED lamba düzenli aralıklarda yanıp söner ve güç düğmesi 10 saniyeden sonra söner.) (Bkz. sayfa 272)	Çivi çakma makinesinin yeterli koşullarda iyice soğumasına veya ısınmasına izin verin.
	İç elektronik aksam hasar görmüş.	Değiştirmek için HİKOKI ile iletişim kurun.
Çivi çakma makinesi çalışıyor ancak çivi çakılmıyor.	Kartuş kirlidir.	Kartuşu üfleterek ve silerek temizleyin.
	Sıkışma olup olmadığını kontrol edin.	Sıkışmayı giderin (bkz. Şek. 26, 27).
	Sürücü bıçağı aşınmış veya hasar görmüş mü?	Değiştirmek için HİKOKI ile iletişim kurun.
	Şerit yay zayıflamış veya hasar görmüş mü?	Şerit yayı değiştirin.
	Çivi besleyici hasar görmüş mü?	Çivi besleyiciyi değiştirin.
	Çivilerin doğru olup olmadığını kontrol edin.	Yalnızca önerilen çivileri kullanın.
Zayıf çakıyor. Yavaş çevrim yapıyor.	Çivileme derinliği ayar değiştiricisinin konumu kontrol edin.	Şek. 19, 20 'ye göre yeniden ayarlayın.
	Sürücü bıçağı aşınmış mı?	Değiştirmek için HİKOKI ile iletişim kurun.
	Sıkıştırılmış hava basıncı düştü.	Değiştirmek için HİKOKI ile iletişim kurun.
	İç elektronik aksam hasar görmüş.	Değiştirmek için HİKOKI ile iletişim kurun.
Çok derine çakıyor.	Çivileme derinliği ayar değiştiricisinin konumu kontrol edin.	Şek. 19, 20 'ye göre yeniden ayarlayın.
Çivi atlıyor. Aralıklı besleme.	Çivilerin doğru olup olmadığını kontrol edin.	Yalnızca önerilen çivileri kullanın.
	Çivi besleyici hasar görmüş mü?	Çivi besleyiciyi değiştirin.
	Şerit yay zayıflamış veya hasar görmüş mü?	Şerit yayı değiştirin.
	Sürücü bıçağı aşınmış veya hasar görmüş mü?	Değiştirmek için HİKOKI ile iletişim kurun.
Çiviler sıkışmış. Çakılan çivi bükülmüş.	Çivilerin doğru olup olmadığını kontrol edin.	Yalnızca önerilen çivileri kullanın.
	Sürücü bıçağı aşınmış veya hasar görmüş mü?	Değiştirmek için HİKOKI ile iletişim kurun.

AVERTISMENTE GENERALE PRIVIND SIGURANȚA SCULELOR ELECTRICE

⚠ AVERTISMENT

Citiți toate avertismentele privind siguranța și toate instrucțiunile.

Nerespectarea avertismentelor și a instrucțiunilor poate avea ca efect producerea de șocuri electrice, incendii și/sau vătămări grave.

Păstrați toate avertismentele și toate instrucțiunile, pentru a le putea consulta pe viitor.

Termenul „sculă electrică” prezent în toate avertismentele de mai jos se referă la scula dumneavoastră electrică alimentată la priză (cu cablu de alimentare) sau la scula electrică alimentată cu acumulatori (fără cablu de alimentare).

1) Siguranța în zona de lucru

a) Păstrați zona de lucru curată și bine iluminată.

Zonele de lucru dezordonate și întunecate predispun la accidente.

b) Nu utilizați sculele electrice în atmosferă explozivă, cum ar fi în prezența lichidelor, gazelor sau a prafurilor inflamabile.

Sculele electrice produc scânteii care pot aprinde praful sau aburii.

c) Țineți copiii sau privitorii la distanță în timp ce utilizați scula electrică.

Distragerea atenției vă poate face să pierdeți controlul asupra sculei.

2) Siguranța electrică

a) Ștecărele sculelor electrice trebuie să corespundă prizelor în care sunt introduse. Nu modificați niciodată ștecărul în niciun fel. Nu folosiți niciun fel de adaptatoare pentru ștecăr la sculele electrice cu împământare (legate la pământ).

Ștecărele nemodificate și prizele corespunzătoare reduc riscul de șoc electric.

b) Evitați contactul corpului cu suprafețele împământate, cum ar fi conductele, radiatoarele, cuptoarele și frigiderele.

În cazul în care corpul dvs. este împământat există un risc crescut de electrocutare.

c) Nu expuneți sculele electrice la ploaie și nu le lăsați în atmosferă umedă.

Intrarea apei într-o sculă electrică mărește riscul de electrocutare.

d) Nu forțați cablul de alimentare. Nu folosiți niciodată cablul de alimentare pentru a transporta, a trage sau a scoate scula electrică din priză.

Țineți cablul de alimentare departe de căldură, ulei, mυχii ascuțiți și de piese în mișcare.

Cablurile de alimentare deteriorate sau încolăcite măresc riscul de șoc electric.

e) Atunci când folosiți o sculă electrică în aer liber, utilizați un prelungitor adecvat pentru utilizarea în exterior.

Folosirea unui prelungitor adecvat pentru exterior reduce riscul de șoc electric.

f) Dacă utilizarea într-o zonă umedă nu poate fi evitată, folosiți o sursă de alimentare cu întrerupător de protecție la curent rezidual (RCD).

Folosirea dispozitivelor RCD reduce riscul producerii șocurilor electrice.

3) Siguranța personală

a) Atunci când folosiți o sculă electrică fiți vigilenți, fiți atenți la ceea ce faceți și acționați conform bunului simț.

Nu folosiți scule electrice atunci când sunteți obosit sau vă aflați sub influența drogurilor, a alcoolului sau a medicamentelor.

Un moment de neatenție în timpul utilizării unei scule electrice poate provoca vătămări personale grave.

b) Folosiți echipament de protecție personală. Purtați întotdeauna protecție pentru ochi.

Echipamentele de protecție cum ar fi măștile pentru praf, încălțăminte anti-alunecare, căștile și protecțiile auditive, folosite în situațiile corespunzătoare, reduc vătămările personale.

c) Preveniți pornirea neintenționată. Înainte de a conecta scula la priză și / sau la setul de acumulatori și înainte de a ridica sau transporta scula, asigurați-vă că întrerupătorul este pe poziția oprit.

Transportarea sculelor electrice cu degetul pe întrerupător sau introducerea în priză a sculelor electrice care au întrerupătorul pe poziția pornit sunt situații ce predispun la accidente.

d) Înainte de a pune scula electrică în funcțiune, îndepărtați toate cheile de reglare și orice alte chei.

O cheie sau o cheie de reglare rămase atașate de piesa rotativă a sculei electrice poate provoca vătămări personale.

e) Evitați dezechilibrarea. Mențineți permanent un contact corect al piciorului și un bun echilibru. Acest lucru permite un mai bun control al sculei electrice în situații neașteptate.

f) Purtați haine corespunzătoare. Nu purtați haine largi și nici bijuterii. Țineți-vă părul, hainele și mânușile departe de piesele în mișcare.

Hainele largi, bijuteriile și părul lung pot fi prinse în piesele în mișcare.

g) Dacă sunt prevăzute dispozitive de conectare la facilități de extragere și colectare a prafului, asigurați-vă că acestea sunt conectate și sunt folosite corespunzător.

Utilizarea acestor dispozitive poate reduce pericolele legate de praf.

4) Utilizarea și îngrijirea sculei electrice

a) Nu forțați scula electrică. Folosiți scula adecvată pentru aplicația dvs.

Scula potrivită va face treabă mai bună și mai sigură, la parametrii la care a fost proiectată.

b) Nu folosiți scula electrică în cazul în care întrerupătorul nu își îndeplinește funcția de pornire și oprire.

Sculele electrice care nu pot fi comandate prin intermediul întrerupătorului sunt periculoase și trebuie reparate.

c) Înainte de a face orice fel de reglaje, de a schimba accesoriile și de a depozita sculele electrice, scoateți ștecărul din priză și / sau de la setul de acumulatori.

Aceste măsuri preventive de siguranță reduc riscul pornirii accidentale a sculei electrice.

d) Depozitați sculele electrice neutilizate departe de zona de acțiune a copiilor și nu lăsați persoanele care nu sunt familiarizate cu scula electrică sau cu prezentele instrucțiuni să folosească scula electrică.

Sculele electrice sunt periculoase în mâinile utilizatorilor neinstruiți.

- e) **Întreținerea sculelor electrice.** Verificați alinierea și prinderea pieselor în mișcare, ruperea pieselor precum și toate celelalte aspecte care ar putea să influențeze funcționarea sculelor electrice. Dacă scula electrică este deteriorată, înainte de a o utiliza, duceți-o la reparat.
Multe accidente sunt provocate de scule electrice întreținute necorespunzător.
- f) **Păstrați elementele de tăiere curate și ascuțite.** Elementele de tăiere bine întreținute și cu muchiile de tăiere bine ascuțite sunt mai ușor de controlat și este mai puțin probabil să se agațe.
- g) **Folosiți scula electrică, accesoriile și vârfulurile etc. în conformitate cu prezentele instrucțiuni, luând în considerare condițiile de lucru și operațiunile ce urmează a fi efectuate.**
Folosirea sculei electrice pentru alte operațiuni decât cele prevăzute poate avea ca efect apariția unor situații periculoase.
- 5) **Utilizarea și întreținerea sculelor cu acumulatori**
- a) **Încărcați numai cu încărcătorul indicat de producător.**
Un încărcător adecvat unui anumit tip de pachet de acumulatori poate prezenta pericol de incendiu dacă este folosit pentru încărcarea altui tip de pachet de acumulatori.
- b) **Folosiți sculele electrice exclusiv cu tipurile de pachete de acumulatori indicate.**
Folosirea unui alt tip de pachet de acumulatori poate provoca vătămări sau incendii.
- c) **Atunci când setul de acumulatori nu este folosit, țineți-l departe de obiecte metalice cum ar fi agrafe de birou, monede, chei, cuie, șuruburi sau alte obiecte metalice mici care ar putea realiza conectarea terminalelor setului de acumulatori.**
Scurtcircuitarea terminalelor acumulatorilor poate provoca arsuri sau incendii.
- d) **În cazul exploatării abuzive, din acumulatori poate ieși lichid; evitați contactul cu acest lichid. În cazul unui contact accidental, spălați cu apă. În cazul contactului cu ochii, consultați un medic.**
Lichidul care iese din acumulatori poate provoca iritații sau arsuri.
- 6) **Service**
- a) **Scula electrică trebuie reparată de o persoană calificată, folosind numai piese de schimb identice.**
Astfel se asigură menținerea siguranței sculei electrice.

PRECAUȚIE

Țineți copiii și persoanele infirme la distanță. Atunci când nu este folosită, scula electrică trebuie depozitată departe de zona de acțiune a copiilor și a persoanelor infirme.

AVERTISMENTE PRIVIND SIGURANȚA MAȘINII DE BĂTUT CUIE DE FINISARE/MAȘINII DE BĂTUT CAIELE CU ACUMULATOR

1. **Considerați întotdeauna că scula conține dispozitive de fixare.**
Manipularea neglijentă a mașinii de bătut cuie poate avea ca rezultat declanșarea neașteptată a dispozitivelor de fixare și vătămarea corporală.

2. **Nu îndreptați scula spre dumneavoastră sau spre cineva din apropiere.**
Declanșarea neașteptată va descărca dispozitivul de fixare provocând vătămare.
3. **Nu acționați scula, cu excepția cazului în care scula este poziționată ferm pe piesa de prelucrat.**
Dacă scula nu este în contact cu piesa de prelucrat, dispozitivul de fixare ar putea devia departe de ținta dumneavoastră.
4. **Deconectați scula de la sursa de alimentare atunci când dispozitivul de fixare se blochează în sculă.**
În timp ce îndepărtați un dispozitiv de fixare blocat, mașina de bătut cuie poate fi activată în mod accidental dacă este conectată.
5. **Aveți grijă în timp ce îndepărtați un dispozitiv de fixare blocat.**
Mecanismul poate fi sub compresie și dispozitivul de fixare poate fi descărcat forțat în timp ce încerca să elibereze o stare blocată.
6. **Nu utilizați această mașină de bătut cuie pentru fixarea cablurilor electrice.**
Acesta nu este conceput pentru instalarea cablului electric și poate deteriora izolația cablurilor electrice, provocând astfel scurtcircuit sau incendiu.

AVERTISMENTE SUPLIMENTARE PRIVIND SIGURANȚA

1. **Operare sigură prin utilizare corectă.**
Această sculă a fost concepută pentru a bate cuie în lemn sau în materiale asemănătoare. Utilizați-o numai conform destinației sale.
2. **Aveți grijă la riscul de aprindere și explozii.**
Deoarece pot zbura scântei în timp ce bateți cuie, este periculos să utilizați această sculă în apropiere de lac, vopsea, benzină, diluant, gazolină, gaz, adezivi și de alte substanțe inflamabile similare, deoarece acestea se pot aprinde sau exploda. Prin urmare, în niciun caz nu trebuie utilizată această sculă în apropierea vreunui astfel de material inflamabil.
3. **Purtați întotdeauna protecție pentru ochi (ochelari de protecție).**



Atunci când operați scula electrică, purtați întotdeauna protecție pentru ochi și asigurați-vă că persoanele din jur poartă, de asemenea, protecție pentru ochi.

Posibilitatea ca fragmente din cuiele care nu au fost bătute în mod corespunzător să intre în ochi este o amenințare pentru vedere. Protecția pentru ochi poate fi achiziționată de la orice magazin de scule. Purtați întotdeauna protecție pentru ochi în timp ce utilizați această sculă. Utilizați fie protecție pentru ochi, fie o mască cu vizibilitate largă peste ochelarii prescriși. Angajatorii trebuie să impună întotdeauna utilizarea echipamentului de protecție a ochilor.

4. **Protejați-vă urechile și capul.**
Când sunteți angajat în operația de a bate cuie, purtați dopuri de protecție pentru urechi și protecție pentru cap. De asemenea, în funcție de situație, asigurați-vă că persoanele din jur utilizează, de asemenea, dopuri de protecție pentru urechi și protecție pentru cap.
5. **Acordați atenție celor care lucrează aproape de dumneavoastră.**

Ar fi foarte periculos dacă cuiele care nu au fost bătute în mod corespunzător ar lovi alte persoane. Prin urmare, acordați întotdeauna atenție siguranței persoanelor din jurul dumneavoastră atunci când utilizați această sculă. Asigurați-vă întotdeauna că mâinile, corpul sau picioarele nimănui nu sunt în apropiere de orificiul de ieșire a cuiei.

6. Nu îndreptați niciodată orificiul de ieșire a cuieiol înspre oameni.



Considerați întotdeauna că scula conține dispozitive de fixare.

Dacă orificiul de ieșire a cuieiol este îndreptat spre oameni, pot fi cauzate accidente grave dacă descărcați din greșeală scula. Când conectați și deconectați acumulatorul, în timpul încărcării cuieiol sau al unor operații similare, asigurați-vă că orificiul de ieșire a cuieiol nu este îndreptat spre nimeni (inclusiv spre dumneavoastră). Chiar și atunci când nu sunt încărcate cuie deloc, este periculos să descărcați scula în timp ce este îndreptată spre cineva, așadar nu încercați niciodată acest lucru. Fără joc zgomotos. Respectați scula ca un instrument de lucru.

7. Verificați maneta de împingere înainte de utilizare.

Asigurați-vă că maneta de împingere funcționează corespunzător. (Maneta de împingere poate fi numită „Siguranța”). Nu utilizați niciodată mașina de bătut cuie decât dacă maneta de împingere funcționează în mod corespunzător, în caz contrar, mașina de bătut cuie ar putea acționa un dispozitiv de fixare în mod neașteptat. Nu umbrați la și nu încercați să îndepărtați maneta de împingere, în caz contrar, maneta de împingere devine inoperabilă.

8. Alegerea metodei de declanșare este importantă.

Citiți și înțelegeți secțiunea intitulată „MOD DE UTILIZARE A MAȘINII DE BĂTUT CUIE” de la pagina 290.

9. Înainte de utilizarea acestui produs, asigurați-vă că acesta funcționează în mod corespunzător, în conformitate cu conținutul secțiunii „Testarea mașinii de bătut cuie” de la pagina 289.

10. Utilizați numai cuiele specificate.

Nu utilizați niciodată alt fel de cuie decât cele specificate și descrise în aceste instrucțiuni.

11. Aveți grijă atunci când conectați acumulatorul.

Când conectați acumulatorul și încărcați cuiele, pentru a nu declanșa scula din greșeală, asigurați-vă de următoarele lucruri.

- Nu atingeți declanșatorul.
- Nu permiteți capului de declanșare să intre în contact cu vreo suprafață.
- Țineți capul de declanșare în jos. Respectați cu strictețe instrucțiunile de mai sus și asigurați-vă întotdeauna că nicio parte a corpului, mâinile sau picioarele nu sunt vreodată în fața orificiului de ieșire a cuieiol.

12. Nu puneți degetul pe declanșator, din neglijență.

Nu puneți degetul pe declanșator decât atunci când efectiv bateți cuie. Dacă transportați această sculă sau o înmânați cuiva în timp ce degetul dumneavoastră este pe declanșator, puteți descărca din greșeală un cui și puteți cauza astfel un accident.

13. Apăsăți ferm orificiul de ieșire a cuieiol pe materialul care urmează a fi bătut în cuie.

Când bateți cuie, apăsați ferm orificiul de ieșire a cuieiol pe materialul care urmează a fi bătut în cuie. În cazul în care orificiul nu este aplicat corect, cuiele pot ricoșa.

14. Țineți mâinile și picioarele departe de capul de declanșare în timpul utilizării.



Este foarte periculos ca un cui să lovească mâinile sau picioarele din greșeală.

15. Feriți-vă de reculul sculei.

Nu vă apropiați cu capul etc. de partea superioară a sculei în timpul operării. Acest lucru este periculos deoarece scula poate recula violent în cazul în care cuiul care este bătut în acel moment vine în contact cu un cui bătut anterior sau cu un nod în lemn.

16. Aveți grijă la declanșarea dublă din cauza reculului.

În cazul în care maneta de împingere este lăsată în mod neintenționat să intre din nou în contact cu piesa de prelucrat în urma reculului, se va declanșa un dispozitiv de fixare nedorit.

Pentru a evita această declanșare dublă nedorită,

- Operare intermitentă (Acționare declanșator)
 - 1) Setati dispozitivul de comutare la MECANISM DE ACȚIONARE SECVENȚIALĂ COMPLETĂ.
 - 2) Trageți declanșatorul rapid și ferm.
- Operare continuă (Declanșare manetă de împingere)
 - 1) Nu apăsați mașina de bătut cuie cu forță excesivă pe lemn.
 - 2) Separați de lemn mașina de bătut cuie deoarece acestea reculează după fixare.

17. Aveți grijă atunci când bateți cuie în plăci subțiri sau în colțuri ale lemnului.

Atunci când bateți cuie în plăci subțiri, cuiele pot trece prin acestea, așa cum se poate întâmpla și în cazul în care bateți cuie în colțurile lemnului datorită devierii cuieiol. În astfel de cazuri, asigurați-vă întotdeauna că nu există nicio persoană (și nici mâinile sau picioarele cuiva etc.) în spatele plăcii subțiri sau lângă lemnul pe care îl(o) veți bate în cuie.

18. Operația de a bate cuie în mod simultan pe ambele părți ale aceluiași perete este periculoasă.

În nici un caz nu trebuie să efectuați operația de a bate cuie pe ambele părți ale unui perete în același timp. Acest lucru ar fi foarte periculos, deoarece cuiele ar putea trece prin perete și, astfel, ar cauza vătămări.

19. Nu utilizați scula electrică pe schele, scări.

Scula electrică nu trebuie utilizată pentru aplicații specifice, de exemplu:

- atunci când mutarea de la o locație de bătut cuie la alta implică utilizarea schelelor, a treptelor, a scărilor sau a altor construcții similare scărilor, de exemplu șipcele unui acoperiș,
- la inchiderea utilitatilor sau a lăzilor,
- la fixarea sistemelor de siguranță pentru transport, de exemplu la vehicule și vagoane

20. Îndepărtați toate dispozitivele de fixare rămase și acumulatorul din mașina de bătut cuie atunci când:

- 1) efectuați lucrări de întreținere și de inspecție;
- 2) verificați funcționarea corespunzătoare a manetei de împingere și a declanșatorului;
- 3) atășați sau îndepărtați bușonul;
- 4) eliminați un blocaj;
- 5) aceasta nu este în uz;
- 6) părăsiți zona de lucru;
- 7) o mutați într-o altă locație; și
- 8) o înmânați unei alte persoane.

Nu încercați niciodată să eliminați un blocaj sau să reparați mașina de bătut cuie, decât în cazul în care ați scos acumulatorul și toate dispozitivele de fixare rămase din mașina de bătut cuie.

Mașina de bătut cuie nu trebuie lăsată niciodată nesupravegheată deoarece persoanele care nu sunt familiarizate cu mașina de bătut cuie o pot manipula și se pot răni.

21. Îndepărtați acumulatorul din mașina de bătut cuie atunci când:

- 1) încărcați cuie;
- 2) rotiți dispozitivul de reglare.

22. Deconectați acumulatorul.

La atașarea și detașarea bușonului, deconectați acumulatorul.

La atașarea bușonului accesoriu la vârful manetei de împingere și la detașarea acestuia, asigurați-vă că mai înainte deconectați acumulatorul. Este foarte periculos ca un cui să fie declanșat din greșeală.

23. **Mediul de operare pentru acest dispozitiv este între 0°C și 40°C, așadar asigurată utilizarea în acest interval de temperatură. Este posibil ca dispozitivul să nu funcționeze sub 0°C sau peste 40°C.**
24. **Încărcați întotdeauna acumulatorul la o temperatură ambientă de 0–40°C.**
O temperatură mai mică de 0°C va duce la supraîncărcare, acest lucru fiind periculos. Acumulatorul nu poate fi încărcat la o temperatură de peste 40°C. Temperatura cea mai potrivită pentru încărcare este de 20–25°C.
25. **Nu utilizați încărcătorul în continuu.**
Când s-a încheiat o încărcare, lăsați încărcătorul să stea timp de circa 15 minute, înainte de următoarea încărcare a unui acumulator.
26. **Nu permiteți pătrunderea materiilor străine în orificiul pentru conectarea acumulatorului.**
27. **Nu demontați niciodată acumulatorul sau încărcătorul.**
28. **Nu scurtcircuitați niciodată acumulatorul.**
Scurtcircuitarea acumulatorului va produce un curent electric puternic și acesta se va supraîncălzi. Acumulatorul va arde sau se va strica.
29. **Nu aruncați acumulatorul în foc.**
Dacă acumulatorul este ars, acesta poate exploda.
30. **Utilizarea unui acumulator epuizat va deteriora încărcătorul.**
31. **Aduceți acumulatorul la magazinul de la care a fost cumpărat de îndată ce durata de viață a acestuia, după încărcare, devine prea scurtă pentru uz practic.**
Nu aruncați acumulatorul consumat.
32. **Nu introduceți obiecte în fantele de ventilație ale încărcătorului.**
Introducerea obiectelor de metal sau inflamabile în fantele de ventilație ale încărcătorului va duce la pericol de șoc electric sau deteriorarea încărcătorului.
33. **Nu permiteți NICIODATĂ ca magnetii (sau dispozitive magnetice similare) să fie apropiați de mașina de bătut cuie, deoarece mașina de bătut cuie are un senzor magnetic în interior.**
Acest lucru va provoca o defecțiune sau un risc de vătămare din cauza funcționării defectuoase.
34. **Oprirea unității după muncă neinteruptă.**
35. **Scula electrică este prevăzută cu un circuit de protecție la temperatură pentru protecția motorului. Activitatea continuă poate determina creșterea temperaturii dispozitivului, activând circuitul de protecție la temperatură și oprind automat funcționarea. Dacă se întâmplă acest lucru, lăsați scula electrică să se răcească înainte de a o folosi din nou.**
36. **Este posibil ca acest produs să înceteze funcționarea atunci când este detectată o anomalie. În astfel de cazuri, verificați elementele enumerate în secțiunea „REMEDIEREA PROBLEMELOR” de la pagina 294.**
37. **Nu aplicați șoc puternic asupra panoului de comutare și nu îl deteriorați. Acest lucru poate duce la o problemă.**
38. **Nu utilizați produsul dacă scula sau bornele acumulatorului (asamblarea acumulatorului) sunt deformate.**
Instalarea acumulatorului poate provoca un scurtcircuit care ar putea duce la emisie de fum sau aprindere.
39. **Păstrați terminalele sculei (asamblarea acumulatorului) fără șpan și praf.**
- Înainte de utilizare, asigurați-vă că nu s-au colectat șpan și praf în zona bornelor.
 - În timpul funcționării, încercați să evitați căderea șpanului sau prafului de pe sculă pe acumulator.

- La întreruperea operațiunii sau după utilizare, nu lăsați scula într-o zonă în care aceasta poate fi expusă la cădere de șpan sau praf. Nerespectarea acestei indicații poate provoca un scurtcircuit care ar putea duce la emisie de fum sau aprindere.

PRECAUȚII REFERITOARE LA ACUMULATORUL LITIU-ION

Pentru prelungirea duratei de viață, acumulatorul litiu-ion este echipat cu o protecție pentru oprirea furnizării de energie.

În situațiile 1 la 3 descrise mai jos, atunci când folosiți aparatul, chiar dacă acționați întrerupătorul, motorul se poate opri. Aceasta nu este o defecțiune, ci un rezultat al funcției de protecție.

1. Atunci când acumulatorul este descărcat, motorul se oprește.
În această situație încărcați imediat acumulatorul.
2. În situația suprasolicitării aparatului, motorul se poate opri. În această situație, eliberați întrerupătorul și îndepărtați cauza suprasolicitării. După aceasta, puteți folosi din nou aparatul.
3. În situația supraîncălzirii acumulatorului în timpul lucrului, alimentarea aparatului de la acumulator se poate întrerupe.
În această situație, încetați să mai utilizați acumulatorul și lăsați-l să se răcească. După aceasta, puteți folosi din nou aparatul.

Mai mult, vă rugăm să acordați atenție următoarelor avertismente și indicații privind precauția.

AVERTISMENT

Pentru a împiedica apariția scurgerilor la acumulator, a generării de căldură, emisiilor de fum, exploziei și aprinderii, vă rugăm să respectați următoarele măsuri de precauție.

1. Asigurați-vă că pe acumulator nu se strânge șpan și nici praf.
 - În timpul lucrului, asigurați-vă că pe acumulator nu cade șpan și nici praf.
 - Asigurați-vă că șpanul și praful care cad pe scula electrică în timpul lucrului nu se strâng pe acumulator.
 - Nu depozitați un acumulator nefolosit într-un loc expus la șpan și la praf.
 - Înainte de a depozita un acumulator, îndepărtați de pe acesta toate urmele de șpan și de praf și nu depozitați acumulatorul împreună cu piese metalice (șuruburi, cuie etc.).
2. Nu găuriți acumulatorul cu obiecte ascuțite cum ar fi cuiele, nu îl loviți cu ciocanul, nu călcați pe el, nu îl aruncați și nu îl supuneți unor șocuri fizice puternice.
3. Nu utilizați un acumulator care pare deteriorat sau care este deformat.
4. Nu folosiți acumulatorul cu polaritatea inversată.
5. Nu îl conectați direct la sursele de energie electrică sau la brichetele electrice ale mașinilor.
6. Nu folosiți acumulatorul în alte scopuri decât cele indicate.
7. În cazul în care acumulatorul nu se încarcă după trecerea timpului de încărcare specificat, încetați imediat să îl mai încărcați.
8. Nu expuneți acumulatorul la temperaturi sau presiuni ridicate, de exemplu nu îl introduceți într-un cuptor cu microunde, într-un uscător sau într-un container presurizat.
9. Țineți-l departe de flăcără imediat ce observați scurgeri sau mirosuri neplăcute.
10. Nu îl folosiți în locuri în care se generează o puternică electricitate statică.
11. În cazul în care observați la acumulator scurgeri, mirosuri neplăcute, generare de căldură, decolorări sau deformări, scoateți-l imediat din echipament sau din încărcător și încetați să îl mai utilizați.

12. Nu scufundați acumulatorul sau nu permiteți fluidelor să curgă în interior. Pătrunderea lichidului conductor, precum apa, poate provoca daune care pot duce la incendiu sau explozie. Depozitați acumulatorul dvs. într-un loc răcoros și uscat, departe de elemente combustibile și inflamabile. Trebuie evitate atmosferele gazoase corozive.

PRECAUȚIE

1. În cazul în care lichidul ce se scurge din acumulator intră în contact cu ochii, nu vă frecați la ochi și spălați-i bine cu apă proaspătă curată, cum ar fi apa de la robinet și consultați imediat un medic.
În cazul în care nu faceți tratament, lichidul poate provoca probleme oculare.
2. În cazul în care lichidul se scurge pe piele sau pe haine, spălați imediat cu apă proaspătă curată, cum ar fi apa de la robinet.
Există posibilitatea ca acest lucru să provoace iritarea pielii.
3. În cazul în care la prima utilizare a acumulatorului detectați mirosuri neplăcute, supraîncălzire, dacă observați rugină, decolorare, deformare și/sau alte nereguli, nu folosiți acumulatorul și înapoiți-l furnizorului sau vânzătorului.

AVERTISMENT

Dacă o materie străină, cu proprietăți conductive, intră în terminalul acumulatorului cu litiu ion, acesta se poate scurtcircuita, ducând la incendiu. Respectați cu strictețe următoarele reguli când depozitați acumulatorul cu litiu ion.

- Nu introduceți reziduuri cu proprietăți conductive, cuie sau sârme de oțel și cupru în cutia pentru depozitare.
- Pentru a preveni scurtcircuitarea, încărcați acumulatorul în sculă sau aplicați ferm capacul acumulatorului, pentru depozitare, până când nu se mai vede ventilatorul.

NUMELE PĂRȚILOR (Fig. 1 – Fig. 28)

①	Capac superior
②	Declanșator
③	Bec LED
④	Cap de declanșare (orificiu de ieșire)
⑤	Manetă de împingere
⑥	Dispozitiv de alimentare cu cuie (A)
⑦	Dispozitiv de alimentare cu cuie (B)
⑧	Magazie
⑨	Cârlig
⑩	Acumulator
⑪	Manetă blocare comutator
⑫	Mâner
⑬	Manetă oprire
⑭	Comutator indicator acumulator
⑮	Indicator acumulator
⑯	Comutator operație de a bate cuie
⑰	Indicator alimentare cu curent
⑱	Întrerupător alimentare
⑲	Indicator operație de a bate cuie
⑳	Bandă cuie
㉑	Capac magazie
㉒	Canelură
㉓	Ghidaj lamă
㉔	Dispozitiv de reglare
㉕	Plăcuța cârligului
㉖	Bușon
㉗	Manetă de blocare
㉘	Placă de ghidare

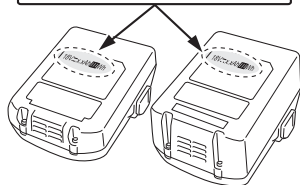
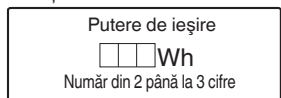
DESPRE TRANSPORTAREA ACUMULATORULUI LITIU-ION

Când transportați un acumulator litiu-ion, vă rugăm să respectați următoarele instrucțiuni.

AVERTISMENT

Notificați compania transportatoare că un pachet conține un acumulator litiu-ion, informați compania cu privire la puterea sa de ieșire și respectați instrucțiunile companie transportatoare atunci când aranjați un transport.

- Acumulatorii litiu-ion care depășesc puterea de ieșire de 100 Wh sunt considerați ca făcând parte din categoria de clasificare a materialelor periculoase și vor necesita proceduri de aplicare speciale.
- Pentru transportul în străinătate, trebuie să respectați legea internațională, precum și regulile și reglementările țării de destinație.























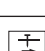
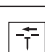


SIMBOLURI

AVERTISMENT

În cele ce urmează sunt prezentate simbolurile folosite pentru mașină. Înainte de utilizare, asigurați-vă că înțelegeți semnificația acestora.

	NT 1865DBAL: Mașină de bătut cuie de finisare cu acumulator
	NT 1865DBSL: Mașină de bătut cuie de finisare cu acumulator
	NT 1850DBSL: Mașină de bătut caiele cu acumulator
	Pentru a reduce riscul de accidente, utilizatorul trebuie să citească manualul de utilizare.

	Numai pentru țările membre UE Nu aruncați această sculă electrică împreună cu deșeurile menajere! În conformitate cu Directiva Europeană 2012/19/UE referitoare la deșeurile reprezentând echipamente electrice și electronice și la implementarea acesteia în conformitate cu legislațiile naționale, sculele electrice care au ajuns la finalul duratei de folosire trebuie colectate separat și duse la o unitate de reciclare compatibilă cu mediul înconjurător.
	Curent continuu
	Pornire
	Oprire
	Deconectați acumulatorul
	Înterupător alimentare
	Comutator alimentare OPRIT
	Comutator alimentare PORNIT Indicator alimentare cu curent: Luminează în verde
	Comutator operație de a bate cuie
	MECANISM DE ACȚIONARE SECVENȚIALĂ COMPLETĂ
	Mod MECANISM DE ACȚIONARE SECVENȚIALĂ COMPLETĂ Indicator operație de a bate cuie: Luminează în albastru
	MECANISM DE ACȚIONARE DE CONTACT

	Mod MECANISM DE ACȚIONARE DE CONTACT Indicator operație de a bate cuie: Clipește în albastru
	Declanșator blocat
	Declanșator deblocat
	Comutator indicator acumulator
	Acumulatorul este încărcat destul Indicator acumulator: 2 LED-uri luminează (în roșu)
	Acumulatorul este aproximativ pe jumătate descărcat. Indicator acumulator: 1 LED luminează (în roșu)
	Acumulatorul este aproape descărcat. Reîncărcați acumulatorul cât mai curând posibil. Indicator acumulator: 1 LED clipește (în roșu)
	Contactați HiKOKI pentru inspecție. Indicator acumulator: 2 LED-uri clipesc în portocaliu, după 10 secunde, comutatorul de alimentare se oprește automat.
	Parte subțire
	Parte adâncă
	Avertisment
	Acțiune interzisă

SPECIFICAȚII

1. Mașină de bătut cuie de finisare cu acumulator

Model	NT1865DBAL		NT1865DBSL		
Motor	CC fără perii		CC fără perii		
Tip de cui suportat	15 Ga (Unghi: 34°)		16 Ga		
Lungimea suportată a cuiului	De la 32 mm la 65 mm		De la 25 mm la 65 mm		
Capacitate de încărcare a cuiului [cui]	100 (1 bandă)		100 (2 benzi)		
Mod de declanșare	Secvențială completă/ de contact (selectabil)		Secvențială completă/ de contact (selectabil)		
Rată ciclu	[cui/secundă]	3 (Intermitent)		3 (Intermitent)	
Acumulator	Model	BSL1830C		BSL1830C	BSL1850
	Tip	Acumulator Li-ion			
	Tensiune	CC 18 V			
Greutate*	3,5 – 4,1 kg		3,4 – 4,0 kg		
Dimensiune	Înălțime × Lungime × Lățime		315 mm × 298 mm × 104 mm		315 mm × 310 mm × 104 mm

* Conform Procedura EPTA 01/2014

În funcție de acumulatorul atașat. Greutatea cea mai mare este măsurată cu BSL36B18 (comercializat separat).

Română

2. Mașină de bătut caiele cu acumulator

Model	NT1850DBSL		
Motor	CC fără perii		
Tip de cui suportat	18 Ga		
Lungimea suportată a cuiului	De la 16 mm la 50 mm		
Capacitate de încărcare a cuielor [cui]	100 (1 bandă)		
Mod de declanșare	Secvențială completă/de contact (selectabil)		
Rată ciclu	[cui/secundă]	3 (Intermitent)	
Acumulator	Model	BSL1830C	BSL1850
	Tip	Acumulator Li-ion	
	Tensiune	CC 18 V	
Greutate*	3,3 – 4,0 kg		
Dimensiune	Înălțime × Lungime × Lățime	323 mm × 298 mm	323 mm × 310 mm
		× 104 mm	× 104 mm

* Conform Procedura EPTA 01/2014

În funcție de acumulatorul atașat. Greutatea cea mai mare este măsurată cu BSL36B18 (comercializat separat).

3. Încărcător acumulator

Model	UC18YFSL	UC18YML2
Tensiune de încărcare	CC 14,4 – 18 V	
Greutate	0,5 kg	0,7 kg

NOTĂ

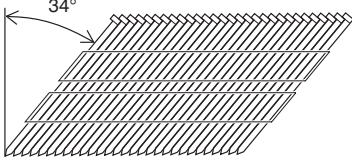
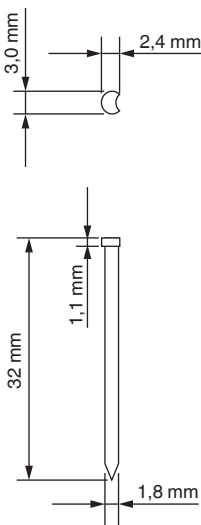

Ca urmare a programului continuu de cercetare și dezvoltare derulat de HiKOKI, prezentele specificații pot fi modificate fără notificare prealabilă.

SELECTARE CUI

Numai cuiile prezentate în tabelul de mai jos pot fi împușcate cu această mașină de bătut cui.

Dimensiuni ale cuielor

<NT1865DBAL>

	Min.	Max.
<p>Cuie de finisare cu grosimea de 15 (Unghi: 34°)</p> 		

<NT1865DBSL>

	Min.	Max.
	<p>Cuie de finisare cu grosimea de 16 (drept)</p>	

<NT1850DBSL>

	Min	Max.
	<p>Caietele cu grosimea de 18 (drept)</p>	
Cu excepția cuielor cu lungimea de 35 mm		

ACCESORII STANDARD

Pe lângă unitatea principală (1 unitate), pachetul conține și accesoriile enumerate la pagina 378.

Accesoriile standard sunt supuse modificărilor fără notificare prealabilă.

APLICAȚII

<NT1865DBAL, NT1865DBSL>

- Operația de a bate cuie ca proces de finisare pentru zonele din jurul ușilor, al ferestrelor, precum și pentru muchii.
- Fixarea fundului sertarelor. Realizarea de diferite sertare și dulapuri.

<NT1850DBSL>

- Asamblare dulap și cadru tablou, căptușire mobilă.
- Tapitare și cofrare pe teren și articole casnice mobile.

ÎNCĂRCARE

Înainte de a utiliza scula electrică, încărcați acumulatorii după cum urmează.

1. Conectați la sursa de alimentare. (Fig. 3)

Când încărcați acumulatorul de la o sursă de curent AC

- Conectați cablul de alimentare al încărcătorului la un conector adecvat.

Când conectați ștecul încărcătorului la un conector, lampa indicatoare va clipi în culoarea roșie (la interval de o 1 secundă).

PRECAUȚIE

Nu folosiți cablul de alimentare dacă este deteriorat. Duceți-l imediat la reparat.

Când încărcați acumulatorul de la o sursă de curent auto DC 12V (UC18YML2)

- Fixați încărcătorul acumulatorului în automobil.

Folosiți centura furnizată cu încărcătorul pentru a-l fixa și pentru a preveni orice mișcare accidentală. (Vedeți Fig. 28)

PRECAUȚIE

Nu depozitați încărcătorul sub scaunul conducătorului auto. Fixați încărcătorul pentru a preveni mișcările accidentale, care ar putea duce la accidente.



Fig. 28

- Introduceți fișa de conectare în bricheta electrică. Dacă fișa nu este fixă și iese din mufa pentru bricheta electrică, reparați mufa. Dacă mufa este defectă este recomandat să contactați reprezentantul auto local. Utilizarea constantă a mufei poate duce la accidente din cauza supraîncălzirii.

2. Introduceți acumulatorul în încărcător.

Introduceți bine acumulatorul în încărcător până când linia este vizibilă, așa cum se arată în Fig. 3. Liniile nu sunt afișate pe UC18YFSL. Asigurați-vă că acumulatorul este setat bine pe poziție.

3. Încărcare

Atunci când introduceți în încărcător un acumulator, încărcarea va fi inițializată iar lampa indicatoare se va aprinde în mod continuu în culoarea roșie. Atunci când acumulatorul se încarcă complet, lampa indicatoare va clipi în culoarea roșie. (La intervale de 1 secundă) (Vezi Tabelul 1)

(1) Semnificația lămpii indicatoare

Semnificațiile lămpii indicatoare sunt prezentate în Tabelul 1, conform stării încărcătorului sau a acumulatorului.

Tabelul 1


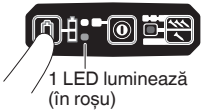
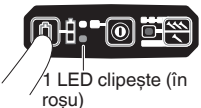
<UC18YFSL>

		Semnificațiile lămpii indicatoare	
Lampă de control (roșie)	Înainte de încărcare	Clipește	Luminează timp de 0,5 secunde. Nu luminează timp de 0,5 secunde. (stă stinsă timp de 0,5 secunde) █ █ █
	În timpul încărcării	Luminează	Luminează în mod continuu ████████████████████
	La încărcare completă	Clipește	Luminează timp de 0,5 secunde. Nu luminează timp de 0,5 secunde. (stă stinsă timp de 0,5 secunde) █ █ █
	Așteptare supraîncălzire	Clipește	Luminează timp de 1 secundă. Nu luminează timp de 0,5 secunde. (stă stinsă timp de 0,5 secunde) ████████████████████
	Încărcarea nu se poate efectua	Clipește	Luminează timp de 0,1 secunde. Nu luminează timp de 0,1 secunde. (stă stinsă timp de 0,1 secunde) ■ ■ ■ ■ ■ ■ ■ ■ ■ ■ ■ ■ ■ ■ ■ ■
			Acumulator supraîncălzit. Încărcare imposibilă. (Încărcarea va începe după ce acumulatorul se răcește)
			Defecțiune la acumulator sau la încărcător

PRECAUȚIE

- Dacă acumulatorul este încărcat în timp ce este încălzit, din cauză că a fost lăsat o perioadă lungă de timp într-o locație expusă la lumina directă a soarelui sau pentru că acumulatorul tocmai a fost folosit, lampa indicatoare a încărcătorului se aprinde timp de 1 secundă, nu se aprinde timp de 0,5 secunde (stinsă timp de 0,5 secunde) (UC18YFSL) sau se aprinde în culoarea verde. (UC18YML2). Într-un astfel de caz, lăsați mai întâi acumulatorul să se răcească, apoi începeți încărcarea.
- Când lampa indicatoare pâlpâie în culoarea roșie (la intervale de 0,2 secunde), verificați dacă în conectorul încărcătorului există obiecte străine și îndepărtați-le. În cazul în care nu există obiecte străine, este posibil ca acumulatorul sau încărcătorul să se fi defectat. Duceți-l la o unitate service autorizată.
- Întrucât microcalculatorul încorporat are nevoie de aproximativ 3 secunde pentru a confirma că acumulatorul încărcat cu UC18YFSL/UC18YML2 a fost scos, așteptați minimum 3 secunde înainte de a-l reintroduce pentru a continua încărcarea. Dacă acumulatorul este reinsertat înainte de trecerea a 3 secunde, acumulatorul nu poate fi încărcat corespunzător.
- Verificați tensiunea sursei de curent auto atunci când lampa indicatoare clipește în culoarea verde (la intervale de 1 secundă). (UC18YML2)
Dacă tensiunea este de 12V sau mai scăzută, indică faptul că acumulatorul automobilului este descărcat și nu poate încărcă.
- Dacă lampa indicatoare nu pâlpâie în culoarea roșie (la fiecare secundă) chiar dacă cablul încărcătorului sau fișa conectoare pentru bricheta electrică sunt conectate la curent, indică faptul că circuitul de protecție a încărcătorului poate fi activat.
Deconectați cablul sau fișa de la curent și reconectați-o după aproximativ 30 de secunde. Dacă această operațiune nu face ca lampa indicatoare să clipească în culoarea roșie (la fiecare secundă), vă rugăm să duceți încărcătorul la o unitate service autorizată de HIKOKI.

- (2) Comutator alimentare OPRIT (Consultați Fig. 4)
În starea „Comutator alimentare PORNIT”, împingeți și mențineți comutatorul de alimentare mai mult de 1 secundă, apoi indicatorul de alimentare se stinge.
În starea „Comutator de alimentare PORNIT”, funcțiile de mai jos sunt active.
- (3) Selectați modul de operare a mașinii de bătut cuie (Acționare secvențială completă/acționare de contact)
După trecerea comutatorului de alimentare pe PORNIT, setați întotdeauna în modul Acționare secvențială completă ca la început. (Indicatorul operației de a bate cuie se aprinde în culoarea albastră.) (Consultați Fig. 5)
Pentru a schimba modul operației de a bate cuie, împingeți o dată comutatorul operației de a bate cuie. Cu fiecare împingere, modul se va schimba între „Secvențială completă” și „De contact”. (Consultați Fig. 6)
Luminează (albastru):
MECANISM DE ACȚIONARE SECVENȚIALĂ COMPLETĂ,
Clipește (albastru):
MECANISM DE ACȚIONARE DE CONTACT
- (4) Verificați nivelul de încărcare rămasă în acumulator
La apăsarea comutatorului indicatorului acumulatorului, indicatorul acumulatorului indică nivelul de încărcare rămasă în acumulator prin starea lămpii LED ca mai jos.

Starea indicatorului	
 2 LED-uri luminează (în roșu)	Acumulatorul este încărcat destul.
 1 LED luminează (în roșu)	Acumulatorul este aproximativ pe jumătate descărcat.
 1 LED clipește (în roșu)	Acumulatorul este aproape descărcat. Reîncărcați acumulatorul cât mai curând posibil.

ÎNAINTE DE UTILIZARE

Acțiune	Figură	Pagină
Scoaterea și introducerea acumulatorului	2	379
Încărcare	3	380
Selectarea accesoriilor	—	385

1. Mod de operare a panoului de operare

- (1) Comutator alimentare PORNIT (Consultați Fig. 4)
În starea „Comutator alimentare OPRIT”, împingeți și mențineți comutatorul de alimentare mai mult de 1 secundă, apoi indicatorul de alimentare se aprinde în culoarea verde.

NOTĂ

Nu apăsați maneta de împingere și/sau nu trageți declanșatorul în timpul procesului de trecere a comutatorului de alimentare pe PORNIT.

Făcând acest lucru va împiedica trecerea comutatorului de alimentare pe PORNIT.

[Oprire automată a alimentării]

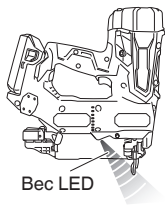

Atunci când alimentarea este pornită, dar mașina de bătut cuie nu este utilizată pentru 30 de minute, mașina de bătut cuie se oprește automat. Pentru a porni din nou, apăsați comutatorul de alimentare.

AVERTISMENT

Nu lăsați niciodată mașina de bătut cuie cu alimentarea pornită. Acest lucru poate duce la un accident.

(5) Alte funcții

În caz de eroare de operare, lămpile LED arată ca mai jos.

<p>Starea indicatorului</p>  <p>Bec LED</p> <p>Becul LED clipește într-un interval.</p> <ul style="list-style-type: none"> • În cazul stării de încălzire prea puternică, clipește în interval de 1 secundă. • În cazul stării de răcire prea puternică, clipește în interval de 0,5 secunde. <p>După 10 secunde, se opresc automat becul LED și comutatorul de alimentare.</p>	<p>Mașina este în stare prea rece (sub -5°C) sau prea fierbinte. Permiteți mașinii de bătut cuie să se răcească sau să se încălzească în profunzime în condiții corespunzătoare.</p>
 <p>2 LED-uri clipeșc în portocaliu, după 10 secunde, comutatorul de alimentare se oprește automat.</p>	<p>Contactați HiKOKI pentru inspecție.</p>

(6) Mod de utilizare a becului LED (Consultați Fig. 7)

În timp ce comutatorul de alimentare este pornit, becul LED va aprinde automat porțiunea de vârf a sculei.

PRECAUȚIE


- Nu expuneți ochiul dumneavoastră direct la lumină, uitându-vă la lumină.
 - În cazul în care ochiul dumneavoastră este expus în mod continuu la lumină, ochiul dumneavoastră va fi rănit.
 - Ștergeți orice urmă de murdărie sau funingine depusă pe obiectivul becului LED cu o cârpă moale, având grijă să nu zgâriați obiectivul.
- Zgârieturile de pe obiectivul becului LED pot duce la scăderea luminozității.



2. Mecanism de blocare a declanșatorului (Consultați Fig. 8)

AVERTISMENT

Asigurați-vă că declanșatorul este blocat atunci când nu sunt împușcate cuie.

Această mașină de bătut cuie are un mecanism de blocare pentru a împiedica împușcarea cuiei.

Setați maneta de blocare a comutatorului la poziția  pentru a bloca declanșatorul.

Glisați maneta de blocare a comutatorului la poziția  atunci când mașina de bătut cuie urmează a fi utilizată și la poziția  atunci când nu este în uz.

3. Testarea mașinii de bătut cuie

AVERTISMENT

- Asigurați-vă că declanșatorul este blocat atunci când nu sunt împușcate cuie. (Consultați Fig. 8)
- Nu utilizați niciodată mașina de bătut cuie decât dacă maneta de împingere funcționează în mod corespunzător. NT1865DBAL și NT1865DBSL utilizează un mecanism de prevenție pentru operarea în stare descărcată.

NT1865DBAL și NT1865DBSL intră într-o stare în care maneta de împingere nu poate fi împinsă în sus. Acest lucru are loc atunci când magazia nu este încărcată cu cuie sau numărul de cuie rămase devine mai mic de 6 sau 9.

PRECAUȚIE

Aveți grijă să nu aruncați vârful manetei de împingere peste lemn.

Înainte de a începe în mod efectiv munca de a bate cuie, testați mașina de bătut cuie utilizând lista de verificare de mai jos. Efectuați testele în următoarea ordine.

În cazul în care survine operarea anormală, opriți utilizarea mașinii de bătut cuie și contactați imediat un centru autorizat de service HiKOKI.

(1) ÎNDEPĂRTAȚI TOATE CUIELE ȘI ACUMULATORUL DIN MAȘINA DE BĂTUT CUIE.

TOATE ȘURUBURILE TREBUIE STRÂNSE.

MANETA DE ÎMPINGERE ȘI DECLANȘATORUL TREBUIE SĂ SE DEPLASEZE CU UȘURINȚĂ trăgând înapoi dispozitivul de alimentare cu cuie (B). (NT1850DBSL: Nu este necesar să trageți înapoi dispozitivul de alimentare cu cuie)

(2) Instalarea acumulatorului.

Nu acționați maneta de împingere sau declanșatorul în timp ce instalați acumulatorul. (Consultați Fig. 2)

(3) Porniți comutatorul de alimentare. (Consultați Fig. 1)

Porniți comutatorul de alimentare împingând și menținând comutatorul de alimentare pentru mai mult de 1 secundă. Asigurați-vă că indicatorul de alimentare luminează în culoarea verde și indicatorul operației de a bate cuie luminează în albastru. (MECANISM DE ACȚIONARE SECVENȚIALĂ COMPLETĂ)

NOTĂ

Nu apăsați maneta de împingere și/sau nu trageți declanșatorul în timpul procesului de trecere a comutatorului de alimentare pe PORNIT.

Făcând acest lucru va împiedica trecerea comutatorului de alimentare pe PORNIT.

[Oprire automată a alimentării]

Atunci când alimentarea este pornită, dar mașina de bătut cuie nu este utilizată pentru 30 de minute, mașina de bătut cuie se oprește automat. Pentru a porni din nou, apăsați comutatorul de alimentare.

AVERTISMENT

Nu lăsați niciodată mașina de bătut cuie cu alimentarea pornită. Acest lucru poate duce la un accident.

Indicator operație de a bate cuie

Luminează (albastru):

MECANISM DE ACȚIONARE SECVENȚIALĂ COMPLETĂ,

Clipește (albastru):

MECANISM DE ACȚIONARE DE CONTACT

Asigurați-vă că indicatorul acumulatorului nu clipește.

În cazul în care indicatorul acumulatorului clipește în culoarea roșie, acumulatorul nu are destulă energie și trebuie încărcat.

(4) Îndepărtați degetul de pe declanșator și apăsați maneta de împingere pe piesa de prelucrat trăgând înapoi dispozitivul de alimentare cu cuie (B).

MAȘINA DE BĂTUT CUIE NU TREBUIE SĂ FUNCȚIONEZE.

(5) Separați maneta de împingere de piesa de prelucrat.

Apoi, orientați mașina de bătut cuie în jos, trăgând înapoi dispozitivul de alimentare cu cuie (B), trageți declanșatorul și apoi așteptați în acea poziție timp de 5 secunde sau mai mult.

MAȘINA DE BĂTUT CUIE NU TREBUIE SĂ FUNCȚIONEZE.

Română

- (6) ① Fără a atinge declanșatorul, apăsați maneta de împingere pe piesa de prelucrat trăgând înapoi dispozitivul de alimentare cu cuie (B). Apoi, trageți declanșatorul.

MAȘINA DE BĂTUT CUIE TREBUIE SĂ FUNCȚIONEZE.

- ② Țineți declanșatorul înapoi și apăsați din nou maneta de împingere pe piesa de prelucrat.

MAȘINA DE BĂTUT CUIE NU TREBUIE SĂ FUNCȚIONEZE.

- ③ Separați degetul de declanșator. Apoi, ① este acționat din nou.

MAȘINA DE BĂTUT CUIE TREBUIE SĂ FUNCȚIONEZE.

- (7) Separați maneta de împingere de piesa de prelucrat, trageți declanșatorul. Apăsați maneta de împingere pe piesa de prelucrat în interval de 2 secunde.

MAȘINA DE BĂTUT CUIE NU TREBUIE SĂ FUNCȚIONEZE.

- (8) Setați modul de clipire PORNITĂ a indicatorului operației de a bate cuie. (MECANISM DE ACȚIONARE DE CONTACT)

Împingeți o dată comutatorul operației de a bate cuie, asigurându-vă că indicatorul clipește în albastru. Separați maneta de împingere de piesa de prelucrat, trageți declanșatorul. Apăsați maneta de împingere pe piesa de prelucrat în interval de 2 secunde.

MAȘINA DE BĂTUT CUIE TREBUIE SĂ FUNCȚIONEZE.

- (9) În cazul în care nu se observă nicio operare anormală, puteți încărca cuie în mașina de bătut cuie. Împușcați cuie în piesa de prelucrat care este de același tip cu cea care urmează a fi utilizată în aplicarea efectivă.

MAȘINA DE BĂTUT CUIE TREBUIE SĂ FUNCȚIONEZE CORESPUNZĂTOR.

4. Verificarea operațiilor manetei de împingere

AVERTISMENT

Asigurați-vă că declanșatorul este blocat atunci când nu sunt împușcate cuie.

Asigurați-vă întotdeauna că declanșatorul este blocat și acumulatorul îndepărtat din scula electrică atunci când verificați operațiile manetei de împingere.

Verificați pentru a vă asigura că maneta de împingere alunecă ușor atunci când este acționată.

Curățați zona de alunecare de pe maneta de împingere dacă aceasta nu alunecă ușor.

5. Încărcați cuie

AVERTISMENT

Când încărcați cuie în mașina de bătut cuie,

- 1) îndepărtați acumulatorul din mașina de bătut cuie;
- 2) nu trageți declanșatorul;
- 3) nu apăsați maneta de împingere; și
- 4) mențineți mașina de bătut cuie orientată în jos.

<NT1865DBAL, NT1865DBSL>

2-Alimentare cuie de acționare!

- (1) Introduceți banda de cuie în spatele magaziei. (Consultați Fig. 9)

- (2) Glisați banda de cuie spre înainte în magazie. (Consultați Fig. 10)

- (3) Împingeți dispozitivul de alimentare cu cuie (A) pentru a angrena dispozitivul de alimentare cu cuie (B) la banda de cuie. (Consultați Fig. 11)

NOTĂ

- Împingeți încet dispozitivul de alimentare cu cuie (A) și dispozitivul de alimentare cu cuie (B) contra cuiului.

În cazul în care dispozitivul de alimentare cu cuie (A) și dispozitivul de alimentare cu cuie (B) sunt eliberate din spatele magaziei și se lovesc de cui, adezivul de conectare al cuiului poate fi deteriorat.

- Utilizați o bandă de cuie de mai mult de 10 cuie.
- Utilizați o bandă de cuie care nu este ruptă, având toate cielele de aceeași lungime.

Mașina de bătut cuie este acum pregătită de operare.

Scoaterea cuielor:

- ① Trageți dispozitivul de alimentare cu cuie (B) în spate. (Consultați Fig. 12)

- ② Readuceți dispozitivul de alimentare cu cuie (B) încet în față în timp ce împingeți dispozitivul de alimentare cu cuie (A).

- ③ Trageți afară cuie din spatele magaziei. (Consultați Fig. 13)

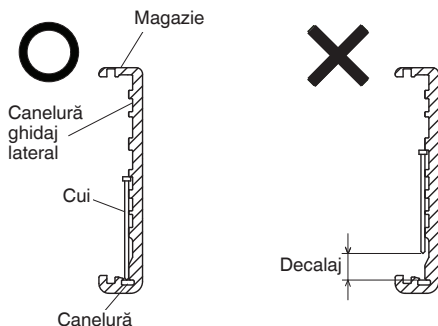
<NT1850DBSL>

- (1) Apăsați ușor maneta de oprire și trageți afară cu grijă capacul magaziei. (Consultați Fig. 14)

- (2) Setați banda de cuie în magazie și țineți vârful ciei în contact cu canelura. (Consultați Fig. 15)

NOTĂ

Cuiele prezentate la pagina 285 pot fi încărcate pe canelura ghidajului lateral al magaziei fără nicio reglare. Păstrați întotdeauna vârful ciei în contact cu canelura.



- (3) Glisați banda de cuie în ghidajul lamei. (Consultați Fig. 16)

- (4) Confirmați că banda de cuie este poziționată în mod corespunzător cu canelurile ghidajului lateral și cu canelura, apoi împingeți capacul magaziei în față pentru a putea fi prins în declic.

MOD DE UTILIZARE A MAȘINII DE BĂTUT CUIE

AVERTISMENT

- Nu îndreptați NICIODATĂ scula spre dumneavoastră sau spre alte persoane din zona de lucru.
- Țineți degetele LA DISTANȚĂ de declanșator atunci când nu împușcați cuie pentru a evita declanșarea accidentală.
- Nu utilizați cablul de alimentare dacă este deteriorat. Duceți-l imediat la reparat.
- Alegerea metodei de declanșare este importantă. Vă rugăm să citiți și să înțelegeți „1. Procedurile operației de a bate cuie” aflate mai jos.

- Înainte de a începe lucrul, verificați dispozitivul de comutare a operației de a bate cuie.
- Această mașină de bătut cuie HIKOKI include un dispozitiv de comutare a operației de a bate cuie.
- Înainte de a începe lucrul, asigurați-vă că dispozitivul de comutare este setat în mod corespunzător.
- Dacă dispozitivul de comutare nu este setat corespunzător, mașina de bătut cuie nu va funcționa corect.
- Nu puneți niciodată fața, mâinile sau picioarele lângă capul de declanșare în timpul utilizării.
- Nu împușcați cuie peste alte cuie sau cu mașina de bătut cuie la un unghi prea abrupt; cuiele pot ricoșa și pot răni pe cineva.
- Nu împușcați cuie în scânduri subțiri sau lângă colțuri și muchii ale piesei de prelucrat. Cuiele pot fi împușcate prin sau departe de piesa de prelucrat și pot lovi pe cineva.
- Nu împușcați cuie din ambele părți ale unui perete în același timp. Cuiele pot fi împușcate în și prin perete și pot lovi o persoană pe partea opusă.
- Nu utilizați niciodată mașina de bătut cuie care este defectuoasă sau care operează anormal.
- Nu utilizați mașina de bătut cuie ca ciocan.
- Îndepărtați toate dispozitivele de fixare rămase și acumulatorul din mașina de bătut cuie atunci când:
 - 1) efectuați lucrări de întreținere și de inspecție;
 - 2) verificați funcționarea corespunzătoare a manetei de împingere și a declanșatorului;
 - 3) atașați sau îndepărtați bușonul;
 - 4) curățați un blocaj;
 - 5) aceasta nu este în uz;
 - 6) părăsiți zona de lucru;
 - 7) o mutați într-o altă locație; și
 - 8) o înmânați unei alte persoane.
- Îndepărtați acumulatorul din mașina de bătut cuie atunci când:
 - 1) încărcăți cuie;
 - 2) rotiți dispozitivul de reglare.

Această mașină de bătut cuie HIKOKI este echipată cu un dispozitiv de comutare a operației de a bate cuie. Utilizați MECANISMUL DE ACȚIONARE SECVENȚIALĂ COMPLETĂ sau MECANISMUL DE ACȚIONARE DE CONTACT în conformitate cu întreaga lucrare care urmează a fi efectuată.

Explicarea diferitelor operații de a bate cuie

- MECANISM DE ACȚIONARE SECVENȚIALĂ COMPLETĂ:

Mai întâi, apăsați maneta de împingere pe lemn; apoi, apăsați declanșatorul pentru a împușca cuiul. Urmați aceeași ordine pentru a continua împușcarea cuielor.

După ce s-au bătut cuie o dată, bateria cuielor nu va mai fi posibilă decât după ce luați degetul de pe declanșator și ridicați complet scula de pe suprafața lemnului.

- MECANISM DE ACȚIONARE DE CONTACT: ACȚIONAREA DE CONTACT poate urma două secvențe diferite, în funcție de utilizarea dumneavoastră.

Pentru a împușca mai multe cuie:

1. Trageți declanșatorul.
2. Apăsați maneta de împingere pe lemn pentru a împușca cuiul.
3. În cazul în care declanșatorul este ținut înapoi, un cui va fi împușcat de fiecare dată când maneta de împingere este apăsată pe lemn.

Pentru a împușca un singur cui:

1. Apăsați maneta de împingere pe lemn.
2. Trageți declanșatorul pentru a împușca cuiul.
3. Îndepărtați degetul de pe declanșator și îndepărtați mașina de bătut cuie de pe lemn.

[Mecanism blocare mers în gol]

NT1865DBAL și NT1865DBSL utilizează un mecanism de prevenție pentru operarea în stare descărcată.

NT1865DBAL și NT1865DBSL intră într-o stare în care maneta de împingere nu poate fi împinsă în sus. Acest lucru are loc atunci când magazia nu este încărcată cu cuie sau numărul de cuie rămase devine mai mic de 6 sau 9.

PRECAUȚIE

Procedați cu atenție pentru a nu arunca vârful manetei de împingere pe lemn atunci când maneta de împingere nu poate fi împinsă în sus.

1. Proceduri ale operației de a bate cuie

Această mașină de bătut cuie este echipată cu maneta de împingere și nu operează decât dacă maneta de împingere este apăsată.

Există două metode de operare pentru a bate cuie cu această mașină de bătut cuie.

Acestea sunt:

1. Operare intermitentă (Împușcare declanșator);
2. Operare continuă (Împușcare manetă de împingere);

(1) Operare intermitentă (Împușcare declanșator)

Utilizați setarea MECANISMULUI DE ACȚIONARE SECVENȚIALĂ COMPLETĂ. (Consultați Fig. 17)

AVERTISMENT

- Pentru operarea intermitentă, setați comutatorul operației de a bate cuie la MECANISMUL DE ACȚIONARE SECVENȚIALĂ COMPLETĂ (Indicatorul operației de a bate cuie este iluminat în albastru.) (adică, Setări la MECANISMUL DE ACȚIONARE UNICĂ.)

- Pentru a evita împușcarea dublă sau împușcarea accidentală din cauza reculului.

- 1) Setări la MECANISMUL DE ACȚIONARE SECVENȚIALĂ COMPLETĂ.

- 2) Trageți declanșatorul rapid și ferm.

- ① Setări comutatorul operației de a bate cuie la MECANISMUL DE ACȚIONARE SECVENȚIALĂ COMPLETĂ (Indicatorul operației de a bate cuie este iluminat în albastru.)

(pentru a seta la MECANISMUL DE ACȚIONARE SECVENȚIALĂ COMPLETĂ).

(Setați dispozitivul de comutare la modul de iluminare în albastru a indicatorului operației de a bate cuie după cum este arătat în Fig. 17. În caz contrar, acesta va fi setat la MECANISMUL DE ACȚIONARE DE CONTACT.)

- ② Poziționați orificiul de ieșire a cuiului pe piesa de prelucrat cu degetul luat de pe declanșator.
- ③ Apăsați ferm maneta de împingere până când aceasta este complet apăsată.
- ④ Trageți declanșatorul pentru a împușca cuiul.
- ⑤ Îndepărtați degetul de pe declanșator și ridicați complet scula de pe suprafața lemnului.

Pentru a continua operația de a bate cuie într-o locație separată, deplasați mașina de bătut cuie de-a lungul lemnului, repetând pașii ② - ⑤ după cum este necesar.

NOTĂ

Operațiile ③ și ④ trebuie efectuate în interval de 2 secunde una față de cealaltă. Dacă trec mai mult de 2 secunde după ③, mașina de bătut cuie nu va funcționa în mod corespunzător. Dacă se întâmplă acest lucru, reîncercați de la ③.

- (2) Operare continuă (Împușcare manetă de împingere) Utilizând MECANISMUL DE ACȚIONARE DE CONTACT (Consultați Fig. 18)

AVERTISMENT

Pentru a evita împușcarea dublă sau împușcarea accidentală din cauza reculului.

- 1) Nu apăsați mașina de bătut cuie cu forță excesivă pe lemn.
- 2) Separați de lemn mașina de bătut cuie deoarece aceasta reculează după operația de a bate cuie.

- ① Setări comutatorul operației de a bate cuie la MECANISMUL DE ACȚIONARE DE CONTACT (Indicatorul operației de a bate cuie clipește în albastru.)

Română

(pentru a seta la MECANISMUL DE ACȚIONARE DE CONTACT).

(Setați dispozitivul de comutare la modul de clipire în albastru a indicatorului operației de a bate cuie complet după cum este arătat în Fig. 18. În caz contrar, acesta nu va funcționa corespunzător.)

- ② Trageți declanșatorul cu mașina de bătut cuie luată de pe piesa de prelucrat.
- ③ Apăsăți maneta de împingere pe piesa de prelucrat pentru a împușca un cui.
- ④ Deplasați mașina de bătut cuie de-a lungul piesei de prelucrat cu o mișcare de răsucire. Fiecare apăsare a manetei de împingere va împușca un cui.

De îndată ce numărul de cuie dorit a fost împușcat, îndepărtați degetul de pe declanșator.

NOTĂ

Operațiile ② și ③ trebuie efectuate în interval de 2 secunde una față de cealaltă. Dacă trec mai mult de 2 secunde după ②, mașina de bătut cuie nu va funcționa în mod corespunzător. Dacă se întâmplă acest lucru, reîncercați de la ②.

AVERTISMENT

- Țineți degetul departe de declanșator în afară de în timpul operației de a bate cuie, deoarece ar putea rezulta vătămări grave dacă maneta de împingere intră în mod accidental în contact cu dumneavoastră sau cu alte persoane în zona de lucru.
- Țineți mâinile și corpul dumneavoastră departe de zona de descărcare. Această mașină de bătut cuie HiKOKI poate ricoșa din reculul împușcării unui cui și un cui ulterior nedorit poate fi împușcat, cu posibilitatea de a provoca vătămare.

NOTĂ

○ Dacă toate avertismentele și instrucțiunile sunt respectate, operarea în siguranță este posibilă cu ambele sisteme: MECANISMUL DE ACȚIONARE SECVENȚIALĂ COMPLETĂ, MECANISMUL DE ACȚIONARE DE CONTACT.

- Manipulați întotdeauna cuiele și ambalajul cu grijă. În cazul în care scăpați cuiele, legătura de interclasare se poate rupe, lucru care va cauza alimentare greșită și blocaj.
- După operația de a bate cuie:

- 1) îndepărtați acumulatorul din mașina de bătut cuie;
- 2) îndepărtați toate cuiele din mașina de bătut cuie;

2. Reglarea adâncimii operației de a bate cuie

Pentru a vă asigura că fiecare cui străpunge la aceeași adâncime, asigurați-vă că mașina de bătut cuie este întotdeauna ținută ferm pe piesa de prelucrat.

În cazul în care cuiele sunt împușcate prea adânc sau prea la suprafață în piesa de prelucrat, reglați operația de bătut cuie în următoarea ordine.

- ① Îndepărtați acumulatorul din mașina de bătut cuie.
- ② În cazul în care cuiele sunt împușcate prea adânc, rotiți dispozitivul de reglare către partea subțire. (Consultați Fig. 19)
Reglările sunt în trepte de jumătate de rotație. În cazul în care cuiele sunt împușcate prea la suprafață, rotiți dispozitivul de reglare către partea adâncă. (Consultați Fig. 20)
- ③ Încetați rotirea dispozitivului de reglare atunci când se atinge o poziție potrivită pentru testarea operației de a bate cuie.
- ④ Conectați acumulatorul la mașina de bătut cuie. **PURTAȚI ÎNTOTDEAUNA OCHELARI DE PROTECȚIE.** Efectuați un test al operației de bătut cuie.
- ⑤ Îndepărtați acumulatorul din mașina de bătut cuie.
- ⑥ Alegeți o poziție potrivită pentru dispozitivul de reglare.

3. Utilizarea cârligului (Consultați Fig. 21, 22, 23) AVERTISMENT

La utilizarea cârligului, opriți comutatorul de alimentare (lumina verde „OPRITĂ”). Acordați atenție suficientă astfel încât echipamentul principal să nu cadă.

În cazul în care scula cade, există riscul unui accident.

Cârligul poate fi instalat pe partea stânga sau pe cea dreaptă. (cu excepția NT1865DBAL)

- ① Îndepărtați acumulatorul, apoi îndepărtați toate cuiele rămase din magazie.
- ② Țineți bine unitatea principală și îndepărtați șurubul utilizând o șurubelniță. (Consultați Fig. 21)
- ③ Îndepărtați cârligul și plăcuța cârligului. (Consultați Fig. 22)
- ④ Instalați cârligul pe cealaltă parte și fixați bine cu șurubul. (Consultați Fig. 23)

NOTĂ

Cârligul poate fi utilizat ca un dispozitiv de agățare.

4. Utilizarea bușonului (Consultați Fig. 24, 25) AVERTISMENT

Atunci când montați sau demontați bușonul, asigurați-vă că îndepărtați degetul de pe declanșator și îndepărtați toate dispozitivele de fixare rămase și acumulatorul din mașina de bătut cuie.

Dacă doriți să protejați suprafața piesei de prelucrat împotriva zgârieturilor sau a marcajelor efectuate de maneta de împingere, atașați bușonul accesoriu la maneta de împingere.

- ① Îndepărtați toate dispozitivele de fixare rămase și acumulatorul din mașina de bătut cuie.
- ② Puneți bușonul la baza manetei de împingere.
- ③ Bușonul este marcat pentru a indica ieșirea vârfului cuiului, făcând alinierea mai ușoară.
- ④ Atunci când nu utilizați bușonul, fixați în compartimentul de stocare localizat în partea opusă a magaziei.

NOTĂ

Bușonul poate reduce adâncimea operației de a bate cuie, din cauza grosimii acestuia. Este necesară reglarea din nou a adâncimii operației de a bate cuie.

5. Eliminarea unui blocaj

În cazul în care cuiele sunt blocate în capul de declanșare, îndepărtați-l și reglați operația de a bate cuie în următoarea ordine.

PRECAUȚIE

Îndepărtați acumulatorul din mașina de bătut cuie.

- ① Îndepărtați acumulatorul din mașina de bătut cuie.
- ② Îndepărtați toate cuiele.
- ③ Eliberați maneta de blocare și deschideți ghidajul plăcii. (Consultați Fig. 26)
- ④ Îndepărtați cuiul blocat cu o șurubelniță cu cap crestat. (Consultați Fig. 27)

PRECAUȚIE

- Nu loviți NICIODATĂ lama de acționare.
- Nu orientați NICIODATĂ scula către dumneavoastră sau către o altă persoană, pentru a evita riscul de vătămare prin împușcare accidentală.

Chiar dacă acumulatorul este îndepărtat din mașina de bătut cuie, există încă energia aerului comprimat care a rămas înăuntru.

- ⑤ Închideți placa ghidajului și prindeți cu declic.

NOTĂ

În cazul unui blocaj frecvent, contactați un centru de service autorizat HiKOKI.

ÎNȚREȚINERE ȘI VERIFICARE

PRECAUȚIE

Asigurați-vă că îndepărtați toate dispozitivele de fixare rămase și acumulatorul din mașina de bătut cuie înainte de întreținere și inspecție.

1. Inspectarea magaziei

- ① Îndepărtați acumulatorul din mașina de bătut cuie.
- ② Curățați magazia. Îndepărtați praful și așchiile de lemn care s-au acumulat probabil în magazie.

PRECAUȚIE

Verificați ca dispozitivul de alimentare cu cuie să gliceze cu ușurință trăgându-l cu degetul.

Dacă nu glicează cu ușurință, cuiele pot fi împușcate la un unghi neregulat și pot răni pe cineva.

2. Inspectarea șuruburilor de asamblare

Inspectați cu regularitate toate șuruburile de asamblare și asigurați-vă că sunt fixate corespunzător. Dacă există șuruburi care nu sunt fixe, fixați-le imediat. Nerespectarea avertismentului poate duce la riscuri serioase.

3. Întreținerea motorului

Bobina motorului este componenta principală a sculei electrice. Aveți grijă să nu deteriorați bobina și/sau să nu o udați cu ulei sau apă.

4. Inspectarea bornelor (sculă și acumulator)

Verificați pentru a vă asigura că șpanul și praful nu au fost colectate pe borne.

Ocazional verificați înainte, în timpul și după operare.

PRECAUȚIE

Îndepărtați orice șpan sau praf care s-ar fi putut colecta pe borne.

Nerespectarea acestei indicații ar putea avea ca rezultat defectarea sculei.

5. Curățarea exteriorului

Când scula electrică este murdară, ștergeți-o cu o cârpă moale uscată sau cu o cârpă înmuiată în soluție de apă cu săpun. Nu folosiți solvenți pe bază de clor, benzină și nici diluanți, deoarece aceștia topesc masele plastice.

6. Depozitare

Depozitați scula electrică într-un loc în care temperatura este sub 40°C și nu lăsați produsul la îndemâna copiilor.

NOTĂ

Depozitarea acumulatorilor litiu-ion.

Asigurați-vă că acumulatorii litiu-ion au fost complet încărcăți înainte de a-i depozita.

Depozitarea prelungită (3 luni sau mai mult) a acumulatorilor cu un nivel de încărcare scăzut poate duce la scăderea performanței, la reducerea semnificativă a timpului de utilizare a acumulatorilor sau poate face acumulatorii incapabili să stea încărcăți.

Cu toate acestea, timpul de utilizare a acumulatorilor semnificativ de redus poate reveni la normal prin încărcarea și utilizarea acumulatorilor în mod repetat, de două până la cinci ori.

Dacă durata de folosire a acumulatorului este foarte scurtă în ciuda încărcării și folosirii repetate, schimbați acumulatorii.

PRECAUȚIE

Pe durata folosirii și a operațiunilor de întreținere a mașinii trebuie respectate reglementările și standardele naționale privind securitatea.

Notă importantă pentru bateriile uneltelor HiKOKI cu acumulatori

Utilizați întotdeauna acumulatori originali. Nu garantăm siguranța și performanța unei alte dacă se utilizează alți acumulatori decât cei recomandați sau dacă acumulatorul original este dezmembrat sau modificat (cum ar fi demontarea și înlocuirea celulelor sau a altor părți interne).

GARANȚIE

Garantăm sculele electrice HiKOKI în conformitate cu reglementările statutare/specifice țării. Această garanție nu acoperă defectele sau daunele provocate de utilizarea necorespunzătoare, abuz sau de uzura și deteriorarea normale. În cazul în care aveți reclamații, vă rugăm să trimiteți scula electrică nedemontată, împreună cu CERTIFICATUL DE GARANȚIE care se găsește la finalul prezentelor Instrucțiuni de utilizare, la o unitate service autorizată de HiKOKI.

Informații privind zgomotul

Valori caracteristice ale zgomotului în conformitate cu EN 60745:

Nivelul puterii sunetului pentru o singură operație tipică de categoria A	L_{WA} , 1 s, d = 92 dB
Nivelul presiunii sunetului de emisie a unei singure operații tipice de categoria A	L_{pA} , 1 s, d = 81 dB
Incertitudine KpA: 3 dB	

Aceste valori sunt valori caracteristice corelate la sculă și nu reprezintă dezvoltarea sunetului la punctul de utilizare. Dezvoltarea zgomotului la punctul de utilizare va depinde, de exemplu, de mediul de lucru, de piesa de prelucrat, de suportul piesei de prelucrat și de numărul de operații de împușcare etc.

În funcție de condițiile de la locul de muncă și de forma piesei de prelucrat, trebuie efectuate măsurile de atenuare a zgomotului individual, cum ar fi poziționarea pieselor de prelucrat pe suporturi de amortizare a sunetului, împiedicând vibrarea piesei de prelucrat prin cuplare sau acoperire etc.

În cazuri speciale, este necesar să purtați echipament de protecție pentru auz.

Informații privind vibrațiile

Valoarea caracteristică a vibrației tipice în conformitate cu EN 60745: 2,6 m/s²
Incertitudine K: 1,5 m/s²

Aceste valori reprezintă o valoare caracteristică corelată la sculă și nu reprezintă influența asupra sistemului mână-brat atunci când se utilizează scula. O influență asupra sistemului mână-brat la utilizarea sculei va depinde, de exemplu, de forța de prindere, de forța presiunii de contact, de direcția de lucru, de reglarea alimentării cu energie, de piesa de prelucrat, de suportul piesei de prelucrat.

Valoarea totală declarată a vibrației a fost măsurată în conformitate cu o metodă de testare standard și poate fi utilizată pentru compararea unei scule cu altele. Mai poate fi utilizată pentru o evaluare preliminară a expunerii.

Română

AVERTISMENT

- Emisia de vibrații în timpul folosirii efective a sculei electrice poate diferi de valorile declarate, în funcție de modul de utilizare a sculei.
- Identificați măsuri de siguranță ce trebuie luate pentru protejarea operatorului și care sunt bazate pe estimarea expunerii, în condiții reale de utilizare (ținând seama de toate componentele ciclului de utilizare, cum ar fi timpul necesar opririi sculei și timpul de funcționare suplimentar la pornirea sculei).

NOTĂ

Ca urmare a programului continuu de cercetare și dezvoltare derulat de HiKOKI, prezentele specificații pot fi modificate fără notificare prealabilă.

Grafic de întreținere

ACȚIUNE	DE CE	CUM
Curățați magazia și mecanismul alimentatorului.	Prevenirea unui blocaj.	Curățați prin suflare zilnic.
Mențineți maneta de împingere în funcționare corectă.	Promovați siguranța operatorului și operarea eficientă a mașinii de bătut cuie.	Curățați prin suflare zilnic.

REMEDIEREA PROBLEMELOR

Dacă aparatul funcționează anormal, efectuați verificările din tabelul de mai jos. Dacă problema nu se remediază, consultați distribuitorul sau Centrul de service autorizat HiKOKI.

PROBLEMĂ	METODĂ DE VERIFICARE	CORECȚIE
Comutatorul de alimentare nu se aprinde. S-a aprins o dată, dar s-a stins în mod automat.	Acumulator descărcat.	Încărcați acumulatorul.
	Componente electronice interne deteriorate.	Contactați HiKOKI pentru înlocuire.
	Maneta de împingere și/sau declanșatorul sunt în stare PORNITĂ?	Mențineți maneta de împingere și declanșatorul în starea OPRITĂ.
Mașina de bătut cuie nu funcționează (Comutator alimentare PORNIT).	Țineți starea cu nicio operare peste 30 de minute? (Funcția de oprire automată a alimentării)	Împingeți și țineți comutatorul de alimentare mai mult de 1 secundă pentru a comuta pe „PORNIT”
	Mașina de bătut cuie nu este apăsată destul pe piesa de prelucrat.	Țineți ferm mașina de bătut cuie și apăsați complet pe piesa de prelucrat.
	Declanșatorul nu este tras suficient.	Trageți ferm declanșatorul.
	Trec mai mult de 2 secunde de la maneta de împingere PORNITĂ la declanșator PORNIT (sau de la declanșator PORNIT la maneta de împingere PORNITĂ).	Asigurați-vă că trec mai puțin de 2 secunde între maneta de împingere PORNITĂ și declanșator PORNIT (sau între declanșator PORNIT și maneta de împingere PORNITĂ).
	Mecanismul de prevenție este activat. (Nu sunt cuie sau prea puține dispozitive de fixare rămase) (cu excepția NT1850DBSL)	Reîncărcați cuie în magazie.
	Maneta de blocare a comutatorului (funcția de blocare a declanșatorului) este în poziția „PORNIT”.	Setați maneta de blocare a comutatorului în poziția „OPRIT”. (Consultați Fig. 8)
	Mașina este prea rece (sub -5°C) sau prea fierbinte. (Becul LED clipește la intervale regulate, iar comutatorul de alimentare se stinge după 10 secunde.) (Consultați pagina 289)	Permiteți mașinii de bătut cuie să se răcească sau să se încălzească în profunzime în condiții corespunzătoare.
Componente electronice interne deteriorate.	Contactați HiKOKI pentru înlocuire.	

PROBLEMĂ	METODĂ DE VERIFICARE	CORECȚIE
Mașina de bătut cuie funcționează, dar nu este împușcat niciun cui.	Magazia este murdară.	Curățați magazia prin suflare și prin ștergere.
	Verificați dacă există vreun blocaj.	Eliminați un blocaj (consultați Fig. 26, 27).
	Lama de acționare este uzată sau deteriorată?	Contactați HiKOKI pentru înlocuire.
	Arcul plan este slăbit sau deteriorat?	Înlocuiți arcul plan.
	Dispozitivul de alimentare cu cuie este deteriorat?	Înlocuiți dispozitivul de alimentare cu cuie.
	Verificați dacă sunt utilizate cuie corespunzătoare.	Utilizați numai cuie recomandate.
Împușcare slabă. Ciclu încet.	Verificați poziția dispozitivului de reglare pentru reglarea adâncimii operației de a bate cuie.	Reglați din nou conform Fig. 19, 20 .
	Lama de acționare este uzată?	Contactați HiKOKI pentru înlocuire.
	A scăzut presiunea aerului comprimat.	Contactați HiKOKI pentru înlocuire.
	Componente electronice interne deteriorate.	Contactați HiKOKI pentru înlocuire.
Împușcă prea adânc.	Verificați poziția dispozitivului de reglare pentru reglarea adâncimii operației de a bate cuie.	Reglați din nou conform Fig. 19, 20 .
Sare peste cuie. Alimentare intermitentă.	Verificați dacă sunt utilizate cuie corespunzătoare.	Utilizați numai cuie recomandate.
	Dispozitivul de alimentare cu cuie este deteriorat?	Înlocuiți dispozitivul de alimentare cu cuie.
	Arcul plan este slăbit sau deteriorat?	Înlocuiți arcul plan.
	Lama de acționare este uzată sau deteriorată?	Contactați HiKOKI pentru înlocuire.
Blocaj al cuielor. Cuiul împușcat s-a îndoit.	Verificați dacă sunt utilizate cuie corespunzătoare.	Utilizați numai cuie recomandate.
	Lama de acționare este uzată sau deteriorată?	Contactați HiKOKI pentru înlocuire.

SPLOŠNA VARNOSTNA NAVODILA ZA ELEKTRIČNA ORODJA

⚠ OPOZORILO

Preberite vsa varnostna opozorila in navodila.

Neupoštevanje opozoril in navodil lahko povzroči električni udar, požar in/ali resne telesne poškodbe.

Vsa opozorila in navodila shranite, ker jih boste v prihodnje še potrebovali.

Izraz »električno orodje« v opozorilih se nanaša na električno orodje, ki se napaja z električnim pogonom (z električnim kablom) in na akumulatorsko električno orodje (brez električnega kabla).

1) Varnost na delovnem mestu

- a) Delovno mesto mora biti čisto in dobro osvetljeno.

Nered in neosvetljena področja lahko povzročijo nezgodo.

- b) Električnega orodja ne uporabljajte v eksplozivnih okoljih, na primer v bližini vnetljivih tekočin, plinov ali prahu.

Električno orodje pri delu proizvaja iskre, ki lahko vnamejo prah ali hlape.

- c) Med delom z električnim orodjem ne dovolite, da bi se vam otroci ali druge osebe približale.

Z motenjem vaše pozornosti lahko izgubite nadzor nad orodjem.

2) Električna varnost

- a) Priključni vtičak električnega orodja mora ustrezati vtičnici.

Vtičaka ni dovoljeno kakor koli spreminjati.

Pri ozemljenih električnih orodjih ne uporabljajte vtičaveč z adapterji.

Nespremenjeni vtičaki in ustrezne vtičnice zmanjšujejo tveganje električnega udara.

- b) Preprečite stik z ozemljenimi površinami, kot so cevi, grelci, štedilniki in hladilniki.

Ko je vaše telo ozemljeno, je nevarnost električnega udara večja.

- c) Električnega orodja ne izpostavljajte dežju ali vlagi.

Vdor vode v električno orodje povečuje tveganje električnega udara.

- d) Ne zlorablajte kabla. Kabla ne uporabljajte za prenašanje električnega orodja in ne vlečite za kabel, če želite vtičak izvleči iz vtičnice.

Kabla ne izpostavljajte vročini, olju, ostrim robovom in premikajočim se delom.

Poškodovani in zapleteni kablil povečujejo tveganje električnega udara.

- e) Kadar uporabljate električno orodje zunaj, uporabljajte kabelski podaljšek, ki je primeren za delo na prostem.

Uporaba kabelskega podaljška, ki je izdelan za delo na prostem, je tveganje električnega udara manjše.

- f) Če je delo z električnim orodjem v vlažnem okolju neizogibno, uporabite stikalo za zaščito pred diferencnim tokom.

Zaščitno stikalo zmanjšuje tveganje električnega udara.

3) Osebnostna varnost

- a) Bodite pozorni, pazite kaj delate ter se dela z električnim orodjem lotite z razumom.

Električnega orodja ne uporabljajte, če ste utrujeni ali pod vplivom mamil, alkohola ali zdravil.

Trenutek nepozornosti med delom z električnim orodjem je lahko vzrok za resne telesne poškodbe.

- b) Uporabite osebno zaščitno opremo. Vedno nosite zaščitna očala.

Nošenje zaščitne opreme, kot so maska za prah, protizdrsní zaščitni čevlji, varnostna čelada ali zaščitni glušniki, kar je odvisno od vrste in načina uporabe električnega orodja, zmanjšuje tveganje telesnih poškodb.

- c) Izogibajte se nenameren zagon. Preden orodje priključite na električno omrežje in/ali na akumulator, preden ga dvignete ali nosite, se prepričajte da je orodje izklopljeno.

Prenašanje električnega orodja s prstom na stikalu ali priključitev vklopljenega električnega orodja na električno omrežje je lahko vzrok za nezgodo.

- d) Preden električno orodje vklopite, odstranite nastavitvena orodja in izvijače.

Orodje ali ključ, ki se nahaja na vrtečem del električnega orodja lahko povzroči telesne poškodbe.

- e) Izogibajte se nenormalni drži. Poskrbite za trdno stojišče in za stalno ravnotežje.

Na ta način lahko v nepričakovanih situacijah bolje nadzorujete električno orodje.

- f) Nosite primerna oblačila. Za delo ne nosite ohlapnih oblačil in nakita. Lase, oblačila in rokavice ne približujte premikajočim se delom naprave.

Ohlapna oblačila, nakit ali dolgi lasje se lahko ujamejo med premikajoče se dele.

- g) Če je na napravo možno montirati priprave za odsesavanje ali prestrezanje prahu, se prepričajte, da so te ustrezno priključene in pravilno uporabljene.

Zbiranje prahu lahko zmanjša nevarnosti povezane s prahom.

4) Uporaba in vzdrževanje električnega orodja

- a) Električnega orodja ne preobremenjujte. Za izbrano delo uporabite ustrezno električno orodje.

Z ustreznim električnim orodjem boste delo opravili bolje in varneje.

- b) Električnega orodja ne uporabljate, če stikalo za vklop/izklop orodja ne deluje.

Električno orodje, ki ga ni več možno vklopiti ali izklopiti, je nevarno in ga je potrebno popraviti.

- c) Pred nastavljanjem orodja, zamenjavo delov pribora ali shranjevanjem orodje, izvlecite vtičak električnega orodja iz elektrike in/ali odstranite akumulator.

S takšnimi preventivnimi varnostnimi ukrepi preprečujete nenameren zagon orodja.

- d) Električno orodje shranite izven dosega otrok in ne dovolite upravljati orodja osebam, ki orodja ne poznajo in niso prebrale teh navodil.

Električno orodje je nevarno v rokah neizkušenih uporabnikov.

- e) Vzdržujte električno orodje. Preverite pravilno delovanje premičnih delov orodja, poškodbe delov in druga stanja, ki bi lahko vplivala na delovanje električnega orodja.

V primeru poškodbe je potrebno električno orodje pred uporabo popraviti.

Slabo vzdrževano električno orodje je vzrok mnogih nesreč.

- f) Rezalno orodje naj bo ostro in čisto.

Pravilno vzdrževano rezalno orodje z ostrimi robovi se manj pogosto zatika in je lažje vodljivo.

- g) Električno orodje, pribor, vsadna orodja in podobno uporabljajte v skladu s temi navodili, pri čemer upoštevajte delovne pogoje in dejavnost, ki jo boste opravljali.

Uporabo električnega orodja v druge namene lahko privede do nevarne situacije.

- 5) **Uporaba in vzdrževanje akumulatorja**
- Polnite samo s polnilnikom, ki ga je določil proizvajalec.**
Polnilnik, ki je primeren za en tip akumulatorja lahko povzroči nevarnost požara, če ga uporabite z drugim akumulatorjem.
 - Električna orodja uporabljajte samo s posebej izdelanimi akumulatorji.**
Uporaba drugih akumulatorjev lahko povzroči tveganje poškodb in požara.
 - Ko akumulatorja ne uporabljate ga shranite v stran od kovinskih predmetov kot so sponke, kovanci, ključi, žebli, vijaki ter drugih manjših kovinskih predmetov, ki lahko povežejo en priključek z drugim.**
Kratek stik med priključki na akumulatorju lahko povzroči opekline ali požar.
 - Med nepravilno rabo lahko iz akumulatorja pride tekočina; izogibajte se stiku z njo. V primeru, da pride od stika, takoj operite z vodo. V primeru, da pride tekočina v stik z očmi, poiščite dodatno zdravniško pomoč.**
Tekočina iz akumulatorja lahko povzroči vnetje ali opekline.
- 6) **Servisiranje**
- Električno orodje lahko servisira le usposobljena oseba, ki mora uporabljati originalne nadomestne dele.**
Na ta način se ohrani varnost električnega orodja.

VARNOSTNI UKREP

Preprečite dostop otrokom in neusposobljenim osebam. Kadar orodja ne uporabljate ga shranite izven dosega otrok in neusposobljenih oseb.

OPOZORILA O BATERIJSKEM ZAKLJUČNEM ZABIJALNIKU ŽEBLJEV/ZABIJALNIKU MANJŠIH ŽEBLJEV

- Vedno domnevajte, da orodje vsebuje žeblje.**
Brezskrbno upravljanje s samodejnim kladivom lahko povzroči nepričakovano sproženje žebeljev in telesne poškodbe.
- Ne usmerjajte orodja proti sebi ali osebam v bližini.**
Nepričakovano sproženje bo sprožilo žebelj, ki povzroči poškodbo.
- Orodja ne sprožite, če ni trdno pritisnjeno na obdelovanca.**
Če orodje ni v stiku z obdelovancem, se lahko žebelj odbije od cilja.
- Če se žebelj zatakne v orodju, orodje odklopite z napajanja.**
Med odstranjevanjem zagozdenega žebelja se lahko zabijalnik nehote aktivira, če je povezan z napajanjem.
- Bodite previdni, ko odstranjujete zataknen žebelj.**
Mehanizem je lahko pod tlakom, žebelj pa se lahko silovito izstreli, ko se poskuša sprostiti zagozdeno stanje.
- Ne uporabljajte tega zabijalnika za pritrdjevanje električnih kablov.**
Ni namenjeno za vgradnjo električnega kabla in lahko poškoduje izolacijo električnih kablov, s tem pa povzroči električni udar ali nevarnost požara.

DODATNA VARNOSTNA NAVODILA

- Varno delovanje s pravilno uporabo.**
To orodje je bilo zasnovano za pribijanje žebeljev v les in podobne materiale. Uporabljajte samo za namene, za katere je narejeno.

2. Bodite pozorni na vžig in eksplozije.

Ker lahko iskre letijo med zabijanjem žebeljev, je to orodje nevarno uporabljati v bližini laka, barve, benzena, razredčila, bencina, plina, lepil in podobnih vnetljivih snovi, saj se lahko vnamejo ali eksplodirajo. Pod nobenimi pogoji tega orodja ne smete uporabljati v bližini takega vnetljivega materiala.

3. Vedno nosite zaščito za oči (zaščitna očala).



Med delom z električnim orodjem vedno nosite zaščitna očala in poskrbite, da jih uporabljajo tudi osebe v bližini.

Možnost, da bi delci žebeljev, ki niso bili pravilno udarjeni, vstopili v oči, je nevarna za oči. Zaščito za oči lahko kupite v

katerikoli trgovini z orodjem. Vedno nosite zaščito za oči, medtem ko uporabljate to orodje. Uporabljajte zaščito za oči ali masko s širokim vizirjem preko predpisanih očal. Delodajalci morajo vedno uveljavljati obvezno uporabo opreme za zaščito oči.

4. Zaščitite ušesa in glavo.

Ko zabijate žeblje, nosite naušnike in zaščito za glavo. Odvisno od pogojev prav tako zagotovite, da osebe v okolici uporabljajo naušnike in zaščito za glavo.

5. Bodite pozorni na osebe, ki delajo blizu vas.

Zelo nevarno bi bilo, če bi žebli, ki niso pravilno pribiti, zadeli druge osebe. Zato bodite pri uporabi tega orodja vedno pozorni na varnost oseb okoli vas. Vedno se prepračite, da nihče nima telesa, rok ali nog blizu izhoda za žeblje.

6. Nikoli ne usmerite izhoda za žeblje proti osebam.



Vedno domnevajte, da orodje vsebuje žeblje.

Če izhod za žeblje usmerite proti drugim osebam, lahko povzročite resne nesreče, če orodje nenamerno sprožite.

Pri povezovanju in odklopu baterije, med nalaganjem žebeljev ali podobnimi postopki se prepračite, da izhod za žeblje ni usmerjen v kakšno osebo (vključno z vami). Tudi če žebli niso naloženi, je praznjenje orodja, ki ga usmerite proti osebam, nevarno, zato tega nikoli ne počnite. Brez grobih šal. Spoštujte orodje kot delovni pripomoček.

7. Preverite potisni vzvod pred uporabo.

Pazite, da potisni vzvod deluje pravilno. (Potisni vzvod se lahko imenuje »Varnost«). Nikoli ne uporabljajte zabijalnika, če potisni vzvod ne deluje pravilno, v nasprotnem primeru bi zabijalnik lahko nepričakovano sprožil žebelj. Ne posegajte v ali odstranite potisni vzvod, sicer lahko ta postane neuporaben.

8. Izbira metode sprožitve je pomembna.

Preberite in razumite poglavje »KAKO SE UPORABLJA ZABIJALNIK« na strani 307.

9. Pred uporabo tega izdelka, se prepračite, da deluje pravilno in v skladu z vsebino »Testiranje zabijalnika« na strani 306.

10. Uporabljajte samo določene žeblje.

Nikoli ne uporabljajte drugih žebeljev kot tiste, ki so navedeni in opisani v teh navodilih.

11. Bodite previdni, ko povezuje baterijo.

Da se pri povezovanju baterije in vstavljanju žebeljev orodje ne bi po nesreči sprožilo, zagotovite naslednje.

- Ne dotikajte se sprožilca.
 - Ne dovolite, da bi sprožilna glava prišla v stik s katero koli površino.
 - Sprožilno glavo držite navzdol.
- Strogo upoštevajte zgornja navodila in vedno zagotovite, da noben del telesa, rok ali nog ni pred izhodom za žeblje.

12. Ne položite prsta brezskrbno na sprožilec.

Ne polagajte prsta na sprožilec, razen če dejansko zabijate žeblje. Če orodje nosite ali ga nekomu podate, ko imate prst na sprožilcu, lahko nenamerno sprožite žebelj in tako povzročite nesrečo.

13. Trdno pritisnite izhod za žeblje na material, ki ga želite pritrditi.

Pri zabijanju žebeljev izhod za žeblje močno pritisnite ob material, ki ga želite pritrditi. Če izhoda ne uporabljate pravilno, se lahko žebelji zvijajo.

14. Med uporabo držite roke in noge stran od sprožilne glave.



Obstaja velika nevarnost, da žebelj po pomoči zadene roke ali noge.

15. Pazite na povratni udarec orodja.

Med delovanjem se ne približujte zgornjemu delu orodja z glavo ipd. To je nevarno, saj se orodje lahko močno odzove, če žebelj, ki ga trenutno pribijate, pride v stik s prejšnjim žebeljem ali grčo v lesu.

16. Pazite na dvojno sprožitev zaradi povratnega udarca.

Če je potisni vzvod nenamerno dovoljen, da se ponovno dotakne obdelovanca po povratku, se bo naložil nezaželen žebelj.

Da bi se izognili tej nezaželeni dvojni sprožitvi,

- Vmesno delovanje (Sprožilno udarjanje)
 - 1) Preklopno napravo nastavite na MEHANIZEM POLNEGA ZAPOREDNEGA SPROŽANJA.
 - 2) Hitro in trdno pritisnite sprožilec.
- Neprekinjeno delovanje (sprožanje potisnega vzvoda)
 - 1) Zabijalnika ne pritisnite na les s prekomerno silo.
 - 2) Zabijalnik držite ločen od lesa, saj se po pritrditvi odbije.

17. Pazite pri zabijanju tanjših plošč ali na vogalih lesa.

Pri zabijanju tankih plošč lahko žebelji preidejo naravnost skozi, kar se lahko zgodi tudi pri zabijanju na vogalih lesa zaradi odboja žebeljev. V takšnih primerih vedno poskrbite, da za tanko ploščo ali ob lesu, ki ga zabijate, ni nikogar (in rok ali nog ipd.).

18. Istočasno zabijanje žebeljev na obeh straneh iste stene je nevarno.

Pod nobenim pogojem ne smete zabijanja izvajati istočasno na obeh straneh stene. To bi bilo zelo nevarno, saj bi žebelji lahko prešli skozi steno in tako povzročili poškodbe.

19. Ne uporabljajte električnega orodja na odrh, lestvah.

Električnega orodja ne uporabljajte za določeno uporabo, na primer:

- pri zamenjavi ene lokacije zabijanja za drugo, pri kateri je potrebna uporaba odrov, stopnic, lestev ali podobnih konstrukcij, npr. strešnih letev,
- za zapiranje škatal ali zabojev,
- za namestitev varnostnih sistemov za prevoz, npr. na vozila in vagona.

20. Odstranite vse preostale žeblje in baterijo iz zabijalnika, ko/če:

- 1) izvajate vzdrževanje in pregled;
- 2) preverjate pravilno delovanje potisnega vzvoda in sprožilca;
- 3) pritrjujete ali odstranjujete pokrov konice;
- 4) odstranjujete zastoj;
- 5) orodja ne uporabljate;
- 6) zapustite delovno področje;
- 7) se premeščate na drugo lokacijo; in
- 8) predate orodje drugi osebi.

Nikoli ne poskušajte odstraniti zastoja ali popravljati zabijalnika, razen če ste iz zabijalnika odstranili baterijo in vse preostale žeblje.

Zabijalnika nikoli ne puščajte brez nadzora, saj bi ga osebe, ki niso seznanjene z zabijalnikom, lahko uporabile in se poškodovale.

21. Odstranite baterijo iz orodja, če:

- 1) nakladate žeblje;
- 2) obračate prilagojevalnik.

22. Odklopite baterijo.

Pri pritrjevanju in odstranjevanju pokrovčka konice odklopite baterijo.

Pri pritrditvi pokrovčka konice na konico potisnega vzvoda in pri odstranjevanju, obvezno pred tem izključite baterijo. Obstaja velika nevarnost, če se žebelj sproži po pomoči.

23. Okolje delovanja za to napravo je med 0°C in 40°C, in tako zagotovite uporabo v tem temperaturnem območju. Naprava morda ne bo delovala pod 0°C ali nad 40°C.

24. Baterijo vedno polnite pri sobni temperaturi 0 – 40°C.

Temperatura, nižja od 0°C, bo povzročila prenapolnjenost, kar je nevarno. Baterije ni mogoče polniti pri temperaturi, višji od 40°C.

Najbolj primerna temperatura za polnjenje je med 20–25°C.

25. Polnilnika ne uporabljate neprekinjeno.

Ko zaključite s polnjenjem, pustite polnilnik mirovati približno 15 minut pred naslednjim polnjenjem baterije.

26. Ne dovolite, da bi v luknjo, ki povezuje polnilno baterijo prišel tujek.

27. Polnilne baterije in polnilnika nikoli ne razstavljajte.

28. V polnilni bateriji nikoli ne povzročite kratkega stika.

Kratek stik v bateriji bo povzročil visok električni tok in pregrevanje. Posledica tega bo pregrete ali poškodba baterije.

29. Baterije ne izpostavljajte ognju.

Če baterija pregori, lahko eksplodira.

30. Uporaba prazne baterije lahko poškoduje polnilnik.

31. Ko se življenjska doba baterije zmanjša za normalno uporabo, jo takoj nesite v trgovino, kjer ste jo kupili. Prazne baterije ne zavrzite.

32. V prezračevalne reže polnilnika ne vstavljajte predmetov.

Vstavljanje kovinskih ali vnetljivih predmetov v prezračevalne reže polnilnika lahko povzroči tveganje električnega udara ali poškodbo polnilnika.

33. NIKOLI ne dovolite, da bi magneti (ali podobne magnetne naprave) bili v bližini zabijalnika, saj ima le-ta v notranjosti magnetni senzor.

S tem lahko povzročite tveganje za poškodbe zaradi napake ali okvare.

34. Po daljšem delu je potrebno napravo ohladiti.

35. Električno orodje je za zaščito motorja opremljeno s temperaturnim zaščitnim stikalom.

Zaradi neprekinjenega dela se lahko zviša temperatura naprave, kar aktivira temperaturno zaščitno stikalo in samodejno ustavi delovanje. V tem primeru počakajte, da se električno orodje ohladi, preden nadaljujete z delom.

36. Ta izdelek lahko preneha delovati, ko je zaznana nepravilnost. V tem primeru preverite postavke, navedene v poglavju »ODPRAVLJANJE MOTENJ« na strani 311.

37. Stikalne plošče ne izpostavljajte močnim udarcem in pazite, da je ne zlomite. Zaradi tega lahko pride do težav.

38. Izdelka ne uporabljajte, če se orodje ali električni kontakti baterije (baterijski nosilec) deformirajo.

Nameščanje baterije lahko povzroči kratki stik, ki lahko vodi do izhajanja dima ali vžiga.

39. Na električnih kontaktih (baterijski nosilec) orodja se ne smejo nabrati ostružki ali prah.

○ Pred uporabo se prepričajte, da se na kontaktih niso nabrali ostružki in prah.

○ Med uporabo poskusite preprečiti padanje ostružkov ali prahu z orodja na baterijo.

○ Pri prekinitvi delovanja ali po uporabi orodja ne puščajte na območju, kjer je lahko izpostavljen padajočim ostružkom ali prahu.

To lahko povzroči kratki stik, ki lahko vodi do izhajanja dima ali vžiga.

OPOZORILO ZA LITIJI-IONSKO BATERIJO

Za podaljšanje življenjske dobe je litij-ionska baterija opremljena z zaščitno funkcijo, ki ustavi delovanje.

V spodaj opisanih primerih od 1 do 3 se pri uporabi tega izdelka, tudi če ugasnete stikalo, motor lahko ustavi. To ni težava, ampak rezultat zaščitne funkcije.

1. Ko se porabi preostala moč baterije, se motor ugasne. V tem primeru baterijo takoj napolnite.
2. Če je orodje preobremenjeno, se motor lahko ustavi. V tem primeru sprostite stikalo orodja in odstranite vzroke za preobremenitev. Po tem lahko orodje znova uporabite.
3. Če se baterija pregreje zaradi preobremenitve, se bo ustavil dovod moči. V tem primeru prenehajte z uporabo baterije in počakajte, da se ohladi. Po tem lahko orodje znova uporabite.

Prosimo, da upoštevate naslednja opozorila in svarila.

OPOZORILO

Da bi preprečili iztekanje baterije, ustvarjanje toplote, oddajanje dima, eksplozijo in vžig, prosimo, da upoštevate naslednja varnostna opozorila.

1. Preprečite nabiranje ostružkov in prahu na bateriji.
 - Med delom poskrbite, da ostružki in prah ne padajo na baterijo.
 - Med delom poskrbite, da se morebitni ostružki in prah z električnega orodja ne nabirajo na bateriji.
 - Neuporabljeno baterijo ne shranjujte na mestu, kjer je izpostavljena ostružkom in prahu.
 - Preden baterijo shranite odstranite ostružke ter prah, ki se lahko sprimejo na baterijo in ne hranite jo skupaj s kovinskimi deli (vijaki, željni itn.).
2. Baterijo ne prebadajte z ostrimi predmeti kot so željni, ne udarjajte s kladivom, ne stopite nanjo, jo ne mečite ali izpostavljajte težkih fizičnih udarom.
3. Vidno poškodovane ali deformirane baterije ne uporabljajte.
4. Ne uporabljajte baterije z nasprotno polarnostjo.
5. Baterije ne priključite neposredno na električne vtičnice ali cigaretni vžigalnik v avtomobilu.
6. Baterijo uporabljajte le za določene namene.
7. Če se baterija ne napolni tudi po preteku določenega časa polnjenja, polnjenje takoj prekinite.
8. Baterije ne postavljajte ali izpostavljajte visokim temperaturam ali visokem pritisku, na primer v mikrovalovni pečici, sušilcu ali visokotlačni komori.
9. Ob zaznavi iztekanja ali neprijetnega vonja jo takoj odmaknite od ognja.
10. Ne uporabljajte je v prostorih, kjer se ustvarja močna statična elektrika.
11. Ob iztekanju baterije, čudnem vonju, ustvarjanju toplote, razbarvanju ali deformaciji oziroma v kolikor je videti čudna med uporabo, polnjenjem ali shranjevanjem jo takoj odstranite iz opreme ali polnilnika in jo prenehajte uporabljati.
12. Ne potaplajte baterije in ne dovolite, da vanjo stečejo kakršnekoli tekočine. Vstop prevodne tekočine, kot je voda, lahko povzroči poškodbe ter posledično požar ali eksplozijo. Baterijo shranjujte na hladnem, suhem mestu, stran od lahko vnetljivih in gorljivih predmetov. Izogibati se je potrebno jedkim plinskim ozračjem.

POZOR

1. Če tekočina, ki izteka iz baterije pride v stik z vašimi očmi jih ne drgnite, ampak jih operite s svežo, čisto vodo ter takoj obiščite zdravnika. Če ne boste obiskali zdravnika, lahko tekočina povzroči težave z očmi.
2. V primeru, da tekočina pride v stik s kožo ali oblačili jih takoj operite s čisto vodo. Obstaja možnost, da lahko to povzroči draženje kože.
3. Če opazite rjo, čuden vonj, pregrevanje, razbarvanje, deformacijo in/ali druge nepravilnosti pri prvi uporabi baterije, je ne uporabljajte in jo vrnite dobavitelju ali prodajalcu.

OPOZORILO

Če v priključek litij-ionske baterije pride prevoden tujek, lahko pride v bateriji do kratkega stika, kar lahko sproži požar. Ob shranjevanju litij-ionske baterije upoštevajte naslednjo vsebino.

- V škatlo za shranjevanje ne shranjujte prevodnih stvari, žebeljev in žic kot sta železna in bakrena žica.
- Da preprečite nastanek kratkega stika, namestite baterijo v orodje ali pa varno vstavite pokrov baterije, ki pokriva prežračevalno režo.

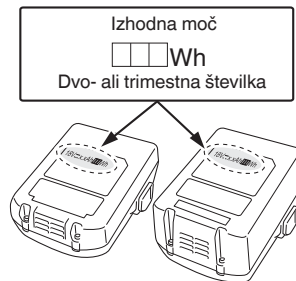
GLEDE TRANSPORTA LITIJEVIH BATERIJ

Pri transportu litijevih baterij upoštevajte naslednje previdnostne ukrepe.

OPOZORILO

Obvestite transportno podjetje o tem, da paket vsebuje litijevno baterijo, in o izhodni moči ter upoštevajte navodila transportnega podjetja, ko urejate prevoz.

- Litijevne baterije, ki imajo izhodno moč višjo od 100 Wh so označene kot nevarno blago in za njih boste morali izpolniti posebne prijavnne postopke.
- Pri mednarodnem transportu morate upoštevati mednarodno zakonodajo in pravila ter ureditve ciljne države.



IMENA DELOV (SI. 1 – SI. 28)

①	Zgornji pokrov
②	Sprožilo
③	Lučka LED
④	Sprožilna glava (izhod)
⑤	Potisna ročica
⑥	Podajalnik žebeljev (A)
⑦	Podajalnik žebeljev (B)
⑧	Nabojnik
⑨	Kljuka
⑩	Baterija
⑪	Ročica za blokado stikala
⑫	Ročaj
⑬	Ustavitev ročice
⑭	Kontrolno stikalo napolnjenosti
⑮	Indikator napolnjenosti
⑯	Stikalo za upravljanje z žebeljem

Slovenščina












17	Indikator vklopa
18	Stikalo za vklop/izklop
19	Indikator delovanja zabijanja
20	Trak za žeblje
21	Pokrov nabojnika
22	Utor
23	Vodilo rezil
24	Nastavitelj
25	Pritrjevalna plošča
26	Kapica za konico
27	Zaklop ročice
28	Vodilna plošča

	MEHANIZEM POLNEGA ZAPOREDNEGA SPROŽANJA
	Način MEHANIZMA POLNEGA ZAPOREDNEGA SPROŽANJA Indikator delovanja zabijanja: Luč v modri barvi
	MEHANIZEM KONTAKTNEGA SPROŽANJA
	Način MEHANIZMA KONTAKTNEGA SPROŽANJA Indikator delovanja zabijanja: Utripa v modri barvi
	Zaklep sprožilca
	Sprožilec je odklenjen
	Kontrolno stikalo napoljenosti
	Baterija je dovolj polna Indikator napoljenosti: 2 luči LED (rdeči)
	Baterija je napolnjena. Indikator baterije: 1 zasveti LED (rdeča)
	Baterija je skoraj prazna. Čim prej napolnite baterijo. Indikator baterije: 1 LED (rdeča) utripa
	Obrnite se na HiKOKI za pregled. Indikator napoljenosti: 2 lučki LED utripata v oranžni barvi, po 10 sekundah se samodejno izklopi stikalo za vklop/izklop.
	Plitka stran
	Globoka stran
	Opozorilo
	Prepovedan postopek

SIMBOLI

OPOZORILO

V nadaljevanju so prikazani simboli, uporabljeni pri stroju. Pred uporabo se prepričajte, da jih razumete.

	NT 1865DBAL: Baterijski zaključni zabijač žebeljev NT 1865DBSL: Baterijski zaključni zabijač žebeljev NT 1850DBSL: Baterijski zabijalnik manjših žebeljev
	Da ne bi prišlo do poškodb, mora uporabnik prebrati navodila.
	Samo za države EU Električni orodij ne odlagajte med hišne odpadke! V skladu z evropsko direktivo 2012/19/EU o odpadni električni in elektronski opremi in njeni uresničitvi v skladu z nacionalnim pravom se morajo električna orodja, ki so dosegla življenjsko dobo ločeno zbirati in okolju prijazno reciklirati.
	Enosmerni tok
	Stikalo za vklop
	Stikalo za izklop
	Odklopite baterijo
	Stikalo za vklop/izklop
	Stikalo za izklop
	Stikalo za vklop Indikator vklopa: Luč v zeleni barvi
	Stikalo za upravljanje z žebļem

SPECIFIKACIJE

1. Baterijski zaključni zabijač žebeljev

Model	NT1865DBAL		NT1865DBSL
Motor	Brezkrtični DC		Brezkrtični DC
Uporaben žebelj	15 Ga (Kot: 34°)		16 Ga
Veljavna dolžina žebļa	32 mm do 65 mm		25 mm do 65 mm
Zmogljivost nalaganja žebeljev [žebļji]	100 (1 trak)		100 (2 trakova)
Način sprožanja	Polno zaporedje/Stik (izbirno)		Polno zaporedje/Stik (izbirno)
Hitrost cikla	[žebļji/sekundo]	3 (občasno)	
Baterija	Model	BSL1830C	BSL1830C BSL1850
	Vrsta	Li-ionska baterija	
	Napetost	DC 18 V	
Teža*	3,5 – 4,1 kg		3,4 – 4,0 kg
Dimenzije Višina x Dolžina x Širina	344 mm x 300 mm x 104 mm		315 mm x 298 mm x 104 mm 315 mm x 310 mm x 104 mm

* Glede na postopek EPTA 01/2014

Ovisno od priložene baterije. Največja teža se meri z BSL36B18 (na voljo posebej).

2. Baterijski zabijalnik manjših žebeljev

Model	NT1850DBSL		
Motor	Brezkrtični DC		
Uporaben žebelj	18 Ga		
Veljavna dolžina žebļa	16 mm do 50 mm		
Zmogljivost nalaganja žebeljev [žebļji]	100 (1 trak)		
Način sprožanja	Polno zaporedje/Stik (izbirno)		
Hitrost cikla	[žebļji/sekundo]	3 (občasno)	
Baterija	Model	BSL1830C	BSL1850
	Vrsta	Li-ionska baterija	
	Napetost	DC 18 V	
Teža*	3,3 – 4,0 kg		
Dimenzije Višina x Dolžina x Širina	323 mm x 298 mm x 104 mm	323 mm x 310 mm x 104 mm	

* Glede na postopek EPTA 01/2014

Ovisno od priložene baterije. Največja teža se meri z BSL36B18 (na voljo posebej).

3. Polnilc baterije

Model	UC18YFSL	UC18YML2
Napetost polnilnika	DC 14,4 – 18 V	
Teža	0,5 kg	0,7 kg

OPOMBA

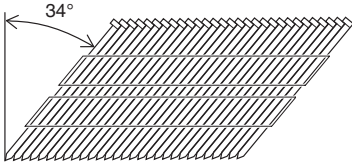
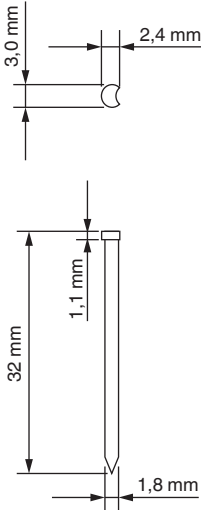

Zaradi HIKOKIJEVEGA programa nenehnega raziskovanja in razvoja se specifikacije lahko spremenijo brez predhodnega obvestila.

IZBIRA ŽEBLJA

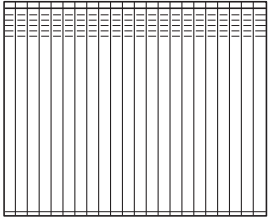
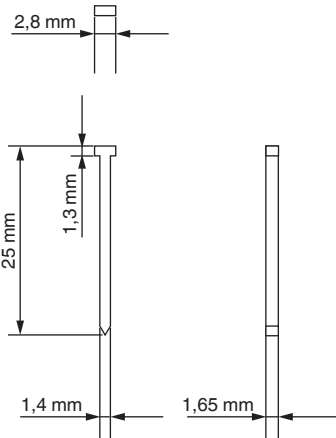

S tem zabijalnikom lahko naložite samo žeblje, prikazane v spodnji tabeli.

Dimenzije žebeljev

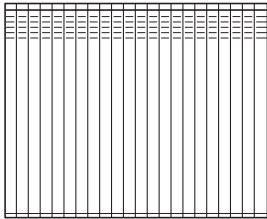
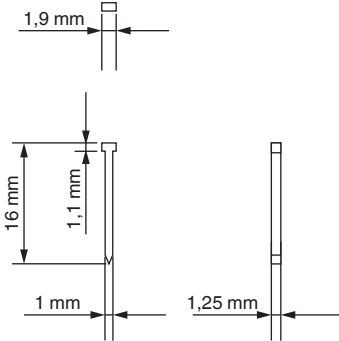

<NT1865DBAL>

	Min.	Maks.
<p>15 Žebelji za zaključek merilnikov (Kot: 34°)</p> 		

<NT1865DBSL>

	Min.	Maks.
<p>16 Žebelji za zaključek merilnikov (naravnost)</p> 		

<NT1850DBSL>

	Min.	Maks.
<p>18 Tapetniških žebeljev za zaključek merilnikov (naravnost)</p> 		
	Brez nohtov, ki v dolžino merijo 35 mm	

STANDARDNA OPREMA

Zraven glavnega orodja (1 orodje) vsebuje paket pribor napisan na strani 378.

Standardni pribor se lahko spremeni brez obvestila.

UPORABA

<NT1865DBAL, NT1865DBSL>

○ Zabijanje kot zaključni postopek za območja okrog vrat, oken in robov.

○ Pritrnitev dna predalov. Izdelava različnih ohišij in omar.

<NT1850DBSL>

○ Montaža omarice in okvirja za slike, pohištvo.

○ Oprema na kraju samem in mobilna hišica ter oblikovanje.

POLNJENJE

Pred uporabo električnega orodja napolnite baterijo po sledečem postopku.

1. Priklopite v elektriko. (SI. 3)

Polnjenje baterije preko izmeničnega toka

○ Napajalni kabel polnilnika vključite v vtičnico.

Ob priključitvi vtičnika polnilnika v vtičnico bo kontrolna lučka utripala v rdeči barvi (v 1 sekundnih intervalih).

POZOR

Ne uporabite električnega kabla, če je poškodovan.

Nemudoma ga dajte popraviti.

Polnjenje baterije z istosmernim tokom preko 12V avtomobilskega priključka (UC18YML2)

○ V avtomobilu pritrpite polnilnik baterije.

Pri tem uporabite trak, ki ste ga dobili s polnilnikom baterije, da pritrpite polnilnik na mesto in preprečite, da bi se prosto premikal. (Glej **SI. 28**)

POZOR

Polnilnika ali baterije ne dajajte pod sedež voznika. Polnilnik pritrдите na mesto in tako preprečite njegovo prosto premikanje, ki lahko povzroči nesrečo.



SI. 28

○ Priklopite vtičak za cigaretne vžigalnik v vtičnico za cigaretne vžigalnik.

Če je vtičak ohlapen in pada iz vtičnice za cigaretne vžigalnik, popravite vtičnico. V primeru, da je vtičnica pokvarjena pokličite avtomobilskega serviserja. Nenehna uporaba vtičnice je lahko vzrok nesreče zaradi pregretja.

2. Vstavite baterijo v polnilnik.

Trdno vstavite baterijo v polnilnik tako, da je linija vidna, kot je prikazano na **SI. 3**.

Linije niso prikazane na UC18YFSL. Prepričajte se, da je baterija trdno nameščena.

3. Polnjenje

Ko vstavite baterijo v polnilnik, se postopek polnjenja začne in kontrolna lučka neprekinjeno sveti rdeče.

Ko je baterija povsem napolnjena, kontrolna lučka utripa v rdeči barvi. (v 1 sekundnih intervalih) (Glej **Tabela 1**)

(1) Označba kontrolne lučke

Označbe kontrolne lučke bodo takšne kot je prikazano v **Tabela 1**, glede na pogoje polnilnika ali baterije za polnjenje.

Tabela 1

<UC18YFSL>

Označbe kontrolne lučke				
Kontrolna lučka (rdeča)	Pred polnjenjem	Utripa	Sveti za 0,5 sekunde. Ne sveti za 0,5 sekunde. (ugasne se za 0,5 sekunde)	/
	Med polnjenjem	Sveti	Nenehno sveti	
	Polnjenje končano	Utripa	Sveti za 0,5 sekunde. Ne sveti za 0,5 sekunde. (ugasne se za 0,5 sekunde)	
	Mirovanje po prejetju	Utripa	Sveti za 1 sekundo. Ne sveti za 0,5 sekunde. (ugasne se za 0,5 sekunde)	Pregreta baterija. Ni mogoče napolniti. (Polnjenje se bo izvršilo, ko se baterija ohladi)
	Polnjenje ni možno	Utripa	Sveti za 0,1 sekunde. Ne sveti za 0,1 sekunde. (ugasne se za 0,1 sekunde)	Napaka v bateriji ali polnilniku

<UC18YML2>

Označbe kontrolne lučke				
Kontrolna lučka se zasveti ali utripa v rdeči.	Pred polnjenjem	Utripa	Sveti za 0,5 sekunde. Ne sveti za 0,5 sekunde. (ugasne se za 0,5 sekunde)	/
	Med polnjenjem	Sveti	Nenehno sveti	
	Polnjenje končano	Utripa	Sveti za 0,5 sekunde. Ne sveti za 0,5 sekunde. (ugasne se za 0,5 sekunde)	
	Polnjenje ni možno	Utripa	Sveti za 0,1 sekunde. Ne sveti za 0,1 sekunde. (ugasne se za 0,1 sekunde)	Napaka v bateriji ali polnilniku
Kontrolna lučka se zasveti ali utripa v zeleni.	Mirovanje po prejetju	Sveti	Nenehno sveti	Pregreta baterija. Ni mogoče napolniti. (Polnjenje se bo izvršilo, ko se baterija ohladi)
	Polnjenje z avtomobilskim priključkom ni možno	Utripa	Sveti za 0,5 sekunde. Ne sveti za 0,5 sekunde. (ugasne se za 0,5 sekunde)	DC 12 V napajanje je napačno

OPOMBA: V času mirovanja, UC18YML2 ohladi pregreto baterijo s pomočjo hladilnega ventilatorja.
(Hladilni ventilator ne deluje, ko polnite baterijo z 12 V avtomobilskim priključkom.)

(2) Glede temperature polnilne baterije.
Temperature za polnilne baterije so kot je prikazano v **Tabeli 2**, vroče baterije pa se morajo pred ponovnim polnjenjem ohladiti.

Tabela 2 Razpon polnjenja baterij

Polnilne baterije	Temperature pri katerih se lahko baterija polni
BSL1830C, BSL1850	0°C – 50°C

(3) Čas polnjenja
Čas polnjenja glede na kombinacijo polnilnika in baterij je prikazan v **Tabeli 3**.

Tabela 3 Čas polnjenja (pri 20°C) (napajanje AC/DC 12 V (avtomobilsko) napajanje)

Baterija	Polnilnik	UC18YFSL	UC18YML2
BSL1830C		Približno 45 minut	Približno 45/120 minut
BSL1850		Približno 75 minut	Približno 75/200 minut

OPOMBA

Čas polnjenja je odvisen od temperature okolja in napetosti električnega vira.

<UC18YML2>

Polnjenje preko 12V avtomobilskega priključka bo pri višjih temperaturah trajalo dalj časa.

POZOR

Če se polnilnik uporablja dalj časa, se bo ta segrel, zaradi česar lahko pride do napak. Ko se polnjenje zaključi, naj polnilnik miruje vsaj 15 minut do naslednjega polnjenja.

4. Izklopite vtičak polnilnika iz vtičnice ali vtičnice cigaretnega vžigalnika.**5. Polnilnik trdno primate in izvlecite baterijo.****OPOMBA**

Baterijo izvlecite iz polnilnika po uporabi in jo shranite.

V zvezi z električnim tokom v primeru novih baterij itd.

Ker notranja kemijska snov novih baterij in baterij, ki niso bile dlje časa uporabljene, ni aktivirana, je lahko električni tok nizek, ko jih uporabljate prvič in drugič. To je časovno omejen pojav in normalen čas, potreben za polnjenje, se povrne po 2 – 3 polnjenjih baterije.

Kaj storiti za daljše delovanje baterij.

- (1) Baterije napolnite, preden se popolnoma sprazniyo. Če začutite, da moč orodja upada, ga prenehajte uporabljati in napolnite njegovo baterijo. Če nadaljujete z uporabo orodja in porabite električni tok, se lahko baterija poškoduje, kar skrajša njeno življenjsko dobo.
- (2) Izogibajte se polnjenju pri visokih temperaturah. Akumulatorska baterija bo takoj po uporabi vroča. Če boste takšno baterijo polnili takoj po uporabi, se bo njena notranja kemijska snov izčrpala in življenjska doba baterije se bo skrajšala. Pustite baterijo in jo napolnite potem, ko se je nekaj časa ohlajala.

POZOR

- Če je baterija napolnjena med segrevanjem, ker je dlje časa puščala na mestu, ki je izpostavljeno neposredni sončni svetlobi ali ker je baterija pravkar uporabljena, pilotska lučka polnilnika sveti 1 sekundo, ne sveti 0,5 sekunde (izklopljeno za 0,5 sekunde) (UC18YFSL) ali sveti zeleno. (UC18YML2). V takem primeru najprej počakajte, da se baterija ohladi, in šele nato pričnite s polnjenjem.
- Ko kontrolna lučka utripa rdeče (vsake 0,2 sekundi), preverite, ali so na kontaktnih polnilnika tujki, in jih odstranite. Če tujkov ni, gre verjetno za okvaro baterije ali polnilnika. Odnosite ju v pooblaščen servisni center.
- Ker traja približno 3 sekunde, preden vgrajeni mikroročunalnik zazna, da ste baterijo, ki jo polnite v polnilniku UC18YFSL/UC18YML2, vzeli iz polnilnika, počakajte najmanj 3 sekunde, preden jo znova vstavite in nadaljujete s polnjenjem. Če baterijo vstavite, preden pretečejo 3 sekunde, se morda ne bo pravilno napolnila.
- Preverite napetost vira napajanja v avtomobilu, ko pilotska lučka utripa zeleno (v intervalih 1 sekunde). (UC18YML2)
Če je napetost 12 V ali manj, je avtomobilska baterija oslabiljena in je ni mogoče napolniti.
- Če kontrolna lučka ne utripa rdeče (vsako sekundo), čeprav je vtičak polnilnika ali vtičak cigaretnega vžigalnika priključen na napetost, se je vključil zaščitni tok polnilnika.
Odstranite vtičak iz napetosti in ga po 30 sekundah ponovno priklopite. Če kontrolna lučka še vedno ne bo utripala rdeče (vsako sekundo), odnesite polnilnik na pooblaščen HIKOKI servis.

PRED UPORABO

Dejanje	Slika	Stran
Odstranitev in vstavljanje baterije	2	379
Polnjenje	3	380
Izbior pribora	—	385

1. Kako upravljati nadzorno ploščo**(1) Stikalo za vklop (glejte SI. 4)**

Pod pogojem, da je »Stikalo IZKLOPLJENO«, pritisnite in zadržite stikalo za vklop/izklop za več kot 1 sekundo in indikator napajanja bo svelil zeleno.

OPOMBA

Med pritiskanjem stikala za vklop/izklop ne pritisčajte potisnega vzvoda in/ali ne povlecite sprožilca.

S tem preprečite, da bi se vklopilo stikalo.

[Samodejni izklop]

Ko je napajanje vklopljeno, vendar zabijalnik ni v uporabi več kot 30 minut, se le-ta samodejno izklopi. Za izklop znova pritisnite stikalo za vklop/izklop.

OPOZORILO

Nikoli ne puščajte vklopljenega zabijalnika. To lahko privede do nesreče.

(2) Stikalo za IZKLOP (glejte SI. 4)

Pod pogojem, da je »stikalo VKLOPLJENO«, pritisnite in zadržite stikalo za vklop/izklop za več kot 1 sekundo in indikator napajanja se bo ugasnil.

Pod pogojem, da je »Stikalo VKLOPLJENO«, so aktivne spodnje funkcije.

(3) Izberite način delovanja zabijanja

(Polno zaporedno sprožanje/kontaktno sprožanje)

Po vklopu stikala za vklop vedno nastavite način polnega zaporednega sprožanja kot začetni. (Indikatorna lučka za delovanje zabijanja je v modri.) (Glej SI. 5)

Če želite spremeniti način delovanja zabijanja, enkrat pritisnite stikalo za delovanje zabijanja. Z vsakim pritiskom se bo spremenil način med »Polno zaporedno« in »Kontaktno«. (Glej SI. 6)

Osvetlitev (modra):

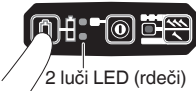
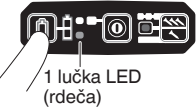
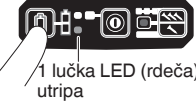
MEHANIZEM POLNEGA ZAPOREDNEGA SPROŽANJA,

Utripanje (modre):

MEHANIZEM KONTAKTNEGA SPROŽANJA

(4) Preverite raven preostale baterije

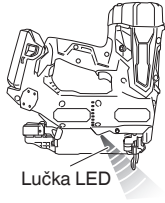

Ko pritisnete stikalo indikatorja baterije, indikator baterije pokaže preostali nivo baterije po statusu luči LED, kot je prikazano spodaj.

Stanje indikatorja	
 <p>2 luči LED (rdeči)</p>	Baterija je dovolj polna.
 <p>1 lučka LED (rdeča)</p>	Baterija je napol prazna.
 <p>1 lučka LED (rdeča) utripa</p>	Baterija je skoraj prazna. Čim prej napolnite baterijo.

Slovenščina

(5) Druge funkcije

V primeru napake pri delovanju luči LED prikazujejo, kot je prikazano spodaj.

<p>Stanje indikatorja</p>  <p>Lučka LED</p> <p>Lučka LED utripa s presledki.</p> <ul style="list-style-type: none">• V primeru, da je stanje prevroče, utripa v intervalu 1 sekunde.• V primeru, da je stanje prehladno, utripa v intervalu 0,5 sekunde. <p>Po 10 sekundah se samodejno izklopita lučka LED in stikalo za vklop/izklop.</p>	<p>Stroj je v prehladnem stanju (pod -5°C ali v prevročem stanju). Pustite, da se zabijalnik dobro ohladi ali ogreje v ustreznem stanju.</p>
 <p>2 lučki LED utripata v oranžni barvi, po 10 sekundah se samodejno izklopi stikalo za vklop/izklop.</p>	<p>Obrnite se na HiKOKI za pregled.</p>

(6) Kako uporabiti lučko LED (glejte SI. 7)

Ko vklopite napajanje, bo lučka LED samodejno osvetlila vrhnji del orodja.

POZOR


- Ne izpostavljajte oči svetlobi z neposrednim gledanjem v luč.
Če je vaše oko nenehno izpostavljeno svetlobi, se lahko poškoduje.
- Z mehko krpo odstranite umazanijo ali nesnago z leče lučke LED, pri čemer bodite previdni, da ne opraskate leče.
Praske na leči lučke LED lahko zmanjšajo svetlost.



2. Mehanizem za blokiranje sprožilca (glejte sl. 8)

OPOZORILO

Prepričajte se, da je sprožilec zaklenjen, ko ne zabijate žebeljev.

Ta zabijalnik ima mehanizem za zaklepanje, ki preprečuje sprožanje žebeljev.

Nastavite stikalo v  položaju za zaklepanje, da blokirate sprožilec.

Potisnite ročico stikala za zaklep v položaj , ko uporabljate zabijalnik, in v položaj , ko ga ne uporabljate.

3. Testiranje zabijalnika

OPOZORILO

- Prepričajte se, da je sprožilec zaklenjen, ko ne zabijate žebeljev. (Glej SI. 8)
- Nikoli ne uporabljajte zabijalnika, če potisni vzvod ne deluje pravilno.
NT1865DBAL in NT1865DBSL uporabljajo preventivni mehanizem za neobremenjeno delovanje.
NT1865DBAL in NT1865DBSL vstopijo v stanje, v katerem potisne ročice ni mogoče potisniti navzgor. To se zgodi, ko nabojnik ni napolnjen z žebli ali ko preostalo število žebeljev postane manjše kot 6 ali 9.

POZOR

Pazite, da ne spustite konice potisnega vzvoda na les. Preden dejansko začnete zabijati žebelje, preizkusite zabijalnik z uporabo kontrolnega seznama spodaj. Opravite teste po naslednjem vrstnem redu.

Če opazite nenormalno delovanje, prenehajte z uporabo zabijalnika in se takoj obrnite na pooblaščen servisni center HiKOKI.

(1) ODSTRANITE VSE ŽEBLJE IN BATERIJO IZ ZABIJALNIKA.

- VSI VIJAKI MORAJO BITI PRIVITI.
- POTISNI VZVOD IN SPROŽILEC SE MORATA PREMIKATI GLADKO z vlečenjem podajalnika za žebelje (B). (NT1850DBSL: Nepotrebno je vlečenje podajalnika za žebelje)

(2) Nameščanje baterije.

Med nameščanjem baterije ne pritisčajte potisnega vzvoda ali sprožilca. (Glej SI. 2)

(3) Vključite stikalo za vklop/izklop. (Glej SI. 1)

Napravo vklopite tako, da stikalo za vklop/izklop pritisnete in držite za več kot 1 sekundo.

Prepričajte se, da indikator napajanja sveti zeleno, indikator delovanja zabijanja pa sveti modro. (MEHANIZEM POLNEGA ZAPOREDNEGA SPROŽANJA)

OPOMBA

Med pritiskanjem stikala za vklop/izklop ne pritisčajte potisnega vzvoda in/ali ne povlecite sprožilca.

S tem preprečite, da bi se vklopilo stikalo.

[Samodejni izklop]

Ko je napajanje vklopljeno, vendar zabijalnik ni v uporabi več kot 30 minut, se le-ta samodejno izklopi. Za izklop znova pritisnite stikalo za vklop/izklop.

OPOZORILO

Nikoli ne puščajte vklopljenega zabijalnika. To lahko privede do nesreče.

Indikator delovanja zabijanja

Osvetlitev (modra):

MEHANIZEM POLNEGA ZAPOREDNEGA SPROŽANJA,

Utripanje (modre):

MEHANIZEM KONTAKTNEGA SPROŽANJA

Prepričajte se, da indikator baterije ne utripa.

Če indikator stanja baterije utripa rdeče, baterija ni dovolj napolnjena in jo je potrebno napolniti.

(4) Odstranite prst s sprožilca in pritisnite potisni vzvod proti obdelovancu, tako da potegneta nazaj podajalnik žebeljev (B).

- ZABIJALNIK NE SME DELOVATI.

(5) Ločite potisni vzvod od obdelovanca.

Nato zabijalnik usmerite navzdol, s potegom podajalnika žebeljev nazaj (B), sprožite sprožilec in nato v tem položaju počakajte 5 sekund ali dlje.

- ZABIJALNIK NE SME DELOVATI.

(6) ① Odstranite prst s sprožilca in pritisnite potisni vzvod proti obdelovancu, tako da potegneta nazaj podajalnik žebeljev (B). Nato pritisnite sprožilec.

- ZABIJALNIK MORA DELOVATI.

② Držite sprožilec nazaj in ponovno pritisnite potisni vzvod proti obdelovancu.

- ZABIJALNIK NE SME DELOVATI.

- ③ Ločite prst od sprožilca.
Potem, ① ponovno deluje.

ZABIJALNIK MORA DELOVATI.

- (7) Potisni vzvod ločite od obdelovanca, pritisnite sprožilec.
Pritisnite potisni vzvod proti obdelovancu v 2 sekundah.

ZABIJALNIK NE SME DELOVATI.

- (8) Nastavite način vklopljenega utripanja indikatorja za delovanje zabijanja. (MEHANIZEM KONTAKTNEGA SPROŽANJA)

Enkrat pritisnite stikalo za delovanje zabijanja, prepričajte se, da indikator utripa modro.

Potisni vzvod ločite od obdelovanca, pritisnite sprožilec.
Pritisnite potisni vzvod proti obdelovancu v 2 sekundah.

ZABIJALNIK MORA DELOVATI.

- (9) Če ne opazite neobičajnega delovanja, lahko žeblje naložite v zabijalnik.

Zabijajte žeblje v obdelovanec, ki je istega tipa kot tisti, ki ga boste uporabili v dejanskem nanosu.

ZABIJALNIK MORA PRAVILNO DELOVATI.

4. Preverjanje delovanja potisnega vzvoda

OPOROČILO

Prepričajte se, da je sprožilec zaklenjen, ko ne zabijate žebeljev.

Vedno se prepričajte, da je sprožilec zaklenjen, in odstranite baterijo iz naprave pri preverjanju delovanja potisnega vzvoda.

Preverite, ali potisni vzvod med delovanjem gladko drsi.

Očistite drsni del na potisnem vzvodu, če ne drsi gladko.

5. Naložite žeblje

OPOROČILO

Pri nalaganju žebeljev v zabijalnik,

- 1) odstranite baterijo iz zabijalnika;
- 2) ne pritisnite sprožilca;
- 3) ne pritiskajte na vzvod; in
- 4) držite zabijalnik obrnjen navzdol.

<NT1865DBAL, NT1865DBSL>

2 – Delovanje podajanja žebeljev!

- (1) Vstavite trak za žeblje v zadnjo stran nabojnika. (Glej **SI. 9**)
- (2) Potisnite trak naprej v nabojniku. (Glej **SI. 10**)
- (3) Pritisnite podajalnik za žeblje (A), da bo podajalnik za žeblje (B) pritrjen na trak za žeblje. (Glej **SI. 11**)

OPOMBA

Tih potisni podajalnik za žeblje (A) in podajalnik za žeblje (B) proti žebelju.

Če se podajalnik za žeblje (A) in podajalnik za žeblje (B) sproščata iz zadnjega dela nabojnika in se udarita ob žebelj, se lahko poškoduje povezovalno lepilo žebelja.

- Uporabljajte trakove z več kot 10 žebelji.
- Uporabljajte neprekinjen trak z žebelji z enako dolgimi žebelji.

Zabijalnik je zdaj pripravljen za delovanje.

Odstranjevanje žebeljev:

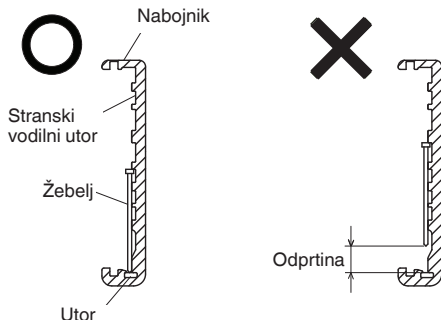
- ① Povlecite podajalnik za žeblje (B) nazaj. (Glej **SI. 12**)
- ② Tih vrnite podajalnik žebeljev (B) naprej med potiskanjem podajalnika za žeblje (A).
- ③ Izvlecite žeblje z zadnje strani nabojnika. (Glej **SI. 13**)

<NT1850DBSL>

- (1) Rahlo pritisnite ročico za zaustavitev in nežno izvlecite pokrov nabojnika. (Glej **SI. 14**)
- (2) Trak za žeblje nastavite v nabojniku in držite konice žebeljev v stiku z utorom. (Glej **SI. 15**)

OPOMBA

Žeblje, prikazane na strani 303, je mogoče naložiti na strani vodilnega utora zabojnika brez prilagoditev.
Vedno naj bodo konice žebeljev v stiku z utorom.



- (3) Trak za žeblje potisnite v vodilo rezila. (Glej **SI. 16**)
- (4) Prepričajte se, da je trak za žeblje pravilno nameščen s stranskimi vodili in utorom, nato pa potisnite pokrov nabojnika, da se zaskoči.

KAKO SE UPORABLJA ZABIJALNIK

OPOROČILO

- Orodja NIKOLI ne obračajte proti sebi ali drugim osebam v delovnem območju.
- Kadar ne zabijate žebeljev, naj bodo prsti STRAN od sprožilca, da ne pride do nenamernega sproženja.
- Ne uporabljajte električnega kabla, če je poškodovan. Nemudoma ga dajte popraviti.
- Izbira metode sprožitve je pomembna. Prosimo, da preberete in razumete poglavje »1. Postopki zabijanja«, ki ga najdete v nadaljevanju.
- Pred začetkom dela preverite napravo za preklapanje delovanja zabijanja. Ta zabijalnik HiKOKI vključuje napravo za preklapanje delovanja zabijanja. Pred začetkom dela se prepričajte, da je naprava za preklapanje ustrezno nastavljena. Če naprava za preklapanje ni pravilno nastavljena, zabijalnik ne bo pravilno deloval.
- Nikoli ne položite svojih rok, nog ali obraza v bližino sprožilne glave med uporabo.
- Ne zabijajte žebeljev na vrh drugih žebeljev ali z zabijalnikom pod preveč strmim kotom; žebelji se lahko odbijejo in nekoga poškodujejo.
- Ne zabijajte žebeljev v tanke plošče ali blizu vogalov in robov obdelovanca. Žebelji se lahko zabijejo skozi ali stran od obdelovanca in nekoga zadenejo.
- Nikoli ne zabijajte žebeljev istočasno na obeh straneh iste stene. Žebelji se lahko zabijejo v in skozi steno in udarijo osebo na nasprotni strani.
- Nikoli ne uporabljajte zabijalnika, ki je okvarjen ali deluje neobičajno.
- Zabijalnika ne uporabljajte kot kladivo.
- Odstranite vse preostale žeblje in baterijo iz zabijalnika, ko/če:
 - 1) izvajate vzdrževanje in pregled;
 - 2) preverjate pravilno delovanje potisnega vzvoda in sprožilca;
 - 3) pritrjujete ali odstranjujete pokrov konice;
 - 4) odstranjujete zaskok;
 - 5) orodja ne uporabljate;
 - 6) zapustite delovno področje;
 - 7) se premeščate na drugo lokacijo; in
 - 8) predate orodje drugi osebi.
- Odstranite baterijo iz zabijalnika, ko:
 - 1) nakladate žeblje;
 - 2) obračate prilagojevalnik.

Slovenščina

Ta zabijalnik HIKOKI je opremljen z napravo za preklapljanje med delovanjem zabijanja.

Uporabite **MEHANIZEM POPOLNEGA ZAPOREDNEGA SPROŽANJA** ali **MEHANIZEM KONTAKTNEGA SPROŽANJA** v skladu z delom, ki ga je treba opraviti.

Razlaga različnih operacij zabijanja

- **MEHANIZEM POLNEGA ZAPOREDNEGA SPROŽANJA:** Najprej pritisnite potisni vzvod proti lesu; potem pritisnite sprožilec za zabijanje žebļa.

Sledite enakemu zaporedju, da nadaljujete z zabijanjem žebļev.

Po enkratnem zabijanju, zabijanje ne bo ponovno mogoče, dokler ne odstranite prsta s sprožilca in orodje popolnoma odstranite s površine lesa.

- **MEHANIZEM KONTAKTNEGA SPROŽANJA:** KONTAKTNO SPROŽANJE lahko sledi dvema različnima zaporedjema, odvisno od vaše uporabe.

Če želite zabijati več žebļev:

1. Pritisnite na sprožilec.
2. Pritisnite potisni vzvod proti lesu, da zabijete žebļev.
3. Če se sprožilec zadrži, se bo vsakič, ko bo potisni vzvod pritisnjen proti lesu, zabil žebļev.

Če želite zabiti en sam žebļev:

1. Pritisnite potisni vzvod proti lesu.
2. Pritisnite sprožilec za zabijanje žebļa.
3. Spustite sprožilec in odstranite zabijalnik iz lesa.

[Mehanizem zaklepanja praznega sprožanja]

NT1865DBAL in NT1865DBSL uporabljajo preventivni mehanizem za neobremenjeno delovanje.

NT1865DBAL in NT1865DBSL vstopijo v stanje, v katerem potisne ročice ni mogoče potisniti navzgor. To se zgodi, ko nabojniki ni napolnjen z žebļi ali ko preostalo število žebļev postane manj kot 6 ali 9.

POZOR

Pazite, da ne spustite konice potisnega vzvoda na les, ko potisnega vzvoda ni mogoče potisniti navzgor.

1. Postopki za zabijanje

Ta zabijalnik je opremljen s potisnim vzvodom in ne deluje, če potisni vzvod ni pritisnjen.

Obstajata dve metodi delovanja zabijanja s tem zabijalnikom.

Ti sta:

1. Vmesno delovanje (Sprožilno udarjanje):
2. Neprekinjeno delovanje (udarjanje potisnega vzvoda):

- (1) Vmesno delovanje (Sprožilno udarjanje)

Uporabite nastavitve **MEHANIZMA POLNEGA ZAPOREDNEGA SPROŽANJA**. (Glej **Sl. 17**)

OPOROILLO

- Za vmesno delovanje nastavite stikalo za delovanje zabijanja na **MEHANIZEM POLNEGA ZAPOREDNEGA SPROŽANJA** (indikator delovanja zabijanja sveti v modri barvi). (tj. nastavljen na **MEHANIZEM ZA ENOJNO SPROŽANJE**.)

- Da bi se izognili dvojnemu sprožanju ali nenamernemu sprožanju zaradi odboja.

- 1) Nastavite na **MEHANIZEM POPOLNEGA ZAPOREDNEGA SPROŽANJA**.
- 2) Hitro in trdno pritisnite sprožilec.

- ① Nastavite stikalo za delovanje zabijanja na **MEHANIZEM POLNEGA ZAPOREDNEGA SPROŽANJA** (indikator delovanja zabijanja sveti v modri barvi).

(za nastavitve **MEHANIZMA POLNEGA ZAPOREDNEGA SPROŽANJA**).

(Nastavite napravo za preklop na svetlobo indikatorja za delovanje zabijanja v modri način v celoti, kot je prikazano v **sl. 17**. V nasprotnem primeru bo nastavljen na **MEHANIZEM KONTAKTNEGA SPROŽANJA**).

- ② Izhod za žebļev na obdelovancu postavite z umaknjnim prstom s sprožilca.

- ③ Močno pritisnite potisni vzvod, dokler ni popolnoma pritisnjen.

- ④ Pritisnite sprožilec za zabijanje žebļa.

- ⑤ Odstranite prst s sprožilca in orodje popolnoma odstranite s površine lesa.

Če želite nadaljevati z zabijanjem na ločenem mestu, premaknite zabijalnik vzdolž lesa, po potrebi ponovite korake ② - ⑤.

OPOMBA

Delovanji ③ in ④ je treba opraviti v razmaku 2 sekund. Če preteče več kot 2 sekundi po ③, zabijalnik ne bo deloval pravilno. Če se to zgodi, poskusite s ③.

- (2) Neprekinjeno delovanje (udarjanje potisnega vzvoda) Uporaba **MEHANIZMA KONTAKTNEGA SPROŽANJA** (glej **Sl. 18**)

OPOROILLO

Da bi se izognili dvojnemu sprožanju ali nenamernemu sprožanju zaradi odboja.

- 1) Zabijalnika ne pritisnite na les s prekomerno silo.
- 2) Zabijalnik držite ločeno od lesa, saj se po zabijanju odbije.

- ① Nastavite stikalo za delovanje zabijanja na **MEHANIZEM KONTAKTNEGA SPROŽANJA** (indikator delovanja zabijanja utripa v modri barvi).

(nastavitve **MEHANIZMA KONTAKTNEGA SPROŽANJA**).

(Nastavite napravo za preklop na utripanje indikatorja za delovanje zabijanja v modri v celoti, kot je prikazano na **sl. 18**. V nasprotnem primeru ne bo pravilno deloval).

- ② Pritisnite sprožilec z zabijalnikom stran od obdelovanca.
- ③ Pritisnite potisni vzvod proti obdelovancu, da zabijete žebļev.

- ④ Premaknite zabijalnik vzdolž obdelovanca z odbijajočim gibom.

Vsak pritisk potisnega vzvoda bo zabil žebļev.

Takoj, ko se zabije zeleno število žebļev, odstranite prst s sprožilca.

OPOMBA

Delovanji ② in ③ je treba opraviti v razmaku 2 sekund. Če preteče več kot 2 sekundi po ②, zabijalnik ne bo deloval pravilno. Če se to zgodi, poskusite s ②.

OPOROILLO

- Snemite prst s sprožilca, razen med zabijanjem, saj lahko pride do hudih poškodb, če potisni vzvod nenamerno pride v stik z vami ali drugimi na delovnem mestu.

- Držite roke in telo proč od območja sprožanja. Ta zabijalnik HIKOKI se lahko odbije zaradi povratnega udarca pri zabijanju žebļa in lahko pride do sproženja nezaželenega naknadnega žebļa, kar lahko povzroči poškodbe.

OPOMBA

- Če se upošteva vsa opozorila in navodila, je varno delovanje mogoče pri obeh sistemih: **MEHANIZEM POLNEGA ZAPOREDNEGA SPROŽANJA**, **MEHANIZEM KONTAKTNEGA SPROŽANJA**.

- Vedno bodite pozorni na žebļev in embalažo. Če žebļji padejo, se lahko poškoduje povezava, kar povzroči napačno podajanje in zaskok.

- Po zabijanju:

- 1) odstranite baterijo iz zabijalnika;
- 2) odstranite vse žebļev iz zabijalnika;

2. Nastavitve globine rezanja

Za zagotovitev, da vsak žebļev prodre na isto globino, se prepričajte, da je zabijalnik vedno trdno pritisnjen na obdelovanec.

Če se žebļji zabijejo globoko ali plitko v obdelovanec, zabijanje nastavite po naslednjem vrstnem redu.

- ① Odstranite baterijo iz zabijalnika.

- ② Če so žebļji zabiti pregloboko, obrnite prilagojevalnik na plitvo stran. (Glej **Sl. 19**)

Prilagoditve so v korakih po polovici obrata.

Če so žebļji zabiti preplitko, obrnite prilagojevalnik na globoko stran. (Glej **Sl. 20**)

- ③ Nehajte obračati prilagojevalnik, ko je za testiranje zabijanja dosežen ustrezen položaj.

VZDRŽEVANJE IN PREGLEDOVANJE**POZOR**

Pred vzdrževanjem in pregledom obvezno odstranite vse preostale žeblje in baterijo iz zabijalnika.

1. Pregled zabojnika

- ① Odstranite baterijo iz zabijalnika.
- ② Čiščenje nabojnika. Odstranite prah in drobce lesa, ki so se nabrali v nabojniku.

POZOR

Preverite, ali podajalnik žebeljev zdrсне gladko, tako da ga potegnete s prstom.

Če ne gre gladko, se lahko žebliji zabijejo pod nepravilnim kotom in nekoga poškodujejo.

2. Pregled montažnih vijakov

Redno pregledujte vse montažne vijake in zagotovite, da so tesno pritrjeni. V kolikor bi kateri vijak bil zrahlan ga takoj privijte. Če tega ne storite lahko pride do resne nevarnosti.

3. Vzdrževanje motorja

Zračniki motorja so »srce« električne naprave. Pri uporabi bodite pozorni, da se zračnik ne poškoduje in/ali zmoci z oljem ali vodo.

4. Pregled kontaktov (orodje in baterija)

Pred uporabo se prepričajte, da se na kontaktih niso nabrali ostružki in prah.

Občasno preverite pred, med in po uporabi.

POZOR

Odstranite ostružke ali prah, ki se je morda nabral na kontaktih.

V nasprotnem primeru lahko pride do okvare.

5. Čiščenje zunanosti

Umazano električno orodje obrišite z mehko suho krpo ali s krpo, navlaženo z milnico. Ne uporabljajte klorovih raztopin, bencina ali razredčevalcev barve, saj ti stopijo plastiko.

6. Skladiščenje

Električno orodje shranjujte na mestu, kjer je temperatura nižja od 40°C in kamor otroci ne sežejo.

OPOMBA

Shranjevanje litij-ionskih baterij.

Zagotovite, da so litij-ionske baterije popolnoma napolnjene, preden jih shranite.

Dolgotrajno shranjevanje baterij (3 mesece ali več), ki so le malo napolnjene, lahko vodi do slabšega delovanja, znatnega zmanjšanja časa uporabe baterije ali povzroči, da baterij ni več možno napolniti.

Vendar pa se lahko znatno zmanjšan čas uporabe baterije popravi tako, da se baterije dva do petkrat ponavljajoče napolnijo in uporabijo.

Če je kljub ponavljajočem polnjenju in uporabi čas baterije še vedno zelo kratek, baterije zavržite in kupite nove.

POZOR

Pri uporabi in vzdrževanju električnih orodjih je treba upoštevati varnostne uredbe in standarde, ki so določene za vsako državo.

- ④ Priključite baterijo v zabijalnik.
VEDNO NOSITE ZAŠČITNA OČALA.

Izvedite test zabijanja.

- ⑤ Odstranite baterijo iz zabijalnika.
- ⑥ Izberite ustrezen položaj za prilagojevalnik.

3. Uporaba kavlja (glejte Sl. 21, 22, 23)**OPOZORILO**

Ko uporabljate kavelj, izklopite stikalo za vklop/izklop (sveti zeleno »IZKLOP«). Bodite dovolj pozorni, da glavna oprema ne pade.

Če orodje pade, obstaja nevarnost poškodb.

Kavlji se lahko nastavijo na levo ali desno stran. (razen NT1865DBAL)

- ① Odstranite baterijo in nato odstranite vse preostale žeblje iz nabojnika.
- ② Pritrдите glavno enoto in odstranite vijak z izvijačem. (Glej Sl. 21)
- ③ Odstranite kavelj in ploščo kavlja. (Glej Sl. 22)
- ④ Na drugo stran namestite kavelj in ga trdno privijte z vijakom. (Glej Sl. 23)

OPOMBA

Kavelj lahko uporabite kot obešalnik.

4. Uporaba pokrova konice (glejte sl. 24, 25)**OPOZORILO**

Pri pritrdjevanju ali odstranjevanju pokrovčka konice odstranite prst s sprožilca in odstranite vse preostale žeblje in baterijo iz zabijalnika.

Če želite zaščititi površino obdelovanca pred praskami ali oznakami, ki jih povzroča potisni vzvod, pritrдите pokrovček konice na potisni vzvod.

- ① Odstranite vse preostale žeblje in baterijo iz zabijalnika.
- ② Pokrov konice položite na prst potisnega vzvoda.
- ③ Pokrovček konice je označen, da označuje izhodno točko žeblja, kar olajša poravnavo.
- ④ Ko ne uporabljate pokrova konice, ga shranite v predal za shranjevanje na hrbtni strani nabojnika.

OPOMBA

Pokrov konice lahko zaradi svoje debeline zmanjša globino zabijanja. Potrebna je ponovna prilagoditev globine zabijanja.

5. Odstranjevanje zastoja

Če so se žebliji zagodili v sprožilni glavi, jo odstranite in žeblje nastavite po naslednjem vrstnem redu.

POZOR

Odstranite baterijo iz zabijalnika.

- ① Odstranite baterijo iz zabijalnika.
- ② Odstranite vse žeblje.
- ③ Sprostite ročico za zaklepanje in odprite vodilno ploščo. (Glej Sl. 26)
- ④ Odstranite zagodeni žebelj s ploščatim izvijačem. (Glej Sl. 27)

POZOR

- NIKOLI ne udarjajte v rezilo nalagalnika.
- NIKOLI ne usmerjajte orodja na sebe ali na drugo osebo, da preprečite nevarnost poškodb zaradi nehotenega sproženja.

Tudi, če je baterija odstranjena iz zabijalnika, je v njej še vedno prisotna energija stisnjenega zraka.

- ⑤ Zaprite vodilno ploščo in zapah.

OPOMBA

V primeru pogostega zagodenja se obrnite na pooblaščen servisni center HiKOKI.

Pomembno obvestilo o baterijah za akumulatorsko orodje HiKOKI

Obvezno uporabljajte naše originalne akumulatorske baterije. Za varnost in pravilno delovanje našega akumulatorskega električnega orodja ne jamčimo, če uporabljate baterije, ki jih ni izdelalo naše podjetje, in če baterijo razstavite ali preoblikujete (na primer razstavite in zamenjate celice ali druge notranje dele).

GARANCIJA

Garantiramo za HiKOKI električna orodja v skladu z ustavno/državno veljavnimi uredbami. Garancija ne zajema napak ali poškodb, ki nastanejo zaradi nepravilne uporabe, zlorabe ali normalne obrabe. V primeru pritožbe pošljite sestavljeno električno orodje skupaj z GARANCIJSKIM CERTIFIKATOM, ki ga najdete na koncu teh navodil za uporabo, na pooblaščen servis HiKOKI.

Informacije o hrupu

Značilne vrednosti hrupa v skladu z EN 60745:

Tipična A-utežena raven zvočne moči posameznega dogodka L_{WA} , 1s, d = 92 dB

Tipična A-utežena raven emisije zvočnega tlaka pri posameznem dogodku na delovni postaji L_{pA} , 1s, d = 81 dB

Nezanesljivost KpA: 3 dB

Te vrednosti so značilne vrednosti orodja in ne predstavljajo razvoja hrupa na mestu uporabe. Razvoj hrupa na mestu uporabe bo na primer odvisen od delovnega okolja, obdelovanca, podpore obdelovanca in števila delujočih operacij itd.

Odvisno od pogojev na delovnem mestu in oblike obdelovanca je treba izvesti posamezne ukrepe za zmanjšanje hrupa, npr. postavitev obdelovancev na nosilce za zvočno izolacijo, ki preprečujejo vibracije obdelovanca s pomočjo vpetja ali prekrivanja itd.

V posebnih primerih morate nositi glušnike.

Informacije o vibracijah

Značilna vrednost lastnosti vibracij v skladu z EN 60745:

2,6 m/s²

Negotovost K: 1,5 m/s²

Te vrednosti so značilne vrednosti orodja in ne predstavljajo vpliva na sistem roke pri uporabi orodja. Vpliv na sistem roke pri uporabi orodja bo na primer odvisen od sile prijema, sile pritiskanja, smeri delovanja, nastavitve oskrbe z energijo, obdelovanca in podpore.

Skupna vrednost vibracij je bila merjena v skladu s standardno testno metodo in se lahko uporablja za primerjavo enega orodja z drugim.

Uporablja se lahko tudi kot prvotna ocenitev izpostavljenosti.

OPOZORILO

- Emisija vibracij med dejansko uporabo električnega orodja se lahko razlikuje od navedene vrednosti, glede na način uporabe orodja.
- Prepoznajte varnostne ukrepe za zaščito uporabnika, ki temeljijo na oceni izpostavljanja v dejanskih pogojih uporabe (z upoštevanjem vseh delov obratovalnega ciklusa, kot so obdobja, ko je orodje izključeno, in ko orodje teče v prostem teku dodatno k času zagona).

OPOMBA

Zaradi HiKOKIJEVEGA programa nenehnega raziskovanja in razvoja se specifikacije lahko spremenijo brez predhodnega obvestila.

Tabela vzdrževanja

DELOVANJE	ZAKAJ	KAKO
Čist nabojnik in podajalni mehanizem.	Preprečite zastoj.	Dnevno spihajte do čistega.
Potisni vzvod naj vedno deluje pravilno.	Spodbujanje varnosti upravljavca in učinkovitega delovanja zabijalnika.	Dnevno spihajte do čistega.

ODPRAVLJANJE MOTENJ

Uporabite pregled v spodnji tabeli, če orodje ne deluje normalno. Če to ne odpravi težave, se posvetujte z vašim prodajalcem ali HiKOKI pooblaščenim servisnim centrom.

TEŽAVA	METODA PREVERJANJA	POPRAVEK
Stikalo za vklop/izklop se ne vklopi. Vklopi se enkrat, vendar se samodejno izklopi.	Nizka napolnjenost baterije.	Napolnite baterijo.
	Poškodovana notranja elektronika.	Za zamenjavo se obrnite na HiKOKI.
	Je potisni vzvod in/ali sprožilec vklopljen?	Potisni vzvod in sprožilec naj bosta v izklopljenem stanju.
	Na uporabljajte naprave več kot 30 minut? (Funkcija samodejnega izklopa)	Pritisnite in zadržite stikalo za dlje kot 1 sekundo, za prekop na »ON« (VKLOP)
Zabijalnik ne deluje (Stikalo za vklop).	Zabijalnik ni dovolj pritisnjen proti obdelovancu.	Čvrsto držite žeblje in pritisnite na obdelovanec.
	Sprožilec ni dovolj pritisnjen.	Trdno pritisnite sprožilec.
	Več kot 2 sekundi traja, da potisni vzvod sproži VKLOP (ali sproži VKLOP potisnega vzvoda).	Prepričajte se, da med vklopom potisnega vzvoda in sprožilca (ali med vklopom sprožilca in vklopom potisnega vzvoda) mine manj kot 2 sekundi.
	Aktiviran je preventivni mehanizem. (Ni žbljev ali je premalo preostalih žbljev) (razen NT1850DBSL)	Ponovno naložite žeblje v nabojnik.
	Ročica za zaklepanje stikala (funkcija sprožilca zaklepa) je v položaju »ON« (VKLOP).	Ročico za zaklepanje stikala prekopite v položaj »OFF« (IZKLOP). (Glej SI. 8)
	Stroj je v prehladnem stanju (pod -5°C) ali v prevročem stanju. (Lučka LED utripa v rednih intervalih, in stikalo za vklop/izklop ugasne po 10 sekundah). (Glejte stran 306)	Pustite, da se zabijalnik dobro ohladi ali ogreje v ustreznem stanju.
Zabijalnik deluje, vendar ni naloženih žbljev.	Poškodovana notranja elektronika.	Za zamenjavo se obrnite na HiKOKI.
	Nabojnik je umazan.	Nabojnik spihajte in obrišite do čistega.
	Preverite, ali je prišlo do zastoja.	Odstranjevanje zastoja (glejte SI. 26, 27).
	Je rezilo nalagalnika obrabljeno ali poškodovano?	Za zamenjavo se obrnite na HiKOKI.
	Je pašček vzmeti oslavljen ali poškodovan?	Zamenjajte vzmet traku.
	Je podajalnik žbljev poškodovan?	Zamenjajte podajalnik žbljev.
	Preverite, če gre za pravilne žeblje.	Uporabljajte samo priporočene žeblje.
Šibek nalagalnik. Počasni obrati.	Preverite položaj prilagojevalnika za nastavitve globine žbljla.	Ponovno nastavite glede na SI. 19, 20 .
	Je obrabljeno rezilo nalagalnika?	Za zamenjavo se obrnite na HiKOKI.
	Tlak stisnjenega zraka je postal nizek.	Za zamenjavo se obrnite na HiKOKI.
	Poškodovana notranja elektronika.	Za zamenjavo se obrnite na HiKOKI.
Zabije preveč globoko.	Preverite položaj prilagojevalnika za nastavitve globine žbljla.	Ponovno nastavite glede na SI. 19, 20 .
Preskakovanje žbljev. Vmesno podajanje.	Preverite, če gre za pravilne žeblje.	Uporabljajte samo priporočene žeblje.
	Je podajalnik žbljev poškodovan?	Zamenjajte podajalnik žbljev.
	Je pašček vzmeti oslavljen ali poškodovan?	Zamenjajte vzmet traku.
	Je rezilo nalagalnika obrabljeno ali poškodovano?	Za zamenjavo se obrnite na HiKOKI.
Zastoj žbljev. Zabiti žebelj je upognjen.	Preverite, če gre za pravilne žeblje.	Uporabljajte samo priporočene žeblje.
	Je rezilo nalagalnika obrabljeno ali poškodovano?	Za zamenjavo se obrnite na HiKOKI.

VŠEOBECNÉ BEZPEČNOSTNÉ VÝSTRAHY PRE ELEKTRICKÉ NÁRADIE

⚠ VÝSTRAHA

Prečítajte si všetky bezpečnostné výstrahy a všetky pokyny.

Nedodržiavanie výstrah a pokynov môže viesť k zasiahnutiu elektrickým prúdom, požiaru a/alebo vážnemu poraneniu.

Všetky výstrahy a pokyny uschovajte pre možnú potrebu v budúcnosti.

Výraz „elektrické náradie“, ktorý je uvedený na výstrahách, označuje vaše elektrické náradie napájané zo siete (so sieťovým káblom) alebo náradie napájané akumulátorom (bez sieťového kábla).

1) Bezpečnosť na pracovisku

- a) Svoje pracovisko udržiavajte čisté a dobre osvetlené.

Neporiadok a tmavé plochy zvyšujú pravdepodobnosť úrazov.

- b) Elektrické náradie nepoužívajte vo výbušnom prostredí, ako napríklad v prítomnosti horľavých kvapalín, plynov alebo prachu.

Elektrické náradie vytvára iskry, ktoré môžu zapáliť prach alebo výpar.

- c) Počas práce s elektrickým náradím by sa mali okolostojaci a deti zdržiavať mimo elektrického náradia.

Odvedenie pozornosti môže spôsobiť neschopnosť ovládania náradia.

2) Elektrická bezpečnosť

- a) Zástrčka elektrického náradia musí vyhovovať sieťovej zásuvke.

Zástrčku nikdy a žiadnym spôsobom neupravujte.

V spojení s uzemneným elektrickým náradím nepoužívajte žiadne rozbočovacie zásuvky.

Neupravované zástrčky a správne vyhovujúce zásuvky znižujú riziko zasiahnutia elektrickým prúdom.

- b) Zabráňte telesnému kontaktu s uzemnenými povrchmi, akými sú trubky, radiátory, sporáky a chladničky.

Existuje zvýšené riziko zasiahnutia elektrickým prúdom v prípade, ak je vaše telo uzemnené.

- c) Elektrické náradie nevystavujte účinkom dažďa alebo mokrého prostredia.

Pri vniknutí vody do elektrického náradia sa zvyšuje riziko zasiahnutia elektrickým prúdom.

- d) Kábel nepoužívajte nesprávnym spôsobom. Kábel nikdy nepoužívajte na prenášanie, ťahanie a náradie neodpájajte od prívodu energie ťahaním za kábel.

Kábel chráňte pred teplom, olejom, ostrými hranami alebo pohybujúcimi sa časťami.

Poškodené alebo zamotané káble zvyšujú riziko zasiahnutia elektrickým prúdom.

- e) Pri používaní elektrického náradia vonku používajte predĺžovací kábel vhodný na použitie vonku.

Používanie kábla vhodného na používanie vonku znižuje riziko zasiahnutia elektrickým prúdom.

- f) V prípade, ak je nevyhnutné používať elektrické náradie vo vlhkom prostredí, používajte prívod elektrického prúdu chránený zariadením pre zvyškový prúd (RCD).

Používanie RCD znižuje riziko zasiahnutia elektrickým prúdom.

3) Osobná bezpečnosť

- a) Pri používaní elektrického náradia zostaňte pozorný, sústreďte sa na vykonávanú prácu a používajte všetky zmysly.

Elektrické náradie nepoužívajte ak ste unavený, alebo ste pod vplyvom drog, alkoholu alebo liekov. Chvilka nepozornosti počas práce s elektrickým náradím môže spôsobiť vážne osobné poranenie.

- b) Používajte osobné ochranné pracovné prostriedky. Vždy si nasadte ochranu na oči. Ochranné prostriedky, akými sú protiprachová maska, protišmykové bezpečnostné topánky, ochranná prilba alebo chrániče sluchu, ktoré sa používajú pre patričné podmienky, znižujú vznik osobných poranení.

- c) Zabráňte neúmyselnému spusteniu. Pred pripojením k sieťovému zdroju a/alebo akumulátoru, uchopením alebo prenášaním náradia sa uistite, že vypínač je vo vypnutej polohe.

Prenášanie náradia s prstom na vypínači alebo aktivovanie náradia elektrickým prúdom, keď je spínač v zapnutej polohe, prívolaáva úrazy.

- d) Pred zapnutím z elektrického náradia odstráňte všetky nastavovacie kľúče alebo skrutkovače.

Skrutkovač alebo kľúč, ktorý zostal pripojený k otáčajúcej sa časti elektrického náradia môže spôsobiť osobné poranenie.

- e) Nezachádzajte príliš ďaleko. Vždy si zachovajte správnu rovnováhu a zabezpečte správny postoj.

Toto umožní lepšie ovládanie elektrického náradia v neočakávaných situáciách.

- f) Vhodne sa oblečte. Pri práci nenoste voľný odev alebo šperky. Zabráňte styku vlasov, oblečenia a rukavíc s pohybujúcimi sa časťami.

Voľné oblečenie, šperky alebo dlhé vlasy sa môžu zachytiť do pohyblivých častí.

- g) Ak je zariadenie vybavené na pripojenie vysávača alebo vrecka na zachytávanie prachu, pripojte ich k náradia a pri práci ich správne používajte.

Používanie zariadení na zachytávanie prachu môže znížiť riziká spôsobené prachom.

4) Používanie a starostlivosť o elektrické náradie

- a) Elektrické náradie nepreťažujte. Na prácu používajte vždy náradie, ktoré je na ňu určené. Správne elektrické náradie vykoná prácu, na ktorú je určené lepšie a bezpečnejšie.

- b) Náradie s poškodeným vypínačom, ktorý sa nedá zapnúť alebo vypnúť, nepoužívajte.

Akékoľvek náradie, ktoré nemôže byť ovládané vypínačom je nebezpečné a musí sa opraviť.

- c) Predtým, ako vykonáte akékoľvek úpravy, výmenu príslušenstva alebo skôr, než elektrické náradie odložíte, odpojte ho od zdroja napájania a/alebo akumulátora.

Tieto preventívne bezpečnostné opatrenia znižujú riziko náhodného spustenia elektrického náradia.

- d) Nečinné elektrické náradie skladujte mimo dosahu detí a nedovoľte, aby toto elektrické náradie obsluhovali osoby, ktoré nie sú oboznámené s elektrickým náradím alebo s týmto návodom.

V rukách neškolených osôb je elektrické náradie nebezpečné.

- e) Vykonávajte údržbu elektrických nástrojov. Skontrolujte nesprávne centrovanie alebo zablokovanie pohyblivých častí, poškodenie častí, alebo akékoľvek iné okolnosti, ktoré by mohli ovplyvniť činnosť elektrického náradia. V prípade poškodenia musíte dať elektrické náradie pred ďalším použitím opraviť.

Mnohé nehody sú spôsobené práve nesprávne udržiavaným elektrickým náradím.

- f) **Rezný nástroj udržiavajte ostrý a čistý.**
Správne udržiavaný rezný nástroj s ostrými brítmí je menej náchylný na zablokovanie a je ľahšie ovládateľný.
- g) **Elektrické náradie, príslušenstvo, brity náradia atď. používajte v súlade s týmito pokynmi a berte do úvahy pracovné podmienky a charakter vykonávanej práce.**
Používanie elektrického náradia na iné, než určené činnosti môže viesť k vzniku nebezpečných situácií.
- 5) **Starosť a používanie akumulátorového náradia**
- a) **Nabíjajte len nabíjačkou, ktorú uvádza výrobca.**
Nabíjačka, ktorá je vhodná pre jeden typ akumulátora, môže predstavovať riziko, ak sa použije na nabíjanie iného typu akumulátora.
- b) **Elektrické náradie používajte len so špecificky určeným typom akumulátora.**
Používanie iného typu akumulátora môže predstavovať riziko poranenia a požiaru.
- c) **Ak sa akumulátor nepoužíva, chráňte ho pred kontaktom s kovovými predmetmi, ako sú kancelárske spony, mince, kľúče, klince, skrutky alebo iné malé kovové predmety, ktoré môžu spôsobiť vzájomné prepojenie koncoviek.**
Vzájomné skratovanie koncoviek akumulátora môže mať za následok popáleniny alebo požiar.
- d) **Pri nesprávnych podmienkach používania môže dôjsť k unikaniu kvapaliny z akumulátora. Vyhnite sa kontaktu s touto kvapalinou. V prípade náhodného kontaktu zasiahnuté miesto opláchnite vodou. Ak kvapalina zasiahne oči, opláchnite ich vodou a vyhľadajte lekársku pomoc.**
Kvapalina unikajúca z akumulátora môže spôsobiť podráždenie alebo popáleniny.
- 6) **Servis**
- a) **Servis na svojom elektrickom náradí nechajte vykonávať len kvalifikovaným personálom a pri použití jedine originálnych náhradných dielov.**
Tým sa zabezpečí zachovanie bezpečnosti elektrického náradia.

BEZPEČNOSTNÉ OPATRENIA

Zabráňte prístupu detí a nezainteresovaných osôb. Keď náradie nepoužívate, mali by ste ho uložiť mimo dosahu detí a nezainteresovaných osôb.

BEZPEČNOSTNÉ VÝSTRAHY TÝKAJÚCE SA BEZPEČNOSTI AKUMULÁTOROVEJ KLINCOVAČKY/ AKUMULÁTOROVEJ KLINCOVAČKY NA KLINCE BEZ HLAVIČKY

- Vždy predpokladajte, že náradie obsahuje upevňovacie prvky.**
Nedbalé zaobchádzanie s klincovačkou môže viesť k neočakávanému vystreleniu upevňovacích prvkov a zraneniu osôb.
- Nemiete s náradím na seba ani na nikoho iného v blízkosti.**
Neočakávané spustenie vystrelí upevňovací prvok a spôsobí zranenie.
- Neuvádzajte náradie do činnosti, pokiaľ nie je pevne umiestnené oproti obrobku.**
Ak náradie nie je v kontakte s obrobkom, upevňovací prvok sa môže odkloniť od požadovaného cieľa.
- Keď sa upevňovací prvok zasekne v náradí, odpojte náradie od zdroja napájania.**

Počas odstraňovania zaseknutého upevňovacieho prvku sa môže klincovačka náhodne aktivovať, ak je pripojená k napájaniu.

- Počas odstraňovania zaseknutého upevňovacieho prvku buďte opatrní.**
Mechanizmus môže byť pod tlakom a počas pokusu o odstránenie zaseknutia môže dôjsť k prudkému vystreleniu upevňovacieho prvku.
- Nepoužívajte túto klincovačku na upevňovanie elektrických káblov.**

Nie je určená na inštaláciu elektrických káblov a môže poškodiť izoláciu elektrických káblov, čím zapríčini riziko zasiahnutia elektrickým prúdom alebo vzniku požiaru.

ĎALŠIE BEZPEČNOSTNÉ VAROVANIA

- Bezpečná obsluha prostredníctvom správneho používania.**
Toto náradie bolo skonštruované na zavádzanie klinčov do dreva a podobných materiálov. Používajte ho len na určený účel.
- Dávajte pozor na vznietenie a výbuchy.**
Keďže počas klincovania môžu lietať iskry, je nebezpečné používať toto náradie blízko laku, farby, technického benzínu, riedidla, benzínu, plynu, lepidiel a podobných horľavých látok, keďže sa môžu vznietiť alebo vybuchnúť. Za žiadnych okolností by sa toto náradie nemalo používať v blízkosti takéhoto horľavého materiálu.
- Vždy používajte ochranu zraku (ochranné okuliare).**



Pri obsluhu elektrického náradia vždy používajte ochranu zraku a zabezpečte, aby aj osoby v blízkom okolí používali ochranu zraku.

Možnosť vniknutia úlomkov klinčov, ktoré neboli zasiahnuté správnym spôsobom, do oka, predstavuje hrozbu poškodenia zraku. Prostriedky na ochranu zraku je možné zakúpiť v ktoromkoľvek železiarstve. Počas obsluhy tohto náradia vždy používajte ochranu zraku. Používajte ochranu zraku alebo širokú masku s prierezom nasadenú na dioptrické okuliare.

Zamestnávateľia by mali vždy presadzovať používanie prostriedkov na ochranu zraku.

- Chráňte svoj sluch a svoju hlavu.**
Keď ste zapojení do práce spojenej s klincovaním, používajte chrániče sluchu a ochranu hlavy. Taktiež v závislosti od situácie zabezpečte, aby aj osoby v blízkom okolí používali chrániče sluchu a ochranu hlavy.
- Venujte pozornosť tým, ktorí pracujú blízko vás.**
Bolo by veľmi nebezpečné, keby klince, ktoré neboli správne zavedené do materiálu, zasiahli iné osoby. Preto pri používaní tohto náradia vždy venujte pozornosť bezpečnosti osôb okolo vás. Vždy sa uistite, že sa v blízkosti výstupu klinčov nenachádzajú časti tela, ruky ani chodidlá žiadnej osoby.
- Nikdy nemiete výstupom klinčov na ľudí.**



Vždy predpokladajte, že náradie obsahuje upevňovacie prvky.

Ak sa výstup klinčov nasmeruje na ľudí, môže dôjsť k vážnym nehodám, ak omylom vystrelíte kliniec z náradia. Pri pripájaní a odpájaní batérie, počas ukladania klinčov do zásobníka alebo podobných úkonov sa uistite, že nie je výstup klinčov nasmerovaný na žiadnu osobu (ani na vás). Dokonca aj vtedy, keď nie sú do zásobníka vložené žiadne klince, je nebezpečné uvádzať náradie do činnosti počas jeho nasmerovania na nejakú osobu, takže sa nikdy nepokúšajte o takéto konanie. Žiadne hlúposti. Náradie považujte za pracovný nástroj.

7. Pred použitím skontrolujte stláčaciu páčku.

Uistite sa, že stláčacia páčka funguje správne. (Stláčacia páčka sa môže nazývať „Bezpečnosť“.) Nikdy nepoužívajte klincovačku, pokiaľ stláčacia páčka nefunguje správne, v opačnom prípade by mohla klincovačka neočakávane vystreliť upevňovací prvok. Nezasahujte do stláčacej páčky ani ju neodstraňujte, inak sa stane nefunkčnou.

8. Výber spôsobu spúšťania je dôležitý.

Prečítajte si a pochopte časť s názvom „SPÔSOB POUŽÍVANIA KLINCovaČKY“ na strane 323.

9. Pred použitím tohto výrobku sa uistite, že funguje správne v súlade s obsahom „Skúšanie klincovačky“ na strane 322.

10. Používajte len určené klince.

Nikdy nepoužívajte iné klince ako tie, ktoré sú uvedené a popísané v tomto návode.

11. Buďte opatrní pri pripájaní batérie.

Aby pri pripájaní batérie a vkladani klincov nedošlo k spusteniu náradia omylom, overte nasledovne.

- Nedotýkajte sa spúšte.
- Dbajte na to, aby sa vystrel'ovacia hlava nedostala do kontaktu so žiadnym povrchom.
- Uchovávajte vystrel'ovaciú hlavu nasmerovanú dole. Prísne dodržiavajte vyššie uvedené pokyny, pričom vždy dbajte na to, aby sa žiadna časť tela, rúk ani nôh nenachádzala pred výstupom klincov.

12. Neumiestňujte nedbalo prst na spúšť.

Neumiestňujte prst na spúšť okrem prípadu, keď skutočne klincujete. Ak nesiete toto náradie alebo ho niekomu podávate, pričom máte prst na spúšti, môžete neúmyselne vystreliť klince a tým spôsobiť nehodu.

13. Pevne priláčte výstup klincov k materiálú, ktorý sa má klincovať.

Pri zavádzaní klincov do materiálú pevne priláčte výstup klincov k materiálú, ktorý sa má klincovať. Ak sa výstup nepriloží správne, klince sa môžu odraziť.

14. Nepribližujte sa rukami a chodidlami k vystrel'ovacej hlave, keď sa používa.

Je veľmi nebezpečné, ak klince omylom zasiahne ruky alebo chodidlá.



15. Vezmite na vedomie spätný ráz náradia.

Nepribližujte sa k hornej časti náradia hlavou atď. počas činnosti. Je to nebezpečné, pretože náradie sa môže prudko odraziť, ak aktuálne zavádzaný klincec príde do kontaktu s predchádzajúcim klincom alebo hrčou v dreve.

16. Dávajte pozor na dvojité vystrelenie v dôsledku spätného odrazu.

Ak sa stláčacej páčke neúmyselne umožní znova dostať do kontaktu s obrobkom po spätnom odraze, do materiálú sa zaviede nežiaduci upevňovací prvok.

Aby sa zabránilo tomuto nežiaducemu dvojitému výstrelu,

- Prerušovná činnosť (vystrel'ovanie pomocou spúšte)
 - 1) Nastavte spinacie zariadenie na MECHANIZMUS ÚPLNEHO SEKVENČNÉHO SPÚŠŤANIA.
 - 2) Stlačte spúšť rýchlo a pevne.
- Nepretržitá činnosť (vystrel'ovanie pomocou stláčacej páčky)
 - 1) Netlačte klincovačku na drevo nadmernou silou.
 - 2) Oddel'te klincovačku od dreva, keďže po zavedení upevňovacieho prvku vykoná spätný odraz.

17. Dávajte pozor pri klincovaní tenkých dosiek alebo rohov dreva.

Pri klincovaní tenkých dosiek môžu klince prejsť cez materiál, čo sa môže stať aj pri klincovaní rohov dreva kvôli vychýleniu klincov. V takýchto prípadoch sa vždy uistite, že sa nikto (ani ruky či chodidlá žiadnej osoby; atď.) nenachádza za tenkou doskou alebo vedľa dreva, ktoré sa chystáte klncovať.

18. Súčasné klincovanie na oboch stranách rovnej steny je nebezpečné.

Za žiadnych okolností by sa nemalo vykonávať klincovanie na oboch stranách steny súčasne. Bolo by to veľmi nebezpečné, keďže klince by mohli prejsť cez stenu a spôsobiť tak zranenia.

19. Nepoužívajte elektrické náradie na lešeniach, rebrikoach.

Toto elektrické náradie sa nesmie používať na špecifické aplikácie, ako sú napríklad:

- keď sa zmena miesta klincovania na iné miesto spája s použitím lešení, schodov, rebrikov alebo konštrukcií podobných rebrikom, napr. strešné laty,
- uzatváracie debny alebo prepravky,
- montáž prepravných bezpečnostných systémov napr. na vozidlách alebo vagónoch

20. Odstráňte všetky zvyšné upevňovacie prvky a batériu z klincovačky, keď:

- 1) sa vykonáva údržba a kontrola;
- 2) sa kontroluje správna činnosť stláčacej páčky a spúšte;
- 3) sa pripája alebo odpája uzáver prednej časti;
- 4) sa odstraňuje zaseknutie;
- 5) sa náradie nepoužíva;
- 6) opúšťate pracovisko;
- 7) sa náradie premiestňuje na iné miesto; a
- 8) sa náradie odovzdáva inej osobe.

Nikdy sa nepokúšajte odstrániť zaseknutie alebo opraviť klincovačku, pokiaľ ste neodstránili batériu a všetky zvyšné upevňovacie prvky z klincovačky. Klincovačka by sa nemala nikdy nechávať bez dozoru, keďže osoby, ktoré nie sú oboznámené s klincovačkou, by s ňou mohli manipulovať a zraniť sa.

21. Odstráňte batériu z klincovačky, keď:

- 1) plníte zásobník klincami;
- 2) otáčate nastavovací prvok.

22. Odpojte batériu.

Pri pripájaní a odpájaní uzáveru prednej časti odpojte batériu.

Pri pripájaní prídavného uzáveru prednej časti k špičke stláčacej páčky a pri jeho odpájaní nezabudnite vopred odpojiť batériu. Je veľmi nebezpečné, keď sa omylom vystreli klincec.

23. Prevádzkové prostredie pre toto zariadenie je od 0°C do 40°C, takže zabezpečte jeho použitie v rámci tohto rozsahu teploty. Činnosť zariadenia môže zlyhať pri teplote nižšej ako 0°C alebo vyššej ako 40°C.

24. Batériu vždy nabíjajte pri teplote okolia 0 – 40°C.

Teplota nižšia ako 0°C bude mať za následok nadmerné nabitie, ktoré je nebezpečné. Batériu nie je možné nabíjať pri teplote, ktorá je vyššia ako 40°C. Najvhodnejšia teplota na nabíjanie je 20 – 25°C.

25. Nabíjačku nepoužívajte nepretržite.

Po dokončení nabíjania nechajte nabíjačku pred ďalším nabíjaním batérie približne 15 minút mimo činnosti.

26. Nedovoľte, aby sa do otvoru na pripojenie nabíjateľnej batérie dostali akékoľvek cudzie telesá.

27. Nabíjaťnú batériu ani nabíjačku nikdy nerozoberajte.

28. Nabíjaťnú batériu nikdy neskratujte.

Skratovanie batérie bude viesť k veľkému elektrickému prúdu a prehriatiu. Následkom bude spálenie alebo poškodenie batérie.

29. Batériu neháďte do ohňa.

Ak batéria horí, môže explodovať!

30. Používanie opotrebovanej batérie poškodí nabíjačku.

31. Ak je životnosť ďalšieho nabíjania príliš krátke na praktické použitie, odneste batériu do predajne, v ktorej ste ju zakúpili.

Vyčerpanú batériu nelikvidujte.

32. Do ventilačných otvorov na nabíjačke nekladajte žiadne predmety.

Ak do ventilačných otvorov vložíte kovové predmety alebo horľavé materiály, bude to viesť k nebezpečenstvu poranenia elektrickým prúdom alebo sa poškodí nabíjačka.

33. Dbajte na to, aby sa magnety (alebo podobné magnetické zariadenia) NIKDY nepriblížili ku klincovačke, pretože táto klincovačka má vnútri magnetický snímač.

Takéto konanie spôsobí poruchu alebo riziko zranenia vyplývajúce z poruchy.

34. Jednotku nechajte po nepretržitej prevádzke odpočinúť.**35. Elektrické náradie je vybavené teplotným ochranným obvodom na ochranu motora.**

Nepretržitý chod jednotky môže spôsobiť, že sa jeho teplota zvýši, aktivuje sa teplotný ochranný obvod a prevádzka sa automaticky zastaví. Ak sa tak stane, nechajte elektrické náradie pred opätovným použitím vychladnúť.

36. Tento výrobok môže prestať pracovať, keď sa zistí nejaký nezvyčajný jav. V takých prípadoch skontrolujte položky uvedené v časti „RIEŠENIE PROBLÉMOV“ na strane 327.**37. Dbajte na to, aby nedošlo k silným otrasom spinacieho panela či jeho poškodeniu. Môže to viesť k ťažkostiam.****38. Výrobok nepoužívajte, ak je zdeformovaný nástroj alebo svorky batérie (držiak batérie).**

Inštalácia batérie môže spôsobiť skrat, ktorý by mohol viesť k emisii dymu alebo k vznieteniu.

39. Svorky nástroja (držiak na batériu) udržiajte bez kovových pilín a prachu.

- Pred použitím sa uistite, že v oblasti svoriek sa nenachádzajú kovové piliny a prach.
- Počas používania sa snažte zabrániť tomu, aby z nástroja padali na batériu kovové piliny alebo prach.
- Pri prerušení prevádzky alebo po použití nenechávajte nástroj v oblasti, kde by mohol byť vystavený padajúcim kovovým pilinám alebo prachu.
Ak tak urobíte, môže to spôsobiť skrat, ktorý by mohol viesť k emisii dymu alebo k vznieteniu.

UPOZORNENIE OHLADNE LÍTIOVO-IÓNOVÝCH BATÉRIÍ

Kvôli predĺženiu životnosti je lítiovo-iónová batéria vybavená ochrannou funkciou, ktorá preruší výkon.

V nižšie uvedených prípadoch 1 až 3 sa motor počas používania výrobku zastaví dokonca aj vtedy, keď potiahnete vypínač. Nejde o chybu, je to výsledok ochrannej funkcie.

1. Motor sa zastaví, keď sa vybije batéria.
V takomto prípade ju okamžite nabite.
2. Motor sa môže zastaviť v prípade preťaženia náradia. V takomto prípade uvoľnite vypínač náradia a odstráňte príčinu preťaženia. Následne ho budete môcť opäť použiť.
3. Batériový pohon sa môže zastaviť, ak pri preťažení dôjde k prehrievaniu batérie.
V takomto prípade prestaňte batériu používať a nechajte ju vychladnúť. Následne ho budete môcť opäť použiť.

Okrem toho, berte na zreteľ nasledujúce výstraha a upozornenia.

VÝSTRAHA

Aby ste zabránili vytekaniu kvapaliny z batérie, generovaniu tepla, unikaniu dymu, výbuchu a vznieteniu, dodržiavajte nasledujúce bezpečnostné opatrenia.

1. Nedovoľte, aby sa na batérii zachytávali kovové piliny a prach.
- Nedovoľte, aby počas práce padali na batériu kovové piliny a prach.

- Uistite sa, že sa na batérii nenazbierali kovové piliny a prach, ktoré padajú na elektrické náradie počas práce.
 - Nepoužívajte batériu neskladujte na mieste s výskytom kovových pilín a prachu.
 - Pred uskladnením z batérie odstráňte kovové piliny a prach, ktoré sa mohli na nej zachytiť a neskladujte ju spolu s kovovými súčastami (skrutky, klince, apod.).
2. Batériu neprepichujte ostrými predmetmi, ako sú napríklad klince, neudierajte po nej kladivom, nestúpajte na ňu, neháďte ju, ani ju nevystavujte silným fyzickým nárazom.
 3. Očividne poškodenú alebo zdeformovanú batériu nepoužívajte.
 4. Batériu nepoužívajte s opačnou polaritou.
 5. Nepripájajte priamo k elektrickej zásuvke ani k zásuvke zapalovača vo vozidle.
 6. Batériu nepoužívajte na iné, ako stanovené účely.
 7. Ak sa batéria nenabije ani po uplynutí zadanej doby na nabíjanie, okamžite prestaňte s ďalším nabíjaním.
 8. Batériu nevystavujte účinkom vysokých teplôt ani veľkého tlaku, ani ju nekladajte do mikrovlnnej rúry, sušičky alebo vysokotlakovej nádoby.
 9. Keď dôjde k unikaniu tekutiny, alebo ak zacítite odporný zápach, batériu okamžite odneste mimo ohňa.
 10. Batériu nepoužívajte na miestach, kde dochádza ku generovaniu silnej statickej elektriny.
 11. Ak počas používania, nabíjania alebo skladovania dochádza k unikaniu tekutiny z batérie, ak zacítite odporný zápach, alebo ak dochádza ku generovaniu tepla, zmene farby, deformáciám alebo k čomukoľvek neštandardnému, batériu okamžite vyberte z náradia alebo z nabíjačky a prestaňte ju používať.
 12. Batériu neponárajte ani nedovoľte, aby sa do nej dostali akékoľvek kvapaliny. Vniknutie vodivej kvapaliny, ako je napríklad voda, môže spôsobiť poškodenie, ktoré môže spôsobiť požiar alebo výbuch. Batériu skladujte na chladnom, suchom mieste, mimo výbušných a horľavých predmetov. Musíte sa vyhnúť prostrediam s korozívnymi plynmi.

UPOZORNENIE

1. Ak sa tekutina unikajúca z batérie dostane do očí, oči si nešuchajte a dôkladne si ich vypláchnite čerstvou čistou vodou, ako je pitná voda z vodovodu a okamžite vyhľadajte lekársku pomoc.
Ak nevyhľadáte ošetroenie, tekutina môže spôsobiť problémy zraku.
2. Ak sa tekutina dostane na kožu alebo odev, okamžite ich dôkladne umyte alebo očistite čistou vodou, ako je pitná voda z vodovodu.
Existuje možnosť, že môže dôjsť k podráždeniu pokožky.
3. Ak pri prvotnom používaní akumulátora zistíte výskyt hrdze, odporný zápach, prehrievanie, stratu farby, deformácie a/alebo iné nezrovnalosti, batériu nepoužívajte a vráťte ju predajcovi alebo dodávateľovi.

VÝSTRAHA

Ak sa do svorky lítiovo-iónovej batérie dostane vodivé cudzie teleso, batéria môže zoskratovať a spôsobiť požiar. Pri uskladňovaní lítiovo-iónovej batérie určite dodržiavajte nasledovné pravidlá.

- Do skladovacej skrinky nekladajte vodivé odrezky, klince ani drôty, ako je napríklad oceľový drôt a medený drôt.
- Aby ste predišli zoskratovaniu, vložte batériu do nástroja alebo pri uskladnení pevne založte kryt batérie, až kým nevidíte ventilátor.

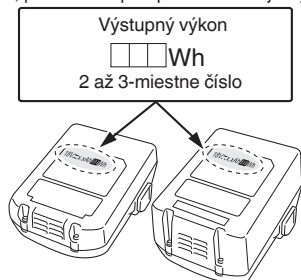
PREPRAVA TÝKAJÚCA SA LÍTIOVO-IÓNOVÝCH BATÉRIÍ

Pri preprave lítiovo-iónovej batérie dodržiavajte nasledovné opatrenia.

VÝSTRAHA

Pri organizovaní prepravy ohláste prepravnej spoločnosti, že balenie obsahuje lítiovo-iónovú batériu, informujte ju o výstupnom výkone a postupujte podľa pokynov prepravnej spoločnosti.

- Lítium-iónové batérie, ktoré prekračujú výkon 100 Wh, sú pri transporte označené ako nebezpečný tovar, ktorý vyžaduje špeciálne aplikačné postupy.
- Pri preprave do zahraničia musíte vyhovieť medzinárodným zákonom, pravidlám a predpisom cieľovej krajiny.



NÁZVY DIELOV (Obr. 1 – Obr. 28)

①	Vrchný kryt
②	Spúšť
③	LED indikátor
④	Vystreľovacia hlava (výstup)
⑤	Stláčacia páčka
⑥	Podávač klincov (A)
⑦	Podávač klincov (B)
⑧	Zásobník
⑨	Hák
⑩	Batéria
⑪	Poistná páčka spínača
⑫	Rukoväť
⑬	Zaisťovacia páčka
⑭	Spínač indikátora batérie
⑮	Indikátor batérie
⑯	Prepínač postupu klincovania
⑰	Indikátor napájania
⑱	Hlavný vypínač
⑲	Indikátor postupu klincovania
⑳	Pás klincov
㉑	Kryt zásobníka
㉒	Drážka
㉓	Vodiaci prvok čepele






㉔	Nastavovací prvok
㉕	Háková doštička
㉖	Uzáver prednej časti
㉗	Poistná páčka
㉘	Vodiaca doštička


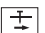



SYMBOLY

VÝSTRAHA

Nižšie sú zobrazené symboly, ktoré sa v prípade strojného zariadenia používajú. Pred použitím náradia sa oboznámte s významom týchto symbolov.

	NT 1865DBAL: Akumulátorová klincovačka NT 1865DBSL: Akumulátorová klincovačka NT 1850DBSL: Akumulátorová klincovačka na klince bez hlavičky
	Aby sa znížilo riziko zranenia, musí si užívateľ prečítať návod na obsluhu.
	Iba pre krajiny EÚ Elektrické náradie nelikvidujte spolu s domácim odpadom! Aby ste dodržali ustanovenia európskej smernice 2012/19/EÚ o odpadových elektrických a elektronických zariadeniach a jej implementáciu v zmysle národnej legislatívy, je potrebné elektrické náradie po uplynutí jeho doby životnosti separovať a doručiť na environmentálne prijateľné miesto recyklovania.
	Jednosmerný prúd
	Zapnutie
	Vypnutie
	Odpojte akumulátor
	Hlavný vypínač
	Vypnutie napájania
	Zapnutie napájania Indikátor napájania: Svetí zelenou farbou
	Prepínač postupu klincovania
	MECHANIZMUS ÚPLNÉHO SEKVENČNÉHO SPÚŠŤANIA
	Režim MECHANIZMU ÚPLNÉHO SEKVENČNÉHO SPÚŠŤANIA Indikátor postupu klincovania: Svetí modrou farbou
	MECHANIZMUS KONTAKTNÉHO SPÚŠŤANIA
	Režim MECHANIZMU KONTAKTNÉHO SPÚŠŤANIA Indikátor postupu klincovania: Bliká modrou farbou
	Spúšť je uzamknutá

	Spúšť je odomknutá
	Spínač indikátora batérie
	Zostávajúca energia batérie je dostatočná Indikátor batérie: 2 LED indikátory (červené) svietia
	Zostávajúca energia batérie je približne polovičná. Indikátor batérie: 1 LED indikátor (červený) svieti
	Zostávajúca energia batérie je takmer nulová. Čo najskôr nabite batériu. Indikátor batérie: 1 LED indikátor (červený) blíká

	Požiadajte spoločnosť HiKOKI o kontrolu. Indikátor batérie: 2 LED indikátory blikajú oranžovou farbou, po 10 sekundách sa automaticky vypne hlavný vypínač.
	Plytká strana
	Hlboká strana
	Výstraha
	Zakázaná činnosť

TECHNICKÉ PARAMETRE

1. Akumulátorová kľincovačka

Model	NT1865DBAL	NT1865DBSL	
Motor	Bezkomutátorový jednosmerný	Bezkomutátorový jednosmerný	
Použitelný klinec	15 Ga (Uhol: 34°)	16 Ga	
Použitelná dĺžka klinca	32 mm až 65 mm	25 mm až 65 mm	
Nosnosť klinca [klince]	100 (1 pás)	100 (2 pásy)	
Režim vystrel'ovania	Úplný sekvenčný/kontaktný (voliteľný)	Úplný sekvenčný/kontaktný (voliteľný)	
Počet na cyklus [klince/sekunda]	3 (prerušované)	3 (prerušované)	
Batéria	Model	BSL1830C	BSL1830C
	Typ	Litium-iónová batéria	
	Napätie	18 V jednosm.	
Hmotnosť*	3,5 – 4,1 kg	3,4 – 4,0 kg	
Rozmery Výška x Dĺžka x Šírka	344 mm x 300 mm x 104 mm	315 mm x 298 mm x 104 mm	315 mm x 310 mm x 104 mm

* V súlade s postupom EPTA 01/2014

V závislosti od pripojenej batérie. Najťažšia váha sa meria pomocou BSL36B18 (predáva sa samostatne).

2. Akumulátorová kľincovačka na klince bez hlavičky

Model	NT1850DBSL	
Motor	Bezkomutátorový jednosmerný	
Použitelný klinec	18 Ga	
Použitelná dĺžka klinca	16 mm až 50 mm	
Nosnosť klinca [klince]	100 (1 pás)	
Režim vystrel'ovania	Úplný sekvenčný/kontaktný (voliteľný)	
Počet na cyklus [klince/sekunda]	3 (prerušované)	
Batéria	Model	BSL1830C
	Typ	Litium-iónová batéria
	Napätie	18 V jednosm.
Hmotnosť*	3,3 – 4,0 kg	
Rozmery Výška x Dĺžka x Šírka	323 mm x 298 mm x 104 mm	323 mm x 310 mm x 104 mm

* V súlade s postupom EPTA 01/2014

V závislosti od pripojenej batérie. Najťažšia váha sa meria pomocou BSL36B18 (predáva sa samostatne).

3. Nabíjačka batérií

Model	UC18YFSL	UC18YML2
Nabíjacie napätie	14,4 – 18 V jednosm.	
Hmotnosť	0,5 kg	0,7 kg

POZNÁMKA

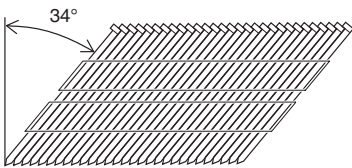
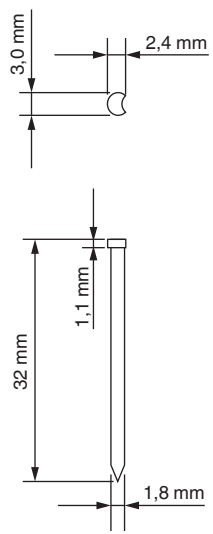

Vzhľadom na pokračujúci program výskumu a vývoja v spoločnosti HiKOKI si vyhradzuje právo zmien tu uvedených technických parametrov bez predchádzajúceho upozornenia.

VÝBER KLINCOV

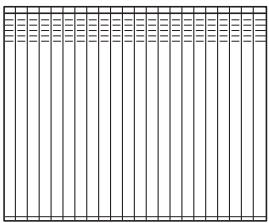
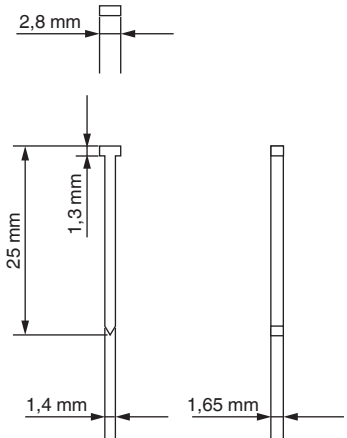

Pomocou tejto klincovačky je možné zavádzať len klince uvedené v tabuľke nižšie.

Rozmery klincov

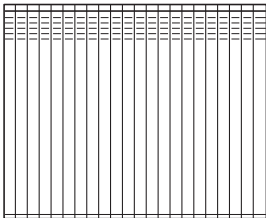


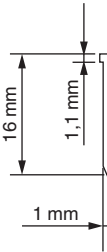
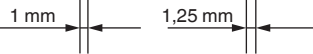
<NT1865DBAL>

	Min.	Max.
<p>Klince s malou hlavičkou a rozmerom 15 (Uhol: 34°)</p> 		

<NT1865DBSL>

	Min.	Max.
<p>Klince s malou hlavičkou a rozmerom 16 (priame)</p> 		

<NT1850DBSL>

	Min.	Max.
<p>Klince bez hlavičky s rozmerom 18 (priame)</p> 	 <p>1,9 mm</p>	 <p>50 mm</p>
	 <p>16 mm 1,1 mm</p>  <p>1 mm 1,25 mm</p>	
	Okrem klincov s dĺžkou 35 mm	

ŠTANDARDNÉ PRÍSLUŠENSTVO

Okrem hlavnej jednotky (1 jednotka) obsahuje balenie príslušenstvo, ktoré je uvedené na strane 378.

Štandardné príslušenstvo podlieha zmenám bez predchádzajúceho oznámenia.

POUŽITIE

<NT1865DBAL, NT1865DBSL>

- Klincovanie ako finálny proces pre oblasti okolo dverí, okien aj okrajov.
- Zabezpečenie spodnej časti zásuviek. Výroba rôznych debien a skriň.

<NT1850DBSL>

- Zostavy skriň a rámy obrazov, ozdobné diely nábytku.
- Ozdobné diely a lišty na domoch a mobilných domoch.

NABÍJANIE

Pred použitím elektrického náradia nabite batériu nasledovne.

1. Pripojte k zdroju napájania. (Obr. 3)

Pri nabíjaní batérie z AC zdroja napájania

- Pripojte napájací kábel nabíjačky k zásuvke. Po pripojení zástrčky nabíjačky k zásuvke začne blikať kontrolka načerveno (v 1-sekundových intervaloch).

UPOZORNENIE

Elektrický kábel nepoužívajte, ak je poškodený. Okamžite ho dajte opraviť.

Pri nabíjaní batérie z 12 V DC napájania vo vozidle (UC18YML2)

- Zabezpečte nabíjačku vo vozidle napevno. Nabíjačku na batériu pripevnite na mieste pomocou remeňa, ktorý vám bol dodaný s nabíjačkou, aby ste predišli jej neúmyselnému pohybu. (Pozrite obr. 28)

UPOZORNENIE

Nabíjačku na batérie ani batériu neumiestňujte pod sedadlo vodiča. Nabíjačku na batérie zabezpečte na mieste, aby ste predišli jej náhodnému pohybu, pretože by to mohlo viesť k nehode.



Obr. 28

- Vložte zástrčku do cigaretového zapalovača do zásuvky zapalovača vo vozidle. Ak sa zástrčka uvoľní a vypadne zo zásuvky zapalovača, opravte zásuvku. Keďže zásuvka môže mať poruchu, odporúčame vám, aby ste kontaktovali miestneho predajcu vozidiel. Ak budete používať zásuvku aj naďalej, môže to viesť k nehode z dôvodu prehriatia.
2. **Vložte batériu do nabíjačky.**
Batériu pevne vložte do nabíjačky, až kým nevidíte rysku podľa znázornenia na Obr. 3. Rysky sa nezobrazujú na UC18YFSL. Uistite sa, že je batéria pevne nainštalovaná na mieste.
 3. **Nabíjanie**
Pri vkladaní batérie do nabíjačky sa spustí nabíjanie a kontrolka bude nepretržite svietiť červenou farbou. Po úplnom nabití batérie začne kontrolka blikať na červeno. (V 1-sekundových intervaloch) (Pozrite si **Tabuľku 1**)
- (1) Svetlo kontrolky
Významy svetla kontrolky sú uvedené v **Tabuľke 1**, a to podľa stavu nabíjačky alebo nabíjateľnej batérie.

Tabuľka 1

<UC18YFSL>

Významy svetla kontrolky				
Kontrolka (červená)	Pred nabíjaním	Bliká	Svieti na 0,5 sekundy. Nesvieti na 0,5 sekundy. (zhasne raz za 0,5 sekundy)	
	Počas nabíjania	Svieti	Svieti nepreerušovanie	
	Nabíjanie je dokončené	Bliká	Svieti na 0,5 sekundy. Nesvieti na 0,5 sekundy. (zhasne raz za 0,5 sekundy)	
	Prehrievanie v pohotovostnom režime	Bliká	Svieti na 1 sekundu. Nesvieti na 0,5 sekundy. (zhasne raz za 0,5 sekundy)	Batéria je prehriata. Nedá sa nabíť. (Nabíjanie sa začne po vychladnutí batérie)
	Nabíjanie nie je možné	Mihoce sa	Zasvieti na 0,1 sekundy. Nesvieti na 0,1 sekundy. (zhasne raz za 0,1 sekundy)	Porucha batérie alebo nabíjačky

<UC18YML2>

Významy svetla kontrolky				
Kontrolka svieti alebo bliká červenou farbou.	Pred nabíjaním	Bliká	Svieti na 0,5 sekundy. Nesvieti na 0,5 sekundy. (zhasne raz za 0,5 sekundy)	
	Počas nabíjania	Svieti	Svieti nepreerušovanie	
	Nabíjanie je dokončené	Bliká	Svieti na 0,5 sekundy. Nesvieti na 0,5 sekundy. (zhasne raz za 0,5 sekundy)	
	Nabíjanie nie je možné	Mihoce sa	Svieti na 0,1 sekundy. Nesvieti na 0,1 sekundy. (zhasne raz za 0,1 sekundy)	Porucha batérie alebo nabíjačky
Kontrolka svieti alebo bliká zelenou farbou.	Prehrievanie v pohotovostnom režime	Svieti	Svieti nepreerušovanie	Batéria sa prehrieva. Nedá sa nabíť. (Nabíjanie sa začne po vychladnutí batérie)
	Nabíjanie so zdrojom napájania vo vozidle nie je možné	Bliká	Svieti na 0,5 sekundy. Nesvieti na 0,5 sekundy. (zhasne raz za 0,5 sekundy)	Porucha 12 V DC napájania

POZNÁMKA: Počas pohotovostného režimu na chladenie batérie chladí model UC18YML2 prehriatu batériu pomocou chladiaceho ventilátora. (Ventilátor však nefunguje pri nabíjaní batérie pomocou 12 V DC zdroja napájania vo vozidle.)

- (2) Informácie týkajúce sa teploty nabíjateľnej batérie
Teplota pre nabíjateľné batérie je uvedená v **Tabuľke 2** a batérie, ktoré sa zohriali, by sa mali pred nabíjaním nechať vychladnúť.

Tabuľka 2 Nabíjacie rozsahy batérií

Nabíjateľné batérie	Teploty, pri ktorých možno batériu nabíjať
BSL1830C, BSL1850	0°C – 50°C

- (3) Informácie týkajúce sa doby nabíjania
V závislosti od kombinácie nabíjačky a batérií bude doba nabíjania podľa hodnôt uvedených v **Tabuľke 3**.

Tabuľka 3 Doba nabíjania (pri 20°C) (striedavé napájanie/ jednosmerné napájanie 12 V (v aute))

Batéria \ Nabíjačka	UC18YFSL	UC18YML2
BSL1830C	Približne 45 minút	Približne 45/120 minút
BSL1850	Približne 75 minút	Približne 75/200 minút

POZNÁMKA

Doba nabíjania sa môže odlišovať, záleží od okolitej teploty a napätia zdroja napájania.

<UC18YML2>

Hlavné použitie 12 V DC zdroja napájania vo vozidle môže vyžadovať dlhšiu dobu nabíjania pri vysokých teplotách.

UPOZORNENIE

Pri nepretržitom používaní nabíjačky na batérie sa nabíjačka na batérie zohreje, čo môže predstavovať príčinu porúch. Po dokončení nabíjania počkajte pred ďalším nabíjaním 15 minút.

4. Odpojte napájací kábel nabíjačky zo zásuvky alebo zásuvky cigaretového zapalovača.

5. Nabíjačku pevne uchopte a vyťahnite batériu.

POZNÁMKA

Po použití nezabudnite z nabíjačky vybrať batériu a potom ju odložte.

Čo sa týka elektrického výboja v prípade nových batérií, atď.

Vzhľadom na to, že chemická látka nachádzajúca vo vnútri nových batérií a v batériách, ktoré sa po dlhšiu dobu nepoužívali, nie je aktivovaná, elektrický výboj môže byť po prvom a druhom použití slabý. Je to dočasný jav a optimálny čas potrebný na nabíjanie sa obnoví po opätovnom nabíjaní batérií 2 – 3 krát.

Ako predĺžiť životnosť batérií.

- Nabite batérie skôr ako sa úplne vybijú. Ak máte pocit, že výkon náradia slabne, prerušte jeho používanie a batériu náradia znovu nabite. Ak budete náradie aj naďalej používať a vyčerpáte elektrický prúd, batéria sa môže poškodiť a jej životnosť sa tým skráti.
- Vyhýbajte sa nabíjaniu pri vysokých teplotách. Nabíjateľná batéria bude horúca ihneď po použití. Ak sa takáto batéria nabíja ihneď po použití, jej vnútorná chemická látka sa poškodí a životnosť batérie sa skráti. Nechajte batériu na chvíľu vychladnúť a až potom ju znovu nabíjajte.

UPOZORNENIE

- Ak sa batéria nabíja, keď je horúca, z dôvodu, že bola dlho vystavená priamemu slnečnému svetlu alebo z dôvodu, že bola práve používaná, kontrolka nabíjačky sa na 1 sekundu rozsvieti a 0,5 sekundy nesvieti (na 0,5 sekundy sa vypne) (UC18YFSL) alebo sa rozsvieti nazeleno. (UC18YML2). V takom prípade nechajte batériu najskôr vychladnúť a až potom ju začnite nabíjať.
- Keď kontrolka bliká načerveno (v 0,2 sekundových intervaloch), skontrolujte, či sa v konektore batérie na nabíjačke nenachádzajú cudzie predmety. Ak sa tam nachádzajú, odstráňte ich. Ak nenájdete žiadne cudzie predmety, pravdepodobne došlo k poruche batérie alebo nabíjačky. Odnesť ich do autorizovaného servisného strediska.
- Keďže vstavanému mikropočítaču trvá približne 3 sekundy, kým potvrdí vybrať batérie nabíjanej pomocou nabíjačky UC18YFSL/UC18YML2, pred vložením batérie na pokračovanie v nabíjaní počkajte minimálne 3 sekundy. Ak batériu znova vložíte do 3 sekúnd, nemusí sa správne nabiť.
- Ak kontrolka bliká nazeleno (v 1-sekundových intervaloch), skontrolujte napätie zdroja napájania vo vozidle. (UC18YML2)
Ak je napätie 12 V alebo menej, oznamuje, že akumulátor vozidla bol oslabený a nedá sa nabíjať.
- Ak kontrolka neblíkajú načerveno (každú sekundu), ani keď je zástrčka napájacieho kábla alebo zapalovača pripojená k napájaniu, oznamuje, že môže byť aktivovaný ochranný obvod nabíjačky.
Odpojte kábel alebo zástrčku od napájania a opätovne pripojte po približne 30 sekundách. Ak toto nie je príčina a kontrolka bude blikáť načerveno (každú sekundu), odnesť prosím nabíjačku do autorizovaného servisného strediska spoločnosti HiKOKI.

PRED POUŽITÍM

Činnosť	Obrázok	Strana
Vyberanie vkladanie batérie	2	379
Nabíjanie	3	380
Výber príslušenstva	—	385

1. Spôsob ovládania ovládacieho panela

(1) Zapnutie hlavného vypínača (pozrite si **Obr. 4**)

V stave „vypnutia hlavného vypínača“ podržte stlačený hlavný vypínač viac ako 1 sekundu, potom sa indikátor napájania rozsvieti zelenou farbou.

POZNÁMKA

Počas procesu zapínania hlavného vypínača nestláčajte stlačiaciu páčku a/alebo spúšť.

V opačnom prípade sa zabráni zapnutiu hlavného vypínača.

[Automatické vypnutie napájania]

Keď je zapnuté napájanie, ale klincovačka sa nepoužíva po dobu 30 minút, automaticky sa vypne. Ak ju chcete znova zapnúť, stlačte hlavný vypínač.

VÝSTRAHA

Nikdy nezanecchávajte klincovačku so zapnutým napájaním. Mohlo by to viesť k nehode.

(2) Vypnutie hlavného vypínača (pozrite si **Obr. 4**)

V stave „zapnutia hlavného vypínača“ podržte stlačený hlavný vypínač viac ako 1 sekundu, potom indikátor napájania zhasne.

V stave „zapnutia hlavného vypínača“ sú aktívne nižšie uvedené funkcie.

(3) Zvoľte režim postupu klincovania

(Uplyné sekvenčné spúšťanie/kontaktné spúšťanie)

Po zapnutí hlavného vypínača vždy nastavte režim úplného sekvenčného spúšťania ako počiatočný režim. (Indikátor postupu klincovania sa rozsvieti modrou farbou.) (Pozrite si **Obr. 5**)

Ak chcete zmeniť režim postupu klincovania, raz stlačte prepínač postupu klincovania. Po každom stlačení sa bude režim prepínať medzi „úplným sekvenčným“ a „kontaktným“. (Pozrite si **Obr. 6**)

Svieti (modrý):




MECHANIZMUS ÚPLNÉHO SEKVENČNÉHO SPÚŠŤANIA,

Bliká (modrý):

MECHANIZMUS KONTAKTNÉHO SPÚŠŤANIA

(4) Skontrolujte stav nabitia batérie

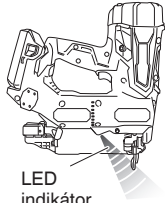

Po stlačení spínača indikátora batérie indikátor batérie zobrazí stav nabitia batérie pomocou stavu LED indikátora tak, ako je to uvedené nižšie.

Stav indikátora	
 <p>2 LED indikátory (červené) svietia</p>	Zostávajúca energia batérie je dostatočná.
 <p>1 LED indikátor (červený) svieti</p>	Zostávajúca energia batérie je približne polovičná.
 <p>1 LED indikátor (červený) bliká</p>	Zostávajúca energia batérie je takmer nulová. Čo najskôr nabite batériu.

Slovenčina

(5) Ďalšie funkcie

V prípade chyby prevádzky sa budú LED indikátory zobrazovať tak, ako je to uvedené nižšie.

Stav indikátora	
 <p>LED indikátor</p> <p>LED indikátor bliká v intervale.</p> <ul style="list-style-type: none">• V prípade stavu príliš vysokej teploty bude blikáť v 1 -sekundovom intervale.• V prípade stavu príliš nízkej teploty bude blikáť v 0,5 -sekundovom intervale. <p>Po 10 sekundách sa automaticky vypne LED indikátor a hlavný vypínač.</p>	<p>Zariadenie je v stave príliš nízkej teploty (pod -5°C alebo príliš vysokej teploty. Nechajte kľincovačku úplne vychladnúť alebo sa zohriate za primeraných podmienok.</p>
 <p>2 LED indikátory blikajú oranžovou farbou, po 10 sekundách sa automaticky vypne hlavný vypínač.</p>	<p>Požiadajte spoločnosť HIKOKI o kontrolu.</p>

(6) Spôsob používania LED svetla (pozrite si Obr. 7)

Pokiaľ je zapnutý hlavný vypínač, LED svetlo bude automaticky osvetľovať špičku náradia.


UPOZORNENIE

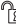
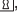
- Nevystavujte oko priamemu pôsobeniu tohto svetla pohľadom do svetla. Ak bude oko nepretržite vystavené pôsobeniu tohto svetla, dôjde k poškodeniu oka.
- Utrite všetky nečistoty alebo špinu prilepenú k šošovke LED svetla jemnou handričkou, pričom dávajte pozor, aby ste šošovku nepoškriabali. Škrabance na šošovke LED svetla môžu spôsobiť zníženie jasú.

2. Mechanizmus uzamknutia spúšte (pozrite si Obr. 8) VÝSTRAHA

Uistite sa, že je spúšť uzamknutá, keď sa nevystrelujú kľince.

Táto kľincovačka má uzamykací mechanizmus na zabránenie vystreleniu kľincov.

Poistnú páčku spínača nastavte do polohy  na uzamknutie spúšte.

Posuňte poistnú páčku spínača do polohy , keď sa bude kľincovačka používať, a do polohy , keď sa nebude používať.

3. Skúšanie kľincovačky

VÝSTRAHA

- Uistite sa, že je spúšť uzamknutá, keď sa nevystrelujú kľince. (Pozrite si Obr. 8)
- Nikdy nepoužívajte kľincovačku, pokiaľ nefunguje správne stláčacia páčka. Modely NT1865DBAL a NT1865DBSL sú vybavené ochranným mechanizmom pre prípad činnosti s prázdny m zásobníkom.

Modely NT1865DBAL a NT1865DBSL prejdú do stavu, v ktorom sa stláčacia páčka nedá stlačiť. K tomu dochádza vtedy, keď zásobník nie je naplnený kľincami, alebo keď je zostávajúci počet kľincov menší ako 6 alebo 9.

UPOZORNENIE

Dávajte pozor, aby nedošlo k nárazu špičky stláčacej páčky do dreva.

Pred začatím samotného kľincovania vyskúšajte kľincovačku na základe nižšie uvedeného kontrolného zoznamu. Vykonaajte skúšky v nasledujúcom poradí.

Ak sa vyskytne nezvyčajná činnosť, prestaňte používať kľincovačku a ihneď kontaktujte autorizované servisné stredisko spoločnosti HIKOKI.

(1) ODSTRÁŇTE VŠETKY KLINCE A BATÉRIU Z KLINCOVAČKY.

VŠETKY SKRUTKY MUSIA BYŤ PRITIAHNUTÉ.

STLÁČACIA PÁČKA A SPÚŠŤ SA MUSIA POHYBOVAŤ HLADKO pri potiahnutí podávača kľincov dozadu (B). (NT1850DBSL: Nie je potrebné potahovať podávač kľincov dozadu)

(2) Inštalácia batérie.

Počas inštalácie batérie nepoužívajte stláčaciu páčku ani spúšť. (Pozrite si **Obr. 2**)

(3) Zapnite hlavný vypínač. (Pozrite si **Obr. 1**)

Zapnite hlavný vypínač podržaním hlavného vypínača stlačeného na dlhšie ako 1 sekundu.

Uistite sa, že indikátor napájania svieti zelenou farbou a že indikátor postupu kľincovania svieti modrou farbou. (MECHANIZMUS ÚPLNÉHO SEKVENČNÉHO SPÚŠŤANIA)

POZNÁMKA

Počas procesu zapínania hlavného vypínača nestláčajte stláčaciu páčku a/alebo spúšť.

V opačnom prípade sa zabráni zapnutiu hlavného vypínača.

[Automatické vypnutie napájania]

Keď je zapnuté napájanie, ale kľincovačka sa nepoužíva po dobu 30 minút, automaticky sa vypne. Ak ju chcete znova zapnúť, stlačte hlavný vypínač.

VÝSTRAHA

Nikdy nezanedbávajte kľincovačku so zapnutým napájaním. Mohlo by to viesť k nehode.

Indikátor postupu kľincovania

Svietí (modrý):

MECHANIZMUS ÚPLNÉHO SEKVENČNÉHO SPÚŠŤANIA,

Bliká (modrý):

MECHANIZMUS KONTAKTNÉHO SPÚŠŤANIA

Uistite sa, že indikátor batérie neblíkajú.

Ak indikátor batérie bliká červenou farbou, znamená to, že batéria nemá dostatok energie a musí sa nabiť.

(4) Odstráňte prst zo spúšte a pritlačte stláčaciu páčku na obrobok s potiahnutím podávača kľincov dozadu (B).

KLINCOVAČKA SA NESMIE UVIESŤ DO ČINNOSTI.

(5) Oddiaľte stláčaciu páčku od obrobku.

Potom namierte kľincovačku smerom nadol s potiahnutím podávača kľincov dozadu (B), stlačte spúšť a počkajte v tejto polohe 5 sekúnd alebo dlhšie.

KLINCOVAČKA SA NESMIE UVIESŤ DO ČINNOSTI.

(6) Bez toho, aby ste sa dotýkali spúšte, pritlačte stláčaciu páčku na obrobok s potiahnutím podávača kľincov dozadu (B). Potom stlačte spúšť.

KLINCOVAČKA SA MUSÍ UVIESŤ DO ČINNOSTI.

- ② Podržte spúšť a znova prítlačte stlačiaciu páčku na obrobok.
- KLINCOVAČKA SA NESMIE UVIESŤ DO ČINNOSTI.
- ③ Oddel'te prst od spúšte. Potom sa ① použije znova.
- KLINCOVAČKA SA MUSÍ UVIESŤ DO ČINNOSTI.
- (7) Oddel'te stlačiaciu páčku od obrobku, stlačte spúšť. Do 2 sekúnd prítlačte stlačiaciu páčku na obrobok.

KLINCOVAČKA SA NESMIE UVIESŤ DO ČINNOSTI.

- (8) Nastavte bliakajúci indikátor postupu klincovania do režimu zapnutia ON. (MECHANIZMUS KONTAKTNÉHO SPÚŠŤANIA)
Raz stlačte prepínač postupu klincovania a uistite sa, že indikátor bliká modrou farbou.
Oddel'te stlačiaciu páčku od obrobku, stlačte spúšť. Do 2 sekúnd prítlačte stlačiaciu páčku na obrobok.

KLINCOVAČKA SA MUSÍ UVIESŤ DO ČINNOSTI.

- (9) Ak sa nepozoruje žiadna nezvyčajná činnosť, môžete vložiť klinge do zásobníka.
Zaveďte klinge do obrobku, ktorý je rovnakého typu ako ten, čo sa má použiť v rámci skutočnej aplikácie.

KLINCOVAČKA MUSÍ FUNGOVAŤ SPRÁVNE.

4. Kontrola činnosti stlačacej páčky

VÝSTRAHA

Uistite sa, že je spúšť uzamknutá, keď sa nevystreľujú klinge.
Pri kontrole činnosti stlačacej páčky sa vždy uistite, že je uzamknutá spúšť a vybratá batéria z elektrického náradia.
Vykonať kontrolu, aby ste sa uistili, že sa stlačacia páčka pri použití posúva plynulo.
Vyčistite posuvnú oblasť na stlačacej páčke, ak sa neposúva plynulo.

5. Vložte klinge

VÝSTRAHA

- Pri vkladaní klincov do klincovačky
- 1) vyberte batériu z klincovačky;
 - 2) nestláčajte spúšť;
 - 3) nestláčajte stlačiaciu páčku; a
 - 4) držte klincovačku namierenú smerom nadol.

<NT1865DBAL, NT1865DBSL>

2-činné podávanie klincov!

- (1) Vložte pás klincov do zadnej časti zásobníka. (Pozrite si **Obr. 9**)
- (2) Posuňte pás klincov dopredu v zásobníku. (Pozrite si **Obr. 10**)
- (3) Potlačením podávača klincov (A) zapojte podávač klincov (B) do pásu klincov. (Pozrite si **Obr. 11**)

POZNÁMKA

- Jemne potlačte podávač klincov (A) a podávač klincov (B) oproti klicu.
Ak sa podávač klincov (A) a podávač klincov (B) uvoľnia zo zadnej časti zásobníka a narazia o klinec, môže sa poškodiť spojovací prířnavý prvok klicu.
- Použite pás klincov s viac ako 10 klicmi.
- Použite nezlomený pás klincov so všetkými klicmi rovnakej dĺžky.

Teraz je klincovačka pripravená na činnosť.

Odstraňovanie klincov:

- ① Potiahnite podávač klincov (B) dozadu. (Pozrite si **Obr. 12**)
- ② Jemne vráťte podávač klincov (B) dopredu počas stlačania podávača klincov (A).
- ③ Vytiahnite klinge zo zadnej časti zásobníka. (Pozrite si **Obr. 13**)

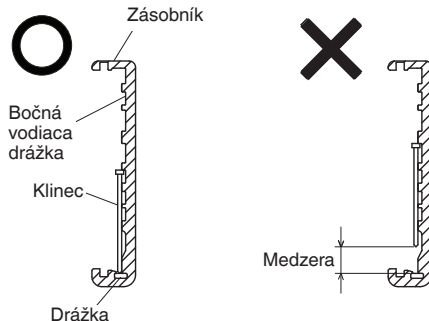
<NT1850DBSL>

- (1) Zľahka stlačte zaistovaciu páčku a pozvoľne vytiahnite kryt zásobníka. (Pozrite si **Obr. 14**)
- (2) Zaveďte pás klincov do zásobníka a uchovajte hroty klincov v kontakte s drážkou. (Pozrite si **Obr. 15**)

POZNÁMKA

Klinge uvedené na strane 319 je možné zaviesť do bočnej vodiacej drážky zásobníka bez akéhokoľvek nastavovania.

Vždy udržiavajte hroty klincov v kontakte s drážkou.



- (3) Posuňte pás klincov do vodiacej lišty. (Pozrite si **Obr. 16**)
- (4) Uistite sa, že je pás klincov umiestnený s bočnými vodiacimi drážkami a hlavnou drážkou správnym spôsobom, potom potlačte kryt zásobníka dopredu tak, aby sa zaistil.

SPÔSOB POUŽÍVANIA KLINCOVAČKY

VÝSTRAHA

- NIKDY nemierte náradím na seba ani na ostatných na pracovisku.
- NEPRIBLIŽUJTE SA prstami k spúšti, keď nezavádzate klinge do materiálu, aby nedošlo k náhodnému vystreleniu.
- Elektrický kábel nepoužívajte, ak je poškodený. Okamžite ho dajte opraviť.
- Výber spôsobu spúšťania je dôležitý. Prečítajte si a pochopte časť „1. Postupy klincovania“ uvedenú nižšie.
- Pred začatím práce skontrolujte zariadenie na prepínanie postupu klincovania.
Táto klincovačka HiKOKI obsahuje zariadenie na prepínanie postupu klincovania.
Pred začatím práce sa uistite, že je zariadenie na prepínanie správne nastavené.
Ak sa zariadenie na prepínanie nenastaví správne, klincovačka nebude fungovať správne.
- Nikdy neumiestňujte tvár, ruky ani chodidlá do blízkosti vystreľovacej hlavy, keď sa používa.
- Nezavádzajte klinge do hornej časti iných klincov ani s klincovačkou pod prílišným uhlom; klinge sa môžu odraziť a niekoho zraníť.
- Nezavádzajte klinge do tenkých dosiek ani blízko rohov a okrajov obrobku. Klinge môžu prejsť cez materiál alebo mimo obrobku a niekoho zasiahnúť.
- Nikdy nezavádzajte klinge z oboch strán steny súčasne. Klinge môžu prejsť cez stenu a zasiahnúť osobu na opačnej strane.
- Nikdy nepoužívajte klincovačku, ktorá je chybná alebo funguje nezvyčajným spôsobom.
- Nepoužívajte klincovačku ako kladivo.
- Odstráňte všetky zvyšné upevňovacie prvky a batériu z klincovačky, keď:
 - 1) sa vykonáva údržba a kontrola;
 - 2) sa kontroluje správna činnosť stlačacej páčky a spúšte;

Slovenčina

- 3) sa pripája alebo odpája uzáver prednej časti;
 - 4) sa odstraňuje zaseknutie;
 - 5) sa náradie nepoužíva;
 - 6) opúšťate pracovisko;
 - 7) sa náradie premiestňuje na iné miesto; a
 - 8) sa náradie odovzdáva inej osobe.
- Odstráňte batériu z kľincovačky, keď:

- 1) plníte zásobník kľincami;
- 2) otáčate nastavovací prvok.

Táto kľincovačka HIKOKI je vybavená zariadením na prepínanie činnosti kľincovačky.

Použite MECHANIZMUS ÚPLNÉHO SEKVENČNÉHO SPÚŠŤANIA alebo MECHANIZMUS KONTAKTNÉHO SPÚŠŤANIA podľa práce, ktorá sa má vykonať.

Vysvetlenie rôznych postupov kľincovania

- MECHANIZMUS ÚPLNÉHO SEKVENČNÉHO SPÚŠŤANIA:

Najskôr pritlačte stlačiaciu páčku na drevo; potom stlačením spúšte zavedie do materiálu klinec.

Dodržaním rovnakej postupnosti pokračujte v zavádzaní kľincov.

Po pribití kľinca nebudete môcť pribiť ďalší klinec, kým neodstránite prst zo spúšte a nástroj úplne nezodvihnete z dreveného povrchu.

- MECHANIZMUS KONTAKTNÉHO SPÚŠŤANIA:

KONTAKTNÉ SPÚŠŤANIE sa môže vykonávať podľa dvoch rôznych postupností, a to v závislosti od použitia.

Spôsob zavedenia niekoľkých kľincov:

1. Stlačte spúšť.
2. Pritlačením stlačacej páčky na drevo zavedie klinec do materiálu.
3. Ak sa podrží stlačená spúšť, klinec sa zavedie do materiálu po každom pritlačení stlačacej páčky na drevo.

Spôsob zavedenia jedného kľinca:

1. Pritlačte stlačiaciu páčku na drevo.
2. Stlačením spúšte zavedie klinec do materiálu.
3. Odstráňte prst zo spúšte a odoberte kľincovačku od dreva.

[Mechanizmus blokovania vystrelovania s prázdny zásobníkom]

Modely NT1865DBAL a NT1865DBSL sú vybavené ochranným mechanizmom pre prípad činnosti s prázdny zásobníkom.

Modely NT1865DBAL a NT1865DBSL prejdú do stavu, v ktorom sa stlačacia páčka nedá stlačiť. K tomu dochádza vtedy, keď zásobník nie je naplnený kľincami, alebo keď je zostávajúci počet kľincov menší ako 6 alebo 9.

UPOZORNENIE

Dávajte pozor, aby nedošlo k nárazu špičky stlačacej páčky do dreva, keď sa stlačacia páčka nedá stlačiť.

1. Postupy kľincovania

Táto kľincovačka je vybavená stlačacou páčkou a neuvedie sa do činnosti, pokiaľ sa stlačacia páčka nestlačí.

Existujú dva spôsoby činnosti pri zavádzaní kľincov do materiálu pomocou tejto kľincovačky.

Sú to nasledovné:

1. Prerušovaná činnosť (vystrelovanie pomocou spúšte);
2. Nepreržitá činnosť (vystrelovanie pomocou stlačacej páčky):

- (1) Prerušovaná činnosť (vystrelovanie pomocou spúšte)
Použite nastavenie MECHANIZMU ÚPLNÉHO SEKVENČNÉHO SPÚŠŤANIA. (Pozrite si **Obr. 17**)

VÝSTRAHA

- Na prerušovanú činnosť nastavte prepínač postupu kľincovania na MECHANIZMUS ÚPLNÉHO SEKVENČNÉHO SPÚŠŤANIA (indikátor postupu kľincovania bude svietiť modrou farbou.) (t. j. Nastavte MECHANIZMUS JEDNOTLIVÉHO SPÚŠŤANIA.)

- Aby nedošlo k dvojitému vystreleniu alebo náhodnému vystreleniu v dôsledku spätného odrazu, vykonajte nasledovné.

- 1) Nastavte MECHANIZMUS ÚPLNÉHO SEKVENČNÉHO SPÚŠŤANIA.

- 2) Stlačte spúšť rýchlo a pevne.

- ① Prepínač postupu kľincovania nastavte na MECHANIZMUS ÚPLNÉHO SEKVENČNÉHO SPÚŠŤANIA (indikátor postupu kľincovania bude svietiť modrou farbou.)

- (aby sa nastavil MECHANIZMUS ÚPLNÉHO SEKVENČNÉHO SPÚŠŤANIA.)

(Nastavte zariadenie na prepínanie úplne do režimu indikátora postupu kľincovania svietiaceho modrou farbou podľa znázornenia na **Obr. 17**. V opačnom prípade sa nastaví MECHANIZMUS KONTAKTNÉHO SPÚŠŤANIA.)

- ② Výstup kľincov umiestnite na obrobok s prstom mimo spúšte.

- ③ Pevne potlačte stlačiaciu páčku tak, aby sa úplne stlačila.

- ④ Stlačením spúšte zavedie klinec do materiálu.

- ⑤ Odoberte prst zo spúšte a úplne oddialte náradie od povrchu dreva.

Ak chcete pokračovať v kľincovaní na osobitnom mieste, posuňte kľincovačku pozdĺž dreva, pričom zopakujte kroky ② - ⑤ podľa potreby.

POZNÁMKA

Úkony ③ a ④ by sa mali vykonať s 2 sekundovým intervalom medzi týmito úkonmi. Ak uplynú viac ako 2 sekundy po ③, kľincovačka nebude fungovať správne. Ak sa to stane, skúste znova od ③.

- (2) Nepreržitá činnosť (vystrelovanie pomocou stlačacej páčky)

Použite MECHANIZMU KONTAKTNÉHO SPÚŠŤANIA (pozrite si **Obr. 18**)

VÝSTRAHA

Aby nedošlo k dvojitému vystreleniu alebo náhodnému vystreleniu v dôsledku spätného odrazu, vykonajte nasledovné.

- 1) Netlačte kľincovačku na drevo nadmernou silou.

- 2) Oddel'te kľincovačku od dreva, keďže po kľincovaní vykoná spätný odraz.

- ① Prepínač postupu kľincovania nastavte na MECHANIZMUS KONTAKTNÉHO SPÚŠŤANIA (indikátor postupu kľincovania bude blikať modrou farbou.)

(aby sa nastavil MECHANIZMUS KONTAKTNÉHO SPÚŠŤANIA.)

(Nastavte zariadenie na prepínanie úplne na blikanie indikátora postupu kľincovania modrou farbou podľa znázornenia na **Obr. 18**. V opačnom prípade nebude fungovať správne.)

- ② Stlačte spúšť s kľincovačkou oddialenou od obrobku.

- ③ Pritlačením stlačacej páčky na obrobok zavedie klinec do materiálu.

- ④ Posúvajte kľincovačku pozdĺž obrobku s pohybom odskakovania.

Po každom stlačení stlačacej páčky sa zavedie klinec do materiálu.

Po zavedení požadovanej počtu kľincov do materiálu odoberte prst zo spúšte.

POZNÁMKA

Úkony ② a ③ by sa mali vykonať s 2 sekundovým intervalom medzi týmito úkonmi. Ak uplynú viac ako 2 sekundy po ②, kľincovačka nebude fungovať správne. Ak sa to stane, skúste znova od ②.

VÝSTRAHA

- Nepríblížujte sa prstom k spúšti okrem používania postupu kľincovania, pretože by mohlo dôjsť k vážnemu zraneniu, keby sa stlačacia páčka náhodne dostala do kontaktu s vami alebo inými osobami na pracovisku.

- Nepribližujte sa rukami a telom k oblasti vystrel'ovania. Táto klincovačka HiKOKI môže odskočiť v dôsledku spätného odrazu pri zavádzaní klinca do materiálu, pričom môže dôjsť k nežiaducemu následnému vystreleniu klinca a možnému spôsobeniu zranenia.

POZNÁMKA

- Ak sa dodržia všetky výstrahy a pokyny, bezpečnú činnosť je možné zaistiť pomocou oboch systémov: MECHANIZMUS ÚPLNÉHO SEKVENČNÉHO SPŮŠŤANIA, MECHANIZMUS KONTAKTNÉHO SPŮŠŤANIA.
- S klincami a obalom vždy manipulujte opatrne. Ak dôjde k pádu klincov, môže sa narušiť zakladacie spojivo, čo spôsobí nesprávne podávanie a zasekávanie.
- Po klincovaní:

- 1) vyberte batériu z klincovačky;
- 2) vyberte všetky klince z klincovačky;

2. Nastavenie hĺbky klincovania

- Aby sa zaistilo, že každý klincen prenikne do rovnej hĺbky, zabezpečte, aby sa klincovačka vždy pevne držala oproti obrobku.

Ak sa klince zavádzajú príliš hlboko alebo plytko do obrobku, nastavte klincovanie nasledujúcim spôsobom.

- ① Vyberte batériu z klincovačky.
- ② Ak sa klince zavádzajú príliš hlboko, otočte nastavovací prvok na plytkú stranu. (Pozrite si **Obr. 19**)
Nastavenie sa vykonáva v prírastkoch po polovici otáčky. Ak sa klince zavádzajú príliš plytko, otočte nastavovací prvok na hlbokú stranu. (Pozrite si **Obr. 20**)
- ③ Nastavovací prvok prestaňte otáčať, keď sa pri skúšobnom klincovaní dosiahne vhodná poloha.
- ④ Pripojte batériu ku klincovačke.
VŽDY POUŽÍVAJTE OCHRANNÉ OKULIARE.
Vykonajte skúšobné klincovanie.
- ⑤ Vyberte batériu z klincovačky.
- ⑥ Vyberte vhodnú polohu nastavovacieho prvku.

3. Použitie háka (pozrite si **Obr. 21, 22, 23**)

VÝSTRAHA

Pri použití háka vypnite hlavný vypínač (zelený indikátor „nesvieti“). Venujte dostatočnú pozornosť tomu, aby hlavné zariadenie nespadlo.
Ak náradie spadne, hrozí riziko nehody.

Hák je možné nainštalovať na ľavú alebo pravú stranu. (okrem modelu NT1865DBAL)

- ① Vyberte batériu a všetky zvyšné klince zo zásobníka.
- ② Bezpečne držte hlavnú jednotku a pomocou skrutkovača odstráňte skrutku. (Pozrite si **Obr. 21**)
- ③ Odstráňte hák a hákovú doštičku. (Pozrite si **Obr. 22**)
- ④ Nasadte hák na druhú stranu a bezpečne ho upevnite pomocou skrutky. (Pozrite si **Obr. 23**)

POZNÁMKA

Hák sa dá použiť ako vešiak.

4. Použitie uzáveru prednej časti (pozrite si **Obr. 24, 25**)

VÝSTRAHA

Pri pripájaní alebo odpájaní uzáveru prednej časti nezabudnite odobrať prst zo spúšte a vybrať všetky zvyšné upevňovacie prvky a batériu z klincovačky.

Ak chcete chrániť povrch obrobku proti poškrábaniu alebo zanechaniu značiek spôsobených stláčacou páčkou, pripojte prídavný uzáver prednej časti k stláčacej páčke.

- ① Vyberte všetky zvyšné upevňovacie prvky a batériu z klincovačky.
- ② Nasadte uzáver prednej časti na špičku stláčacej páčky.
- ③ Uzáver prednej časti je označený na mieste výstupu klincov, čo uľahčuje zarovnanie.
- ④ Keď sa uzáver prednej časti nepoužíva, zaistite ho v odkladacom priestore nachádzajúcom sa na opačnej strane zásobníka.

POZNÁMKA

Uzáver prednej časti môže zmenšiť hĺbku klincovania kvôli svojej hrúbke. Vyžaduje sa opätovné nastavenie hĺbky klincovania.

5. Odstránenie zaseknutia

Ak sa klince zaseknú vo vystrel'ovacej hlave, odstráňte ju a nastavte klincovanie nasledujúcim spôsobom.

UPOZORNENIE

- ① Vyberte batériu z klincovačky.
- ② Vyberte batériu z klincovačky.
- ③ Vyberte všetky klince.
- ④ Uvoľnite poistnú páčku a otvorte vodiacu doštičku. (Pozrite si **Obr. 26**)
- ⑤ Odstráňte zaseknutý klincen pomocou plochého skrutkovača. (Pozrite si **Obr. 27**)

UPOZORNENIE

- Dbajte na to, aby NIKDY nedošlo k nárazu uňasacej čepele.

- NIKDY nemiehte náradím na seba ani na inú osobu, aby ste tak predišli riziku zranenia v dôsledku neúmyselného vystrelenia.

Dokonca aj vtedy, keď je batéria vybratá z klincovačky, stále vo vnútri zostáva energia stlačeného vzduchu.

- ⑤ Zatvorte vodiacu doštičku a západku.

POZNÁMKA

V prípade častého zasekávanie kontaktujte autorizované servisné stredisko spoločnosti HiKOKI.

ÚDRŽBA A KONTROLA

UPOZORNENIE

Pred údržbou a kontrolou nezabudnite vybrať všetky zvyšné upevňovacie prvky a batériu z klincovačky.

1. Kontrola zásobníka

- ① Vyberte batériu z klincovačky.
- ② Vycištite zásobník. Odstráňte prach a drevené triesky, ktoré sa mohli v zásobníku nahromadiť.

UPOZORNENIE

Potiahnutím prstom skontrolujte, či sa podávač klincov posúva hladko.

Ak sa neposúva hladko, klince sa môžu zavádzať v nesprávnom uhle a niekoho zraníť.

2. Kontrola montážnych skrutiek

Všetky montážne skrutky pravidelne kontrolujte a uistite sa, že sú riadne dotiahnuté. Ak je ktorákoľvek skrutka uvoľnená, okamžite ju dotiahnite. Nedodržanie tohto pokynu môže viesť k vážnemu nebezpečenstvu.

3. Údržba motora

Vinutie motora je jasným „srdcom“ elektrického nástroja. Vykonávajte dôkladnú kontrolu vinutia, či nie je poškodené a/alebo zvlhnuté od oleja alebo vody.

4. Kontrola svoriek (nástroj a batéria)

Skontrolujte, či sa na svorkách nenaberali kovové piliny a prach.
Príležitostne skontrolujte pred, počas a po prevádzke.

UPOZORNENIE

Odstráňte všetky kovové piliny alebo prach, ktoré sa mohli naberať na svorkách.

Nedodržanie tohto pokynu môže viesť k poruche.

5. Čistenie vonkajšku

Ak sa elektrické náradie znečistí, utrite ho mäkkou, suchou tkaninou alebo tkaninou navlhčenou v mydlovej vode. Nepoužívajte chlórové rozpúšťadlá, benzín ani riedidlá na farby, pretože rozpúšťajú plasty.

6. Skladovanie

Elektrické náradie skladujte na miestach s teplotou do 40°C a mimo dosahu detí.

POZNÁMKA

Skladovanie lítiovo-iónových batérií
Pred skladovaním lítiovo-iónových batérií sa presvedčite, že sú úplne nabité.

Dlhodobé skladovanie (3 mesiace alebo viac) batérií s nízkou úrovňou nabitia môže viesť k zhoršeniu výkonu, viditeľnému skráteniu času používania batérií alebo k stavu, že sa batérie rýchlo vybijú.

Viditeľne skrátený čas používania batérií však možno predĺžiť pomocou dvoch až piatich cyklov nabitia a používania batérií až do ich vybitia.

Ak sa čas používania batérie extrémne skráti napriek opakovanému nabíjaniu a používaniu, považujte batérie za úplne vybité a zakúpte nové batérie.

UPOZORNENIE

V rámci prevádzkovania alebo údržby elektrického náradia je nutné dodržiavať bezpečnostné nariadenia a normy platné v patričnej krajine.

Dôležité upozornenie ohľadne batérií pre elektrické akumulátorové náradie značky HiKOKI

Vždy používajte jednu nami navrhnutú originálnu batériu. Ak budete používať batérie, ktoré sú iné, ako batérie navrhnuté našou spoločnosťou, alebo ak dôjde k rozobratiu alebo úprave batérie (ako je rozobratie a výmena článkov alebo iných interných dielov), nemôžeme vám zaručiť bezpečnosť a výkon nášho akumulátorového náradia.

ZÁRUKA

Garantujeme, že elektrické náradie značky HiKOKI vyhovuje zákonným/národným nariadeniam. Táto záruka sa nevzťahuje na poruchy alebo poškodenia, ktoré sú spôsobené nesprávnym používaním, zlým zaobchádzaním alebo štandardným opotrebovaním a odrením. V prípade reklamácie doručte elektrické náradie v nerozobratom stave spolu so ZÁRUČNÝM LISTOM, ktorý nájdete na konci tohto návodu na obsluhu, do autorizovaného servisného strediska spoločnosti HiKOKI.

Informácie o hluku

Charakteristické hodnoty hluku podľa normy EN 60745:

Typická hladina akustického výkonu pri jednotlivých udalostiach podľa krivky A L_{WA} , 1s, d = 92 dB

Typická hladina akustického tlaku pri jednotlivých udalostiach podľa krivky A na pracovnom stanovišti

L_{pA} , 1s, d = 81 dB

Neurčitost KpA: 3 dB

Tieto hodnoty sú charakteristické hodnoty súvisiace s náradím a nepredstavujú rozvoj hluku v mieste použitia. Rozvoj hluku v mieste použitia bude závisieť napríklad od pracovného prostredia, obrobku, podpery obrobku a počtu úkonov pri klincovaní atď.

V závislosti od podmienok na pracovisku a tvaru obrobku môže byť potrebné vykonať jednotlivé opatrenia na tlmenie hluku, ako je umiestňovanie obrobkov na podložky, ktoré tlmia zvuk, zabránenie vibrácií obrobku pomocou upnutia alebo zakrytia atď.

Vo zvláštnych prípadoch je potrebné použiť prostriedky na ochranu sluchu.

Informácie o vibráciách

Typická charakteristická hodnota vibrácií podľa normy EN 60745: 2,6 m/s².

Odchýlka K: 1,5 m/s².

Táto hodnota je charakteristická hodnota súvisiaca s náradím a nepredstavuje vplyv na systém rúk a ramien pri používaní náradia. Vplyv na systém rúk a ramien pri použití náradia bude závisieť napríklad od sily uchopenia, sily kontaktného tlaku, pracovného smeru, nastavenia prívodu energie, obrobku, podpery obrobku.

Deklarovaná hodnota vibrácií bola nameraná v súlade so štandardnou skúšobnou metódou a môže sa použiť na porovnanie jedného náradia s druhým.

Môže sa taktiež použiť na predbežné posúdenie expozície.

VÝSTRAHA

- Hodnota emisie vibrácií počas skutočného používania elektrického náradia sa môže odlišovať od deklarovanej celkovej hodnoty, a to na základe spôsobu, akým sa náradie používa.
- Vyznačte bezpečnostné opatrenia s cieľom chrániť obsluhu, ktoré sa zakladajú na odhade expozície v rámci skutočných podmienok používania (berúc do úvahy všetky súčasti prevádzkového cyklu, ako sú doby vypnutia náradia a doby voľného behu náradia, ktoré sú doplnkom doby spustenia náradia).

POZNÁMKA

Vzhľadom na pokračujúci program výskumu a vývoja v spoločnosti HiKOKI si vyhradzuje právo zmien tu uvedených technických parametrov bez predchádzajúceho upozornenia.

Tabuľka údržby

ČINNOSŤ	PREČO	AKO
Vyčistite zásobník a mechanizmus podávača.	Zabráňte zaseknutiu.	Každý deň vyčistite prúdom vzduchu.
Uchovávajte správnu činnosť stláčacej páčky.	Zaistite bezpečnosť operátora a efektívnu činnosť klincovačky.	Každý deň vyčistite prúdom vzduchu.

RIEŠENIE PROBLÉMOV

Pokiaľ náradie nefunguje štandardným spôsobom, použite postupy uvedené v tabuľke nižšie. Pokiaľ nedokážete problém odstrániť, poraďte sa s predajcom alebo s autorizovaným servisným strediskom spoločnosti HIKOKI.

PROBLÉM	SPÔSOB KONTROLY	NÁPRAVA
Hlavný vypínač sa nezapne. Zapne sa raz, ale automaticky sa vypne.	Nedostatočné nabitie batérie.	Nabite batériu.
	Poškodená vnútorná elektronika.	Požiadajte spoločnosť HIKOKI o výmenu.
	Nie je stláčacia páčka a/alebo spúšť v stave zapnutia?	Stláčaciu páčku a spúšť uchovávajte v stave vypnutia.
	Neuplynulo 30 minút bez akejkoľvek činnosti? (Funkcia automatického vypnutia napájania)	Zariadenie sa zapne podržaním hlavného vypínača stlačením dlhšie ako 1 sekundu
Klincovačka sa neuvedie do činnosti (Hlavný vypínač je zapnutý).	Klincovačka nebola dostatočne pritlačená k obročku.	Pevne držte klincovačku a úplne ju pritlačte k obročku.
	Spúšť nebola dostatočne stlačená.	Pevne stlačte spúšť.
	Od zapnutia stláčacej páčky po zapnutie spúšte (alebo od zapnutia spúšte po zapnutie stláčacej páčky) uplynuli viac ako 2 sekundy.	Dbajte na to, aby bola doba od zapnutia stláčacej páčky po zapnutie spúšte (alebo od zapnutia spúšte po zapnutie stláčacej páčky) kratšia ako 2 sekundy.
	Aktivoval sa ochranný mechanizmus. (Nezostali žiadne klince, alebo zostalo príliš málo upevňovacích prvkov) (okrem modelu NT1850DBSL)	Založte klince do zásobníka.
	Poistná páčka spínača (funkcia uzamknutia spúšte) je v polohe zapnutia „ON“.	Nastavte poistnú páčku spínača do polohy vypnutia „OFF“. (Pozrite si to Obr. 8)
	Zariadenie má príliš nízku teplotu (pod -5°C) alebo príliš vysokú teplotu. (LED indikátor bliká v pravidelných intervaloch a hlavný vypínač sa vypne po 10 sekundách.) (Pozrite si stranu 322)	Nechajte klincovačku úplne vychladnúť alebo sa zohriať za primeraných podmienok.
	Poškodená vnútorná elektronika.	Požiadajte spoločnosť HIKOKI o výmenu.
Klincovačka funguje, ale do materiálu sa nezavedie žiadny kliniec.	Zásobník je znečistený.	Zásobník vyčistite prúdom vzduchu a poutierajte ho.
	Skontrolujte ohľadom zaseknutia.	Odstráňte zaseknutie (pozrite si Obr. 26, 27).
	Nie je unášacia čepeľ opotrebovaná alebo poškodená?	Požiadajte spoločnosť HIKOKI o výmenu.
	Nie je pásová pružina oslabená alebo poškodená?	Vymeňte pásovú pružinu.
	Nie je poškodený podávač klincov?	Vymeňte podávač klincov.
	Skontrolujte, či sú vložené správne klince.	Používajte len odporúčané klince.
Nedostatočné zavádzanie klincov do materiálu. Pomalé vykonávanie cyklu.	Skontrolujte polohu nastavovacieho prvku hĺbky klincovania.	Vykonajte opätovné nastavenie podľa Obr. 19, 20 .
	Nie je unášacia čepeľ opotrebovaná?	Požiadajte spoločnosť HIKOKI o výmenu.
	Došlo k poklesu tlaku stlačeného vzduchu.	Požiadajte spoločnosť HIKOKI o výmenu.
	Poškodená vnútorná elektronika.	Požiadajte spoločnosť HIKOKI o výmenu.
Klince sa zavádzajú príliš hlboko.	Skontrolujte polohu nastavovacieho prvku hĺbky klincovania.	Vykonajte opätovné nastavenie podľa Obr. 19, 20 .
Preskakovanie klincov. Prerušované podávanie.	Skontrolujte, či sú vložené správne klince.	Používajte len odporúčané klince.
	Nie je poškodený podávač klincov?	Vymeňte podávač klincov.
	Nie je pásová pružina oslabená alebo poškodená?	Vymeňte pásovú pružinu.
	Nie je unášacia čepeľ opotrebovaná alebo poškodená?	Požiadajte spoločnosť HIKOKI o výmenu.
Klince sa zasekávajú. Zavádzaný kliniec je ohnutý.	Skontrolujte, či sú vložené správne klince.	Používajte len odporúčané klince.
	Nie je unášacia čepeľ opotrebovaná alebo poškodená?	Požiadajte spoločnosť HIKOKI o výmenu.

ОБЩИ МЕРКИ ЗА БЕЗОПАСНОСТ ПРИ ИЗПОЛЗВАНЕ НА ЕЛЕКТРИЧЕСКИ ИНСТРУМЕНТИ

⚠ ПРЕДУПРЕЖДЕНИЕ

Прочетете всички инструкции и предупреждения за безопасност.

Неспазването на инструкциите и предупрежденията може да доведе до електрически удар, пожар и/или сериозни наранявания.

Запазете и съхранявайте инструкциите за последващи справки и приложение.

Терминът "електрически инструменти", използван в предупрежденията за безопасност, се отнася до електрозахранвани (с кабел) от мрежата, или захранвани на батерии (безжични) електрически инструменти.

1) Безопасност на работното място

- a) Поддържайте работното място подредено и добре осветено.

Разхвърляни или не добре осветени работни места са предпоставка за инциденти.

- b) Не използвайте електрически инструмент във взривоопасна среда, при наличие на запалими течности, газ или прах.

Електрическите инструменти произвеждат искри, които могат да доведат до възпламеняване.

- c) Не позволявайте достъп на странични лица и деца при работа с електрически инструменти. Невнимание по време на работа може да доведе до загуба на контрол върху процеса.

2) Електрическа безопасност

- a) Щепселите на електрическите инструменти трябва да отговарят на контактите.

Никога не правете канвито и да било промени по щепселите.

Не използвайте преходни щепсели със заземени електрически инструменти.

Щепсели, които не са модифицирани и съответстват на контактите намаляват риска от електрически удар.

- b) Избягвайте контакт с тялото при работа с електрически инструменти по заземени повърхности, като тръби, радиатори и хладилници.

Съществува повишен риск от електрически удар, ако тялото Ви стане част от заземителния контур.

- c) Не излагайте електрическите инструменти на влага или дъжд.

Попадането на влага в електрическите инструменти повишава риска от електрически удар.

- d) Не нарушавайте целостта на кабелите. Никога не изключвайте електрическите уреди, като издърпвате набела.

Пазете кабелите от източници на топлина, от смазочни материали, остри ръбове и подвижни компоненти.

Наранени или преплетени кабели повишават риска от електрически удар.

- e) Когато използвате електрически уред на открито, използвайте удължител, подходящ за външна употреба.

Използвайте кабел, подходящ за външни условия, който намалява риска от електрически удар.

- f) Ако е наложително използването на електрически инструмент във влажни условия, използвайте уреди с диференциална защита (RCD) срещу утечка. Използването на диференциална защита снижава риска от електрически удар.

3) Лична безопасност

- a) Бъдете бдителни, внимавайте в действията си и използвайте разумно електрическите инструменти.

Не използвайте електрически инструмент, когато сте изморени, или под влиянието на лекарствени средства, алкохол или опиати.

Всяко невнимание при работа с електрически инструменти може да доведе до сериозни наранявания.

- b) Използвайте лични предпазни средства. Винаги носете защитни очила или маска.

Защитните средства, като респираторна маска, специални обувки с устойчива на плъзгане подметка, каска, или антифони, според условията на работа, които ще намалят опасността от нараняване.

- c) Предотвратяване на случайно включване.

Уверете се, че бутонът за старт на уреда е в изключено положение, преди да свържете електрическия инструмент към източник на захранване и/или батерия, нанто и преди да го вземете или пренасяте.

Пренасянето на инструменти с пръст на старт бутона, или на превключателя на захранването, носи опасност от инциденти.

- d) Отстранете всички гаечни и други ключове, преди да включите уреда към захранването. Гаечен ключ или инструмент, забравен в ротационни компоненти на електрическия инструмент, може да доведе до нараняване.

- e) Не се пресягайте. През цялото време трябва да имате стабилна опора и да поддържате баланс на тялото.

Това осигурява по-добър контрол върху електрическите инструменти при неочаквани ситуации.

- f) Носете подходящо облекло. Не носете пренасяно широки дрехи или бижута. Пазете косата, дрехите и ръкавиците си от подвижни компоненти.

Широките дрехи, бижута и дълга коса могат да бъдат захванати от подвижните компоненти.

- g) Ако са осигурени устройства за присъединяване към прахоуловителни инсталации, уверете се, че са правилно присъединени.

Използването на прахоуловители и циклонни може да намали свързаните със замърсяването рискове.

4) Експлоатация и поддръжка на електрически инструменти

- a) Не насилвайте електрическите инструменти. Използвайте подходящ електрически инструмент за съответните цели.

Подходящият електрически инструмент осигурява безопасно и по-добре свършена работа при предвидените номинални параметри.

- b) Не използвайте електрическия инструмент, ако не може да бъде включен или изключен от съответния старт бутон или превключател.

Всеки електрически инструмент, който не може да се контролира от превключателя, е опасен и подлежи на ремонт.

- c) Изключете щепсела на инструмента от източника на захранване и/или от батерията, преди да извършвате настройки, при смяна на приставки или при съхранение.
Тези предпазни мерки намаляват риска от случайно и нежелано включване на електрически инструмент.
- d) Съхранявайте неизползваните електрически инструменти далеч от достъп на деца и не позволявайте на лица, непознати с начина на работа с инструментите, и с тези инструкции, да работят с тях.
Електрическите инструменти представляват опасност в ръцете на неопитни лица.
- e) Поддържайте електрическите инструменти. Проверявайте центровката и закрепването на подвижните части, проверявайте за повредени части, които могат да се отразят на работата на електрическите инструменти. Ако установите повреда, отстранете ги преди да използвате електрическите инструменти. Много злополуки се дължат на лоша поддръжка на електрическите инструменти.
- f) Поддържайте ренещите инструменти наточени и чисти.
Правилно поддържаните режещи инструменти, с наточени режещи елементи, се управляват и контролират по-лесно.
- g) Използвайте електрически инструменти, приставки и аксесоари, и т.н., съгласно тези инструкции, като вземете предвид работните условия и вида работи, които ще се извършват.
Използване на електрическите инструменти за работи, различни от тези, за които са предвидени, може да доведе до повишен риск и опасни ситуации.
- 5) Експлоатация и поддръжка на електрически инструменти захранвани от батерии
- a) Зарядяйте уредите само със зарядните устройства, посочени от производителя.
Устройствено устройство, подходящо за един тип батерии, може да създаде риск от пожар, при използване за друг тип батерии.
- b) Използвайте електрическите инструменти само с посочения за тях тип батерии.
Използването на друг тип батерии създава риск от нараняване и пожар.
- c) Когато не използвате батериите, те трябва да се съхраняват далеч от други метални предмети като кламери, монети, ключове, гвоздеи, винтове или други малки метални предмети, които могат да осъществят контакт между клемите им.
Контакт между клемите на батериите може да доведе до искри или пожар.
- d) При неподходящи условия на съхранение, батериите могат да изтенат; избягвайте контакт. Ако случайно влезете в контакт с електролитната течност, изплакнете обилно с вода. Ако попадне електролит в очите, изплакнете обилно и потърсете медицинска помощ.
Електролитът на батериите може да причини възпаление или изгаряния.
- 6) Обслужване
- a) Обслужването на електрическите инструменти трябва да се извършва само от квалифицирани сервизни работници, при използване на оригинални резервни части.
Това ще гарантира безопасността при работа с електрическите инструменти.

ВНИМАНИЕ

Не допускайте в зоната на работа деца и възрастни хора.

Когато не използвате електрическите инструменти, съхранявайте ги далеч от достъп на деца и възрастни хора.

ПРЕДУПРЕЖДЕНИЯ ЗА БЕЗОПАСНОСТ ПРИ УПОТРЕБАТА НА БЕЗЖИЧЕН ДОВЪРШИТЕЛЕН ИНСТРУМЕНТ ЗА ЗАБИВАНЕ НА ПИРОНИ/БЕЗЖИЧЕН ИНСТРУМЕНТ ЗА ЗАБИВАНЕ НА ЩИФТОВЕ

- 1. Винаги имайте предвид, че в инструмента може да има пирони.**
Ако не използвате внимание при работата с инструмента, това може да доведе до неочаквано изстрелване на пироните и до нараняване.
- 2. Не насочвайте инструмента към себе си или околните.**
Ако инструментът се задейства непредвидено, пиронът ще се освободи и ще причини нараняване.
- 3. Не задействайте инструмента, ако той не е поставен стабилен върху детайла.**
Ако инструментът не е в контакт с детайла, пиронът може да се отклони от целта.
- 4. Ако в инструмента заседне пирон, изключете инструмента от източника на захранване.**
Ако е включен в захранването, инструментът може да се самодейства, докато отстранявате заседнал пирон.
- 5. Бъдете внимателни при отстраняване на задръстване с пирон.**
Докато се опитвате да освободите заседнал пирон, механизъмът може да бъде подложен на натиск, и поради това пиронът да се изстреля.
- 6. Не използвайте този инструмент за закрепване на електрически набели.**
Той не е предназначен за монтаж на електрически кабели и може да повреди изолацията им, създавайки опасност от токов удар или пожар.

ДОПЪЛНИТЕЛНИ МЕРКИ ЗА БЕЗОПАСНОСТ

- 1. Безопасна работа при правилна употреба.**
Този инструмент е предназначен за забиване на пирони в дърво и подобни материали. Използвайте го само по предназначение.
- 2. Не допускане запалване и експлозии.**
При забиването на пироните може да излязат искри и затова е опасно инструментът да се използва в близост до лак, боя, бензен, разреждител, бензин, газ, лепила и подобни запалими вещества, тъй като те могат да се възпламенят или да експлодират. При никакви обстоятелства този инструмент не трябва да се използва в близост до такъв запалим материал.
- 3. Винаги носете предпазни очила.**



Когато работите с електроинструмента, винаги носете предпазни очила и се уверете, че околните хора също носят такива.

Има сериозен риск за зрението, ако фрагменти от пироните, които не са забити правилно, попаднат в очите. Предпазни очила се продават във всички железарии. Винаги носете предпазни очила по време на работа с този

инструмент. Използвайте предпазни очила или широка маска над диоптричните очила.

Работодателите трябва задължително да налагат използването на предпазни средства за очите винаги.

4. Защитете ушите и главата си.

По време на работа носете шумозаглушители и каска. Също така, в зависимост от условията, околните хора също трябва да носят шумозаглушители и каски.

5. Съобразявайте се с работещите близо до вас.

Има голяма опасност от сериозен инцидент, ако пиронът не се закове правилно, отхвъркне и удари някого. Затова винаги внимавайте за безопасността на хората около вас, когато използвате този инструмент. Задължително подсигурете да няма никой в близост до изхода за пироните.

6. Никога не насочвайте изхода за пироните към хора.



Винаги имайте предвид, че в инструмента може да има пирони. Ако изходът за пироните е насочен към хора, могат да възникнат сериозни инциденти, ако случайно задействате инструмента. Когато поставяте или сваляте батерията, при зареждането на пирони или при подобни действия, се уверете, че изходът за пироните не е насочен към никого (включително към вас самия). Дори когато не са заредени никакви пирони, е опасно да задействате инструмента, докато е насочен към някого, затова никога не го правете. Не си правете шегги. Уважавайте инструмента като работен инструмент.

7. Преди употреба проверете лоста за натискане.

Уверете се, че лостът за натискане работи нормално. (Лостът за натискане може да има име „Безопасност“.) Никога не използвайте инструмента, ако лостът за натискане не работи нормално, защото в противен случай инструментът може да изстреля пирон неочаквано. Не манипулирайте и не изваждайте лоста за натискане, в противен случай той става неизползваем.

8. Изборът на задействащ метод е важен.

Прочетете и разберете раздела, озаглавен „КАК СЕ ИЗПОЛЗВА ИНСТРУМЕНТЪТ ЗА ЗАБИВАНЕ НА ПИРОНИ“ на страница 341.

9. Преди да използвате този продукт, уверете се, че той работи правилно в съответствие със съдържанието на „Тестване на инструмента“ на страница 339.

10. Използвайте само посочените пирони.

Никога не използвайте пирони, различни от посочените в тези инструкции.

11. Бъдете внимателни, когато поставяте батерията.

Когато свързвате батерията и зареждате пироните, вземете следните мерки срещу инцидентно задействане на инструмента.

- Не докосвайте спусъка.
 - Не допускате изстрелващата глава да контактува с нокъто и да е повърхност.
 - Дръжте изстрелващата глава надолу.
- Спазвайте строго горните указания и винаги се уверявайте, че никоя част от тялото, ръцете или краката не се намира пред изхода за пироните.

12. Не поставяйте излишно пръст на спусъка.

Не поставяйте пръста си върху спусъка, ако няма да забивате пирони. Ако носите този инструмент или го подадете на някого, докато държите пръста си на спусъка, може случайно да го задействате и да причините злополука.

13. Натиснете здраво изхода за пирони към работната повърхност.

Когато забивате пирони, натиснете здраво изхода за пирони към работната повърхност. Ако изходът не е разположен правилно, пироните може да отскочат.

14. Пазете ръцете и краката си от изстрелващата глава по време на работа.



Много е опасно пироните да се забият в ръцете или краката по грешка.

15. Пазете се от отката на инструмента.

Не доближавайте главата си до горната част на инструмента по време на работа. Това е опасно, защото инструментът може да рикошира рязко, ако забиваният пирон удари предишен пирон или чвор в дървото.

16. Внимавайте за двойно изстрелване поради откат.

Ако лостът неволно е освободен да се свърже отново с детайла след отката, ще се задейства нежелан пирон.

За да се избегне този нежелан двоен изстрел,

Режим за работа на периоди (задействане на спусъка)

1) Настройте превключващото устройство на МЕХАНИЗЪМ ЗА ПЪЛНА ПОСЛЕДОВАТЕЛНА АКТУАЦИЯ.

2) Дръпнете спусъка бързо и здраво.

Режим за непрекъсната работа (изстрелване с лост)

1) Не натискайте прекалено силно инструмента срещу дървото.

2) Отделете пирона от дървото, когато той се отдръпва след забиването.

17. Бъдете внимателни, когато работите по тънки плоскости или по ъглите на дървото.

При тънките плоскости пироните могат да излязат от другата страна, както може да се случи и при заковане на ъглите поради отклонение на пироните. В такива случаи задължително се погрижете да няма никой (и ничии ръце или крака и т.н.) зад тънката плоскост или до дървените детайли, по които работите.

18. Едновременното заковане на пирони от двете страни на една и съща стена е опасно.

При никакви обстоятелства не трябва да се коват пирони от двете страни на стената едновременно. Това би било много опасно, тъй като пироните могат да преминат през стената и да причинят наранявания.

19. Не използвайте електрическия инструмент върху скелета и стълби.

Електрическият инструмент не трябва да се използва в специфични ситуации, например:

- когато смянат на едно работно място с друго изскива използването на скелета, стълби или подобни конструкции, напр. покривни ламели,
- затваряне на кутии или каси,
- монтиране на транспортни системи за безопасност, напр. на превозни средства и вагони

20. Отстранете всички останали пирони и батерията от инструмента, когато:

- 1) извършвате поддръжка и проверка;
- 2) проверявате правилното функциониране на лоста и спусъка;
- 3) прикрепяте или премахвате капачката на крайника;
- 4) освобождавате заседнал пирон;
- 5) не използвате инструмента;
- 6) напускате работното място;

- 7) премествете инструмента на друго място; и
8) давате инструмента на друго лице.
Никога не се опитвайте да освободите заседнал пирон или да поправите инструмента, без да сте извадили от него батерията и всички останали пирони.
Никога не оставяйте инструмента без надзор, тъй като може да попадне в ръцете на случайни хора и те да пострадат.
21. **Изваждайте батерията от инструмента за забиване на пирони, когато:**
1) зареждате пирони;
2) въртите регулатора.
22. **Прекъсвайте връзката с батерията.**
Прекъсвайте връзката с батерията при закрепване и сваляне на капачката на накрайника.
Проверявайте дали сте прекъснали връзката с батерията при прикрепване и при сваляне на накрайника на аксесоара към върха на лоста. Много е опасно пирон да бъде изстрелян по грешка.
23. **Работната температура за това устройство е между 0°C и 40°C – да се използва в рамките на този температурен диапазон. Устройството може да не работи при температура под 0°C или над 40°C.**
24. **Винаги зареждайте батерията при температура 0–40°C.**
Температура под 0°C ще причини презареждане, което е опасно. Батерията не може да бъде зареждана при температури над 40°C.
Най-подходящата температура за зареждане е 20–25°C.
25. **Не използвайте зарядно устройство непрекъснато.**
Когато едно зареждане приключи, оставете зарядното устройство за около 15 минути преди следващото зареждане на батерия.
26. **Не допускате проникването на чужди тела в отвора на връзката за батериите.**
27. **Никога не разглобявайте акумулаторните батерии или зарядното устройство.**
28. **Никога не давайте на късо акумулаторните батерии.**
Късо съединение може да причини пренапрежение и прегряване. Това може да доведе до повреда или изгаряне на батерията.
29. **Отработените батерии не трябва да се изгарят.**
Това може да доведе до експлозия.
30. **Използването на изтощена батерия ще повреди зарядното устройство.**
31. **Върнете батериите в магазина, от който са били закупени, веднага след като цинъла на живот на презаредените батерии стане прекалено къс за да се използват.**
Отработените батерии не трябва да се изхвърлят.
32. **Не поставяйте предмети върху отворите за охлаждане на зарядното устройство.**
Вкарването на метални или запалими предмети във вентилационните слотове е доведе до опасност от електрически удар или ще повредят зарядното устройство.
33. **НИКОГА не допускате магнити (или подобни магнитни устройства) в непосредствена близост до инструмента, защото той съдържа магнитен датчик.**
Това ще доведе до повреда или риск от нараняване поради неизправност.
34. **След продължителна работа, уредът следва да бъде оставян в покой за известно време.**

35. **Електрическият уред е оборудван с верига за температурна защита, да да предпази двигателя. Продължителната работа може да повиши температурата на уреда, което активира веригата за температурна защита и автоматично прекъсва работата. Ако това се случи, оставете електрическият уред да се охлади, преди да възобновите употребата.**
36. **Този продукт може да престане да работи, когато възникне аномалия. В такива случаи проверете точните в раздела „ОТСТРАНЯВАНЕ НА НЕИЗПРАВНОСТИ“ на страница 344.**
37. **Не подлагайте контролния панел на силни удари и не го чупете. Това би създадо проблеми.**
38. **Не използвайте продукта, ако уредът или клемите на батерията (за монтаж на батерията) са деформирани.**
Поставянето на батерията може да причини късо съединение, което може да доведе до поява на дим или запалване.
39. **Поддържайте клемите на инструмента (за монтаж на батерията) чисти от пръст и прах.**
- Преди работа се уверете, че в зоната на клемите няма натрупани прах и стружки.
 - По време на работа се опитвайте да избегнете попадането на стружки или прах върху батерията.
 - При прекратяване на работа или след употреба не оставяйте инструмента на място, където може да бъде изложен на прах и стружки.
- Неспазването на това може да причини късо съединение, което може да доведе до поява на дим или запалване.

ГРИЖА ЗА ЛИТИЕВО-ЙОННАТА БАТЕРИЯ

За да удължите живота на литиево-йонната батерия, тя има защитна функция за прекъсване на подаването на заряд.

В случаите 1 до 3, описани по-долу, когато използвате това изделие, дори при натискане на спусъка, моторът може да спре. Това не е в следствие на повреда, а на защитна функция.

1. Когато разрядът на батерията намалее значително, моторът спира.
В такъв случай, заредете батерията незабавно.
2. Ако инструментът е бил претоварен, моторът може да спре. В този случай, освободете спусъка и отстранете причината за претоварване. След това може да използвате уреда отново.
3. Ако батерията е прегряла при претоварване, тя може да откаже да работи.
В този случай, спрете използването ѝ, и я оставете да се охлади. След това може да използвате уреда отново.

Освен това, моля, спазвайте следните предупреждения.

- ПРЕДУПРЕЖДЕНИЕ**
- За да предотвратите разреждане на батерията, загряване, поява на дим, запалване и експлозия, уверете се, че спазвате указанията за безопасност.
1. Уверете се, че по батерията не се натрупват прах и стружки.
 - Уверете се, че по батерията не се натрупват прах и стружки по време на работа.
 - Уверете се, че прах и стружки не се натрупват върху батерията по време на работа.
 - Не съхранявайте неизползваните батерии в места, където са изложени на въздействието на прах и стружки.
 - При съхранение на батерия, отстранете евентуално натрупани стружки и прах, като не трябва да се съхранява заедно с метални предмети (болтове, гвоздеи и др.).

2. Пазете батерията от пробиване с остри предмети като гвоздеи, от удар с чук, настъпване, или от силен физически удар.
3. Не използвайте видимо повредена или деформирана батерия.
4. Не използвайте батерията с обратен поляритет.
5. Не свързвайте батерията директно към електрически източници, или към куплунга на запалката в лека кола.
6. Не използвайте батерията за цели, различни от предназначението ѝ.
7. Ако батерията не може да се зареди напълно, дори след като изтече препоръчвания период от време, незабавно прекратете последващи опити за зареждане.
8. Не излагайте батерията на високи температури или налягане, не поставяйте в микровълнова фурна, сушилни или контейнери под високо налягане.
9. При установяване на теч или неприятна миризма от батерията, не излагайте на въздействието на силна топлина или открити пламъци.
10. Не използвайте батерията в мета, където се генерира силно статично електричество.
11. Ако батерията тече, има неприятна миризма, загрява или се обезцвети и деформира, или ако се появят необичайни признаци при употреба, презареждане и съхранение, незабавно я отстранете от оборудването или зарядното и не я използвайте.
12. Не потапяйте батерията и не позволявайте навлизането на течности в нея. Проникването на проводими течности като например вода, може да доведе до повреди и да причини пожар или експлозия. Съхранявайте батерията на хладно и сухо място, далеч от горими и леснозапалими материали. Избягвайте атмосфери с корозивни газове.

ВНИМАНИЕ

1. Ако електролит от батерията попадне в очите, не ги търкайте, а изплакнете обилно с чиста, напр. чешмяна, вода и потърсете незабавно лекарска помощ.
Ако не се вземат мерки, електролитът може да причини очни проблеми.
2. Ако електролит от батерията попадне върху кожата или дрехите, незабавно измийте с чиста, напр. чешмяна, вода.
Възможно е електролитът да причини кожно възпаление.
3. Ако при първото използване на батерията забележите ръжда, неприятен мирис, прегряване, обезцветяване, деформиране и/или други нередности, не я използвайте и я върнете на доставчика или търговеца, от който сте я закупили.

ПРЕДУПРЕЖДЕНИЕ

Ако чуждо тяло, което е проводник, попадне върху клемите на литиево-йонната батерия, тя може да даде на късо и да причини пожар. Когато съхранявате литиево-йонната батерия спазвайте следните правила за безопасност.

- В кутията за съхраняване не поставяйте проводящи предмети като гвоздеи, парчета проводници и медна тел.
- За да предотвратите късо съединение, след вкарване на батерията в електрическия инструмент поставяйте капак и така, че вентилаторът да не се вижда.

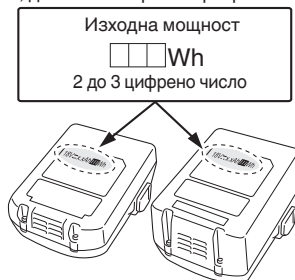
ОТНОСНО ТРАНСПОРТА НА ЛИТИЕВО-ЙОННА БАТЕРИЯ

При транспортиране на литиево-йонна батерия, моля спазвайте следните предпазни мерки.

ПРЕДУПРЕЖДЕНИЕ

Уведомете транспортната компания, че пратката съдържа литиево-йонна батерия, информирайте компанията за нейната изходна мощност и спазвайте инструкциите на транспортната компания, когато уреждате транспорта.

- Литиево-йонните батерии, които надвишават изходна мощност от 100 Wh, се считат за транспортна категория Опасни стоки и изискват прилагането на специални процедури.
- За транспортиране в чужбина трябва да спазите международните закони и правила и разпоредби на страната, до която се транспортират.



ИМЕ НА ЧАСТИТЕ (Фиг. 1 – Фиг. 28)

①	Горен капак
②	Спусък
③	Светодиодна лампа
④	Изстрелваща глава (изход)
⑤	Лост за натискане
⑥	Подаващ механизъм за пирони (A)
⑦	Подаващ механизъм за пирони (B)
⑧	Отделение за пирони
⑨	Кука
⑩	Батерия
⑪	Заклучване на лоста
⑫	Ръкохватка
⑬	Лост за застопоряване
⑭	Превключвател на индикатора за зареждане
⑮	Индикатор на батерията
⑯	Превключвател за работа с пирони
⑰	Индикатор на захранване
⑱	Превключвател
⑲	Индикатор за работа с пирони
⑳	Патрон с пирони
㉑	Капак на отделението за патрони

22	Канал
23	Водач на острието
24	Механизъм за настройване
25	Пластина за закачване
26	Капачка за крайник
27	Лост за застопоряване
28	Водеща пластина

СИМВОЛИ

ПРЕДУПРЕЖДЕНИЕ

Използвани са следните символи. Уверете се, че разбирате значението им, преди използване на уреда.

	<p>NT 1865DBAL: Безжичен довършителен инструмент за забиване на пирони</p> <p>NT 1865DBSL: Безжичен довършителен инструмент за забиване на пирони</p> <p>NT 1850DBSL: Безжичен инструмент за забиване на цифтове</p>
	За да намали риска от наранявания, потребителят трябва да прочете ръководството за работа.
	Само за страни от ЕС Не изхвърляйте електрически уреди заедно с битовите отпадъци! Във връзка с разпоредбите на Европейска Директива 2012/19/ЕС за електрическите и електронни уреди и нейното приложение съгласно националните законодателства, електрически уреди, които излизат от употреба трябва да се събират отделно и предават в специализирани пунктове за рециклиране.
	Постоянен ток
	Включване
	Изключване
	Изключете батерията
	Превключвател
	Превключвател за ИЗКЛ.
	Превключвател за ВКЛ. Индикатор на захранване: Зелена светлина
	Превключвател за работа с пирони
	МЕХАНИЗЪМ ЗА ПЪЛНА ПОСЛЕДОВАТЕЛНА АКТУАЦИЯ

	Режим МЕХАНИЗЪМ ЗА ПЪЛНА ПОСЛЕДОВАТЕЛНА АКТУАЦИЯ Индикатор за работа с пирони: Синя светлина
	МЕХАНИЗЪМ ЗА КОНТАКТНА АКТУАЦИЯ
	Режим на МЕХАНИЗЪМ ЗА КОНТАКТНА АКТУАЦИЯ Индикатор за работа с пирони: Примигва синя светлина
	Спусъкът е заключен
	Спусъкът е отключен
	Превключвател на индикатора за зареждане
	Батерията има достатъчен заряд. Индикатор на батерията: Светят 2 светодиода (в червено)
	Батерията е наполовина разредена. Индикатор за батерията: свети 1 светодиод (в червено)
	Батерията е почти изцяло разредена. Заредете батерията при първа възможност. Индикатор на батерията: примигва 1 светодиод (в червено)
	Свържете се с NiKOKI за проверка. Индикатор на батерията: 2 светодиода мигат в оранжево, след 10 секунди автоматично се изключва захранването.
	Плитка страна
	Дълбока страна
	Предупреждение
	Забранено действие

СПЕЦИФИКАЦИИ

1. Безжичен довършителен инструмент за забиване на пирони

Модел	NT1865DBAL		NT1865DBSL		
Двигател	DC Brushless		DC Brushless		
Подходящи пирони	15 Ga (Ъгъл: 34°)		16 Ga		
Допустима дължина на пироните	32 мм до 65 мм		25 мм до 65 мм		
Товароподемност на пирон [пирони]	100 (1 патрон)		100 (2 патрона)		
Режим на изстрелване	Пълно последователно/Контакт (избираемо)		Пълно последователно/Контакт (избираемо)		
Скорост на цикъла	[пирони/секунда]	3 (периодично)		3 (периодично)	
Батерия	Модел	BSL1830C	BSL1830C	BSL1850	
	Тип	Литиево-йонна батерия			
	Напрежение	DC 18 V			
Тегло*	3,5 – 4,1 кг		3,4 – 4,0 кг		
Размер Височина × Дължина × Ширина	344 мм × 300 мм × 104 мм		315 мм × 298 мм × 104 мм	315 мм × 310 мм × 104 мм	

* Съгласно ЕРТА-процедура 01/2014
В зависимост от прикачената батерия. Най-голямото тегло се измерва с BSL36B18 (продава се отделно).

2. Безжичен инструмент за забиване на щифтове

Модел	NT1850DBSL		
Двигател	DC Brushless		
Подходящи пирони	18 Ga		
Допустима дължина на пироните	16 мм до 50 мм		
Товароподемност на пирон [пирони]	100 (1 патрон)		
Режим на изстрелване	Пълно последователно/Контакт (избираемо)		
Скорост на цикъла	[пирони/секунда]	3 (периодично)	
Батерия	Модел	BSL1830C	BSL1850
	Тип	Литиево-йонна батерия	
	Напрежение	DC 18 V	
Тегло*	3,3 – 4,0 кг		
Размер Височина × Дължина × Ширина	323 мм × 298 мм × 104 мм	323 мм × 310 мм × 104 мм	

* Съгласно ЕРТА-процедура 01/2014
В зависимост от прикачената батерия. Най-голямото тегло се измерва с BSL36B18 (продава се отделно).

3. Зарядно устройство

Модел	UC18YFSL	UC18YML2
Напрежение при зареждане	DC 14,4 – 18 V	
Тегло	0,5 кг	0,7 кг

ЗАБЕЛЕЖКА

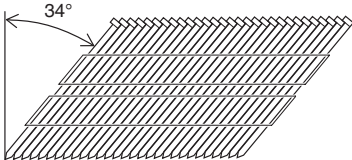
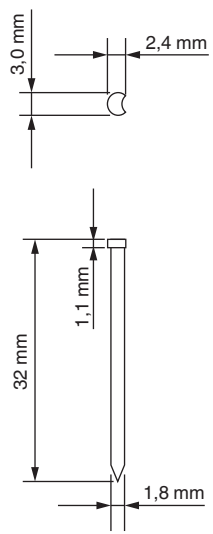

Поради непрекъснатото развитие на научно-развойната програма на HiKOKI, дадените тук спецификации са предмет на промяна без уведомяване.

ИЗБОР НА ПИРОНИ

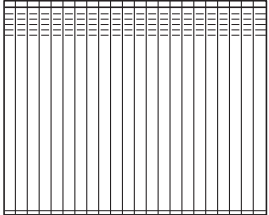
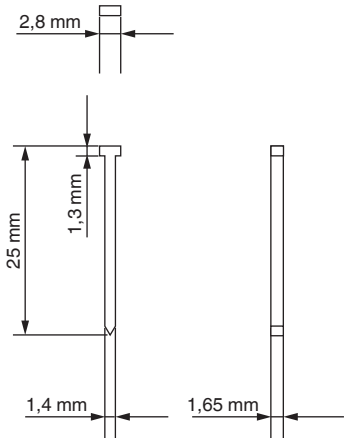

Само пироните, показани в таблицата по-долу, могат да бъдат използвани с този пистолет.

Размери на пироните

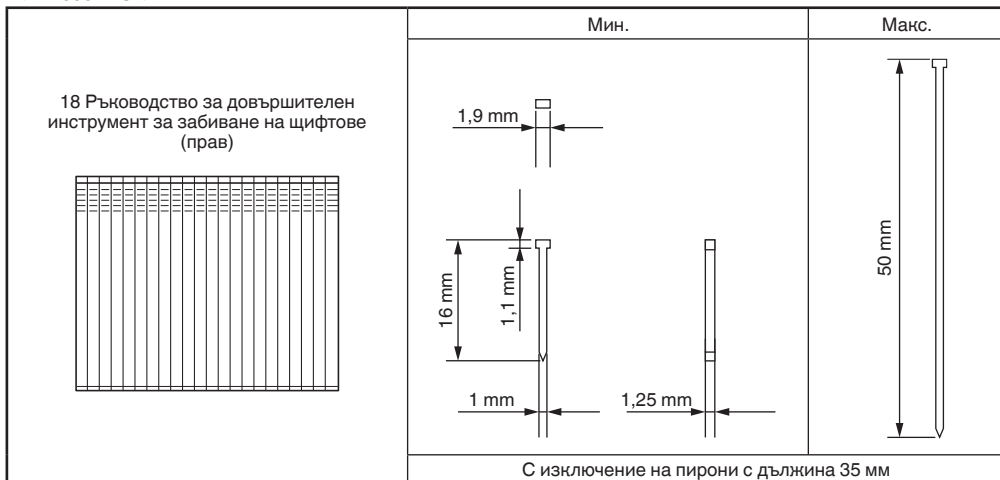
<NT1865DBAL>

	Мин.	Макс.
<p>15 Ръководство за довършителен инструмент за забиване на пирони (Ъгъл: 34°)</p> 		

<NT1865DBSL>

	Мин.	Макс.
<p>16 Ръководство за довършителен инструмент за забиване на пирони (прав)</p> 		

<NT1850DBSL>



СТАНДАРТНИ АКСЕСОАРИ

В допълнение към основния комплект (1 комплект) са предоставени и аксесоарите и приставките, изброени на стр. 378.

Стандартните приставки и аксесоари са предмет на промяна без предупреждение.

ПРИЛОЖЕНИЯ

<NT1865DBAL, NT1865DBSL>

- Завършване на зони около вратите, прозорците и кантовете с пирони.
- Закрепване на дъното на чекмеджетата.
- Изработване на различни кутии и шкафове.

<NT1850DBSL>

- Сглобяване на шкафове и рамки за картини, тапицерия за мебели.
- Вътрешно и подвижно вътрешно обзавеждане и изработване.

ЗАРЕЖДАНЕ

Преди да използвате електрическият инструмент, заредете батерията както следва.

1. Свържете към източник на захранване. (Фиг. 3)
 Когато зареждате батерията от източник на променлив ток

- Свържете кабела на зарядното към източника. Когато свързвате кабела на зарядното, индикаторната лампа ще мига в червено (на интервали от 1 сек.).

ВНИМАНИЕ

Не използвайте електрическият кабел, ако е повреден. Незабавно го подменете.

Когато зареждате батерията от източник на прав ток DC 12V от източник в лека кола (UC18YML2)

- Укрепете зарядното устройство в колата. Използвайте ремъкът, предоставен със зарядното устройство, за да го укрепите на място и да предотвратите падането му. (Виж **Фиг. 28**)

ВНИМАНИЕ

Не поставяйте зарядното или батерията под седалката на шофьора. Укрепете зарядното устройство, за да не може да се мети или падне, тъй като това може да доведе до инцидент.



Фиг. 28

- Вкарайте накрайника на щепсела на запалката в гнездото. Ако щепселът не прави добър контакт и излиза, ремонтирайте гнездото. Ако гнездото е повредено, свържете се с търговския представител, от когото сте закупили колата. Ако продължите да използвате повреденото гнездо, това може да доведе до прегряване и повреда.
- 2. Поставете батерията в зарядното устройство.** Вкарайте батерията плътно в зарядното устройство, докато се види линията, както е показано на **Фиг. 3**. Линиите не се показват на UC18YFSL. Уверете се, че батерията е поставена на мястото си здраво.
- 3. Зареждане**
 Когато поставите батерията в зарядното устройство, зареждането ще започне, а индикаторната лампа ще свети постоянни в червено. Когато батерията се зареди напълно, индикаторната лампа ще мига в червено. (На интервали от 1-секунда) (Виж **Таблица 1**)
- (1) Пилотна индикаторна лампа
 Сигналите на индикаторната лампа ще бъдат тези, показани в **Таблица 1**, според състоянието на зарядното устройство или батерията.

ЗАБЕЛЕЖКА

Времето за зареждане може да варира според околната температура и източника на напрежение.

<UC18YML2>

Особено при използване на автомобилен източник на захранване DC 12 V, времето за зареждане може да бъде по-продължително при високи температури.

ВНИМАНИЕ

Когато зарядното устройство се използва непрекъснато, може да загрее и да стане причина за отказ или повреда. След като завърши зареждането, оставете в покой зарядното устройство за 15 минути.

4. Изключете го от мрежовото захранване или от автомобилният източник на захранване.

5. Дръжте зарядното устройство здраво и издърпайте батерията.

ЗАБЕЛЕЖКА

Уверете се, че няма опасност да го изтървете след като издърпате батерията.

- Проверете напрежението на автомобилния източник на захранване, когато индикаторната лампа мига в зелено (на интервали от по 1 секунда). (UC18YML2) Ако напрежението е 12 V или по-ниско, това показва, че акумулатора на колата е слаб и не може да се зареди.
- Ако индикаторната лампа не мига в червено (на една секунда), дори след свързване към мрежата или гнездото на запалката в колата, това показва, че защитния контур на зарядното е активиран. Отстранете кабела или щепсела от захранването и след това свържете отново, след около 30 секунди. Ако и след това индикаторната лампа не мига в червено (на една секунда), моля занесете зарядното устройство в оторизиран сервизен център на HiKOKI.

ПРЕДИ УПОТРЕБА

Действие	Фигура	Страница
Отстраняване и поставяне на батерия	2	379
Зареждане	3	380
Избор на аксесоари	—	385

1. Как да работите с панела за управление

(1) Включете захранването (вижте Фиг. 4)

При условие „Изключване на захранването“, натиснете и задръжте бутона за захранване повече от 1 секунда, след това индикаторът за захранване светва в зелено.

ЗАБЕЛЕЖКА

Не натискайте лоста и/или не натискайте спусъка по време на процеса на включване на захранването.

Това ще предотврати включването на захранването.

[Функция за автоматично изключване]

Когато захранването е включено, но инструментът не се използва за 30 минути, той автоматично се изключва. За да го включите отново, натиснете бутона за захранването.

ПРЕДУПРЕЖДЕНИЕ

Никога не оставяйте инструмента включен. Това може да доведе до злополука.

(2) Изключване на захранването (вижте Фиг. 4)

При условие „Включване на захранването“, натиснете и задръжте бутона за захранване повече от 1 секунда, след това индикаторът за захранване ще изгасне.

При условие за „Включване на захранването“, функциите по-долу са активни.

(3) Изберете режим за работа с пирони

(Пълно последователно задействане/задействане при контакт)

След включване на захранването, винаги първоначално стартирайте в режим на пълно последователно задействане. (Индикаторната лампа за работа с пирони свети в синьо.) (Вижте Фиг. 5)

За да промените режима на работа с пирони, натиснете веднъж превключвателя за работа с пирони. При всяко натисване, режимът ще се променя между „Пълно последователно“ и „Контакт“. (Вижте Фиг. 6)

Светлинен индикатор (синьо):

МЕХАНИЗЪМ ЗА ПЪЛНА ПОСЛЕДОВАТЕЛНА АКТУАЦИЯ

Примигване (в синьо):

МЕХАНИЗЪМ ЗА КОНТАКТНА АКТУАЦИЯ

Относно електрическите разряди при нови батерии и т.н.

Тъй като вътрешният химически състав на новите батерии или батерии, които не са били ползвани дълго време, не е активиран, електрическият разряд може да е нисък при първа и втора употреба. Това е временно явление и нормалното време за зареждане ще бъде възстановено, като презаредите батериите 2-3 пъти.

Как да удължите работата на батериите.

(1) Презареждайте батериите, преди да се изтощат напълно.

Когато усетите, че мощността на уреда намалява, спрете употреба и заредете батерията. Ако продължите работа с уреда и изхабите електрически ток, батерията може да се повреди и животът ѝ ще бъде по-кратък.

(2) Избягвайте презареждане при високи температури.

Зареждаемата батерия ще бъде гореща веднага след употреба. Ако в това състояние батерията се презареди веднага след употреба, вътрешният ѝ химически състав ще се влоши и животът на батерията ще се скъси. Оставете батерията и я заредете, след като е изстинала за известно време.




ВНИМАНИЕ

- Ако батерията се зарежда в загрято състояние, поради дълго излагане на пряка слънчева светлина, или поради непосредствено използване, сигналната лампа на зарядното ще светне за 1 секунда и ще изгасне за 0,5 секунди (изкл. за 0,5 сек.) (UC18YFSL) или ще светне в зелено. (UC18YML2). В такъв случай, първо оставете батерията да се охлади и след това започнете зареждане.

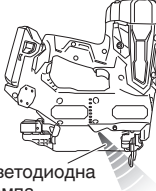
- Когато индикаторната лампа мига в червено (на интервали от 0,2 сек.), проверете за чужди тела в зарядното устройство и конектора. Ако няма чужди тела, вероятно батерията или зарядното устройство са повредени. Занесете ги в оторизиран сервизен център.

- Тъй като на вграден микро-компютър са необходими около 3 секунди, за да потвърди, че батерията, с UC18YFSL/UC18YML2 е извадена, изчакайте поне 3 секунди преди да я поставите отново и да продължите зареждането. Ако батерията бъде поставена преди да минат 3 секунди, може да не бъде правилно заредена.

- (4) Проверете оставащото ниво на батерията
Когато натискате превключвателя за индикатора на батерията, индикаторът на батерията показва оставащото ниво на батерията според статуса на светодиодната лампа, както е показано по-долу.

Състояние на индикатора	
 <p>Светят 2 светодиода (в червено)</p>	Батерията има достатъчен заряд.
 <p>Светва 1 светодиод (червен)</p>	Батерията е наполовина разредена.
 <p>Примигава 1 светодиод (червен)</p>	Батерията е почти изцяло разредена. Заредете батерията при първа възможност.

- (5) Други функции
В случай на грешка при работа, светодиодните лампи се показват както е посочено по-долу.

Състояние на индикатора	
 <p>Светодиодна лампа</p> <p>Светодиодната лампа мига на интервали.</p> <ul style="list-style-type: none"> В случай, когато инструментът е твърде горещ, индикаторът примигава през 1 секунда. В случай, когато инструментът е твърде студен, индикаторът примигава на интервал от 0,5 секунди. <p>След 10 секунди, светлинният индикатор и бутонът за захранване автоматично се изключват.</p>	<p>Машината е твърде студена (под -5°C или твърде гореща). Оставете инструментата да се охлади или загрее добре до подходящо състояние.</p>
 <p>2 светодиода мигат в оранжево, след 10 секунди автоматично се изключва захранването.</p>	Свържете се с HiKOKI за проверка.


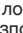

- (6) Как да се отчита светодиодния индикатор (Вижте Фиг. 7)
Докато превключвателят на захранването е включен, светодиодният индикатор автоматично ще освети върха на инструмента.

ВНИМАНИЕ

- Не излагайте директно очите си на светлина, като гледате в нея.
Ако очите ви постоянно са изложени на светлина, те ще се повредят.
- Избършете всички замърсявания по лещата на светодиодния индикатор с парче мек плат, като внимавате да не я надраскате.
Ако светлинният индикатор бъде надраскан, той ще свети по-слабо.

2. Механизъм за заключване на спусъка (вижте фиг. 8)

ПРЕДУПРЕЖДЕНИЕ

- Когато не изстрелвате пирони, се уверете, че спусъкът е заключен.
Този пистолет има заключващ механизъм, който предотвратява изстрелването на пирони.
Поставете лоста за заключване на позиция , за да заключите спусъка.
Когато се използва инструментът, плъзнете лоста за заключване в положение  и когато не се използва, в положение .

3. Тестване на инструмента

ПРЕДУПРЕЖДЕНИЕ

- Когато не забивате пирони, се уверете, че спусъкът е заключен. (Вижте Фиг. 8)
- Никога не използвайте инструмента ако лостът не работи правилно.
NT1865DBAL и NT1865DBSL използват предпазен механизъм за разтоварване.
NT1865DBAL и NT1865DBSL влизат в състояние, при което лостът не може да бъде натиснат нагоре. Това става, когато отделението за пирони не е заредено с пирони или когато оставащият брой пирони стане по-малък от 6 или 9.

ВНИМАНИЕ

- Внимавайте да не ударите върха на лоста в дървото.
Преди да започнете да забивате, тествайте инструмента, като следвате стъпките от списъка за проверка на инструмента по-долу. Направете проверката по следния ред.
Ако забележите необичайна работа, спрете да използвате инструмента и незабавно се свържете с оторизиран сервизен център на HiKOKI.
- (1) ИЗВАДЕТЕ ВСИЧКИ ПИРОНИ И БАТЕРИЯТА ОТ ИНСТРУМЕНТА.

- ВСИЧКИ ВИНТОВЕ ТРЯБВА ДА БЪДАТ ЗАТЕГНАТИ.
- ЛОСТЪТ И СПУСЪКЪТ ТРЯБВА ДА СЕ ДВИЖАТ ПЛАВНО с издърпване на подаващия механизъм на инструмента (B). (NT1850DBSL: Не е необходимо да се дърпа назад захранващия механизъм за пирони)

- (2) Монтиране на батерията.
Не работете с лоста или спусъка, докато поставяте батерията. (Вижте Фиг. 2)
- (3) Включете ключа за захранването. (Вижте Фиг. 1)
Включете ключа за захранването като натиснете и задръжте бутона за захранване повече от 1 секунда. Уверете се, че индикаторът за захранване свети в зелено, а индикаторът за забиване свети в синьо. (МЕХАНИЗЪМ ЗА ПЪЛНА ПОСЛЕДОВАТЕЛНА АКТУАЦИЯ)

ЗАБЕЛЕЖКА

Не натискайте лоста и/или не натискайте спусъка по време на процеса на включване на захранването.

Това ще предотврати включването на захранването.

[Функция за автоматично изключване]

Когато захранването е включено, но инструментът не се използва за 30 минути, той автоматично се изключва. За да го включите отново, натиснете бутона за захранването.

ПРЕДУПРЕЖДЕНИЕ

Никога не оставяйте инструмента включен. Това може да доведе до злополука.

Индикатор за работа с пирони

Светлинен индикатор (синьо):

МЕХАНИЗЪМ ЗА ПЪЛНА ПОСЛЕДОВАТЕЛНА АКТУАЦИЯ

Примигване (в синьо):

МЕХАНИЗЪМ ЗА КОНТАКТНА АКТУАЦИЯ

Уверете се, че индикаторът на батерията не примигва.

Ако индикаторът на батерията мига в червено, батерията няма достатъчно мощност и трябва да се зареди.

- (4) Свалете пръст от спусъка и натиснете лоста срещу детайла с издърпване на подаващия механизъм (B).

ИНСТРУМЕНТЪТ НЕ ТРЯБВА ДА РАБОТИ.

- (5) Отделете лоста от детайла.

След това насочете пирона надолу, с издърпване на подаващия механизъм (B), дръпнете спусъка и изчакайте в това положение за 5 секунди или повече.

ИНСТРУМЕНТЪТ НЕ ТРЯБВА ДА РАБОТИ.

- (6) ① Без да докосвате спусъка, отпуснете лоста срещу детайла с издърпване на подаващия механизъм (B).

След това издърпайте спусъка.

ИНСТРУМЕНТЪТ ТРЯБВА ДА РАБОТИ.

- ② Задръжте спусъка назад и натиснете отново лоста срещу детайла.

ИНСТРУМЕНТЪТ НЕ ТРЯБВА ДА РАБОТИ.

- ③ Свалете пръст от спусъка.
След това, ① е активиран отново.

ИНСТРУМЕНТЪТ ТРЯБВА ДА РАБОТИ.

- (7) Отделете лоста от детайла, изтеглете спусъка.

Натиснете лоста срещу детайла в рамките на 2 секунди.

ИНСТРУМЕНТЪТ НЕ ТРЯБВА ДА РАБОТИ.

- (8) Настройте индикатора за работа с пирони да мига в режим „ВКЛ.“ (МЕХАНИЗЪМ ЗА КОНТАКТНА АКТУАЦИЯ)

Натиснете веднъж ключа за забиване, уверете се, че индикаторът мига в синьо.

Отделете лоста от детайла, изтеглете спусъка.

Натиснете лоста срещу детайла в рамките на 2 секунди.

ИНСТРУМЕНТЪТ ТРЯБВА ДА РАБОТИ.

- (9) Ако не забележите необичайна работа, можете да заредите пирони в инструмента за забиване на пирони.

Забийте пироните в детайла, който е от същия тип, който ще се използва в самото приложение.

ИНСТРУМЕНТЪТ ТРЯБВА ДА РАБОТИ ПРАВИЛНО.

4. Проверка на работата на лоста за натискане ПРЕДУПРЕЖДЕНИЕ

Когато не изстрелвате пирони, се уверете, че спусъкът е заключен.

Преди проверка на работата на лоста за натискане, винаги се уверявайте, че спусъкът е заключен и батерията е извадена от електроинструмента.

Проверете дали лостът за натискане се плъзга плавно при работа.

Почистете плъзгачата се площ на лоста за натискане, ако той не се плъзга гладко.

5. Заредете пироните

ПРЕДУПРЕЖДЕНИЕ

Когато зареждате пирони в инструмента,

- 1) извадете батерията от инструмента;
- 2) не дърпайте спусъка;
- 3) не натискайте лоста; и
- 4) дръжте инструмента посочен надолу.

<NT1865DBAL, NT1865DBSL>

2 – Подаване на пирони!

- (1) Поставете патрона в задната част на отделението за пирони. (Вижте **Фиг. 9**)

(2) Плъзнете патрона напред в отделението за пирони. (Вижте **Фиг. 10**)

(3) Натиснете подаващия механизъм (A), за да захванете подаващия механизъм (B) към патрона. (Вижте **Фиг. 11**)

ЗАБЕЛЕЖКА

○ Натиснете внимателно подаващия механизъм (A) и подаващия механизъм (B) срещу пирона.

Ако подаващият механизъм (A) и подаващият механизъм (B) се освободят от задната част на отделението за пирони и се ударят в пирона, свързващият клей на пирона може да се повреди.

○ Използвайте патрон с не повече от 10 пирона.

○ Използвайте неповреден патрон с пирони с еднаква дължина.

Инструментът за забиване на пирони вече е готов за работа.

Отстраняване на пироните:

- ① Издърпайте подаващия механизъм (B) назад. (Вижте **Фиг. 12**)

② Върнете подаващия механизъм (B) напред, докато натискате подаващия механизъм (A).

③ Извадете пироните от задната страна на отделението за пирони. (Вижте **Фиг. 13**)

<NT1850DBSL>

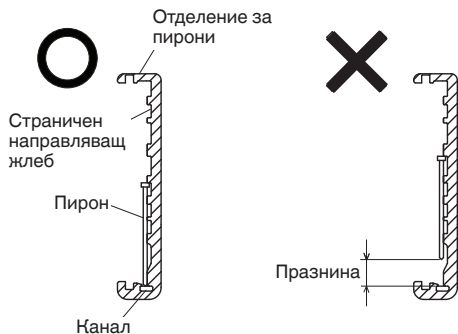
- (1) Натиснете леко лоста за спиране и внимателно издърпайте капака на отделението за пирони. (Вижте **Фиг. 14**)

(2) Поставете патрона за пирони в отделението за пирони и дръжте пироните в контакт с жлеба. (Вижте **Фиг. 15**)

ЗАБЕЛЕЖКА

Пироните, показани на страница 336, могат да бъдат заредени върху страничния водещ жлеб на отделението за пирони, без корекция.

Винаги дръжте пироните в контакт с жлеба.



- (3) Плъзнете патрона за пирони във водача на острието. (Вижте Фиг. 16)
- (4) Уверете се, че патронът с пирони е поставен правилно със страничните направляващи жлебове, след това натиснете капака на отделението за пирони напред, за да фиксирате.

КАК СЕ ИЗПОЛЗВА ИНСТРУМЕНТЪТ ЗА ЗАБИВАНЕ НА ПИРОНИ

ПРЕДУПРЕЖДЕНИЕ

- НИКОГА не насочвайте инструмента към себе си или към други хора в работната зона.
- Пазете пръстите си ДАЛЕЧЕ от спусъка, когато не забивате, за да избегнете случайно нараняване.
- Не използвайте електрическия кабел, ако е повреден. Незабавно го подменете.
- Изборът на действащ метод е важен. Моля, прочетете и разберете „1. Процедури за работа с пирони“, които се намират по-долу.
- Преди да започнете работа, уверете се, проверете превключващото устройство на инструмента. Този инструмент за забиване на пирони HiKOKI включва устройство за превключване на операциите по забиване. Преди да започнете работа, уверете се, че уредът е поставен правилно. Ако превключващото устройство не е настроено правилно, инструментът няма да работи правилно.
- Когато използвате инструмента, никога не поставяйте лицето, ръцете или краката си близо до изстрелващата глава.
- Не забивайте пирони върху други пирони с инструмента под твърде стръмен ъгъл; пироните могат да рикошират и да наранят някого.
- Не забивайте пирони в тънки дъски или близо до ъгли и ръбове на детайла. Пироните могат да се отклонят при забиването и да ударят някого.
- Никога не забивайте пирони от двете страни на стената едновременно. Пироните могат да пробият стената и да ударят човек от другата страна.
- Никога не използвайте инструмент, който е дефектен или работи неправилно.
- Не използвайте инструмента като чук.
- Отстранете всички останали пирони и батерията от инструмента, когато:
 - 1) извършвате поддръжка и проверка;
 - 2) проверявате правилното функциониране на лоста и спусъка;
 - 3) прикрепите или премахвате капачката на накрайника;
 - 4) освобождавате заседнал пирон;

- 5) не използвате инструмента;
 - 6) напуснете работното място;
 - 7) преместете инструмента на друго място; и
 - 8) давате инструмента на друго лице.
- Изваждайте батерията от инструмента, когато:
 - 1) зареждате пирони;
 - 2) въртите регулатора.

Този инструмент за забиване на пирони HiKOKI е оборудван с превключващо устройство за работа. Използвайте МЕХАНИЗМА ЗА ПЪЛНА ПОСЛЕДОВАТЕЛНА АКТУАЦИЯ или МЕХАНИЗМА ЗА КОНТАКТНА АКТУАЦИЯ в съответствие с работата, която ще се изпълнява.

Обяснение на различните операции по забиване

- МЕХАНИЗЪМ ЗА ПЪЛНА ПОСЛЕДОВАТЕЛНА АКТУАЦИЯ:

Първо натиснете лоста за натискане срещу дървото; след това дръпнете спусъка, за да забиете пирона. За да продължите да забивате пирони, следвайте същата последователност.

След като веднъж забиете пирон, повторно забиване няма да бъде възможно, докато не махнете пръста си от спусъка и не вдигнете напълно инструмента от дървената повърхност.

- МЕХАНИЗЪМ ЗА КОНТАКТНА АКТУАЦИЯ
КОНТАКТНАТА АКТУАЦИЯ може да следва две различни последователности, в зависимост от вашата употреба.

За да забиете няколко пирона:

1. Дръпнете спусъка.
2. Натиснете лоста за натискане срещу дървото, за да забиете пирона.
3. Ако спусъкът се задържи назад, всеки път, когато лостът за натискане бъде натиснат срещу дървото, ще бъде забиван пирон.

За да забие един пирон:

1. Натиснете лоста за натискане към дървото.
2. Дръпнете спусъка, за да забиете пирона.
3. Дръпнете пръста си от спусъка и извадете пирона от дървото.

[Механизъм за блокиране на сухи пожари]

NT1865DBAL и NT1865DBSL използват предпазен механизъм за разтоварване.

NT1865DBAL и NT1865DBSL влизат в състояние, при което лостът не може да бъде натиснат нагоре. Това става, когато отделението за пирони не е заредено с пирони или когато оставащият брой пирони стане по-малък от 6 или 9.

ВНИМАНИЕ

Бъдете внимателни, за да не ударите върха на лоста в дървото, когато лостът не може да бъде натиснат нагоре.

1. Процедури за забиване на пирони

Този инструмент е снабден с лост за натискане и не работи, ако лостът не е натиснат.

При този инструмент има два метода за управление на работата с пирони.

Те са:

1. Режим за работа на периоди (задействане на спусъка):
 2. Режим за непрекъсната работа (изстрелване с лост)
 - (1) Режим за работа на периоди (задействане на спусъка)

Използвайте настройката за МЕХАНИЗЪМ ЗА ПЪЛНА ПОСЛЕДОВАТЕЛНА АКТУАЦИЯ. (Вижте Фиг. 17)
- ПРЕДУПРЕЖДЕНИЕ**
- За работа на периоди, настройте превключателя за работа на МЕХАНИЗЪМ НА ПЪЛНА ПОСЛЕДОВАТЕЛНА АКТУАЦИЯ (индикаторът за работа с пирони свети в синьо.) (т.е. задайте МЕХАНИЗЪМ ЗА ЕДИНИЧНА АКТУАЦИЯ.)

Български

- За да избегнете двойно изстрелване или случайно изстрелване поради откат.
 - 1) Настройте на **МЕХАНИЗЪМ ЗА ПЪЛНА ПОСЛЕДОВАТЕЛНА АКТУАЦИЯ**.
 - 2) Дръпнете спусъка бързо и здраво.
- ① За работа на периоди, настройте превключвателя за работа на **МЕХАНИЗЪМ ЗА ПЪЛНА ПОСЛЕДОВАТЕЛНА АКТУАЦИЯ** (индикаторът за работа с пирони свети в синьо.) (за да настроите на **МЕХАНИЗЪМ ЗА ПЪЛНА ПОСЛЕДОВАТЕЛНА АКТУАЦИЯ**). (Настройте превключващото устройство на индикатора за работа с пирони в синия режим, както е показано в **Фиг. 17**. В противен случай ще остане настройката за **МЕХАНИЗЪМ ЗА КОНТАКТНА АКТУАЦИЯ**.)
- ② Поставете острата част за пирона върху детайла с пръст от спусъка.
- ③ Натиснете здраво лоста за натискане до края.
- ④ Дръпнете спусъка, за да забиете пирона.
- ⑤ Свалете пръста от спусъка и вдигнете изцяло инструмента от дървената повърхност.

За да продължите да забивате на отделно място, преместете пистолета по дървото, като повтаряте стъпките ② - ⑤.

ЗАБЕЛЕНКА

- Операциите ③ и ④ трябва да бъдат извършени в рамките на 2 секунди една от друга. Ако минат повече от 2 секунди след ③, инструментът няма да работи правилно. Ако това се случи, опитайте отново от ③.
- (2) Режим за непрекъсната работа (изстрелване с лост) Използване на **МЕХАНИЗЪМ ЗА КОНТАКТНА АКТУАЦИЯ** (Вижте **фиг. 18**)

ПРЕДУПРЕЖДЕНИЕ

За да избегнете двойно изстрелване или случайно изстрелване поради откат.

- 1) Не натискайте прекалено силно инструмента срещу дървото.
 - 2) Отделете пирона от дървото, когато той се отдръпва след забиването.
- ① Настройте превключвателя за работа на **МЕХАНИЗЪМ ЗА КОНТАКТНА АКТУАЦИЯ** (индикаторът за работа с пирони свети в синьо.) (за настройване на **МЕХАНИЗЪМ ЗА КОНТАКТНА АКТУАЦИЯ**). (Настройте превключващото устройство на индикатора за работа с пирони в премигващ син режим, както е показано на **Фиг. 18**. В противен случай, няма да работи правилно.)
- ② Дръпнете спусъка на инструмента за забиване на пирони от детайла.
- ③ Освободете лоста за натискане срещу дървения детайл, за да забиете пирона.
- ④ Местете инструмента по детайла с подскачащо движение.

Всяко натискане на лоста ще забива пирон.

Веднага щом забие желания брой пирони, свалете пръст от спусъка.

ЗАБЕЛЕНКА

Операциите ② и ③ трябва да бъдат извършени в рамките на 2 секунди една от друга. Ако минат повече от 2 секунди след ②, инструментът няма да работи правилно. Ако това се случи, опитайте отново от ②.

ПРЕДУПРЕЖДЕНИЕ

- Дръжте пръста си извън спусъка, освен по време на операция по забиване, тъй като ако лостът за натискане случайно ви докосне или влезе в контакт с друго лице в зоната за работа, може да се случи сериозно нараняване.

- Дръжте ръцете и тялото си далече от зоната за изпускане на пирон. Този инструмент **НИКОКИ** може да отскача при откат по време на забиване на пирон и може да се задейства нежелан последващ пирон, което може да причини нараняване.

ЗАБЕЛЕНКА

- Ако се следват всички предупреждения и инструкции, е възможно безопасна работа с всичките две системи: **МЕХАНИЗЪМ ЗА ПЪЛНА ПОСЛЕДОВАТЕЛНА АКТУАЦИЯ**, **МЕХАНИЗЪМ ЗА КОНТАКТНА АКТУАЦИЯ**.
- Работете с пироните и опаковката внимателно. Ако изпуснете пироните, може да се случи свързващата връзка, което ще доведе до неправилно подаване и засядане на пирони.
- След забиване:
 - 1) извадете батерията от инструмента;
 - 2) отстранете всички пирони от инструмента;

- 2. Регулиране на дълбочината за забиване**

За да се гарантира, че всеки пирон прониква на една и съща дълбочина, уверете се, че уредът винаги се държи здраво срещу детайла.

Ако пироните се забиват твърде дълбоко или плитко в детайла, регулирайте заковаването в следния ред.

- ① Извадете батерията от инструмента.
- ② Ако пироните се забиват твърде дълбоко, завъртете регулатора към плитката страна. (Вижте **Фиг. 19**) Корекциите са в стъпки на половин оборот. Ако пироните се забиват твърде дълбоко, завъртете регулатора към плитката страна. (Вижте **Фиг. 20**)
- ③ Спрете да въртите регулатора, когато се достигне подходящо положение при теста за дълбочина на забиване.
- ④ Поставете батерията в инструмента. **ВИНАГИ НОСЕТЕ ПРЕДПАЗНИ ОЧИЛА**. Направете тест за забиване.
- ⑤ Извадете батерията от инструмента.
- ⑥ Изберете подходяща позиция за настройка.

3. Използване на куката (Вижте **фиг. 21, 22, 23**)

ПРЕДУПРЕЖДЕНИЕ

Когато използвате куката, изключете превключвателя на захранването (зелена светлина „ИЗНЛ.“). Обърнете достатъчно внимание, за да не изпадне основното оборудване.

Ако инструментът падне, има опасност от инцидент. Куката може да се монтира отляво или отдясно. (с изключение на NT1865DBAL)

- ① Извадете батерията, след което извадете всички останали пирони от пълнителя.
- ② Хванете здраво устройството и извадете винта с помощта на отвертка. (Вижте **Фиг. 21**)
- ③ Свалете пластината на куката и куката. (Вижте **Фиг. 22**)
- ④ Поставете куката от другата страна и здраво закрепете с винт. (Вижте **Фиг. 23**)

ЗАБЕЛЕНКА

Куката може да се използва като закачалка.

4. Използване на капачката на накрайника (виж **фиг. 24, 25**)

ПРЕДУПРЕЖДЕНИЕ

Когато прикрепяте или откатите капачката на накрайника, уверете се, че сте свалили пръста си от спусъка и отстранете от инструмента всички останали пирони и батерията.

Ако желаете да предпазите повърхността на детайла от надраскване или маркировки, направени от лоста за натискане, прикрепете капачката на накрайника към лоста за натискане.

- ① Отстранете всички останали пирони и батерията от инструмента.
- ② Поставете капачката на накрайника на лоста за натискане.

- ③ Капачката за накрайника е маркирана, за да показва изходната точка на пилона, което прави подравняването по-лесно.
- ④ Когато не използвате капачката за накрайника, закрепете я в отделението за съхранение, разположено от задната страна на пълнителя.

ЗАБЕЛЕЖКА

Капачката за накрайника може да намали дълбочината на забиване поради нейната дебелина. Необходима е повторна настройка на дълбочината за забиване.

5. Освобождаване на заседнал пирон

Ако пироните са заседнали в главата за изстрелване, отстранете я и регулирайте забиването в следния ред.

ВНИМАНИЕ

Извадете батерията от инструмента.

- ① Извадете батерията от инструмента.
- ② Отстранете всички пирони.
- ③ Освободете лоста за натискане и отворете водещата пластина. (Вижте **Фиг. 26**)
- ④ Извадете заседналия пирон с отвертка с главичка. (Вижте **Фиг. 27**)

ВНИМАНИЕ

- НИКОГА не удяряйте острието за забиване.
 - НИКОГА не насочвайте инструмента към себе си или към друг човек, с цел да се избегнете риска от нараняване чрез неправилно изстрелване на пирон. Дори ако батерията се извади от инструмента, вътре в него все още има енергия от съгъстен въздух.
- ⑤ Затворете водещата плоча и ключалката.

ЗАБЕЛЕЖКА

Ако пироните засядат често, се свържете с оторизиран сервизен център на HiKOKI.

ПОДДРЪЖКА И ИНСПЕКЦИЯ**ВНИМАНИЕ**

Преди поддръжка и проверка, се уверете, че сте свалили всички останали скрепителни елементи и батерията от инструмента.

1. Проверка на пълнителя

- ① Извадете батерията от инструмента.
- ② Почистете пълнителя. Отстранете праха и дървените стърготини, които може да са се натрупали в пълнителя.

ВНИМАНИЕ

Проверете дали подаващият механизъм за пирони се плъзга гладко, като го дърпате с пръст. Ако не се плъзга гладко, пироните могат да бъдат забивани под неправилен ъгъл и да нараняват някого.

2. Инспекция на фиксиращи винтове

Редовно инспектирайте всички фиксиращи винтове и се уверете, че са добре затегнати. Ако установите разхлабен винт, незабавно го затегнете. Неспазването на горното крие рискове от злополуки и нараняване.

3. Поддръжка на мотора

Намотките на мотора са "сърцето" на уреда. Упражнявайте особено внимание към намотките, тъй като могат да се повредят от попадане на влага и/или масло по тях.

4. Проверка на клемите (инструмент и батерия)

Уверете се, че по клемите не са се събрали прах и стружки. От време на време проверявайте преди, по време и след операцията.

ВНИМАНИЕ

Отстранете евентуално натрупани стружки и прах от клемите. В противен случай има опасност от повреда.

5. Външно почистване

При замърсяване избършете инструмента с мека, суха кърпа или кърпа, навлажнена със сапунена вода. Не използвайте разтворители на алкохолна, бензинова основа, или разреждатели за бои, тъй като те ще разядат пластмасовите повърхности.

6. Съхранение

Съхранявайте инструмента при температура под 40°C на място, недостъпно за деца.

ЗАБЕЛЕЖКА

Съхранение на литиево-йонни батерии.

Уверете се, че литиево-йонните батерии са напълно заредени, преди да ги оставите за съхранение.

Продължително съхранение (3 месеца или повече) на непълно заредени батерии може да доведе до лоша работа, значително съксяване на живота на батериите или да ги направи негодни за употреба.

Въпреки това, батерии със значително съхсен живот могат да бъдат възстановени, чрез няколкократно зареждане и пълното им разреждане от два до пет пъти.

Ако полезният живот на батерията е значително съкратен, независимо от многократното зареждане и използване, считайте батерията за износена и сменете с нова.

ВНИМАНИЕ

По време на работа и поддръжка на електрически уреди трябва да се спазват разпоредбите и стандартите за безопасност за всяка страна.

Важна информация за батерии за безжични инструменти HiKOKI

Моля, винаги използвайте нашите оригинални батерии. Не гарантираме безопасността и работата на уреда, когато се използват батерии, различни от посочените от нас, или когато са правени промени по батериите (като разглобяване и подмяна на клетките или други вътрешни компоненти).

ГАРАНЦИЯ

Предоставяме гаранция за Електрически Инструменти HiKOKI съгласно специфичните местени законодателства на съответните държави. Настоящата гаранция не покрива дефекти или повреди, причинени от неправилно или небрежно използване, както и дължащи се на обичайно износване на компонентите. В случай на рекламата, моля, изпратете Електрическият Инструмент, в неразглобен вид, с ГАРАНЦИОННАТА КАРТА, продълствена в края на инструкциите, на оторизиран сервизен център на HiKOKI.

Информация за шума

Стойности на шумовите характеристики в съответствие с EN 60745:

Типичното ниво на звукова мощност за единично събитие с А-тегло $L_{WA,1s,d} = 92$ dB
Типичното ниво на звуковото налягане на емисиите при единично събитие на работното място $L_{pA,1s,d} = 81$ dB

Отклонения КрА: 3 dB

Тези стойности са характеристични стойности, свързани с инструмента, и не представляват шума в точката на употреба. Шумът в точката на употреба ще зависи например от работната среда, детайла, поддръжката на детайла и броя на операциите за забиване и т.н.

В зависимост от условията на работното място и формата на детайла, може да се наложи да се вземат индивидуални мерки за намаляване на шума, като например поставяне на детайли на звукопоглъщащи опори, предотвратяване на вибрациите на детайла чрез затягане или покриване и др.

В специални случаи е необходимо да се използват средства за защита на слуха.

Информация за вибрацията

Типична стойност на вибрационната характеристика в съответствие с EN 60745: 2,6 м/с².
Неопределеност К: 1,5 м/с².

Тези стойности са характеристични стойности, свързани с инструмента, и не представляват влиянието на системата за ръце при използване на инструмента. Влиянието върху системата за ръце при използване на инструмента ще зависи например от силата на захващане, силата на контактното налягане, посоката на работа, регулирането на енергийното хранване, детайла, опората за усукване.

Декларираните общи стойности на вибрации са измерени съгласно стандартните методи на изпитване и могат да бъдат използвани за сравнение между различните инструменти.

Освен това стойностите могат да се използват за предварителна оценка.

ПРЕДУПРЕЖДЕНИЕ

- Вибрациите по време на действителна употреба на инструмента могат да се различават от декларираните общи стойности, в зависимост от начина на използване на инструмента.
- Идентифициране на мерките за безопасност за оператора, въз основа оценка на въздействието при действителни условия на използване (като се вземат предвид всички елементи от работния цикъл, като периоди на включване и изключване, както и работа на празни обороти непосредствено преди и след момента на използване).

ЗАБЕЛЕЖКА

Поради непрекъснатото развитие на научно-развойната програма на HiKOKI, дадените тук спецификации са предмет на промяна без уведомление.

Таблица за поддръжка

ДЕЙСТВИЕ	ЗАЩО	КАК
Почистете пълнителя и подаващия механизъм.	Предотвратете задръстване.	Почиствайте с продухване ежедневно.
Дръжте натиснат лоста правилно.	Насърчавайте безопасността на оператора и ефективна работа с инструмента.	Почиствайте с продухване ежедневно.

ОТСТРАНЯВАНЕ НА НЕИЗПРАВНОСТИ

Използвайте инспекциите в таблицата по-долу, ако инструментът не функционира нормално. Ако с това проблемът не бъде отстранен, обърнете се към вашия дилър или към оторизирания сервизен център на HiKOKI.

ПРОБЛЕМ	МЕТОД ЗА ПРОВЕРКА	КОРЕКЦИЯ
Превключвателят на хранването не се включва. Включва се, но се изключва автоматично.	Нисък заряд на батерията.	Заредете батерията.
	Повредена вътрешна електроника.	Свържете се с HiKOKI за подмяна.
	Лостът за натискане и/или спусъкът са включени?	Дръжте лоста за натискане и спусъка в изключено състояние.
	Не изпълнявате операция в продължение на 30 минути? (Функция за автоматично изключване)	Натиснете и задръжте превключвателя на хранването за повече от 1 секунда, за да включите на позиция „ВКЛ.“.

ПРОБЛЕМ	МЕТОД ЗА ПРОВЕРКА	КОРЕКЦИЯ
Инструментът не работи (Превключвателя за ВКЛ.)	Инструментът не е достатъчно притиснат към детайла.	Дръжте пирона здраво и натиснете докрай детайла.
	Спусъкът не достатъчно издърпан.	Дръпнете силно спусъка.
	Минават повече от 2 секунди от поставянето на лоста за натискане на позиция „ВКЛ.“ до „ВКЛ.“ на спусъка (или от включване на спусъка до включване на лоста за натискане).	Уверете се, че между двете включения минават по-малко от 2 секунди (между включва не спусъка и лоста за натискане и обратно).
	Превантивният механизъм е активиран. (Няма пирони, или твърде малко останали пирони) (с изключение на NT1850DBSL)	Презаредете пироните в пълнителя.
	Лостът за заключване (функция за заключване на спусъка) е в положение „ВКЛ.“.	Настройте лоста за заключване на превключвателя в положение „ИЗКЛ.“. (Вижте Фиг. 8)
	Машината е твърде студена (под -5°C) или твърде гореща. (Светодиодният индикатор мига на редовни интервали и ключът за захранването изгасва след 10 секунди.) (Направете справка със страница 339)	Оставете инструмента да се охлади или загрее добре до подходящо състояние.
	Повредена вътрешна електроника.	Свържете се с NiKOKI за подмяна.
Инструментът работи, но нито един пирон не се забива.	Пълнителят е замърсен.	Продушайте и избършете пълнителя.
	Проверете за засядане на пирон.	Отстранете заседналият пирон (вижте Фиг. 26, 27).
	Острието на водача е износено или повредено?	Свържете се с NiKOKI за подмяна.
	Пружината на лентата е разхлабена или повредена?	Сменете пружината на лентата.
	Подаващото устройство за пирони е повредено?	Сменете подаващото устройство за пирони.
	Проверете дали пироните са подходящи.	Използвайте само препоръчаните пирони.
Слабо забиване на пирони. Бавно въртене.	Проверете положението на регулатора за дълбочината на забиване.	Регулирайте съгласно фиг. 19, 20 .
	Износен водач на острието?	Свържете се с NiKOKI за подмяна.
	Налягането на съгстен въздух е ниско.	Свържете се с NiKOKI за подмяна.
	Повредена вътрешна електроника.	Свържете се с NiKOKI за подмяна.
Прекалено дълбоко забиване.	Проверете положението на регулатора за дълбочината на забиване.	Регулирайте съгласно фиг. 19, 20 .
Пропускане на пироните. Прекъснато подаване на пирони.	Проверете дали пироните са подходящи.	Използвайте само препоръчаните пирони.
	Подаващото устройство за пирони е повредено?	Сменете подаващото устройство за пирони.
	Пружината на лентата е разхлабена или повредена?	Сменете пружината на лентата.
	Острието на водача е износено или повредено?	Свържете се с NiKOKI за подмяна.
Засядане на пирон. Забиваният пирон е огънат.	Проверете дали пироните са подходящи.	Използвайте само препоръчаните пирони.
	Острието на водача е износено или повредено?	Свържете се с NiKOKI за подмяна.

OPŠTA BEZBEDNOSNA UPOZORENJA ZA ELEKTRIČNI ALAT

⚠ UPOZORENJE

Pročitajte sva bezbednosna upozorenja i sva uputstva.
Propust da se slede upozorenja i uputstva može da izazove strujni udar, požar i/ili teške povrede.

Sačuvajte sva upozorenja i uputstva za buduću upotrebu.

Izraz „električni alat“ u ovim upozorenjima odnosi se na električni alat napajan iz mreže (pomoću kabla) ili na alat napajan iz baterije (bez kabla).

1) Bezbednost radnog područja

a) Radno područje održavajte čistim i dobro osvetljenim.

Zbog zakrčenog ili mračnog prostora mogu se dogoditi nesreće.

b) Električnim alatom nemojte da rukujete u eksplozivnoj atmosferi, na primer u prisustvu zapaljivih tečnosti, gasova ili prašine.

Električni alati stvaraju varnice koje mogu da zapale prašinu ili isparenja.

c) Decu i posmatrače držite podalje dok rukujete električnim alatom.

Zbog ometanja možete da izgubite kontrolu nad njim.

2) Električna bezbednost

a) Utikači električnog alata moraju da odgovaraju utičnici.

Nikada ni na koji način nemojte da prepravljate utikač.

Nemojte da koristite nikakve adaptere za utikače dok rukujete uzemljenim električnim alatom.

Utikači koji nisu prepravljani i odgovarajuće utičnice smanjuće opasnost od strujnog udara.

b) Izbegavajte kontakt sa uzemljenim površinama kao što su cevi, radijatori, šporeti ili frižideri.

Opasnost od strujnog udara se povećava ako vam je telo uzemljeno.

c) Električni alat nemojte da ostavljate na kiši ili izloženog vlazi.

Voda koja prođe u električni alat povećaće opasnost od strujnog udara.

d) Nemojte da zloupotrebljavate kabl. Kabl nikada nemojte da biste nosili, vukli ili isključivali iz struje električni alat.

Kabl držite podalje od toplote, ulja, oštih ivica ili pokretnih delova.

Oštećeni ili upetljani kablovi povećavaju opasnost od strujnog udara.

e) Kada električni alat koristite napolju, koristite produžni kabl koji je predviđen za spoljnu upotrebu.

Korišćenjem kabla koji je predviđen za spoljnu upotrebu smanjuje se opasnost od strujnog udara.

f) Ako nije moguće izbeći upotrebu električnog alata na vlažnom mestu, koristite napajanje zaštićeno zaštitnom strujnom sklopkom (RCD). Korišćenjem RCD-a smanjuje se opasnost od strujnog udara.

3) Lična bezbednost

a) Kada rukujete električnim alatom budite na oprezu, pazite šta radite i koristite zdrav razum. Nemojte da koristite električni alat kada ste umorni ili ako ste pod uticajem droge, alkohola ili lekova.

Trenutak nepažnje tokom upotrebe električnog alata može dovesti do teške povrede.

b) Koristite ličnu zaštitnu opremu. Uvek nosite zaštitu za oči.

Zaštitna oprema kao što je maska za prašinu, neklizajuća radna obuća, šlem i zaštita za sluh, koja se koristi u odgovarajućim uslovima, smanjuje opasnost od povredivanja.

c) Onemogućite slučajno uključivanje. Pre priključivanja na izvor napajanja i/ili baterije, uzimanja ili prenošenja alata, proverite da li se prekidač nalazi u položaju isključeno.

Prenošenje električnog alata sa prstom na prekidaču ili uključivanje napajanja alata dok je prekidač u položaju uključeno može dovesti do nesreće.

d) Pre uključivanja električnog alata uklonite ključ za podešavanje.

Ključ koji je ostao pričvršćen na rotacionom delu električnog alata može da nanese povrede.

e) Nemojte se isticati. Sve vreme održavajte dobar oslonac i ravnotežu.

Zahvaljujući tome imaćete bolju kontrolu nad električnim alatom u neočekivanim situacijama.

f) Nosite odgovarajuću odeću. Nemojte da nosite široku odeću ili nakit. Kosu, odeću i rukavice držite podalje od pokretnih delova.

Pokretni delovi mogu da zahvate široku odeću, nakit ili dugu kosu.

g) Ako uređaj ima priključak za posudu za izvlačenje i prikupljanje prašine, postarajte se da ona bude ispravno priključena i korišćena.

Upotrebom posude za prikupljanje prašine mogu da se smanje opasnosti povezane s prašinom.

4) Upotreba i održavanje električnog alata

a) Nemojte koristiti električni alat na silu. Koristite električni alat koji odgovara poslu koji želite obaviti.

Odgovarajućim električnim alatom posao ćete obaviti bolje i bezbednije pri brzini za koju je predviđen.

b) Nemojte da koristite električni alat ako ne možete da ga uključite i isključite prekidačem. Svaki električni alat kojim ne može da se upravlja prekidačem predstavlja opasnost i mora biti popraavljen.

c) Izvucite utikač iz izvora napajanja i/ili uklonite bateriju iz električnog alata pre vršenja bilo kakvih podešavanja, menjanja pribora ili odlaganja električnog alata.

Ove preventivne mere bezbednosti smanjuju opasnost od slučajnog uključivanja električnog alata.

d) Nekorišćeni električni alat odložite van domašaja dece i nemojte dozvoliti da ga koriste osobe koje nisu upoznate s njim ili ovim uputstvima.

Električni alat je opasan u rukama osoba koje ne znaju kako se on koristi.

e) Održavajte električni alat. Proverite da li su pokretni delovi dobro namešteni i pričvršćeni, da li ima delova koji su polomljeni ili postoji neko stanje koje može uticati na rad električnog alata.

Ako je oštećen, električni alat treba popraviti pre upotrebe.

Mnoge nezgode su izazvane električnim alatom koji nije dobro održavan.

f) Alate za sečenje održavajte oštrom i čistim.

Manja je verovatnoća da će se zaglaviti ispravno održavani alat za sečenje sa naoštrenim oštricama i takav alat je lakše kontrolisati.

g) Električni alat, pribor, rezne pločice itd. koristite u skladu sa ovim uputstvima, uzimajući u obzir uslove rada i posao koji treba obaviti.

Korišćenje električnog alata za namene za koje nije predviđen može prouzrokovati opasne situacije.

DODATNA BEZBEDNOSNA UPOZORENJA

- 5) **Upotreba i održavanje alata s baterijom**
- Dopunjavajte isključivo punjačem koji je predvideo proizvođač.**
Punjač koji je predviđen za jednu bateriju može da izazove opasnost od požara kada se koristi za drugu bateriju.
 - Koristite električni alat isključivo sa konkretno predviđenim baterijama.**
Korišćenje bilo koje druge baterije može izazvati opasnost od povređivanja i požara.
 - Kada se baterija ne koristi, držite je podalje od metalnih predmeta kao što su spajalice, novčići, ključevi, ekseri, zavrtnji ili drugi mali metalni predmeti koji mogu napraviti spoj između dva kontakta.**
Stvaranje kratkog spoja između kontakta na bateriji može da izazove opekotine ili požar.
 - U uslovima pogrešnog korišćenja, tečnost može da iscuri iz baterije; izbegavajte kontakt. Ako do kontakta slučajno dođe, isperite vodom. Ako vam tečnost dospe u oči, potražite i pomoć lekara.**
Tečnost iscurila iz baterije može da izazove iritaciju ili opekotine.
- 6) **Servisiranje**
- Servisiranje vašeg električnog alata prepustite stručnom serviseru koji će koristiti isključivo identične rezervne delove.**
Time će se očuvati bezbednost električnog alata.

MERE PREDOSTROŽNOSTI

Decu i nemoćne osobe držite podalje.

Kada se ne koristi, alat treba držati van domašaja dece i nemoćnih osoba.

BEZBEDNOSNA UPOZORENJA ZA BEŽIČNI ZAVRŠNI ČEKIČ ZA UKUCAVANJE EKSERA/ČEKIČ ZA UKUCAVANJE SITNIH EKSERA

- Uvek pretpostavite da alat sadrži pričvršćivače.**
Nepažljivo rukovanje čekićem za ukucavanje eksera može da dovede do neočekivanog otpuštanja pričvršćivača i lične povrede.
- Ne usmeravajte alat ka sebi ili ikome u blizini.**
Neočekivano pokretanje će ispaliti pričvršćivač izazivajući ozledu.
- Ne aktivirajte alat osim ako alat nije čvrsto postavljen na radnu površinu.**
Ako alat nije u kontaktu sa radnom površinom, pričvršćivač se može odbiti od svoje mete.
- Isključite alat sa izvora napajanja kada se pričvršćivač zaglavi u alatu.**
Dok uklanjate zaglavljene pričvršćivač, čekić za ukucavanje eksera može slučajno da se aktivira ako je uključen.
- Budite oprezni dok uklanjate zaglavljene pričvršćivač.**
Mehanizam može da bude pod kompresijom a pričvršćivač može silom da se isprazni dok pokušavate da oslobodite zaglavljeno stanje.
- Ne koristite ovaj čekić za ukucavanje eksera za zatezanje električnih kablova.**
On nije namenjen za instalaciju električnog kabla i može da ošteti izolaciju električnih kablova tako izazivajući strujni udar ili opasnosti od požara.

1. Bezbedan rad kroz pravilno korišćenje.

Ovaj alat je dizajniran za ukucavanje eksera u drvo i sličnih materijala. Koristite ga samo za svoju namenu.

2. Pazite na paljenje i eksplozije.

Pošto varnice mogu da lete za vreme ukucavanja, opasno je koristiti ovaj alat u blizini lakova, boje, benzina, razređivača, gasa, lepкова i sličnih zapaljivih supstanci jer mogu da se zapale i eksplodiraju. Ni pod kojim uslovima ne treba ovaj alat da se koristi u blizini takvog zapaljivog materijala.

3. Uvek nosite zaštitu za oči (zaštitne naočari).



Kada rukujete električnim alatom, uvek nosite zaštitu za oči i postarajte se da ljudi u okruženju takođe nose zaštitu za oči.

Mogućnost da fragmenti eksera koji nisu pravilno udareni uđu u oko je opasnost po vid. Zaštita za oči može da se kupi u bilo

kojoj prodavnici alata. Uvek nosite zaštitu za oči dok rukujete ovim alatom. Koristite ili zaštitu za oči ili masku širokog vida a ne naočari za vid.

Poslodavci treba uvek da sprovede korišćenje opreme za zaštitu očiju.

4. Zaštitite svoje uši i glavu.

Kada se bavite poslom zakucavanja molimo da nosite slušalice za uši i zaštitu za glavu. Takođe, u zavisnosti od uslova, postarajte se da ljudi u okruženju takođe nose slušalice za uši i zaštitu za glavu.

5. Obratite pažnju na one koji rade u vašoj blizini.

Bilo bi veoma opasno ako bi ekseri koji nisu pravilno ukucani udarili druge ljude. Zato, uvek obratite pažnju na bezbednost ljudi oko vas kada koristite alat. Uvek se postarajte da ničije telo, ruke ili noge ne budu u blizini izlaza eksera.

6. Nikada ne usmeravajte izlaz eksera ka ljudima.



Uvek pretpostavite da alat sadrži pričvršćivače.

Ako je izlaz za eksere usmeren ka ljudima, ozbiljne nezgode mogu da se izazovu ako greškom ispraznite alat.

Kada povezujete ili isključujete bateriju, u toku učitavanja eksera ili sličnih rukovanja, postarajte se da izlaz eksera nije usmeren ni prema kome (uključujući vas). Čak i kada nijedan ekser nije ubačen, opasno je prazniti alat dok je uperen ka nekome, pa nikada ne pokušavajte to da uradite. Bez igranja. Smatrajte da je alat sredstvo rada.

7. Proverite polugu za guranje pre upotrebe.

Postarajte se da poluga za guranje pravilno radi. (Poluga za guranje može da se zove „Bezbednost“.) Nikada ne koristite čekić za ukucavanje eksera osim ako poluga za guranje ne radi pravilno, u suprotnom čekić za ukucavanje eksera bi mogao da neočekivano ukuca pričvršćivač. Ne ometajte niti uklanjajte polugu za guranje, u suprotnom će poluga za guranje postati neupotrebijiva.

8. Važan je izbor metode pokretanja.

Pročitajte i razumite odeljak pod nazivom „KAKO KORISTITI ČEKIČ ZA UKUCAVANJE EKSERA“ na strani 357.

9. Pre korišćenja ovog proizvoda, postarajte se da pravilno radi u skladu sa sadržajem „Testiranje čekića za ukucavanje eksera“ na strani 356.


10. Koristite samo određene eksere.

Nikada ne koristite eksere osim onih koji su navedeni i opisani u ovim uputstvima.

11. Budite pažljivi kada povezujete bateriju.

Kada povezujete bateriju i puniti ekserima a da ne biste okinuli alat slučajno, proverite sledeće.

- Ne dodirujte okidač.
- Ne dozvolite da glava za kucanje dođe u kontakt sa bilo kojom površinom.

- Držite glavu za kucanje dole.
Strogo poštujuć uputstva iznad i uvek se postarajte da nijedan deo tela, ruku ili nogu nikada nije ispred izlaza eksera.
- 12. Nemojte nehotično da stavite prst na okidač.**
Ne stavljajte prst na okidač osim kada zaista ukucavate ekser. Ako nosite ovaj alat ili ga dajete nekome dok vam je prst na okidaču, možete nehotično da ispustite ekser i tako da izazovete nesreću.
- 13. Čvrsto pritisnite izlaz eksera naspram materijala koji treba da se ukuca.**
Kada ukucavate ekser, čvrsto pritisnite izlaz eksera naspram materijala koji treba da se ukuca. Ako izlaz nije pravilno primenjen, ekseri mogu da odskoče.
- 14. Držite ruke i noge podalje od glave koja ispušta ekseru kada ga koristite.**
Veoma je opasno kada ekser slučajno udari u ruke ili noge.
- 
- 15. Pazite se povratnog udara alata.**
Ne prilazite gornjem delu alata koristeći glavu itd. u toku rukovanja. Ovo je opasno jer alat može nasilno da se povraća ako ekser koji se trenutno ukucava dođe u kontakt sa prethodnim ekserom ili čvorom u drvetu.
- 16. Pazite na dvostruko kucanje usled povratnog udara.**
Ako se poluzi za guranje nenamerno dozvoli da ponovo dođe u kontakt sa radnim delom nakon povratnog udara, neželjeni pričvršćivač će se ukucati.
Da bi se izbeglo ovo neželjeno dvostruko kucanje,
- Naizmenično rukovanje (okidanje okidača)
 - 1) Postavite uređaj za prekidanje na MEHANIZAM PUNE AKTUACIJE SEKVENCIRANJA.
 - 2) Brzo i čvrsto povucite okidač.
 - Neprekidna radnja (okidanje poluge za guranje)
 - 1) Ne pritisnite čekić za ukucavanje eksera naspram drveta koristeći preteranu snagu.
 - 2) Odvojite čekić za ukucavanje eksera od drveta jer ima povratni udar nakon pričvršćivanja.
- 17. Vodite računa kada kucate tanke ploče ili ivice drveta.**
Kada kucate tanke ploče, ekseri mogu skroz da prođu što takođe može da bude slučaj kada kucate ivice drveta usled devijacije eksera. U takvim slučajevima, uvek se postarajte da nema nikoga (i ničije ruke ili noge; itd.) iza tankih ploča ili pored drveta koje želite da ukucate.
- 18. Istovremeno kucanje na obe strane istog zida je opasno.**
Ni pod kojim okolnostima ne treba da se kucanje eksera izvrši na obe strane zida u isto vreme. Ovo bi bilo jako opasno jer ekseri mogu da prođu kroz zid i tako izazovu povredu.
- 19. Ne koristite električni alat na skelama, merdevinama.**
Električni alat neće biti korišćen za specifičnu primenu na primer:
 - kada menjanje jedne lokacije za ukucavanje na drugu uključuje korišćenje skela, stepeništa, merdevina ili merdevine koje su slične konstrukciji, npr. krovne letvice,
 - kutija za zatvaranje ili sanduka,
 - bezbednosni sistemi transporta fitinga npr. na vozilima i vagonima
- 20. Uklonite sve preostale pričvršćivače i bateriju iz čekića za ukucavanje eksera kada:**
 - 1) se održava i proverava;
 - 2) se proverava pravilno rukovanje poluge za guranje i okidača;
 - 3) se kači ili uklanja prednji poklopac;
 - 4) se popravljaju zaglavljnje;
 - 5) se ne koristi;
 - 6) se napušta područje rada;
- 7) se seli na drugu lokaciju; i
- 8) predaje se drugoj osobi.
- Nikada ne pokušavajte da otklonite zaglavljnje ili opravite čekić za ukucavanje eksera osim ako niste uklonili bateriju i sve preostale pričvršćivače iz čekića za ukucavanje eksera.
- Čekić za ukucavanje eksera nikada ne treba da se ostavi bez nadgledanja jer ljudi koji nisu upoznati sa čekićem za ukucavanje eksera mogu da njime rukuju i da se povrede.
- 21. Uklonite bateriju iz čekića za ukucavanje eksera kada:**
 - 1) punite ekseru;
 - 2) okrećete regulator.
- 22. Isključite bateriju.**
Kada kačite ili skidate prednji poklopac, odvojite bateriju. Kada kačite dodatni prednji poklopac na vrh poluge za guranje i kada ga skidate, postarajte se da isključite bateriju pre toga. Opasno je da se ekser slučajno udari.
- 23. Radna okolina za ovaj uređaj je između 0°C i 40°C pa se postarajte da korišćenje bude unutar ovog opsega temperature. Uređaj možda neće raditi ispod 0°C ili iznad 40°C.**
- 24. Bateriju uvek punite na ambijentalnoj temperaturi od 0-40°C.**
Temperatura manja od 0°C rezultiraće prekomernim punjenjem koje je opasno. Baterija ne može da se puni na temperaturi većoj od 40°C.
Najpogodnija temperatura za punjenje je između 20-25°C.
- 25. Punjač nemojte da koristite neprestano.**
Kada završite s jednim punjenjem, ostavite punjač oko 15 minuta pre sledećeg punjenja baterije.
- 26. Nemojte dozvoliti da strani predmeti dospeju u otvor za priključivanje punjive baterije.**
- 27. Nikada nemojte da rastavljate punjivu bateriju ili punjač.**
- 28. Nikada nemojte da pravite kratak spoj na punjivoj bateriji.**
Izazivanje kratkog spoja će stvoriti jaku struju i pregrevanje. Posledice će biti opekotine ili oštećenje baterije.
- 29. Bateriju nemojte baciti u vatra.**
Baterija koju zahvati vatra može da eksplodira.
- 30. Korišćenjem baterije kojoj je istekao radni vek oštetićete punjač.**
- 31. Odnosite bateriju u prodavnicu u kojoj ste je kupili čim njeno trajanje nakon punjenja postane suviše kratko da bi mogla da se koristi.**
Bateriju kojoj je istekao radni vek nemojte da bacite.
- 32. Nemojte da gurate predmete u ventilacione otvore na punjaču.**
Guranjem metalnih ili zapaljivih predmeta u ventilacione otvore na punjaču nastaje opasnost od strujnog udara ili oštećenje punjača.
- 33. NIKADA ne dopustajte da magneti (ili slični magnetni uređaji) budu u blizini čekića za ukucavanje eksera, jer čekić za ukucavanje eksera ima magnetni senzor unutra.**
To će izazvati neispravnost ili rizik od povrede usled greške.
- 34. Mirovanje uređaja nakon neprekidnog rada.**
- 35. Električni alat je opremljen sa toplotnim zaštitnim kolom da bi se zaštitio motor.**
Kontinuiran rad može da izazove rast temperature uređaja, aktiviranje toplotnog zaštitnog kola i automatskog zaustavljanje rada. Ako se to desi, potrebno je sačekati da se električni alat ohladi pre upotrebe.
- 36. Ovaj proizvod može da prestane da radi kada se otkrije abnormalnost. U takvim slučajevima, proverite stavke navedene pod „REŠAVANJE PROBLEMA“ na strani 361.**

37. Nemojte jako udarati komandnu ploču ili je lomiti. To može prouzrokovati probleme.

38. Ne koristite proizvod ako su alat ili krajevi baterije (držač baterije) deformisani.

Postavljanje baterije bi moglo da izazove kratak spoj koji bi mogao da dovede do emisije dima ili paljenja.

39. Neka krajevi alata (držač baterije) budu bez opiljaka i prašine.

- Pre upotrebe, postarajte se da se opiljci i prašina ne sakupljaju u području krajeva.
- Tokom rukovanja, pokušajte da izbegnete da opiljci ili prašina sa alata padnu na bateriju.
- Kada obustavljate rad ili nakon korišćenja, ne ostavljajte alat na području gde može biti izložen opiljcima ili prašini. To bi moglo da izazove kratak spoj koji bi mogao da dovede do emisije dima ili paljenja.

UPOZORENJE O LITIJUM-JONSKOJ BATERIJI

Da bi joj se produžio radni vek, litijum-jonska baterija ima zaštitnu funkciju da bi se zaustavilo isticanje energije.

U dole opisanim slučajevima 1 do 3, kada koristite ovaj proizvod, motor može da se zaustavi čak i ako je prekidač pritisnut. Ovo nije kvar već rezultat rada zaštitne funkcije.

1. Motor se zaustavlja kada se baterija istroši.
U tom slučaju odmah je napunite.
2. Motor može da se zaustavi ako je alat preopterećen. U tom slučaju otpustite prekidač na alatu i uklonite uzroke preopterećenja. Nakon toga možete ponovo da ga koristite.
3. Ako se baterija pregreje usled rada pod preopterećenjem, napajanje iz baterije može biti obustavljeno.
U tom slučaju prestanite da koristite bateriju i ostavite je da se ohladi. Nakon toga možete ponovo da ga koristite.

Osim toga, molimo vas da obratite pažnju na sledeće upozorenje.

UPOZORENJE

Da biste sprečili svako curenje baterije, stvaranje toplote, ispuštanje dima, eksploziju ili prethodno paljenje, pridržavajte se sledećih mera predostrožnosti.

1. Pazite da se opiljci i prašina ne skupljaju na bateriji.
 - Tokom rada pazite da opiljci i prašina ne padaju na bateriju.
 - Pazite da se opiljci i prašina koji padaju na električni alat ne skupljaju na bateriji.
 - Nekorišćenu bateriju nemojte držati na mestu izloženom opiljcima i prašini.
 - Pre odlaganja baterije uklonite opiljke i prašinu koji mogu prionuti uz nju i nemojte je držati zajedno s metalnim predmetima (zavrtnji, ekseri itd).
2. Nemojte da probušite bateriju oštrim predmetom kao što je ekser, nemojte da je udarate čekićem, da stajete na nju, niti da je izlažete jakim udarcima.
3. Nemojte da koristite vidljivo oštećenu ili deformisanu bateriju.
4. Nemojte da koristite bateriju tako da joj polariteti budu obrnuti.
5. Nemojte direktno da je priključujete na električne utičnice ili na utičnicu za paljenje cigareta u automobilu.
6. Nemojte da koristite bateriju za namene za koje nije predviđena.
7. Ako se baterija ne napuni do kraja čak i kada prođe vreme predviđeno za punjenje, odmah prekinite daljnje punjenje.
8. Bateriju nemojte da izlažete visokim temperaturama ili jakim pritiskom, na primer stavljajući je u mikrotalasnu pećnicu, mašinu za sušenje ili posudu pod visokim pritiskom.
9. Držite je podalje od vatre čim primetite curenje ili osetite čudan miris.
10. Nemojte je koristiti na mestu gde dolazi do stvaranja jakog statičkog elektriciteta.

11. Ako baterija curi, stvara neugodan miris, zagreva se, menja boju ili oblik, ili ako na neki način izgleda neobično tokom upotrebe, punjenja ili skladištenja, odmah je uklonite iz opreme ili punjača i prestanite da je koristite.

12. Nemojte da potopite bateriju u vodu i nemojte da dozvolite da bilo kakva tečnost uđe u nju. Ulaz provodne tečnosti, kao što je voda, može da izazove štetu koja može da dovede do požara ili eksplozije. Čuvajte bateriju na hladnom, suvom mestu, podalje od zapaljivih predmeta. Korozivne gasne atmosfere moraju da se izbegnu.

OPREZ

1. Ako vam tečnost koja iscuri iz baterije dospe u oči, nemojte da trljate oči već ih dobro isperite čistom vodom, na primer vodom iz česme, i odmah se obratite lekaru. Ako se ne tretira, tečnost može da izazove probleme sa očima.
2. Ako vam tečnost iscuri na kožu ili odeću, odmah dobro operite čistom vodom, na primer vodom iz česme. Postoji mogućnost pojave iritacije kože.
3. Ako tokom prve upotrebe baterije primetite rđu, neugodan miris, gubitak boje, deformacije i/ili druge neregularnosti, nemojte da koristite bateriju i vratite je dobavljaču ili prodavcu.

UPOZORENJE

Ako provodljivi strani predmet dospe u terminal litijum-jonske baterije, to može da izazove kratak spoj i usled toga požar. Prilikom skladištenja litijum-jonske baterije, strogo se pridržavajte sledećih pravila.

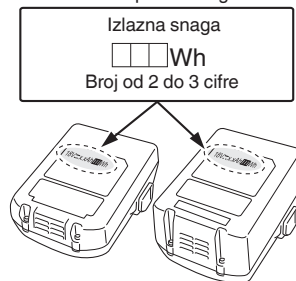
- U kutiji za čuvanje nemojte da stavljate provodljive otpatke, eksere i žicu, kao što je čelična i bakarna žica.
- Da biste sprečili pojavu kratkog spoja, bateriju stavite u alat ili dobro pričvrstite poklopac baterije za smeštanje sve dok ventilator ne počne da se vidi.

U VEZI TRANSPORTA LITIJUM-JONSKE BATERIJE

Kada transportujete litijum-jonsku bateriju, molimo da pošujete sledeća upozorenja.

UPOZORENJE

- Javite transportnoj kompaniji da paket sadrži litijum-jonsku bateriju, upoznajte kompaniju sa njenom snagom i pratite instrukcije transportne kompanije kada uređujete transport.
- Litijum-jonske baterije koje prelaze izlaznu snagu od 100 Wh se smatraju u klasifikaciji tereta kao opasne materije i zahtevaju primenu specijalnih procedura.
 - Za transport u inostranstvo, morate da pošujete međunarodne zakone i pravila i regulative ciljne države.





NAZIVI DELOVA (SI. 1 – SI. 28)








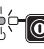












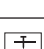
①	Gornji poklopac
②	Okidač
③	LED svetlo
④	Glava za kucanje (izlaz)
⑤	Poluga za guranje
⑥	Dodavač eksera (A)
⑦	Dodavač eksera (B)
⑧	Magazin
⑨	Kuka
⑩	Baterija
⑪	Poluga za zaključavanje prekidača
⑫	Ručka
⑬	Poluga za zaustavljanje
⑭	Prekidač indikatora baterije
⑮	Indikator baterije
⑯	Prekidač za rukovanje ukucavanjem
⑰	Indikator napajanja
⑱	Prekidač napajanja
⑲	Indikator rukovanja zakucavanjem
⑳	Parče eksera
㉑	Poklopac magazina
㉒	Žleb
㉓	Vođica oštrice
㉔	Regulator
㉕	Pločica za kuku
㉖	Prednji poklopac
㉗	Poluga za zaključavanje
㉘	Vodeća pločica

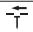

OZNAKE


UPOZORENJE

Ovde su prikazane oznake koje se koriste na mašini. Postarajte se da razumete njihovo značenje pre upotrebe.

	<p>NT 1865DBAL: Bežični završni čekić za ukucavanje eksera</p> <p>NT 1865DBSL: Bežični završni čekić za ukucavanje eksera</p> <p>NT 1850DBSL: Bežični čekić za ukucavanje sitnih eksera</p>
	Da bi se smanjio rizik od povreda, korisnik mora da pročita korisničko uputstvo.

	Samo za zemlje EU Nemojte odlagati električni alat zajedno sa smećem iz domaćinstva! Na osnovu Evropske direktive 2012/19/EU o dotrajaloj električnoj i elektronskoj opremi, kao i njene primene u skladu s državnim propisima, električni alat koji je došao do kraja svog radnog veka mora se prikupiti zasebno i odneti u postrojenje za reciklažu koje ispunjava ekološke zahteve.
	Direktna struja
	Uključiti
	Isključiti
	Isključivanje baterije
	Prekidač napajanja
	ISKLJUČEN prekidač napajanja
	UKLJUČEN prekidač napajanja Indikator napajanja: Zeleno svetlo
	Prekidač za rukovanje ukucavanjem
	MEHANIZAM PUNE AKTUACIJE SEKVENCIJANJA
	Režim PUNOG SEKVENTNOG MEHANIZMA AKTUACIJE Indikator rukovanja zakucavanjem: Plavo svetlo
	MEHANIZAM AKTUACIJE KONTAKTA
	Režim KONTAKTNOG MEHANIZMA AKTUACIJE Indikator rukovanja zakucavanjem: Trepće plavo
	Blokiranje okidača
	Odblokiran okidač
	Prekidač indikatora baterije
	Preostalo napajanje baterije je dovoljno Indikator baterije: 2 LED-a (crveno) svetlo
	Preostalo napajanje baterije je oko pola. Indikator baterije: 1 LED (crveno) svetlo
	Preostalo napajanje baterije je skoro prazno. Napunite bateriju što je pre moguće. Indikator baterije: 1 LED (crveno) treperi
	Kontaktirajte HiKOKI radi pregleda. Indikator baterije: 2 LED-a trepere u narandžastoj boji, nakon 10 sekundi, automatski se isključuje prekidač za napajanje.
	Plitka strana

	Duboka strana
	Upozorenje

	Zabranjena radnja
--	-------------------

SPECIFIKACIJE

1. Bežični završni čekić za ukucavanje eksera

Model	NT1865DBAL		NT1865DBSL	
Motor	DC bez četke		DC bez četke	
Primenljiv ekser	15 Ga (Ugao: 34°)		16 Ga	
Primenljiva dužina eksera	32 mm do 65 mm		25 mm do 65 mm	
Kapacitet punjenja eksera [ekseri]	100 (1 traka)		100 (2 trake)	
Režim kucanja	Pun sekvencijalni/Kontakt (moguće izabrati)		Pun sekvencijalni/Kontakt (moguće izabrati)	
Opseg ciklusa	[ekseri/sekunda]	3 (povremeni)		3 (povremeni)
Baterija	Model	BSL1830C	BSL1830C	BSL1850
	Tip	Li-jonska baterija		
	Napon	DC 18 V		
Težina*	3,5 – 4,1 kg		3,4 – 4,0 kg	
Dimenzija Visina x dužina x širina	344 mm x 300 mm x 104 mm		315 mm x 298 mm x 104 mm	315 mm x 310 mm x 104 mm

* U skladu sa EPTA-procedurom 01/2014

U zavisnosti od prikačene baterije. Najveća težina je izmerena sa BSL36B18 (prodaje se odvojeno).

2. Bežični čekić za ukucavanje sitnih eksera

Model	NT1850DBSL		
Motor	DC bez četke		
Primenljiv ekser	18 Ga		
Primenljiva dužina eksera	16 mm do 50 mm		
Kapacitet punjenja eksera [ekseri]	100 (1 traka)		
Režim kucanja	Pun sekvencijalni/Kontakt (moguće izabrati)		
Opseg ciklusa	[ekseri/sekunda]	3 (povremeni)	
Baterija	Model	BSL1830C	BSL1850
	Tip	Li-jonska baterija	
	Napon	DC 18 V	
Težina*	3,3 – 4,0 kg		
Dimenzija Visina x dužina x širina	323 mm x 298 mm x 104 mm	323 mm x 310 mm x 104 mm	

* U skladu sa EPTA-procedurom 01/2014

U zavisnosti od prikačene baterije. Najveća težina je izmerena sa BSL36B18 (prodaje se odvojeno).

3. Punjač baterije

Model	UC18YFSL	UC18YML2
Napon punjenja	DC 14,4 – 18 V	
Težina	0,5 kg	0,7 kg

NAPOMENA

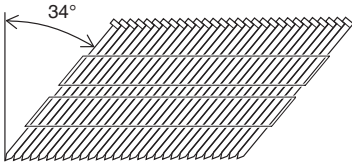
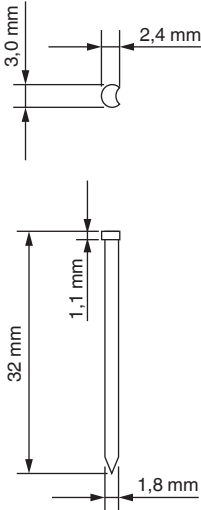

Zbog neprekidnog programa istraživanja i razvoja kompanije HiKOKI, ovde navedene specifikacije su podložne izmenama bez prethodnog obaveštenja.

IZBOR EKSERA

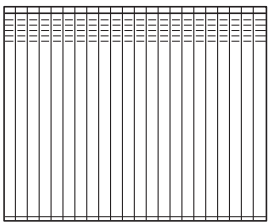
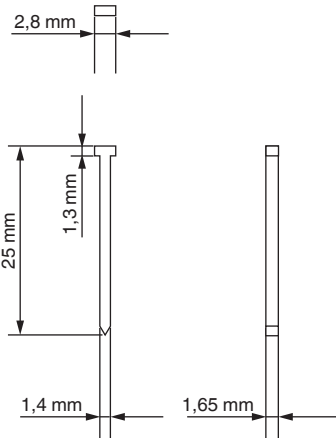

Samo ekseri prikazani u tabeli ispod mogu da se ukucaju sa ovim čekićem za ukucavanje eksera.

Dimenzije eksera

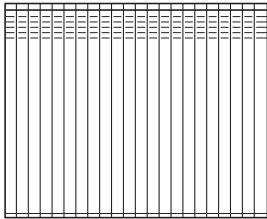
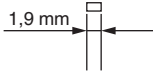
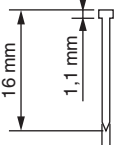
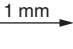

<NT1865DBAL>

	Min.	Maks.
<p>15 kalibarskih završnih eksera (Ugao: 34°)</p> 		

<NT1865DBSL>

	Min.	Maks.
<p>16 kalibarskih završnih eksera (ravno)</p> 		

<NT1850DBSL>

	Min.	Maks.
<p>18 kalibarskih sitnih eksera (ravno)</p> 	  	
	Isključujući eksere dužine 35 mm	

STANDARDNI PRIBOR

Osim glavnog uređaja (1 uređaj), u pakovanju se nalazi i pribor koji je naveden na strani 378.

Standardni pribor je podložan izmenama bez prethodnog obaveštenja.

PRIMENE

<NT1865DBAL, NT1865DBSL>

- Ukucavanje kao završni proces za područja oko vrata, prozora kao i ivica.
 - Pričvršćavanje dna ladica. Izrada različitih kutija i ormara.
- <NT1850DBSL>
- Sklapanje ormara i okvira slika, oblaganje nameštaja.
 - Oblaganje i uobličavanje na lokaciji i mobilnih kuća.

PUNJENJE

Pre upotrebe električnog alata napunite bateriju kako je opisano.

1. Priključite na izvor napajanja (sl. 3).

Kada punite bateriju pomoću AC izvora napajanja

- Priključite kabl punjača u utičnicu.
Kada gurnete utikač punjača u utičnicu, kontrolna lampica će početi da treperi crvenom bojom (u intervalima od 1 sekunde).

OPREZ

Nemojte da koristite električni kabl ako je oštećen.
Odmah ga popravite.

Prilikom punjenja baterije pomoću 12V DC preko izvora napajanja u automobilu (UC18YML2)

- Pričvrstite punjač baterije na nekom mestu u automobilu.
Pomoću trake koju ste dobili uz punjač baterije pričvrstite punjač na nekom mestu da biste onemogućili da se slučajno pomeri (vidite sl. 28)

OPREZ

Nemojte da stavite punjač baterije ili bateriju ispod vozačevog sedišta. Pričvrstite punjač baterije na nekom mestu da biste onemogućili da se slučajno pomeri jer to može da prouzrokuje nezgodu.








Sl. 28







- Stavite priključak upaljača za cigarete u utičnicu upaljača za cigarete.
Ako utikač ne stoji čvrsto i ispada iz utičnice upaljača za cigarete, popravite utičnicu. Budući da je utičnica možda pokvarena, preporučujemo vam da se obratite lokalnom prodavcu vozila. Ako nastavite da koristite utičnicu, to može dovesti do nezgode usled pregrevanja.
2. **Stavite bateriju u punjač.**
Bateriju stavite u punjač tako da čvrsto stoji u njemu dok je linija vidljiva, kao što je prikazano na i tako da dodiruje dno punjača kao što je prikazano na **Sl. 3**.
Linije nisu prikazane na UC18YFSL. Postarajte se da baterija bude čvrsto pričvršćena.
 3. **Punjenje**
Kada stavite bateriju u punjač započeće se s punjenjem, a kontrolna lampica će neprestano svetleti crveno.
Kada se baterija potpuno napuni, kontrolna lampica će početi da treperi crveno (u intervalima od 1 sekunde) (vidite **Tabelu 1**).
- (1) Pokazivanja kontrolne lampice
Pokazivanja kontrolne lampice objašnjena su u **Tabeli 1** i to na osnovu stanja punjača ili punjive baterije.

Tabela 1

<UC18YFSL>

Pokazivanja kontrolne lampice				
Kontrolna lampica (crvena)	Pre punjenja	Treperi	Svetli 0,5 sekundi. Ne svetli 0,5 sekundi. (isključena je 0,5 sekundi) 	/
	Tokom punjenja	Svetli	Neprestano svetli 	
	Punjenje je završeno	Treperi	Svetli 0,5 sekundi. Ne svetli 0,5 sekundi. (isključena je 0,5 sekundi) 	
	Mirovanje izazvano pregrevanjem	Treperi	Svetli 1 sekundu. Ne svetli 0,5 sekundi. (isključena je 0,5 sekundi) 	Baterija je pregrejana. Punjenje nije moguće. (Punjenje će započeti kada se baterija ohladi.)
	Punjenje nije moguće	Treperi	Svetli 0,1 sekundu. Ne svetli 0,1 sekundu (isključena je 0,1 sekundi) 	Kvar baterije ili punjača

<UC18YML2>

Pokazivanja kontrolne lampice				
Kontrolna lampica se pali ili treperi crveno.	Pre punjenja	Treperi	Svetli 0,5 sekundi. Ne svetli 0,5 sekundi (isključena je 0,5 sekundi). 	/
	Tokom punjenja	Svetli	Neprestano svetli 	
	Punjenje je završeno	Treperi	Svetli 0,5 sekundi. Ne svetli 0,5 sekundi (isključena je 0,5 sekundi). 	
	Punjenje nije moguće	Treperi	Svetli 0,1 sekundu. Ne svetli 0,1 sekundu (isključena je 0,1 sekundu). 	Kvar baterije ili punjača
Kontrolna lampica se pali ili treperi zeleno.	Mirovanje izazvano pregrevanjem	Svetli	Neprestano svetli 	Baterija je pregrejana. Punjenje nije moguće. (Punjenje će započeti kada se baterija ohladi.)
	Punjenje preko izvora napajanja u automobilu nije moguće	Treperi	Svetli 0,5 sekundi. Ne svetli 0,5 sekundi (isključena je 0,5 sekundi). 	DC 12 V napajanje je neispravno

NAPOMENA: Tokom mirovanja radi hlađenja baterije, UC18YML2 hladi pregrejanu bateriju pomoću ventilatora. (Međutim, ventilator ne radi kada se baterija puni pomoću 12 V DC iz izvora napajanja u automobilu.)

- (2) U vezi sa temperaturama punjive baterije
Temperature punjivih baterija prikazane su kao što je prikazano u **Tabeli 2**, a baterije koje su postale vruće treba da se hlade izvesno vreme pre ponovnog punjenja.

Tabela 2 Rasponi punjenja baterija

Punjive baterije	Temperature pri kojima baterija može da se puni
BSL1830C, BSL1850	0°C – 50°C

- (3) Informacije o vremenu punjenja
U zavisnosti od kombinacije punjača i baterija, vreme punjenja će biti kako je prikazano u **Tabeli 3**.

Tabela 3 Vreme punjenja (na 20°C)
(AC dovod napajanja/DC 12 V (u autu) dovod napajanja)

Baterija \ Punjač	UC18YFSL	UC18YML2
BSL1830C	Oko 45 min	Oko 45/120 min
BSL1850	Oko 75 min	Oko 75/200 min

NAPOMENA

Vreme punjenja može da varira u zavisnosti od temperature okoline i napona izvora napajanja.

<UC18YML2>

Posebno je za punjenje od 12V DC preko izvora napajanja u automobilu potrebno više vremena na visokim temperaturama.

OPREZ

Punjač baterije će se zagrejati kada se neprestano koristi, što može da bude uzrok kvarova. Kada se punjenje završi, ostavite da prođe 15 minuta do sledećeg punjenja.

4. Izvucite kabl punjača iz utičnice ili iz utičnice upaljača za cigarete.**5. Čvrsto držite punjač i izvucite bateriju.****NAPOMENA**

Obavezno izvadite bateriju iz punjača nakon punjenja i zatim je odložite.

Što se tiče električnog pražnjenja u slučaju novih baterija, itd.

Pošto se interna hemijska supstanca novih baterija i baterija koje se dugo vremena nisu koristile nije aktivirala, električno pražnjenje će možda biti nisko kada se koriste prvi i drugi put. Ovo je trenutni fenomen, normalno vreme koje je neophodno za punjenje će se povratiti punjenjem baterija 2 – 3 puta.

Šta uraditi da baterija duže traje.

- (1) Napunite baterije pre nego što se u potpunosti istroše. Kada vidite da napon alata postaje slabiji, prestanite da koristite alat i napunite bateriju. Ako nastavite da koristite alat i istrošite električnu struju, baterija će možda biti oštećena i njeno trajanje će biti kraće.
- (2) Izbegavajte punjenje pri visokim temperaturama. Punjiva baterija će biti vruća odmah nakon upotrebe. Ako se takva baterija napuni odmah nakon upotrebe, njena interna hemijska supstanca će se pogoršati i njen vek trajanja će se smanjiti. Ostavite bateriju i napunite je nakon što se ohladi.

OPREZ

- Ako se baterija puni dok je još uvek topla, zato što je dugo stajala na mestu izloženom direktnoj sunčevoj svetlosti ili zato što je upravo bila korišćena, kontrolna lampica na punjaču će zasvetleti 1 sekundu i zatim neće svetleti 0,5 sekundi (biće isključena 0,5 sekundi) (UC18YFSL) ili će se upaliti zelena. (UC18YML2). U tom slučaju, prvo ostavite bateriju da se ohladi, a zatim započnete punjenje.
- Kada kontrolna lampica treperi crveno (u intervalima od 0,2 sekunde), proverite da li u priključku za bateriju na punjaču ima stranih predmeta i ako ih ima uklonite ih. Ako nema stranih predmeta, verovatno su baterija ili punjač u kvaru. Odnosite ih u ovlašćeni servis.
- Budući da je ugrađenom mikro računaru potrebno oko 3 sekunde da potvrdi da je baterija koja se puni sa UC18YFSL/UC18YML2 izvađena, sačekajte najmanje 3 sekunde pre nego što je ponovo stavite u punjač kako biste nastavili sa punjenjem. Ako bateriju ponovo stavite u roku od 3 sekunde, možda se neće ispravno napuniti.
- Proverite napon izvora napajanja u automobilu kada kontrolna lampica treperi zeleno (u intervalima od 1 sekunde). (UC18YML2)
Ako je napon 12V ili manje, to znači da je baterija u automobilu oslabila i da ne može biti napunjena.
- Ako kontrolna lampica ne treperi crveno (svake sekunde), čak i ako je kabl punjača ili utikač za priključivanje upaljača za cigarete priključen na napajanje, to znači da je aktivirano zaštitno kolo punjača.
Uklonite kabl ili utikač s napajanja i zatim ga ponovo priključite nakon otprilike 30 sekundi. Ako ni to ne prouzrokuje da kontrolna lampica treperi crveno (svake sekunde), odnesite punjač u ovlašćeni servis kompanije HIKOKI.

PRE UPOTREBE

Postupak	Broj	Strana
Uklanjanje i stavljanje baterije	2	379
Punjenje	3	380
Odabir pribora	—	385

1. Kako upravljati radnom pločom

- (1) UKLJUČEN prekidač za napajanje (pogledajte **SI. 4**)
Pod uslovom „ISKLUČIVANJA prekidača napajanja“, gurnite i držite prekidač napajanja duže od 1 sekunde, zatim će se indikator napajanja upaliti zeleno.

NAPOMENA

Ne pritiscajte polugu za guranje i/ili povucite okidač u toku procesa UKLJUČIVANJA prekidača za napajanje.

To će sprečiti da se prekidač za napajanje UKLJUČI.

[Auto-napajanje isključeno]

Kada je napajanje uključeno ali se čekić za ukucavanje eksera ne koristi 30 minuta, čekić za ukucavanje eksera se automatski isključuje. Da biste ga ponovo uključili, pritisnite prekidač za napajanje.

UPOZORENJE

Nikada ne ostavljajte čekić za ukucavanje eksera uključen. To može da dovede do nesreće.

(2) ISKLJUČEN prekidač za napajanje (pogledajte **SI. 4)**

Pod uslovom „UKLJUČIVANJA prekidača napajanja“, gurnite i držite prekidač napajanja duže od 1 sekunde, zatim će se indikator napajanja isključiti.

Pod uslovom „UKLJUČIVANJA prekidača za napajanje“, funkcije ispod su aktivne.

- (3) Izaberite režim rada ukucavanja (Potpuno sekvencijalna akcija/Kontaktna akcija)
Nakon UKLJUČIVANJA prekidača za napajanje, uvek podesite režim pune sekvencijalne akcije kao početni. (Indikator operacije ukucavanja svetli plavom bojom.) (Vidite **SI. 5**)

Da biste promenili režim rada ukucavanja, jednom pritisnite prekidač rada ukucavanja. Svakim guranjem režim će se promeniti između „Pun sekvencijalan“ i „Kontakt“. (Vidite **SI. 6**)


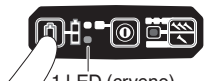

Osvetljenje (plavo):

MEHANIZAM PUNE AKTUACIJE SEKVENCIJANJA,

Trepće (plavo):

MEHANIZAM AKTUACIJE KONTAKTA

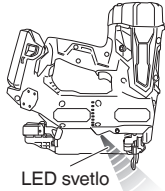

- (4) Proverite preostali nivo baterije
Kada pritisnete prekidač indikatora baterije, indikator baterije prikazuje preostali nivo baterije putem statusa LED lampe ispod.

Status indikatora	
 <p>2 LED-a (crveno) svetlo</p>	Preostalo napajanje baterije je dovoljno.
 <p>1 LED (crveno) svetlo</p>	Preostalo napajanje baterije je oko pola.
 <p>1 LED (crveno) treperi</p>	Preostalo napajanje baterije je skoro prazno. Napunite bateriju što je pre moguće.

Srpski

(5) Druge funkcije

U slučaju greške u radu, LED lampe prikazuju kao ispod.

Status indikatora	
 <p>LED svetlo</p> <p>LED lampa trepće u intervalu.</p> <ul style="list-style-type: none">• U slučaju preteranog zagrevanja, trepće u intervalu od 1 sekunde.• U slučaju preteranog hlađenja, trepće u intervalu od 0,5 sekundi. <p>Nakon 10 sekundi, automatski isključite LED svetlo i prekidač za napajanje.</p>	<p>Mašina je u previše hladnom (ispod -5°C ili previše toplom okruženju. Ostavite da se čekić za ukucavanje eksera ohladi ili zagreje u potpunosti pod adekvatnim uslovima.</p>
 <p>2 LED-a trepere u narandžastoj boji, nakon 10 sekundi, automatski se isključuje prekidač za napajanje.</p>	<p>Kontaktirajte HiKOKI radi pregleda.</p>

(6) Kako se koristi LED svetlo (pogledajte SI. 7)

Dok je prekidač napajanja uključen, LED svetlo će automatski osvetliti vrh dela alata.


OPREZ



- Ne izlazite oko direktno svetlosti tako što ćete gledati u svetlo.
Ako je vaše oko neprekidno izloženo svetlosti, vaše oko će se povrediti.
- Obrisite bilo koju prašinu ili prljavštinu na sočivo LED svetla sa mekom krpom, pazite da ne ogrebetete sočivo. Ogrebotine na sočivu LED svetla mogu da dovedu do smanjene svetline.

2. Mehanizam za blokiranje okidača (pogledajte SI. 8) UPOZORENJE

Postarajte se da je okidač blokiran kada ne ukucavate eksere.

Ovaj čekić za ukucavanje eksera ima mehanizam za zaključavanje za sprečavanje da se ekseri ukucaju.

Podesite polugu prekidača za blokiranje na  poziciju da biste blokirali okidač.

Pomerite polugu za blokiranje prekidača na  poziciju kada čekić za ukucavanje eksera treba da se koristi i na  poziciju kada se ne koristi.

3. Testiranje čekića za ukucavanje eksera

UPOZORENJE

- Postarajte se da je okidač blokiran kada ne ukucavate eksere. (Vidite SI. 8)
- Nikada ne koristite čekić za ukucavanje eksera osim ako poluga za guranje ne radi pravilno.
NT1865DBAL i NT1865DBSL primenjuju preventivni mehanizam za rukovanje bez punjenja.
NT1865DBAL i NT1865DBSL ulaze u stanje gde poluga za guranje ne može da se gurne na gore. Ovo se dešava kada magacin nije napunjen ekserima ili preostali broj eksera postane manji od 6 ili 9.

OPREZ

Budite oprezni da ne bacite vrh poluge za guranje na drvo.

Pre nego što započnete rad ukucavanja, testirajte čekić za ukucavanje eksera koristeći kontrolnu listu ispod. Sprovedite testove sledećim redom.

Ako dođe do neobičajenog rada, prestanite da koristite čekić za ukucavanje eksera i odmah kontaktirajte HiKOKI ovlašćeni servisni centar.

(1) UKLONITE SVE EKSERE I BATERIJU IZ ČEKIĆA ZA UKUCAVANJE EKSERA.

SVI ŠRAFOVI MORAJU DA SE ZAŠRAFE.

POLUGA ZA GURANJE I OKIDAČ MORAJU GLATKO DA SE POKREĆU uz povlačenje dodavaoca za eksere (B). (NT1850DBSL: Nije neophodno vući dodavač za eksere)

(2) Instaliranje baterije.

Ne rukujte polugom za guranje niti sa okidačem dok instalirate bateriju. (Vidite SI. 2)

(3) Uključite prekidač za napajanje. (Vidite SI. 1)

Uključite prekidač za napajanje gurajući i držeći prekidač za napajanje više od 1 sekunde.

Postarajte se da indikator za napajanje svetli zelenom bojom a indikator rukovanja kucanja svetli u plavoj. (PUNI SEKVENTNI MEHANIZAM AKTUACIJE)

NAPOMENA

Ne pritisajte polugu za guranje i/ili povucite okidač u toku procesa UKLJUČIVANJA prekidača za napajanje.

To će sprečiti da se prekidač za napajanje UKLJUČI.

[Auto-napajanje isključeno]

Kada je napajanje uključeno ali se čekić za ukucavanje eksera ne koristi 30 minuta, čekić za ukucavanje eksera se automatski isključuje. Da biste ga ponovo uključili, pritisnite prekidač za napajanje.

UPOZORENJE

Nikada ne ostavljajte čekić za ukucavanje eksera uključen. To može da dovede do nesreće.

Indikator rukovanja zakucavanjem

Osvetljenje (plavo):

MEHANIZAM PUNE AKTUACIJE SEKVENCIRANJA,

Trepće (plavo):

MEHANIZAM AKTUACIJE KONTAKTA

Postarajte se da indikator baterije ne treperi.

Ako indikator baterije treperi crveno, baterija nema dovoljno napajanja i treba da se napuni.

(4) Sklonite prst sa okidača i pritisnite polugu za guranje naspram radnog dela gurajući unazad dodavaoca eksera (B).

ČEKIĆ ZA UKUCAVANJE EKSERA NE SME DA RADI.

(5) Odvojite polugu za guranje od radnog dela.

Zatim, usmerite čekić za ukucavanje eksera na dole, gurajući unazad dodavaoca eksera (B), povucite okidač a zatim sačekajte u toj poziciji 5 sekundi ili duže.

ČEKIĆ ZA UKUCAVANJE EKSERA NE SME DA RADI.

(6) Bez dodirivanja okidača, pritisnite polugu za guranje naspram radnog dela gurajući unazad dodavaoca eksera (B).

Zatim, povucite okidač.

ČEKIĆ ZA UKUCAVANJE EKSERA MORA DA RADI.

② Držite okidač unazad i ponovo pritisnite polugu za guranje naspram radnog dela.

□ ČEKIĆ ZA UKUCAVANJE EKSERA NE SME DA RADI.

③ Odvojite prst od okidača. Zatim, ① ponovo radi.

□ ČEKIĆ ZA UKUCAVANJE EKSERA MORA DA RADI.

(7) Odvojite polugu za guranje sa radnog dela, povucite okidač. Pritisnite polugu za guranje naspram radnog dela u roku od 2 sekunde.

□ ČEKIĆ ZA UKUCAVANJE EKSERA NE SME DA RADI.

(8) Podesite indikator rukovanja zakucavanjem na režim UKLUČENO treperenja. (KONTAKTNI MEHANIZAM AKTUACIJE)

Gurnite prekidač rukovanja ukucavanja jednom, postarajte se da indikator treperi plavo. Odvojite polugu za guranje sa radnog dela, povucite okidač.

Pritisnite polugu za guranje naspram radnog dela u roku od 2 sekunde.

□ ČEKIĆ ZA UKUCAVANJE EKSERA MORA DA RADI.

(9) Ako ne primetite nenormalno rukovanje, možete da napunite eksere u čekić za ukucavanje eksera.

Ukucajte eksere u radni deo koji je isti tip za korišćenje u pravoj aplikaciji.

□ ČEKIĆ ZA UKUCAVANJE EKSERA MORA PRAVLINO DA RADI.

4. Proveravanje rukovanja poluge za guranje

UPOZORENJE

Postarajte se da je okidač blokiran kada ne ukucavate eksere.

Uvek se postarajte da okidač bude zabavljen a baterija uklonjena sa alata za napajanje kada proveravate rukovanje poluge za guranje.

Proverite da biste se uverili da li poluga za guranje glatko klizi kada se njome rukuje.

Očistite klizno područje na poluzi za guranje ako ne klizi glatko.

5. Ubacite eksere

UPOZORENJE

Kada se ubacuju ekseri u čekić za ukucavanje eksera,

- 1) uklonite bateriju iz čekića za ukucavanje eksera;
- 2) ne vucite okidač;
- 3) ne pritisnjajte polugu za guranje; i
- 4) držite čekić za ukucavanje eksera ka dole.

<NT1865DBAL, NT1865DBSL>

2-radnja dodavanja eksera!

(1) Umetnite traku eksera u pozadinu magazina. (Vidite SI. 9)

(2) Gurnite graku eksera ka magazinu. (Vidite SI. 10)

(3) Gurnite dodavalac eksera (A) da biste pokrenuli dodavalac eksera (B) u traku eksera. (Vidite SI. 11)

NAPOMENA

○ Tiho gurnite dodavalac eksera (A) i dodavalac eksera (B) naspram eksera.

Ako su dodavalac eksera (A) i dodavalac eksera (B) otpušteni iz pozadine magazina i udaraju naspram eksera, povezujući lepak eksera može da se ošteti.

○ Koristite traku za eksere za više od 10 eksera.

○ Koristite nesavijenu traku eksera sa ekserima iste dužine.

Čekić za ukucavanje eksera je sada spreman za rad.

Uklanjanje eksera:

① Povucite dodavaoca eksera (B) unazad. (Vidite SI. 12)

② Vratite dodavalac eksera (B) nežno ka napred dok gurate dodavalac eksera (A).

③ Izvucite eksere sa zadnje strane magazina. (Vidite SI. 13)

<NT1850DBSL>

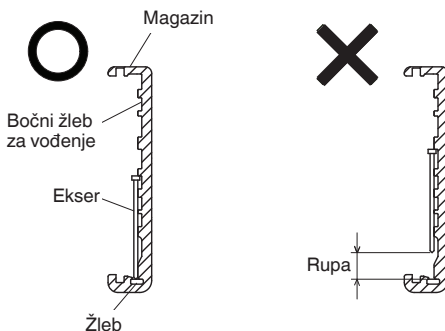
(1) Nežno pritisnite polugu za zaustavljanje i nežno izvucite poklopac magazina. (Vidite SI. 14)

(2) Postavite traku eksera u magazin i držite vrhove eksera u kontakt sa žlebom. (Vidite SI. 15)

NAPOMENA

Ekseri prikazani na stranici 353 mogu da se ubace u bočni žleb vodice magazina bez bilo kakvog prilagođavanja.

Uvek držite vrhove eksera u kontaktu sa vodicom.



(3) Gurnite traku eksera u vodicu sečiva. (Vidite SI. 16)

(4) Potvrdite da li je traka eksera postavljen sa bočnim žljebovima vodice i vodice na odgovarajući način, zatim gurnite poklopac magazina ka napred kako bi se zabravio.

KAKO KORISTITI ČEKIĆ ZA UKUCAVANJE EKSERA

UPOZORENJE

○ NIKADA ne usmeravajte alat ka sebi ili drugima u području rada.

○ Držite prste PODALJE od okidača kada ne ukucavate eksere da biste izbegli slučajno ukucavanje.

○ Nemojte da koristite električni kabl ako je oštećen. Odmah ga popravite.

○ Važan je izbor metode pokretanja.

○ Molimo vas da pročitate i razumete „1. Procedure ukucavanja“ koje se nalaze ispod.

○ Pre početka rada, proverite uređaj za prebacivanje rukovanja ukucavanjem.

Ovaj HiKOKI čekić za ukucavanje eksera uključuje uređaj za prebacivanje rukovanjem ukucavanja.

Pre početka rada, postarajte se da uređaj za prebacivanje bude pravilno podešen.

Ako uređaj za prebacivanje nije pravilno podešen, čekić za ukucavanje eksera neće pravilno raditi.

○ Nikada ne stavljajte lice, ruke ili noge u blizinu glave za ispaljivanje kada se koristi.

○ Ne ukucavajte eksere povrh drugih eksera niti sa čekićem za ukucavanje eksera pri previše tupom uglu; ekseri mogu da se odbiju i nekoga povrede.

○ Ne ukucavajte eksere u tanke ploče ili blizu uglova radnog dela. Ekseri mogu da se ukucaju kroz ili od radnog dela i da udare nekog.

Srpski

- Nikada ne ukucavajte ekserne sa obe strane zida u isto vreme. Nokti mogu da se ukucaju u i kroz zid i da udare osobu sa suprotne strane.
- Nikada ne koristite čekić za ukucavanje eksersa koji je neispravan ili nepravilno radi.
- Ne koristite čekić za ukucavanje eksersa kao pravi čekić.
- Uklonite sve preostale pričvršćivače i bateriju sa čekića za ukucavanje eksersa kada:
 - 1) se održava i proverava;
 - 2) se proverava pravilno rukovanje poluge za guranje i okidača;
 - 3) se kači ili uklanja prednji poklopac;
 - 4) čistite zaglavljenje;
 - 5) se ne koristi;
 - 6) se napušta područje rada;
 - 7) se seli na drugu lokaciju; i
 - 8) predaje se drugoj osobi.
- Uklonite bateriju iz čekića za ukucavanje eksersa kada:
 - 1) punite ekserne;
 - 2) okrećete regulator.

Ovaj HiKOKI čekić za ukucavanje eksersa je opremljen sa uređajem za prebacivanje rukovanjem ukucavanja.

Koristite MEHANIZAM PUNE AKTUACIJE SEKVENCIRANJA ili MEHANIZAM AKTUACIJE KONTAKTA u skladu sa radom koji se vrši.

Objašnjenje različitih radnji ukucavanja

- PUNI SEKVENTNI MEHANIZAM AKTUACIJE:

Prvo, pritisnite polugu za guranje naspram drveta; zatim, povucite okidač da biste ukucali ekser.

Pratite istu sekvencu da biste nastavili da ukucavate ekserne.

Nakon jednog zakucavanja eksersa, zakucavanje više neće biti moguće sve dok ne uklonite prst sa okidača i potpuno ne podignete alat sa drvene površine.

- KONTAKTNI MEHANIZAM AKTUACIJE: KONTAKTNA AKTUACIJA može da sledi dve različite sekvence, u zavisnosti od vašeg korišćenja. Za ukucavanje nekoliko eksersa:

1. Povucite okidač.
2. Pritisnite polugu za guranje naspram drveta da ukucavate eksera.
3. Ako se okidač zadrži, ekser će se ukucati svaki put kada se poluga za guranje pritisne naspram drveta.

Za ukucavanje jednog eksersa:

1. Pritisnite polugu za guranje naspram drveta.
2. Povucite okidač za ukucavanje eksersa.
3. Uklonite vaš prst sa okidača i uklonite čekić za ukucavanje eksersa sa drveta.

[Mehanizam za blokiranje suvog požara]

NT1865DBAL i NT1865DBSL primenjuju preventivni mehanizam za rukovanje bez punjenja. NT1865DBAL i NT1865DBSL ulaze u stanje gde poluga za guranje ne može da se gurne na gore. Ovo se dešava kada magazin nije napunjen ekserima ili da preostali broj eksersa postane manji od 6 ili 9.

OPREZ

Obratite pažnju da se gurate vrh poluge za guranje na drvo kada poluga za guranje ne može da se gurne na gore.

1. Procedure ukucavanja

Ovaj čekić za ukucavanje eksersa je opremljen sa polugom za guranje i ne radi ako se poluga za guranje istisne.

Postoje dve metode rukovanja za ukucavanje eksersa sa čekićem za ukucavanje eksersa.

To su:

1. Naizmjenično rukovanje (okidanje požara):
2. Neprekidna radnja (okidanje poluge za guranje):

- (1) Naizmjenično rukovanje (paljba na okidač)
Koristite podešavanje PUNOG SEKVENTNOG MEHANIZMA AKTUACIJE. (Vidite **SI. 17**)

UPOZORENJE

- Za naizmjenično rukovanje, podesite prekidač radnje zakucavanja na PUNI SEKVENTNI MEHANIZAM AKTUACIJE (Indikator rukovanja zakucavanjem svetli plavo.) (npr. podesite MEHANIZAM SA JEDNOM AKTUACIJOM.)

- Za izbegavanje duplog okidanja ili slučajnog okidanja usled paljenja zbog povratnog udara.

- 1) Podesite PUNI SEKVENTNI MEHANIZAM AKTUACIJE.

- 2) Brzo i čvrsto povucite okidač.

- ① Podesite prekidač radnje ukucavanja na PUNI SEKVENTNI MEHANIZAM AKTUACIJE (Indikator rukovanja zakucavanjem svetli plavo.) (za podešavanje PUNOG SEKVENTNOG MEHANIZMA AKTUACIJE).

(Podesite uređaj za prebacivanje na indikatorsku svetlost rukovanja ukucavanjem u plavom režimu kao što je prikazano na **SI. 17**. U suprotnom, biće podešen na KONTAKTNI MEHANIZAM AKTUACIJE.)

- ② Pozicionirajte izlaz eksersa na radnom delu uz prst sa okidača.

- ③ Čvrsto pritisnite polugu za guranje dok je u potpunosti pritisnut.

- ④ Povucite okidač za ukucavanje eksersa.

- ⑤ Uklonite prst sa okidača i skroz podignite alat sa drvene površine.

Za nastavljajući ukucavanja na posebnoj lokaciji, pomerite čekić za ukucavanje eksersa pored drveta, ponavljajući korake ② - ⑤ po potrebi.

NAPOMENA

Operacije ③ i ④ treba da se izvrše u roku od 2 sekunde jedna od druge. Ako prođe više od 2 sekunde nakon ③, čekić za ukucavanje eksersa neće pravilno raditi. Ako se to desi, ponovo pokušajte sa ③.

- (2) Neprekidna radnja (paljba polugom na guranje)
Korišćenje KONTAKTNOG MEHANIZMA AKTUACIJE (pogledajte **SI. 18**)

UPOZORENJE

Za izbegavanje duplog okidanja ili slučajnog okidanja usled paljenja zbog povratnog udara.

- 1) Ne pritisnite čekić za ukucavanje eksersa naspram drveta koristeći preteranu snagu.

- 2) Odvojite čekić za ukucavanje eksersa od drveta jer ima povratni udar nakon ukucavanja.

- ① Podesite prekidač radnje ukucavanja na KONTAKTNI MEHANIZAM AKTUACIJE (Indikator rukovanja zakucavanjem svetli plavo.) (za postavljanje KONTAKTNOG MEHANIZMA AKTUACIJE).

(Podesite uređaj za prebacivanje na indikator treperenja rukovanja ukucavanjem u plavom kao što je prikazano na **SI. 18**. U suprotnom, neće pravilno raditi.)

- ② Povucite okidač sa čekićem za ukucavanje eksersa koji nije u radnom delu.

- ③ Pritisnite polugu za guranje naspram radnog dela za ukucavanje eksersa.

- ④ Pomerite čekić za ukucavanje eksersa pored radnog dela uz odskočni pokret.

Svako udubljenje poluge za guranje će ukucati ekser.

Čim se željeni broj eksersa ukuca, uklonite prst sa okidača.

NAPOMENA

Operacije ② i ③ treba da se izvrše u roku od 2 sekunde jedna od druge. Ako prođe više od 2 sekunde nakon ②, čekić za ukucavanje eksersa neće pravilno raditi. Ako se to desi, ponovo pokušajte sa ②.

UPOZORENJE

- Držite prst van okidača osim u toku rukovanja ukucavanjem, jer može da dođe do ozbiljne povrede ako poluga za guranje slučajno dođe u kontakt sa vama ili drugima u radnom području.

- Neka ruke i telo budu podalje od područja za ispuštanje. Ovaj HiKOKI čekić za ukucavanje eksera može da odskoči od povratnog udara ukucavanja eksera i neželjeni naknadni ekser može da se ukuca, što može da uzrokuje povredu.

NAPOMENA

- Ako se prate sva upozorenja i uputstva, bezbedno rukovanje je moguće sa sva dva sistema: PUN MEHANIZAM SEKVENCIJALNE AKTUACIJE, MEHANIZAM AKTUACIJE KONTAKTA.
- Uvek pažljivo rukujte ekserima i pakovanjem. Ako se ekseri ispuste, može se pukne veza za poravnavanje, što će izazvati pogrešno dodavanje i zaglavljivanje.
- Posle ukucavanja:

- 1) uklonite bateriju iz čekića za ukucavanje eksera;
- 2) uklonite sve eksere iz čekića za ukucavanje eksera;

2. Podešavanje dubine ukucavanja

Da biste se postarali da svaki ekser proдре do iste dubine, postarajte se da se čekić za ukucavanje eksera uvek čvrsto drži naspram radnog dela.

Ako se ekseri ukucaju previše duboko ili plitko u radni deo, prilagodite ukucavanje po sledećem redosledu.

- ① Uklonite bateriju iz čekića za ukucavanje eksera.
- ② Ako su ekseri ukucani previše duboko, okrenite regulator na plitku stranu. (Vidite **SI. 19**)
Podešavanja su u polukružnim koracima.
Ako su ekseri ukucani previše plitko, okrenite regulator na duboku stranu. (Vidite **SI. 20**)
- ③ Prestanite da okrećete regulator kada se dostigne odgovarajuća pozicija za testiranje ukucavanja.
- ④ Povežite bateriju na čekić za ukucavanje eksera. **UVEK NOSITE BEZBEDNOSNE NAOČARI.**
Izvršite test ukucavanja.

- ⑤ Uklonite bateriju iz čekića za ukucavanje eksera.
- ⑥ Izaberite odgovarajuću poziciju za regulator.

3. Korišćenje kuke (pogledajte sliku 21, 22, 23)

UPOZORENJE

Kada koristite kuku, isključite prekidač napajanja (zeleno svetlo „ISKLJUČENO“). Obratite dovoljno pažnje na to da glavna oprema ne padne.

Ako alat padne, postoji rizik od nesreće.

Kuka može da se instalira na levoj ili desnoj strani. (isključujući NT1865DBAL)

- ① Uklonite bateriju, zatim uklonite sve preostale eksere iz magazina.
- ② Čvrsto držite glavnu jedinicu i uklonite šraf koristeći šrafciğer. (Vidite **SI. 21**)
- ③ Skinite kuku i ploču kuke. (Vidite **SI. 22**)
- ④ Instalirajte kuku na drugu stranu i čvrsto pričvrstite šrafom. (Vidite **SI. 23**)

NAPOMENA

Kuka može da se koristi kao vešalica.

4. Korišćenje prednjeg poklopca (pogledajte SI. 24, 25)

UPOZORENJE

Kada kačite ili skidate prednji poklopac, postarajte se da uklonite prst sa okidača i da uklonite sve preostale pričvršćivače i bateriju iz čekića za ukucavanje eksera.

Ako želite da zaštitite površinu radnog dela od ogrebotina ili oznaka napravljenih od strane poluge za guranje, prikačite dodatni prednji poklopac na polugu za guranje.

- ① Uklonite sve preostale pričvršćivače i bateriju iz čekića za ukucavanje eksera.
- ② Stavite prednji poklopac na dno poluge za guranje.
- ③ Prednji poklopac je označen za ukazivanje na tačku izlaza eksera, što čini poravnanje lakšim.
- ④ Kada se ne koristi prednji poklopac, pričvrstite odeljak skladišta koji se nalazi na obrnutoj strani magazina.

NAPOMENA

Prednji poklopac može da smanji dubinu kucanja usled deblije. Ponovno podešavanje dubine ukucavanja je neophodno.

5. Popravljanje zaglavljnja

Ako se ekseri zaglave u glavi za kucanje, uklonite ih i prilagodite ukucavanje na sledeći način.

OPREZ

Uklonite bateriju iz čekića za ukucavanje eksera.

- ① Uklonite bateriju iz čekića za ukucavanje eksera.
- ② Uklonite sve eksere.
- ③ Otpustite polugu za zavravljenje i otvorite ploču vodice. (Vidite **SI. 26**)
- ④ Uklonite zaglavljnje ekser uz šrafciğer sa preozom. (Vidite **SI. 27**)

OPREZ

- NIKADA ne udarajte oštricu pogona.
- NIKADA ne usmeravajte alat ka sebi ili drugoj osobi, da biste izbegli rizik od povrede usled pogrešnog paljenja. Čak i ako je baterija uklonjena iz čekića za ukucavanje eksera, postoji energija kompresovanog vazduha koja je preostala unutra.
- ⑤ Zatvorite ploču vodice i bravicu.

NAPOMENA

U slučaju čestih zaglavljnja, kontaktirajte HiKOKI ovlašćeni servisni centar.

ODRŽAVANJE I PROVERA

OPREZ

Postarajte se da uklonite sve preostale pričvršćivače i bateriju iz čekića za ukucavanje eksera pre održavanja i nadzora.

1. Provera magazina

- ① Uklonite bateriju iz čekića za ukucavanje eksera.
- ② Očistite magazin. Uklonite prašinu i drvene strugotine koje su se možda nagomilale u magazinu.

OPREZ

Proverite da li dodavač eksera glatko klizi tako što ćete ga povući prstom.

Ako nije gladak, ekseri mogu da se ukucaju pod nepravilnim uglom i da povrede nekog.

2. Provera montažnih zavrtnjeva

Redovno proveravajte sve montažne zavrtnje i postarajte se da budu dobro zategnuti. Ako bilo koji od ovih zavrtnjeva popusti, odmah ga pritegnite. Propust da to uradite može da izazove ozbiljnu opasnost.

3. Održavanje motora

Namotaji motora su samo „srce“ električnog alata. Poklanjajte odgovarajuću pažnju da se namotaji ne bi oštetili i/ili pokvasili uljem ili vodom.

4. Kontrola krajeva (alat i baterija)

Proverite da se opiljci i prašina nisu nagomilali na krajevima.

Ponekad proverite pre, u toku i posle rukovanja.

OPREZ

Uklonite opiljke ili prašinu koji su se možda nakupili na krajevima.

Ako to ne učinite može da dođe do kvara.

5. Čišćenje spoljašnjosti

Kada se električni alat isprlja, obrišite ga mekom, suvom krpom ili krpom navlaženom u vodi s deterđentom. Nemojte da koristite rastvarače na bazi hlora, benzin ili razređivače za farbe jer oni tope plastiku.

6. Čuvanje

Stavite električni alat na mesto na kojem je temperatura niža od 40°C i van domašaja dece.

NAPOMENA

Čuvanje litijum-jonskih baterija.

Postarajte se da litijum-jonske baterije budu potpuno napunjene pre nego što ih odložite.

Dugotrajno čuvanje (3 meseca ili više) baterija koje nisu dovoljno napunjene može dovesti do smanjenja radnog učinka, značajnog skraćivanja vremena korišćenja baterija ili do njihove nesposobnosti da drže naboj.

Srpski

Međutim, značajno skraćanje vremena korišćenja baterije može biti regulisano ako se napuni i iskoristi tri do pet puta.

Ako je vreme korišćenja baterija veoma kratko i pored više punjenja i korišćenja, smatrajte da su potpuno istrošene i kupite nove.

OPREZ

Što se tiče rukovanja i održavanja električnih alata, bezbednosni propisi i standardi propisani za svaku zemlju moraju da se poštuju.

Važna napomena o baterijama za HiKOKI akumulatorske električne alate

Uvek koristite neku od naših predviđenih, originalnih baterija. Ne možemo da garantujemo bezbednost i radni učinak našeg akumulatorskog električnog alata kada se koristi s baterijama koje nismo predvideli ili kada se baterije rastave i preprave (na primer prilikom rastavljanja i zamene ćelija ili drugih unutrašnjih delova).

GARANCIJA

Garantujemo da HiKOKI električni alati ispunjavaju zakonske/državne propise. Ova garancija se ne odnosi na kvarove ili oštećenja prouzrokovana pogrešnom upotrebom, zloupotrebom ili normalnim trošenjem i habanjem. U slučaju žalbe, molimo vas da nerastavljeni električni alat sa GARANTNIM SERTIFIKATOM, koji se nalazi na kraju uputstva za upotrebu, pošaljete ovlašćenom servisu kompanije HiKOKI.

Informacije o buci

Karakteristične vrednosti buke u skladu sa EN 60745:

Zvuk nivoa snage tipičnog A-izmerenog jednog događaja

$L_{WA,1s,d} = 92$ dB

Tipičan A-ponderisan nivo pritiska zvučne emisije jednog događaja pri radnog stranici

$L_{pA,1s,d} = 81$ dB

Odstupanje KpA: 3 dB

Ove vrednosti su karakteristične vrednosti u vezi sa alatom i ne predstavljaju odeljenje buke pri mestu korišćenja. Razvoj buke pri tački korišćenja će, na primer, zavistiti od radnog okruženja, radnog dela, podrške u radnom delu i brojem pogonskih operacija, itd.

U zavisnosti od uslova na radnom mestu i oblika radnog mesta, individualne mere prigušenja buke mogu da se sprovedu, kao što su stavljanje radnih delova na nosače za prigušivanje zvuka, sprečavanje vibracije radnog dela putem stezanja ili prekrivanja, itd.

U specijalnim slučajevima neophodno je nositi opremu za zaštitu sluha.

Informacije o vibraciji

Tipična karakteristična vrednost vibracije u skladu sa EN 60745: 2,6 m/s²

Neodređeno K: 1,5 m/s²

Ova vrednost je karakteristična vrednost u vezi sa alatom i ne predstavlja uticaj na ručni sistem kada se koristi alat. Uticaj na ručni sistem kada se koristi alat će na primer zavistiti od sile hvatanja, sile kontakt pritiska, radnog smera, prilagođavanja dovoda energije, radnog dela, nosača radnog dela.

Deklarisana ukupna vrednost vibracija izmerena je na osnovu standardne metode testiranja i može se koristiti za upoređivanje jednog alata s drugim.

Takođe se može koristiti u preliminarnoj proceni izloženosti.

UPOZORENJE

- Emisija vibracija tokom upotrebe električnog alata može da se razlikuje od deklarisanе ukupne vrednosti u zavisnosti od načina na koji se alat koristi.
- Odredite mere bezbednosti za zaštitu rukovaoca i to na osnovu procene izloženosti stvarnim uslovima korišćenja (uzimajući u obzir sve faze radnog ciklusa kao što su vreme kada će alat biti isključen, vreme rada u praznom hodu i vreme uključivanja).

NAPOMENA

Zbog neprekidnog programa istraživanja i razvoja kompanije HiKOKI, ovde navedene specifikacije su podložne izmenama bez prethodnog obaveštenja.

Grafikon održavanja

POSTUPAK	ZAŠTO	KAKO
Čist magazin i mehanizam dodavača.	Sprečite zaglavlivanje.	Dnevno čistite usisavanjem.
Neka poluga za guranje pravilno radi.	Unapredite bezbednost operatera i efikasno rukovanje čekićem za ukucavanje eksera.	Dnevno čistite usisavanjem.

REŠAVANJE PROBLEMA

Koristite provere u tabeli ispod ako alat ne funkcioniše normalno. Ako ni to ne otkloni problem, konsultujte vašeg prodavca ili ovlašćeni servisni centar kompanije HiKOKI.

PROBLEM	METODA PROVERE	ISPRAVKA
Prekidač za napajanje se ne uključuje. Uključite jednom, ali automatski isključite.	Nisko punjenje baterije.	Napunite bateriju.
	Oštećena interna elektronika.	Kontaktirajte HiKOKI za zamenu.
	Poluga za guranje i/ili okidač je UKLJUČEN?	Držite polugu za guranje i okidač ISKLJUČEN.
	Ne vršite radnju preko 30 minuta? (Funkcija automatskog isključivanja napajanja)	Gurnite i držite prekidač napajanja duže od 1 sekunde da prebacite na „UKLJUČENO“
Čekić za ukucavanje eksera ne radi (UKLJUČEN je prekidač napajanja).	Čekić za ukucavanje eksera nije dovoljno pritisnut naspram radnog dela.	Čvrsto držite čekić za ukucavanje eksera i pritisnite radni deo u potpunosti.
	Okidač nije dovoljno povučten.	Čvrsto povucite okidač.
	Više od 2 sekundi je prošlo od UKLJUČIVANJA poluge za guranje na UKLJUČIVANJE okidača (ili UKLJUČIVANJE okidača na UKLJUČIVANJE poluge za guranje).	Postarajte se da manje od 2 sekunde prođe između UKLJUČENE poluge za guranje i UKLJUČENOG okidača (ili između UKLJUČENOG okidača i UKLJUČENE poluge za guranje).
	Aktiviran preventivan mehanizam. (Bez eksera ili premalo preostalih pričvršćivača) (isključujući NT1850DBSL)	Ponovo ubacite eksere u magazin.
	Poluga za blokiranje prekidača (funkcija blokiranja okidača) je u poziciji „UKLJUČENO“.	Podesite polugu za blokiranje prekidača u poziciju „ISKLJUČENO“. (Pogledajte SI. 8)
	Mašina je previše hladna (ispod -5°C) ili previše topla. (LED lampa trepće u redovnim intervalima, a prekidač za napajanje se isključuje nakon 10 sekundi.) (Pogledajte stranu 356)	Ostavite da se čekić za ukucavanje eksera ohladi ili zagreje u potpunosti pod adekvatnim uslovima.
	Oštećena interna elektronika.	Kontaktirajte HiKOKI za zamenu.
Čekić za ukucavanje eksera radi, ali ne kuca eksere.	Magazin je prljav.	Usisajte i obrišite magazin.
	Proverite zaglavljenje.	Uklonite zaglavljenje (pogledajte SI. 26, 27).
	Oštrica pogona je ishabana ili oštećena?	Kontaktirajte HiKOKI za zamenu.
	Opruga trake je oslabljena ili oštećena?	Zamenite oprugu trake.
	Oštećen dodavač eksera?	Zamenite dodavač eksera.
	Proverite pravilne eksere.	Koristite samo preporučene eksere.
Slab pogon. Spor ciklus.	Proverite poziciju regulatora prilagođavanja dubine ukucavanja.	Ponovo podesite na SI. 19, 20 .
	Ishabana oštrica pogona?	Kontaktirajte HiKOKI za zamenu.
	Kompresovan vazdušni pritisak je postao nizak.	Kontaktirajte HiKOKI za zamenu.
	Oštećena interna elektronika.	Kontaktirajte HiKOKI za zamenu.
Ukucava previše duboko.	Proverite poziciju regulatora prilagođavanja dubine ukucavanja.	Ponovo podesite na SI. 19, 20 .
Preskače eksere. Povremeno dodavanje.	Proverite pravilne eksere.	Koristite samo preporučene eksere.
	Oštećen dodavač eksera?	Zamenite dodavač eksera.
	Opruga trake je oslabljena ili oštećena?	Zamenite oprugu trake.
	Oštrica pogona je ishabana ili oštećena?	Kontaktirajte HiKOKI za zamenu.
Ekseri se glave. Ukucan ekser je savijen.	Proverite pravilne eksere.	Koristite samo preporučene eksere.
	Oštrica pogona je ishabana ili oštećena?	Kontaktirajte HiKOKI za zamenu.

OPĆENITA SIGURNOSNA UPOZORENJA ZA ELEKTRIČNE ALATE

⚠ UPOZORENJE

Pročitajte sva sigurnosna upozorenja i sve upute.

Nepoštivanje upozorenja i uputa može uzrokovati strujni udar, požar i/ili teške ozljede.

Sačuvajte sva upozorenja i upute za ubuduće.

Izraz "električni alat" u upozorenjima odnosi se na električni alat priključen na mrežu (žični) ili na električni alat koji radi na baterije (bežični).

1) Sigurnost radnog mjesta

- a) Radno mjesto održavajte čistim i dobro osvijetljenim.

Nered ili neosvijetljeno radno mjesto uzrokuje nesreće.

- b) Električni alat ne koristite u eksplozivnim okruženjima kao što su prisutnost zapaljivih tekućina, plinova ili prašine.

Električni alati proizvodi iskre koje mogu zapaliti prašinu ili pare.

- c) Djecu i ostale osobe držite podalje tijekom korištenja električnog alata.

Nepažnja može uzrokovati gubitak kontrole.

2) Električna sigurnost

- a) Utikači električnog alata moraju odgovarati utičnicama na koje se priključuju.

Ni na koji način nemojte mijenjati električni utikač.

Ne koristite adapterske utikače s uzemljenim električnim alatom.

Neizmijenjeni utikači i odgovarajuće utičnice smanjuju opasnost od strujnog udara.

- b) Izbjegavajte dodir tijela s uzemljenim površinama kao što su cijevi, radijatori i hladnjaci.

Postoji povećana opasnost od strujnog udara ako je vaše tijelo uzemljeno.

- c) Električni alat ne izlažite kiši i vlazi.

Ulazak vode u električni alat povećava rizik od strujnog udara.

- d) Ne zlorabite kabel. Nikada ne koristite kabel za nošenje, povlačenje ili izvlačenje utikača iz utičnice.

Držite kabel podalje od izvora topline, ulja, oštirih rubova ili pomičnih dijelova.

Oštećen ili zapetljan kabel povećava opasnost od strujnog udara.

- e) Kada električni alat koristite na otvorenom, koristite samo produžni kabel odobren za uporabu na otvorenom.

Uporaba kabela prikladnog za uporabu na otvorenom smanjuje opasnost od strujnog udara.

- f) Ako je neizbježno korištenje električnog alata na vlažnom mjestu, koristite zaštitne strujne sklopke (FID sklopke).

Uporaba FID sklopke smanjuje rizik od strujnog udara.

3) Osobna sigurnost

- a) Budite na oprezu, paziti što radite i koristiti zdrav razum prilikom korištenja električnog alata.

Električni alat ne koristite ako ste umorni ili pod utjecajem droga, alkohola ili lijekova.

Trenutak nepažnje prilikom uporabe električnog alata može uzrokovati ozbiljne ozljede.

- b) Koristiti osobnu zaštitnu opremu. Uvijek nosite zaštitne naočale.

Zaštitna oprema, kao što su maske za prašinu, zaštitne cipele otporne na klizanje, kacige ili zaštita sluha, ako se koriste u odgovarajućim uvjetima smanjuju opasnost od nezgoda.

- c) Spriječite nehotično pokretanje. Provjerite je li prekidač u isključenom položaju prije spajanja na izvor napajanja i/ili baterije, prije nego uhvatite alat ili prije nošenja alata.

Nošenje električnih alata s prstom na prekidaču ili priključenih električnih alata čiji prekidač je uključen uzrokuje nesreće.

- d) Uklonite sav alat za podešavanje ili ključeve prije nego što uređaj uključite.

Alat ili ključ koji se nalazi u rotirajućem dijelu alata može uzrokovati ozljede.

- e) Ne istežite se kako biste dosegli radno mjesto. Održavajte odgovarajuće uporište i ravnotežu u svim vremenima.

To omogućuje bolju kontrolu električnog alata u neočekivanim situacijama.

- f) Nosite prikladnu odjeću. Ne nosite široku odjeću ili nakit. Kosu, odjeću i rukavice držite podalje od pokretnih dijelova.

Pokretni dijelovi mogu zahvatiti široku odjeću, nakit ili dugu kosu.

- g) Ako postoje uređaji za priključenje usisivača prašine i uređaji za sakupljanje, provjerite jesu li priključeni i koriste li se na ispravan način.

Korištenje uređaja za skupljanje prašine može smanjiti opasnosti povezane s prašinom.

4) Uporaba i njega električnog alata

- a) Ne silite električni alat. Koristite odgovarajući električni alat za radnju koju treba obaviti.

Ispravan električni alat posao će obaviti bolje i sigurnije, pod uvjetima za koje je dizajniran.

- b) Ne koristite električni alat ako se ne može uključiti i isključiti prekidačem.

Bilo koji električni alat koji se ne može kontrolirati pomoću prekidača je opasan i treba ga popraviti.

- c) Izvucite utikač iz mrežne utičnice i/ili bateriju iz električnog alata prije podešavanja, zamjene pribora ili odlaganja uređaja.

Ovim mjerama opreza smanjit ćete rizik od slučajnog pokretanja uređaja.

- d) Električni alat koji se ne koristi čuvajte izvan dohvata djece i ne dopustite da alat koriste osobe koje nisu upoznate s načinom rada ili ovim uputama.

Električni alat je opasan ako ga koriste neiskusne osobe.

- e) Održavanje električnog alata. Provjerite neusklađene ili povezane pokretne dijelove, eventualno polomljene dijelove i sve druge čimbenike koji mogu utjecati na rad električnog alata.

Ako je oštećen, alat dajte popraviti prije uporabe. Mnoge nesreće uzrokovane su loše održanim električnim alatima.

- f) Alat za rezanje održavajte oštirim i čistim.

Ispravno održavani alat za rezanje s oštirim oštircama neće se zaglaviti i lakše će se kontrolirati.

- g) Koristite električni alat, pribor i nastavke, itd. u skladu s ovim uputama, uzimajući u obzir radne uvjete i radove koji se izvode.

Uporaba električnog alata za namjene za koje alat nije predviđen može uzrokovati opasne situacije.

5) Uporaba i njega električnog alata s baterijama

- a) Baterije punite samo pomoću punjača koji je odredio proizvođač.

Punjač koji je prikladan za jednu vrstu baterije može uzrokovati opasnost od požara ako se koristi s drugom baterijom.

- b) **Električni alat koristite samo s izričito za te alate određenim baterijama.**

Uporaba s bilo kojim drugim baterijama može uzrokovati rizik od ozljeda i požara.

- c) **Kada se baterija ne koristi, držite je podalje od drugih metalnih predmeta kao što spajalice, kovanice, ključevi, čavli, vijci ili drugi sitni metalni predmeti koji mogu uspostaviti vezu između terminala baterije.**

Kratko spajanje terminala baterije može uzrokovati opekline ili požar.

- d) **U slučaju primjene sile, iz baterija može prsnuti tekućina. Izbjegavajte kontakt s tom tekućinom. Ako slučajno dođe do kontakta, isperite vodom. Ako tekućina dospje u oči, dodatno potražiti liječničku pomoć.**

Tekućina iz baterije može uzrokovati iritacije ili opekline.

6) Servisiranje

- a) **Servisiranje električnog alata prepustite isključivo kvalificiranom osoblju uz korištenje identičnih rezervnih dijelova.**

Na taj će se način osigurati sigurnost električnog alata.

OPREZ

Djecu i nemoćne osobe držite podalje od uređaja.

Kad se ne koristi, alat treba držati izvan dohvata djece i nemoćnih osoba.

UPOZORENJA ZA BEŽIČNI ZAVRŠNI ZAKIVAČ/BEŽIČNI ZAKIVAČ ČAVALA

- Uvijek pretpostavite da alat sadrži čavle.**
Neoprezno rukovanje zakivačem može rezultirati neočekivanim ispaljivanjem čavala i ozljedama.
- Nemojte usmjeravati alat prema sebi ni ikome u blizini.**
Neočekivano okidanje će ispaliti čavao uzrokujući ozljedu.
- Nemojte aktivirati alat osim ako alat nije čvrsto postavljen na izradak.**
Ako alat ne dodiruje izradak, čavao može skrenuti daleko od vaše mete.
- Iskopčajte alat iz izvora napajanja kada čavao zaglavi u alatu.**
Tijekom uklanjanja zaglavljenog čavla, zakivač se može slučajno aktivirati ako je ukopčan.
- Budite oprezni pri uklanjanju zaglavljenog čavla.**
Mehanizam može biti pod kompresijom i čavao može biti prisilno otpušten dok se pokušava osloboditi zaglavljeno stanje.
- Nemojte koristiti ovaj zakivač za pričvršćivanje električnih kabela.**
Nije namijenjen za instalaciju električnih kabela i može oštetiti izolaciju električnih kabela čime uzrokuje električni udar ili opasnost od požara.

DODATNA SIGURNOSNA UPOZORENJA

- Siguran rad kroz pravilnu upotrebu.**
Ovaj alat je dizajniran za zabijanje čavala u drvo i slične materijale. Koristite ga samo za namijenjenu svrhu.
- Pazite se od zapaljenja i eksplozija.**
Budući da iskre mogu letjeti tijekom zakucavanja, opasno je koristiti ovaj alat u blizini lakova, boje, benzina, razrjeđivača, benzina, plina, ljepila i sličnih zapaljivih tvari jer se mogu zapaliti ili eksplodirati. Stoga se ovaj alat ni pod kojim uvjetima ne smije koristiti u blizini takvog zapaljivog materijala.

3. Uvijek nosite zaštitu za oči (zaštitne naočale).



Prilikom rukovanja električnim alatom, uvijek nosite zaštitu za oči i osigurajte da ljudi koji vas okružuju također nose zaštitu za oči.

Mogućnost da komadići čavla koji nisu pravilno zakucani uđu u oči predstavljaju prijetnju očima. Zaštita za oči može se kupiti u bilo kojoj željezariji. Uvijek koristite zaštitu za oči tijekom rada s ovim alatom. Koristite zaštitu za oči ili široku masku preko naočala za vid.

Poslodavci bi uvijek trebali primoravati na upotrebu opreme za zaštitu očiju.

4. Zaštitite uši i glavu.

Kada radite na zakucavanju čavala, molimo vas da nosite prigušivače za uši i zaštitu za glavu. Također, ovisno o stanju, pobrinite se da ljudi koji vas okružuju također nose prigušivače za uši i zaštitu za glavu.

5. Obratite pozornost na one koji rade u vašoj blizini.

Bilo bi vrlo opasno da čavli koji nisu ispravno zakucani pogode druge ljude. Stoga, uvijek pazite na sigurnost ljudi oko vas kada koristite ovaj alat. Uvijek pazite da ničije tijelo, ruke ili noge nisu blizu otvora za čavle.

6. Nikada ne usmjeravajte otvor za čavle prema ljudima.



Uvijek pretpostavite da alat sadrži čavle. Ako je otvor za čavle usmjeren prema ljudima, može doći do ozbiljnih nesreća ako slučajno opalite alat. Pri spajanju i otpajanju baterije, tijekom punjenja čavlima ili sličnim operacijama, pazite da otvor za čavle nije usmjeren prema nikome (uključujući i sebe). Čak i kada uopće nije punjen s čavlima, opasno je ispaliti alat usmjeren prema nekome, stoga to nikada ne pokušavajte učiniti. Bez divljanja. Poštujte alat kao radni pribor.

7. Prije uporabe provjerite potisnu polugu.

Uvjerite se da potisna poluga radi ispravno. (Potisna poluga može se zvati "Sigurnost".) Nikada nemojte koristiti zakivač, osim ako potisna poluga ne radi ispravno, jer u suprotnom zakivač može neočekivano ispaliti čavao. Nemojte manipulirati ili uklanjati potisnu polugu, jer u protivnom ista postaje neupotrebljiva.

8. Izbor metode okidanja je važan.

Pročitajte i shvatite odjeljak pod naslovom "KAKO KORISTITI ZAKIVAČ" na stranici 373.

9. Prije korištenja proizvoda provjerite radi li ispravno u skladu sa sadržajem "Ispitivanje zakivača" na stranici 372.

10. Koristite samo navedene čavle.

Nikada nemojte koristiti čavle osim onih navedenih i opisanih u ovim uputama.

11. Budite oprezni pri spajanju baterije.

Prilikom spajanja baterije i punjenja čavlima, kako ne biste slučajno ispalili alat, pobrinite se za sljedeće.

- Nemojte dirati okidač.
- Nemojte dopustiti da glava za ispaljivanje bude u kontaktu s bilo kojom površinom.
- Držite glavu za ispaljivanje prema dolje.
Strogo se pridržavajte gore navedenih uputa i uvijek pazite da nikada nijedan dio tijela, ruke ili noge nisu nasuprot otvora za čavle.

12. Nemojte nemarno stavljati prst na okidač.

Nemojte stavljati prst na okidač, osim kada zapravo zakucavate čavle. Ako nosite ovaj alat ili ga predajete nekome dok imate prst na okidaču, možete nenamjerno ispaliti čavao i time izazvati nesreću.

13. Čvrsto pritisnite otvor za čavle na materijal na koji želite zakucati čavao.

Prilikom zakucavanja čavala, čvrsto pritisnite otvor za čavle na materijal na koji želite zakucati čavao. Ako je otvor neispravno postavljen, čavli se mogu odbijati.

14. Pri korištenju držite ruke i noge daleko od glave za ispaljivanje.



Veoma je opasno da čavao slučajno pogodi ruke ili noge.

15. Čuvajte se trzaja alata.

Nemojte približavati glavu vrhu alata itd. tijekom rada. To je opasno jer alat može naglo trznuti ako čavao koji se trenutno zakucava dođe u dodir s prethodnim čavlom ili čvorom u drvu.

16. Pazite na dvostruko aktiviranje alata zbog trzaja.

Ako se potisnom poluzi nenamjerno dozvoli da ponovno dođe u kontakt s izratkom nakon trzaja, dolazi do neželjenog ispaljivanja čavla.

Kako bi se izbjeglo ovo nepoželjno dvostruko ispaljivanje,

- Isprekidani rad (Aktiviranje okidača)
 - 1) Postavite preklopni uređaj na PUNO SEKVENCIJALNO AKTIVIRANJE MEHAZIMA.
 - 2) Povucite okidač brzo i čvrsto.
- Kontinuirani rad (Okidanje potisnom polugom)
 - 1) Nemojte pritiskati zakivač pretjeranom silom na drvo.
 - 2) Odvojite zakivač od drva dok se vraća unatrag nakon zakivanja.

17. Pazite prilikom zakucavanja tankih ploča ili uglova drva.

Kada zakucavate tanke ploče, čavli mogu proći ravno kroz ploču, kao što to može biti slučaj i kod zakucavanja uglova drva zbog devijacije čavala. U takvim slučajevima uvijek pazite da nema nikoga (i ničijih ruku ili nogu, itd.) iza tanke ploče ili pored drva koje ćete zakucavati.

18. Istodobno zakucavanje na obje strane istog zida je opasno.

Zakucavanje se ni pod kojim okolnostima ne smije izvoditi na obje strane zida u isto vrijeme. To bi bilo vrlo opasno jer čavli mogu proći kroz zid i tako uzrokovati ozljede.

19. Nemojte koristiti električni alat na skelama, ljestvama.

Električni alat se ne smije koristiti za određenu primjenu, na primjer:

- kada promjena lokacije zakucavanja uključuje upotrebu skela, stepenica, ljestvi ili konstrukcija nalik ljestvama, npr. krovne letvice,
- zatvaranje kutija ili sanduka,
- ugradnju sigurnosnih sustava za transport, npr. na vozilima i vagonima

20. Uklonite sve preostale čavle i bateriju iz zakivača kada:

- 1) radite održavanje i inspekciju;
- 2) provjeravate pravilan rad potisne poluge i okidača;
- 3) pričvršćujete ili uklanjate poklopac nosa;
- 4) uklanjate zaglavljeno;
- 5) nije u uporabi;
- 6) napuštate radno mjesto;
- 7) premještate ga na drugu lokaciju; i
- 8) predajete ga drugoj osobi.

Nikada ne pokušavajte otkloniti zaglavljenje ili popraviti zakivač ako niste uklonili bateriju i sve preostale čavle iz zakivača.

Zakivač nikada ne smije biti ostavljen bez nadzora, jer osobe koje nisu upoznate sa zakivačem ga mogu koristiti i ozlijediti se.

21. Uklonite bateriju iz zakivača kada:

- 1) puniti čavle;
- 2) okrećete regulator.

22. Odspojite bateriju.

Odspojite bateriju kada pričvršćujete i skidate poklopac nosa.

Prilikom pričvršćivanja i odvajanja pribora poklopcu nosa na vrh potisne poluge, obavezno prethodno odspojite bateriju. Slučajno ispaljivanje čavla je veoma opasno.

23. Radno okruženje za ovaj uređaj je između 0°C i 40°C stoga osigurajte korištenje unutar ovog temperaturnog raspona. Uređaj može ne raditi ispod 0°C ili iznad 40°C.

24. Uvijek puniti bateriju na temperaturi od 0–40°C.

Temperatura manja od 0°C rezultirat će prekomjernim punjenjem koje je opasno. Baterija se ne može puniti na temperaturi većoj od 40°C.

Najprikladnija temperatura za punjenje je 20–25°C.

25. Ne koristite punjač kontinuirano.

Nakon završetka punjenja, ostavite punjač da se ohladi oko 15 minuta prije sljedećeg punjenja baterije.

26. Ne dopustite da u rupu za priključivanje punjive baterije uđu strani predmeti.

27. Nikada ne rastavljajte punjivu bateriju ili punjač.

28. Nikada nemojte kratko spojiti punjive baterije.

Kratko spajanje baterije proizvodi veliku struju i dovodi do pregrijavanja. To dovodi do opeklina ili oštećenja baterije.

29. Baterije ne bacajte u vatru.

Ako baterija ne izgori, može eksplodirati.

30. Korištenje istrošene baterije oštetit će punjač.

31. Bateriju odnesite u trgovinu u kojoj je kupljena čim trajanje pražnjenja baterije nakon ponovnog punjenja postane prekratko za praktičnu uporabu.

Istrošene baterije ne bacajte zajedno s ostalim smećem.

32. U ventilacijske otvore punjača ne umećite strane predmete.

Umetanje metalnih predmeta ili zapaljivih tvari u ventilacijske otvore punjača uzrokovat će strujni udar ili oštećenje punjača.

33. NIKADA ne dopustite da se magneti (ili slični magnetski uređaji) nađu neposredno pored zakivača, jer zakivač ima unutarnji magnetski senzor.

To će uzrokovati kvar ili rizik od ozljeda zbog neispravnosti.

34. Odmaranje uređaja nakon kontinuiranog rada.

35. Električna jedinica je opremljena zaštitnim temperaturnim krugom za zaštitu motora.

Kontinuirani rad može izazvati porast temperature jedinice, aktivaciju zaštitnog temperaturnog kruga i automatsko zaustavljanje radnje. Ako se ovo dogodi, dopustite da se alat ohladi prije ponovne uporabe.

36. Ovaj proizvod može prestati raditi kada se otkrije nepravilnost. U takvim slučajevima provjerite stavke navedene u odjeljku "PROBLEMI" na stranici 377.

37. Nemojte snažno udariti ili slomiti upravljačku ploču. To može dovesti do problema.

38. Nemojte koristiti proizvod ako su terminali alata ili baterije (držač baterije) deformirani.

Ugradnja baterije može uzrokovati kratki spoj koji može dovesti do emisije dima ili paljenja.

39. Držite terminale alata (držač baterije) bez strugotina i prašine.

Prije upotrebe, provjerite da strugotine i prašina nisu nakupljeni na području terminala.

Tijekom rada, pokušajte izbjeći padanje strugotina ili prašine s instrumenta na bateriju.

Ako prekidate rad ili nakon uporabe, nemojte ostavljati alat na mjestu gdje je izložen padanju strugotina ili prašini.

Ako to učinite možete uzrokovati kratki spoj koji može dovesti do emisije dima ili paljenja.

MJERE OPREZA ZA LITIJ-IONSKE BATERIJE

U svrhu produljenja vijeka trajanja, litij-ionska baterija opremljena je zaštitom za prekidanje izlazne struje.

U dolje opisanim slučajevima 1 do 3, prilikom korištenja ovoga proizvoda, čak i kada držite prekidač, motor se može zaustaviti. To nije indikacija problema u radu već rezultat zaštitne funkcije.

1. Kada se baterija istroši, motor se zaustavlja. U tom je slučaju odmah napunite.
2. Ako je alat preopterećen, motor se može zaustaviti. U tom slučaju pustite prekidač alata i otklonite uzrok preopterećenja. Nakon toga alat možete ponovno koristiti.
3. Ako se baterija pregrije uslijed rada pod preopterećenjem, baterija može prestati davati struju. U tom slučaju prestanite koristiti bateriju i sačekajte da se ohladi. Nakon toga alat možete ponovno koristiti.

Nadalje, molimo vas da obratite pažnju na sljedeća upozorenja i mjere opreza.

UPOZORENJE

Kako bi se spriječilo curenje baterije, pregrijavanje, dimljenje, eksplozija i zapaljenje, molimo vas da se pridržavate sljedećih mjera opreza.

1. Pazite da se strugotine i prašina ne nakupljaju na bateriji.
- Tijekom rada pazite da strugotine i prašina ne padaju na bateriju.
- Pazite da se strugotine i prašina koji tijekom rada alata padnu na bateriju ne nakupljaju na bateriji.
- Nekorišteni bateriju ne skladištite na mjestima izloženima strugotinama i prašini.
- Prije skladištenja baterije, uklonite strugotine i prašinu s baterije i ne skladištite zajedno s metalnim dijelovima (vijci, čavli, itd.).
2. Ne bušite bateriju oštrim predmetima, primjerice čavlima, ne udarajte čekićem, ne gazite, ne bacajte i ne izlažite bateriju teškim udarcima.
3. Ne koristite vidljivo oštećenu ili deformiranu bateriju.
4. Ne koristite baterije obrnutog polariteta.
5. Ne spajajte izravno na električnu utičnicu ili priključnicu upaljača u automobilu.
6. Bateriju ne koristite u svrhe za koje nije namijenjena.
7. Ako se punjenje baterije ne završi niti nakon isteka navedenog vremena punjenja, odmah prekinite daljnje punjenje.
8. Bateriju ne izlažite visokim temperaturama ili visokom tlaku i ne stavljajte u mikrovalne pećnice, sušilice ili spremnike pod visokim tlakom.
9. Držite podalje od vatre čim otkrijete da baterija curi ili osjetite neugodan miris.
10. Ne koristite na mjestima na kojima se generira jak statički elektricitet.
11. Ako dođe do curenja baterije, neugodnog mirisa, zagrijavanja, promjene boje ili oblika baterije, ili se baterija na bilo koji način promijeni tijekom korištenja, punjenja ili skladištenja, odmah je izvadite iz uređaja ili punjača i prekinite uporabu.
12. Nemojte uranjati bateriju ili dopustiti da bilo kakve tekućine uđu unutra. Prodor vodljive tekućine, kao što je voda, može uzrokovati oštećenja koja mogu dovesti do požara ili eksplozije. Čuvajte bateriju na hladnom i suhom mjestu, dalje od gorivih i zapaljivih predmeta. Moraju se izbjeći atmosfere korozivnog plina.

POZOR

1. Ako tekućina koja curi iz baterije dospije u oči, nemojte trljati oči i odmah ih dobro isperite čistom vodom, kao je voda iz slavine, te odmah potražite pomoć liječnika. Ako se ne liječi, tekućina može uzrokovati probleme s vidom.
2. Ako tekućina iscuri po koži ili odjeći, odmah dobro isperite čistom vodom, kao što je voda iz slavine. Postoji mogućnost iritacije kože.
3. Ukoliko prilikom prvog korištenja baterije otkrijete hrđu, neugodan miris, pregrijavanje, promjenu boje, deformacije, i/ili druge nepravilnosti, ne koristite i vratite dobavljaču ili prodavaču.

UPOZORENJE

Ako u terminal litij-ionske baterije dospije provodljivi materijal, baterija se može kratko spojiti i prouzročiti požar. Kod skladištenja litij-ionske baterije svakako se pridržavajte sljedećih pravila.

- U kutije za spremanje ne stavljajte vodljive materijale kao što su čavli i željezna ili bakrena žica.
- Kako bi se spriječio kratki spoj, bateriju stavite u alat ili čvrsto pričvrstite poklopac baterije za spremanje sve dok se ventilator ne vidi.

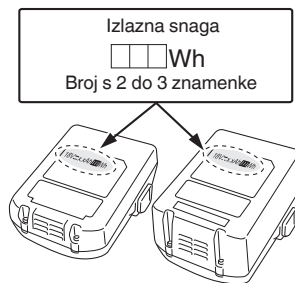
U POGLEDU TRANSPORTA LITIJ-IONSKE BATERIJE

Prilikom transporta litij-ionske baterije, molimo pridržavajte se sljedećih mjera opreza.

UPOZORENJE

Obavijestite tvrtku za transport da paket sadrži litij-ionsku bateriju, informirajte tvrtku o njenoj izlaznoj snazi i slijedite upute tvrtke za transport prilikom dogovaranja transporta.

- Litij-ionske baterije čija izlazna snaga prelazi 100 Wh klasificiraju se kao opasni teret i zahtijevaju primjenu posebnih procedura.
- Za transport u inozemstvo, morate postupati u skladu s međunarodnim zakonima te pravilima i propisima određene zemlje.



NAZIVI DIJELOVA (SI. 1 – SI. 28)

①	Gornji poklopac
②	Okidač
③	LED svjetlo
④	Glava za zakucavanje (otvor)
⑤	Potisna poluga
⑥	Ulagrač čavala (A)
⑦	Ulagrač čavala (B)
⑧	Spremnik
⑨	Kuka
⑩	Baterija
⑪	Poluga za zaključavanje prekidača
⑫	Ručica
⑬	Zaustavna poluga
⑭	Prekidač indikatora baterije
⑮	Indikator baterije
⑯	Prekidač za rad s čavlima

17	Indikator napajanja
18	Prekidač napajanja
19	Indikator rada s čavlima
20	Traka s čavlima
21	Poklopac spremnika
22	Utor
23	Vodič oštrice
24	Regulator
25	Ploča kuke
26	Poklopac nosa
27	Poluga za zaključavanje
28	Ploča vodilice

	PUNO SEKVENCIJALNO AKTIVIRANJE MEHANIZMA
	Način rada PUNO SEKVENCIJALNO AKTIVIRANJE MEHANIZMA Indikator rada s čavlima: Svijetli plavo
	KONTAKTNO AKTIVIRANJE MEHANIZMA
	Način rada KONTAKTNO AKTIVIRANJE MEHANIZMA Indikator rada s čavlima: Trepće plavo
	Okidač je zaključan
	Okidač je otključan
	Prekidač indikatora baterije
	Preostala snaga baterije je dostatna Indikator baterije: Svijetle 2 LED-a (crveno)
	Preostala snaga baterije je oko pola. Indikator baterije: 1 LED svijetli (crveno)
	Preostala snaga baterije - gotovo prazna. Napunite bateriju što je prije moguće. Indikator baterije: 1 LED treperi (crveno)
	Kontaktirajte HiKOKI radi pregleda. Indikator baterije: 2 LED-a trepere narančasto, a nakon 10 sekundi se automatski isključuje prekidač napajanja.
	Plitka strana
	Duboka strana
	Upozorenje
	Zabranjena radnja

SIMBOLI

UPOZORENJE

Za uređaj se koriste sljedeći simboli. Uvjerite se da prije uporabe razumijete njihovo značenje.

	NT 1865DBAL: Bežični završni zakivač NT 1865DBSL: Bežični završni zakivač NT 1850DBSL: Bežični zakivač čavala
	Kako bi smanjio opasnost od ozljede, korisnik mora pročitati priručnik za uporabu.
	Samo za zemlje EU Električni alat ne bacajte zajedno s ostalim kućnim otpadom! Sukladno europskim direktivama 2012/19/EU o otpadnoj električnoj i elektroničkoj opremi, te provedbi u skladu s nacionalnim zakonima i propisima, električni alat i baterije koji su dostigli kraj korisnog radnog vijeka potrebno je prikupljati odvojeno i predati u ustanove za recikliranje.
	Jednosmjerna struja
	Uključivanje
	Isključivanje
	Odspojite bateriju
	Prekidač napajanja
	Prekidač napajanja OFF
	Prekidač napajanja ON Indikator napajanja: Svijetli zeleno
	Prekidač za rad s čavlima

SPECIFIKACIJE

1. Bežični završni zakivač

Model	NT1865DBAL		NT1865DBSL		
Motor	DC motor bez četkica		DC motor bez četkica		
Primjenjivi čavao	15 Ga (Kut: 34°)		16 Ga		
Duljina primjenjivog čavla	32 mm do 65 mm		25 mm do 65 mm		
Kapacitet punjenja čavala [čavli]	100 (1 traka)		100 (2 trake)		
Način okidanja	Potpuno sekvencijalni/kontaktni (moguće je odabrati)		Potpuno sekvencijalni/kontaktni (moguće je odabrati)		
Brzina ciklusa	[čavala/sekundi]	3 (Isprekidani)		3 (Isprekidani)	
Baterija	Model	BSL1830C		BSL1830C	BSL1850
	Tip	Li-ion baterija			
	Napon	DC 18 V			
Težina*	3,5 – 4,1 kg		3,4 – 4,0 kg		
Dimenzija Visina x Dužina x Širina	344 mm x 300 mm x 104 mm		315 mm x 298 mm x 104 mm	315 mm x 310 mm x 104 mm	

* Prema EPTA postupku 01/2014

Ovisno o priključenoj bateriji. Najveća težina je izmjerena s BSL36B18 (prodaje se zasebno).

2. Bežični zakivač čavala

Model	NT1850DBSL			
Motor	DC motor bez četkica			
Primjenjivi čavao	18 Ga			
Duljina primjenjivog čavla	16 mm do 50 mm			
Kapacitet punjenja čavala [čavli]	100 (1 traka)			
Način okidanja	Potpuno sekvencijalni/kontaktni (moguće je odabrati)			
Brzina ciklusa	[čavala/sekundi]	3 (Isprekidani)		
Baterija	Model	BSL1830C	BSL1850	
	Tip	Li-ion baterija		
	Napon	DC 18 V		
Težina*	3,4 – 4,0 kg			
Dimenzija Visina x Dužina x Širina	323 mm x 298 mm x 104 mm	323 mm x 310 mm x 104 mm		

* Prema EPTA postupku 01/2014

Ovisno o priključenoj bateriji. Najveća težina je izmjerena s BSL36B18 (prodaje se zasebno).

3. Punjač baterije

Model	UC18YFSL	UC18YML2
Napon punjenja	DC 14,4 - 18 V	
Težina	0,5 kg	0,7 kg

NAPOMENA

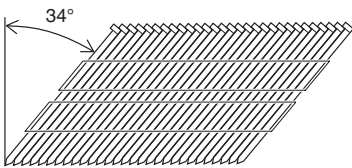
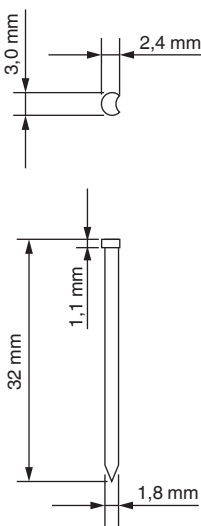

Zbog kontinuiranog programa istraživanja i razvoja tvrtke HIKOKI, ovdje navedene specifikacije mogu se promijeniti bez prethodne najave.

ASORTIMAN ČAVALA

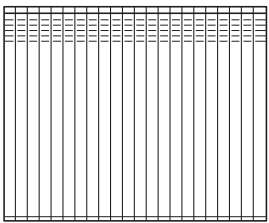
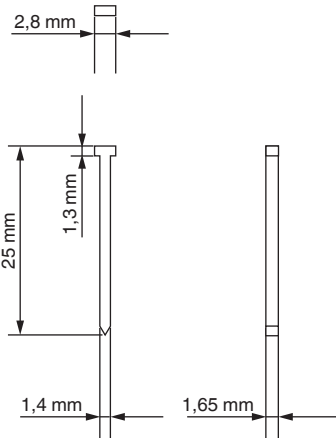

S ovim zakivačem mogu se koristiti samo čavli prikazani u donjoj tablici.

Dimenzije čavala

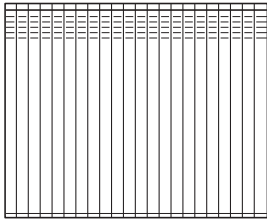
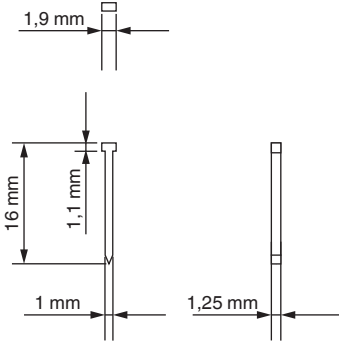

<NT1865DBAL>

	Min.	Maks.
<p>15 Gauge čavli za završnu obradu (Kut: 34°)</p> 		

<NT1865DBSL>

	Min.	Maks.
<p>16 Gauge čavli za završnu obradu (ravno)</p> 		

<NT1850DBSL>

	Min.	Maks.
<p>18 Gauge čavli za zakivanje (ravno)</p> 		
	Izuzimajući čavle duljine 35 mm	

STANDARDNA OPREMA

Osim glavne jedinice (1 jedinica), paket sadrži opremu navedenu na stranici 378.

Standardna oprema može se promijeniti bez prethodne najave.

VRSTE PRIMJENE

<NT1865DBAL, NT1865DBSL>

- Zakucavanje kao završni postupak za područja oko vrata, prozora i ivica.
- Učvršćivanje dna ladice. Izrada raznih kutija i ormara.

<NT1850DBSL>

- Sklapanje ormara i okvira za slike, obloga namještaja.
- Obloge i kalupi na gradilištu i mobilnim kućicama.

PUNJENJE

Prije uporabe električnog alata, bateriju napunite kako slijedi.

1. Spojite se na izvor napajanja. (Slika 3)

Kada bateriju punite pomoću mrežnog napajanja

- Priključite mrežni kabel punjača u utičnicu.
- Kada utikač punjača spojite u utičnicu, lampica indikatora treperit će crveno (u intervalima od 1 sekunde).

POZOR

Električni kabel ne koristite ako je oštećen. Odmah ga dajte popraviti.

Kada bateriju punite pomoću 12V izvora napajanja u automobilu (UC18YML2)

- Punjač baterije postavite na sigurno mjesto u automobilu. Koristite remen koji ste dobili s punjačem kako biste punjač baterije učvrstili na mjestu i spriječiti nehotično pomicanje. (Vidi sliku 28)

POZOR

Punjač i bateriju ne stavljajte ispod vozačevog sjedala. Osigurajte punjač baterije na mjestu kako bi se spriječilo nehotično pomicanje, jer to može dovesti do nesreće.



Slika 28

- Utaknite utikač u utičnicu upaljača. Ako je utikač labav i ispada iz utičnice upaljača, popravite utičnicu. Kao je utičnica u kvaru, preporučujemo da se obratite lokalnom zastupniku automobila. Nastavak korištenje utičnice može dovesti do nesreće zbog pregrijavanja.
- 2. **Umetnite bateriju u punjač.** Bateriju čvrsto umetnite u punjač dok je linija vidljiva, kao što je prikazano na slici 3. Linije nisu prikazane na UC18YFSL. Uvjerite se da je baterija čvrsto postavljena.
- 3. **Punjenje** Prilikom umetanja baterije u punjač započinje punjenje i indikator trajno svijetli crveno. Kada se baterija napuni, indikator treperi crveno. (U intervalima od 1 sekunde) (Vidi tablicu 1)
- (1) Indikator Signal lampice indikatora bit će kao što je prikazano u tablici 1, ovisno o stanju punjača ili punjive baterije.

Tablica 1

<UC18YFSL>

Signali indikatora				
Lampica indikatora (crvena)	Prije punjenja	Treperi	Svijetli 0,5 sekundu. Ne svijetli 0,5 sekundi. (isključen 0,5 sekundi)	/
	Tijekom punjenja	Svijetli	Svijetli kontinuirano	
	Punjenje završeno	Treperi	Svijetli 0,5 sekundu. Ne svijetli 0,5 sekundi. (isključen 0,5 sekundi)	
	Pregrijavanje čekanje	Treperi	Svijetli 1 sekundu. Ne svijetli 0,5 sekundi. (isključen 0,5 sekundi)	Baterija pregrijana. Punjenje nije moguće. (Punjenje će započeti kada se baterija ohladi)
	Punjenje nemoguće	Treperi	Svijetli 0,1 sekundu. Ne svijetli 0,1 sekundu. (isključen 0,1 sekundi)	Kvar baterije ili punjača

<UC18YML2>

Signali indikatora				
Indikator svijetli ili treperi crveno.	Prije punjenja	Treperi	Svijetli 0,5 sekundu. Ne svijetli 0,5 sekundi. (isključen 0,5 sekundi)	/
	Tijekom punjenja	Svijetli	Svijetli kontinuirano	
	Punjenje završeno	Treperi	Svijetli 0,5 sekundu. Ne svijetli 0,5 sekundi. (isključen 0,5 sekundi)	
	Punjenje nemoguće	Treperi	Svijetli 0,1 sekundu. Ne svijetli 0,1 sekundu. (isključen 0,1 sekundi)	Kvar baterije ili punjača
Indikator svijetli ili treperi zeleno.	Pregrijavanje čekanje	Svijetli	Svijetli kontinuirano	Baterija pregrijana. Punjenje nije moguće. (Punjenje će započeti kada se baterija ohladi)
	Punjenje pomoću izvora napajanja u automobilu nije moguće	Treperi	Svijetli 0,5 sekundu. Ne svijetli 0,5 sekundi. (isključen 0,5 sekundi)	DC 12 V napajanje je neispravno

NAPOMENA: U stanju čekanja zbog pregrijane baterije, UC18YML2 hladi bateriju pomoću ventilatora. (Međutim, ventilator ne radi ako se baterija puni pomoću 12 V izvora napajanja u automobilu.)

- (2) U vezi temperatura punjivih baterija
Temperature za punjive baterije prikazane su u **tablici 2**, a baterije koje postanu vruće treba ostaviti da se ohlade neko vrijeme prije početka punjenja.

Tablica 2 Nivo punjenja baterija

Punjive baterije	Temperature na kojima se baterija može puniti
BSL1830C, BSL1850	0°C – 50°C

- (3) U vezi vremena punjenja
Ovisno o kombinaciji punjača i baterija, vrijeme punjenja će biti kao što je prikazano u **Tablici 3**.

Tablica 3 Vrijeme punjenja (na 20°C) (AC napajanje/ DC 12 V (u automobilu) napajanje)

Baterija \ Punjač	UC18YFSL	UC18YML2
BSL1830C	Oko 45 min	Oko 45/120 min
BSL1850	Oko 75 min	Oko 75/200 min

NAPOMENA

Vrijeme punjenja može varirati ovisno o temperaturi okoline i naponu izvora napajanja.

<UC18YML2>

Pogotovo prilikom korištenja 12V izvora napajanja u automobilu, vrijeme punjenja može biti duže na višim temperaturama.

POZOR

Kad se punjač baterija koristi kontinuirano, punjač će se zagrijati, a to može uzrokovati probleme. Nakon što je punjenje završeno, odmorite punjač oko 15 minuta prije sljedećeg punjenja.

4. Isključite utikač punjača iz utičnice ili upaljača.**5. Čvrsto držite punjač i izvucite bateriju.****NAPOMENA**

Obavezno izvadite bateriju iz punjača nakon punjenja i zatim je pohranite.

O električnom pražnjenju u slučaju novih baterija, itd.

Kako unutarnja kemijska tvar novih baterija i akumulatora koje nisu korištene dulje vrijeme nije aktivirana, električno pražnjenje može biti nisko kada ih se koristi prvi i drugi put. Ovo je privremena pojava i normalno vrijeme potrebno za punjenje će se vratiti punjenjem baterija 2 – 3 puta.

Kako da baterije rade duže.

- (1) Napunite baterije prije nego se potpuno isprazne. Kada osjetite da snaga alata postaje slabija, prestanite koristiti alat i napunite njegove baterije. Ako nastavite koristiti alat i iscrpite struju, baterija se može oštetiti i njezin životni vijek će postati kraći.
- (2) Izbjegavajte punjenje na visokim temperaturama. Punjiva baterija će biti vruća odmah nakon korištenja. Ako se takva baterija puni odmah nakon upotrebe, njezina unutarnja kemijska tvar će se pogoršati a životni vijek baterije će se skratiti. Ostavite bateriju i napunite je nakon što se ohladi.

POZOR

- Ako se puni zagrijava baterija koja je na duže vrijeme ostavljena na mjestu izloženom izravnom suncu ili je upravo korištena, indikator punjenja svijetli 1 sekundu, i ne svijetli 0,5 sekundi (isključen na 0,5 sekundi) (UC18YFSL) ili svijetli zeleno. (UC18YML2). U tom slučaju pustite da se baterija najprije ohladi, a tek potom započnete s punjenjem.
- Ako indikator punjenja treperi crveno (u intervalima od 0,2 sekunde), provjerite i izvadite strane predmete iz konektora punjača baterije. Ako nema stranih predmeta, moguće je da su baterija ili punjač neispravni. Odnosite u ovlaštenu servis.
- Budući da ugrađeno mikro-računalo treba otprilike 3 sekunde kako bi ustanovilo da je baterija koja se puni s UC18YFSL/UC18YML2 izvađena iz punjača, pričekajte barem 3 sekunde prije ponovnog umetanja za nastavak punjenja. Ako se baterija ponovo umetne u roku manjem od 3 sekunde, baterija se možda neće ispravno puniti.
- Provjerite napon izvora napajanja u automobilu ako indikator treperi zeleno (u intervalima od 1 sekunde). (UC18YML2)
Ako je napon 12 V ili manji, to znači da je akumulator automobila oslabio i da punjenje nije moguće.
- Ako indikator ne treperi crveno (svake sekunde) čak i ako je utikač upaljača priključen na izvor napajanja, to znači da se aktivirano zaštitni spoj punjača.
Izvadite kabel ili utikač iz utičnice, a zatim ga ponovno spojite nakon otprilike 30 sekundi. Ako ni nako toga indikator ne treperi crveno (svake sekunde), punjač odnesite u ovlaštenu HiKOKI servis.

PRIJE UPORABE

Aktivnost	Slika	Stranica
Vađenje i umetanje baterije	2	379
Punjenje	3	380
Odabir pribora	—	385

1. Kako upravljati upravljačkom pločom**(1) Prekidač napajanja ON (Vidi sliku 4)**

Pod uvjetom "Prekidač napajanja OFF", pritisnite i držite prekidač napajanja dulje od 1 sekunde, a indikator napajanja svijetli zeleno.

NAPOMENA

Nemojte pritisnuti potisnu polugu i/ili povlačiti okidač tijekom postupka uključivanja prekidača napajanja. Time ćete spriječiti uključivanje prekidača napajanja.

[Automatsko isključivanje]

Kada je napajanje uključeno, ali se zakivač ne koristi 30 minuta, zakivač se automatski isključuje. Za ponovno uključivanje pritisnite prekidač napajanja.

UPOZORENJE

Nikada ne ostavljajte zakivač s uključenim napajanjem. To bi moglo rezultirati nesrećom.

(2) Prekidač napajanja OFF (Vidi sliku 4)

Pod uvjetom "Prekidač napajanja ON", pritisnite i držite prekidač napajanja dulje od 1 sekunde, a indikator napajanja se isključuje.

Pod uvjetom "Prekidač napajanja ON", aktivne su sljedeće funkcije.

(3) Odaberite način rada zakivača

(Potpuno sekvencijalno aktiviranje/kontaktno aktiviranje) Nakon što se prekidač napajanja uključi, kao početni režim rada uvijek postavite u režim punog sekvencijalnog aktiviranja. (Indikatorska lampica zakivanja svijetli plavom bojom.) (Vidi sliku 5)

Da biste promijenili način rada zakivanja, jednom pritisnite prekidač za način rada. Svakim pritiskom mijenja se način rada između "Puni sekvencijalni" i "Kontaktni". (Vidi sliku 6)

Svijetli (plavo):




PUNO SEKVENCIJALNO AKTIVIRANJE
MEHANIZMA,

Trepće (plavo):

KONTAKTNO AKTIVIRANJE MEHANIZMA

(4) Provjerite preostalu razinu napunjenosti baterije

Kada pritisnete prekidač indikatora baterije, indikator baterije pokazuje preostali nivo napunjenosti baterije prema statusu LED žarulje kao što je navedeno u nastavku.

Status indikatora	
 <p>Svijetle 2 LED-a (crveno)</p>	Preostala snaga baterije je dostatna.
 <p>1 LED svijetli (crveno)</p>	Preostala snaga baterije je oko pola.
 <p>1 LED treperi (crveno)</p>	Preostala snaga baterije - gotovo prazna. Napunite bateriju što je prije moguće.

Hrvatski

(5) Ostale funkcije

U slučaju pogreške u radu, LED žarulje svijetle kao u nastavku.

<p>Status indikatora</p>  <p>LED svjetlo</p> <p>LED svjetlo trepće u razmaku.</p> <ul style="list-style-type: none">• U slučaju pregrijanosti, trepće u intervalu od 1 sekunde.• U slučaju prehladnih uvjeta, trepće u intervalu od 0,5 sekundi. <p>Nakon 10 sekundi, LED svjetlo i prekidač napajanja se automatski isključuju.</p>	<p>Stroj je prehladan (ispod -5°C ili je pregrijan). Pustite da se zakivač temeljito ohladi ili zagrije u odgovarajućem stanju.</p>
 <p>2 LED-a trepere narančasto, a nakon 10 sekundi se automatski isključuje prekidač napajanja.</p>	<p>Kontaktirajte HiKOKI radi pregleda.</p>

(6) Kako koristiti LED svjetlo (Vidi sliku 7)

Dok je prekidač uključen, LED svjetlo će automatski osvijetliti vrh alata.


POZOR


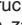
- Ne izlažite vaše oči svjetlu izravnim gledanjem u svjetlo. Ako je vaše oko stalno izloženo svjetlu, doći će do ozljeđivanja.
- Mekanom krpom obrišite svu prljavštinu ili čađu prilijepljenu na leću LED svjetla, pazeći da ne izgrebete leću. Ogrebotine na leći LED svjetla mogu dovesti do smanjene svjetlosti.

2. Mehanizam blokiranja okidača (Vidi sliku 8)

UPOZORENJE

Provjerite je li okidač zaključan kada ne ispaljujete čavle. Ovaj zakivač ima mehanizam za zaključavanje koji sprečava ispaljivanje čavala.

Postavite ručicu za zaključavanje prekidača u položaj  kako biste zaključali okidač.

Pomaknite ručicu za zaključavanje prekidača u položaj  kada se zakivač koristi i u položaj  kada nije u uporabi.

3. Ispitivanje zakivača

UPOZORENJE

- Provjerite je li okidač zaključan kada ne ispaljujete čavle. (Vidi sliku 8)
- Nemojte nikada koristiti zakivač ako potisna poluga ne radi ispravno. NT1865DBAL i NT1865DBSL koristi preventivni mehanizam za rad bez opterećenja. NT1865DBAL i NT1865DBSL ulazi u stanje u kojem se potisna poluga ne može gurnuti prema gore. To se događa kada spremnik nije napunjen čavlima ili kada preostali broj čavala postane manji od 6 ili 9.

POZOR

Pazite da ne gurate vrh potisne poluge na drvo. Prije nego što započnete s zakivanjem, testirajte zakivač upotrebom popisa za provjeru u nastavku. Provedite ispitivanja sljedećim redoslijedom.

Ako dođe do nepravilnog rada, prestanite koristiti zakivač i odmah kontaktirajte ovlašteni HiKOKI servisni centar.

(1) UKLONITE SVE ČAVLE I BATERIJU IZ ZAKIVAČA.

SVI VIJCI MORAJU BITI ZATEGNUTI.

POTISNA POLUGA I OKIDAČ SE MORAJU GLATKO KRETATI uz povlačenje hranilice za čavle (B). (NT1850DBSL: Nepotrebno povlačenje hranilice za čavle)

(2) Instalacija baterije.

Ne aktivirajte potisnu polugu ili okidač dok postavljate bateriju. (Vidi sliku 2)

(3) Uključite prekidač napajanja. (Vidi sliku 1)

Uključite prekidač napajanja pritiskom i držanjem prekidača napajanja dulje od 1 sekunde.

Uvjerite se da indikator napajanja svijetli zeleno, a indikator rada zakivača svijetli plavo. (PUNO SEKVENCIJALNO AKTIVIRANJE MEHANIZMA)

NAPOMENA

Nemojte pritisnuti potisnu polugu i/ili povlačiti okidač tijekom postupka uključivanja prekidača napajanja.

Time ćete spriječiti uključivanje prekidača napajanja.

[Automatsko isključivanje]

Kada je napajanje uključeno, ali se zakivač ne koristi 30 minuta, zakivač se automatski isključuje. Za ponovno uključivanje pritisnite prekidač napajanja.

UPOZORENJE

Nikada ne ostavljajte zakivač s uključenim napajanjem. To bi moglo rezultirati nesrećom.

Indikator rada s čavlima

Svijetli (plavo):

PUNO SEKVENCIJALNO AKTIVIRANJE MEHANIZMA,

Trepće (plavo):

KONTAKTNO AKTIVIRANJE MEHANIZMA

Uvjerite se da indikator baterije ne treperi.

Ako indikator baterije treperi crveno, baterija nema dovoljno energije i treba je napuniti.

(4) Uklonite prst s okidača i pritisnite potisnu polugu prema izratku uz povlačenje hranilice za čavle (B).

ZAKIVAČ NE SMIJE RADITI.

(5) Odvojite potisnu polugu od izratka.

Zatim, usmjerite zakivač prema dolje, uz povlačenje hranilice za čavle (B), povucite okidač i zatim pričekajte u tom položaju 5 sekundi ili dulje.

ZAKIVAČ NE SMIJE RADITI.

(6) ① Bez dodirivanja okidača, pritisnite potisnu polugu na izradak uz povlačenje hranilice za čavle (B). Zatim, povucite okidač.

ZAKIVAČ MORA RADITI.

② Držite okidač povučen i ponovno pritisnite potisnu polugu na izradak.

ZAKIVAČ NE SMIJE RADITI.

③ Odvojite prst od okidača. Zatim, ① se ponovno pokreće.

ZAKIVAČ MORA RADITI.

- (7) Odvojite potisnu polugu od izratka, povucite okidač. Pritisnite potisnu polugu prema izratku u roku od 2 sekunde.

ZAKIVAČ NE SMIJE RADITI.

- (8) Postavite trepereći indikator zakivača u ON način. (KONTAKTNO AKTIVIRANJE MEHANIZMA) Pritisnite jednom prekidač za upravljanje zakivačem, uvjerite se da indikator treperi plavo.

Odvojite potisnu polugu od izratka, povucite okidač. Pritisnite potisnu polugu prema izratku u roku od 2 sekunde.

ZAKIVAČ MORA RADITI.

- (9) Ako se ne primijeti nenormalan rad, možete napuniti čavle u zakivač.

Zakucajte čavle u izradak koji je iste vrste koji se koristi u stvarnoj primjeni.

ZAKIVAČ MORA ISPRAVNO RADITI.

4. Provjera rada potisne poluge UPOZORENJE

Provjerite je li okidač zaključan kada ne ispaljujete čavle. Prilikom provjere rada potisne poluge uvijek se uvjerite da je okidač zaključan, a baterija uklonjena iz električnog alata.

Provjerite da potisna poluga glatko klizi tijekom rada. Ako potisna poluga ne klizi glatko, očistite klizno područje.

5. Napunite čavle

UPOZORENJE

Prilikom punjenja čavala u zakivač,

- 1) uklonite bateriju iz zakivača;
- 2) ne povlačite okidač;
- 3) nemojte pritiskati potisnu polugu; i
- 4) držite zakivač prema dolje.

<NT1865DBAL, NT1865DBSL>

2-Postupak punjenja čavlima!

- (1) Umetnite traku s čavlima u stražnji dio spremnika. (Vidi **sluku 9**)

- (2) Gurnite traku s čavlima prema naprijed u spremnik. (Vidi **sluku 10**)

- (3) Gurnite ulagač čavala (A) za uključivanje ulagača čavala (B) na traku s čavlima. (Vidi **sluku 11**)

NAPOMENA

- Lagano gurnite ulagač čavala (A) i ulagač čavala (B) na čavao.

Ako se ulagač čavala (A) i ulagač čavala (B) ispuste sa zadnje strane spremnika i udare o čavao, može doći do oštećenja veziva između čavala.

- Koristite traku s više od 10 čavala.
- Koristite neprekinutu traku za čavle, s čavlima iste dužine.

Zakivač je sada spreman za rad.

Uklanjanje čavala:

- ① Povucite ulagač čavala (B) unatrag. (Vidi **sluku 12**)
- ② Vratite ulagač čavala (B) lagano prema naprijed dok pritiskate ulagač čavala (A).
- ③ Izvucite čavle sa stražnje strane spremnika. (Vidi **sluku 13**)

<NT1850DBSL>

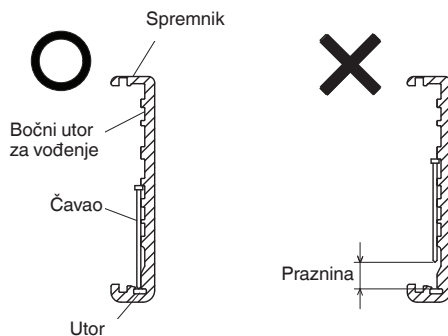
- (1) Lagano pritisnite ručicu za zaustavljanje i lagano izvucite poklopac spremnika. (Vidi **sluku 14**)

- (2) Postavite traku s čavlima u spremnik i držite čavle u kontaktu s utorom. (Vidi **sluku 15**)

NAPOMENA

Čavli prikazani na stranici 369 mogu se napuniti na bočni utor za vođenje spremnika bez ikakvog podešavanja.

Uvijek držite čavle u kontaktu s utorom.



- (3) Gurnite traku s čavlima u vodič oštrice. (Vidi **sluku 16**)

- (4) Uvjerite se da je traka s čavlima pravilno postavljena s bočnim žljebovima i utorom, a zatim gurnite poklopac spremnika prema naprijed kako biste ga zatvorili.

KAKO KORISTITI ZAKIVAČ

UPOZORENJE

- NIKAD ne usmjeravajte alat na sebe ili ostale u radnom području.
- Držite prste **DALJE** od okidača kada ne zakucavate čavle da biste izbjegli slučajno okidanje.
- Nemojte koristiti električni kabel ako je oštećen. Odmah ga dajte popraviti.
- Izbor metode okidanja je važan.
- Pročitajte i shvatite "1. Postupci za zakivanje" koji se nalaze u nastavku.
- Prije početka rada provjerite uređaj za uključivanje zakivača.
- Ovaj HiKOKI zakivač opremljen je uređajem za uključivanje.
- Prije početka rada uvjerite se da je uređaj za uključivanje pravilno postavljen.
- Ako uređaj za uključivanje nije ispravno postavljen, zakivač neće ispravno raditi.
- Tijekom upotrebe nikada ne stavljajte lice, ruke ili noge blizu glave uređaja.
- Nemojte zakivati čavle preko drugih čavala ili s zakivačem pod previše strmim kutom; čavli se mogu odbiti i povrijediti nekoga.
- Ne zakivajte čavle u tanke ploče ili blizu uglova i rubova izratka. Čavli se mogu kretati kroz ili dalje od izratka i udariti nekoga.
- Nikada ne zabijajte čavle s obje strane zida istovremeno. Čavli se mogu zabiti u i proći kroz zid i udariti osobu na suprotnoj strani.
- Nikada nemojte koristiti zakivač koji je neispravan ili radi neuoobičajeno.
- Nemojte koristiti zakivač kao čekić.
- Uklonite sve preostale čavle i bateriju iz zakivača kada:
 - 1) radite održavanje i inspekciju;
 - 2) provjeravate pravilan rad potisne poluge i okidača;
 - 3) pričvršćujete ili uklanjate poklopac nosa;
 - 4) uklanjate zaglavljenosti;
 - 5) nije u uporabi;
 - 6) napuštate radno mjesto;
 - 7) premještate ga na drugu lokaciju;
 - 8) predajete ga drugoj osobi.
- Uklonite bateriju iz zakivača kada:
 - 1) punite čavle;
 - 2) okrećete regulator.

Hrvatski

Ovaj HiKOKI zakivač opremljen je uređajem za uključivanje zakivača.

Koristite PUNO SEKVENCIJALNO AKTIVIRANJE MEHANIZMA ili KONTAKTNO AKTIVIRANJE MEHANIZMA u skladu s poslom koji treba obaviti.

Objašnjenje različitih operacija zakivanja

○ PUNO SEKVENCIJALNO AKTIVIRANJE MEHANIZMA: Najprije pritisnite potisnu polugu prema drvu; zatim povucite okidač kako biste ispallili čavao.

Slijedite isti slijed kako biste nastavili zakivati čavle.

Nakon jednog zakivanja, ponovno zabijanje čavala neće biti moguće dok ne uklonite prst s okidača i potpuno ne podignete alat s drvne površine.

○ KONTAKTNO AKTIVIRANJE MEHANIZMA:

KONTAKTNO AKTIVIRANJE može slijediti dvije različite sekvence, ovisno o vašoj upotrebi.

Za zabijanje nekoliko čavala:

1. Povucite okidač.
2. Pritisnite potisnu polugu prema drvetu da biste zabili čavao.
3. Ako se okidač drži povučeni, svaki put kada se potisna poluga pritisne na drvo, zabija se čavao.

Za zabijanje jednog čavla:

1. Pritisnite potisnu polugu prema drvetu.
2. Povucite okidač kako biste zabili čavao.
3. Uklonite prst s okidača i uklonite zakivač s drveta.

[Suhi protu požarni mehanizam]

NT1865DBAL i NT1865DBSL koristi preventivni mehanizam za rad bez opterećenja.

NT1865DBAL i NT1865DBSL ulazi u stanje u kojem se potisna poluga ne može gurnuti prema gore. To se događa kada spremnik nije napunjen čavlima ili kada preostali broj čavala postane manji od 6 ili 9.

POZOR

Budite oprezni da ne gurate vrh potisne poluge na drvo kada se potisna poluga ne može gurnuti prema gore.

1. Postupci zakivanja

Ovaj zakivač opremljen je potisnom polugom i ne radi ako se potisna poluga ne pritisne.

S ovim zakivačem postoje dva načina rada za zabijanje čavala.

Oni su:

1. Isprekidani rad (Aktiviranje okidača);
2. Kontinuirani rad (Okidanje potisnom polugom);

(1) Isprekidani rad (Aktiviranje okidača)

Upotrijebite postavku PUNO SEKVENCIJALNO AKTIVIRANJE MEHANIZMA. (Vidi **sliku 17**)

UPOZORENJE

○ Za rad s prekidima, prebacite prekidač rada zakivača na PUNO SEKVENCIJALNO AKTIVIRANJE MEHANIZMA (Indikator rada zakivanja je svijetlo plave boje.) (tj. postavite na MEHANIZAM ZA JEDNO AKTIVIRANJE.)

○ Da biste izbjegli dvostruko okidanje ili slučajno okidanje zbog trzaja.

1) Izvadite na PUNO SEKVENCIJALNO AKTIVIRANJE MEHANIZMA.

2) Povucite okidač brzo i čvrsto.

① Postavite prekidač rada zakivača na PUNO SEKVENCIJALNO AKTIVIRANJE MEHANIZMA (Indikator lampica zakivanja svijetli plavom bojom.) (za postavljanje PUNOG SEKVENCIJALNOG AKTIVIRANJA MEHANIZMA).

(Potpuno postavite prekidač za izmjenu načina rada na plavo svjetlo indikatora, kao što je prikazano na **slici 17**. U suprotnom, bit će postavljen na KONTAKTNO AKTIVIRANJE MEHANIZMA.)

② Postavite otvor za izlaz čavala na izradak, s prstom koji nije na okidaču.

③ Čvrsto pritisnite potisnu polugu dok nije u cijelosti sabijena.

④ Povucite okidač kako biste zabili čavao.

⑤ Uklonite prst s okidača i u cijelosti podignite alat s površine drva.

Da biste nastavili zabijanje na drugom mjestu, pomičite zakivač duž drva, ponavljajući prethodne korake ② - ⑤ po potrebi.

NAPOMENA

Operacije ③ i ④ treba izvršiti unutar 2 sekunde jednu od druge. Ako prođe više od 2 sekunde nakon ③, zakivač neće raditi ispravno. Ako se to dogodi, ponovno pokušajte od točke ③.

(2) Kontinuirani rad (Okidanje potisnom polugom)

Korištenje KONTAKTNOG AKTIVIRANJA MEHANIZMA (Vidi **sliku 18**)

UPOZORENJE

Da biste izbjegli dvostruko okidanje ili slučajno okidanje zbog trzaja.

- 1) Nemojte pritisniti zakivač pretjeranom silom na drvo.
- 2) Odvojite zakivač od drva dok se vraća unatrag nakon zakivanja.

① Postavite prekidač rada zakivača na KONTAKTNO AKTIVIRANJE MEHANIZMA (Indikator lampica zakivanja treperi plavom bojom.) (postaviti na KONTAKTNO AKTIVIRANJE MEHANIZMA). (Potpuno postavite prekidač za izmjenu načina rada na trepereće plavo svjetlo indikatora, kao što je prikazano na **slici 18**. U suprotnom neće raditi ispravno.)

② Povucite okidač s zakivačem podignutim s izratka.

③ Pritisnite potisnu polugu prema izratku da biste zabili čavao.

④ Pomaknite zakivač duž izratka odskočnim pokretom.

Svako pritisnjanje potisne poluge zabija čavao.

Čim se zabije željeni broj čavala, uklonite prst s okidača.

NAPOMENA

Operacije ② i ③ treba izvršiti unutar 2 sekunde jednu od druge. Ako prođe više od 2 sekunde nakon ②, zakivač neće raditi ispravno. Ako se to dogodi, ponovno pokušajte od točke ②.

UPOZORENJE

○ Držite prst dalje od okidača, osim tijekom operacije zabijanja, jer može doći do ozbiljnih ozljeda, ako potisna poluga slučajno dođe u kontakt s vama ili drugima u radnom području.

○ Držite ruke i tijelo dalje od područja ispuštanja čavala. Ovaj HiKOKI zakivač može odskočiti zbog trzaja kod zbijanja čavla i može doći do opaljenja naknadnih, neželjenih čavala, što može uzrokovati ozljede.

NAPOMENA

○ Ako se poštuju sva upozorenja i upute, s oba sustava je moguć siguran rad: PUNO SEKVENCIJALNO AKTIVIRANJE MEHANIZMA, KONTAKTNO AKTIVIRANJE MEHANIZMA.

○ Uvijek pažljivo rukujte s čavlima i pakiranjem. Ako se čavli ispušte, može doći do pucanja veze, što može uzrokovati pogrešno napajanje i zaglavljivanje.

○ Nakon zakivanja:

- 1) uklonite bateriju iz zakivača;
- 2) izvadite sve čavle iz zakivača;

2. Podešavanje dubine zabijanja

Kako biste osigurali da svaki čavao prođe na istu dubinu, pazite da se zakivač uvijek čvrsto drži na izratku. Ako se čavli zabiju previše duboko ili plitko u izradak, podesite zabijanje sljedećim redoslijedom.

① Uklonite bateriju iz zakivača.

② Ako su čavli previše duboki, okrenite regulator na plitku stranu. (Vidi **sliku 19**)

Podešavanje su u koracima od pola kruga.

Ako su čavli previše plitki, okrenite regulator na duboku stranu. (Vidi **sliku 20**)

③ Zaustavite okretanje regulatora kada dostignete odgovarajući položaj za vršenje ispitivanje zabijanja.

④ Priključite bateriju na zakivač.

UVIJEK NOSITE ZAŠTITNE NAOČALE.

Izvršite ispitivanje zabijanja.

⑤ Uklonite bateriju iz zakivača.

⑥ Odaberite odgovarajući položaj regulatora.

3. Korištenje kuke (Vidi slike 21, 22, 23)**UPOZORENJE**

Kada koristite kuku, isključite prekidač napajanja (zeleno svjetlo "OFF"). Obratite dovoljno pozornosti da glavna oprema ne padne.

Ako alat padne, postoji opasnost od nezgode.

Kuka se može postaviti s lijeve ili desne strane. (isključujući NT1865DBAL)

- ① Izvadite bateriju, a zatim uklonite sve preostale čavle iz spremnika.
- ② Čvrsto držite glavnu jedinicu i izvadite vijak pomoću odvijača. (Vidi **sliku 21**)
- ③ Uklonite ploču kuke i kuke. (Vidi **sliku 22**)
- ④ Postavite kuku na drugu stranu i čvrsto je učvrstite vijkom. (Vidi **sliku 23**)

NAPOMENA

Kuka se može koristiti kao vješalica.

4. Korištenje poklopca nosa (Vidi slike 24, 25)**UPOZORENJE**

Prilikom pričvršćivanja ili skidanja poklopca nosa, pazite da uklonite prst s okidača i uklonite sve preostale čavle i bateriju iz zakivača.

Ako želite zaštititi površinu izratka od ogrebotina ili oznaka napravljenih potisnom polugom, pričvrstite dodatni poklopac nosa na potisnu polugu.

- ① Uklonite sve preostale čavle i bateriju iz zakivača.
- ② Stavite poklopac nosa na vrh poluge.
- ③ Poklopac nosa je označen kako bi označio izlaznu točku čavla, što olakšava poravnanje.
- ④ Kada ne koristite poklopac nosa, osigurajte ga u pretincu za pohranu koji se nalazi na poleđini spremnika.

NAPOMENA

Poklopac nosa može smanjiti dubinu zabijanja zbog svoje debljine. Potrebno je ponovno podesiti dubinu zabijanja.

5. Uklanjanje zaglavljenosti

Ako su čavli zaglavljeni u glavi za zabijanje, uklonite ih i namjestite zabijanje sljedećim redoslijedom.

POZOR

Uklonite bateriju iz zakivača.

- ① Uklonite bateriju iz zakivača.
- ② Uklonite sve čavle.
- ③ Otpustite ručicu za zaključavanje i otvorite ploču za vođenje. (Vidi **sliku 26**)
- ④ Uklonite zaglavljeni čavao pomoću odvijača s prorezom. (Vidi **sliku 27**)

POZOR

- NIKADA ne udarajte oštricu zakivača.
- NIKADA ne usmjeravajte alat prema sebi ili prema nekoj drugoj osobi, kako biste izbjegli opasnost od ozljeda zbog pogrešnog opaljenja.
- Čak i ako se baterija izvadi iz zakivača, unutar njega ostaje energija komprimiranog zraka.

- ⑤ Zatvorite ploču vodilice i zasun.

NAPOMENA

U slučaju čestog zaglavlivanja, kontaktirajte ovlašten servisni centar HiKOKI.

ODRŽAVANJE I INSPEKCIJA**POZOR**

Pobrinite se da uklonite sve preostale čavle elemente i bateriju iz zakivača prije održavanja i pregleda.

1. Pregledavanje spremnika

- ① Uklonite bateriju iz zakivača.
- ② Očistite spremnik. Uklonite prašinu i drvene komadiće koji su se nakupili u spremniku.

POZOR

Uvjerite se da glagač čavala glatko klizi kada ga povučete prstom.

Ako se ne kreće glatko, čavli se mogu zabijati pod nepravilnim kutom i povrijediti nekoga.

2. Provjera vijaka

Redovito pregledavajte sve vijke i osigurajte da su pravilno zategnuti. Ukoliko se bilo koji vijak otpusti, odmah ga zategnite. Nepridržavanje ovih naputaka može uzrokovati ozbiljne opasnosti.

3. Održavanje motora

Jedinica s namotom motora samo je "srce" električnog alata. Posebno pazite da se namot ne ošteti i/ili smooči djelovanjem ulja ili vode.

4. Pregled terminala (alat i baterija)

Provjerite da strugotine i prašina nisu nakupljeni na terminalima.

Povremeno provjerite prije, za vrijeme i nakon rada.

POZOR

Uklonite strugotine ili prašinu ukoliko su se nakupili na terminalima.

Ako to ne učinite može doći do kvara.

5. Vanjsko čišćenje

Kad je električni alat prljav, obrišite mekom suhom krpom ili krpom navlaženom sapunicom. Ne koristite otapala na bazi klora, benzin ili razrjeđivač, jer otapaju plastiku.

6. Skladištenje

Električni alat čuvajte na mjestu na kojem je temperatura manja od 40°C i izvan dosega djece.

NAPOMENA

Skladištenje litij-ionskih baterija.

Uvjerite se da su litij-ionske baterije napunjena prije nego ih spremite.

Dugotrajno skladištenje (3 mjeseca ili duže) baterija s niskim nabojem može dovesti do pogoršanja performansi, značajno smanjiti korisno vrijeme baterije ili uzrokovati nemogućnost baterije da zadrži punjenje.

Međutim, značajno smanjeno vrijeme korištenja baterije može se oporaviti višekratnim punjenjem i korištenjem baterije dva do pet puta.

Ako je vrijeme trajanja baterije izuzetno kratko unatoč ponovljenom punjenju i uporabi, baterija je najvjerojatnije istrošena. U tom slučaju nabavite novu bateriju.

POZOR

Tijekom rada i održavanja električnih alata, potrebno je pridržavati se sigurnosnih propisa i standarda propisanih u svakoj zemlji.

Važna obavijest za baterije za HiKOKI bežični električni alat

Molimo uvijek koristite naše originalne baterije. Ne možemo jamčiti sigurnost i učinkovitost našeg bežičnog električnog alata ako se koristi s drugim baterijama, ili kad se baterije rastavljaju i mijenjaju (kao što je demontaža i zamjena čelija ili drugih unutarnjih dijelova).

JAMSTVO

Jamčimo da HiKOKI električni alat udovoljava zakonskim propisima. Ovo jamstvo ne pokriva oštećenja nastala pogrešnom uporabom, zlorabom, ili normalnim trošenjem. U slučaju prigovora, nerastavljen električni alat zajedno s POTVRDOM O JAMSTVU na kraju ovih uputa pošaljite ovlaštenom HiKOKI servisu.

Informacije o buci

Vrijednosti karakteristika buke u skladu s EN 60745:

Tipična A-ponderirana razina zvučne snage jednog događaja $L_{WA, 1s, d} = 92$ dB

Tipična A-ponderirana razina zvučnog tlaka emisije jednog događaja na radnom mjestu $L_{pA, 1s, d} = 81$ dB

Nesigurnost KpA: 3 dB

Ove su vrijednosti karakteristične vrijednosti alata i ne predstavljaju razinu buke na mjestu uporabe. Razina buke na mjestu uporabe ovisit će, primjerice, o radnoj okolini, izratku, nosaču izratka i broju operacija zabijanja itd.

Ovisno o uvjetima na radnom mjestu i obliku izratka, mogu se provoditi pojedinačne mjere prigušenja buke, kao što su postavljanje izradaka na potporne prigušivače zvuka, sprečavanje vibracija izratka pomoću stezanja ili prekrivanja itd.

U posebnim slučajevima potrebno je nositi opremu za zaštitu sluha.

Informacije o vibracijama

Tipična vrijednost karakteristika vibracija je u skladu s EN 60745: 2,6 m/s²

Nesigurnost K: 1,5 m/s²

Ove vrijednosti predstavljaju karakterističnu vrijednost alata i ne predstavljaju utjecaj na sustav šaka-ruka kada se koristi alat. Utjecaj na sustav šaka-ruka pri korištenju alata ovisit će primjerice o sili stezanja, pritisnoj sili, smjeru djelovanja, podešavanju opskrbe energijom, izratku, osloncu izratka.

Naznačena ukupna vrijednost vibracija izmjerena je u skladu sa standardnim metodama ispitivanja, a može se koristiti za međusobne usporedbe alata.

Također se može koristiti za preliminarnu procjenu izloženosti.

UPOZORENJE

- Emisija vibracija prilikom stvarnog korištenja električnog alata može se razlikovati od izjavljenih ukupnih vrijednosti ovisno u načinu na koji se alat koristi.
- Osigurajte sigurnosne mjere zaštite za osobe koje koriste alat, a koje se temelje na procjeni izloženosti u stvarnim uvjetima uporabe (uzimajući u obzir sve dijelove operativnog ciklusa, kao što su vremena kada je uređaj isključen, i kada radi u praznom hodu, zajedno s vremenom aktivnog korištenja).

NAPOMENA

Zbog kontinuiranog programa istraživanja i razvoja tvrtke HiKOKI, ovdje navedene specifikacije mogu se promijeniti bez prethodne najave.



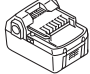
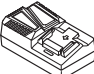


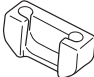
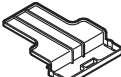
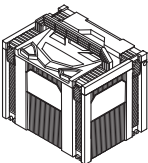
Tablica održavanja

AKTIVNOST	ZAŠTO	KAKO
Čišćenje mehanizma spremnika i dodavača.	Spriječite zaglavljivanje.	Dnevno očistite komprimiranim zrakom.
Održavajte rad potisne poluge ispravnim.	Promičite sigurnost operatera i učinkoviti rad zakivača.	Dnevno očistite komprimiranim zrakom.

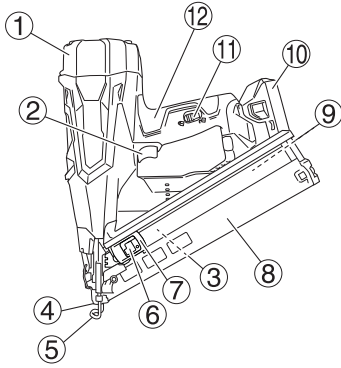
PROBLEMI

Koristite oznake iz tablice u nastavku, ako alat ne radi normalno. Ako ni to ne dokine problem, javite se preprodavaču u ovlaštenom HiKOKI servisnom centru.

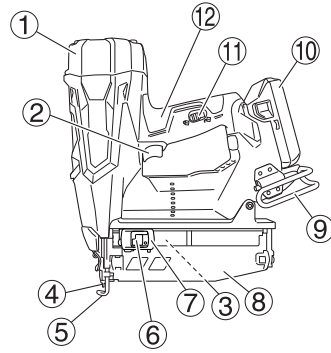
PROBLEM	METODA PROVJERE	ISPRAVAK
Prekidač napajanja se ne uključuje. Uključite jednom, ali isključite automatski.	Niska napunjenost baterije.	Napunite bateriju.
	Oštećena unutarnja elektronika.	Kontaktirajte HiKOKI za zamjenu.
	Ručica i/ili okidač su uključeni?	Držite pritisnu polugu i okidač u isključenom stanju.
	Ne vršite nijednu operaciju dulje od 30 minuta? (Funkcija automatskog isključivanja)	Pritisnite i držite prekidač napajanja dulje od 1 sekunde da biste uključili "ON"
Zakivač ne radi (Prekidač napajanja ON)	Zakivač nije dovoljno pritisnut na izradak.	Čvrsto držite zakivač i pritisnite do izratka.
	Okidač nije dovoljno povučen.	Čvrsto povucite okidač.
	Prošlo je više od 2 sekunde od guranja potisne poluge do povlačenja okidača (ili povlačenja okidača do guranja potisne poluge).	Uvjerite se da između guranja potisne poluge i povlačenja okidača (ili između povlačenja okidača i guranja potisne poluge) prođe manje od 2 sekunde.
	Aktiviran je preventivni mehanizam. (Nema čavala ili ih je ostalo premalo) (isključujući NT1850DBSL)	Napunite čavle u spremnik.
	Ručica za zaključavanje prekidača (funkcija blokiranja okidača) je u položaju "ON".	Postavite ručicu za zaključavanje prekidača u položaj "OFF". (Pogledajte sliku 8)
	Stroj je prehladan (ispod -5°C) ili je pregrijan. (LED žaruljica trepće u redovitim razmacima, a prekidač napajanja se isključuje nakon 10 sekundi.) (Vidi stranicu 372)	Pustite da se zakivač temeljito ohladi ili zagrije u odgovarajućem stanju.
Zakivač radi, ali čavao nije zabijen.	Oštećena unutarnja elektronika.	Kontaktirajte HiKOKI za zamjenu.
	Spremnik je prljav.	Ispraznite i očistite spremnik.
	Provjerite ima li zaglavljenja.	Uklonite zaglavljenje (vidi slike 26, 27).
	Oštrica zakivača je istrošena ili oštećena?	Kontaktirajte HiKOKI za zamjenu.
	Opruga je oslabljena ili oštećena?	Zamijenite opružnu traku.
	Ulagač čavala je oštećen?	Zamijenite ulagač čavala.
Slabo zabijanje. Usporite do ciklusa.	Provjerite položaj regulatora za podešavanje dubine čavala.	Ponovo podesite prema slici 19, 20 .
	Oštrica zakivača je istrošena?	Kontaktirajte HiKOKI za zamjenu.
	Pritisak komprimiranog zraka postao je nizak.	Kontaktirajte HiKOKI za zamjenu.
	Oštećena unutarnja elektronika.	Kontaktirajte HiKOKI za zamjenu.
Preduboko zabijanje.	Provjerite položaj regulatora za podešavanje dubine čavala.	Ponovo podesite prema slici 19, 20 .
Preskakanje čavala. Isprekidano napajanje.	Provjerite ispravnost čavala.	Koristite samo preporučene čavle.
	Ulagač čavala je oštećen?	Zamijenite ulagač čavala.
	Opruga je oslabljena ili oštećena?	Zamijenite opružnu traku.
	Oštrica zakivača je istrošena ili oštećena?	Kontaktirajte HiKOKI za zamjenu.
Zaglavljenje čavala. Zabijeni čavao je savijen.	Provjerite ispravnost čavala.	Koristite samo preporučene čavle.
	Oštrica zakivača je istrošena ili oštećena?	Kontaktirajte HiKOKI za zamjenu.

	NT1865DBAL		NT1865DBSL			NT1850DBSL	
		(NN)		(NN)	(NNP)		(NN)
	1	1	1	1	1	1	1
 /  BSL1830C / BSL1850	2	—	2	—	—	2	—
 /  UC18YFSL / UC18YML2	1	—	1	—	—	1	—
	1	1	1	1	1	—	—
	—	—	—	—	—	2	2
	1	—	1	—	—	1	—
	1	—	1	—	1	1	—

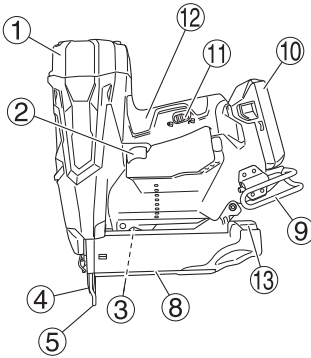
1



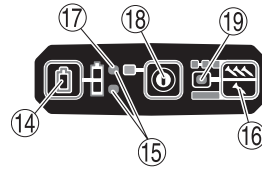
<NT1865DBAL>



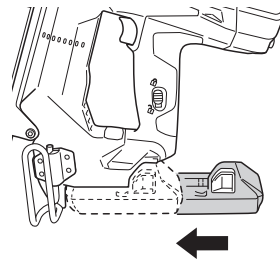
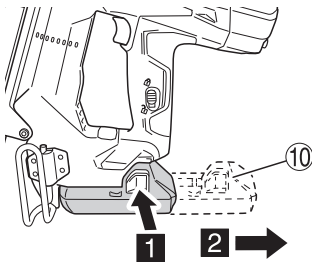
<NT1865DBSL>



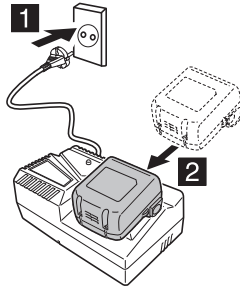
<NT1850DBSL>



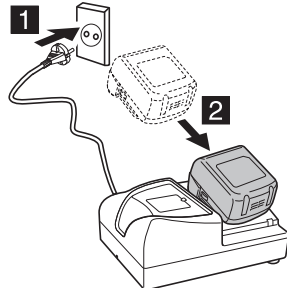
2



3

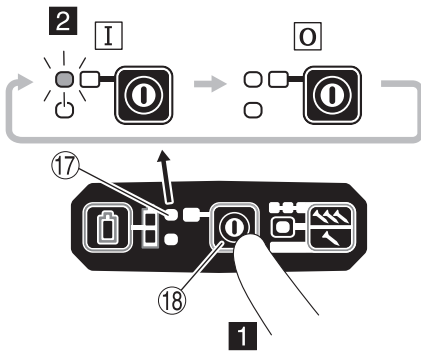


<UC18YFSL>

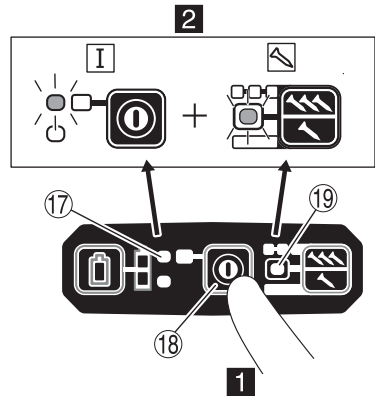


<UC18YML2>

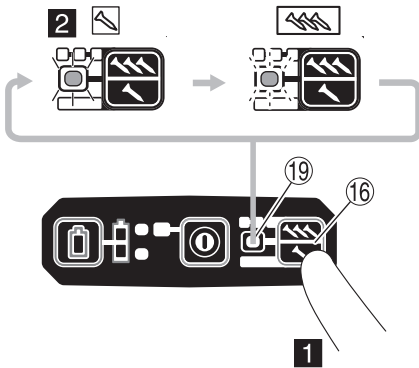
4



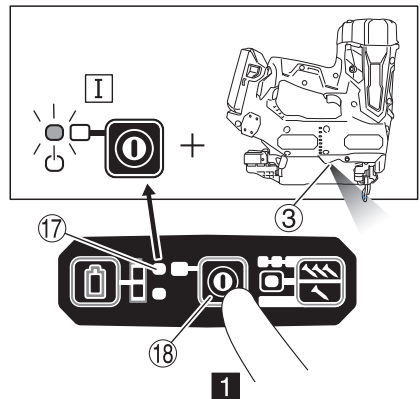
5

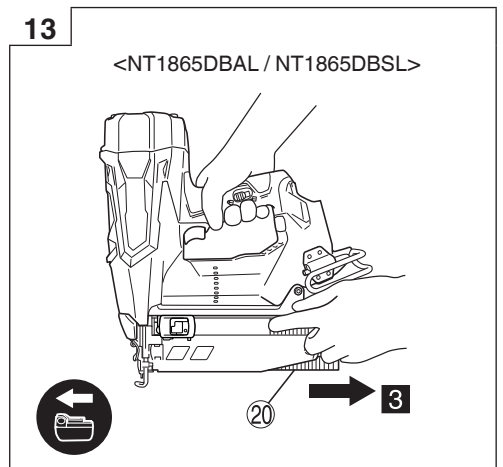
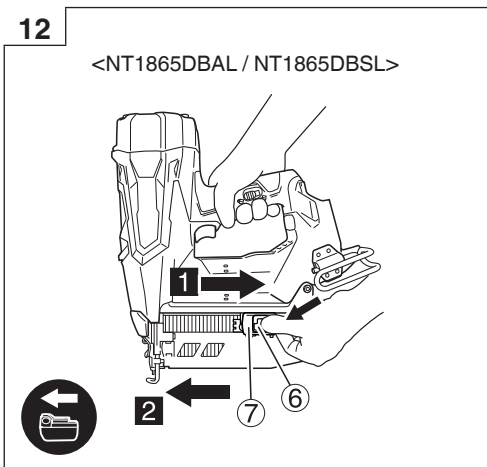
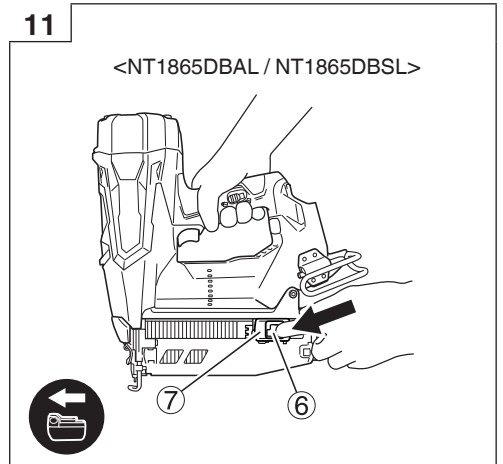
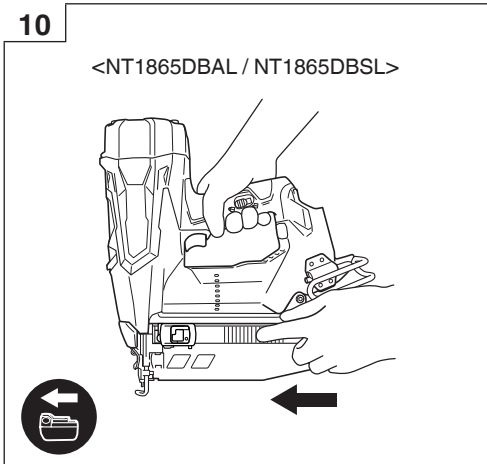
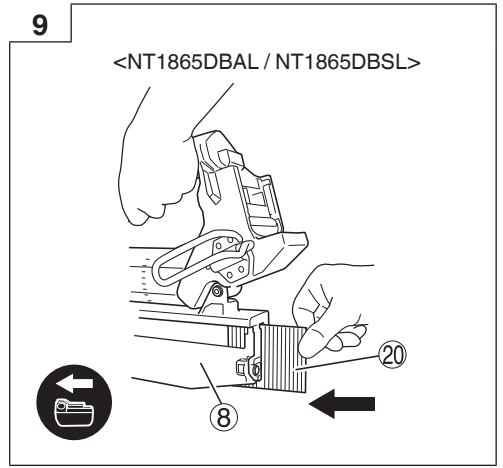
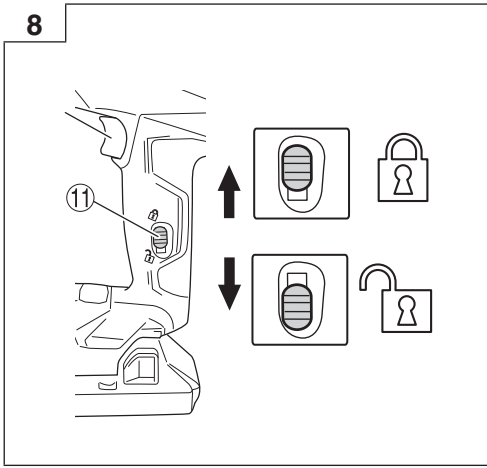


6



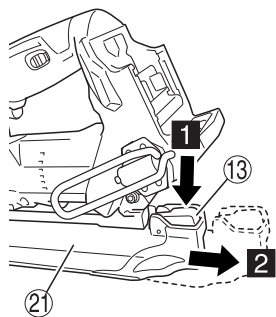
7





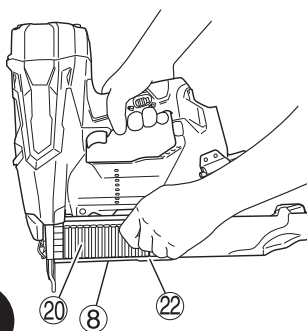
14

<NT1850DBSL>



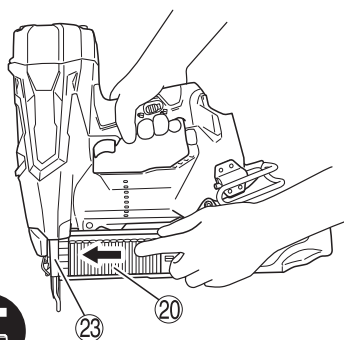
15

<NT1850DBSL>

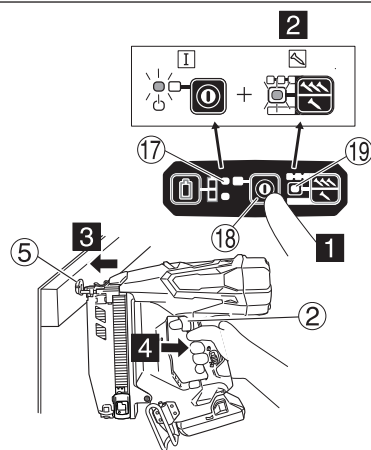


16

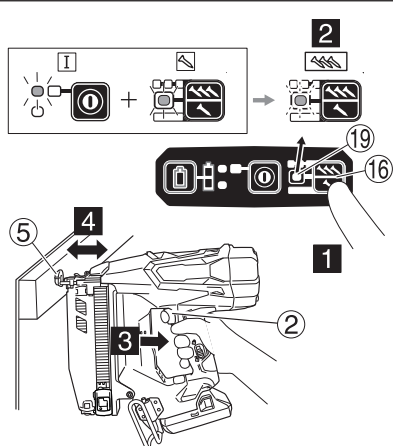
<NT1850DBSL>



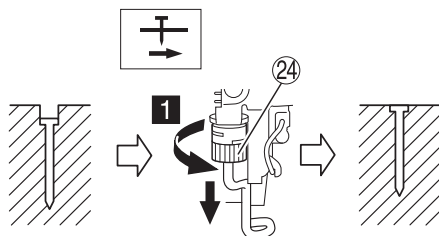
17



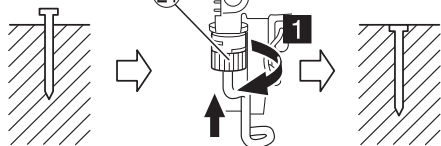
18



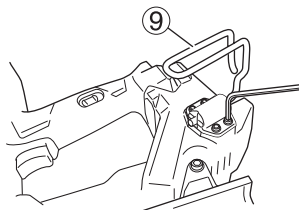
19



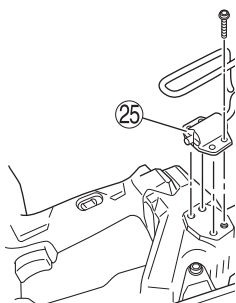
20



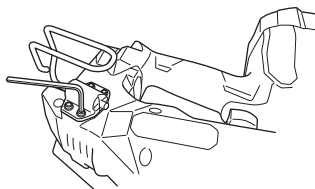
21



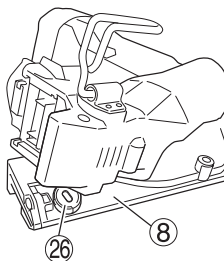
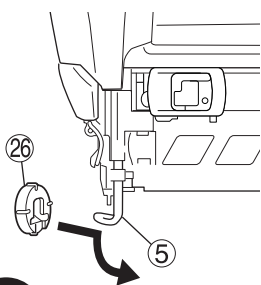
22



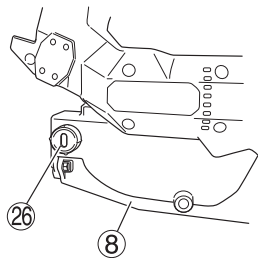
23



24

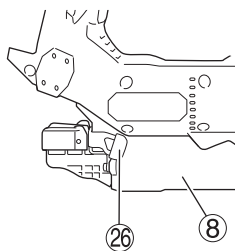
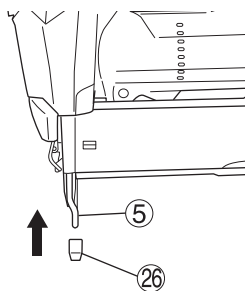


<NT1865DBAL>



<NT1865DBSL>

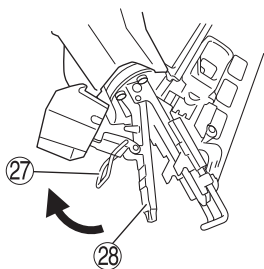
25



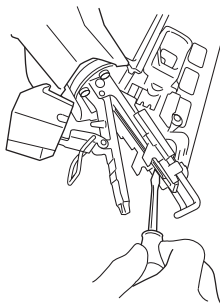
<NT1850DBSL>

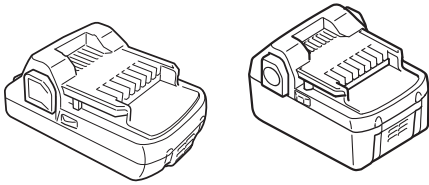


26

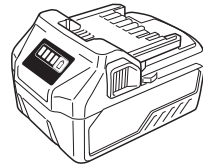


27

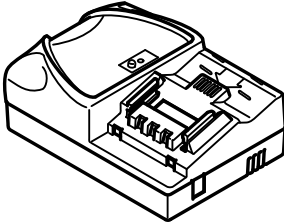




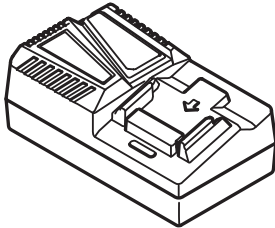
BSL18..



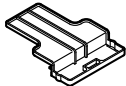
BSL36..18



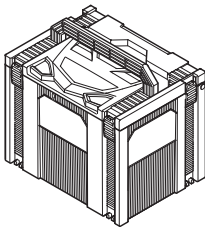
UC18YML2 (14,4V - 18V)



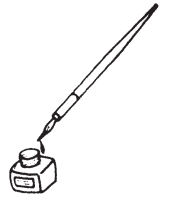
UC18YFSL (14,4V - 18V)



329897



337528



<p>English</p> <p>GUARANTEE CERTIFICATE</p> <ol style="list-style-type: none"> Model No. Serial No. Date of Purchase Customer Name and Address Dealer Name and Address (Please stamp dealer name and address) 	<p>Dansk</p> <p>GARANTIBEVIS</p> <ol style="list-style-type: none"> Modelnummer Serienummer Købsdato Kundes navn og adresse Forhandlers navn og adresse (Indsæt stempel med forhandlers navn og adresse) 	<p>Română</p> <p>CERTIFICAT DE GARANȚIE</p> <ol style="list-style-type: none"> Model nr. Nr. de serie Data cumpărării Numele și adresa clientului Numele și adresa distribuitorului (Vă rugăm aplicați ștampila cu numele și adresa distribuitorului)
<p>Deutsch</p> <p>GARANTIESCHEIN</p> <ol style="list-style-type: none"> Modell-Nr. Serien-Nr. Kaufdatum Name und Anschrift des Kunden Name und Anschrift des Händlers (Bitte mit Namen und Anschrift des Händlers abstempeln) 	<p>Norsk</p> <p>GARANTISERTIFIKAT</p> <ol style="list-style-type: none"> Modellnr. Serienr. Kjøpsdato Kundens navn og adresse Forhandlerens navn og adresse (Vennligst stemple forhandlerens navn og adresse) 	<p>Slovenščina</p> <p>GARANCIJSKO POTRDILO</p> <ol style="list-style-type: none"> Št. modela Serijska št. Datum nakupa Ime in naslov kupca Ime in naslov prodajalca (Prosimo vtisnite žig z imenom in naslovom prodajalca)
<p>Français</p> <p>CERTIFICAT DE GARANTIE</p> <ol style="list-style-type: none"> No. de modèle No de série Date d'achat Nom et adresse du client Nom et adresse du revendeur (Cachet portant le nom et l'adresse du revendeur) 	<p>Suomi</p> <p>TAKUUTODISTUS</p> <ol style="list-style-type: none"> Malli nro Sarja nro Ostopäivämäärä Asiakkaan nimi ja osoite Myyjän nimi ja osoite (Leimaa myyjän nimi ja osoite) 	<p>Slovenčina</p> <p>ZÁRUČNÝ LISTA</p> <ol style="list-style-type: none"> Č. modelu Sériové č. Dátum zakúpenia Meno a adresa zákazníka Názov a adresa predajcu (Pečiatka s názvom a adresou predajcu)
<p>Italiano</p> <p>CERTIFICATO DI GARANZIA</p> <ol style="list-style-type: none"> Modello N° di serie Data di acquisto Nome e indirizzo dell'acquirente Nome e indirizzo del rivenditore (Si prega di apporre il timbro con questi dati) 	<p>Ελληνικά</p> <p>ΠΙΣΤΟΠΟΙΗΤΙΚΟ ΕΓΓΥΗΣΗΣ</p> <ol style="list-style-type: none"> Αρ. Μοντέλου Αύξων Αρ. Ημερομηνία αγοράς Όνομα και διεύθυνση πελάτη Όνομα και διεύθυνση μεταπωλητή (Παρακαλούμε να χρησιμοποιηθεί σφραγίδα) 	<p>Български</p> <p>ГАРАНЦИОНЕН СЕРТИФИКАТ</p> <ol style="list-style-type: none"> Модел № Сериен № Дата за закупуване Име и адрес на клиента Име и адрес на търговеца (Моля, отпечатайте името и адрес на дилъра)
<p>Nederlands</p> <p>GARANTIEBEWIJS</p> <ol style="list-style-type: none"> Modelnummer Serienummer Datum van aankoop Naam en adres van de gebruiker Naam en adres van de handelaar (Stempel a.u.b. naam en adres vande de handelaar) 	<p>Polski</p> <p>GWARANCJA</p> <ol style="list-style-type: none"> Model Numer seryjny Data zakupu Nazwa Klienta i adres Nazwa dealera i adres (Pieczęć punktu sprzedaży) 	<p>Srpski</p> <p>GARANTNI SERTIFIKAT</p> <ol style="list-style-type: none"> Br. modela. Serijski br. Datum kupovine Ime i adresa kupca Ime i adresa prodavca (Molimo da stavite pečat na ime i adresu trgovca)
<p>Español</p> <p>CERTIFICADO DE GARANTÍA</p> <ol style="list-style-type: none"> Número de modelo Número de serie Fecha de adquisición Nombre y dirección del cliente Nombre y dirección del distribuidor (Se ruega poner el sello del distribuidor con su nombre y dirección) 	<p>Magyar</p> <p>GARANCIA BIZONYLAT</p> <ol style="list-style-type: none"> Típuszám Sorozatszám A vásárlás dátuma A Vásárló neve és címe A Kereskedő neve és címe (Kérjük ide elhelyezni a Kereskedő nevének és címének pecsétjét) 	<p>Hrvatski</p> <p>JAMSTVENI CERTIFIKAT</p> <ol style="list-style-type: none"> Br modela. Serijski br. Datum kupnje Ime i adresa kupca Ime i adresa trgovca (Molimo stavite pečat na ime i adresu trgovca)
<p>Portugués</p> <p>CERTIFICADO DE GARANTIA</p> <ol style="list-style-type: none"> Número do modelo Número do série Data de compra Nome e morada do cliente Nome e morada do distribuidor (Por favor, carimbe o nome e morada do distribuidor) 	<p>Čeština</p> <p>ZÁRUČNÍ LIST</p> <ol style="list-style-type: none"> Model č. Série č. Datum nákupu Jméno a adresa zákazníka Jméno a adresa prodejce (Prosíme o razítko se jménem a adresou prodejce) 	
<p>Svenska</p> <p>GARANTICERTIFIKAT</p> <ol style="list-style-type: none"> Modellnr Serienr Inköpsdatum Kundens namn och adress Försäljarens namn och adress (Stämpla försäljarens namn och adress) 	<p>Türkçe</p> <p>GARANTİ SERTİFİKASI</p> <ol style="list-style-type: none"> Model No. Seri No. Satın Alma Tarihi Müşteri Adı ve Adresi Bayi Adı ve Adresi (Lütfen bayi adını ve adresini kaşe olarak basın) 	

HIKOKI

①	
②	
③	
④	
⑤	



Hikoki Power Tools Deutschland GmbH

Siemensring 34, 47877 Willich, Germany
Tel: +49 2154 49930
Fax: +49 2154 499350
URL: <http://www.hikoki-powertools.de>

Hikoki Power Tools Netherlands B.V.

Brabanthaven 11, 3433 PJ Nieuwegein, The Netherlands
Tel: +31 30 6084040
Fax: +31 30 6067266
URL: <http://www.hikoki-powertools.nl>

Hikoki Power Tools (U.K.) Ltd.

Precedent Drive, Rooksley, Milton Keynes, MK 13, 8PJ,
United Kingdom
Tel: +44 1908 660663
Fax: +44 1908 606642
URL: <http://www.hikoki-powertools.uk>

Hikoki Power Tools France S.A.S.

Parc de l'Eglantier 22, rue des Cerisiers, Lisses-C.E. 1541,
91015 EVRY CEDEX, France
Tel: +33 1 69474949
Fax: +33 1 60861416
URL: <http://www.hikoki-powertools.fr>

Hikoki Power Tools Belgium N.V./S.A.

Koningin Astridlaan 51, B-1780 Wemmel, Belgium
Tel: +32 2 460 1720
Fax: +32 2 460 2542
URL: <http://www.hikoki-powertools.be>

Hikoki Power Tools Italia S.p.A

Via Piave 35, 36077, Altavilla Vicentina (VI), Italy
Tel: +39 0444 548111
Fax: +39 0444 548110
URL: <http://www.hikoki-powertools.it>

Hikoki Power Tools Ibérica, S.A.

C/ Puigbarral, 26-28, Pol. Ind. Can Petit, 08227 Terrassa
(Barcelona), Spain
Tel: +34 93 735 6722
Fax: +34 93 735 7442
URL: <http://www.hikoki-powertools.es>

Hikoki Power Tools Österreich GmbH

IndustrieZentrum NÖ –Süd, Straße 7, Obj. 58/A6 2355
Wiener Neudorf, Austria
Tel: +43 2236 64673/5
Fax: +43 2236 63373
URL: <http://www.hikoki-powertools.at>

Hikoki Power Tools Norway AS

Kjeller Vest 7, N-2007 Kjeller, Norway
Tel: (+47) 6692 6600
Fax: (+47) 6692 6650
URL: <http://www.hikoki-powertools.no>

Hikoki Power Tools Sweden AB

Rotebergsvagen 2B SE-192 78 Sollentuna, Sweden
Tel: (+46) 8 598 999 00
Fax: (+46) 8 598 999 40
URL: <http://www.hikoki-powertools.se>

Hikoki Power Tools Denmark A/S

Lillebaeltsvej 90, 6715 Esbjerg N, Denmark
Tel: (+45) 75 14 32 00
Fax: (+45) 75 14 36 66
URL: <http://www.hikoki-powertools.dk>

Hikoki Power Tools Finland Oy

Tupalankatu 9, 15680 Lahti, Finland
Tel: (+358) 20 7431 530
Fax: (+358) 20 7431 531
URL: <http://www.hikoki-powertools.fi>

Hikoki Power Tools Hungary Kft.

1106 Bogáncsvirág u.5-7, Budapest, Hungary
Tel: +36 1 2643433
Fax: +36 1 2643429
URL: <http://www.hikoki-powertools.hu>

Hikoki Power Tools Polska Sp. z o. o.

ul. Gierdziejewskiego 1
02-495 Warszawa, Poland
Tel: +48 22 863 33 78
Fax: +48 22 863 33 82
URL: <http://www.hikoki-narzedzia.pl>

Hikoki Power Tools Czech s.r.o.

Modřická 205, 664 48 Moravany, Czech Republic
Tel: +420 547 422 660
Fax: +420 547 213 588
URL: <http://www.hikoki-powertools.cz>

Hikoki Power Tools Romania S.R.L.

Ring Road, No. 66, Mustang Traco Warehouses, Warehouse
No.1, Pantelimon City, 077145, Ilfov County, Romania
Tel: +40 371 135 109
Fax: +40 372 899 765
URL: <http://www.hikoki-powertools.ro>

<p>English</p> <p>EC DECLARATION OF CONFORMITY</p> <p>We declare under our sole responsibility that Cordless Finish Nailer / Cordless Brad Nailer, identified by type and specific identification code *1), is in conformity with all relevant requirements of the directives *2) and standards *3), Technical file at *4) – See below. The European Standard Manager at the representative office in Europe is authorized to compile the technical file. The declaration is applicable to the product affixed CE marking.</p>	<p>Nederlands</p> <p>EC VERKLARING VAN CONFORMITEIT</p> <p>Wij verklaren onder onze eigen verantwoordelijkheid dat Snoerloos pneumatisch spijkerpistool / Snoerloos spijkerpistool voor koploze afwerkingsnagels, geïdentificeerd door het type en de specifieke identificatiecode*1), voldoet aan alle relevante bepalingen van de richtlijnen*2) en normen*3). Technische documentatie bij*4) – zie onder.</p> <p>De Europese Normen Manager bij de vertegenwoordiging in Europa is gemachtigd om het technisch dossier samen te stellen. Deze verklaring is van toepassing op producten voorzien van de CE-markeringen.</p>
<p>Deutsch</p> <p>EG-KONFORMITÄTSERKLÄRUNG</p> <p>Wir erklären in alleiniger Verantwortung, dass der durch den Typ und den spezifischen Identifizierungscode *1) identifizierte Kabellose Stauchkopf-Nagler/Kabellose Stiftnagler allen einschlägigen Bestimmungen der Richtlinien *2) und Normen *3) entspricht. Technische Unterlagen unter *4) – Siehe unten. Die Leitung der repräsentativen Behörde für europäische Normen und Richtlinien ist berechtigt, die technischen Unterlagen zusammenzustellen. Die Erklärung gilt für die an dem Produkt angebrachte CE-Kennzeichnung.</p>	<p>Español</p> <p>DECLARACIÓN DE CONFORMIDAD DE LA CE</p> <p>Declaramos bajo nuestra única responsabilidad que la Pistola de clavos de acabados sin cable / Pistola de clavos de puntilla sin cable, identificada por tipo y por código de identificación específico *1), está en conformidad con todas las disposiciones correspondientes de las directivas *2) y de las normas *3). Documentación técnica en *4) – Ver a continuación.</p> <p>El Director de Normas Europeas en la oficina de representación en Europa está autorizado para elaborar el expediente técnico. La declaración se aplica al producto con marcas de la CE.</p>
<p>Français</p> <p>DECLARATION DE CONFORMITE CE</p> <p>Nous déclarons sous notre entière responsabilité que la cloueuse de finition sans fil/cloueuse pneumatique sans fil, identifiée par le type et le code d'identification spécifique *1) est en conformité avec toutes les exigences applicables des directives *2) et des normes *3). Dossier technique en *4) - Voir ci-dessous. Le Gestionnaire des normes européennes du bureau de représentation en Europe est autorisé à constituer le dossier technique. Cette déclaration s'applique aux produits désignés CE.</p>	<p>Português</p> <p>DECLARAÇÃO DE CONFORMIDADE CE</p> <p>Declaramos, sob nossa única e inteira responsabilidade, que a Pistola de Pregos de Acabamento Sem Fios / Pistola de Pregos Fios Sem Fios, identificada por tipo e código de identificação específico *1), está em conformidade com todos os requerimentos relevantes das diretivas *2) e normas *3). Ficheiro técnico em *4)–Consulte abaixo. O Gestor de Normas Europeias no escritório de representação na Europa está autorizado a compilar o ficheiro técnico. A declaração aplica-se aos produtos com marca CE.</p>
<p>Italiano</p> <p>DICHIARAZIONE DI CONFORMITÀ CE</p> <p>Dichiaro sotto la nostra esclusiva responsabilità che la chiodatrice di finitura cordless/chiodatrice per chiodi con testa a scomparsa cordless, identificata dal tipo e dal codice identificativo specifico *1), è conforme a tutti i requisiti delle direttive *2) e degli standard *3). Documentazione tecnica presso *4) – Vedere sotto. Il gestore delle norme europee presso l'ufficio di rappresentanza in Europa è autorizzato a compilare il fascicolo tecnico. La dichiarazione è applicabile ai prodotti cui sono applicati i marchi CE.</p>	<p>Svenska</p> <p>EG-DEKLARATION BETRÄFFANDE LIKFORMIGHET</p> <p>Vi förklarar på eget ansvar att detta sladdlösa dyckertverktyg/sladdlös dyckertpistol, identifierat enligt typ och särskild identifikationskod *1), överensstämmer med alla relevanta krav i direktiven *2) och standarderna *3). Teknisk fil enligt *4) – Se nedan. Den europeiska standardansvariga på representationskontoret i Europa är auktoriserad att sammanställa den tekniska filen. Denna försäkran gäller för produkten med tillhörande CE-märkning.</p>
<p>*1) NT1850DBSL C354873R NT1865DBSL C354875R NT1865DBAL C354877R</p> <p>*2) 2006/42/EC, 2014/30/EU, 2014/35/EU, 2011/65/EU</p> <p>*3) EN60745-1:2009+A11:2010 EN60745-2-16:2010 EN60335-1:2012+A11:2014 EN60335-2-29:2004+A2:2010 EN55014-1:2006+A1:2009+A2:2011 EN55014-2:1997+A1:2001+A2:2008</p>	
<p>*4) Representative office in Europe Hikoki Power Tools Deutschland GmbH Siemensring 34, 47877 Willich, Germany</p> <p>Head office in Japan Koki Holdings Co., Ltd. Shinagawa Intercity Tower A, 15-1, Konan 2-chome, Minato-ku, Tokyo, Japan</p> <p>31. 3. 2021 Akihisa Yahagi European Standard Manager</p> <p>31. 3. 2021  A. Nakagawa Corporate Officer</p> 	

<p>Dansk</p> <p>EF-OVERENSSTEMMELSESEKYLÆRING</p> <p>Vi erklærer os fuldstændige ansvarlige for, at ledningsfri dykkerpistol/ Ledningsfri dykkerpistol, identificeret ved type og specifik identifikationskode *1), er i overensstemmelse med alle relevante krav i direktiverne *2) og standarderne *3). Teknisk fil i *4) – Se nedenfor. Lederen af europæiske standarder på repræsentationskontoret i Europa er bemyndiget til at kompilere den tekniske fil. Erklæringen gælder produktet, der er mærket med CE.</p>	<p>Polski</p> <p>DEKLARACJA ZGODNOŚCI Z WE</p> <p>Oświadczamy na własną wyłączną odpowiedzialność, że Akumulatorowa sztyfcarka/Akumulatorowa gwóźdźarka do druciaków podanego typu i oznaczona unikalnym kodem identyfikacyjnym *1) jest zgodna z wszystkimi właściwymi wymogami dyrektyw *2) i norm *3). Dokumentacja techniczna w *4) – Patrz poniżej. Menedżer Norm Europejskich przedstawicielstwa firmy w Europie jest upoważniony do sporządzania dokumentacji technicznej. Niniejsza deklaracja ma zastosowanie do produktu opatrzonego znakiem CE.</p>
<p>Norsk</p> <p>EF'S ERKLÆRING OM OVERENSSTEMMELSE</p> <p>Vi erklærer på eget ansvar at trådløs dykkertpistol / trådløs dykkertpistol, identificeret efter type og specifik identifikationskode *1), er i samsvar med alle relevante krav i direktiver *2) og standarder *3). Teknisk fil under *4) - Se nedenfor. Styrelsen for europæiske standarder ved repræsentantkontoret i Europa er autoriseret til at kompilere den tekniske fil. Erklæringen gælder for CE-mærket på produktet.</p>	<p>Magyar</p> <p>EK MEGFELELŐSÉGI NYILATKOZAT</p> <p>A kizárólagos felelősségünkre kijelentjük, hogy az Akkumulátoros Szögbelevő/Akkumulátoros Szegecselő, mely típus és egyedi azonosító kód *1) alapján azonosított, megfelel az irányelvek vonatkozó követelményeinek *2) és szabványainak *3). Műszaki fájl a *4) - Lásd alább. Az EU képviselői iroda európai szabványügyi menedzsere jogosult a műszaki dokumentáció összeállítására. Jelen nyilatkozat a terméken feltüntetett CE jelzésre vonatkozik.</p>
<p>Suomi</p> <p>EY-ILMOITUS YHDENMUKAISUUDESTA</p> <p>Vakuutamme yksinomaisella vastuullamme, että johdoton dykkertnaulin / johdoton viimeistelynaulain, joka identifioidaan tyyppin ja erityisen tunnistuskoodin *1) perusteella, on kaikkien direktiivien *2) ja standardien *3) asiaankuuluvien vaatimusten mukainen. Tekninen tiedosto kohdassa *4) – katso alta. Eurooppalaisten standardien hallintaelin Euroopan edustustossa on valtuutettu kokonaan teknisen tiedoston. Ilmoitus on sovellettavissa tuotteeseen kiinnitettynä CE-merkintään.</p>	<p>Čeština</p> <p>PROHLÁŠENÍ O SHODĚ S ES</p> <p>Prohlašujeme na svou výhradní zodpovědnost, že akku dokončovací hřebíkovačka/akku hřebíkovačka pro hřebíky bez hlavičky, identifikovaná podle typu a specifického identifikačního kódu *1), je v souladu se všemi příslušnými požadavky směrnice *2) a norem *3). Technický soubor *4) - viz níže. K sestavení technické dokumentace je oprávněn manažer pro evropské standardy v evropském obchodním zastupení. Toto prohlášení platí pro výrobek označený značkou CE.</p>
<p>Ελληνικά</p> <p>EK ΔΗΛΩΣΗ ΕΝΑΡΜΟΝΙΣΜΟΥ</p> <p>Δηλώνουμε με αποκλειστική μας ευθύνη ότι το Καρφωτικό φινιρίσματος μπαταρίας/Καρφωτικό ακέφαλων καρφιών μπαταρίας, το οποίο προορίζεται από τον τύπο και ειδικό αναγνωριστικό κωδικό *1), είναι σύμφωνο με όλες τις σχετικές απαιτήσεις των Οδηγών *2) και τα σχετικά πρότυπα *3). Τεχνικό Αρχείο στο *4) – Δείτε παρακάτω. Ο Διαχειριστής Ευρωπαϊκών Προτύπων στο γραφείο εκπροσώπησης στην Ευρώπη είναι εξουσιοδοτημένος για τη σύνταξη του τεχνικού φακέλου. Η δήλωση ισχύει μόνο για το προϊόν που είναι τοποθετημένη σήμανση CE.</p>	<p>Türkçe</p> <p>AT UYGUNLUK BEYANI</p> <p>Tip ve özel tanımlanmış koduyla *1) tanımlı Akülü Kaplama Çivi Çakma Makinesi/Akülü Brad Çivi Çakma Tabancası'nın direktiflerin *2) ve standartların *3) tümü ilgili gereksinimlerine uygun olduğunu tamamen kendi sorumluluğumuz altında beyan ederiz. Teknik dosya *4) dedir – Aşağıya bakın. Avrupa'daki temsilcilik ofisindeki Avrupa Standartları Yöneticisi, teknik dosyayı derlemek için yetkilendirilmiştir. Beyan, üzerinde CE işareti bulunan ürünler için geçerlidir.</p>
<p>*1) NT1850DBSL C354873R NT1865DBSL C354875R NT1865DBAL C354877R</p> <p>*2) 2006/42/EC, 2014/30/EU, 2014/35/EU, 2011/65/EU</p> <p>*3) EN60745-1:2009+A11:2010 EN60745-2-16:2010 EN60335-1:2012+A11:2014 EN60335-2-29:2004+A2:2010 EN55014-1:2006+A1:2009+A2:2011 EN55014-2:1997+A1:2001+A2:2008</p>	
<p>*4) Representative office in Europe Hikoki Power Tools Deutschland GmbH Siemensring 34, 47877 Willich, Germany</p> <p>Head office in Japan Koki Holdings Co., Ltd. Shinagawa Intercity Tower A, 15-1, Konan 2-chome, Minato-ku, Tokyo, Japan</p>	<p>31. 3. 2021 Akihisa Yahagi European Standard Manager</p> <p>31. 3. 2021  A. Nakagawa Corporate Officer</p>

<p>Română</p>	<p>Български</p>
<p>DECLARAȚIE DE CONFORMITATE CE</p> <p>Declarăm pe propria răspundere că Mașina de bătut cuie de finisare cu acumulator/Mașina de bătut caiele cu acumulator, identificată după tipul și codul de identificare specific *1), este în conformitate cu toate cerințele relevante ale directivelor *2) și ale standardelor *3). Fișier tehnic la *4) – Vezi mai jos.</p> <p>Managerul standardelor europene de la biroul reprezentanței din Europa este autorizat să întocmească dosarul tehnic.</p> <p>Declarația se referă la produsul pe care este aplicat semnul CE.</p>	<p>ЕО ДЕКЛАРАЦИЯ ЗА СЪОТВЕТСТВИЕ</p> <p>Декларираме на своя собствена отговорност, че беззичният довършителен инструмент за забиване на пирами/беззичният инструмент за забиване на щифтове, идентифициран по тип и специален идентификационен код *1), е в съответствие с всички съответни изисквания на директивите *2) и стандартите *3). Техническо досие в *4) - Вижте по-долу.</p> <p>Мениджърът по европейските стандарти в представителния офис в Европа е упълномощен да съставя техническото досие.</p> <p>Декларацията е приложена за продукта, който има поставена CE маркировка.</p>
<p>Slovenščina</p>	<p>Srpski</p>
<p>ES IZJAVA O SKLADNOSTI</p> <p>Po lastni odgovornosti objavljamo, da je baterijski zaključni zabijalnik/baterijski zabijalnik manjših žebeljev, označen z vrsto in posebno identifikacijsko kodo *1), v skladu z vsemi ustreznimi zahtevami direktiv *2) in standardov *3). Tehnična dokumentacija pod *4) – glejte spodaj.</p> <p>Upravitelj evropskih standardov na predstvištvu v Evropi je pooblaščen za pripravo tehnične dokumentacije.</p> <p>Declaračija je označena na izdelku s pritrjeno oznako CE.</p>	<p>EZ DEKLARACIJA O USAGLAŠENOSTI</p> <p>Pod punom odgovornošću izjavljujemo da je Bežični završni čekić za ukucavanje eksera/Bežični čekić za ukucavanje sitnih eksera, identifikovan prema tipu i specifičnom identifikacionom kodu *1), u skladu sa svim relevantnim zahtevima direktiva *2) i standardima *3). Tehnička datoteka pod *4) - Pogledajte dole.</p> <p>Direktor za evropske standarde u kancelariji predstavnictva u Evropi je odgovoran za sastavljanje tehničke dokumentacije.</p> <p>Declaračija je primjenjiva na proizvod na koji je stavljena CE oznaka.</p>
<p>Slovenčina</p>	<p>Hrvatski</p>
<p>ES VYHLÁSENIE O ZHODE</p> <p>Týmto vyhlasujeme na vlastnú zodpovednosť, že Akumulátorová kľincovačka/Akumulátorová kľincovačka na kľince bez hlavičky identifikovaná podľa typu a špecifického identifikačného kódu *1) je v zhode so všetkými príslušnými požiadavkami smerníc *2) a noriem *3). Technický súbor v *4) – Pozrite nižšie.</p> <p>Manažer európskych noriem na zastupujúcom úrade v Európe má oprávnenie na zostavovanie technickej dokumentácie.</p> <p>Toto vyhlásenie sa vzťahuje na výrobok označený značkou CE.</p>	<p>EZ IZJAVA O SUKLADNOSTI</p> <p>Izjavljujemo pod vlastitom odgovornošću da je Bežični završni zakivač/Bežični zakivač čavala, identificiran prema vrsti i posebnom identifikacijskom kodu *1), u skladu sa svim relevantnim zahtjevima direktiva *2) i standarda *3). Tehnička dokumentacija na *4) - Vidi dole.</p> <p>Menadžer za evropske standarde u europskom predstvištvu tvrtke ovlašten je za sastavljanje tehničke dokumentacije.</p> <p>Izjava se primjenjuje na proizvod na kojem je stavljena CE oznaka.</p>
<p>*1) NT1850DBSL C354873R NT1865DBSL C354875R NT1865DBAL C354877R</p> <p>*2) 2006/42/EC, 2014/30/EU, 2014/35/EU, 2011/65/EU</p> <p>*3) EN60745-1:2009+A11:2010 EN60745-2-16:2010 EN60335-1:2012+A11:2014 EN60335-2-29:2004+A2:2010 EN55014-1:2006+A1:2009+A2:2011 EN55014-2:1997+A1:2001+A2:2008</p>	
<p>*4) Representative office in Europe Hikoki Power Tools Deutschland GmbH Siemensring 34, 47877 Willich, Germany</p> <p>Head office in Japan Koki Holdings Co., Ltd. Shinagawa Intercity Tower A, 15-1, Konan 2-chome, Minato-ku, Tokyo, Japan</p> <p style="text-align: right;">31. 3. 2021 Akihisa Yahagi European Standard Manager</p> <p style="text-align: right;">CE 31. 3. 2021  A. Nakagawa Corporate Officer</p>	

Koki Holdings Co., Ltd.