

» **PERFECTPRO**®

# ROCKBOX

INSTRUCTION MANUAL **GB**  
MANUEL DE L'UTILISATEUR **F**  
GEBRUIKSAANWIJZING **NL**  
BEDIENUNGSANLEITUNG **D**



# CONTENTS

IMPORTANT SAFETY INSTRUCTIONS .....	2
CONTROLS .....	3
POWER SUPPLY .....	5
AC operation .....	5
Battery operation .....	5
USING THE RADIO FOR THE FIRST TIME .....	8
DAB MODE .....	9
Operating the radio – DAB .....	9
Selecting a station – DAB .....	9
Secondary services – DAB .....	9
Display modes – DAB .....	10
Finding new stations – DAB .....	10
Manual tuning – DAB .....	10
Dynamic Range Control (DRC) settings – DAB .....	11
Prune stations – DAB .....	11
FM MODE .....	12
Operating the radio – FM seek station .....	12
Manual tuning – FM .....	12
RDS station service – FM .....	12
Scan sensitivity setting – FM .....	13
PRESET STATIONS .....	13
Storing preset stations .....	13
Recalling preset stations .....	13
BLUETOOTH MODE .....	14
Pairing Bluetooth with your mobile phone .....	14
Playing music from your mobile phone .....	14
Device List – Connect to the paired device .....	14
Restart Bluetooth pairing .....	15
AUX IN MODE .....	15
SETTING THE CLOCK .....	16
LOUDNESS .....	16
LANGUAGE SETTING .....	17
SOFTWARE VERSION .....	17
SYSTEM RESET .....	18
BACKLIGHT .....	19
TONE .....	19
WARRANTY .....	19
SPECIFICATIONS .....	20

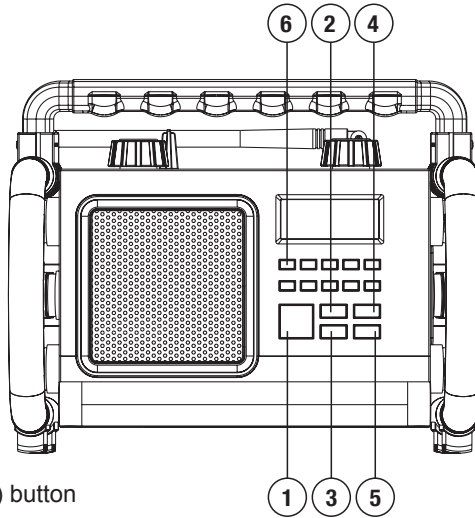
## IMPORTANT SAFETY INSTRUCTIONS

1. Read these instructions.
2. Keep these instructions.
3. Heed all warnings.
4. Follow all instructions.
5. Clean only with dry cloth.
6. Do not block any ventilation openings. Install in accordance with the instructions.
7. Do not install near any heat sources such as radiators, heat registers, stoves or other apparatus (including amplifiers) that produce heat.
8. Do not defect the safety purpose of the polarized or grounding – type plug. A polarized plug has two blades with one wider than the other. A grounding type plug has two blades and a third grounding prong. The wide blade or the third prong is provided for your safety. If the provided plug does not fit into your outlet, consult an electrician for replacement of the obsolete outlet.
9. Protect the power cord from being walked on or pinched particularly at plug, convenience receptacles, and the point where they exit from the apparatus.
10. Only use attachments/accessories specified by the manufacturer.
11. Use only with the cart, stand, tripod, bracket, or table specified by the manufacturer, or sold with the apparatus. When a cart is used, use caution when moving the cart/apparatus combination to avoid injury from tip-over.
12. Unplug this apparatus during lightning storms or when unused for long periods of time.
13. Refer all servicing to qualified service personnel. Servicing is required if the apparatus has been damaged in any, such as power-supply cord or plug is damaged, liquid has been spilled or objects have fallen into the apparatus, the apparatus has been exposed to rain or moisture, does not operate normally, or has been dropped.
14. To reduce the risk of fire or electric shock, do not expose this appliance to rain or moisture.
15. Do not remove the cover; there are no user-serviceable parts inside.
16. No naked flame sources shall be placed on the apparatus.
17. For outdoors use, to avoid electric shock, use battery only during a raining day or the weather is wet. To prevent electric shock, if the radio has been exposed to rain or water, the power supply cord and plug must be completely dried before plugging into the mains socket outlet.
18. The power plug should be close to the apparatus, and easy to be approached that during emergency, to disconnect the power from the apparatus, just unplug the power plug from the AC power slot.
19. The marking information is located at the bottom of the apparatus.
20. This apparatus is provided with protection against splashing water (IP65).
21. In case of malfunction due to electrostatic discharge or fast transient (burst), remove and reconnect the power supply.
22. The apparatus must be used in a moderate climate.
23. To prevent possible hearing damage, do not listen at high volume levels for long periods.



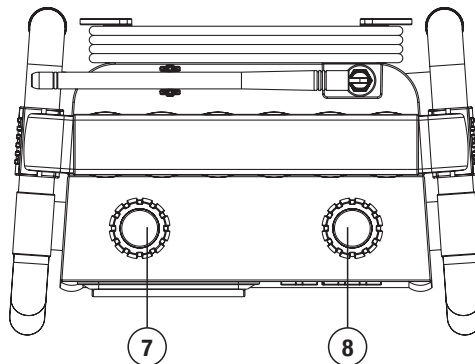
GB

## Front View



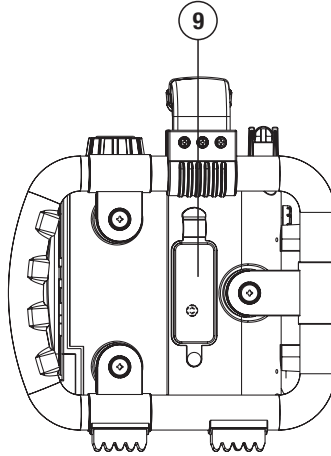
1. On/Off (Standby) button
2. Source button
3. Menu button
4. Loudness button
5. Info button
6. Preset 1 -10 buttons

## Top View



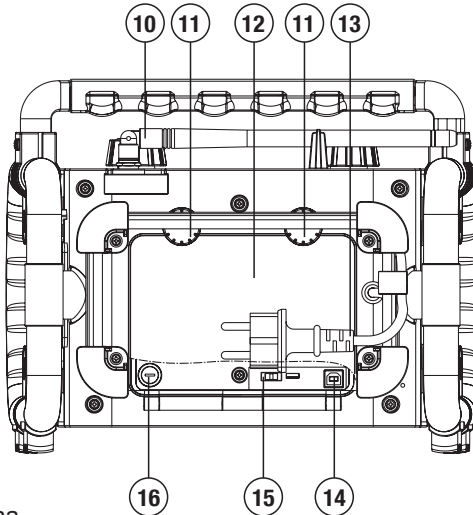
7. Volume / Tone Control knob
8. Tuning / Seek Station / Time Set

## Side View



9. Aux-in socket

## Back View



10. Rubber antenna  
11. Battery cover fixtures  
12. Battery compartment  
13. Power cord  
14. USB socket (for software upgrade only)  
15. Battery charger switch  
16. Fuse of the battery charger

## POWER SUPPLY

### AC operation

- Before plugging the AC power cord into the AC socket, make sure the voltage is correct and the **Battery charger switch** is set correctly: **ALKALINE OFF** when using no batteries or Alkaline batteries / **CHARGE NiMH ON** when using NiMH rechargeable batteries.
- If you use Alkaline batteries in the radio and the **Battery charger switch** is on **ALKALINE OFF**, the batteries will be disconnected automatically when using AC power supply.
- If you use rechargeable NiMH batteries in the radio and the **Battery charger switch** is on **CHARGE NIMH ON**, the NiMH batteries will be charged automatically when using AC power supply.

#### Note:

In order to disconnect the unit from the AC mains completely, the AC power cord should be removed from the mains socket completely. The AC power cord shall remain readily operable and should not be obstructed during intended use.

In case of malfunction due to electrostatic discharge or fast transient (burst), remove the power supply and all the batteries then reinstall the batteries and reconnect the power supply.

### Battery operation

1. To open the battery compartment, first turn the battery cover fixtures counter clockwise to loosen and pull down the battery cover.
2. This unit can be operated with either Alkaline batteries (6 x 1,5V type IEC LR14 / UM-2 / C-size) or NiMH rechargeable batteries (6 x 1,2V PerfectPro Rechargeable Accu, C size HR14 / 4000mAh). Set the **Battery charger switch** in the battery compartment according to the battery type to be used (**ALKALINE OFF or CHARGE NIMH ON**).
3. Insert the batteries with correct polarity as indicated in the battery compartment (+ and -). Close the battery cover and fasten the fixtures by turning clockwise. Close well to prevent moist or dust from entering the compartment.
4. If the unit is not to be used for an extended period of time, it is recommended that the batteries are removed from the radio.

The approximate power level of the batteries is displayed in the LCD display of the radio. When the power level is very low, the indication "Battery Low!" appears and the battery symbol flashes on the display. The batteries should then be recharged or replaced soon to continue normal operation of the radio.

When the rechargeable NiMH batteries are being charged. The battery symbol in the LCD display will animate. The charging and animation will stop automatically when the batteries are full.

## Replacing the fuse of the Battery Charger

The battery charger uses a fuse as a safety device, which protects the radio from over current or excessive surging during the charging process. The fuse will blow if something goes wrong with the charger or the battery (for example, if the battery has been damaged). In case the charger refuses to charge the battery or the radio becomes inoperative with batteries, you should check and replace the battery and/or the fuse.

1. Turn off the radio and unplug the AC power cord from the mains power socket.
2. To open the battery compartment, turn the battery cover fixtures counter clockwise to loosen and pull down the battery cover.
3. Check the batteries carefully and make sure all of them are installed with correct polarity (+ and -) and replace the batteries if there is any damage. Refer to the section of "IMPORTANT INFORMATION ON CHARGING AND USING RECHARGEABLE BATTERIES" for more detailed advises.
4. Locate the fuse holder in the battery compartment. The cover of the fuse holder has the word "FUSE" on it.
5. To remove the fuse cover, use a slot head screwdriver and turn the screwdriver counter clockwise while pressing down the fuse cover. The fuse cover should be turned only when it is pressed down. Do not use too much force when turning the fuse cover as this can cause damage.
6. Replace the blown fuse with an identical new one. The fuse rating is marked beside the fuse holder (T2.5AL 250V). Do not use fuse of any other type.
7. Replace the fuse cover using a slot head screwdriver. Turn the screwdriver clockwise carefully while pressing down the fuse cover.

### Note:

- If the new fuse blows again as soon as the radio is connected to AC power or when you start using the radio, it indicates a problem with either the radio or the battery. Have them checked at a dealer or qualified service person.
- The fuse also protects Alkaline batteries from over current.

### Warning:

Danger of explosion if a battery is incorrectly replaced. Replace only with the same or equivalent type.

Always make sure the Battery charger switch is set to the correct position.

An Alkaline battery is not rechargeable. Never attempt charging Alkaline batteries.

Do not mix up different battery types.

Do not mix up charged and uncharged batteries.

Do not expose the batteries to excessive heat such as sunshine, fire or the like.

Batteries should not be disposed of by incineration and with household waste.

Disposable batteries should be taken to a suitable recycling centre if possible.

## IMPORTANT INFORMATION ON CHARGING AND USING RECHARGEABLE BATTERIES

1. **Recharge the batteries in any case at least every 2 months.**
2. Make sure the Battery charger switch next the battery compartment is set to the **“CHARGE NiMH ON”** position.
3. **Put the batteries in the compartment whilst paying attention to the correct polarity of the batteries (+ and -).**
4. **First use: Charge new batteries in one continuous, uninterrupted, charge until they are full.** This first charge may take longer than normal. For longer battery life it is advised to always recharge in one continuous, uninterrupted charge until batteries are full and to not recharge again whilst the batteries are still full.
5. New batteries will only reach their full capacity after some time of use (several charge – discharge cycles).
6. Leave the complete group of batteries in place inside the radio and do not use these batteries or a few of them for other purposes. This will result in a mix of (fully) charged and (partly) empty batteries. This can seriously damage the batteries and radio when recharged.
7. It is advised to only charge batteries at room temperatures between 5 degrees C – 35 degrees C. In lower or higher temperatures full charge cannot be achieved.
8. Depending on the capacity of the batteries, charging from “empty” to “full” can take several hours, even up to 10 hours or more.
9. Do not charge batteries when the radio is hot or exposed to heat or heat sources.
10. It is advised to clean the metal contacts of the batteries and of the charger inside the radio e.g. with a contact-spray from time to time.
11. Do not use a mix of old and new rechargeable batteries.
12. Do not use a mix of rechargeable and non-rechargeable batteries.
13. Do not use a mix of full and empty rechargeable batteries.
14. Do not use batteries that have a different mAh capacity.
15. Do not use damaged, deformed or leaking batteries.
16. Battery level indication is an approximate indication only and can vary with battery type used.
17. Batteries can become hot during charging.
18. In cold conditions the capacity of batteries will be much lower than when used at normal room temperature
19. Batteries (even when supplied with the radio), as being consumables, do not fall under the warranty conditions of the radio.
20. It is advised to use Perfectpro rechargeable batteries as the radio and its charger were developed for use with these batteries.
21. Always disconnect from mains power before installing the batteries.



## USING THE RADIO FOR THE FIRST TIME

1. Place the radio on a flat surface.
2. Carefully extend the antenna located on the top of the radio. Adjust the antenna so it is vertically extending above the radio.
3. Plugging the AC power cord into the AC socket. The radio will start up and the display will show "WELCOME" for a few seconds. Then the radio will automatically perform an auto scan of the Band III DAB channels and the FM band, the display will show "ATS setting".
4. When the scan is completed, the 10 strongest FM stations will be stored as presets. The radio will switch to standby with the updated clock and date showing on the display.
5. If no signals are found, the clock will not be updated. It may be necessary to relocate the radio to a position giving better reception.

## DAB MODE

### Operating the radio – DAB

1. Carefully extend the antenna. Press the **On/Off button** to switch on the radio.
2. If this is the first time to switch on, the radio will be in DAB mode.
3. The first station (in numeric-alpha order 0...9...A...Z) in the list of stations found will be played. The display will show the station name.  
If the radio has been used before, the last used station will be selected.
4. If no signals are detected, “No stations available” will be displayed. It may be necessary to relocate the radio to a position giving better reception.  
You should then carry out an auto scan to find stations, please refer to the section “Find new stations - DAB”.

### Selecting a station – DAB

1. Press the **On/Off button** to switch on the radio. The display will show “Now tuning” for a few seconds.
2. The display shows the name of the radio station currently selected.
3. Rotate the **Tuning knob** to scroll through the list of available stations.
4. When the desired station name appears on the display, press the **Tuning knob** to select the station. The display will show “Now tuning” while the radio finds the new station.

**Note:** If after selecting a station the display shows “No stations available”, it may be necessary to relocate the radio to a position giving better reception.

### Secondary services – DAB

1. Certain radio stations have one or more secondary services associated with them. If a station has a secondary service associated with it, then the secondary service will appear immediately after the primary service as you turn the **Tuning knob**.
2. Press the **Tuning knob** to select the secondary service.  
Most of secondary services do not broadcast continually and if the selected service is not available, the radio will re-tune to the associated primary service.

## Display modes – DAB

In DAB mode, the radio can display a range of information on the display.

1. Press the **Info button** to cycle through the various modes.
  - a. Scrolling text                      Displays scrolling text message such as artist/track name, phone in number, etc.
  - b. Program type                        Displays type of station being listened to e.g. Pop, classic, News, etc.
  - c. Signal strength                      Displays the signal strength of radio reception. The clear unfilled rectangle indicates minimum signal level required for satisfactory reception.
  - d. Multiplex name                      Displays name of multiplex to which the current station belongs.
  - e. Channel & frequency                Displays channel number and frequency for the currently tuned DAB station.
  - f. Bit rate & audio type                Displays the digital audio bit rate.
  - g. Time & date                         Displays the current time (24 hour clock) and date.

## Finding new stations – DAB

**GB**

From time to time, new stations may become available. You may proceed to find new stations as follows:-

1. Press the **Menu button**, “Full scan” shows on the display.
2. Press the **Tuning knob**, the radio will perform a scan of the Band III DAB channels. As new stations are found, the station counter on the right-hand side of the display will increase and stations will be added to the list.

## Manual tuning – DAB

Manual tuning allows you to tune the radio directly to various DAB Band III channels.

1. Press the **Menu button**, the display shows “Full scan”.
2. Rotate the **Tuning knob** until the display shows “Manual tune”. Press the **Tuning knob**.
3. Rotate the **Tuning knob** to select the desired DAB channel. Press the **Tuning knob** to tune the chosen frequency.
4. The signal strength display with an open bar shows the minimum signal strength needed for good DAB reception. The signal strength bars will go up or down showing the changing signal strength as you adjust the antenna or the radio position.
5. When a DAB signal is found, the display will show the name of the station. Any new radio stations found will be added to the list stored in the radio.
6. Press the **Tuning knob** to return to normal DAB service.

## **Dynamic Range Control (DRC) settings – DAB**

DRC can make quieter sounds easier to hear when the radio is used in a noisy environment.

1. In DAB mode, press the **Menu button**, the display shows “Full scan”.
2. Rotate the **Tuning knob** until the display shows “DRC value”. Press the **Tuning knob**.
3. Rotate the **Tuning knob** to select required DRC setting (default is Off).

DRC Off	DRC is switched off. Broadcast DRC will be ignored.
DRC Low	DRC level is set to low that sent by broadcaster.
DRC High	DRC is set as sent by broadcaster.

4. Press the **Tuning knob** to confirm the setting. The display will return to normal radio display.

**Note:** Not all DAB broadcasts use the DRC function. If the broadcast does not provide DRC information, the DRC setting in the radio will have no effect.

## **Prune stations – DAB**

If you move to a different part of the country, some of the stations which were listed may no longer be available. Also, from time to time, some DAB services may stop broadcasting, or may change location or frequency. The Prune stations function will delete the unavailable DAB stations from your station list.

1. In DAB mode, press the **Menu button**, the display shows “Full scan”.
2. Rotate the **Tuning knob** until the display shows “Prune”.
3. Press the **Tuning knob** to enter the setting.
4. Rotate the **Tuning knob** to select between “Yes” or “No” (default is No). Select “Yes” to enable this function if required, otherwise, select “No”.
5. Press the **Tuning knob** to confirm your setting. The display will return to normal radio display.

**Note:** If you have move the radio to a different part of the country, you should also carry out a search for new stations (please see the section “Finding new stations – DAB”).

## FM MODE

### Operating the radio – FM seek station

1. Press the **On/Off button** to turn on the radio.
2. Select the FM waveband by pressing the **Source button**.
3. If this is the first time to switch to FM mode, the station in preset 1 will be played. If the radio has been used before, the last listened station will be played.
4. To seek station, press the **Tuning knob**. The scan stops automatically when it finds a station of sufficient strength.
5. After a few seconds, the display will update and show station name if RDS information is being received.
6. To find other stations, press the **Tuning knob** again.
7. To seek station in an opposite direction, rotate the **Tuning knob** clockwise (to scan from low frequency to high frequency) or rotate anti-clockwise (to scan from high frequency to low frequency), and press the **Tuning knob**.
8. When the waveband end is reached, the radio will recommence tuning from the opposite waveband end.

### Manual tuning – FM

1. Press the **On/Off button** to turn on the radio.
2. Select the FM band by pressing the **Source button**.
3. Rotate the **Tuning knob** to reach the required FM station.  
The radio will change the frequency in steps of 50 kHz.
4. Rotate the rubber antenna to get the best reception. If the radio is tuned to a station of sufficient signal strength with RDS information present, the display may change to show the station name.
5. When the waveband end is reached, the radio will recommence tuning from the opposite waveband end.

### RDS station service – FM

RDS (Radio Data System) is an information system which inaudible digital information is transmitted in addition to the normal FM radio programme. When the radio is receiving a RDS station and the reception strength is sufficient, the station name will appear in the display. It may take some time before the RDS information is available.

#### Calling up RDS information

1. When you are listening to a FM station with RDS system, repeatedly press the **Info button** to cycle through the information. This will only function if the reception level is sufficient and clear.
  - a. Radio text (RT) Displays the message about the station being listened to as ticker text.
  - b. Program type (PTY) Displays the type of station being listened to, e.g. Pop, Classic, News, etc.
  - c. Frequency Displays the frequency of the station being listened to.
  - d. Signal level Displays the signal strength.
  - e. Time & date Displays the current time (24 hour clock) and date.

## Scan sensitivity setting – FM

The radio will normally scan all stations from FM broadcasts including the weaker signals. However, you may wish the Auto-scan to find only those stations with strong enough signals to give good reception.

1. Press the **On/Off button** to turn on the radio.
2. Select the FM band by pressing the **Source button**.
3. Press the **Menu button**, the display shows “Scan setting”.
4. Press the **Tuning knob**.
5. Rotate the **Tuning knob** to select between “All stations” or “Strong station” (default is All stations).  
The “Strong station” option will allow the radio to find strong signals only when scanning.
6. Press the **Tuning knob** to confirm your setting. The display will return to normal radio display.

## PRESET STATIONS

### Storing preset stations

There are 20 memory presets in the radio, 10 for DAB and 10 for FM. Presets are remembered by the radio in the event of a power failure.

1. Press the **On/Off button** to turn on the radio.
2. Press the **Source button** to select the desired waveband.
3. Tune to the required station.
4. Press and hold the required **Preset button** until the radio beeps and shows for example “Preset 01 Saved”.
5. Repeat step 3 and 4 for the remaining presets.
6. Stations stored in the preset memories can be over-written by following the above procedure.

### Recalling preset stations

1. Press the **On/Off button** to turn on the radio.
2. Press the **Source button** to select the desired waveband.
3. Briefly Press the required **Preset button**, the display will show the radio frequency.

## BLUETOOTH MODE

### Pairing Bluetooth with your mobile phone

1. Press the **On/Off button** to turn on the radio.
2. Select Bluetooth mode by pressing the **Source button**.
3. The LCD display will show “Not connected” when radio is not yet paired with your mobile phone.
4. In your mobile phone open the Setting menu and select Bluetooth, then select “**RockBox 3**” in the Bluetooth devices list of your mobile phone (Bluetooth pairing instructions may vary per type of mobile phone, please check your mobile phone manual).
5. When Bluetooth pairing is successful, the LCD display will show “Connected” in the 1st line.

### Playing music from your mobile phone

1. Press the **On/Off button** to turn on the radio.
2. Select Bluetooth mode by pressing the **Source button**.
3. Start playing music by using the media players in the paired mobile phone.
4. Playback can be controlled from the mobile phone or by pressing the **▶II**, **▶▶I** and **I◀◀** buttons (preset buttons 3, 4 and 5) on the radio.

GB

### Device List – Connect to the paired device

In the radio, you can select the Bluetooth device from the Device list to connect again. The device names would be shown if the name of the Bluetooth devices were configured in the mobile devices. Please refer to the user manual of your mobile device for the configurations.

The Device list can be checked as below:

1. In Bluetooth mode, press the **Menu button** to enter the system setting.
2. Rotate the **Tuning knob** until “Device list” is displayed; press the TUNING knob to select the setting.
3. Rotate the **Tuning knob** to view the name of the devices.
4. Press the **Tuning knob** to start Bluetooth reconnection. The speaker will automatically connect to this selected mobile device.

Note: There can be up to 8 device names stored in the Device list memory. If you store more than 8 mobile devices into the Device list memory, the earliest paired device name will be erased.

Note: If you have ever deleted the “**RockBox 3**” from your connected mobile phone device, the auto reconnection will be unsuccessful.

## **Restart Bluetooth pairing**

The Bluetooth function can be set to operate in different ways as below:

1. In Bluetooth mode, press the **Menu button** to enter the system setting.
2. Rotate the **Tuning knob** to select the “Disconnect BT” option, and press the **Tuning knob** to select the setting.
3. The LCD display will show “Not connected” and the radio’s Bluetooth is free for any mobile phone device connection as it is in discoverable mode now.

Note: “Disconnect BT” is the option that forces the Bluetooth of this radio to disconnect from your mobile phone and enter the “discoverable mode”. This is the way to allow the Bluetooth pairing to another device. If no new device is paired, the Bluetooth will automatically try to connect to the last device when it is switched off and on again.

The Auto-Power management function will be activated in Bluetooth mode. If there is no signal\* for a period of over 15 minutes, the radio will automatically switch to standby mode. Pressing the **On/Off button** will wake up the unit.

## **AUX IN MODE**

A 3.5mm stereo **Aux In socket** is provided on the side behind the rubber cover, for connecting an external audio device such as MP3 player or CD player (not included with this radio).

1. Connect an audio source to the **Aux In socket**.
2. Press the **Source button** to select AUX input. Display will show “AUX IN”.
3. Play the external player.
4. Adjust the volume of both the radio and the player for comfortable listening.
5. After use, close the rubber cover to prevent moist or dust from entering into the sockets and radio.

**Notes:** Never use the AUX-IN socket in rainy or moist conditions to prevent moist from entering the radio. Keep the rubber cover closed under these conditions.

The Auto-Power management function will be activated in AUX mode. If there is no signal from the AUX input jack for a period over 15 minutes, the unit will automatically switch to standby mode. The operation indicator and the LCD will go off in such case. Pressing the On/Standby button will wake up the unit.



## SETTING THE CLOCK

The clock can only be set when the radio is in standby mode. If no buttons are pressed for 5 seconds, the radio will exit the clock setup and the setting is cancelled.

1. Press and hold the **Time Set knob** for 12 seconds until the hour digits flash on the display.
2. Rotate the **Time Set knob** to set the hour.
3. Press the **Time Set knob** to confirm, the minute digits flash.
4. Rotate the **Time Set knob** to set the minute.
5. Press the **Time Set knob** to confirm, the day flashes on the display.
6. Rotate the **Time Set knob** to set the current day.
7. Press the **Time Set knob** to confirm, the month flashes.
8. Rotate the **Time Set knob** to set the current month.
9. Press the **Time Set knob** to confirm, the year will then flash on the display.
10. Rotate the **Time Set knob** to set the current year.
11. Press the **Time Set knob** to confirm, "SYNCLOCK ON" flashes.
12. Rotary the **Time Set knob** to select "SYNCLOCK ON" or "SYNCLOCK OFF".
13. Press the **Time Set knob** to confirm and finish the clock setting.

### RDS time synchronisation

If "SYNCLOCK ON" is selected, the symbol "⌚" will show on the clock display. Some RDS stations transmit a time signal. If reception is good and you have selected the "SYNCLOCK ON" option during the time setting, the time will be automatically updated ("⌚" flashes on the display). Time synchronisation can take several minutes. The automatic time setting is always activated when the radio is switched from standby to FM broadcasting and receives a RDS station.

GB

## LOUDNESS

The Loudness function enables to get compensation on lower and higher frequency. The effect will be more audible when the radio is in a lower volume level (Dynamic Loudness).

1. Press the **Loudness button** to enable the loudness, the display shows "Loudness On".
2. Press the **Loudness button** again to disable the loudness, the display shows "Loudness Off".

## LANGUAGE SETTING

The radio can be configured to a different language.

1. Press the **On/Off button** to turn on the radio.
2. Press the **Menu button**, and then rotate the **Tuning knob** until the display shows “System”.
3. Press the **Tuning knob**; rotate the **Tuning knob** until the display shows “Language”.
4. Press the **Tuning knob** to enter the language adjustment menu.
5. Rotate the **Tuning knob** until the desired language appears on the display (default is English).
6. Press the **Tuning knob** to confirm your choice. The display will change to the chosen language.

## SOFTWARE VERSION

The software display cannot be altered and is just for your reference. You can only view the software version in DAB and FM mode.

1. Press the **On/Off button** to switch on the radio.
2. Press the **Source button** to select FM or DAB mode.
3. Press the **Menu button** until the display shows “Full Scan” , and then rotate the **Tuning knob** until the display shows “System”.
4. Press the **Tuning knob**; rotate the **Tuning knob** until the display shows “SW version”.
5. Press the **Tuning knob** to view the software version.
6. Press the **Tuning knob** again to return to the normal radio display.

**Notes:** USB socket inside battery compartment is for upgrading the software of the device.

## SYSTEM RESET

If the radio fails to operate correctly, or some digits on the display are missing or incomplete, carry out the following procedure.

1. Press the **On/Off button** to switch on the radio.
2. Press the **Menu button**,
3. Rotate the **Tuning knob** until the display shows "System". Press the **Tuning knob**.
4. Rotate the **Tuning knob** until the display shows "Factory reset". Press the **Tuning knob**.
5. Rotate the **Tuning knob** to select between "Yes" or "No".  
Select "Yes" if you wish to reset the radio, otherwise, select "No".
6. Press the **Tuning knob** to cause the factory reset.
7. A full reset will be performed. All presets and the station list will be erased. All settings will be set to the default values.  
The display will show "WELCOME" for a few seconds, and then the radio will automatically perform an auto scan of the Band III DAB channels and the FM band, the display will show "ATS setting".

In case of malfunction due to electrostatic discharge; reset the product as above to resume normal operation. If you are not able to perform the reset operation as above, remove and reconnect the power supply.

"Under the environment with Conducted Immunity disturbance / Radiated Immunity, the sample may malfunction. It will automatically recover to normal when the Conducted Immunity disturbance / Radiated Immunity stopped."

GB

## BACKLIGHT

### LCD backlight configuration

1. Press the **On/Off button** to turn on the radio.
2. Press the **Menu button**, and then rotate the **Tuning knob** until the display shows “System”.
3. Press the **Tuning knob**; rotate the **Tuning knob** until the display shows “LCD backlight”.
4. Press the **Tuning knob** to enter the LCD backlight adjustment menu.
5. Rotate the **Tuning knob** to select “on” in order to keep backlight always lightened when the radio is turned on with AC power supply;
6. Or rotate the **Tuning knob** to select “off” (by default) so that the backlight will be lightened for about 10 seconds whenever a button is pressed with AC power supply.
7. Press the **Tuning knob** to confirm your choice.

Note: The LCD backlight option “on” is only functional when the radio is powered by AC power supply. When the radio is powered by battery power supply, the LCD backlight is switched to option “off” – 10 seconds lightened when a button is pressed. When the radio is connected to mains AC power again, the last user setting will be applied again.

## STONE

The **Tone** function enables the user to adjust the lower and higher sound frequencies.

1. Press the **On/Off button** to turn on the radio.
2. Press and hold the **Volume knob** for about 3 seconds, the display shows “BASS 0”.
3. Rotate the **Volume knob** to set the desire Bass level.
4. Press the **Volume knob** to confirm, the display shows “TREBLE 0”.
5. Rotate the **Volume knob** to set the desire Treble level.
6. Press the **Volume knob** to confirm and return to normal display.

## WARRANTY

This radio has a 2 year limited warranty.

**WARNING ! Warranty becomes void once the radio cabinet has been opened or any modifications or alterations to the radio have been made !**

The terms of the warranty of this radio do not cover the following:

- Damage caused by misuse, abuse, neglect, alterations, accidents or unauthorised repair.
- Normal wear and tear.
- Breaking or bending of the metal telescopic antenna.

## SPECIFICATIONS

### Power requirements

Mains	AC230V 50Hz~
Battery operation	6 x 1,5V (Alkaline Type IEC LR14 / UM-2 / C-size) or 6 x 1,2V (PerfectPro type C / HR14 / 1,2V 4000mAh NiMH rechargeable battery)

### Frequency coverage

DAB+ / DAB	174.928 – 239.200 MHz
FM	87.5 – 108 MHz

### Bluetooth

Version 4.1 Supports Bluetooth profiles A2DP, AVRCP  
2402-2480MHz, Max power < 10dBm

### Circuit features

Loudspeaker	1 x Ø4 inch
Output power	1 x 7.5W
Aux In socket	Ø3.5 mm

GB

### **Environmental note:**



This product has been made from high-quality parts and materials which can be reused and recycled.

Therefore, do not throw the product away with normal household waste at the end of its life. Take it to a collection point for recycling electrical and electronic device. This is indicated by this symbol on the product, in the operating manual and on the packaging.

Please find out about collection points operated by your local authority. Help protect the environmental by recycling used products.



## TABLE DES MATIERES

INSTRUCTIONS DE SECURITE IMPORTANTES ERREUR ! SIGNET NON DEFINI .....	2
COMMANDES .....	3
ALIMENTATION ELECTRIQUE .....	5
Utilisation sur secteur .....	5
Utilisation sur piles .....	5
PREMIERE UTILISATION DE LA RADIO .....	8
MODE DAB .....	8
Fonctionnement de la radio – DAB .....	8
Sélection d'une station – DAB .....	8
Modes d'affichage – DAB .....	9
Recherche automatique de nouvelles stations – DAB .....	9
Recherche manuelle de stations – DAB .....	9
Réglages Dynamic Range Control (DRC) – DAB .....	10
Suppression de stations – DAB .....	10
MODE FM FONCTIONNEMENT DE LA RADIO .....	11
Recherche automatique de stations – FM .....	11
Recherche manuelle de stations – FM .....	11
Service de données RDS – FM .....	11
Activation du service RDS .....	12
Réglage de la sensibilité de balayage – FM .....	12
PRESELECTION DE STATIONS .....	13
Mémoire de stations présélectionnées .....	13
Rappel de stations présélectionnées .....	13
MODE BLUETOOTH .....	13
Appareiller votre téléphone portable en Bluetooth .....	13
Écouter la musique de votre téléphone .....	13
Liste des appareils - Se connecter à l'appareil couplé .....	14
Recommencer l'appareillage Bluetooth .....	14
MODE AUX-IN .....	15
REGLAGE DE L'HEURE ET DE LA DATE .....	16
SONORITE .....	17
SELECTION DE LA LANGUE .....	17
VERSION DU LOGICIEL .....	18
REINITIALISATION DU SYSTEME .....	18
REGLAGE DE LA TONALITE .....	19
RETROELAIRAGE LCD .....	20
GARANTIE .....	21
CARACTERISTIQUES TECHNIQUES .....	21

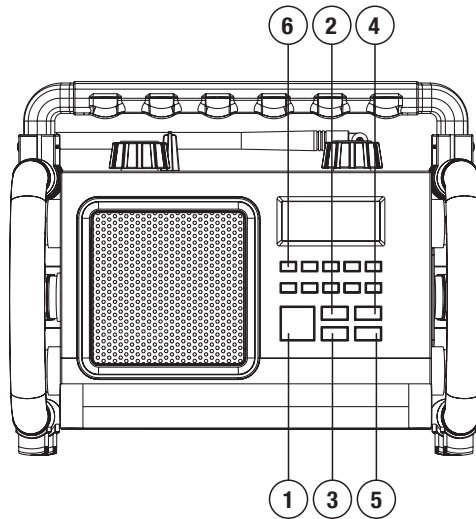
## CONSIGNES DE SECURITE IMPORTANTES

1. Lisez ces consignes.
2. Conservez ces consignes.
3. Respectez ces avertissements.
4. Suivez ces consignes.
5. Nettoyez seulement avec un chiffon sec.
6. Ne bloquez aucune ouverture de ventilation. Installez selon les consignes.
7. N'installez pas à proximité de sources de chaleur telles que les radiateurs, grilles de chauffage, fourneaux ou autres appareils (y compris les amplificateurs) qui produisent de la chaleur.
8. Ne supprimez pas la fonction de sécurité de la fiche polarisée ou à terre – type de prise. Une fiche polarisée possède deux broches dont une est plus large que l'autre. Une prise à terre possède deux broches et une troisième broche à terre. La broche large ou la troisième broche reliée à la terre sont fournies pour des raisons de sécurité. Si la fiche fournie ne rentre pas dans votre prise, consultez un électricien pour qu'il vous change l'ancienne prise.
9. Protégez le cordon d'alimentation afin qu'il ne soit pas piétiné ou serré, particulièrement au niveau de la fiche, de la prise électrique et à l'endroit où il sort de l'appareil.
10. Utilisez seulement des cordons/accessoires précisés par le fabricant.
11. Utilisez seulement avec le chariot, le support, le trépied, la console ou la table précisés par le fabricant ou vendus avec l'appareil. En utilisant un chariot, faites attention en déplaçant la combinaison chariot/appareil pour éviter de vous blesser en cas de chute.
12. Débranchez cet appareil pendant les orages ou lorsque vous ne l'utilisez pas pendant de longues périodes.
13. Confiez toutes les réparations à du personnel de réparation qualifié. La réparation est requise si cet appareil a été endommagé de quelque manière que ce soit, par exemple si le cordon d'alimentation ou la fiche ont été endommagés, si du liquide a été renversé ou si des objets sont tombés sur l'appareil, si l'appareil a été exposé à la pluie ou à de l'humidité, s'il ne fonctionne pas correctement ou s'il est tombé.
14. Pour réduire les risques de feu ou de choc électrique, n'exposez pas cet appareil à la pluie ou à de l'humidité.
15. N'enlevez pas le dessus de l'appareil, il n'y a pas de pièces de réparation à l'intérieur.
16. Ne placer aucune source de flamme nue sur l'appareil.
17. Lors d'une utilisation en extérieur, pour éviter les chocs électriques, utilisez seulement des piles en cas de pluie ou de temps humide. Afin d'éviter tout risque d'électrocution lorsque la radio a été exposée à la pluie ou à l'eau, le cordon d'alimentation et la fiche doivent être séchés complètement avant d'insérer la fiche dans la prise de courant.
18. La prise de courant doit être à proximité de l'appareil et facile d'accès pour qu'en cas d'urgence, pour couper le courant de l'appareil, vous puissiez simplement débrancher la prise de courant.
19. La plaque signalétique se trouve sur la face inférieure de l'appareil.
20. Cet appareil est protégé contre les projections et éclaboussures d'eau (IP65).
21. En cas de perturbations provoquées par une décharge électrostatique ou une pointe de tension, la fiche du cordon d'alimentation de la radio doit être retirée un bref instant de la prise de courant et réinsérée ensuite dans celle-ci.
22. Cet appareil doit être utilisé en climat modéré.
23. Pour éviter d'endommager l'audition, ne pas écouter à volume élevé pendant de longues périodes.



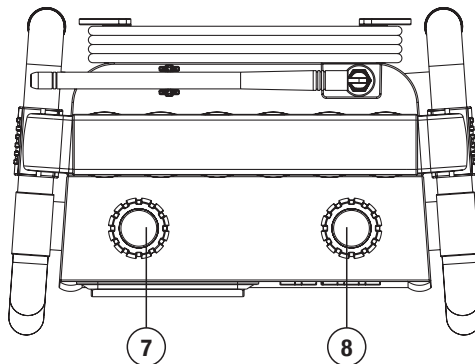
Risque d'électrocution  
Ne pas ouvrir

## Face avant



1. Touche ON-OFF (Veille)
2. Touche de sélection de la source Audio (Source)
3. Touche de menu
4. Touche de sonorité
5. Touche d'informations
6. Touches de présélection de stations 1-10

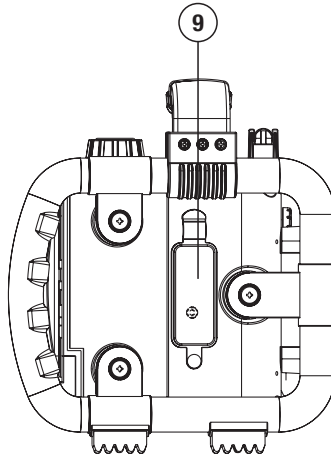
## Face supérieure



7. Bouton de réglage du volume / Réglage de la tonalité
8. Bouton de fréquence / recherche de stations / réglage de l'heure et de la date (uniquement en mode de veille)

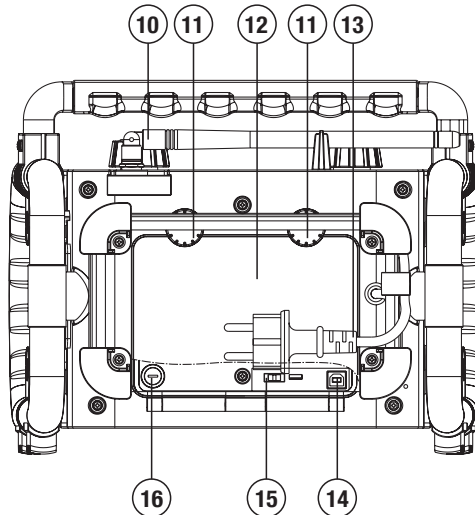


## Côté



9. Prise Aux-In

## Face arrière



- 10. Antenne souple
- 11. Fixations du couvercle du logement des piles
- 12. Logement des piles
- 13. Cordon d'alimentation
- 14. Prise USB (uniquement pour une mise à jour éventuelle du logiciel)
- 15. Interrupteur de sélection du type de piles
- 16. Fusible du chargeur de piles

## ALIMENTATION ELECTRIQUE

### Utilisation sur courant secteur

- Avant d'insérer la fiche du cordon d'alimentation de la radio dans une prise de courant secteur, assurez-vous que la tension du courant secteur soit correcte et que l'**interrupteur de sélection du type de piles** se trouve dans la bonne position : **ALKALINE OFF** en l'absence de piles ou lorsque vous utilisez des piles alcalines / **CHARGE NiMH ON** lorsque vous utilisez des piles NiMH.
- Lorsque vous utilisez des piles alcalines et lorsque l'**interrupteur de sélection du type de piles** se trouve positionné sur **ALKALINE OFF**, les piles seront déconnectées automatiquement lorsque la radio est utilisée sur courant secteur.
- Lorsque vous utilisez des piles NiMH et lorsque l'**interrupteur de sélection du type de piles** se trouve positionné sur **CHARGE NiMH ON**, les piles seront rechargées automatiquement lorsque la radio est utilisée sur courant secteur.

### Remarque :

Afin de déconnecter la radio du courant secteur, la fiche du cordon d'alimentation doit être retirée entièrement de la prise de courant. La fiche et le cordon d'alimentation doivent rester accessibles à tout moment.

En cas de perturbations provoquées par une décharge électrostatique ou une pointe de tension, la fiche du cordon d'alimentation de la radio doit être retirée de la prise de courant et les piles doivent être déconnectées un bref instant.

### Utilisation sur piles

1. Pour ouvrir le logement des piles, tournez d'abord les deux pattes de fixation du couvercle du logement dans le sens inverse des aiguilles d'une montre et tirez ensuite le couvercle vers le bas.
2. La radio Workstation est prévue pour fonctionner sur piles alcalines (6 x 1,5V type IEC LR14 / UM-2 / C-size) ou sur piles NiMH (6 x 1,2V – piles rechargeables PerfectPro - format C / HR14 / 4000mAh). Positionnez l'**interrupteur de sélection du type de piles** sur **ALKALINE OFF** ou **CHARGE NiMH ON** en fonction du type de piles utilisé.
3. Installez les piles dans le logement en respectant la polarité (+ et -). Refermez ensuite le couvercle du logement et tournez les deux pattes de fixation dans le sens des aiguilles d'une montre. Refermez correctement le couvercle afin d'éviter que de l'humidité ou de la poussière pénètre dans le logement des piles.
4. Lorsque vous prévoyez de ne pas utiliser la radio pendant un certain temps, il est recommandé de retirer les piles de celle-ci.

La capacité approximative des piles est affichée à l'écran LCD de la radio au moyen d'une icône "Pile". Lorsque la capacité des piles est très faible, le message "Battery Low!" apparaît à l'écran et l'icône "Pile" clignote. Les piles doivent dans ce cas être remplacées ou rechargées sans tarder, de façon à garantir le fonctionnement normal de la radio.

Lorsque des piles NiMH sont rechargées, une animation de recharge apparaît à l'écran LCD. Le processus de recharge des piles et l'animation de recharge s'arrêteront automatiquement lorsque les piles sont complètement rechargées.

## Remplacement du fusible du chargeur de piles

Pour des raisons de sécurité, le chargeur de piles est équipé d'un fusible destiné à protéger la radio contre une surtension ou une pointe de tension pendant le processus de recharge des piles. Ce fusible sautera en cas de problème avec le chargeur ou les piles (piles endommagées par exemple). Dans ce cas, le chargeur refusera de recharger les piles ou la radio ne fonctionnera plus sur piles. Il y a alors lieu de vérifier l'état du fusible et de remplacer éventuellement les piles et/ou le fusible.

1. Eteignez la radio et retirez la fiche du cordon d'alimentation de la prise de courant.
2. Ouvrez le logement des piles.
3. Vérifiez soigneusement l'état des piles et assurez-vous qu'elles soient installées correctement en respectant la polarité (+ et -). Remplacez les piles si celles-ci sont endommagées. Pour des informations détaillées, consultez le point "INFORMATIONS IMPORTANTES CONCERNANT LA RECHARGE ET L'UTILISATION DE PILES RECHARGEABLES".
4. Localisez le porte-fusible dans le logement des piles. Le couvercle du porte-fusible porte l'inscription "FUSE" (FUSIBLE).
5. Pour enlever le fusible, utilisez un petit tournevis. Tournez prudemment le tournevis vers la gauche tout en appuyant légèrement sur le couvercle. Evitez de forcer sur le couvercle au risque d'endommager celui-ci.
6. Remplacez le fusible défectueux par un fusible neuf du même type. Le type de fusible est indiqué à côté du porte-fusible (T2.5AL 250V). N'utilisez jamais un autre type de fusible.
7. Refixez le couvercle du porte-fusible à l'aide d'un petit tournevis. Tournez prudemment le tournevis vers la droite tout en appuyant légèrement sur le couvercle. Evitez de forcer sur le couvercle au risque d'endommager celui-ci.

Remarque :

- Si le nouveau fusible saute dès que la radio est raccordée au courant secteur ou lorsque vous utilisez la radio, il y a lieu de soupçonner un problème au niveau de la radio ou des piles. Veuillez dans ce cas faire vérifier la radio et/ou les piles par votre revendeur ou par le service technique PerfectPro.
- Le fusible protège également des piles alcalines contre la surtension.

### Avertissement :

Il existe un risque d'explosion lorsque les piles ne sont pas remplacées correctement. Remplacez celles-ci exclusivement par des piles de type identique ou équivalent. Assurez-vous que l'**interrupteur de sélection du type de piles** se trouve dans la bonne position.

Une pile alcaline n'est pas rechargeable. Ne tentez jamais de recharger des piles alcalines.

Ne mélangez jamais différents types de piles.

Ne mélangez jamais des piles chargées et des piles déchargées.

Evitez d'exposer les piles à des chaleurs excessives (soleil, feu ou source de chaleur similaire).

Les piles ne peuvent jamais être détruites par incinération ni éliminées avec les ordures ménagères. Les piles usagées doivent être confiées à un centre de recyclage agréé.

## INFORMATIONS IMPORTANTES CONCERNANT LA RECHARGE ET L'UTILISATION DE PILES RECHARGEABLES

1. **Rechargez les piles au moins tous les deux mois.**
2. Assurez-vous que l'**interrupteur de sélection du type de piles** se trouve positionné sur "**CHARGE / NiMH ON**".
3. **Installez les piles dans le logement des piles en respectant la polarité (+ et -).**
4. **Première utilisation : Rechargez les piles neuves en un seul cycle de charge ininterrompu jusqu'à ce qu'elles soient complètement rechargées.** Ce premier cycle de charge prendra plus de temps qu'un cycle de charge normal. Afin d'augmenter la durée de vie des piles, il est préférable de toujours recharger celles-ci en un seul cycle de charge ininterrompu jusqu'à ce qu'elles soient complètement rechargées. Évitez de recharger les piles lorsque leur charge est encore suffisante.
5. Des piles neuves atteindront leur pleine capacité seulement après un nombre de cycles d'utilisation (décharge-recharge).
6. Lors d'une utilisation fréquente de la radio, laissez le groupe de piles complet dans la radio. N'utilisez pas les piles à d'autres fins. N'enlevez jamais quelques piles de la radio en vue de les utiliser à d'autres fins. Il en résultera inévitablement un mélange de piles (complètement) rechargées et de piles (partiellement) déchargées.
7. Rechargez les piles à une température ambiante entre 5°C et 35°C. Une température ambiante supérieure ou inférieure ne permet pas de recharger complètement les piles.
8. Etant donné la capacité élevée des piles fournies, le cycle de charge complet (piles vides -> piles pleines) de celles-ci peut prendre environ 10 heures.
9. Ne rechargez pas les piles lorsque la radio est chaude ou exposée à la chaleur ou à une source de chaleur.
10. Il est conseillé de nettoyer de temps à autre les contacts métalliques des piles et du chargeur au moyen d'un spray spécial pour composants électroniques.
11. N'utilisez jamais un mélange d'anciennes piles rechargeables et de piles rechargeables neuves.
12. N'utilisez jamais un mélange de piles rechargeables et de piles non rechargeables.
13. N'utilisez jamais un mélange de piles rechargeables déchargées et de piles rechargeables complètement rechargées.
14. N'utilisez jamais un mélange de piles présentant des capacités mAh différentes.
15. N'utilisez jamais des piles endommagées, déformées ou présentant des fuites.
16. La capacité approximative des piles est affichée à l'écran LCD de la radio au moyen d'une icône "Pile". Celle-ci est susceptible de varier en fonction du type de piles dans la radio.
17. Les piles sont susceptibles de devenir chaudes en cours de recharge.
18. Par temps froid, la capacité des piles sera inférieure à la capacité de celles-ci à température ambiante normale.
19. Etant donné que les piles sont des consommables, celles-ci ne sont pas couvertes par la garantie de la radio.
20. Il est conseillé d'utiliser des piles rechargeables PerfectPro, étant donné que la radio et le chargeur interne sont conçus pour être utilisés avec celles-ci.
21. Déconnecter toujours l'appareil du courant secteur avant d'installer les piles.

## PREMIERE UTILISATION DE LA RADIO

1. Placez la radio sur une surface stable et plane.
2. Relevez l'antenne située sur la face supérieure de la radio.
3. Lorsque la radio est raccordée pour la première fois à une source de courant, elle s'allume automatiquement et le message "WELCOME" (BIENVENUE A LA RADIO NUMERIQUE) apparaît à l'écran. La radio effectue ensuite automatiquement un balayage de la plage de fréquences DAB et FM. Le message "ATS setting" (Réglage ATS) est affiché à l'écran.
4. Les 10 stations dont le signal est le plus fort sont alors mises dans la mémoire de stations présélectionnées. Après ce premier balayage, la radio s'éteint automatiquement et l'écran affiche l'heure et la date mises à jour.
5. Lorsqu'aucun signal radio n'a été trouvé, l'heure et la date ne sont pas mises à jour. Placez dans ce cas la radio dans un autre endroit offrant une meilleure réception.

## MODE DAB / FONCTIONNEMENT DE LA RADIO

1. Relevez l'antenne et appuyez sur la **touche ON/OFF** pour allumer la radio.
2. La première station (dans l'ordre alphanumérique 0...9, A...Z) de la liste de stations sera alors audible et le nom de la station sera affiché à l'écran. Si la radio a déjà été utilisée, la dernière station sélectionnée sera dans ce cas audible.
3. Lorsqu'aucun signal radio n'a été trouvé, le message "No stations available" (Aucune station disponible) est affiché à l'écran. Il peut être nécessaire dans ce cas de placer la radio dans un autre endroit offrant une meilleure réception. Vous pouvez ensuite effectuer un Auto Scan pour rechercher des stations. Voir le point "Recherche de nouvelles stations – DAB".

### Sélection d'une station – DAB

1. Appuyez sur la **touche ON/OFF** pour allumer la radio. Le message "Now tuning" (Syntonisation en cours) apparaît pendant quelques secondes à l'écran.
2. Le nom de la station trouvée est ensuite affiché à l'écran.
3. Tournez le **bouton de Fréquence** pour parcourir la liste des stations disponibles.
4. Lorsque le nom de la station souhaitée apparaît à l'écran, appuyez sur le **bouton de Fréquence** pour sélectionner la station en question. Le message "Now tuning" (Syntonisation en cours) apparaît à l'écran pendant tout le temps que la radio recherche la station.

**Remarque :** Si le message "No stations available" (Aucune station disponible) apparaît à l'écran après avoir sélectionné une station, il peut être nécessaire dans ce cas de placer la radio dans un autre endroit offrant une meilleure réception.

## Modes d'affichage – DAB

En mode DAB, la radio est capable d'afficher diverses informations.

1. Appuyez sur la **touche Info** pour parcourir les différentes informations disponibles.
  - a. Texte défilant Affiche des messages de la station que vous écoutez, sous la forme d'un texte défilant.
  - b. Type de programme Affiche le type de programme que vous écoutez, par exemple Pop, Classique, Actualités, etc.
  - c. Force du signal Affiche la force du signal de réception de la station que vous écoutez. Le bloc ouvert indique le niveau minimum du signal nécessaire pour obtenir une bonne réception.
  - d. Nom du multiplex Affiche le nom du multiplex auquel la station appartient.
  - e. Canal et fréquence Affiche le numéro et la fréquence de la station que vous écoutez.
  - f. Débit binaire et type audio Affiche le débit binaire de l'émission.
  - g. Date et heure Affiche la date et l'heure exacte.

## Recherche automatique de nouvelles stations – DAB

De temps à autre, il se peut que de nouvelles stations soient disponibles. Pour trouver celles-ci :

1. Appuyez sur la **touche Menu**. "Full scan" (Balayage complet) est ensuite affiché à l'écran.
2. Appuyez sur le **bouton de Fréquence**. La radio effectue alors un balayage complet des fréquences de la DAB Bande III. Lorsque la radio trouve de nouvelles stations, celles-ci sont ajoutées à la liste des stations disponibles.

## Recherche manuelle de stations – DAB

Une recherche manuelle vous offre la possibilité de sélectionner directement des stations dans la DAB Bande III.

1. Appuyez sur la **touche Menu**. "Full scan" (Balayage complet) est ensuite affiché à l'écran.
2. Tournez le **bouton de Fréquence** jusqu'à ce que "Manual tuning" (Syntonisation manuelle) soit affiché à l'écran. Appuyez ensuite sur le **bouton de Fréquence**.
3. Tournez le **bouton de Fréquence** pour rechercher la fréquence DAB souhaitée. Appuyez sur le **bouton de Fréquence** pour sélectionner la fréquence en question.
4. L'affichage de la force du signal indique le niveau du signal capté par la radio. Le bloc ouvert indique le niveau minimum du signal nécessaire pour obtenir une bonne réception. L'affichage de la force du signal change lorsque vous changez la position de l'antenne.
5. Lorsque la radio capte un signal DAB, le nom de la station est affiché à l'écran.
6. Appuyez sur le **bouton de Fréquence** pour revenir au menu DAB standard.

## **Réglages Dynamic Range Control (DRC) – DAB**

La fonction DRC permet de rendre des sons doux plus audibles lorsque la radio est utilisée dans un environnement ou un endroit particulièrement bruyant.

1. Appuyez sur la **touche Menu**. “Full scan” (Balayage complet) est ensuite affiché à l'écran.
2. Tournez le **bouton de Fréquence** jusqu'à ce que “DRC value” (Valeur DRC) soit affiché à l'écran. Appuyez ensuite sur le **bouton de Fréquence**.
3. Tournez le **bouton de Fréquence** pour choisir le réglage DRC souhaité (normalement, la fonction DRC est désactivée).

i.	DRC Off	fonction DRC désactivée.
ii.	DRC 1/2	niveau DRC réglé à 50% du niveau émis.
iii.	DRC 1	niveau DRC réglé à 100% du niveau émis.
4. Appuyez sur le **bouton de Fréquence** pour confirmer votre sélection et revenir au menu DAB standard.

**Remarque** : Toutes les stations DAB n'utilisent pas la fonction DRC. Lorsqu'une station n'émet aucune information DRC, les réglages DRC n'ont aucun effet sur la radio.

## **Suppression de stations (Fonction “Prune”) – DAB**

Lorsque vous vous rendez dans une autre région ou dans un autre pays, il se peut que certaines stations ne soient plus disponibles. Il se peut également que certaines stations arrêtent d'émettre ou changent de fréquence. La fonction “Prune” (Suppression) permet de supprimer de la liste des stations, les stations qui ne sont plus disponibles.

1. Appuyez sur la **touche Menu**. “Full scan” (Balayage complet) est ensuite affiché à l'écran.
2. Tournez le **bouton de Fréquence** jusqu'à ce que “Prune” (Suppression) soit affiché à l'écran. Appuyez ensuite sur le **bouton de Fréquence**.
3. Tournez le **bouton de Fréquence** pour choisir “Yes”(Oui) ou “No”(Non) (Le réglage standard est Non).
4. Appuyez sur le **bouton de Fréquence** pour confirmer votre sélection et revenir au menu DAB standard.

**Remarque** : Lorsque vous vous rendez dans une autre région ou dans un autre pays, il est conseillé d'effectuer une recherche des nouvelles stations disponibles. Voir à cet effet le point “Recherche de nouvelles stations”.

## MODE FM / FONCTIONNEMENT DE LA RADIO

### Recherche automatique de stations

1. Appuyez sur la **touche ON/OFF** pour allumer la radio.
2. Appuyez sur la **touche Source** pour sélectionner le mode **FM**.
3. Lors de la première utilisation de la radio, la station dans la mémoire de présélection 1 sera sélectionnée. Si la radio a déjà été utilisée dans le passé, la dernière station écoutée sera dans ce cas sélectionnée.
4. Appuyez sur le **bouton de Fréquence** pour démarrer la recherche automatique de stations.
5. La radio lance la recherche et s'arrête automatiquement lorsqu'elle trouve une station offrant une bonne réception.
6. Pour rechercher une autre station, appuyez de nouveau sur le **bouton de Fréquence**.
7. Pour rechercher des stations dans le sens opposé, tournez le **bouton de Fréquence** dans le sens des aiguilles d'une montre (pour rechercher des stations depuis les basses fréquences vers les hautes fréquences) ou dans le sens inverse des aiguilles d'une montre (pour rechercher des stations depuis les hautes fréquences vers les basses fréquences) et appuyez ensuite sur le **bouton de Fréquence**.
8. Lorsque la fin de la plage de fréquences est atteinte, la radio recommence la recherche depuis l'autre extrémité de la plage de fréquences.

### Recherche manuelle de stations

1. Appuyez sur la **touche ON/OFF** pour allumer la radio.
2. Appuyez sur la **touche Source** pour sélectionner le mode **FM**.
3. Lors de la première utilisation de la radio, la station dans la mémoire de présélection 1 sera sélectionnée. Si la radio a déjà été utilisée dans le passé, la dernière station écoutée sera dans ce cas sélectionnée.
4. Tournez le **bouton de Fréquence** pour atteindre la station **FM** souhaitée. La fréquence change par incréments de 50 kHz.
5. Tournez le **bouton de réglage du Volume** pour obtenir le niveau de volume souhaité.
6. Tournez éventuellement l'antenne pour obtenir une meilleure réception.
7. Lorsque la fin de la plage de fréquences est atteinte, la radio recommence la recherche depuis l'autre extrémité de la plage de fréquences.

### Service de données RDS

Le RDS (Radio Data System) est un système d'informations par lequel des informations numériques non audibles sont transmises en plus du programme radio FM normal. Lorsque la radio capte une station RDS et que la force du signal de réception est suffisante, le nom de la station apparaît à l'écran LCD. Un certain temps peut s'écouler avant que les informations RDS soient disponibles.



## Activation du service RDS

Lorsque vous écoutez une station FM comportant le système RDS, appuyez plusieurs fois sur la touche Info pour parcourir les informations RDS. Ceci fonctionne uniquement lorsque la réception est suffisamment bonne et claire.

- |                            |   |
|----------------------------|---|
| a. Service Programme (PS)  | Affiche le nom de la station que vous écoutez.  |
| b. Type de programme (PTY) | Affiche le type de station que vous écoutez, par exemple Pop, Classique, Actualités, etc. |
| c. Radio texte (RT)        | Affiche des messages de la station que vous écoutez, sous la forme d'un texte défilant.   |
| d. Force du signal (SGLV)  | Affiche la force du signal de réception de la station que vous écoutez.                   |
| e. Date et heure           | Affiche la date et l'heure exacte.  |

## Réglage de la sensibilité de balayage – FM

La radio effectue normalement un balayage de toutes les stations FM, y compris celles dont le signal est faible. Il vous est toutefois possible de régler la fonction de balayage de telle sorte que seules les stations dont le signal est fort assez pour offrir une bonne réception, soient captées.

1. Appuyez sur la **touche ON/OFF** pour allumer la radio.
2. Appuyez sur la **touche Source** pour sélectionner le mode **FM**.
3. Appuyez sur la **touche Menu**. "Scan setting" (Réglage de la sensibilité de balayage) est ensuite affiché à l'écran.
4. Appuyez sur le **bouton de Fréquence**.
5. Tournez le **bouton de Fréquence** pour choisir "All stations" (Toutes les stations) ou "Strong stations" (Stations au signal fort). Le réglage standard est "All stations" (Toutes les stations).  
Lorsque l'option "Strong stations" (Stations au signal fort) a été sélectionnée, la radio capte, lors du balayage des stations FM, uniquement les stations dont le signal est fort.
6. Appuyez sur le **bouton de Fréquence** pour confirmer le réglage.

## PRESELECTION DE STATIONS

### Mémoire de stations présélectionnées

La radio possède 20 emplacements de mémoire de stations présélectionnées, 10 pour la FM et 10 pour la DAB. Les stations présélectionnées sont conservées dans la mémoire de la radio même en cas de coupure de courant.

1. Appuyez sur la **touche ON/OFF** pour allumer la radio.
2. Appuyez sur la **touche Source** pour sélectionner le mode FM.
3. Sélectionnez la station souhaitée.
4. Appuyez sur la **touche de Présélection** souhaitée jusqu'à ce que la radio émette un bip et affiche par exemple "Preset 1 saved" (Présélection 1 mémorisée).
5. Répétez les étapes 3 et 4 pour les autres présélections.
6. Les stations présélectionnées et mémorisées peuvent être écrasées en répétant les points 3 et 4 ci-dessus.

### Rappel de stations présélectionnées

1. Appuyez sur la **touche ON/OFF** pour allumer la radio.
2. Appuyez sur la **touche Source** pour sélectionner le mode FM.
3. Appuyez brièvement sur la **touche de Présélection** souhaitée. Le numéro de la présélection et la fréquence de la station sont ensuite affichés à l'écran.

## MODE BLUETOOTH

### Appareiller votre téléphone portable en Bluetooth

1. Appuyez sur la **touche ON/OFF** pour allumer la radio.
2. Appuyez sur la **touche Source** pour sélectionner le mode Bluetooth.
3. L'écran LCD indique alors « Not connected » (Non connecté) tant que la radio n'est pas couplée avec votre téléphone portable.
4. Activez le Bluetooth dans le menu Réglages de votre téléphone, puis sélectionnez « **RockBox 3** » dans la liste des appareils Bluetooth de votre téléphone (Les instructions d'appareillage peuvent varier en fonction de votre type de téléphone. Consultez le mode d'emploi de votre téléphone).
5. Une fois appareillés, l'écran d'affichage LCD affiche « connected » (Bluetooth connecté) sur la première ligne.

### Écouter la musique de votre téléphone

1. Appuyez sur la **touche ON/OFF** pour allumer la radio.
2. Appuyez sur la **touche Source** pour sélectionner le mode Bluetooth.
3. Lancez votre titre sur le lecteur media du téléphone appareillé.
4. Utilisez les **touches ►II, ►►I et I◀◀** (touches de présélection 3, 4 et 5) de la radio pour commander les différentes fonctions d'écoute de vos morceaux préférés.

## Liste des appareils - Se connecter à l'appareil couplé

Sur cette radio, vous pouvez sélectionner l'appareil Bluetooth à appareiller dans la Liste des appareils afin de vous reconnecter à cet appareil.

Les noms des appareils s'afficheront dans la liste si le nom du Bluetooth a été préalablement configuré dans les appareils mobiles. Référez-vous au mode d'emploi de votre téléphone portable pour la configuration.

La liste des appareils peut-être consultée en suivant ces instructions:

1. En mode Bluetooth, appuyez sur la **touche Menu** pour entrer dans le menu réglage.
2. Tournez le **bouton de Fréquence** jusqu'à ce que « Device Liste » (Liste des appareils) s'affiche à l'écran; appuyez sur le **bouton de Fréquence** pour sélectionner le réglage.
3. Tournez le **bouton de Fréquence** pour voir le nom des appareils.
4. Appuyez sur le **bouton de Fréquence** pour commencer la reconnexion Bluetooth. La radio se reconnectera automatiquement à l'appareil mobile sélectionné.

**Remarque:** Cette radio peut mémoriser jusqu'à 8 appareils Bluetooth. Lorsque la mémoire dépasse ce nombre, le premier appareil couplé sera effacé de la radio.

**Remarque:** Si vous avez effacé « **RockBox 3** » de la liste des appareils de votre téléphone portable, la reconnexion automatique ne pourra s'établir.

## Recommencer l'appareillage Bluetooth

F

La fonction Bluetooth peut être gérée de différentes manières:

1. En mode Bluetooth, appuyez sur la **touche Menu** pour entrer dans le menu de réglages.
2. Tournez le **bouton de Fréquence** pour sélectionner l'option « Disconnect BT » (déconnecter le Bluetooth), et appuyez sur le **bouton de Fréquence** pour sélectionner le réglage désiré.
3. L'écran d'affichage affichera « Not connected » (Non connecté) et le Bluetooth de la radio sera alors disponible pour être connecté à un autre appareil mobile puisqu'il sera désormais en mode visible.

Remarque: Disconnect Bluetooth (Déconnectez le Bluetooth) est l'option qui force le Bluetooth de la radio à se déconnecter de l'appareil mobile et à devenir visible pour un autre appareillage. Si aucun nouvel appareil est appareillé, le Bluetooth de la radio tentera automatiquement de se reconnecter au dernier appareil couplé lorsque la radio sera rallumée.

La fonction Auto- Power Management sera activée en mode Bluetooth. S'il n'y a pas de signal\* pendant plus de 15 minutes, la radio se mettra automatiquement en mode veille. Appuyez sur la touche On/Off pour enclencher la radio à nouveau.

## MODE AUX-IN

Une prise **Aux-In** stéréo de 3,5 mm est prévue sur le côté de la radio, derrière la coiffe en caoutchouc, et permet d'y brancher des appareils audio externes tels que lecteur MP3 ou lecteur de CD (non fourni avec la radio).

1. Raccordez une source audio à la prise **Aux-In**.
2. Appuyez sur la **touche Source** pour sélectionner l'entrée Aux-In. L'écran affiche ensuite "AUX-IN".
3. Allumez et démarrez le lecteur externe.
4. Réglez le volume de la radio et du lecteur au niveau d'écoute souhaité.
5. Assurez-vous que la coiffe en caoutchouc se trouve correctement positionnée sur la prise après utilisation de celle-ci, afin d'empêcher l'humidité ou la poussière de pénétrer dans la radio.

**Remarque :** N'utilisez jamais la prise AUX-IN sous la pluie ou dans un environnement humide, de façon à éviter que de l'humidité pénètre dans la radio. Conservez dans ce cas la coiffe en caoutchouc toujours bien fermée.

La fonction de gestion d'alimentation automatique sera activée en mode AUX. S'il n'y a aucun signal de la prise d'entrée AUX pendant plus de 15 minutes, l'unité passera automatiquement en veille. L'indicateur d'utilisation et l'écran LCD s'éteindront dans ce cas. Une pression sur la touche On/Standby réveillera l'unité.

## REGLAGE DE L'HEURE ET DE LA DATE

L'heure et la date peuvent être réglées uniquement lorsque la radio est éteinte. Lorsqu'aucune touche n'est activée pendant 5 secondes, la radio quitte le mode de réglage de l'heure et l'heure réglée est annulée.

1. Appuyez sur le **bouton de Fréquence** pendant 12 secondes jusqu'à ce que les chiffres correspondant aux heures clignotent à l'écran.
2. Tournez le **bouton de Fréquence** pour régler l'heure.
3. Appuyez sur le **bouton de Fréquence** pour confirmer, les chiffres correspondant aux minutes clignotent ensuite à l'écran.
4. Tournez le **bouton de Fréquence** pour régler les minutes.
5. Appuyez sur le **bouton de Fréquence** pour confirmer, les chiffres correspondant aux jours clignotent ensuite à l'écran.
6. Tournez le **bouton de Fréquence** pour régler le jour exact.
7. Appuyez sur le **bouton de Fréquence** pour confirmer, les chiffres correspondant aux mois clignotent ensuite à l'écran.
8. Tournez le **bouton de Fréquence** pour régler le mois exact.
9. Appuyez sur le **bouton de Fréquence** pour confirmer, les chiffres correspondant aux années clignotent ensuite à l'écran.
10. Tournez le **bouton de Fréquence** pour régler l'année exacte.
11. Appuyez sur le **bouton de Fréquence** pour confirmer. "SYNCLOCK ON" (Synchronisation de l'heure) clignote ensuite à l'écran.
12. Tournez le **bouton de Fréquence** pour sélectionner "SYNCLOCK ON" ou "SYNCLOCK OFF".
13. Appuyez sur le **bouton de Fréquence** pour confirmer votre choix et terminer le réglage de l'heure et de la date.

### Synchronisation de l'heure par stations RDS

Lorsque "SYNCLOCK ON" a été sélectionné, le symbole "⌚" apparaît à l'écran. Certaines stations RDS transmettent un signal horaire. Si la réception est bonne et que vous avez sélectionné l'option "SYNCLOCK ON", l'heure sera réglée automatiquement ("⌚" clignote à l'écran). La synchronisation de l'heure peut prendre quelques minutes. Le réglage automatique de l'heure est toujours activé lorsque la radio est allumée en mode de réception FM et capte une station RDS.

## SONORITE

Appuyez sur la **touche Loudness** (Sonorité) pour obtenir une compensation dans les basses et hautes fréquences. L'effet sera plus audible lorsque la radio est réglée à un faible volume (Dynamic Loudness). L'écran LCD affiche brièvement "Loudness On" ou "Loudness Off" lors de chaque pression sur la touche.

### Réglage de la sensibilité de balayage – FM

La radio effectue normalement un balayage de toutes les stations FM, y compris celles dont le signal est faible. Il vous est toutefois possible de régler la fonction de balayage de telle sorte que seules les stations dont le signal est fort assez pour offrir une bonne réception, soient captées.

1. Appuyez sur la **touche ON/OFF** pour allumer la radio.
2. Appuyez sur la **touche Source** pour sélectionner le mode **FM**.
3. Appuyez sur la **touche Menu**. "Scan setting" (Réglage de la sensibilité de balayage) est ensuite affiché à l'écran.
4. Appuyez sur le **bouton de Fréquence**.
5. Tournez le **bouton de Fréquence** pour choisir "All stations" (Toutes les stations) ou "Strong stations" (Stations au signal fort). Le réglage standard est "All stations" (Toutes les stations).  
Lorsque l'option "Strong stations" (Stations au signal fort) a été sélectionnée, la radio capte, lors du balayage des stations FM, uniquement les stations dont le signal est fort.
6. Appuyez sur la **bouton de Fréquence** pour confirmer le réglage.

## SELECTION DE LA LANGUE

La radio peut être réglée de façon à ce que l'affichage soit dans la langue de votre choix.

1. Appuyez sur la **touche ON/OFF** pour allumer la radio.
2. Appuyez sur la **touche Source** pour sélectionner le mode FM ou DAB.
3. Appuyez sur la **touche Menu** et tournez le **bouton de Fréquence** jusqu'à ce que "System" soit affiché à l'écran.
4. Appuyez sur le **bouton de Fréquence** et tournez ensuite le **bouton de Fréquence** jusqu'à ce que "Language" (Langue) soit affiché à l'écran.
5. Appuyez sur le **bouton de Fréquence** pour entrer dans le menu de sélection de la langue.
6. Tournez le **bouton de Fréquence** pour sélectionner la langue souhaitée. Le réglage standard est l'anglais.
7. Appuyez sur le **bouton de Fréquence** pour confirmer votre sélection.

## VERSION DE LOGICIEL

Il n'est pas possible de modifier l'affichage de la version du logiciel. Cet affichage est donné uniquement à titre d'information. Il est possible de voir la version du logiciel dans le menu DAB ou FM.

1. Appuyez sur la **touche ON/OFF** pour allumer la radio.
2. Appuyez sur la **touche Source** pour sélectionner le mode FM ou DAB.
3. Appuyez sur la **touche Menu** et tournez le **bouton de Fréquence** jusqu'à ce que "System" soit affiché à l'écran.
4. Appuyez sur le **bouton de Fréquence** et tournez ensuite le **bouton de Fréquence** jusqu'à ce que "SW version" (Version du logiciel) soit affiché à l'écran.
5. Appuyez sur le **bouton de Fréquence** pour voir la version du logiciel.
6. Appuyez sur le **bouton de Fréquence** pour revenir au menu standard de la radio.

**Remarque :** La prise USB dans le logement des piles est destinée à la mise à jour éventuelle du logiciel.

## REINITIALISATION DU SYSTEME

Lorsque la radio ou l'affichage ne fonctionne pas correctement ou en l'absence d'affichage, suivez la procédure ci-dessous.

F

1. Appuyez sur la **touche ON/OFF** pour allumer la radio.
2. Appuyez sur la **touche Menu** et tournez le **bouton de Fréquence** jusqu'à ce que "System" soit affiché à l'écran.
3. Appuyez sur le **bouton de Fréquence** et tournez ensuite le **bouton de Fréquence** jusqu'à ce que "Factory reset" (Réglages d'usine) soit affiché à l'écran.
4. Appuyez sur le **bouton de Fréquence** et tournez ensuite le **bouton de Fréquence** pour sélectionner "Yes" (Oui) ou "No" (Non).
5. Appuyez sur le **bouton de Fréquence** pour confirmer votre sélection.
6. Une réinitialisation complète de la radio sera alors effectuée. La mémoire de stations présélectionnées sera effacée et tous les réglages personnels seront annulés. Les réglages d'usine seront ensuite restaurés. Le message "WELCOME" (BIENVENUE A LA RADIO NUMERIQUE) sera affiché à l'écran et la radio effectuera ensuite automatiquement un balayage de la plage de fréquences DAB et FM. Le message "ATS setting" (Réglage ATS) sera affiché à l'écran.

**En cas de perturbations provoquées par une décharge électrostatique, réinitialisez la radio comme décrit ci-dessus. En cas d'échec, retirez la fiche du cordon d'alimentation de la radio de la prise de courant et réinsérez celle-ci.**

"Sous l'environnement avec une perturbation de l'immunité conduite / Immunité rayonnée, l'échantillon peut mal fonctionner. Il se récupérera automatiquement à la normale lorsque la perturbation de l'immunité entraînée / l'immunité rayonnée s'est arrêtée."

## REGLAGE DE LA TONALITE

La fonction de réglage de la tonalité (Tone) vous permet d'ajuster le niveau des basses et des aiguës en fonction de vos goûts personnels.

1. Appuyez sur la **touche ON/OFF** pour allumer la radio.
2. Appuyez sur le **bouton de Volume** pendant 3 sec. "BASS 0" (BASSES 0) sera alors affiché à l'écran.
3. Tournez le **bouton de Volume** pour régler les basses au niveau souhaité.
4. Appuyez sur le **bouton de Volume** pour confirmer. "TREBLE 0" (AIGUËS 0) sera ensuite affiché à l'écran.
5. Tournez le **bouton de Volume** pour régler les aiguës au niveau souhaité.
6. Appuyez sur le **bouton de Volume** pour confirmer votre sélection et retourner à l'écran normal.



## RETROECLAIRAGE LCD

### Configuration du rétro-éclairage de l'écran d'affichage LCD

1. Appuyez sur la **touche ON/OFF** pour allumer la radio.
2. Appuyez sur la **touche Menu** puis tourner le bouton du contrôle de réglage jusqu'à ce que l'écran affiche « System ».
3. Appuyez sur le **bouton de Fréquence**; tournez le **bouton de Fréquence** jusqu'à ce que l'écran affiche « LCD backlight » (LCD éclairage).
4. Appuyez sur le **bouton de Fréquence** pour entrer dans le menu de réglage du rétro-éclairage de l'écran d'affichage LCD.
5. Tournez le **bouton de Fréquence** pour sélectionner « on » afin de garder le rétro-éclairage continuellement allumé lorsque la radio fonctionne sur secteur.
6. Ou tournez le **bouton de Fréquence** pour sélectionner « off » (par défaut) afin que lorsque vous utilisez la radio sur secteur, le rétro-éclairage reste allumé pendant environ 10 secondes à chaque fois que vous appuyez sur un bouton.
7. Appuyez sur le **bouton de Fréquence** pour confirmer votre choix.

Remarque: L'option de rétro-éclairage de l'écran LCD est seulement fonctionnelle sur « on » lorsque la radio fonctionne sur secteur. Lorsqu'elle fonctionne sur piles, l'option de rétro-éclairage de l'écran LCD est automatiquement sur « off » - 10 secondes d'éclairage de l'écran lorsqu'un bouton est pressé. Lorsque la radio est branchée à nouveau sur secteur, la dernière configuration choisie par l'utilisateur sera à nouveau appliquée.

## GARANTIE

Ce produit est garanti pendant deux ans.

**AVERTISSEMENT : LA GARANTIE PREND FIN LORSQUE LE BOITIER DE LA RADIO A ETE OUVERT OU LORSQUE DES MODIFICATIONS ONT ETE APORTEES A LA RADIO !**

La garantie de la radio ne couvre pas :

- Les dommages et le bris résultant d'une utilisation non correcte, d'un usage abusif, d'une négligence, de modifications, d'accidents ou de réparations non autorisées.
- L'usure normale en cours d'utilisation.
- Le bris ou la courbure excessive de l'antenne télescopique en métal.

## CARACTERISTIQUES TECHNIQUES

<b>Source de courant</b>	Fonctionnement sur secteur	AC 230V, 50Hz, courant alternatif
	Fonctionnement sur piles	6 x 1,5V (Alcaline type IEC LR14 / UM-2 / format C) ou 6 x 1,2V (PerfectPro format C /HR14 / 1,2V 4000mAh NiMH piles rechargeables)
<b>Plage de fréquences</b>	Bande DAB+/DAB	174.928 – 239.200 MHz
	Bande FM	87.5 – 108 MHz
<b>Autres caractéristiques</b>	Haut-parleur	1 x Ø4"
	Puissance de sortie	1 x 7.5W
	Prise Aux-In	Ø3.5 mm
<b>Bluetooth</b>	Version 4.1 compatible avec les profils Bluetooth A2DP, AVRCP 2402-2480MHz, Max power < 10dBm	

### Protection de l'environnement :



Ce produit est fabriqué avec des pièces et des matériaux de qualité, susceptibles d'être réutilisés et recyclés. Lorsque ce produit a atteint la fin de sa vie utile, ne le jetez par conséquent pas avec les ordures ménagères ordinaires, mais confiez-le à un point de collecte et de recyclage d'appareils électriques et électroniques. Le symbole ci-contre figure à cet effet sur le produit, dans le mode d'emploi ainsi que sur l'emballage.

Veillez-vous informer auprès des autorités communales au sujet des points de collecte les plus proches de chez vous. Aidez à protéger l'environnement en recyclant les produits usagés.



# INHOUD

BELANGRIJKE VEILIGHEIDSINSTRUCTIES .....	2
BEDIENINGSELEMENTEN .....	3
STROOMVOORZIENING .....	5
Gebruik op netstroom.....	5
Gebruik met batterijen.....	5
EERSTE GEBRUIK VAN DE RADIO .....	8
DAB MODUS .....	8
Een zender kiezen – DAB .....	8
Display modus – DAB .....	9
Nieuwe stations zoeken – DAB .....	9
Handmatig zenders zoeken – DAB .....	9
Dynamic range control (drc) instellingen – DAB .....	10
Zenders snoeien “prune” – DAB .....	10
FM MODUS .....	11
Automatische zenderzoek functie.....	11
Manuele afstemming.....	11
RDS zender-service.....	11
Scan gevoeligheid instelling – FM .....	12
Instellen van zenders in het voorkeuze-geheugen .....	12
Oproepen van zenders uit het voorkeuze-geheugen .....	13
BLUETOOTH MODUS .....	13
Bluetooth koppelen met uw mobiele telefoon .....	13
Muziek afspelen vanaf uw mobiele telefoon .....	13
Device list (Apparaten lijst) – Afspelen vanaf een apparaat waarmee eerder is gekoppeld .....	14
Bluetooth koppelen opnieuw starten .....	14
AUX IN MODUS .....	15
INSTELLEN VAN DE KLOK – DATUM .....	15
LOUDNESS .....	16
TAALINSTELLING.....	16
SOFTWARE VERSION .....	17
SYSTEEM RESET .....	17
LCD-VERLICHTING .....	18
TOONREGELING .....	18
GARANTIE .....	19
TECHNISCHE GEGEVENS .....	19

## BELANGRIJKE ALGEMENE VEILIGHEIDSLINSTRUCTIES

1. Lees deze instructies.
2. Bewaar deze instructies goed.
3. Neem alle waarschuwingen in acht.
4. Volg alle aanwijzingen op.
5. Reinig het uitsluitend met een droge doek.
6. Blokkeer geen ventilatieopeningen en plaats het toestel volgens de instructies.
7. Plaats het niet in de buurt van warmtebronnen zoals verwarmingen, ventilatiekleppen, ovens en andere apparaten (incl. versterkers) die warmte afgeven.
8. Beschadig niet de ten behoeve van de veiligheid gepoolde of gearde stekkers. Een gepoolde stekker bezit twee contacten, een is breder dan de andere. Een gearde stekker bezit twee contacten en een derde pen voor de aarding. Het brede contact of de derde pin dienen voor uw veiligheid. Mocht de meegeleverde stekker niet in uw stopcontact passen, neem dan voor het vervangen van het verouderde stopcontact contact op met een elektricien.
9. Bescherm de stroomkabel, opdat hierop niet gelopen wordt en er geen beschadigingen of knikken optreden aan de stekker, aan het stopcontact of op de plek waar de stekker uit het toestel komt.
10. Gebruik uitsluitend de door de fabrikant aangegeven onderdelen/accessoires.
11. Gebruik het toestel uitsluitend met de door de fabrikant aangegeven of samen met het toestel gekochte wagentjes, standards, driepoten, klemmen of tafel. Wanneer u een wagen gebruikt, wees dan voorzichtig bij het bewegen van de combinatie wagen/toestel om letsel door omvallen te vermijden.
12. Koppel het toestel van de stroomvoorziening af bij onweer of wanneer het langere tijd niet wordt gebruikt.
13. Laat iedere vorm van onderhoud door gekwalificeerd personeel verrichten. Een onderhoud is noodzakelijk wanneer het toestel aan de stroomkabel of stekker beschadigd werd, wanneer er vloeistof of voorwerpen in het toestel zijn binnengedrongen, wanneer het toestel aan regen of vochtigheid was blootgesteld en wanneer het niet normaal functioneert resp. gevallen is.
14. Stel het toestel noch aan regen noch aan vochtigheid bloot om het gevaar voor brand of het risico van een elektrische schok te reduceren.
15. Verwijder de afdekking niet. In het binnenste bevinden zich geen onderdelen waarvoor een onderhoud noodzakelijk is.
16. Geen voorwerpen op het apparaat plaatsen welke een bron zijn van open vlammen.
17. Gebruik bij het gebruik in de open lucht op regenachtige dagen of bij vochtig weer uitsluitend batterijen om een elektrische schok te vermijden. Om elektrische schok te voorkomen, als de radio blootgesteld is geweest aan regen of water, dienen zowel het snoer als de stekker volledig gedroogd te worden alvorens de stekker in het stopcontact wordt gestoken.
18. De netstekker moet dicht bij het toestel en steeds toegankelijk zijn, zodat in geval van nood (bijv. om het toestel van het stroomnet te scheiden) alleen de stekker uit het stopcontact moet worden getrokken.
19. De productinformatie is te vinden op de onderzijde van het toestel.
20. Dit apparaat is voorzien van bescherming tegen spattend water (IP65).
21. In geval van storing ten gevolge van Electro-statische ontlading of piekspanning, verwijder de stroombron en sluit deze daarna weer aan.
22. Het apparaat moet gebruikt worden in een gemiddeld klimaat.
23. Om mogelijke gehoorschade te voorkomen niet op een hoog volume gedurende een lange periode luisteren.

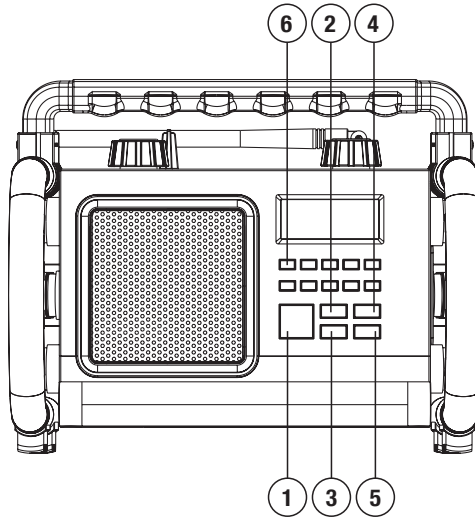


**CAUTION**  
RISK OF ELECTRIC SHOCK  
DO NOT OPEN



LET OP: gevaar voor elektrische schok – niet openen.

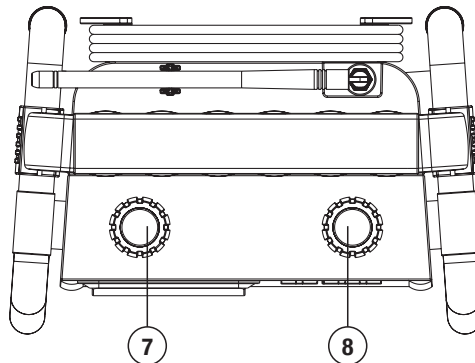
## Voorzijde



1. Aan-Uit (Standby) toets
2. Audiobron keuzetoets (Source)
3. Menu toets
4. Loudness toets
5. Info toets
6. Voorkeuze-zender toetsen 1-10

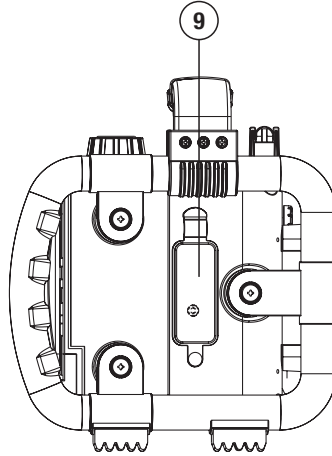
NL

## Bovenzijde



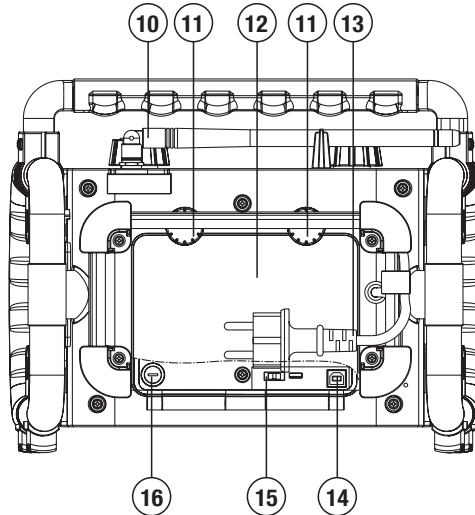
7. Volume draaiknop / Toonregeling
8. Frequentie draaiknop / Zender-zoekknop / Tijd-datum instelling (alleen in Standby)

## Zijkant



9. Aux-in ingang

## Achterzijde



- 10. Flexibele antenne
- 11. Batterijen-compartiment sluitingen
- 12. Batterijen
- 13. Stroomkabel
- 14. USB ingang (alleen voor eventuele software update)
- 15. Batterijen-type schakelaar
- 16. Zekering van de batterijenlader

# STROOMBRONNEN

## Gebruik op netstroom

- Voordat u de stroomkabel met het stopcontact verbindt, dient u te controleren of de netstroom spanning correct is en dat de **Batterijen-type schakelaar** in de juiste positie staat: **ALKALINE OFF** wanneer u geen batterijen of Alkaline batterijen gebruikt / **CHARGE NiMH ON** wanneer u NiMH batterijen gebruikt.
- Wanneer u Alkaline batterijen gebruikt en de **Batterijen-type schakelaar** staat op **ALKALINE OFF** dan zullen de batterijen automatisch worden uitgeschakeld wanneer u netstroom gebruikt.
- Wanneer u NiMH batterijen gebruikt en de **Batterijen-type schakelaar** staat op **CHARGE NiMH ON** dan zullen de batterijen automatisch worden opgeladen wanneer u netstroom gebruikt.

Opmerking: Om het toestel volledig van de netstroom af te koppelen moet de stekker volledig uit het stopcontact worden getrokken. De stekker en stroomdraad dienen daarvoor altijd bereikbaar te zijn met directe toegang.

In geval van storing ten gevolge van electro-statische ontlading of piekspanning, ontkoppel de stroombron en de batterijen en sluit deze daarna weer aan.

## Gebruik met batterijen

1. Om het batterijen-compartiment te openen draait u eerst de bevestigingen van de batterijklep tegen de wijzers van de klok in om deze los te draaien en trekt vervolgens de batterijklep naar beneden.
2. Deze radio werkt op Alkaline batterijen (6 x 1,5V type IEC LR14 / UM-2 / maat C) of NiMH batterijen (6 x 1,2V Perfectpro oplaadbare batterijen maat C / HR14 / 4000mAh). Zet de Batterijen-type schakelaar op het gebruikte type batterijen. (**ALKALINE OFF** of **CHARGE NiMH ON**).
3. Plaats de batterijen met correcte polariteit (+ en -) zoals aangegeven in het batterijen-compartiment. Sluit de batterijklep en draai de 2 sluitingen dicht (met de wijzers van de klok mee). Sluit het goed af om te voorkomen dat er vocht of stof in het compartiment komt.
4. Indien u van plan bent om de radio gedurende een relatief lange periode niet te gebruiken is het aangeraden om de batterijen uit de radio te halen.

De status van de batterijen (bij benadering) wordt op de LCD-display van de radio aangegeven middels een batterij-icoon. Wanneer de capaciteit erg laag is, verschijnt de mededeling "Battery low!" ("Batterij zwak") en het batterijsymbool op de display knippert. Dan moeten de batterijen op korte termijn worden vervangen of opgeladen om een normaal gebruik van de radio te kunnen voortzetten.

Wanneer er NiMH batterijen worden opgeladen zal het batterij-icoon op de LCD display een oplaadanimatie vertonen. Het opladen en deze animatie zullen vanzelf stoppen wanneer de batterijen vol zijn.

## De zekering van de batterijenlader vervangen

De batterijenlader heeft een zekering omwille van veiligheidsredenen, deze beschermt de radio tegen overspanning of piekspanning tijdens het laadproces. De zekering zal doorbranden als er iets mis is met de lader of de batterijen (bijvoorbeeld als de batterijen zijn beschadigd). In dat geval weigert de lader om de batterijen op te laden of de radio werkt niet meer met batterijen. U dient dit dan na te kijken en eventueel de batterijen en/of de zekering te vervangen.

1. Schakel de radio uit en haal de stekker uit het stopcontact.
2. Open het batterijen-compartiment.
3. Controleer de batterijen zorgvuldig en zorg ervoor dat ze allemaal zijn geïnstalleerd met de juiste polariteit (+ en -) en vervang de batterijen indien er schade is. Raadpleeg de sectie van " BELANGRIJKE INFORMATIE VOOR HET OPLADEN EN GEBRUIKEN VAN OPLAADBARE BATTERIEN" voor gedetailleerde informatie.
4. Zoek de zekeringhouder in het batterijcompartiment. Het deksel van de zekeringhouder is herkenbaar aan het woord "FUSE".
5. Om de zekering te verwijderen, gebruikt u een schroevendraaier en draait de schroevendraaier voorzichtig linksom terwijl u het deksel iets indrukt. Gebruik niet te veel kracht bij het draaien aan het zekerings-deksel want dit kan schade veroorzaken.
6. Vervang de gesprongen zekering door een identiek, nieuw exemplaar. Het type zekering is aangegeven naast de zekeringhouder (T2.5AL 250V). Gebruik geen zekering van een ander type.
7. Plaats het zekerings-deksel terug met een schroevendraaier. Draai de schroevendraaier voorzichtig rechtsom terwijl u de deksel iets indrukt. Gebruik niet te veel kracht bij het draaien aan het zekerings-deksel want dit kan schade veroorzaken.

### Opmerking:

- Als de nieuwe zekering weer doorbrandt zodra de radio weer wordt aangesloten op netstroom of wanneer u de radio gebruikt, dan duidt dit op een probleem met de radio of de batterijen. Gelieve dit te laten controleren bij een dealer of het Perfectpro servicecenter.
- De zekering beschermt ook Alkaline batterijen tegen overspanning.

### Waarschuwing:

Er is explosiegevaar als de batterijen verkeerd worden vervangen. Alleen vervangen door hetzelfde of een gelijkwaardig type.

Controleer altijd of de Batterijen-type schakelaar op de juiste positie is ingesteld.

Een Alkaline batterij is niet oplaadbaar. Probeer nooit Alkaline batterijen op te laden.

Nooit verschillende types batterijen mengen.

Nooit geladen en ongeladen batterijen mengen.

Stel de batterijen niet bloot aan overmatige hitte, zoals zonlicht, vuur of dergelijke.

Batterijen dienen niet weggegooid te worden met het huishoudelijk afval of verbrand te worden. Oude, versleten batterijen moeten worden ingeleverd bij een recycleercentrum.



## **BELANGRIJKE INFORMATIE VOOR HET OPLADEN EN GEBRUIKEN VAN OPLAADBARE BATTERIJEN**

1. **Laad de batterijen ten minste iedere 2 maanden op.**
2. Zorg ervoor dat de **Batterijen-type schakelaar** zeker in de **“CHARGE / NiMH ON”** positie staat.
3. **Plaats de batterijen in het compartiment volgens de correcte polariteit (+ en -).**
4. **Eerste gebruik: Laad de nieuwe batterijen in één, niet onderbroken, laadbeurt tot ze vol zijn.** Deze eerste laadbeurt zal langer duren dan een normale laadbeurt. Voor een langere levensduur van de batterijen is het daarna het beste om de batterijen altijd in één, niet onderbroken laadbeurt te laden tot ze volledig vol zijn en niet steeds te laden wanneer ze nog voldoende vol zijn.
5. De nieuwe batterijen zullen hun volle capaciteit pas bereiken na een aantal gebruikscycli (ontladen-laden).
6. Laat de hele groep batterijen, bij regelmatig gebruik, in de radio zitten en gebruik deze niet voor andere doeleinden. Ook nooit een paar batterijen eruit halen en voor iets anders gebruiken. Zo ontstaat een mix van (volledig) geladen en (gedeeltelijk) ontladen batterijen.
7. Laad de batterijen bij een omgevingstemperatuur tussen de 5 graden C en 35 graden C. Bij een hogere of lagere temperatuur kunnen de batterijen niet volledig geladen worden.
8. Door de hoge capaciteit van de meegeleverde batterijen kan het laden van “leeg” tot “vol” ongeveer 10 uur duren.
9. Laad geen batterijen op als de radio warm is of is blootgesteld aan hitte of warmtebronnen.
10. Geadviseerd wordt de metalen contactpunten van de batterijen en van de lader in de radio van tijd tot tijd te reinigen met een contactspray speciaal voor electronica.
11. Nooit oude en nieuwe oplaadbare batterijen door elkaar gebruiken.
12. Nooit oplaadbare en niet-oplaadbare batterijen door elkaar gebruiken.
13. Nooit lege en volgeladen oplaadbare batterijen door elkaar gebruiken.
14. Nooit batterijen door elkaar gebruiken met een verschillende capaciteit (mAh).
15. Nooit beschadigde, misvormde of lekkende batterijen gebruiken.
16. De batterij status indicatie (batterij-icoon in display) is een indicatie bij benadering en deze kan verschillen afhankelijk van het gebruikte type batterijen.
17. De batterijen kunnen warm worden tijdens het opladen.
18. In koude omstandigheden zal de capaciteit van batterijen lager zijn dan bij normale kamertemperatuur.
19. Batterijen vallen, als zijnde verbruiksgoederen, niet onder de garantiebepalingen zoals deze gelden voor de radio.
20. Het wordt aangeraden om Perfectpro oplaadbare batterijen te gebruiken, omdat de radio en de interne oplader ontwikkeld zijn voor deze batterijen.
21. Voor het plaatsen van de batterijen altijd eerst de stekker uit het stopcontact halen.

## EERSTE GEBRUIK VAN DE RADIO

1. Plaats de radio op een vlakke ondergrond.
2. Zet de antenna, die zich bovenop de radio bevindt, rechtop.
3. Na de eerste keer aansluiten op een stroombron zal de radio vanzelf opstarten en in de display “WELCOME” aangeven en automatisch het DAB- en FM-frequentiebereik scannen. De display geeft aan “ATS setting” aan.
4. De 10 sterkste zenders worden dan in het voorkeuze-geheugen gezet. Na deze eerste scan zal de radio zichzelf uitschakelen en de display geeft de geupdate tijd/datum aan.
5. Als er geen radiosignaal gevonden werd dan wordt de tijd/datum niet geupdate. Verplaats de radio naar een andere positie met betere radio-ontvangst.

## DAB MODUS / BEDIENING VAN DE RADIO

1. Zet de antenne rechtop. Druk op de **Aan/uit toets** om de radio in te schakelen.
2. De eerste zender (in numerieke-alpha volgorde 0...9,A...Z) in de zenderlijst zal afspelen. De display toont de naam van de zender. Als de radio eerder is gebruikt zal de laatst geselecteerde zender afspelen.
3. Als geen zendersignaal wordt gevonden wordt “No stations available” (“Geen zenders beschikbaar”) weergegeven. Het kan dan nodig zijn om de radio te verplaatsen naar een andere positie met een betere radio-ontvangst. U kunt dan een Auto Scan uitvoeren om zenders te zoeken. Zie verderop “Nieuwe zenders zoeken – DAB”.

### Een zender kiezen – DAB

1. Druk op de **Aan/uit toets** om de radio in te schakelen. De display geeft aan “Now tuning” gedurende enkele seconden.
2. De display geeft de naam van de zender aan die speelt aan.
3. Draai de **Frequentie draaiknop** om door de lijst van beschikbare zenders te lopen.
4. Als de naam van de gewenste zender verschijnt druk dan op de **Frequentie draaiknop** om de zender te selecteren. De display geeft aan “Now tuning” terwijl de radio de zender oproept.

**Note:** Als na het selecteren de display aangeeft “No stations available” dan kan het nodig zijn de radio te verplaatsen naar een andere positie om ontvangst te krijgen.

## Display modus – DAB

In de DAB modus kan de radio diverse informatie aangeven.

1. Druk op de Info toets om de diverse informatie te doorlopen.
  - a. Lopende tekst Geeft mededelingen van de beluisterde zender als doorlopende tekst aan.
  - b. Programma type Geeft het type programma aan die u hoort, bijv. pop, klassiek, nieuws, enz.
  - c. Signaal sterkte Geeft het ontvangen niveau van de signaalsterkte van de zender aan. Het open blokje geeft het minimum signaalniveau aan nodig voor een goede ontvangst.
  - d. Multiplex naam Geeft de naam van de multiplex aan waartoe de zender behoort.
  - e. Kanaal & frequentie Geeft het nummer en de frequentie aan van de zender.
  - f. Bit rate & audio type Geeft de audio bit rate van de uitzending weer.
  - g. Tijd en datum Geeft de actuele tijd en de datum aan.

## Nieuwe stations zoeken – DAB

Van tijd tot tijd kunnen er nieuwe zenders beschikbaar zijn. Om deze te vinden:

1. Druk op de **Menu toets**, de display geeft aan “Full scan”.
2. Druk op de **Frequentie draaiknop**, de radio scant de frequenties van de DAB Band III. Als er nieuwe zenders gevonden worden dan worden deze toegevoegd aan de zenderlijst.

NL

## Handmatig zenders zoeken – DAB

Handmatig afstemmen geeft u de mogelijkheid om direct zenders te kiezen in de DAB Band III.

1. Druk op de **Menu toets**, de display geeft aan “Full scan”.
2. Draai de **Frequentie draaiknop** tot de display “Manual tuning” aangeeft. Druk op de **Frequentie draaiknop**.
3. Draai de **Frequentie draaiknop** om de gewenste DAB frequentie te zoeken. Druk op de **Frequentie draaiknop** om deze gewenste frequentie te selecteren.
4. De signaalsterkte display geeft het ontvangen niveau van de zender aan. Het open blokje geeft het minimum signaalniveau aan nodig voor een goede ontvangst. De signaalsterkte aanduiding verandert als u de positie van de antenne verandert.
5. Als een DAB signal gevonden is toont de display de naam van het station.
6. Druk op de **Frequentie draaiknop** om terug te keren naar het standaard DAB menu.

## **Dynamic Range Control (DRC) instellingen – DAB**

DRC kan zachtere geluiden beter hoorbaar maken als de radio in een lawaaierige omgeving gebruikt wordt.

1. Druk op de **Menu toets**, de display geeft aan “Full scan”.
2. Draai de **Frequentie draaiknop** tot de display “DRC value” aangeeft. Druk op de **Frequentie draaiknop**.
3. Draai de **Frequentie draaiknop** tot de gewenste DRC instelling (standaard is Off).
  - i. DRC Off      DRC uitgeschakelt.
  - ii. DRC 1/2     DRC niveau op ½ van het uitgezonden niveau.
  - iii. DRC 1      DRC volledig weergegeven als uitgezonden.
4. Druk op de **Frequentie draaiknop** om te bevestigen en terug te keren naar het standaard DAB menu.

**Opmerking:** Niet alle DAB zender gebruiken de DRC functie. Als de zender geen DRC informatie meezendt hebben de DRC instellingen van de radio geen effect.

## **Zenders snoeien “Prune” – DAB**

Als u zich verplaatst naar een ander gebied of land kunnen bepaalde zenders niet meer beschikbaar zijn. Ook kunnen bepaalde zenders stoppen met uitzenden of van frequentie veranderen. De “Prune” (“Snoei”) functie verwijdert dan de niet beschikbare zenders uit uw zenderlijst.

1. Druk op de **Menu toets**, de display geeft aan “Full scan”.
2. Draai de **Frequentie draaiknop** tot de display “Prune” aangeeft. Druk op de **Frequentie draaiknop**.
3. Draai de **Frequentie draaiknop** om te kiezen tussen “Yes” (“Ja”) of “No” (“Nee”) (Standaard is Nee).
4. Druk op de **Frequentie draaiknop** om te bevestigen en terug te keren naar het standaard DAB menu.

**Opmerking:** Als u zich verplaatst naar een ander gebied of land kunt u best ook nieuwe zenders zoeken. Zie hiervoor “Nieuwe zenders zoeken”.

## FM MODUS / BEDIENING VAN DE RADIO

### Automatische zenderzoek functie

1. Druk op de **Aan/uit toets** om de radio in te schakelen.
2. Kies de FM modus door het drukken op de **Audiobron keuzetoets**.
3. Bij het eerste gebruik zal de zender in voorkeuze-geheugen 1 afgespeeld worden. Als de radio eerder gebruikt werd dan speelt de laatst beluisterde zender af.
4. Druk op de **Frequentie draaiknop** om de zoekfunctie te starten.
5. De radio zoekt en stopt onmiddellijk, wanneer hij een zender met voldoende signaalsterkte vindt.
6. Om een andere zender te zoeken drukt u opnieuw op de **Frequentie draaiknop**.
7. Om zenders in tegenovergestelde richting te zoeken draait u de **Frequentie draaiknop** met de wijzers van de klok mee (voor het zoeken van lage naar hoge frequentie) of tegen de wijzers van de klok in (voor het zoeken van hoge naar lage frequentie) en drukt dan op de **Frequentie draaiknop**.
8. Wanneer het einde van het frequentiebereik is bereikt, begint de radio opnieuw te zoeken vanaf het tegenovergestelde einde van het frequentiebereik.

### Manuele afstemming

1. Druk op de **Aan/uit toets** om de radio in te schakelen.
2. Kies de FM modus door het drukken op de **Audiobron keuzetoets**.
3. Bij het eerste gebruik zal de zender in voorkeuze-geheugen 1 afgespeeld worden. Als de radio eerder gebruikt werd dan speelt de laatst beluisterde zender af.
4. Draai de **Frequentie draaiknop** voor het instellen van de gewenste FM zender. De radiofrequentie gaat in stappen van 50 kHz.
5. Draai de **Volumeregelaar** tot het gewenste volumeniveau is bereikt.
6. Draai eventueel de antenne tot u de beste ontvangst bereikt.
7. Wanneer het einde van het frequentiebereik is bereikt, begint de radio opnieuw te zoeken vanaf het tegenovergestelde einde van het frequentiebereik.

### RDS zender-service

RDS (Radio Data System) is een informatiesysteem dat behalve het normale FM-radioprogramma onhoorbare digitale informatie meezendt. Wanneer de radio een RDS-zender ontvangt en de ontvangst voldoende sterk is, verschijnt de naam van de zender in de LCD display. Het kan even duren tot deze RDS informatie beschikbaar is.

## Oproepen van de RDS-informatie

Wanneer u naar een FM-zender met RDS-systeem luistert, drukt u meermaals op de **Info toets** om door de RDS-informatie te lopen. Dit functioneert alleen wanneer het niveau van de ontvangst voldoende sterk en helder is.

- |                                 |   |
|---------------------------------|---|
| a. Programmashow (PS)           | Geeft de naam van de zender aan die u hoort.                                      |
| b. Programma-type (PTY)         | Geeft het type zender aan die u hoort, bijv. pop, klassiek, nieuwsberichten, enz. |
| c. Radiotekst (RT)              | Geeft mededelingen van de beluisterde zender als doorlopende tekst aan.           |
| d. Niveau signaalsterkte (SGLV) | Geeft het ontvangen niveau van de signaalsterkte van de zender aan.               |
| e. Datum en tijd                | Geeft de actuele tijd en de datum aan.  |

## Scan gevoeligheid instelling – FM

De radio scant normaal alle FM zenders inclusief diegene met een zwakker signaal. U kunt de scan functie echter ook instellen dat deze alleen de zenders met een sterk signaal voor een goede ontvangst oppikt.

1. Druk op de **Aan/uit toets** om de radio in te schakelen.
2. Kies de FM modus door het drukken op de **Audiobron keuzetoets**.
3. Druk op de **Menu toets**. De display geeft aan "Scan setting".
4. Druk op de Frequentie draaiknop.
5. Draai de **Frequentie draaiknop** om te selecteren tussen "All stations" ("Alle zenders") of "Strong stations" ("Sterke zenders") Standard instelling is "All stations". De "Strong stations" optie zorgt ervoor dat de radio alleen de sterke zenders oppakt bij het scannen.
6. Druk op de **Frequentie draaiknop** om te instelling te bevestigen.

## Instellen van zenders in het voorkeuze-geheugen

Deze radio beschikt over 20 voorkeuze-geheugenplaatsen 10 voor FM en 10 voor DAB. Het voorkeuze-geheugen wordt opgeslagen in de radio ook als de stroombron onderbroken wordt.

1. Druk op de **Aan/uit toets** om de radio in te schakelen.
2. Kies de FM stand door het drukken op de **Audiobron keuzetoets**.
3. Stel de gewenste zender in.
4. Houd de gewenste **Voorkeuze toets** ingedrukt tot de radio piept en bijv. "Preset 1 saved" ("Voorkeuze 1 opgeslagen") aangeeft.
5. Herhaal stap 3 en 4 voor de overige voorinstellingen.
6. In de voorkeuze-geheugens vooraf ingestelde zenders kunnen op de bovenstaande wijze weer worden overgeschreven.

## Oproepen van zenders uit het voorkeuze-geheugen

1. Druk op de **Aan/uit toets** om de radio in te schakelen.
2. Kies de FM stand door het drukken op de **Audiobron keuzetoets**.
3. Druk kort op de gewenste **Voorkeuze toets** en het display toont het voorkeuze-nummer en de zenderfrequentie

## BLUETOOTH MODUS

### Bluetooth koppelen met uw mobiele telefoon

1. Druk op de **Aan/Uit toets** om de radio in te schakelen.
2. Kies de Bluetooth modus door het drukken op **Audiobron keuzetoets** (Source).
3. Op de display wordt "Not connected" ("Niet verbonden") weergegeven wanneer uw radio nog niet is gekoppeld met een mobiele telefoon.
4. Open op uw mobiele telefoon het Bluetooth menu, zoek en selecteer "**RockBox 3**" in de lijst van gevonden Bluetooth apparaten (Bluetooth instellingen kunnen per merk en type mobiele telefoon variëren, lees hiervoor de handleiding van uw mobiele telefoon).
5. Als er een succesvolle verbinding tot stand is gebracht, toont het display "Connected" op de eerste regel.

### Muziek afspelen vanaf uw mobiele telefoon

1. Druk op de **Aan/Uit toets** om de radio in te schakelen.
2. Kies de Bluetooth modus door het drukken op **Audiobron keuzetoets** (Source).
3. Speel de gewenste muziek af vanaf de media spelers van uw gekoppelde mobiele telefoon.
4. Het afspelen van uw muziek kunt u besturen met de **▶||**, **▶▶|** en **|◀◀** toetsen (voorkeuze toetsen 3, 4 en 5) op de radio.

## Device list (Apparaten lijst) – Afspelen vanaf een apparaat waarmee eerder is gekoppeld

Op de radio kunt u in de apparatenlijst een apparaat selecteren om opnieuw mee te verbinden.

De namen van de gekoppelde apparaten worden weergegeven wanneer deze op het apparaat zijn ingesteld. Raadpleeg hiervoor de handleiding van uw mobiele.

U raadpleegt de apparaten lijst als volgt:

1. Druk in de Bluetooth modus op **Menu toets** om in de instellingen te komen.
2. Draai aan **Frequentie draaiknop** tot de display “Device list” weergeeft. Druk op **Frequentie draaiknop** om te selecteren.
3. Draai aan **Frequentie draaiknop** om door de lijst met namen te gaan.
4. Druk op **Frequentie draaiknop** om opnieuw te verbinden met het geselecteerde apparaat. De radio verbindt automatisch met het gekozen apparaat.

**Opmerking:** Dit apparaat kan tot 8 apparaten onthouden waarmee eerder is gekoppeld. Als er met meer dan 8 apparaten is gekoppeld, dan zal het apparaat waarmee het langst niet is gekoppeld worden gewist uit het geheugen.

**Opmerking:** Wanneer u “**RockBox 3**” uit uw lijst van gekoppelde apparaten op uw mobiele telefoon heeft verwijderd, zult u niet automatisch opnieuw kunnen verbinden.

## Bluetooth koppelen opnieuw starten

De Bluetooth functie kan op verschillende manieren ingesteld worden:

1. In Bluetooth modus, druk op **Menu toets** om naar de instellingen te gaan.
2. Draai aan **Frequentie draaiknop** om “Disconnect BT” te kiezen, en druk op **Frequentie draaiknop** om te bevestigen.
3. De display geeft “Not connected” weer wanneer de radio gereed is voor het maken van een nieuwe Bluetooth verbinding.

**Opmerking:** “Disconnect BT” is de optie om de Bluetooth verbinding met uw mobiele telefoon direct te verbreken. De radio zoekt nu naar een nieuw apparaat om verbinding mee te maken. Indien er geen nieuwe verbinding tot stand wordt gebracht zal de radio automatisch proberen te verbinden met het laatste apparaat, wanneer de radio uit en terug aan wordt geschakeld.

De Auto-Power management-functie wordt geactiveerd in Bluetooth modus. Als er gedurende een periode van meer dan 15 minuten, geen signaal\* binnenkomt, dan zal de radio automatisch overschakelen naar stand-by modus. Als u op On/Off drukt zal de radio terug aan gaan.



## AUX IN MODUS

Aan de zijkant achter de rubberen afdekking bevindt zich een 3,5 mm stereo **Aux In ingang** voor het aansluiten van een extern audio-apparaat zoals bijv. een MP3-speler of een CD-speler (niet meegeleverd bij de radio).

1. Verbind een audiobron met de **Aux in ingang**.
2. Druk op de **Audiobron keuzetoets** om AUX IN te kiezen. Het display geeft "AUX IN" aan.
3. Speel de externe speler af.
4. Stel het volume van zowel de radio als de speler in op het gewenste luisterniveau.
5. Zorg ervoor dat de rubberen afdekking na het gebruik weer goed wordt gesloten, zodat er geen vocht of vuil in de radio kan binnendringen.

**Opmerking:** Gebruik de AUX-IN ingang nooit in de regen of in een vochtige omgeving om te voorkomen dat er vocht binnendringt in de radio! Hou de rubberen afdekking altijd gesloten in deze omstandigheden.

De automatische stroomcontrole functie wordt geactiveerd in de Aux-in modus. Als er gedurende 15 minuten geen signaal ontvangen wordt door de Aux-in ingang dan schakelt de radio vanzelf naar de Standby-stand (Off). De display gaat ook uit. Het apparaat kan weer aangezet worden door op de Standby/Aan-Uit knop te drukken.

NL

## INSTELLEN VAN DE KLOK – DATUM

De klok kan alleen dan worden ingesteld, wanneer de radio is uitgeschakeld. Wanneer er 5 seconden lang geen toetsen worden ingedrukt, verlaat de radio de instellingsmodus van de klok en de instelling wordt gewist.

1. Houd de **Frequentie draaiknop** 12 seconden ingedrukt tot de cijfers voor de uren op het display knipperen.
2. Draai de **Frequentie draaiknop** om de uren in te stellen.
3. Druk de **Frequentie draaiknop** in en de cijfers van de minuten knipperen.
4. Draai de **Frequentie draaiknop** om de minuten in te stellen.
5. Druk de **Frequentie draaiknop** in ter bevestiging en op het display knippert de dag.
6. Draai de **Frequentie draaiknop** om de actuele dag in te stellen.
7. Druk de **Frequentie draaiknop** in ter bevestiging en de maand knippert.
8. Draai de **Frequentie draaiknop** om de lopende maand in te stellen.
9. Druk de **Frequentie draaiknop** in ter bevestiging en op het display knippert het jaar.
10. Draai de **Frequentie draaiknop** om het lopende jaar in te stellen.
11. Druk de **Frequentie draaiknop** in ter bevestiging en "SYNCLOCK ON" (SYNCLOCK AAN) knippert.
12. Draai de **Frequentie draaiknop** voor de keuze van "SYNCLOCK ON" (SYNCLOCK AAN) of "SYNCLOCK OFF" (SYNCLOCK UIT).
13. Druk de **Frequentie draaiknop** in ter bevestiging en beëindiging van de instelling.

### **RDS tijdsynchronisatie**

Wanneer "SYNCLOCK ON" (SYNCLOCK AAN) wordt gekozen, verschijnt het symbool "🕒" in het display. Sommige RDS zenders zenden een tijdsignaal.

Wanneer de ontvangst hiervan goed is en u bij de instelling van de tijd de optie "SYNCLOCK ON" (SYNCLOCK AAN) hebt gekozen, wordt de tijd automatisch aangepast ("🕒" knippert in het display). De synchronisatie van de tijd kan enkele minuten duren. De automatische instelling van de klok wordt steeds geactiveerd, wanneer de radio aan is en naar FM modus wordt geschakeld en een RDS zender ontvangt.

## **LOUDNESS**

Druk op de **Loudness toets** voor compensatie op de lagere en hogere geluidsfrequenties. Het effect zal het best hoorbaar zijn als de radio is ingesteld op een laag volumeniveau (Dynamic Loudness). De LCD display zal kort "Loudness On" of "Loudness Off" tonen als de **Loudness toets** wordt ingedrukt.

### **Scan gevoeligheid instelling – FM**

De radio scant normaal alle FM zenders inclusief diegene met een zwakker signaal. U kunt de scan functie echter ook instellen dat deze alleen de zenders met een sterk signaal voor een goede ontvangst oppikt.

1. Druk op de **Aan/uit toets** om de radio in te schakelen.
2. Kies de FM modus door het drukken op de **Audiobron keuzetoets**.
3. Druk op de **Menu toets**. De display geeft aan "Scan setting".
4. Druk op de **Frequentie draaiknop**.
5. Draai de **Frequentie draaiknop** om te selecteren tussen "All stations" ("Alle zenders") of "Strong stations" ("Sterke zenders") Standard instelling is "All stations". De "Strong stations" optie zorgt ervoor dat de radio alleen de sterke zenders oppakt bij het scannen.
6. Druk op de **Frequentie draaiknop** om te instelling te bevestigen.

## **TAALINSTELLING**

De radio kan worden ingesteld op diverse talen

1. Druk op de **Aan/uit toets** om de radio in te schakelen.
2. Druk op de **Menu toets** and draai de **Frequentie draaiknop** tot de display "System" toont.
3. Druk op de **Frequentie draaiknop** en draai daarna de **Frequentie draaiknop** tot de display "Language" ("Taal") toont.
4. Druk op de **Frequentie draaiknop** om in het taalinstellingsmenu te gaan.

5. Draai de **Frequentie draaiknop** om de gewenste taal te selecteren. Standardinstelling is Engels.
6. Druk op de **Frequentie draaiknop** om de instelling te bevestigen.

## SOFTWARE VERSION

De weergave van de software kan niet worden aangepast en is alleen voor uw informatie. U kunt de software versie zien in het DAB en FM menu.

1. Druk op de **Aan/uit toets** om de radio in te schakelen.
2. Kies de FM of DAB modus door het drukken op de **Audiobron keuzetoets**.
3. Druk op de **Menu toets** and draai de **Frequentie draaiknop** tot de display "System" toont.
4. Druk op de **Frequentie draaiknop** en draai daarna de **Frequentie draaiknop** tot de display "SW version" toont.
5. Druk op de **Frequentie draaiknop** om de software versie te zien.
6. Druk op de **Frequentie draaiknop** om terug te keren naar de standard radio-menu.

**Opmerking:** De USB ingang in het batterijen compartiment is voor het eventuele upgraden van de software indien nodig.

## SYSTEEM RESET

Als de radio niet correct functioneert of b.v. de weergave in de display ontbreekt geheel of gedeeltelijk, voer dan de volgende procedure.

7. Druk op de **Aan/uit toets** om de radio in te schakelen.
8. Druk op de **Menu toets** and draai de **Frequentie draaiknop** tot de display "System" toont.
9. Druk op de **Frequentie draaiknop** en draai daarna de **Frequentie draaiknop** tot de display "Factory reset" toont.
10. Druk op de **Frequentie draaiknop** en draai daarna de **Frequentie draaiknop** om te selecteren tussen "Yes" ("Ja") en "No" ("Nee")
11. Druk op de **Frequentie draaiknop** om de instelling te bevestigen.
12. Een volledige reset wordt uitgevoerd. Het voorkeuze-geheugen wordt gewist en alle instellingen terug gezet naar de zogenaamde "Fabrieksinstellingen". De display zal "WELCOME" aangeven en automatisch het DAB- en FM-frequentiebereik scannen. De display geeft aan "ATS setting" aan.

**In geval van storing ten gevolge van electro-statische ontlading, reset de radio als hierboven beschreven. Als dat niet werkt verwijder de stroombron en sluit deze daarna weer aan.**

„In een omgeving met lijnstoring / radiosensitiviteit kan het monster storingen veroorzaken. Het zal automatisch weer normaliseren wanneer de lijnstoring / radiosensitiviteit is gestopt.“

## LCD-VERLICHTING

### LCD display verlichting instellen

1. Druk op de **Aan/Uit toets** om de radio in te schakelen.
2. Druk op de **Menu toets**, en draai daarna de **Frequentie draaiknop** tot "System" op de display verschijnt.
3. Druk op de **Frequentie draaiknop**; draai daarna de **Frequentie draaiknop** tot "LCD backlight" op de display verschijnt.
4. Druk op de **Frequentie draaiknop** om toegang te krijgen tot het LCD display verlichting menu.
5. Draai de **Frequentie draaiknop** om "on" te selecteren, deze instelling laat de LCD display verlichting altijd aan wanneer de radio is aangesloten op het stroomnet.
6. Of draai de **Frequentie draaiknop** om "off" te selecteren (standaard), met deze instelling blijft de LCD display verlichting 10 seconden aan nadat een knop is ingedrukt wanneer deze is aangesloten op het stroomnet.
7. Druk op de **Frequentie draaiknop** om de keuze te bevestigen.

Opmerking: De LCD display verlichting instelling „on” is alleen van toepassing wanneer de radio is aangesloten op het stroomnet. Wanneer de radio speelt op batterijen zal de instelling automatisch naar „off” gaan, waarbij de LCD display verlichting 10 seconden aan gaat nadat een knop is ingedrukt. Wanneer de radio weer wordt aangesloten op het stroomnet zal de laatst ingestelde instelling worden gebruikt.

## TOONREGELING

Met de **Toonregeling (Tone)** functie kunnen de lage tonen (Bass) en hoge tonen (Treble) aan uw persoonlijke voorkeur aangepast worden.

1. Druk op de **Aan/Uit toets** om de radio aan te zetten.
2. Druk op de **Volume draaiknop** gedurende 3 sec, de display toont "BASS 0".
3. Draai aan de **Volume draaiknop** om het gewenste Bass niveau in te stellen.
4. Druk op de **Volume draaiknop** om te bevestigen, de display toont "TREBLE 0".
5. Draai aan de **Volume draaiknop** om het gewenste Treble niveau in te stellen.
6. Druk op de **Volume draaiknop** om te bevestigen.

## GARANTIE

U heeft op dit product 2 jaar beperkte garantie.

**WAARSCHUWING ! De garantie vervalt zodra de behuizing van de radio is geopend of wanneer er veranderingen aan de radio zijn gemaakt !**

De garantievoorwaarden van deze radio bieden geen dekking voor het volgende:

- Schade veroorzaakt door verkeerd gebruik, misbruik, verwaarlozing, wijzigingen, ongelukken of niet-goedgekeurde reparaties.
- Normale slijtage.
- Het breken of buigen van de metalen telescopische antenne.

## TECHNISCHE GEGEVENS

<b>Stroombron</b>	Gebruik op netstroom	AC 230V, 50Hz, wisselstroom
	Gebruik op batterijen	6 x 1,5V (Alkaline maat IEC LR14 / UM-2 / C-size) of 6 x 1,2V (PerfectPro maat C / HR14 / 1,2V 4000mAh NiMH oplaadbare batterijen)
<b>Frequentiebereik</b>	DAB+/DAB band	174.928 – 239.200 MHz
	FM band	87.5 – 108 MHz
<b>Specificaties</b>	Luidspreker	1 x Ø4 inch
	Uitgangsvermogen	1 x 7.5W
	Aux in ingang	Ø3.5 mm
<b>Bluetooth</b>	Versie 4.1 Ondersteunt Bluetooth profielen A2DP, AVRCP 2402-2480MHz, Max power < 10dBm	

NL

### Opmerking over milieubescherming:



Dit product werd van kwalitatief hoogwaardige onderdelen en materialen vervaardigd die opnieuw gebruikt en gerecycled kunnen worden. Verwijder dit product daarom aan het eind van zijn leven niet met het normale huisvuil. Breng het naar een verzamelplaats voor het recycleren van elektronische en elektrische apparaten. Hierop wordt door dit symbool op het product, in de gebruikershandleiding en op de verpakking gewezen.

Informeer u over verzamelplaatsen bij de gemeentelijke instanties. Help door het recycleren van niet meer te gebruiken producten mee aan de bescherming van het milieu



# INHALT

WICHTIGE SICHERHEITSHINWEISE .....	2
BEDIENELEMENTE .....	3
STROMVERSORGUNG .....	5
Netzbetrieb (AC).....	5
Batteriebetrieb.....	5
INBETRIEBNAHME DES RADIOS.....	8
DAB-MODUS .....	8
Die Bedienung des Radio – DAB .....	8
Senderauswahl – DAB .....	8
Zusätzliche Dienste – DAB .....	9
Anzeigemodi – DAB .....	9
Suche neuer Sender – DAB .....	9
Manuelle Sendersuche – DAB .....	10
Dynamikbereichsteuerung (DRC) – DAB .....	10
Sender deaktivieren – DAB .....	11
UKW-MODUS .....	11
Die Bedienung des Radio - UKW-Sender suchen.....	11
Manuelle Sendersuche – UKW .....	12
RDS-Dienste .....	12
Suchempfindlichkeit – UKW .....	13
SENDERSPEICHER .....	13
Speichern von Sendern .....	13
Aufrufen gespeicherter Sender .....	13
BLUETOOTH-MODUS .....	14
Koppeln von Bluetooth mit Ihrem Mobiltelefon .....	14
Wiedergabe von Musik auf Ihrem Mobiltelefon .....	14
Geräteliste – Mit dem gekoppelten Gerät verbinden .....	14
Neustart der Bluetooth-Kopplung .....	15
AUX-MODUS .....	15
EINSTELLEN DER UHRZEIT .....	16
LOUDNESS .....	17
SPRACHEINSTELLUNGEN .....	17
SOFTWARE-VERSION .....	17
SYSTEMRESET .....	18
TON.....	19
HINTERGRUNDBELEUCHTUNG .....	19
GARANTIE .....	20
TECHNISCHE DATEN .....	20

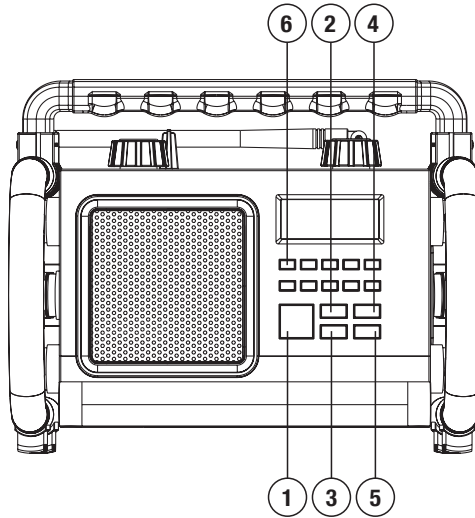
## WICHTIGE SICHERHEITSHINWEISE

1. Lesen Sie diese Hinweise.
2. Bewahren Sie diese Hinweise auf.
3. Beachten Sie alle Warnungen.
4. Befolgen Sie alle Anweisungen..
5. Reinigen Sie es nur mit einem trockenen Tuch.
6. Blockieren Sie keine der Belüftungsöffnungen. Stellen Sie es gemäß der Anweisungen auf.
7. Stellen Sie es nicht in der Nähe von Wärmequellen wie Heizkörpern, Lüftungsklappen, Öfen oder anderen Geräten (einschließlich Verstärkern) auf, die Wärme abgeben.
8. Beschädigen Sie nicht den aus Sicherheitsgründen gepolten oder geerdeten Stecker. Ein gepolter Stecker besitzt zwei Kontakte, einer breiter als der andere. Ein geerdeter Stecker besitzt zwei Kontakte und einen dritten Erdungsstift. Der breite Kontakt oder der dritte Stift dienen Ihrer Sicherheit. Wenn der mitgelieferte Stecker nicht in Ihre Steckdose paßt, so wenden Sie sich bitte zum Austausch der veralteten Steckdose an einen Elektriker.
9. Schützen Sie das Stromkabel, damit hierauf nicht gelaufen oder es insbesondere am Stecker, an der Steckdose oder an der Stelle, wo es aus dem Gerät austritt, nicht geknickt wird.
10. Verwenden Sie ausschließlich vom Hersteller angegebene Anbauteile/Zubehör.
11. Verwenden Sie es ausschließlich mit der/dem vom Hersteller angegebenen oder mit dem Gerät verkauften Wagen, Ständer, Dreibein, Klammer oder Tisch. Wenn ein Wagen verwendet wird, so lassen Sie Vorsicht walten beim Bewegen der Kombination aus Wagen und Gerät, um Verletzungen durch Kippen zu vermeiden.
12. Trennen Sie das Gerät bei Gewitter oder wenn es über einen längeren Zeitraum nicht verwendet wird vom Netz.
13. Überlassen Sie jegliche Wartung qualifiziertem Wartungspersonal. Eine Wartung ist erforderlich, wenn das Gerät am Stromkabel oder Stecker beschädigt wurde, wenn Flüssigkeit verschüttet wurde oder Gegenstände ins Gerät gefallen sind, wenn das Gerät Regen oder Feuchtigkeit ausgesetzt war, nicht normal funktioniert oder fallengelassen wurde.
14. Setzen Sie das Gerät weder Regen noch Feuchtigkeit aus, um die Brandgefahr oder das Risiko einen elektrischen Schlages zu reduzieren.
15. Entfernen Sie nicht die Abdeckung. Im Innenbereich befinden sich keine Teile, die durch den Nutzer zu warten wären.
16. Es dürfen keine offene Feuerquellen auf dem Apparat abgestellt werden.
17. Verwenden Sie bei der Benutzung im Freien an Regentagen oder bei feuchtem Wetter zur Vermeidung eines elektrischen Schlages ausschließlich Batterien. Wenn das Radio Regen oder Feuchtigkeit ausgesetzt war, so müssen Anschlusskabel und Stecker zur Vermeidung eines elektrischen Schlages Vollständig getrocknet werden, bevor dieses mit einer Steckdose verbunden wird.
18. Der Netzstecker sollte nahe am Gerät und leicht zugänglich sein, damit im Notfall zur Trennung vom Netz lediglich der Netzstecker aus der Steckdose gezogen werden muss.
19. Das Typenschild befindet sich an der Unterseite des Gerätes.
20. Dieses Apparat ist gegen Spritzwasser geschützt (IP65).
21. Falls das Gerät aufgrund elektrostatischer Entladung oder schneller Stoßspannung nicht mehr richtig funktioniert, ziehen Sie den Netzstecker und schließen das Gerät dann erneut an.
22. Verwenden Sie das Gerät nur in moderaten Klimazonen.
23. Um mögliche Gehörschäden zu vermeiden, setzen Sie sich nicht über längere Zeiträume hohen.



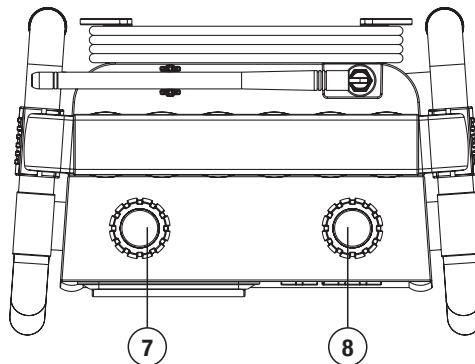
VORSICHT  
STROMSCHLAGGEFAHR  
NICHT ÖFFNEN

## Vorderansicht



1. Ein/Aus (Bereitschaft)
2. Eingangssignal
3. Menü
4. Loudness
5. Info
6. Sendertasten 1 - 10

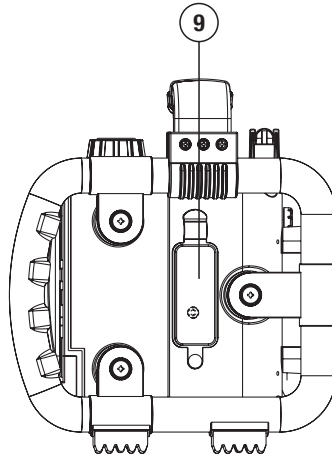
## Oberseitenansicht



7. Lautstärkeregler / Ton
8. Frequenz / Sendersuche / Uhrzeiteinstellung

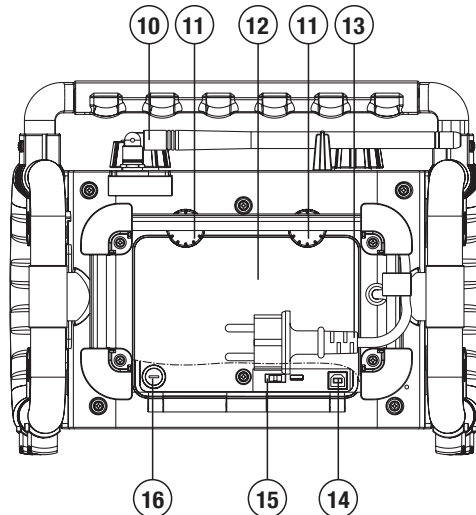


## Seitenansicht



9. Aux-Eingang

## Rückseitenansicht



- 10. Gummiantenne
- 11. Batteriefachhalter
- 12. Batteriefach für Batterien
- 13. Netzkabel
- 14. USB-Buchse (Nur für Software-Upgrade)
- 15. Batterieladeschalter
- 16. Sicherung Ladegerät

# STROMVERSORGUNG

## Netzbetrieb (AC)

- Überprüfen Sie vor dem Anschluss des Netzkabels, dass die Spannung geeignet ist und dass der **Batterieladeschalter** auf der richtigen Position steht: **ALKALINE OFF** für den Netzbetrieb oder den Betrieb mit Alkalibatterien / **NiMH ON** für den Gebrauch von wiederaufladbaren NiMH-Batterien.
- Falls Sie Alkalibatterien verwenden und der **Batterieladeschalter** auf der Position **ALKALINE OFF** steht, wird der Batteriebetrieb automatisch unterbrochen, sobald Sie das Gerät per Netzstrom betreiben.
- Falls Sie wiederaufladbare NiMH-Batterien verwenden und der **Batterieladeschalter** auf der Position **NiMH ON** steht, wird der Batteriebetrieb automatisch unterbrochen, sobald Sie das Gerät per Netzbetrieb betreiben.

### Hinweis:

Um das Gerät vollständig von der Netzstromversorgung zu trennen, muss der Netzstecker ganz aus der Steckdose gezogen werden. Der Netzstecker muss immer betriebsbereit sein und darf während des bestimmungsgemäßen Gebrauchs nicht blockiert werden.

Falls das Gerät aufgrund elektrostatischer Entladung oder schneller Stoßspannung nicht mehr ordnungsgemäß funktioniert, trennen Sie das Gerät vom Netz und entnehmen Sie alle Batterien. Legen Sie dann die Batterien erneut ein und schließen Sie das Gerät wieder ans Netz an.

## Batteriebetrieb

1. Öffnen Sie das Batteriefach, indem Sie die Verriegelungen der Abdeckung zum Lösen links herum drehen und anschließend die Abdeckung nach unten ziehen.
2. Das Gerät kann mit Alkalibatterien (6 x 1,5V Typ IEC LR14 / UM-2 / Größe C) oder mit aufladbaren NiMH-Batterien (6 x 1,2V wiederaufladbarer PerfectPro Akku, Größe C Typ HR14 / 4000mAh) betrieben werden. Setzen Sie den **Batterieladeschalter** im Batteriefach gemäß der eingelegten Batterien auf die entsprechende Position (**ALKALINE OFF** oder **NiMH ON**).
3. Legen Sie die Batterien gemäß der Polaritätsmarkierungen im Inneren des Batteriefachs (+ und -) ein. Schließen Sie das Batteriefach und drehen Sie die Verriegelungen rechts herum fest. Schließen Sie die Abdeckung gut, damit weder Staub noch Feuchtigkeit eindringen können.
4. Falls Sie das Gerät über einen längeren Zeitraum nicht verwenden werden, sollten Sie die Batterien aus dem Radio nehmen.

Im LCD-Display des Radios wird der ungefähre Batteriestatus angezeigt. Falls der Batteriestatus sehr niedrig ist, erscheint im Display die Anzeige „Battery Low!“ und das Batteriesymbol blinkt. In solch einem Fall laden oder ersetzen Sie die Batterien möglichst bald, um den normalen Betrieb des Radios fortzusetzen.

Während der Aufladung der NiMH-Batterien bewegt sich das Batteriesymbol im Display. Diese Animation und der Ladevorgang werden beendet, sobald die Batterien vollständig geladen sind.

## Sicherung des Batterieladegeräts austauschen

Das Batterieladegerät verfügt über eine Sicherung, die das Radio während des Ladevorgangs vor Überstrom oder extremer Überspannung schützt. Die Sicherung brennt durch, falls ein Problem am Ladegerät oder der Batterie auftritt (z.B. wenn die Batterie beschädigt wurde). Falls das Ladegerät die Batterien nicht auflädt oder falls sich das Radio nicht mehr mit Batterien betreiben lässt, überprüfen und ersetzen Sie die Batterien und/oder die Sicherung

1. Schalten Sie das Radio aus und trennen Sie das Netzkabel vom Netz.
2. Öffnen Sie das Batteriefach, indem Sie die Verriegelungen der Abdeckung zum Lösen links herum drehen und anschließend die Abdeckung nach unten ziehen.
3. Überprüfen Sie die Batterien sorgfältig auf die richtige Polarität (+ und -) und ersetzen Sie die Batterien, falls diese beschädigt sind. Weitere Details und Hinweise finden Sie im Abschnitt „WICHTIGE INFORMATIONEN ZUM AUFLADEN UND GEBRAUCH VON WIEDERAUFLADBAREN BATTERIEN“.
4. Suchen Sie im Batteriefach die Halterung der Sicherung. Auf der Abdeckung der Halterung steht das Wort „FUSE“.
5. Entfernen Sie die Abdeckung der Sicherung, indem Sie mit einem Schlitzschraubendreher auf die Abdeckung drücken und diese dabei links herum drehen. Die Abdeckung lässt sich nur drehen, wenn Sie darauf drücken. Üben Sie jedoch nicht zu viel Druck aus, um die Sicherung nicht zu beschädigen.
6. Ersetzen Sie die durchgebrannte Sicherung durch eine neue. Die Leistungsangaben sind neben der Halterung der Sicherung aufgedruckt (T2.5AL 250V). Verwenden Sie nur eine Sicherung desselben Typs.
7. Befestigen Sie die Abdeckung wieder mit dem Schlitzschraubendreher. Drehen Sie den Schraubenzieher vorsichtig rechts herum, während Sie auf die Abdeckung drücken.

Hinweis:

- Sollte die Sicherung unmittelbar wieder durchbrennen, wenn Sie das Gerät ans Netz anschließen oder einschalten, dann weist dies auf ein Problem am Radio oder den Batterien hin. Lassen Sie beides von Ihrem Einzelhändler oder einer Fachkraft überprüfen.
- Die Sicherung schützt auch Alkalibatterien vor Überstrom.

### Warnung:

Werden Batterien falsch eingelegt, besteht Explosionsgefahr. Ersetzen Sie Batterien nur durch solche des gleichen Typs.

Sorgen Sie dafür, dass der Batterieladeschalter immer auf der richtigen Position steht. Alkalibatterien sind nicht wiederaufladbar. Versuchen Sie niemals, Alkalibatterien aufzuladen.

Mischen Sie nicht unterschiedliche Batterietypen.

Verwenden Sie volle Batterien nicht zusammen mit leeren Batterien.

Schützen Sie Batterien vor übermäßiger Hitze wie Sonneneinstrahlung, Feuer oder ähnlichem.

Batterien dürfen nicht verbrannt oder über den normalen Haushaltsmüll entsorgt werden. Entsorgen Sie Batterien, sofern möglich, an entsprechenden Recyclingstellen.

## WICHTIGE INFORMATIONEN ZUM AUFLADEN UND GEBRAUCH VON WIEDERAUFLADBAREN BATTERIEN

1. **Laden Sie Batterien mindestens alle 2 Monate auf.**
2. Der Batterieladeschalter neben dem Batteriefach muss auf der Position „CHARGE / NiMH ON“ stehen.
3. **Legen Sie die Batterien unter Berücksichtigung der richtigen Polarität ein (+ und -).**
4. **Erstmaliger Gebrauch: Laden Sie die Batterien mit einem kontinuierlichen, ununterbrochenen Ladevorgang, bis sie voll sind.** Das erstmalige Aufladen kann länger als normale Ladezyklen dauern. Im Hinblick auf eine lange Lebensdauer der Batterien sollten Sie Batterien immer mit einem kontinuierlichen und ununterbrochenen Ladevorgang aufladen, bis sie voll sind und nicht erneut aufladen, solange die Batterien noch voll sind.
5. Neue Batterien erreichen ihre vollständige Kapazität erst nach einiger Zeit (mehrere Lade- und Entladezyklen).
6. Belassen Sie alle Batterien im Radio und entnehmen Sie diese oder einige davon nicht für andere Zwecke. Anderenfalls werden volle und (halb) leere Batterien miteinander vermischt, wodurch die Batterien oder das Radio ernsthaft beschädigt werden könnten.
7. Sie sollten Batterien nur bei Raumtemperatur zwischen 5 Grad und 35 Grad Celsius aufladen. Bei niedrigeren oder höheren Temperaturen kann keine vollständige Ladung erreicht werden.
8. Je nach Kapazität der Batterien kann ein vollständiger Ladevorgang (von „leer“ bis „voll“) einige Stunden dauern, sogar bis zu 10 Stunden oder länger.
9. Laden Sie Batterien nicht auf, wenn das Radio heiß ist oder Wärme bzw. Wärmequellen ausgesetzt ist.
10. Reinigen Sie die Metallkontakte der Batterien und des Ladegeräts im Inneren des Radios von Zeit zu Zeit, z.B. mit einem Kontaktspray.
11. Mischen Sie nicht alte und neue Batterien.
12. Verwenden Sie normale und wiederaufladbare Batterien nicht gemeinsam.
13. Verwenden Sie volle wiederaufladbare Batterien nicht zusammen mit leeren.
14. Verwenden Sie nicht Batterien unterschiedlicher mAh-Kapazität.
15. Verwenden Sie keine beschädigten, verformten oder auslaufenden Batterien.
16. Die Batteriestatusanzeige entspricht einer Schätzung und kann je nach Batterietyp variieren.
17. Batterien können während des Ladevorgangs heiß werden.
18. Unter kalten Bedingungen ist die Kapazität von Batterien viel niedriger als bei normaler Raumtemperatur.
19. Batterien (auch falls im Lieferumfang enthalten) sind Verbrauchsgüter und fallen nicht unter die Garantiebestimmungen für das Radio.
20. Wir empfehlen den Gebrauch von wiederaufladbaren PerfectPro Batterien, da das Radio und das Ladegerät für diese Art von Batterien entwickelt wurden.
21. Vor dem Einlegen der Batterien zunächst immer den Netzstecker aus der Steckdose ziehen.

## INBETRIEBNAHME DES RADIOS

1. Stellen Sie das Radio auf eine flache Unterlage.
2. Ziehen vorsichtig die Antenne auf der Oberseite des Radios heraus. Richten Sie die Antenne so aus, dass sie vertikal über dem Radio steht.
3. Stecken Sie den Netzstecker in eine Steckdose. In der Anzeige erscheint für ein paar Sekunden "Welcome". Dann führt das Radio automatisch eine Sendersuche durch das DAB-Band III DAB-Kanäle und das UKW-Band. In der Anzeige erscheint dabei "ATS setting".
4. Wenn die Suche abgeschlossen ist, werden die 10 stärksten UKW-Sender gespeichert. Das Radio geht in den Bereitschaftsbetrieb und wechselt zur Anzeige der aktualisierten Uhrzeit und des Datums.
5. Wenn kein Signal gefunden werden kann, wird die Uhrzeit nicht aktualisiert. Unter Umständen müssen Sie das Radio an einer anderen Position aufstellen, um einen besseren Empfang zu erhalten.

## DAB-MODUS

### Die Bedienung des Radio - DAB

1. Ziehen Sie vorsichtig die Antenne heraus. Betätigen Sie die **ON/OFF-Taste** zum Einschalten des Geräts.
2. Wenn dies das erste Mal ist, dass Sie das Radio einschalten, dann geht es automatisch in den DAB-Modus.
3. Der erste Sender (in alphanumerischer Reihenfolge, 0...9, A...Z) in der Liste der gefundenen Sender wird dann wiedergegeben. In der Anzeige erscheint der Name des Senders.  
Wenn Sie das Radio in der Vergangenheit bereits benutzt haben, geht das Gerät auf den zuletzt benutzten Sender.
4. Wenn keine Signale erkannt werden, erscheint "No stations available" in der Anzeige. Unter Umständen müssen Sie das Radio an einer anderen Position aufstellen, um einen besseren Empfang zu erhalten.  
Sie sollten dann erneut eine automatische Sendersuche durchführen. Lesen Sie dazu bitte den Abschnitt "Suche neuer Sender – DAB".

### Senderauswahl – DAB

1. Betätigen Sie die **ON/OFF-Taste** zum Einschalten des Geräts. In der Anzeige erscheint für ein paar Sekunden "Tuning".
2. In der Anzeige wird der Name des aktuellen Senders angezeigt.
3. Benutzen Sie den **Frequenzdrehknopf**, um in der Senderliste einen anderen Sender zu wählen.
4. Wenn der gewünschte Sendername in der Anzeige erscheint, drücken Sie auf den **Frequenzdrehknopf**, um den Sender zu wählen. In der Anzeige erscheint während der Suche "Now tuning".

**Hinweis:** Wenn nach der Auswahl des Senders "Service not available" in der Anzeige steht, ist es eventuell notwendig das Radio an einem anderen Ort aufzustellen, um einen besseren Empfang zu ermöglichen.

## Zusätzliche Dienste – DAB

1. Bestimmte Radiosender stellen einen oder mehrere zusätzliche Dienste zur Verfügung. Wenn ein Sender über zusätzliche Dienste verfügt, erscheint der sekundäre Dienst sofort nach dem primären, wenn Sie am **Frequenzdrehknopf** drehen.
2. Drücken Sie auf den **Frequenzdrehknopf**, um den sekundären Dienst auszuwählen. Die meisten zusätzlichen Dienste werden nicht permanent ausgestrahlt. Wenn der gewählte Dienst nicht verfügbar ist, wird der Radiosender neu eingestellt, um auf den entsprechenden Hauptdienst zuzugreifen.

## Anzeigemodi – DAB

Im DAB-Modus kann das Radio verschiedene Informationen anzeigen.

1. Betätigen Sie die **INFO-Taste**, um eine von verschiedenen Anzeigevarianten zu wählen.

a. Scrolltext	Zeigt verschiedene Informationen als Lauftext an, wie z. B. Interpret/Titel, Telefonnummer, etc.
b. Programmart	Zeigt die Art des aktuellen Senders an (z. B. Pop, Klassik, Nachrichten, etc.).
c. Signalstärke	Zeigt die Signalstärke des Radiosenders an. Das unausgefüllte Rechteck gibt die minimale Signalstärke an, die für einen zufriedenstellenden Empfang nötig ist.
d. Multiplexname	Zeigt den Multiplexnamen an, zu dem der Sender gehört.
e. Kanal und Frequenz	Zeigt die Frequenz und Kanalnummer des aktuellen DAB-Radiosenders an.
f. Bitrate & Audioformat	Zeigt die digitale Audiobitrate an.
g. Zeit und Datum	Zeigt die aktuelle Uhrzeit (24-Stundenanzeige) und das Datum an.

## Suche neuer Sender – DAB

Mit der Zeit stehen immer mehr Sender zur Verfügung. Gehen Sie auf die folgende Weise vor, um neue Sender hinzuzufügen: -

1. Betätigen Sie die **MENU-Taste** und "Full Scan" erscheint in der Anzeige.
2. Drücken Sie auf den **Frequenzdrehknopf** und das Radio durchsucht das DAB-Band III nach neuen Sendern.  
Wenn neue Sender gefunden werden, wird die Anzahl der gefundenen Sender auf der rechten Seite angezeigt und die Sender werden in die Senderliste eingefügt.

## Manuelle Sendersuche – DAB

Durch die manuelle Suche können Sie direkt auf bestimmte Kanäle des DAB-Bands III zugreifen.

1. Betätigen Sie die **MENU-Taste** und "Full Scan" erscheint in der Anzeige.
2. Drehen Sie am **Frequenzdrehknopf**, bis "Manual Tune" in der Anzeige erscheint. Drücken Sie auf den **Frequenzdrehknopf**.
3. Drehen Sie am **Frequenzdrehknopf**, um den gewünschten DAB-Kanal zu wählen. Drücken Sie auf den **Frequenzdrehknopf**, um die gewählte Frequenz einzustellen.
4. Die minimale Signalstärke, die für einen guten DAB-Empfang benötigt wird, wird durch einen offenen Balken angezeigt. Die Signalbalken geht nach oben oder unten und zeigt damit die Veränderung der Signalstärke, wenn Sie die Antenne neu ausrichten oder das Radio an einen anderen Ort stellen.
5. Wenn ein DAB-Signal gefunden wird, erscheint der Name des DAB-Senders in der Anzeige. Jeder neu gefundene Sender wird der Senderliste des Radios hinzugefügt.
6. Drücken Sie den **Frequenzdrehknopf**, um zum normalen DAB-Dienst zurückzukehren.

## Dynamikbereichsteuerung (DRC) – DAB

Dynamikbereichsteuerung (DRC) ermöglicht es leise Geräusche leichter zu hören, wenn wenn das Radio in einer lärmigen Umgebung benutzt wird.

1. Betätigen Sie im DAB-Modus die **MENU-Taste** und in der Anzeige erscheint "Full Scan".
2. Drehen Sie dann am **Frequenzdrehknopf**, bis in der Anzeige "DRC Value" erscheint. Drücken Sie auf den **Frequenzdrehknopf**.
3. Drehen Sie dann am **Frequenzdrehknopf** zur Auswahl des gewünschten DRC-Werts (Standardeinstellung ist OFF).

DRC Off	Die DRC-Funktion ist ausgeschaltet. Empfangene DRC-Signale werden ignoriert.
DRK 1/2	Der DRC-Pegel wird auf die Hälfte der Senderangaben gestellt.
DRC 1	Der DRC-Wert wird auf den vom Sender vorgegebenen Wert gestellt.

4. Betätigen Sie den **Frequenzdrehknopf** zur Bestätigung Ihrer Einstellung. Das Gerät geht zurück zur normalen Radioanzeige.

**Hinweis:** Nicht alle DAB-Sender nutzen die DRC-Funktion. Wenn die Sendung die DRC-Funktion nicht unterstützt, hat die DRC-Einstellung des Radios keinen Effekt.

## **Sender deaktivieren - DAB**

Wenn Sie in einen anderen Teil Ihres Landes ziehen, kann es passieren, dass einige der Sender in der Senderliste nicht mehr verfügbar sind. Unter Umständen können DAB-Sender auch geschlossen werden oder Standort bzw. Frequenz ändern. Mit dieser Funktion können Sie DAB-Sender aus der Senderliste löschen.

1. Betätigen Sie im DAB-Modus die **MENU-Taste** und in der Anzeige erscheint "Full Scan".
2. Drehen Sie am **Frequenzdrehknopf**, bis in der Anzeige "Prune" erscheint.
3. Drücken Sie auf den **Frequenzdrehknopf**, um das Einstellungs Menü aufzurufen.
4. Drehen Sie am **Frequenzdrehknopf**, um zwischen "Yes" oder "No" (Standardauswahl ist "No") zu wechseln.  
Wählen Sie "Yes", um diese Funktion bei Bedarf zu aktivieren, andernfalls wählen Sie "No".
5. Drücken Sie auf den **Frequenzdrehknopf**, um Ihre Einstellung zu bestätigen. Das Gerät geht zurück zur normalen Radioanzeige.

**Hinweis:** Wenn Sie das Radio an einen neuen Standort in einem anderen Teil des Landes bewegt haben, sollten Sie nach Möglichkeit eine Sendersuche durchführen (siehe Abschnitt "Suche neuer Sender - DAB").

## **UKW-MODUS**

### **Die Bedienung des Radio - UKW-Sender suchen**

1. Betätigen Sie die **ON/OFF-Taste** zum Einschalten des Radios.
2. Wählen das UKW-Frequenzband durch Betätigung der **SOURCE-Taste**.
3. Wenn Sie das erste Mal in den UKW-Modus wechseln, wird der Senderspeicher 1 aufgerufen.  
Wenn das Radio zuvor bereits benutzt wurde, wird der zuletzt gehörte Sender aufgerufen.
4. Zum Suchen eines Senders, drücken Sie auf den **Frequenzdrehknopf**. Der Suchlauf stoppt automatisch, wenn ein Sender mit ausreichender Stärke gefunden wird.
5. Nach ein paar Sekunden wird die Anzeige aktualisiert und der Sendername wird angezeigt, wenn RDS-Informationen empfangen werden können.
6. Wenn Sie weitere Sender finden wollen, drücken Sie einfach erneut auf den **Frequenzdrehknopf**.
7. Zur Sendersuche in die entgegengesetzte Richtung drehen Sie am **Frequenzdrehknopf** im Uhrzeigersinn (von niedrigen Frequenzen zu hohen Frequenzen) oder entgegen dem Uhrzeigersinn (von hohen Frequenzen zu niedrigen Frequenzen) und drücken Sie dann auf den **Frequenzdrehknopf**.
8. Wenn das Ende des jeweiligen Frequenzbands erreicht ist, fährt das Radio mit der gegenüberliegenden Seite des Frequenzbands fort.



## Manuelle Sendersuche – UKW

1. Betätigen Sie die **ON/OFF-Taste** zum Einschalten des Radios.
2. Wählen das UKW-Frequenzband durch Betätigung der **SOURCE-Taste**.
3. Drehen Sie am **Frequenzdrehknopf**, um die gewünschte UKW-Radiofrequenz einzustellen.  
Die Frequenz wird in 50-kHz-Schritten eingestellt.
4. Richten Sie die Gummiantenne für den bestmöglichen Empfang aus. Wenn das Radio auf einen Sender mit ausreichender Signalstärke und RDS-Informationen eingestellt ist, kann der Sendername in der Anzeige angezeigt werden.
5. Wenn das Ende des jeweiligen Frequenzbands erreicht ist, fährt das Radio mit der gegenüberliegenden Seite des Frequenzbands fort.

## RDS-Dienste

RDS (Radio Data System) ist ein Informationssystem, bei dem unhörbare digitale Informationen zusätzlich mit dem normalen UKW-Radioprogramm gesendet werden. Wenn das Radio einen RDS-Sender empfängt und die Empfangsstärke ausreicht, erscheint der Name des Senders in der Anzeige. Es kann einige Zeit dauern, bevor die RDS-Informationen zur Verfügung stehen.

## Abrufen von RDS-Informationen

1. Wenn Sie einen UKW-Sender mit RDS-Diensten hören, betätigen Sie wiederholt die **Info-Taste**, um die verschiedenen Informationen anzuzeigen. Diese Funktion ist nur bei guten Empfangssignalen verfügbar.
  - a. Radiotext (RT) Zeigt Nachricht des aktuellen Senders als Laufschrift an.
  - b. Programmtyp (PTY) Zeigt die Art des aktuellen Senders an (z. B. Pop, Klassik, Nachrichten, etc.).
  - c. Frequenz Zeigt die Frequenz des aktuellen Senders an.
  - d. Audiotyp Zeigt den Audiotyp des aktuellen Senders an.
  - e. Zeit und Datum Zeigt die aktuelle Uhrzeit (24-Stundenanzeige) und das Datum an.

## Suchempfindlichkeit - UKW

Das Radio sucht normalerweise nach alle UKW-Sendern, einschließlich denen mit schwächeren Signalen. In bestimmten Fällen ist es allerdings sinnvoll nur nach Sendern zu suchen, die über genügend starke Signale verfügen, damit ein guter Empfang gewährleistet werden kann.

1. Betätigen Sie die **ON/OFF-Taste** zum Einschalten des Radios.
2. Wählen das UKW-Frequenzband durch Betätigung der **SOURCE-Taste**.
3. Betätigen Sie die **MENU-Taste** und "Scan setting" erscheint in der Anzeige.
4. Drücken Sie auf den Frequenzdrehknopf.
5. Drehen Sie am **Frequenzdrehknopf**, um zwischen den Optionen "All stations" und "Strong station" zu wechseln (Standardeinstellung ist All stations).  
Mit der "Strong station"-Option sucht das Radio nur nach starken Signalen.
6. Drücken Sie auf den **Frequenzdrehknopf**, um Ihre Einstellung zu bestätigen. Das Gerät geht zurück zur normalen Radioanzeige.

## SENDERSPEICHER

### Speichern von Sendern

Es stehen 10 Speicherplätze zur Verfügung, 10 für DAB und 10 für UKW. Die gespeicherten Sender bleiben im Speicher des Radios erhalten, selbst wenn die Stromversorgung ausfällt.

1. Betätigen Sie die **ON/OFF-Taste** zum Einschalten des Radios.
2. Betätigen Sie die **SOURCE-Taste** zur Auswahl des gewünschten Frequenzbands.
3. Stellen Sie den gewünschten Sender ein.
4. Halten Sie die gewünschte **Speicher-Taste** gedrückt, bis ein Signalton zu hören ist und in der Anzeige zum Beispiel, "Preset 01 Saved" erscheint.
5. Wiederholen Sie die Schritte 3 und 4 für die übrigen Senderspeicher.
6. Wenn Sie eine Speichertaste neu konfigurieren, können vorher gespeicherte Sender überschrieben werden.

### Aufrufen gespeicherter Sender

1. Betätigen Sie die **ON/OFF-Taste** zum Einschalten des Radios.
2. Betätigen Sie die **SOURCE-Taste** zur Auswahl des gewünschten Frequenzbands.
3. Betätigen Sie die gewünschte **Speicher-Taste** und in der Anzeige erscheint z. B. "Preset 01 Loaded" für ein paar Sekunden und die Radiofrequenz des Senders wird angezeigt.

## BLUETOOTH-MODUS

### Koppeln von Bluetooth mit Ihrem Mobiltelefon

1. Drücken Sie der **ON/OFF-Taste**, um das Radio einzuschalten.
2. Wählen Sie den Bluetooth-Modus aus, indem Sie die **Source Taste** drücken.
3. Auf dem LCD-Display wird „Nicht verbunden“ angezeigt, wenn das Radio noch nicht mit Ihrem Mobiltelefon gekoppelt ist.
4. Öffnen Sie bei Ihrem Mobiltelefon das Einstellungsmenü und wählen Sie Bluetooth aus. Wählen Sie anschließend in der Liste der Bluetooth-Geräte Ihres Mobiltelefons „**RockBox 3**“ aus (die Anleitung zur Bluetooth-Kopplung kann sich je nach Mobiltelefon unterscheiden; lesen Sie in der Bedienungsanleitung Ihres Mobiltelefons nach).
5. Nach erfolgreicher Bluetooth-Kopplung wird "verbunden" angezeigt.

### Wiedergabe von Musik auf Ihrem Mobiltelefon

1. Drücken Sie die Ein/Ausschalttaste, um das Radio einzuschalten.
2. Wählen Sie den Bluetooth-Modus aus, indem Sie die **Source Taste** drücken.
3. Starten Sie die Musikwiedergabe über die Mediaplayer des gekoppelten Mobiltelefons.
4. Sie können die Wiedergabe direkt am Handy oder mit den Tasten **▶II**, **▶▶I** und **I◀◀** (Speichertasten 3, 4 und 5) am Radio steuern.

### Geräteliste – Mit dem gekoppelten Gerät verbinden

Am Radio können Sie das Bluetooth-Gerät aus der Geräteliste auswählen, um die Verbindung erneut herzustellen.

Die Gerätenamen werden angezeigt, wenn der Name der Bluetooth-Geräte in den Mobilgeräten konfiguriert wurde. Zu den Konfigurationen siehe die Bedienungsanleitung Ihres Mobilgeräts.

Die Geräteliste kann wie folgt überprüft werden:

1. Drücken Sie im Bluetooth-Modus die **Menu Taste**, um auf die Systemeinstellungen zuzugreifen.
2. Drehen Sie **Frequenzdrehknopf**, bis die Geräteliste angezeigt wird; drücken Sie **Frequenzdrehknopf**, um die Einstellung auszuwählen.
3. Drehen Sie **Frequenzdrehknopf**, um den Namen der Geräte anzuzeigen.
4. Drücken Sie **Frequenzdrehknopf**, um die Wiederherstellung der Bluetooth-Verbindung zu starten. Der Lautsprecher wird automatisch mit diesem ausgewählten Mobilgerät verbunden.

Hinweis: In der Geräteliste können bis zu 8 Gerätenamen gespeichert werden. Wenn Sie mehr als 8 Mobilgeräte in der Geräteliste speichern, wird der Name des zuerst gekoppelten Geräts gelöscht.

Hinweis: Wenn Sie „**RockBox 3**“ auf Ihrem Mobiltelefon gelöscht haben, ist die automatische Neuverbindung erfolglos.

## Neustart der Bluetooth-Kopplung

Die Bluetooth-Funktion kann für verschiedene Funktionsweisen eingestellt werden, siehe unten:

1. Drücken Sie im Bluetooth-Modus die **Menu Taste**, um auf die Systemeinstellungen zuzugreifen.
2. Drehen Sie **Frequenzdrehknopf**, um die Option „Disconnect BT“- („BT trennen“) auszuwählen, und drücken Sie dann **Frequenzdrehknopf**, um die Einstellung auszuwählen.
3. Das LCD-Display zeigt „Not connected“ („Nicht verbunden“) an und das Bluetooth des Radios ist für die Verbindung mit einem anderen Mobiltelefon bereit, da es jetzt im Erkennungsmodus ist.

**Hinweis:** „Disconnect BT“ („BT trennen“) ist die Option, die das Bluetooth dieses Radios von Ihrem Mobiltelefon trennt und den „Erkennungsmodus“ aktiviert. Dadurch wird die Bluetooth-Kopplung mit einem anderen Gerät ermöglicht. Wenn kein anderes Gerät gekoppelt wird, versucht die Bluetooth-Funktion automatisch, die Verbindung zum letzten Gerät wiederherzustellen, wenn sie aus- und dann wieder eingeschaltet wird.

Die automatische Energiesparfunktion wird im Bluetooth-Modus aktiviert. Wird über 15 Minuten lang kein Signal\* empfangen, wechselt das Radio automatisch in den Standby-Modus. Durch Drücken der **ON/OFF-Taste** wird das Gerät wieder aktiviert.

## AUX-MODUS

Hinter der Gummiabdeckung befindet sich ein **3,5-mm-Stereo-Aux-Eingang** zum Anschluss eines externen Audiogeräts, wie z. B. einem MP3-Player oder CD-Player (nicht im Lieferumfang des Radios enthalten).

1. Schließen Sie ein Stereo- oder Mono-Audiosignal an den **Aux-Eingang** an.
2. Betätigen Sie die **Source-Taste** zur Auswahl des AUX-Modus. In der Anzeige erscheint AUX IN.
3. Starten Sie die Wiedergabe auf dem externen Audiogerät.
4. Stellen Sie sowohl die Lautstärke des Radios als auch des externen Geräts auf ein komfortables Niveau.
5. Schließen Sie nach der Benutzung die Gummiabdeckung, um zu verhindern, dass Feuchtigkeit oder Staub in die Anschlüsse und das Radio gelangen.

**Hinweise:** Verwenden Sie niemals den AUX-IN-Anschluss bei regnerischen oder feuchten Bedingungen, um zu verhindern, dass Feuchtigkeit in das Radio eindringt! Halten Sie die Gummiabdeckung unter diesen Bedingungen geschlossen.

Die automatische Stromverwaltung wird im AUX-Modus aktiviert. Liegt am AUX-Eingang länger als 15 Minuten kein Eingangssignal an, so schaltet sich das Gerät automatisch in den Stand-by-Modus. Statusanzeige und LCD-Display erlöschen. Mit Tastendruck auf On/Standby schalten Sie das Gerät wieder ein.

## EINSTELLEN DER UHRZEIT

Die Uhrzeit kann nur eingestellt werden, wenn das Radio sich im Bereitschaftsmodus befindet. Wenn für 5 Sekunden keine Taste betätigt wird, verlässt das Radio den Uhrzeiteinstellungsmodus und die Einstellungen werden aufgehoben.

1. Halten Sie die **Time Set-Knopf** für ca. 2 Sekunden gedrückt, bis die Stundenziffern in der Anzeige aufblinken.
2. Drehen Sie am **Time Set-Knopf**, um die Stunden einzustellen.
3. Betätigen Sie den **Time Set-Knopf** zur Bestätigung und die Minutenziffern beginnen zu blinken.
4. Drehen Sie am **Time Set-Knopf**, um die Minuten einzustellen.
5. Betätigen Sie den **Time Set-Knopf** zur Bestätigung und die Taganzeige fängt in der Anzeige an zu blinken.
6. Drehen Sie am **Time Set-Knopf**, um den aktuellen Tag einzustellen.
7. Betätigen Sie den **Time Set-Knopf** zur Bestätigung und der Monat fängt an zu blinken.
8. Drehen Sie am **Time Set-Knopf**, um den aktuellen Monat einzustellen.
9. Betätigen Sie den **Time Set-Knopf** zur Bestätigung und das Jahr erscheint in der Anzeige.
10. Drehen Sie am **Time Set-Knopf**, um das aktuelle Jahr einzustellen.
11. Betätigen Sie den **Time Set-Knopf** zur Bestätigung und "SyncLock ON" fängt an zu blinken.
12. Drehen Sie am **Time Set-Knopf**, um auf "SYNCLOCK ON" oder "SYNCLOCK OFF" zu wählen.
13. Betätigen Sie den **Time Set-Knopf** zur Bestätigung und beenden Sie damit die Einstellung der Uhrzeit.

### RDS-Zeitsynchronisation

Wenn "SYNCLOCK ON" gewählt wird, erscheint das Symbol "⌚" in der Anzeige. Manche RDS-Sender übertragen ein Zeitsignal. Wenn ein guter Empfang vorhanden ist und Sie die Option "SYNCLOCK ON" während der Zeiteinstellung gewählt haben, wird die Zeit automatisch aktualisiert ("⌚" blinkt in der Anzeige). Die Zeitsynchronisation kann einige Minuten dauern. Die automatische Zeiteinstellung wird immer dann aktiviert, wenn das Radio vom Bereitschaftsmodus in den Radiomodus geschaltet wird und ein RDS-Sender empfangen wird.

## LOUDNESS

Die Loudness-Funktion ermöglicht einen Ausgleich der Hoch- und Tieftöne. Der Effekt ist umso deutlicher, je niedriger die eingestellte Lautstärke ist (Dynamic Loudness).

1. Betätigen Sie die **Loudness-Taste**, um die Loudness-Funktion zu aktivieren. In der Anzeige erscheint dann "Loudness".
2. Betätigen Sie die **Loudness-Taste** erneut, um die Funktion wieder zu deaktivieren. In der Anzeige erscheint dann entsprechend "Loudness Off".

## SPRACHEINSTELLUNGEN

Das Radio kann auf andere Sprachen gestellt werden werden.

1. Betätigen Sie die **ON/OFF-Taste** zum Einschalten des Radios.
2. Betätigen Sie die **MENU-Taste** und drehen Sie dann am **Frequenzdrehknopf**, bis "System" in der Anzeige erscheint.
3. Drücken Sie auf den **Frequenzdrehknopf** und drehen Sie dann am **Frequenzdrehknopf**, bis "Language" in der Anzeige erscheint.
4. Drücken Sie auf den **Frequenzdrehknopf**, um in das Spracheinstellungsmenü zu gelangen.
5. Drehen Sie am **Frequenzdrehknopf**, bis die gewünschte Sprache in der Anzeige erscheint (Standardeinstellung ist English).
6. Drücken Sie auf den **Frequenzdrehknopf**, um Ihre Auswahl zu bestätigen. Die Anzeige wird dann auf die gewählte Sprache eingestellt.

## SOFTWARE-VERSION

Die Software-Version kann nicht verändert werden und dient lediglich als Referenzangabe. Sie können nur die Software-Version im DAB- und UKW-Modus einsehen.

1. Betätigen Sie die **ON/OFF-Taste** zum Einschalten des Geräts.
2. Betätigen Sie die **MENU-Taste** und drehen Sie dann am **Frequenzdrehknopf**, bis "System" in der Anzeige erscheint.
3. Drücken Sie auf den **Frequenzdrehknopf** und drehen Sie dann am **Frequenzdrehknopf**, bis "SW version" in der Anzeige erscheint.
4. Drücken Sie auf den **Frequenzdrehknopf**, um die Software-Version einzusehen.
5. Drücken Sie erneut auf den **Frequenzdrehknopf**, um zur normalen Radioanzeige zurückzukehren.

## SYSTEMRESET

Wenn das Radio Funktionsstörungen aufweist oder Ziffern in der Anzeige fehlen bzw. unvollständig sind, dann gehen Sie bitte wie folgt vor:

1. Betätigen Sie die **ON/OFF-Taste** zum Einschalten des Geräts.
2. Betätigen Sie die **MENU-Taste**.
3. Drehen Sie am **Frequenzdrehknopf**, bis "System" in der Anzeige erscheint. Drücken Sie auf den **Frequenzdrehknopf**.
4. Drehen Sie am **Frequenzdrehknopf**, "Factory Reset" in der Anzeige erscheint. Drücken Sie auf den **Frequenzdrehknopf**.
5. Drehen Sie am **Frequenzdrehknopf**, um zwischen "Yes" oder "No" zu wechseln. Wählen Sie "Ja", wenn Sie das Radio auf die ursprünglichen Einstellungen zurückzusetzen wollen. Andernfalls wählen Sie "No".
6. Drücken Sie auf den **Frequenzdrehknopf**, um die Werkseinstellungen wiederherzustellen.
7. Daraufhin wird ein kompletter Systemreset ausgeführt. Alle Senderspeicher und Senderlisten werden dabei gelöscht. Alle Einstellungen werden auf die Standardwerte zurückgesetzt.  
In der Anzeige erscheint "Welcome" für ein paar Sekunden und das Radio führt automatisch eine Sendersuche im DAB-Band III und im UKW-Band durch. Daraufhin erscheint "ATS setting" in der Anzeige.  
Sollten Funktionsstörungen aufgrund von elektrostatischen Entladungen auftreten, führen Sie einfach einen Systemreset des Geräts aus und fahren Sie mit der normalen Benutzung fort. Wenn Sie es nicht möglich ist den oben beschriebenen Reset-Vorgang auszuführen, ziehen Sie den Netzadapter aus der Steckdose heraus und schließen Sie ihn wieder an.

D

"Unter der Umgebung mit Leitungsstörung / Strahlungsunempfindlichkeit kann das Muster fehlerhaft sein. Es wird automatisch wieder normal, wenn die Leitungsstörung / Strahlungsunempfindlichkeit stoppt."

## TON (BASS / TREBLE)

Mit der **Ton**-Funktion können Sie niedrige un höhere Tonfrequenzen konfigurieren.

1. Schalten Sie das Radio mit der Ein-/Ausschalttaste ein.
2. Drücken Sie den Lautstärkereglер während 3 sec. Im Display erscheint die Anzeige „BASS 0“.
3. Drehen Sie den Lautstärkereglер, um den Bass entsprechend einzustellen.
4. Drücken Sie den Lautstärkereglер zum Bestätigen. Im Display erscheint die Anzeige „TREBLE 0“.
5. Drehen Sie den Lautstärkereglер, um den Hochtון entsprechend einzustellen.
6. Drücken Sie den Lautstärkereglер, um Ihre Einstellungen zu bestätigen und zur normalen Anzeige zurückzukehren.

## HINTERGRUNDBELEUCHTUNG

### Konfiguration der LCD-Hintergrundbeleuchtung

1. Betätigen Sie die **ON/OFF-Taste**, um das Radio einzuschalten.
2. Betätigen Sie die **MENU-Taste**, und drehen Sie dann den **Drehknopf**, bis das Display „System“ anzeigt.
3. Drücken Sie auf den **Frequenzdrehknopf**; drehen Sie den **Frequenzdrehknopf**, bis das Display „LCD backlight“ anzeigt.
4. Drücken Sie auf den **Frequenzdrehknopf**, um das Menü für die Anpassung der LCD-Hintergrundbeleuchtung aufzurufen.
5. Drehen Sie den **Frequenzdrehknopf**, um „on“ auszuwählen, damit die Hintergrundbeleuchtung immer aktiv ist, wenn das Radio per Netzbetrieb läuft.
6. Oder wählen Sie mit dem **Frequenzdrehknopf** „off“ (Standard), so dass die Hintergrundbeleuchtung 10 Sekunden lang aktiv ist, wenn bei Netzbetrieb eine Taste betätigt wird.
7. Drücken Sie auf den **Frequenzdrehknopf**, um Ihre Auswahl zu bestätigen.

Hinweis: Die LCD-Hintergrundbeleuchtungsoption „on“ ist nur verfügbar, wenn das Radio im Netzbetrieb läuft. Wenn das Radio per Akku betrieben wird, ist diese Option auf „off“ gesetzt – 10 Sekunden Beleuchtung, wenn eine Taste betätigt wird. Wenn das Radio wieder mit dem Stromnetz verbunden wird, wird die letzte Benutzereinstellung wieder aktiviert.



## GARANTIE

Dieses Gerät kommt mit einer 2-jährigen eingeschränkten Garantie.

**WARNUNG! Die Garantie wird nichtig, falls die Abdeckung geöffnet und das Gerät modifiziert oder verändert wurde!**

Die Garantie des Radios erstreckt sich nicht auf folgendes:

- Schäden aufgrund falscher Nutzung, Missbrauch, Fahrlässigkeit, Änderungen oder nicht genehmigter Reparaturen.
- Normale(r) Abnutzung und Verschleiß.
- Die Teleskopantenne wurde gebrochen oder geknickt.

## TECHNISCHE DATEN

### Stromnetzanforderungen

Stromversorgung	AC 230 V ~ 50 Hz
Batterien	6 x 1,5V (Alkali Typ IEC LR14 / UM-2 / Größe C) oder 6 x 1,2V (PerfectPro Typ C / HR14 / 1,2V 4000mAh wiederaufladbare NiMH-Batterie)

### Frequenzbereich

DAB+ / DAB	DAB 174,928 - 239,200 MHz
UKW	87,5 - 108 MHz

### Schaltkreismerkmale

Lautsprecher	1 x Ø 10 cm
Ausgangsleistung	1 x 7.5 W
Aux-Eingang	Ø 3,5 mm

### Bluetooth

Version 4.1 Unterstützt Bluetooth-Profile A2DP, AVRCP  
2402-2480MHz, Max power < 10dBm

### Hinweis zum Umweltschutz:



Dieses Produkt wurde aus hochwertigen Teilen und Materialien, die wiederverwendet und recycelt werden können, hergestellt. Werfen Sie deshalb das Produkt am Ende seiner Lebensdauer nicht in den normalen Hausmüll. Bringen Sie es zu einer Sammelstelle zum Recycling von elektrischen und elektronischen Geräten. Dies wird durch dieses Symbol auf dem Produkt, in der Bedienungsanleitung und auf der Verpackung angegeben.

Bitte informieren Sie sich über Sammelstellen bei Ihren örtlichen Behörden. Schützen Sie die Umwelt durch das Recycling von Altgeräten.



# PERFECTPRO

Brand: Perfectpro

Product name: ROCKBOX

Art.nr.: RBX3

## **ENG** Declaration of Conformity

Prime Europe B.V. hereby declares that this model RBX3 is in compliance with the essential requirements and other relevant provisions of Directive 2014/53/EU and also fulfills all the relevant provisions of EC/EU Directives: 2011/65/EU.

The EU declaration of conformity is available at the following internet address:

<http://www.perfectpro.nl/support/ce-docs/>

## **F** Déclaration de conformité

Prime Europe B.V. déclare que ce modèle RBX3 est conforme aux exigences essentielles et aux autres dispositions pertinentes de la directive 2014/53/EU et remplit toutes les dispositions pertinentes des directives CE/UE: 2011/65/UE.

La déclaration de conformité de l'UE est disponible à l'adresse Internet suivante:

<http://www.perfectpro.fr/supports/ce-docs/>

## **NL** Conformiteitsverklaring

Prime Europe B.V. verklaart hierbij dat dit model RBX3 voldoet aan de essentiële eisen en andere relevante bepalingen van richtlijn 2014/53/EU en ook voldoet aan de relevante bepalingen van de EG/EU-richtlijnen: 2011/65/EU.

De EU-conformiteitsverklaring is beschikbaar op het volgende internetadres:

<http://www.perfectpro.nl/support/ce-docs/>

## **DE** Konformitätsarklärung

Prime Europe B.V. erklärt hiermit, dass dieses Modell RBX3 den grundlegenden Anforderungen und anderen einschlägigen Bestimmungen der Richtlinie 2014/53/EU entspricht, und auch alle einschlägigen Bestimmungen der EG/EU-Richtlinien erfüllt: 2011/65/EU.

Die EU-Konformitätserklärung steht unter folgender Internetadresse zur Verfügung:

<http://www.perfectpro.de/support/ce-docs/>

## **Prime Europe B.V.**

Everdenberg 9a, 4902 TT, Oosterhout, The Netherlands

DOC-EC2020-A1-RBX3



Perfectpro B.V.  
Everdenberg 9A  
4902TT Oosterhout  
The Netherlands  
[www.perfectpro.eu](http://www.perfectpro.eu)