

# Hitachi Power Tools

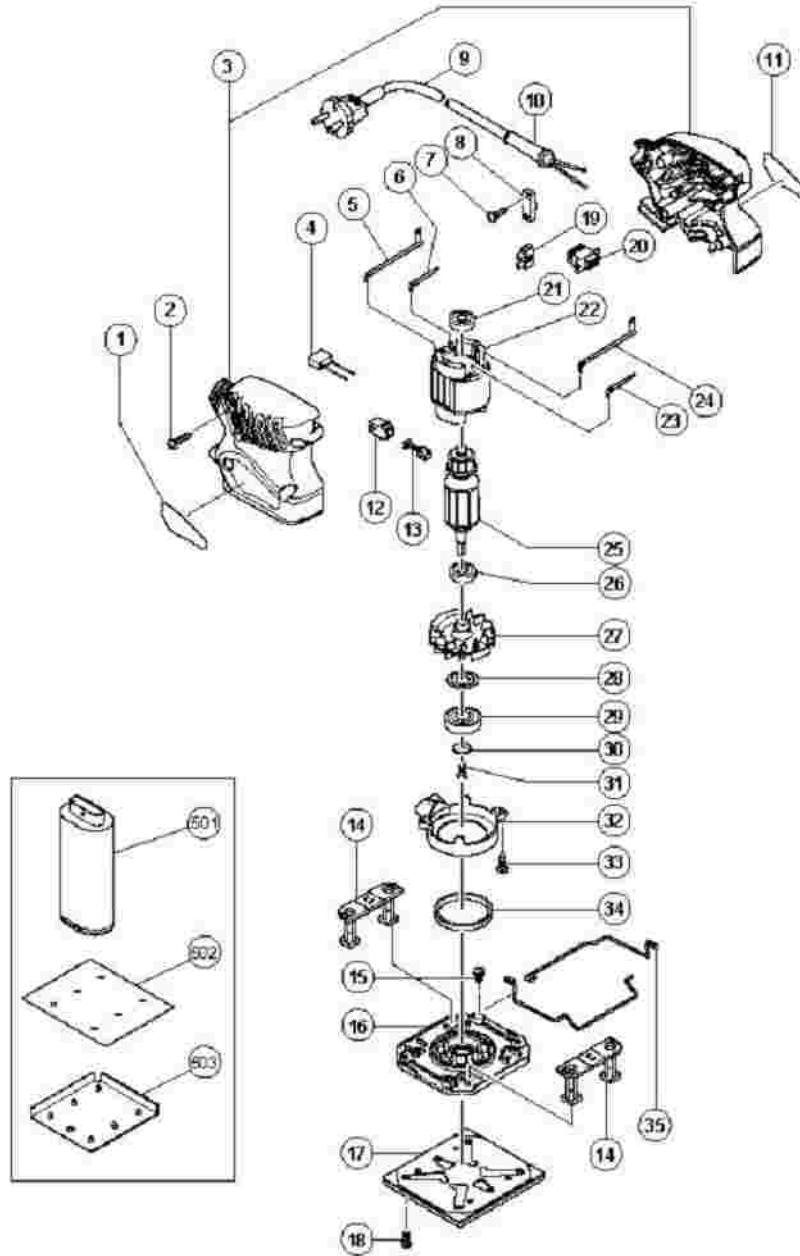
LIST NO.0353

## ELECTRIC TOOL PARTS LIST

■ ORBITAL SANDER  
Model SV 12SG

2005 • 6 • 1

(E1-2)



## SV12SG

Pos. Nr.	Art. Nr.	Beschreibung	Stueck	Kommentar	Bes
1			1		NAME I
2	301-653	SCHNEIDSCHRAUBE D4X20 MIT FLANSCH	4		TAPPIN (W/FLA (BLACK
3	322-766		1		HOUSIN
4	930-039	KONDENSATOR C6U-C13U u.a.	1	"FOR NZL,AUS,GBR,EUROPE,NOR,SUI,CHN"	NOISE S
5	322-764		1		INTERN (BROW
6	322-761		1		TAB TE (BLUE)
7	984-750	SCHNEIDSCHRAUBE D4X16 MIT FLANSCH	2		TAPPIN (W/FLA
8	937-631	KABELKLEMME DIV.TYPEN	1		CORD C
9	500-409Z	ANSCHLUSSKABEL MIT STECKER	1	(CORD ARMOR D8.8)	CORD
9	500-439Z		1	"(CORD ARMOR D8.8) FOR NZL,AUS"	CORD
9	500-423Z		1	(CORD ARMOR D8.8) FOR SIN	CORD
9	500-240Z		1	"(CORD ARMOR D8.8) FOR USA,CAN"	CORD
9	500-435Z		1	"(CORD ARMOR D8.8) FOR HKG,GBR (230V)"	CORD
9	500-461Z		1	(CORD ARMOR D8.8) FOR GBR (110V)	CORD
9	500-447Z		1	(CORD ARMOR D8.8) FOR SUI	CORD
9	500-468Z		1	(CORD ARMOR D8.8) FOR CHN	CORD
10	953-327	KABELKNICKSCHUTZ D8.8 DIV.TYPEN	1		CORD A
11			1		HITACH
12	930-483	KOHLLENHALTER DW15Y/W6VA1 u.a.	2		BRUSH
13	999-041	KOHLLENBÜRSTEN (PAAR)	2		CARBO PAIR)
14	322-756		2		LEG
15	311-945	SCHNEIDSCHRAUBE D4X10 M.FLANSCH	2		TAPPIN (W/FLA (BLACK

16	322-759		1		BASE
17	310-354	SCHLEIFPLATTE (GELOCHT) SV12SF	1		FELT PA (PERFO
17	310-355	SCHLEIFPLATTE KLETT (GELOCHT)	1	"FOR FRA,BEL,SUI"	"PAD (P SENSIT TYPE,PI
17	311-978	SCHLEIFPLATTE 110X100 SV12SF	1	"FOR USA,CAN"	"PAD (C TYPE,PI
18	949-216	+KOPFSCHRAUBE M4X10 (10ST)	4		MACHI M4X10
19	938-307	SCHRAUBKLEMME 1-REIHIG DIV.TYPEN	1		PILLAR
20	311-948	SCHALTER SV8SA/SV12SF	1		SLIDE S SCREW
21	626-VVM	KUGELLAGER 626 VVM	1		BALL B 626VVC
22	340-578C		1		STATOI
22	340-578D		1		STATOI
22	340-578E		1		STATOI
22	340-578F		1		STATOI
23	322-762		1		TAB TE (BROW
24	322-763		1		INTERN (BLUE)
25	360-637C		1		ARMAT
25	360-637U		1	"INCLUD.21,26"	ARMAT 120V
25	360-637E		1		ARMAT 230V
25	360-637F		1		ARMAT
26	629-VVM	KUGELLAGER 629 VVM	1		BALL B 629VVC
27	322-757		1		BALAN
28	993-052	DICHTSCHEIBE DH22VD/DH24PD u.a.	1		DUST W
29	600-1DD	KUGELLAGER 6001 DD	1		BALL B 6001DD
30	987-169	UNTERLEGSCHLEIFE SV12SA	1		WASHE

31	993-244	STIFTSCHRAUBE M4X12 (SELBSTSICH.)	1		SEAL L HD. SCI
32	322-758		1		FAN GU
33	984-750	SCHNEIDSCHRAUBE D4X16 MIT FLANSCH	2		TAPPIN (W/FLA
34	311-946	FILZ SV8SA/SV12SF	1		FELT
35	322-760		2		PAPER
501	310-339	STAUBBEUTEL SV8SA/SV12SF	1		DUST B
501	323-004		1	"FOR USA,CAN"	DUST B
502	310-342		1	FOR FELT PAD	SANDIN 114X140 PCS.)
502	310-345	SCHLEIFPAPIER AA100 110X100 (10ST	1	"FOR PAD,PRESSURE SENSITIVE TYPE FOR FRA	SANDIN 110X100 PCS.)
			0	"BEL,SUI"	
502	310-348	SCHLEIFPAPIER AA80 110X100 (10ST)	1	"FOR PAD,QUICK STICK TYPE FOR USA,CAN"	SANDIN (B)110X PCS.)
503	310-340	LOCHPLATTE SV12SF	1	FOR NZL	PUNCH
601	310-354	SCHLEIFPLATTE (GELOCHT) SV12SF	1	"FOR FRA,BEL,SUI,USA,CAN"	FELT PA (PERFO
602	310-355	SCHLEIFPLATTE KLETT (GELOCHT)	1	"EXCEPT FOR FRA,BEL,SUI"	"PAD (P SENSIT. TYPE,PI
603	311-978	SCHLEIFPLATTE 110X100 SV12SF	1	"EXCEPT FOR USA,CAN"	"PAD (C TYPE,PI
604	310-356	SCHLEIFPLATTE (GUMMI) • E25MM	1	ROUND TYPE	"PAD(B (QUICK TYPE,PI
605	310-340	LOCHPLATTE SV12SF	1		PUNCH
606	310-341		1	"FOR FELT PAD,PAPER CLIP TYPE"	SANDIN 114X140 PCS.)
607	310-343	SCHLEIFPAPIER AA150 114X140 (10ST	1	"FOR FELT PAD,PAPER CLIP TYPE"	SANDIN 114X140 PCS.)
608	310-344	SCHLEIFPAPIER AA60 110X100 (10ST)	1	"FOR PAD,PRESSURE SENSITIVE TYPE"	SANDIN 110X100 PCS.)

609	310-346	SCHLEIFPAPIER AA150 110X100 (10ST	1	"FOR PAD,PRESSURE SENSITIVE TYPE"	SANDIN 110X100 PCS.)
610	310-347	SCHLEIFPAPIER AA60 110X100 (10ST)	1	"FOR PAD,QUICK STICK TYPE"	SANDIN (B) 110X PCS.)
611	310-349	SCHLEIFPAPIER AA100 110X100 (10ST	1	"FOR PAD,QUICK STICK TYPE"	SANDIN (B)110X PCS.)
612	310-350	SCHLEIFPAPIER AA120 110X100 (10ST	1	"FOR PAD,QUICK STICK TYPE"	SANDIN (B)110X PCS.)
613	310-351	SCHLEIFPAPIER AA150 110X100 (10ST	1	"FOR PAD,QUICK STICK TYPE"	SANDIN (B)110X PCS.)
614	310-352	SCHLEIFPAPIER AA180 110X100 (10ST	1	"FOR PAD,QUICK STICK TYPE"	SANDIN (B)110X PCS.)
615	310-353	"SCHLEIFPAPIER AA60, • E25MM"	1	"FOR PAD,QUICK STICK TYPE"	SANDIN (C) 125M PCS.)