

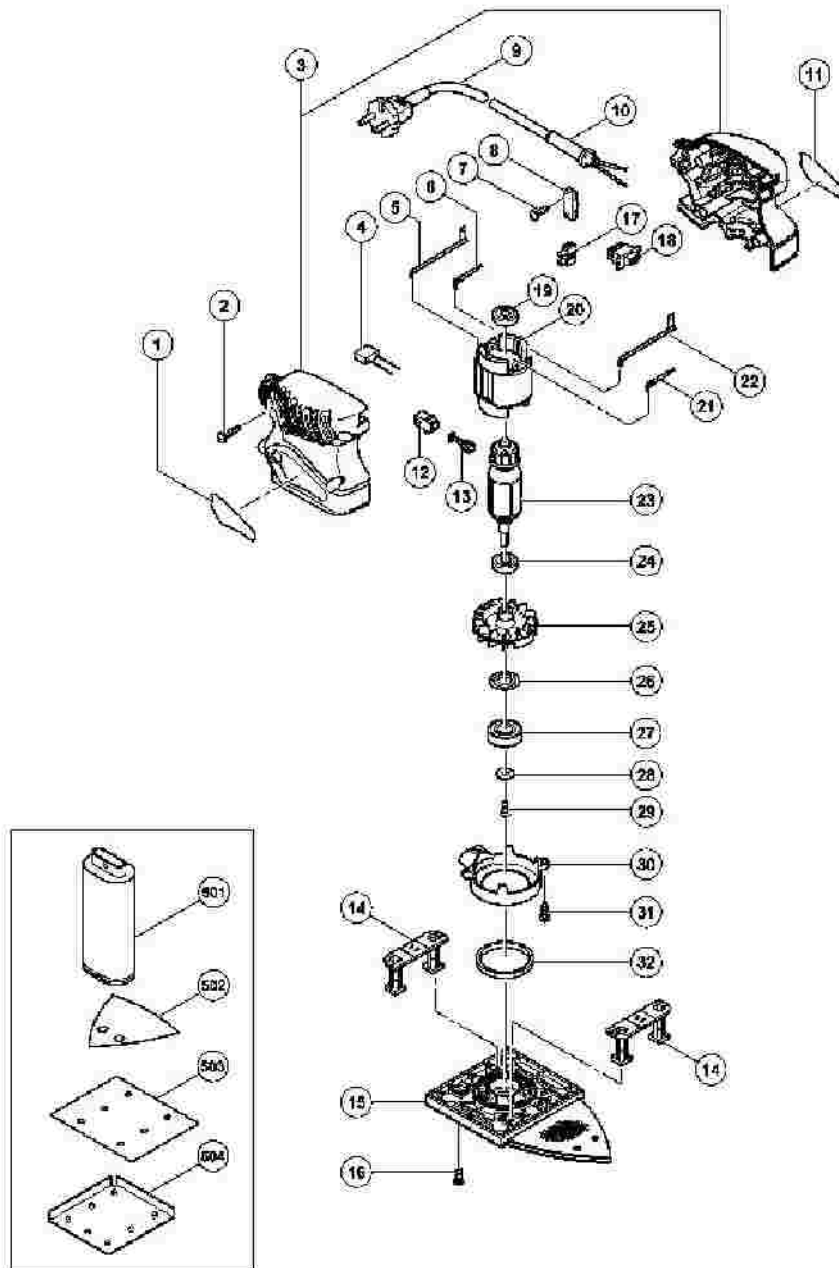
**Hitachi Power Tools**

LIST NO. 0354

**ELECTRIC TOOL PARTS LIST**

**ORBITAL SANDER**  
**Model SV 12SH**

**2005 · 1 · 15**  
**(E1)**



## SV12SH

| Pos. Nr. | Art. Nr. | Beschreibung                         | Stueck | Kommentar               | Beschreibung                                 |
|----------|----------|--------------------------------------|--------|-------------------------|--|
| 1        |          |                                      | 1      |                         | NAME PLATE                                   |
| 2        | 301-653  | SCHNEIDSCHRAUBE<br>D4X20 MIT FLANSCH | 4      |                         | TAPPING SCREW<br>(W/FLANGE)<br>D4X20 (BLACK) |
| 3        | 322-766  |                                      | 1      |                         | HOUSING (A).(B)<br>SET                       |
| 4        | 930-039  | KONDENSATOR C6U-<br>C13U u.a.        | 1      | "EXCEPT FOR<br>USA,CAN" | NOISE<br>SUPPRESSOR                          |
| 5        | 322-764  |                                      | 1      |                         | INTERNAL WIRE<br>(BROWN)                     |
| 6        | 322-761  |                                      | 1      |                         | TAB TERMINAL<br>(BLUE)                       |
| 7        | 984-750  | SCHNEIDSCHRAUBE<br>D4X16 MIT FLANSCH | 2      |                         | TAPPING SCREW<br>(W/FLANGE)<br>D4X16         |
| 8        | 937-631  | KABELKLEMME<br>DIV.TYPEN             | 1      |                         | CORD CLIP                                    |
| 9        | 500-409Z | ANSCHLUSSKABEL MIT<br>STECKER        | 1      |                         | CORD   |
| 9        | 500-435Z |                                      | 1      | FOR GBR (230V)          | CORD   |
| 9        | 500-461Z |                                      | 1      | FOR GBR (110V)          | CORD   |
| 9        | 500-240Z |                                      | 1      | "FOR USA,CAN"           | CORD   |
| 9        | 500-439Z |                                      | 1      | FOR AUS                 | CORD   |
| 10       | 953-327  | KABELKNICKSCHUTZ<br>D8.8 DIV.TYPEN   | 1      |                         | CORD ARMOR D8.8                              |
| 11       |          |                                      | 1      |                         | HITACHI LABEL                                |
| 12       | 930-483  | KOHLLENHALTER<br>DW15Y/W6VA1 u.a.    | 2      |                         | BRUSH HOLDER                                 |
| 13       | 999-041  | KOHLLENBÜRSTEN<br>(PAAR)             | 2      |                         | CARBON BRUSH (1<br>PAIR)                     |
| 14       | 322-756  |                                      | 2      |                         | LEG  |
| 15       | 324-141  |                                      | 1      |                         | BASE   |
| 16       | 324-082  |                                      | 4      |                         | SEAL LOCK<br>SCREW M4X10                     |
| 17       | 938-307  | SCHRAUBKLEMME 1-<br>REIHIG DIV.TYPEN | 1      |                         | PILLAR TERMINAL                              |
| 18       | 311-948  | SCHALTER<br>SV8SA/SV12SF             | 1      |                         | SLIDE SWITCH (1P<br>SCREW TYPE)              |
| 19       | 626-VVM  | KUGELLAGER 626 VVM                   | 1      |                         | BALL BEARING<br>626VVC2PS2L                  |
| 20       | 340-578C |                                      | 1      |                         | STATOR 110V                                  |
| 20       | 340-578D |                                      | 1      |                         | STATOR 120V                                  |

|     |          |                                       |   |                |  |
|-----|----------|---------------------------------------|---|----------------|--|
| 20  | 340-578E |                                       | 1 |                | STATOR 220V-230V                             |
| 20  | 340-578F |                                       | 1 |                | STATOR 240V                                  |
| 21  | 322-762  |                                       | 1 |                | TAB TERMINAL<br>(BROWN)                      |
| 22  | 322-763  |                                       | 1 |                | INTERNAL WIRE<br>(BLUE)                      |
| 23  | 360-637C |                                       | 1 |                | ARMATURE 110V                                |
| 23  | 360-637U |                                       | 1 | "INCLUD.19,24" | ARMATURE ASS'Y<br>120V                       |
| 23  | 360-637E |                                       | 1 |                | ARMATURE 220V-<br>230V                       |
| 23  | 360-637F |                                       | 1 |                | ARMATURE 240V                                |
| 24  | 629-VVM  | KUGELLAGER 629 VVM                    | 1 |                | BALL BEARING<br>629VVC2PS2L                  |
| 25  | 324-140  |                                       | 1 |                | BALANCE FAN                                  |
| 26  | 993-052  | DICHTSCHEIBE<br>DH22VD/DH24PD u.a.    | 1 |                | DUST WASHER                                  |
| 27  | 600-1DD  | KUGELLAGER 6001 DD                    | 1 |                | BALL BEARING<br>6001DDCMPS2L                 |
| 28  | 987-169  | UNTERLEGSCHIEBE<br>SV12SA             | 1 |                | WASHER                                       |
| 29  | 993-244  | STIFTSCHRAUBE M4X12<br>(SELBSTSICH.)  | 1 |                | SEAL LOCK FLAT<br>HD. SCREW M4X12            |
| 30  | 322-758  |                                       | 1 |                | FAN GUIDE                                    |
| 31  | 984-750  | SCHNEIDSCHRAUBE<br>D4X16 MIT FLANSCH  | 2 |                | TAPPING SCREW<br>(W/FLANGE)<br>D4X16         |
| 32  | 311-946  | FILZ SV8SA/SV12SF                     | 1 |                | FELT   |
| 501 | 310-339  | STAUBBEUTEL<br>SV8SA/SV12SF           | 1 |                | DUST BAG                                     |
| 501 | 323-004  |                                       | 1 | "FOR USA,CAN"  | DUST BAG                                     |
| 502 | 323-969  |                                       | 2 |                | SANDING PAPERS<br>96X96 AA100 (10<br>PCS.)   |
| 503 | 310-345  | SCHLEIFPAPIER AA100<br>110X100 (10ST) | 1 |                | SANDING PAPERS<br>110X100 AA100 (10<br>PCS.) |
| 504 | 310-340  | LOCHPLATTE SV12SF                     | 1 | FOR GBR        | PUNCH PLATE                                  |
| 601 | 310-340  | LOCHPLATTE SV12SF                     | 1 |                | PUNCH PLATE                                  |
| 602 | 323-968  |                                       | 1 |                | SANDING PAPERS<br>96X96 AA60 (10<br>PCS.)    |
| 603 | 323-970  |                                       | 1 |                | SANDING PAPERS<br>96X96 AA150 (10<br>PCS.)   |
|     |          |                                       |   |                | SANDING PAPERS                               |

|     |         |                                       |   |  |  |
|-----|---------|---------------------------------------|---|--|--|
| 604 | 310-344 | SCHLEIFPAPIER AA60<br>110X100 (10ST)  | 1 |  | 110X100 AA60 (10<br>PCS.)                    |
| 605 | 310-346 | SCHLEIFPAPIER AA150<br>110X100 (10ST) | 1 |  | SANDING PAPERS<br>110X100 AA150 (10<br>PCS.) |