

B12

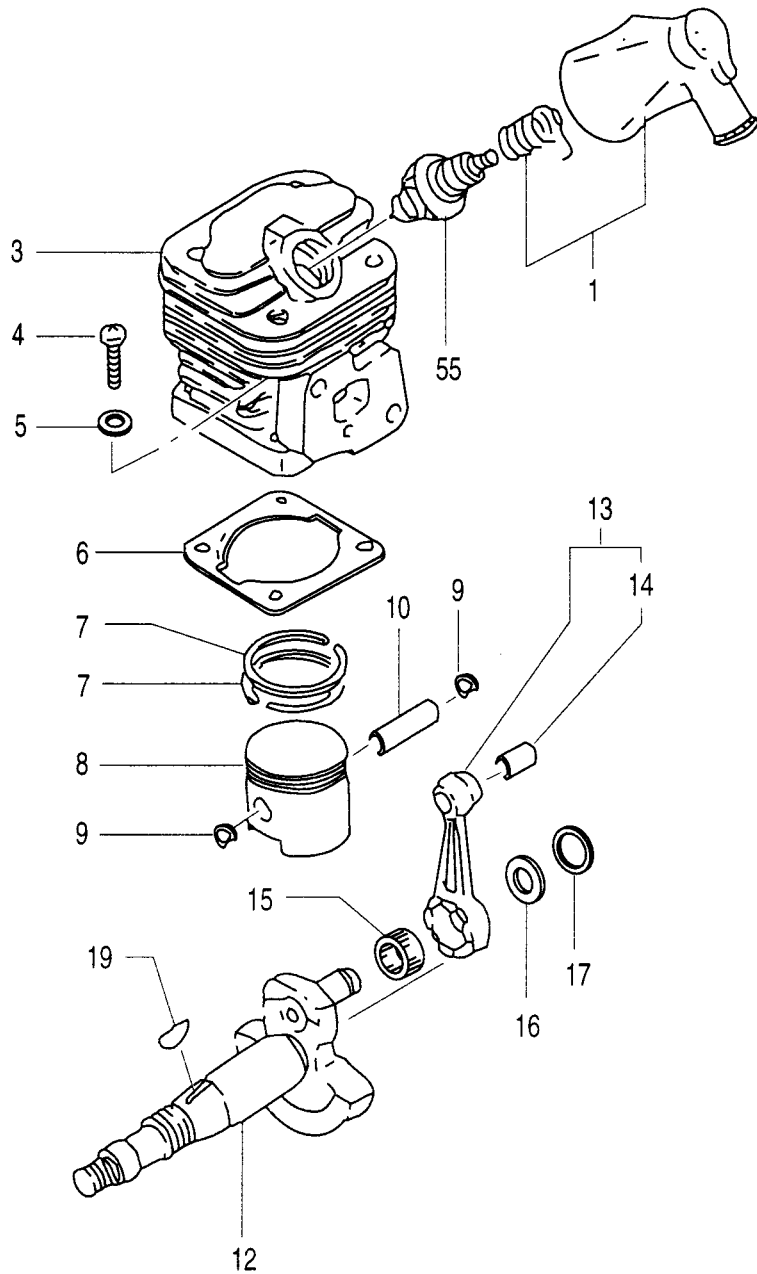
Tanaka

AST-250/SDH

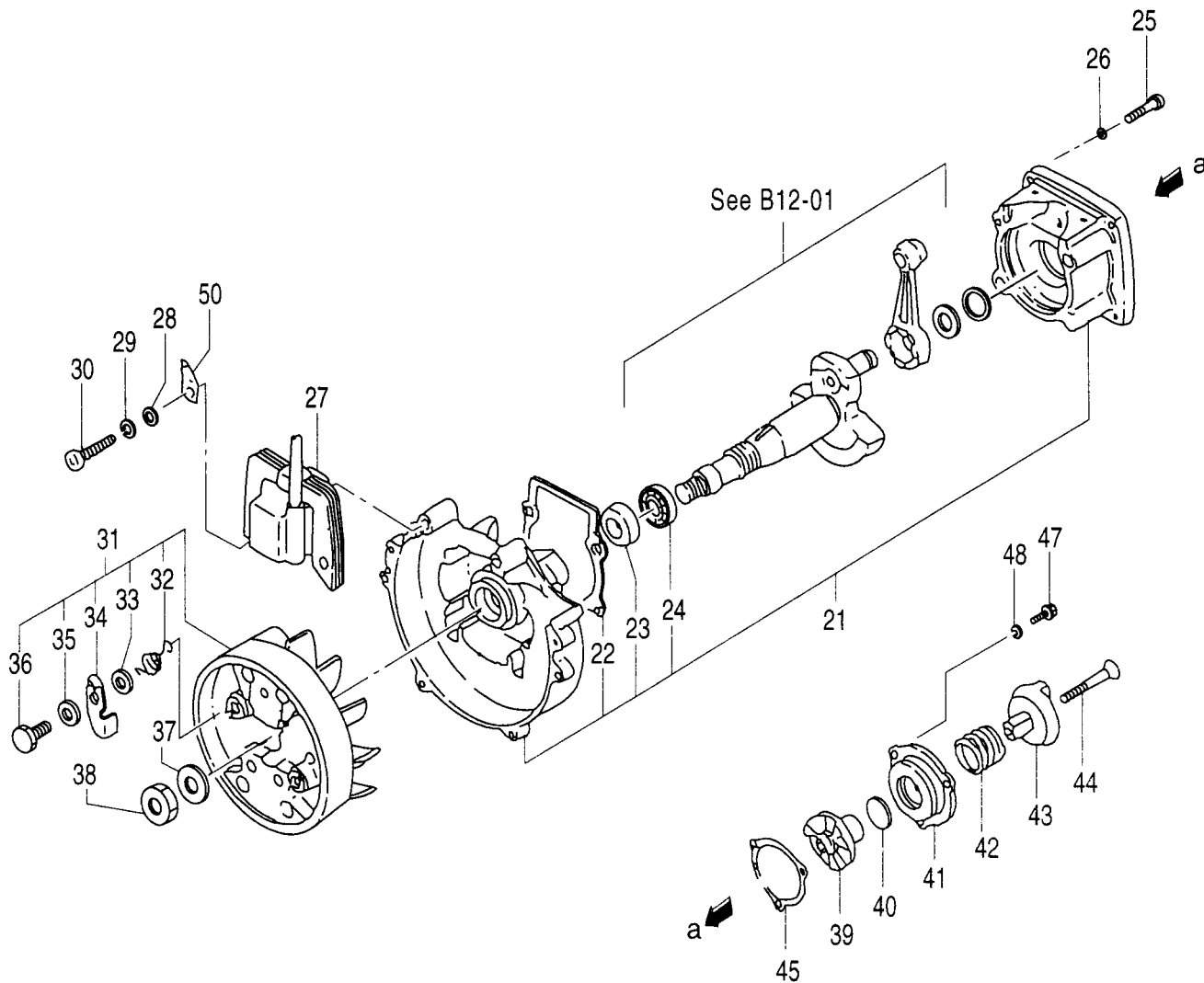
Serial No.-R074550

B12-01

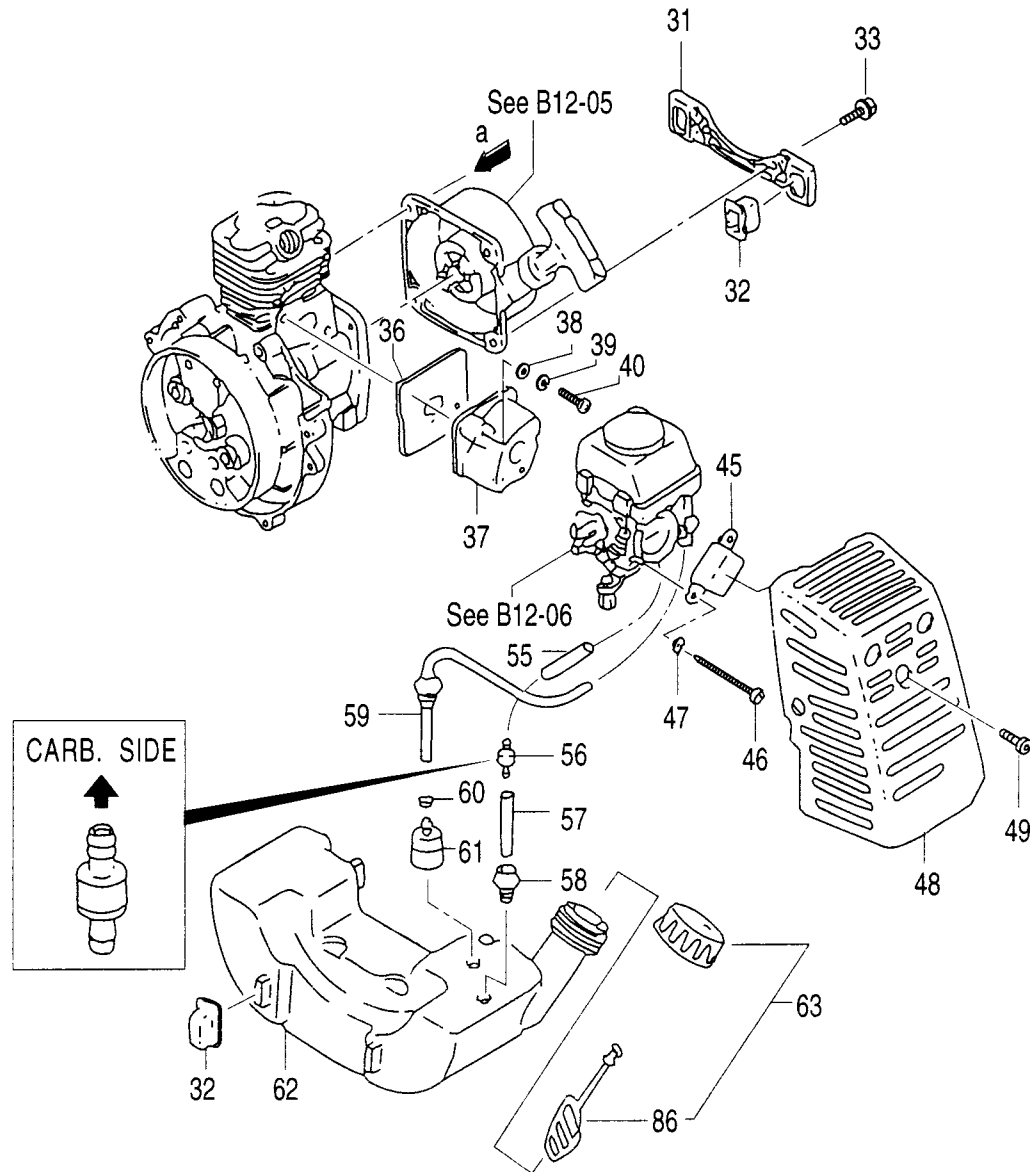
AST-250/SDH CYLINDER / PISTON / CRANK SHAFT



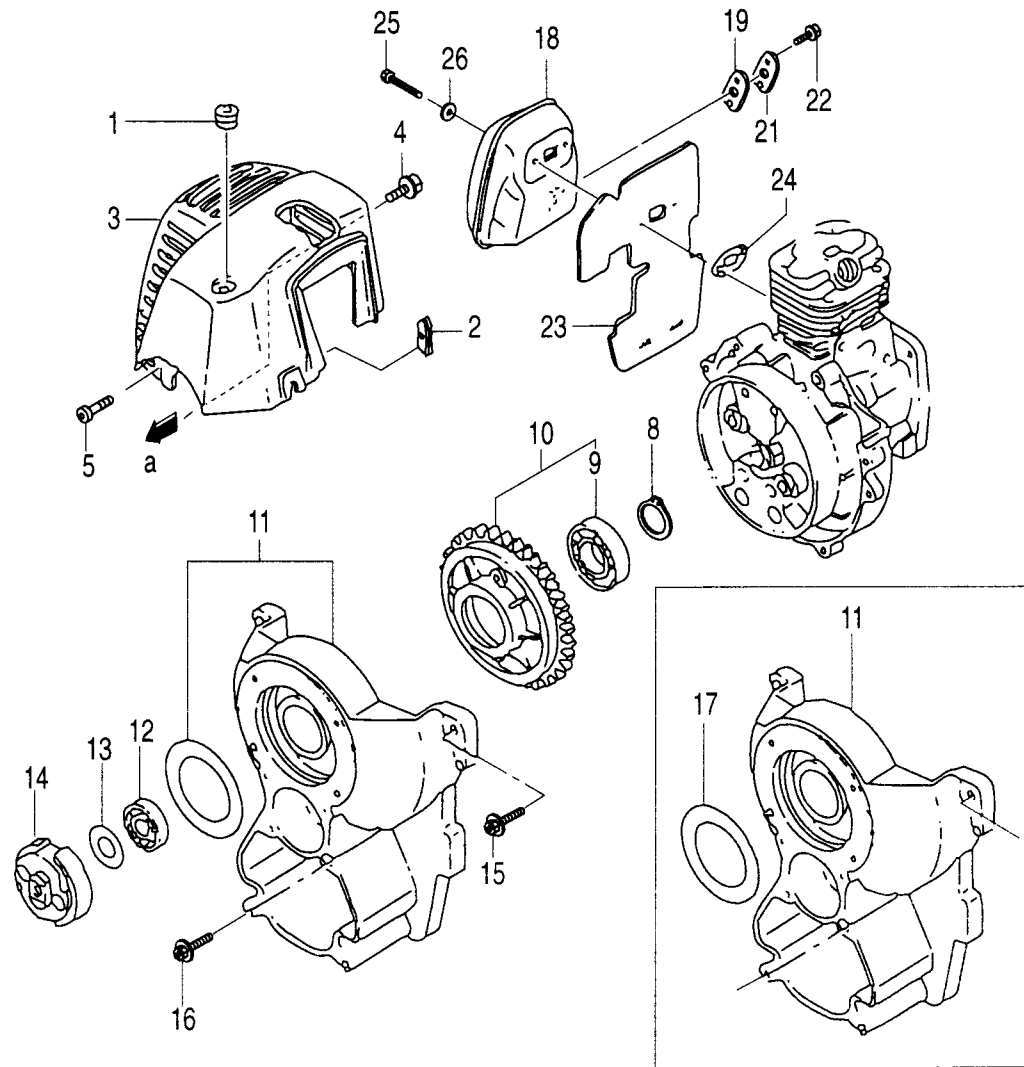
REF. NUMBER	PARTS NUMBER	Q'TY	SERIAL NUMBER
001	157-0097A-90	1	
003	002-00980-21	1	
004	990-11050-181	4	
005	992-10050-012	4	
006	017-00980-20	1	
007	041-01601-20	2	
008	031-01601-20	1	
009	039-01620-20	2	
010	037-01601-20	1	
012	046-0634F-82	1	
013	061-0631A-80	1	
014	999-62081-225	1	
015	999-62101-432	1	
016	801-10205-20	1	
017	993-50010-002	1	
019	068-10100-20	1	
055	018-11660-21	1	- R023580
055	018-06540-21	1	R023581-



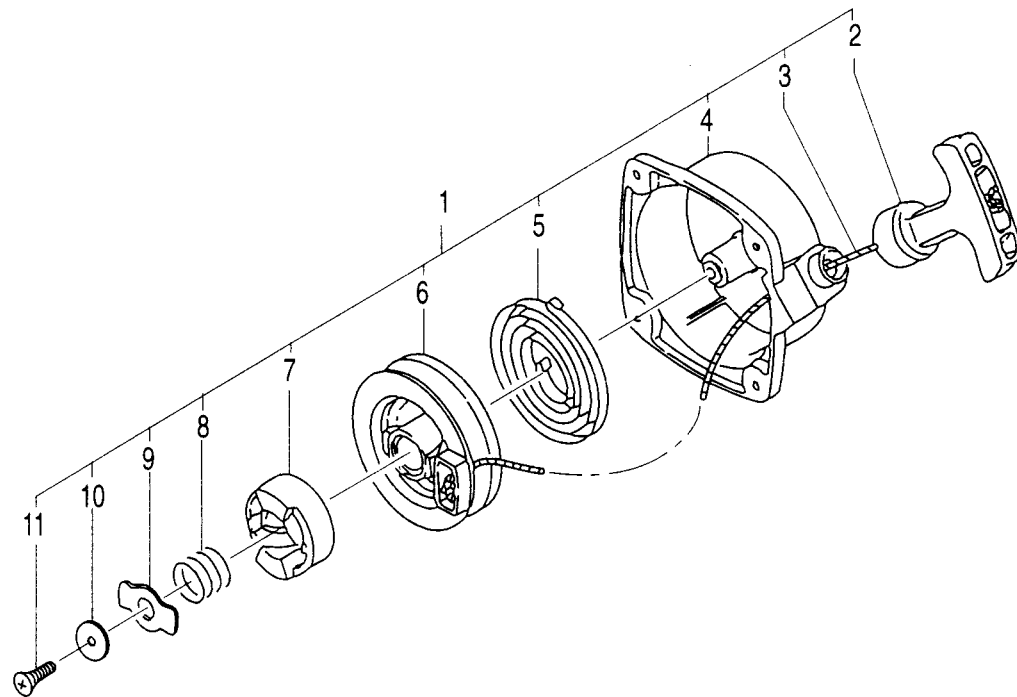
REF. NUMBER	PARTS NUMBER	Q'TY	SERIAL NUMBER
021	072-0648A-90	1	
022	090-06097-20	1	
023	999-66152-500	1	
024	999-61600-200	1	
025	990-11050-251	4	
026	992-10050-012	4	
027	167-20508-80	1	
028	992-00050-011	2	
029	992-10050-012	2	
030	990-11050-201	2	
031	155-20519-90	1	
032	790-0631P-20	2	
033	786-00601-20	2	
034	788-06460-20	2	
035	822-00601-20	2	
036	793-0636T-20	2	
037	992-00120-011	1	
038	991-11120-011	1	
039	773-0634F-21	1	
040	999-67014-000	1	
041	771-0634F-20	1	
042	761-0634F-21	1	
043	798-0634F-21	1	
044	990-12050-281	1	
045	317-0634F-20	1	
047	990-51050-123	3	
048	992-10050-062	3	
050	205-0634F-20	1	



REF. NUMBER	PARTS NUMBER	Q'TY	SERIAL NUMBER
031	653-0631A-20	1	
032	655-00940-20	4	
033	994-15040-222	2	
036	403-0631A-20	1	
037	404-0631P-80	1	
038	992-00050-011	2	
039	992-10050-012	2	
040	990-11050-221	2	
045	476-0631P-20	1	
046	990-11040-551	2	
047	992-10040-012	2	
048	452-0631P-20	1	
049	380-0631A-20	1	
055	700-03005-03	1	
056	586-25108-91	1	
057	700-03005-06	1	
058	222-06300-20	1	
059	223-0162V-90	1	
060	680-00731-20	1	
061	675-04042-80	1	
062	591-0633R-21	1	
063	595-0423Q-90	1	
086	626-32550-20	1	



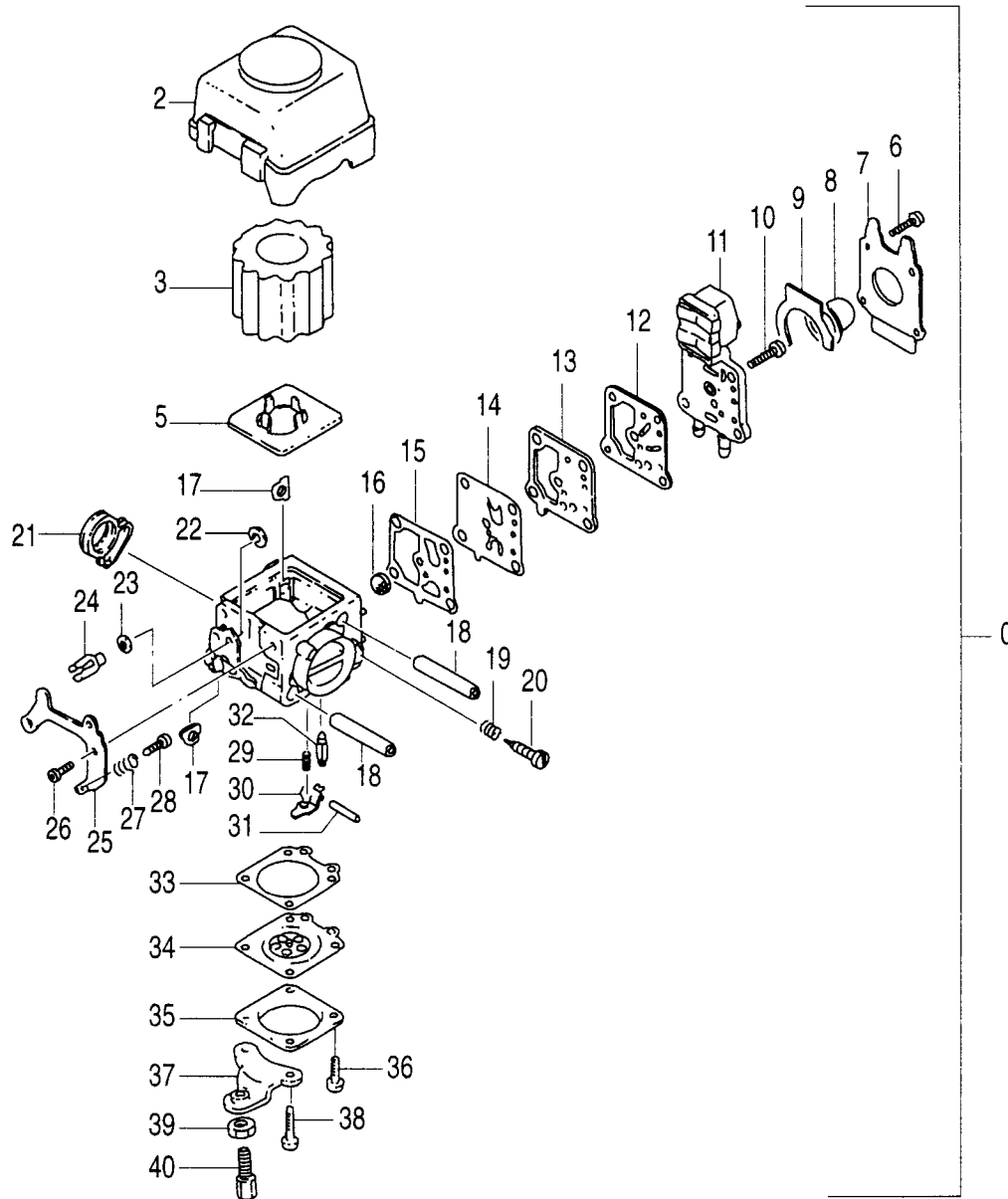
REF. NUMBER	PARTS NUMBER	Q'TY	SERIAL NUMBER
001	202-01003-20	1	- M003000
002	203-0631A-20	1	
003	738-0631A-20	1	
004	994-15040-222	2	
005	990-72045-164	2	
008	993-50017-002	1	
009	999-61600-301	1	
010	774-0634F-80	1	
011	112-0634F-82	1	
012	999-61600-001	1	
013	173-35500-20	V	
013	174-35500-20	V	
013	175-35500-20	V	
014	277-0631Q-90	1	
015	994-16050-202	1	
016	994-16050-422	3	
017	220-06460-20	1	
018	706-0631A-80	1	
019	751-04200-20	1	
021	734-0631A-20	1	
022	994-14040-081	2	
023	133-0631A-20	1	
024	737-06100-21	1	
025	990-51050-503	2	
026	992-01050-011	2	

B12-05**AST-250/SDH RECOIL STARTER**

REF. NUMBER	PARTS NUMBER	Q'TY	SERIAL NUMBER
001	762-0634F-91	1	
002	785-00940-20	1	
003	783-0634F-20	1	
004	772-0634F-81	1	
005	780-0634F-20	1	
006	774-0636T-20	1	
007	788-0636T-20	1	
008	801-0636T-20	1	
009	837-0634F-20	1	
010	822-0636T-20	1	
011	839-0636T-20	1	

B12-06

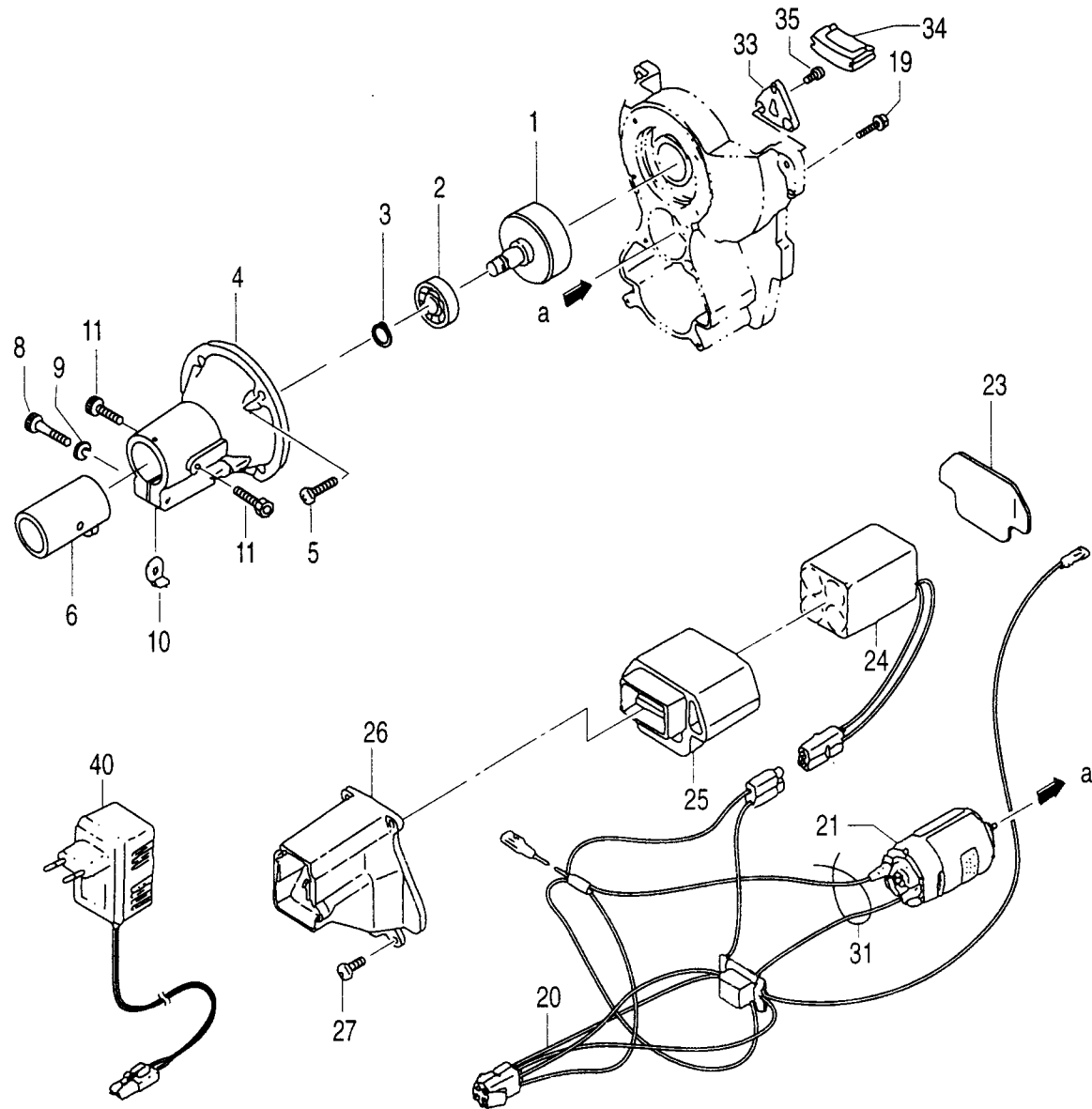
AST-250/SDH CARBURETOR



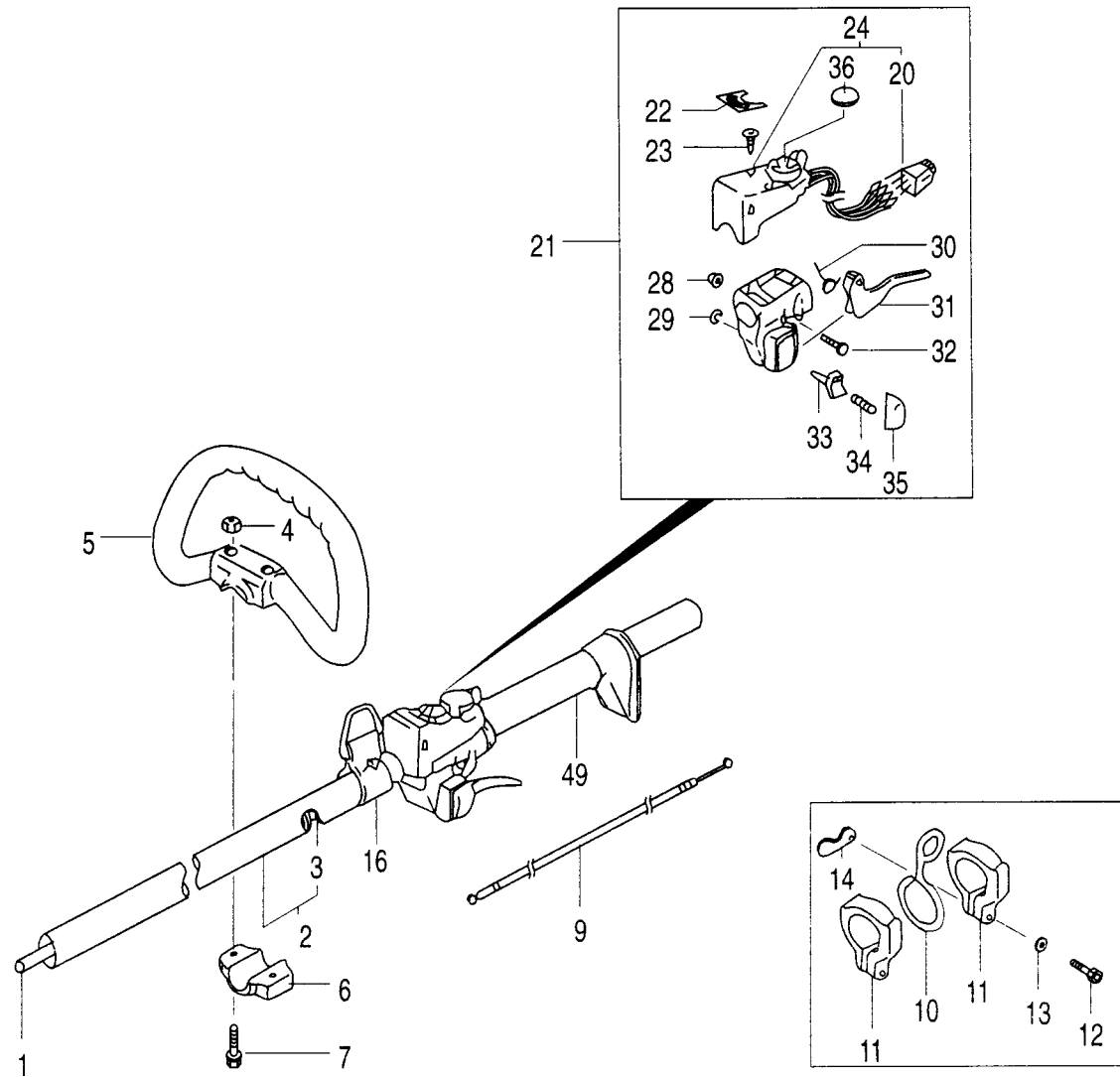
REF. NUMBER	PARTS NUMBER	Q'TY	SERIAL NUMBER
000	455-25150-90	1	
002	424-0631P-20	1	
003	421-0631P-20	1	
005	425-0631P-20	1	
006	548-25108-20	4	
007	452-25108-20	1	
008	447-25108-20	1	
009	635-25108-20	1	
010	548-25108-20	1	
011	575-25108-80	1	
012	522-25108-20	1	
013	523-25108-20	1	
014	576-25108-20	1	
015	577-25108-20	1	
016	578-25007-20	1	
017	636-25108-20	2	
018	437-25108-20	2	
019	485-25108-20	1	
020	460-25108-20	1	
021	449-0631P-20	1	
022	489-25100-20	1	
023	549-25100-20	1	
024	539-25101-20	1	
025	544-25108-20	1	
026	514-25108-20	2	
027	463-25100-20	1	
028	462-25100-20	1	
029	477-25013-20	1	
030	473-25001-20	1	
031	605-25001-20	1	
032	603-25012-20	1	
033	475-25001-20	1	
034	474-25001-80	1	
035	476-25004-20	1	
036	514-25105-20	2	
037	614-25108-20	1	
038	514-25108-20	2	
039	613-25100-20	1	
040	614-25137-20	1	

B12-07

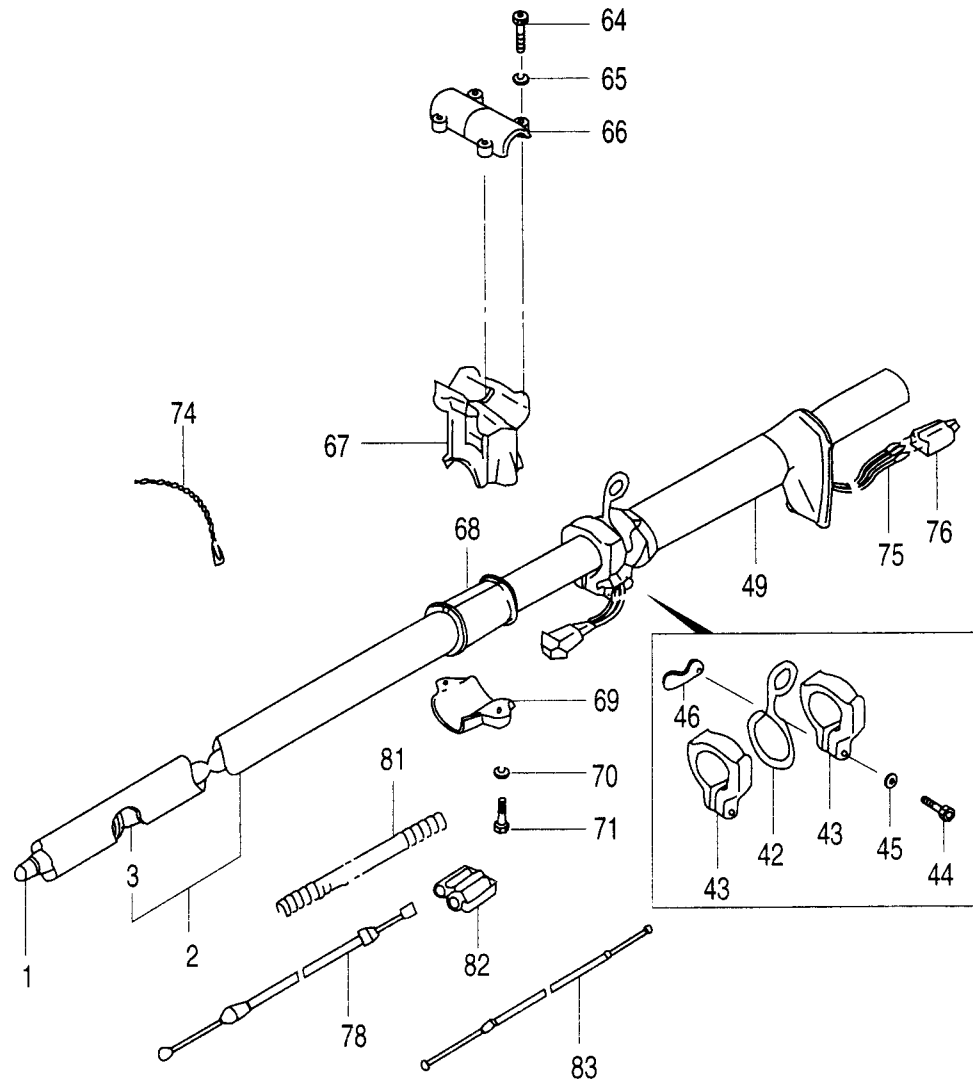
AST-250/SDH CLUTCH CASE



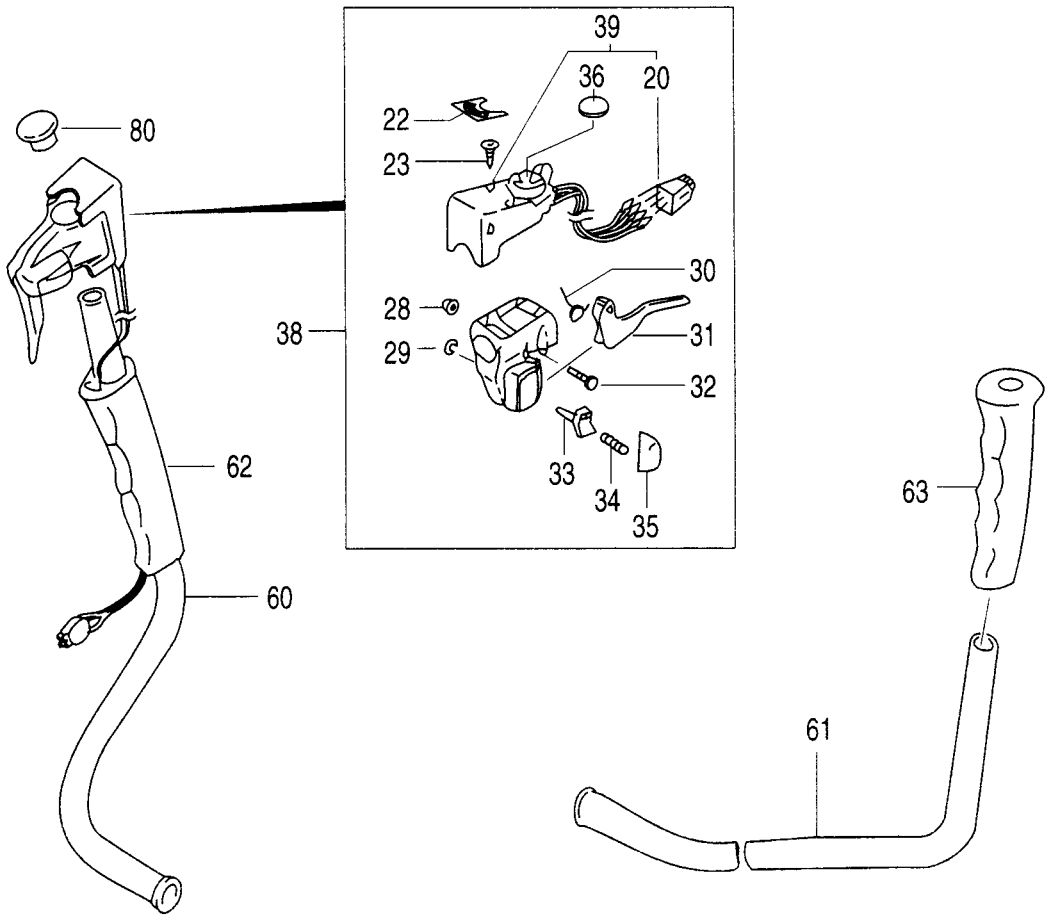
REF. NUMBER	PARTS NUMBER	Q'TY	SERIAL NUMBER
001	289-06460-80	1	
002	999-61620-101	1	
003	993-50012-002	1	
004	331-0636J-22	1	
005	994-14050-162	4	
006	599-0636J-21	1	
008	990-51050-253	1	
009	992-10050-062	1	
010	249-0630G-20	1	
011	990-51050-153	2	
019	990-54030-085	2	
020	655-37551-80	1	
021	306-0648A-81	1	
023	599-0634F-20	1	
024	660-37551-90	1	
025	152-0634F-20	1	
026	136-0634F-20	1	
027	990-72045-164	4	
031	266-37600-20	1	
033	670-37623-20	1	
034	129-0636T-20	1	
035	990-72045-164	2	
040	663-37618-90	1	



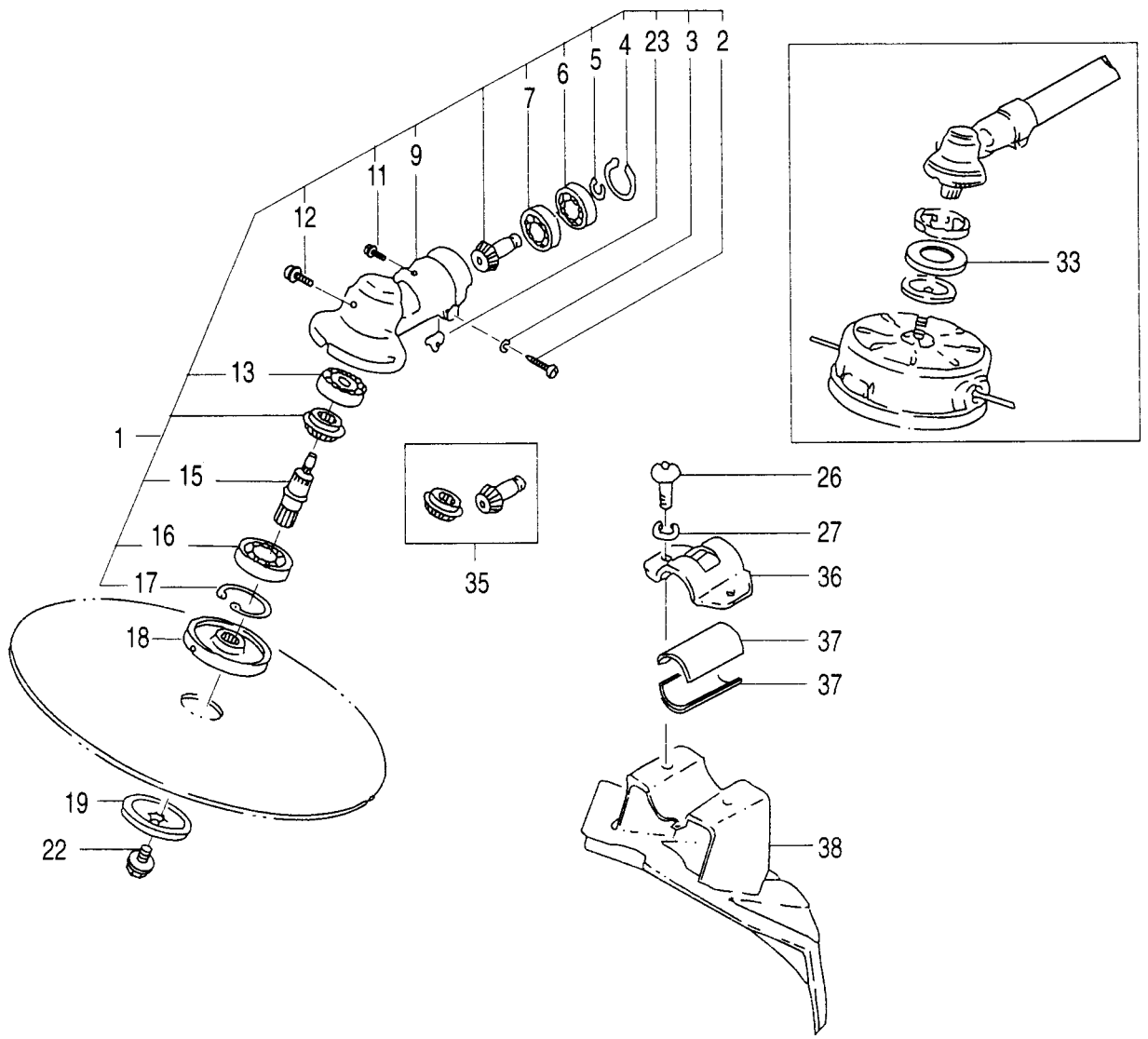
REF. NUMBER	PARTS NUMBER	Q'TY	SERIAL NUMBER
001	343-37618-20	1	
002	341-37601-81	1	
003	347-37601-90	5	
004	991-01060-041	2	
005	500-37300-20	1	
006	506-37300-20	1	
007	994-23060-432	2	
009	885-0631S-80	1	
010	335-37307-20	1	-M170680
011	334-37304-21	2	-M170680
012	990-51050-303	2	-M170680
013	992-01050-061	2	-M170680
014	315-37304-20	1	-M170680
016	335-37302-90	1	M170681-
020	656-37600-20	1	
021	870-37600-91	1	
022	169-37600-20	1	
023	993-42030-251	2	
024	156-37600-91	1	
028	991-86050-003	1	
029	993-55060-002	1	
030	832-37101-20	1	
031	880-37101-20	1	
032	994-31050-253	1	
033	853-37101-20	1	
034	958-37101-20	1	
035	956-37101-20	1	
036	168-37623-20	1	



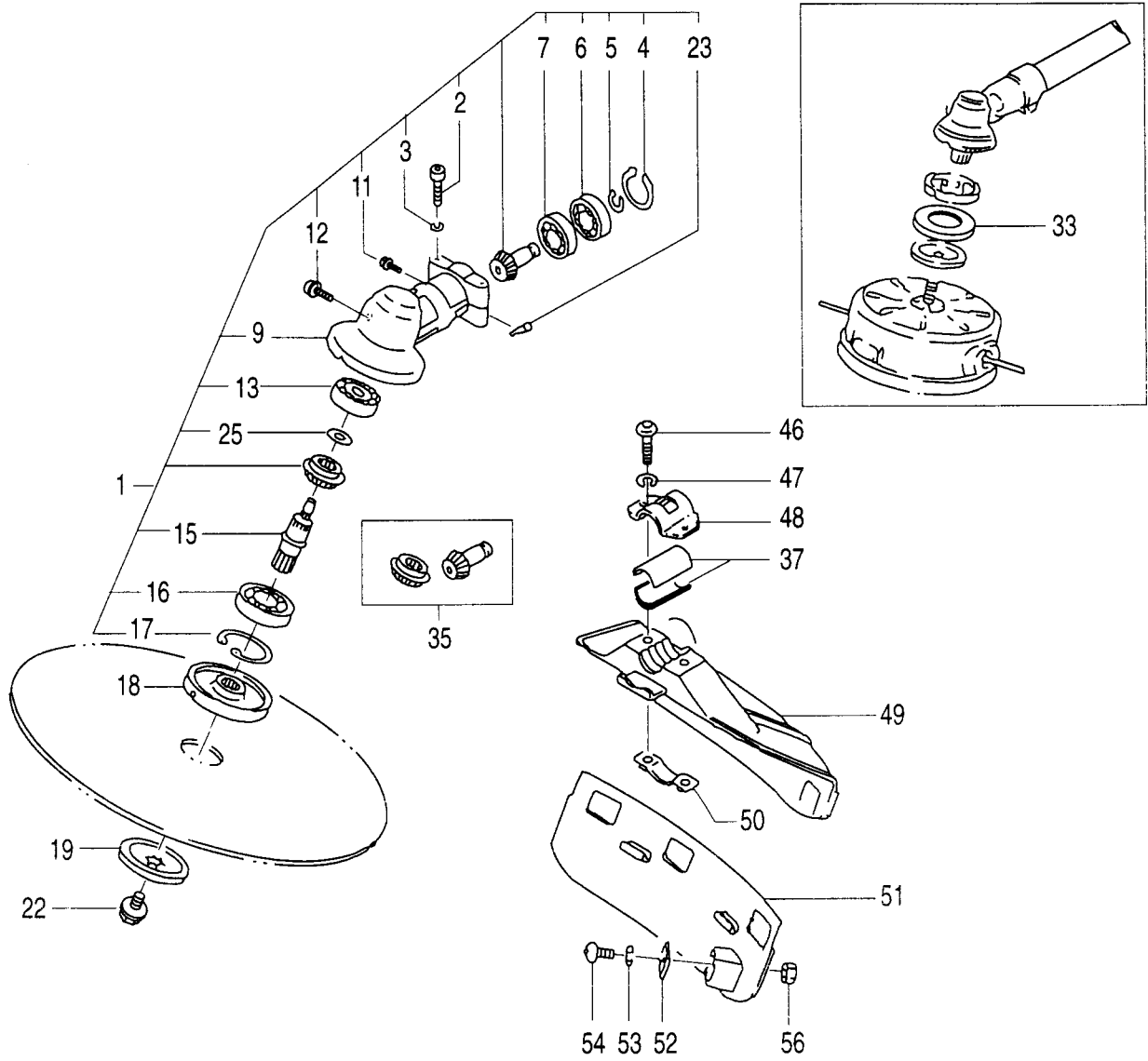
REF. NUMBER	PARTS NUMBER	Q'TY	SERIAL NUMBER
001	343-37618-20	1	
002	341-37601-81	1	
003	347-37601-90	5	
042	335-37307-20	1	
043	334-37304-21	2	
044	990-51050-303	2	
045	992-01050-061	2	
046	315-37304-20	1	
049	504-37603-20	1	
064	990-51050-253	4	
065	992-10050-062	4	
066	506-37304-21	1	
067	507-37304-20	1	
068	510-37304-20	1	
069	508-37304-21	1	
070	992-10060-062	2	
071	990-53060-253	2	
074	460-33111-90	1	
075	672-37609-80	1	
076	656-37600-20	1	
078	885-37609-80	1	
081	164-13045-01	1	
082	888-04030-20	1	
083	885-0631W-81	1	



REF. NUMBER	PARTS NUMBER	Q'TY	SERIAL NUMBER
020	656-37600-20	1	
022	169-37600-20	1	
023	993-42030-251	2	
028	991-86050-003	1	
029	993-55060-002	1	
030	832-37101-20	1	
031	880-37101-20	1	
032	994-31050-253	1	
033	853-37101-20	1	
034	958-37101-20	1	
035	956-37101-20	1	
036	168-37623-20	1	
038	870-37609-91	1	
039	156-37609-91	1	
060	501-33674-20	1	
061	502-33674-21	1	
062	503-37113-20	1	
063	165-33130-20	1	
080	499-37100-20	1	



REF. NUMBER	PARTS NUMBER	Q'TY	SERIAL NUMBER
001	300-37295-90	1	
002	990-51050-253	1	- Q002000
003	992-10050-062	1	- Q002000
004	993-53022-002	1	- Q002000
005	993-50010-002	1	- Q002000
006	999-61690-001	1	- Q002000
007	999-61690-000	1	- Q002000
009	300-37307-20	1	- Q002000
011	990-51050-103	1	- Q002000
012	990-14080-104	1	- Q002000
013	999-61626-000	1	- Q002000
015	304-37307-20	1	- Q002000
016	999-61600-104	1	- Q002000
017	993-51028-002	1	- Q002000
018	310-37623-20	1	
022	312-37623-20	1	- M218333
022	312-33386-20	1	M218334-
023	324-37350-20	1	
026	990-53060-153	2	- N004670
026	990-23060-161	2	N004671-
027	992-10060-062	2	- N004670
027	992-10060-012	2	N004671-
033	307-37307-20	1	
035	301-37300-01	1	- Q002000
036	442-33671-20	1	
037	444-37609-20	2	
038	441-37003-80	1	



REF. NUMBER	PARTS NUMBER	Q'TY	SERIAL NUMBER
001	300-37295-90	1	
002	990-51050-253	2	
003	992-10050-062	2	
004	993-51024-002	1	
005	993-50009-002	1	
006	999-61609-002	1	
007	999-61609-000	1	
009	300-33850-20	1	
011	990-51050-103	1	
012	994-23080-100	1	
013	999-61628-000	1	
015	304-37134-20	1	
016	999-61620-103	1	
017	993-51032-002	1	
018	310-37623-20	1	
019	311-37300-20	1	
022	312-33386-20	1	
023	324-37350-20	1	
025	067-37134-20	1	
033	307-37307-20	1	
035	301-37134-00	1	
037	444-37609-20	2	
046	990-53060-253	2	
047	992-10060-062	2	
048	442-33699-20	1	
049	441-37380-20	1	
050	445-37380-20	1	
051	447-37380-20	1	
052	797-37380-21	1	
053	992-10050-012	1	
054	990-11050-121	1	
056	991-01050-011	1	

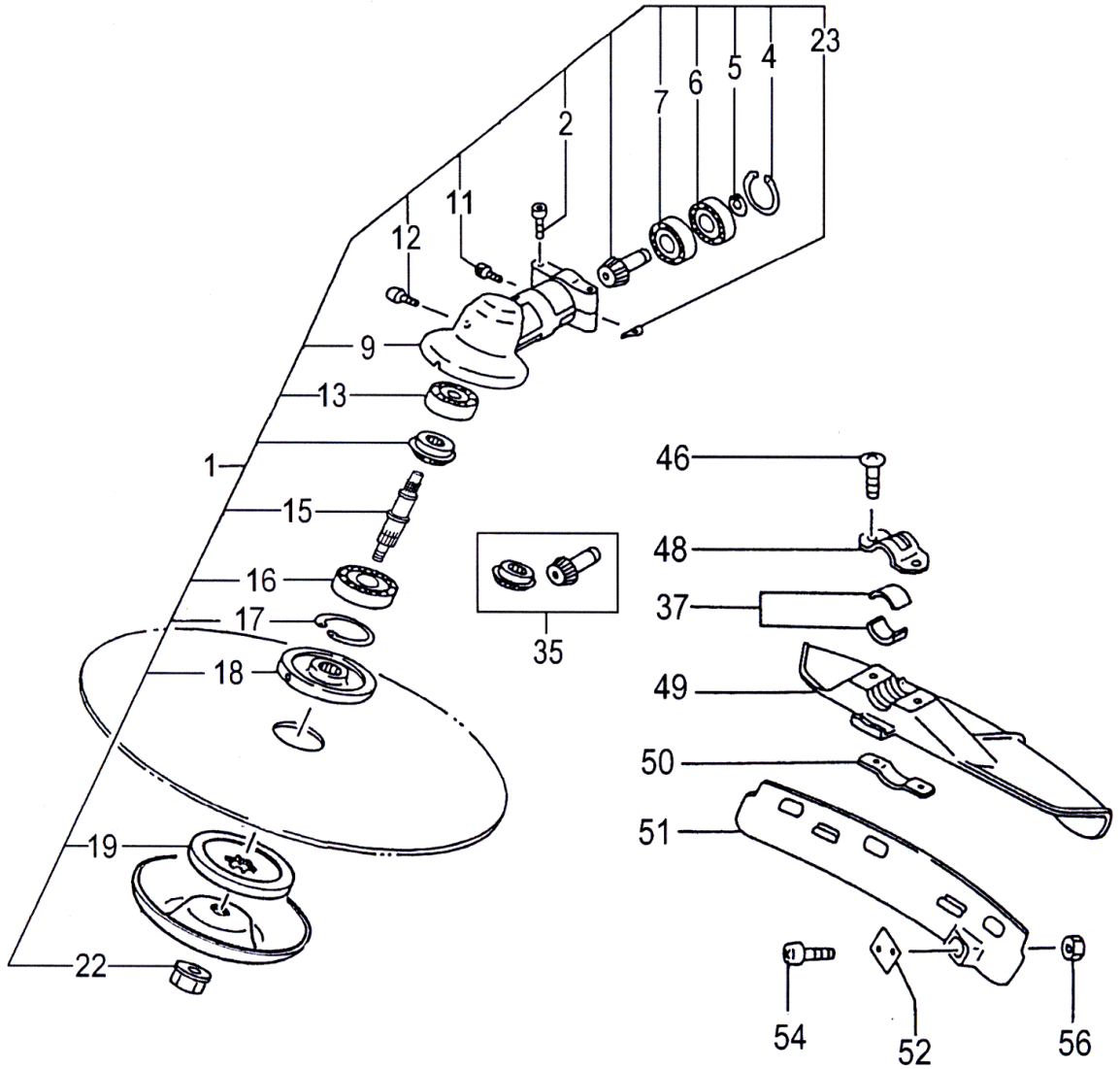
Brush Cutters

AST-250/SDH

GEAR CASE
SERIAL NO.W004211-

B1213

B1213



Brush Cutters

AST-250/SDH

GEAR CASE
SERIAL NO.W004211-

B1213

REF.No.	PARTS No.	DESCRIPTION	Q'ty	SERIAL No.
001	300-38150-90	GEAR CASE ASS'Y 24	1	
002	994-61050-254	HEX. HOLE BOLT 5X25	2	
004	993-51022-002	STOP RING C-22, INNE	1	
005	993-57010-002	STOP RING OUTER 10	1	
006	999-61609-002	BALL BEARING 609Z S	1	
007	999-61690-000	BALL BEARING 6900, 2	1	
009	300-38150-20	GEAR CASE 24 DIA.	1	
011	994-61050-124	HEX. HOLE BOLT 5X12	1	
012	316-38150-20	OILING BOLT	1	
013	999-61609-000	BALL BEARING 609	1	
015	304-38150-20	GEAR SHAFT	1	
016	999-61620-103	BALL BEARING 6201D,	1	
017	993-51032-002	STOP RING C-32, INNE	1	
018	310-38150-20	CUTTER HOLDER	1	
019	311-38150-20	CUTTER HOLDER	1	
022	313-38150-20	FIXING NUT M10X1.25	1	
023	324-38150-20	GEAR CASE WASHER	1	
035	301-38150-00	GEAR PINION SET SPA	1	
037	444-37609-20	BRACKET SPACER	2	
046	994-81060-254	HEX. HOLE BUTTON S	2	
048	442-33699-20	COVER BRACKET, 26	1	
049	441-37380-20	SAFETY COVER, CE	1	
050	445-37380-20	SAFETY COVER HOLD	1	
051	447-37380-20	COVER GUARD	1	
052	797-37380-21	KNIFE	1	
054	994-14050-121	SCREW 5X12/S	1	
056	991-01050-011	HEX. NUT 5	1	