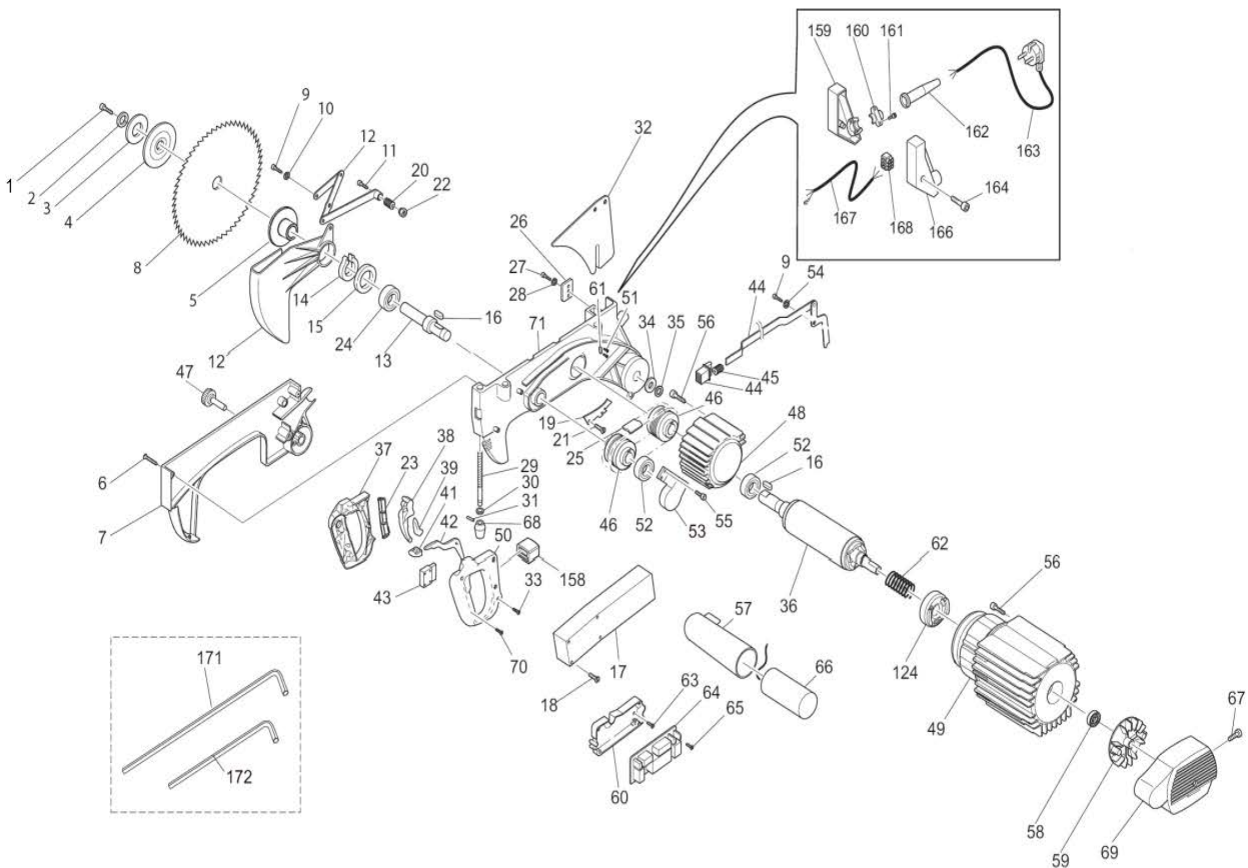


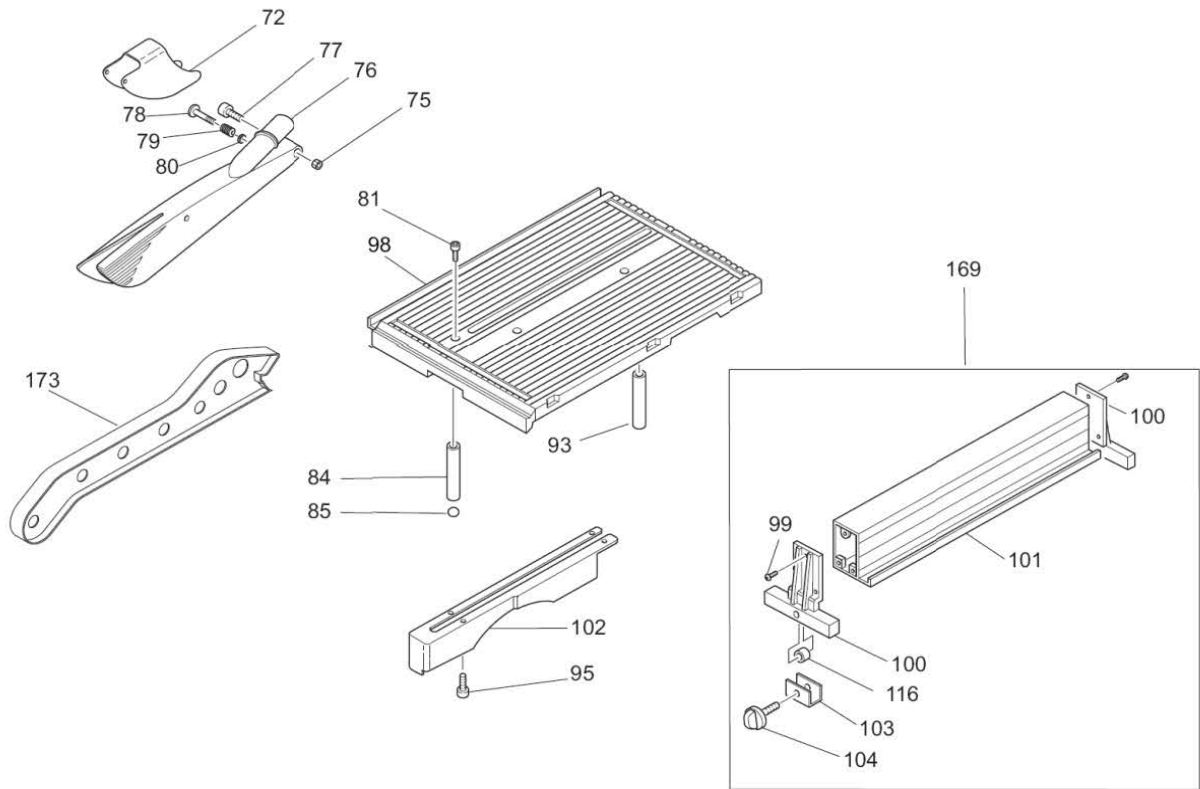
## ELECTRIC TOOL PARTS LIST

■ 305mm TABLE TOP MITER SAW 2011 · 5 · 5  
Model C 12YA (I1)

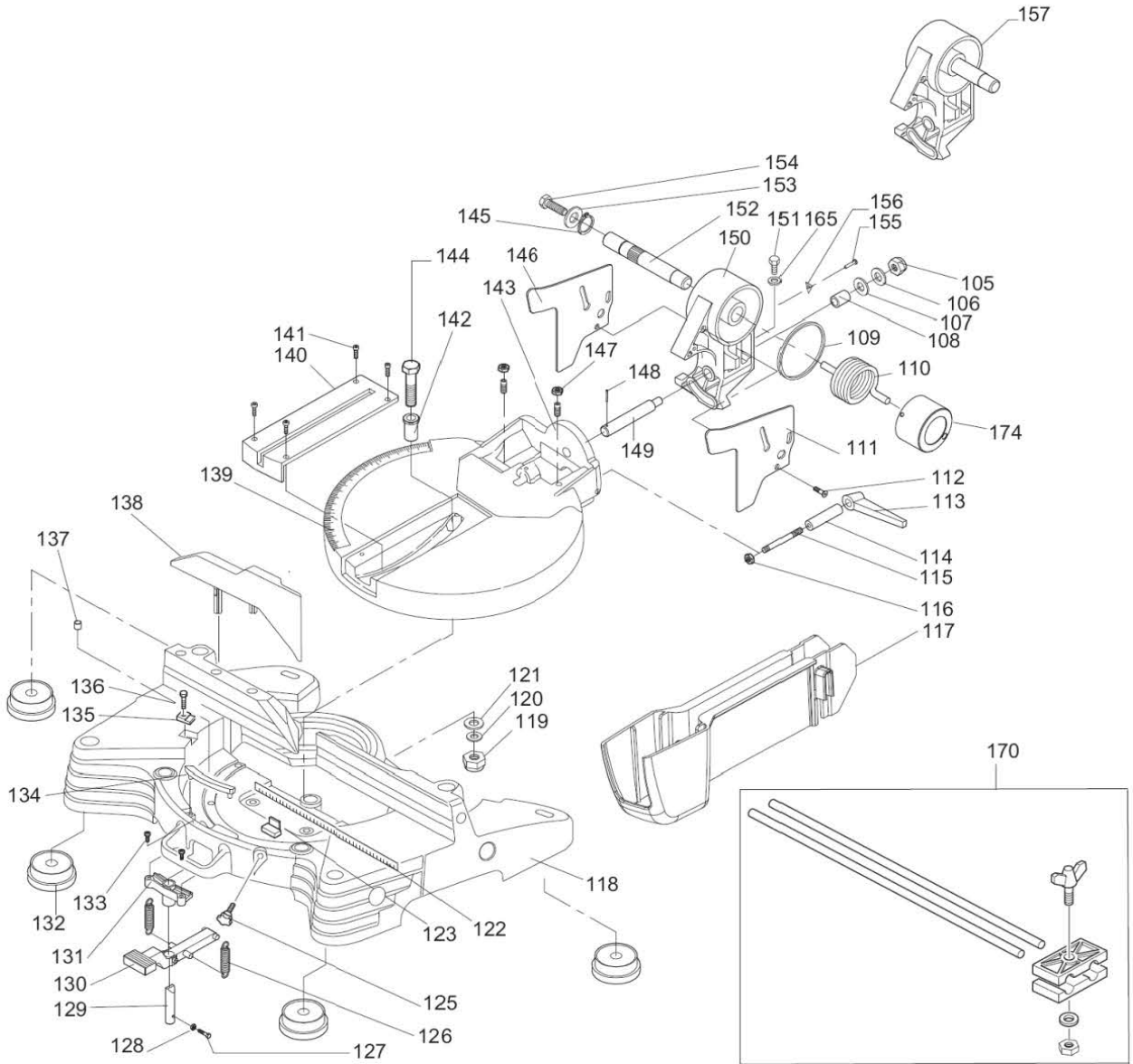
### NR.1



# NR.2



# NR.3



## PARTS

C12YA

| ITEM NO. | CODE NO. | DESCRIPTION                | NO. USED | REMARK |
|----------|----------|----------------------------|----------|--------|
| 1        | 332226   | SCREW                      | 1        |        |
| 2        | 332237   | WASHER                     | 1        |        |
| 3        | 332248   | WASHER                     | 1        |        |
| 4        | 332268   | WHEEL FLANGE               | 1        |        |
| 5        | 332269   | INTEGRATED BLADE FLANGE    | 1        |        |
| 6        | 332275   | SCREW                      | 5        |        |
| 7        | 332290   | LEFT SAW COVER             | 1        |        |
| 9        | 332295   | SCREW                      | 2        |        |
| 10       | 332227   | SPECIAL NUT                | 1        |        |
| 11       | 332228   | PROTECTION PIN             | 1        |        |
| 12       | 332229   | LEVER AND PROTECTION GROUP | 1        |        |
| 13       | 332230   | BLADE SHAFT                | 1        |        |
| 14       | 332231   | SNAP RING                  | 1        |        |
| 15       | 332232   | SNAP RING                  | 1        |        |
| 16       | 332233   | FEATHER                    | 2        |        |
| 17       | 332234   | BOX COVER                  | 1        |        |
| 18       | 332235   | SCREW                      | 4        |        |
| 19       | 332236   | CABLE PROTECTION           | 1        |        |
| 20       | 332238   | PROTECTION SPRING          | 1        |        |
| 21       | 332239   | SCREW                      | 2        |        |
| 22       | 332240   | SPECIAL NUT                | 1        |        |
| 23       | 332399   | HANDLE SUPPORT             | 1        |        |
| 24       | 332242   | BALL BEARING               | 1        |        |
| 25       | 332243   | BELT                       | 1        |        |
| 26       | 332244   | RIVING KNIFE PLATE         | 1        |        |
| 27       | 332245   | SCREW                      | 1        |        |
| 28       | 332246   | WASHER                     | 1        |        |
| 29       | 332247   | UPPER TABLE SCREW          | 1        |        |
| 30       | 332333   | ELASTIC PIN                | 2        |        |
| 31       | 332250   | WASHER                     | 1        |        |
| 32       | 332251   | RIVING KNIFE               | 1        |        |
| 33       | 332252   | SCREW                      | 3        |        |
| 34       | 332253   | WASHER                     | 1        |        |
| 35       | 332330   | SNAP RING                  | 2        |        |
| 36       | 332254   | COMPLETE ROTOR             | 1        |        |
| 37       | 332255   | LEFT HALF HANDLE           | 1        |        |
| 38       | 332256   | SAFETY BUTTON              | 1        |        |
| 39       | 332257   | SAFETY BUTTON              | 1        |        |
| 40       | 332259   | SPRING                     | 1        |        |
| 41       | 332260   | RELEASE BUTTON             | 1        |        |
| 42       | 332261   | LEVER                      | 1        |        |
| 43       | 332262   | SWITCH                     | 1        |        |
| 44       | 332263   | RELEASE LEVER GROUP        | 1        |        |
| 45       | 332264   | SPRING                     | 1        |        |
| 46       | 332265   | PULLEY                     | 2        |        |
| 47       | 332266   | KNOB                       | 1        |        |
| 48       | 332267   | MOTOR SUPPORT              | 1        |        |
| 49       | 332268   | MOTOR BODY                 | 1        |        |
| 50       | 332270   | RIGHT HALF HANDLE          | 1        |        |
| 51       | 332271   | SCREW                      | 3        |        |
| 52       | 332272   | BALL BEARING               | 2        |        |
| 53       | 332273   | BELT SUPPORT               | 1        |        |
| 54       | 332274   | SPACER                     | 1        |        |
| 55       | 332275   | SCREW                      | 6        |        |
| 56       | 332276   | SCREW                      | 4        |        |
| 57       | 332277   | CONDENSATOR COVER          | 1        |        |
| 58       | 332278   | BALL BEARING               | 1        |        |
| 59       | 332279   | MOTOR FAN                  | 1        |        |
| 60       | 332281   | SWITCH COVER               | 1        |        |
| 61       | 332282   | CABLE LOCKING DEVICE       | 1        |        |
| 62       | 332283   | BRAKE SPRING               | 1        |        |
| 63       | 332271   | SCREW                      | 3        |        |
| 64       | 332285   | ELECTRONIC CARD            | 1        |        |
| 65       | 332271   | SCREW                      | 3        |        |

## PARTS

C12YA

| ITEM NO. | CODE NO. | DESCRIPTION             | NO. USED | REMARK |
|----------|----------|-------------------------|----------|--------|
| 66       | 332286   | CONDENSATOR             | 1        |        |
| 67       | 332287   | SCREW                   | 1        |        |
| 68       | 332288   | KNOB                    | 1        |        |
| 69       | 332289   | MOTOR COVER             | 1        |        |
| 70       | 332291   | SCREW                   | 2        |        |
| 71       | 332292   | RIGHT SAW COVER         | 1        |        |
| 72       | 332349   | MOBILE PROTECTION       | 1        |        |
| 75       | 332296   | EXAGONAL NUT            | 1        |        |
| 76       | 332362   | UPPER PROTECTION        | 1        |        |
| 77       | 332363   | SCREW                   | 1        |        |
| 78       | 332364   | KNOB                    | 1        |        |
| 79       | 332365   | SPRING                  | 1        |        |
| 80       | 332366   | SNAP RING               | 1        |        |
| 81       | 332367   | SCREW                   | 2        |        |
| 84       | 332368   | UPPER TABLE FRONT GUIDE | 1        |        |
| 85       | 332350   | BALL                    | 1        |        |
| 93       | 332351   | UPPER TABLE REAR GUIDE  | 1        |        |
| 95       | 332352   | SCREW                   | 4        |        |
| 98       | 332353   | UPPER TABLE             | 1        |        |
| 99       | 332354   | SCREW                   | 1        |        |
| 100      | 332355   | GUIDE                   | 1        |        |
| 101      | 332356   | UPPER TABLE GUIDE       | 1        |        |
| 102      | 332357   | LOWER PROTECTION        | 1        |        |
| 103      | 332358   | SHEET BRAKET            | 1        |        |
| 104      | 332359   | WING NUT                | 1        |        |
| 105      | 332296   | EXAGONAL NUT            | 1        |        |
| 106      | 332307   | WASHER                  | 2        |        |
| 107      | 332318   | SPRING WASHER           | 1        |        |
| 108      | 332329   | JOINT BUSHING           | 1        |        |
| 109      | 332340   | JOINT RING              | 1        |        |
| 110      | 332345   | JOINT SPRING            | 1        |        |
| 111      | 332346   | RIGHT STEEL PROTECTION  | 1        |        |
| 112      | 332347   | SCREW                   | 4        |        |
| 113      | 332348   | HAND LEVER              | 1        |        |
| 114      | 332297   | SPACER                  | 1        |        |
| 115      | 332298   | TIE ROD                 | 1        |        |
| 116      | 332299   | EXAGONAL NUT            | 2        |        |
| 117      | 332219   | GUARD                   | 1        |        |
| 118      | 332300   | MITRE SAW BASE          | 1        |        |
| 119      | 332301   | EXAGONAL NUT            | 1        |        |
| 120      | 332302   | SPRING WASHER           | 4        |        |
| 121      | 332303   | WASHER                  | 1        |        |
| 122      | 332304   | PLATE                   | 1        |        |
| 123      | 332305   | ANGULAR BRACKET         | 1        |        |
| 124      | 332306   | BRAKE DEVICE            | 1        |        |
| 125      | 332308   | WING NUT                | 1        |        |
| 126      | 332309   | SPRING                  | 2        |        |
| 127      | 332310   | SCREW                   | 1        |        |
| 128      | 332311   | EXAGONAL NUT            | 1        |        |
| 129      | 332312   | SWIVEL SUPPORT PIN      | 1        |        |
| 130      | 332313   | RELEASE LEVER           | 1        |        |