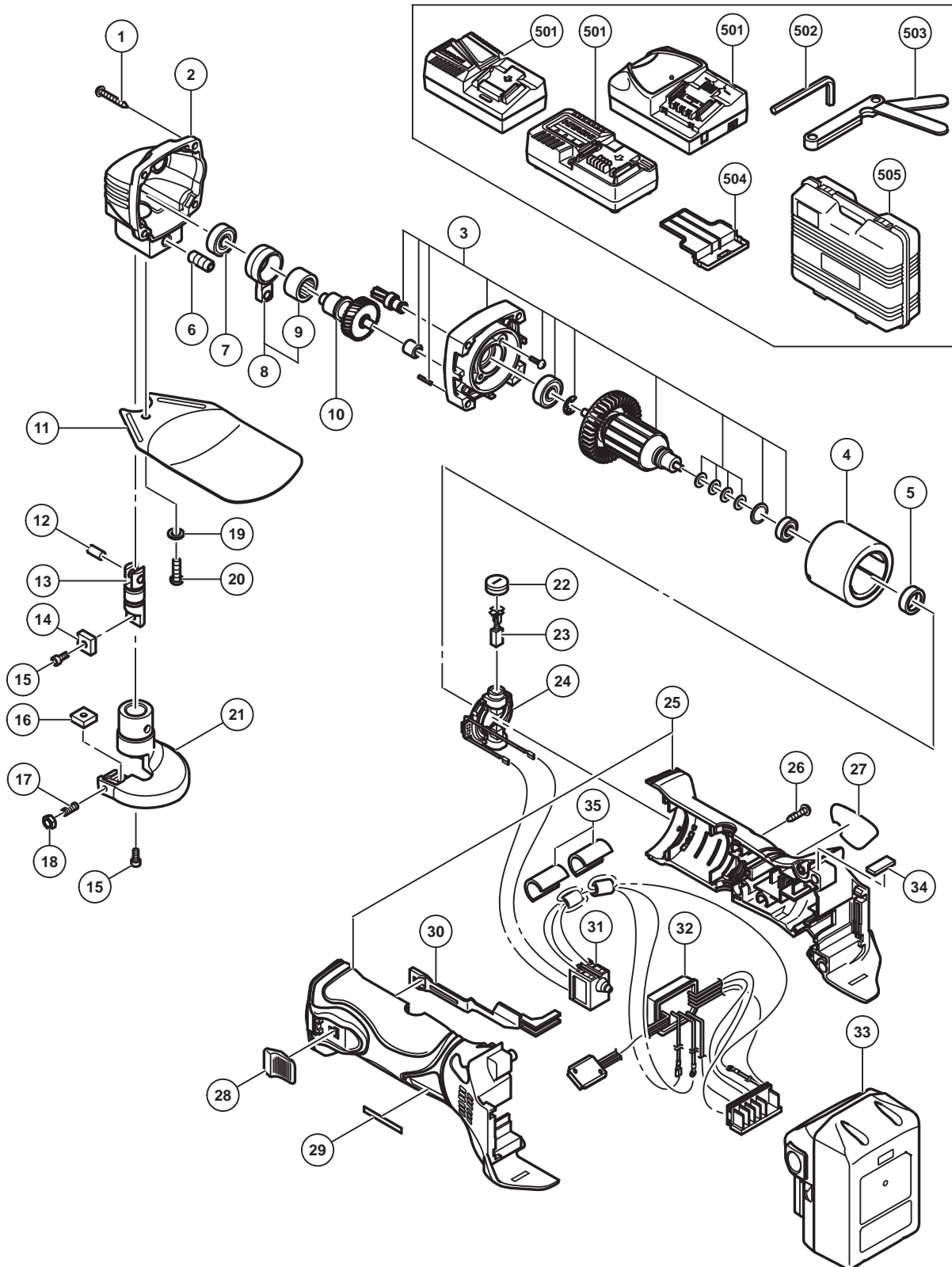


ELECTRIC TOOL PARTS LIST

CORDLESS SHEAR
Model CE 18DSL

2016-1-20
(E1)



PARTS

CE 18DSL

ITEM NO.	CODE NO.	DESCRIPTION	NO. USED	REMARKS	
1	303694	TAPPING SCREW (W/FLANGE) D4 X 35 (BLACK)	4		
2	339994	GEAR COVER	1		
3	339998	ARMATURE AND PINION SET	1		
4	328195	MAGNET	1		
5	338867	BUSHING	1		
6	998008	HEX. SOCKET SET SCREW M8 X 20	1		
7	333945	BALL BEARING 608VV	1		
8	998004	CONNECTING ROD ASS'Y	1	INCLUD.9	
9	993163	NEEDLE BEARING (M152112)	1		
10	339999	SPINDLE AND GEAR SET	1		
11	998010	PROTECTOR	1		
12	993546	PIN D6	1		
13	998005	PISTON	1		
14	998000	MOVING BLADE	1		
15	949812	HEX. SOCKET HD. BOLT M4 X 10 (10 PCS.)	2		
16	998001	STATIONARY BLADE	1		
17	998009	SLOTTED HD. SET SCREW M4 X 14	1		
18	949565	LOCK NUT M4 (10 PCS.)	1		
19	949454	SPRING WASHER M5 (10 PCS.)	1		
20	949237	MACHINE SCREW M5 X 12 (10 PCS.)	1		
21	998007	BLADE HOLDER	1		
22	328200	BRUSH CAP	2		
23	999054	CARBON BRUSH 5 X 6 X 11.5 (1 PAIR)	2		
*	24	328202	BRUSH BLOCK	1	
*	24	334696	BRUSH BLOCK	1	FOR EUROPE,GBR
25	370161	HOUSING (A).(B) SET	1		
26	301653	TAPPING SCREW (W/FLANGE) D4 X 20 (BLACK)	5		
27		NAME PLATE	1		
28	314428	SLIDE KNOB	1		
29		HITACHI LABEL	1		
30	328199	SLIDE BAR	1		
31	329057	PUSHING BUTTON SWITCH	1		
*	32	370162	CONTROLLER TERMINAL SET	1	
*	32	370163	CONTROLLER TERMINAL SET	1	FOR EUROPE,GBR
*	33	336385	BATTERY BSL 1850 (EUROPE,AUS,NZL) (2 PCS.)	2	INCLUD.504
*	33	336265	BATTERY BSL 1850 (CHN)	2	INCLUD.504
*	33	330068	BATTERY BSL 1830 (EUROPE,AUS,NZL)	2	INCLUD.504
*	33	333352	BATTERY BSL 1815 (EUROPE)	2	INCLUD.504
34	328709	PACKING	1		
*	35	339343	SUPPORT (D)	2	FOR EUROPE,GBR

