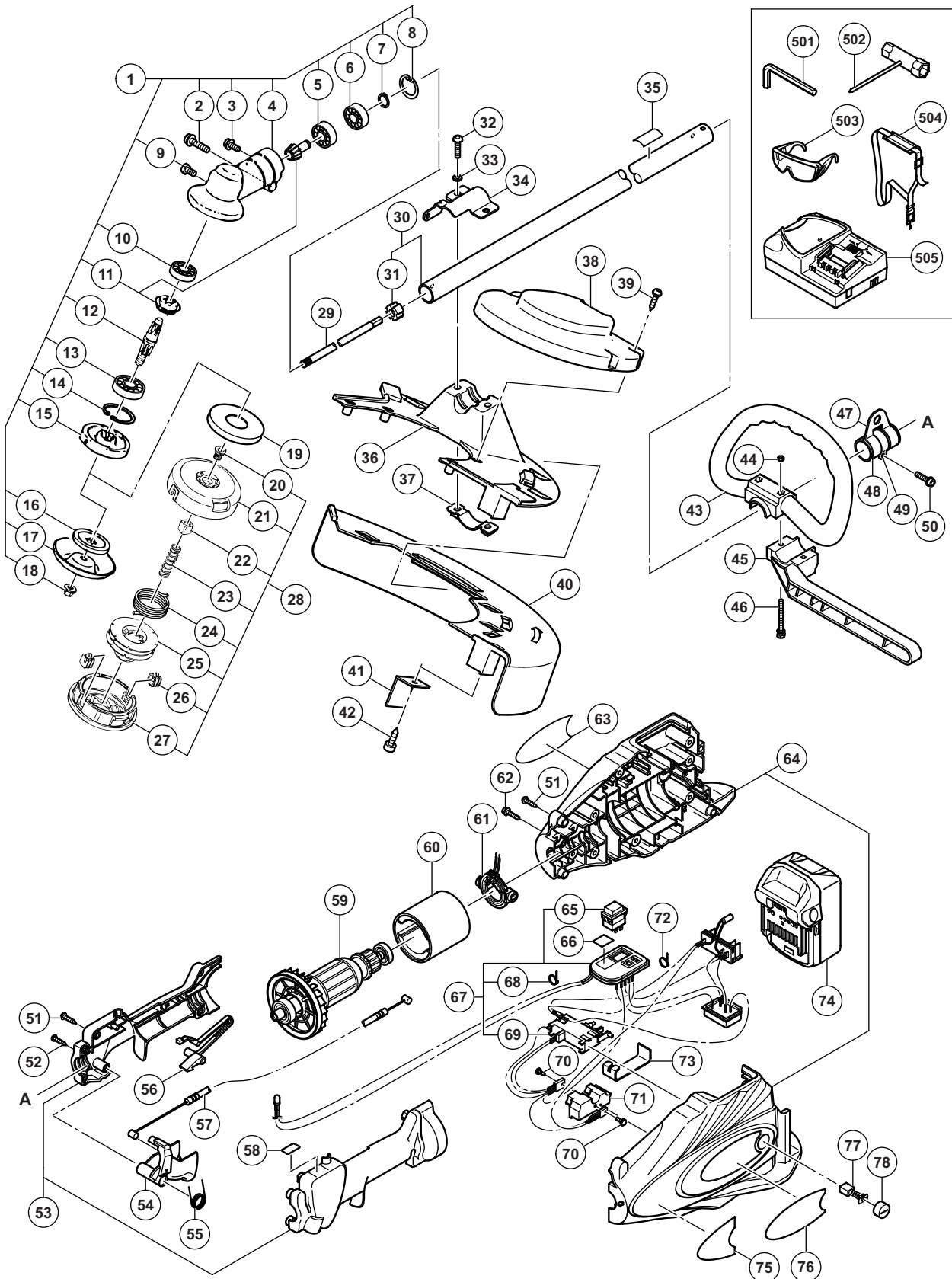


ELECTRIC TOOL PARTS LIST

CORDLESS GRASS TRIMMER Model CG 18DAL

2010·8·20

(E1)



PARTS

CG 18DAL

ITEM NO.	CODE NO.	DESCRIPTION	NO. USED	REMARKS
1	669-5692	GEAR CASE ASS'Y 24	1	INCLUD. 2-18
2	668-4973	HEX.HOLE BOLT M5 X 30/WS	1	
3	668-4667	HEX.HOLE BOLT M5 X 12/S	1	
4	668-4736	GEAR CASE 24	1	
5	668-4734	BALL BEARING 609	1	
6	668-4735	BALL BEARING 609Z ST	1	
7	668-4733	STOP RING 9	1	
8	668-4732	STOP RING C-24, INNER	1	
9	668-4737	BOLT (W/PLUS) M6 X 8	1	
10	668-4738	BALL BEARING #608, 22MM/OD	1	
11	668-4752	GEAR PINION SET	1	
12	668-4739	GEAR SHAFT	1	
13	668-4740	BALL BEARING 6001DD,28MM/OD	1	
14	668-4741	STOP RING C-28, INNER	1	
15	668-4742	CUTTER HOLDER	1	
16	668-4744	CUTTER HOLDER CAP	1	
17	668-4743	PROTECTION COVER	1	
18	331-496	NYLON NUT (LEFT HAND) M10	1	
19	668-4763	WINDING PROTECTOR	1	
20	668-4756	MOUNTING NUT L-M10 X 1.25	1	
21	668-4757	CUTTING BODY	1	
22	668-4758	SPECIAL NUT	1	
23	668-4759	REEL SPRING	1	
24		NYLON CORD	1	
25	668-4760	SPOOL	1	
26	668-4762	EYELET	2	
27	668-4761	CUTTING BODY CAP	1	
28	668-4755	NYLON HEAD ASS'Y	1	INCLUD. 20-27
29	668-4701	DRIVE SHAFT	1	
30	668-4702	DRIVE SHAFT PIPE COMP. 1500L	1	INCLUD. 31
31	668-4703	BUSHING	5	
32	330-799	HEX. SOCKET HD. BOLT (W/BUTTON) M6 X 25	2	
33	949-455	SPRING WASHER M6 (10 PCS.)	2	
34	333-321	COVER BRACKET	1	
35		LEVEL MARK (B)	1	
36	333-138	COVER (A)	1	
37	668-4748	SAFETY COVER HOLDER	1	
38	333-140	COVER (C)	1	
39	305-812	TAPPING SCREW (W/FLANGE) D4 X 16 (BLACK)	4	
40	333-139	COVER (B)	1	
41	668-4754	KNIFE	1	
42	668-4753	TAPPING SCREW 5 X 20	1	
43	668-4836	HANDLE	1	
44	668-4835	HEX.NUT 6	2	
45	668-4837	BARRIER(BLACK)	1	
46	668-4838	BOLT 6 X 43/P (BLACK)	2	
47	668-4705	HANGER	1	
48	668-4704	HANGER COLLAR	1	
49	668-4706	HANGER FIXING BRACKET	1	
50	668-4709	HEX.HOLE BOLT M5 X 25/S	1	

PARTS

CG 18DAL

ITEM NO.	CODE NO.	DESCRIPTION	NO. USED	REMARKS
51	302-086	TAPPING SCREW (W/FLANGE) D4 X 20 (BLACK)	19	
52	956-384	TAPPING SCREW D4 X 20	1	
53	330-800	HANDLE (A).(B) SET	1	
54	330-778	LEVER	1	
55	330-780	SPRING	1	
56	330-779	LOCK LEVER	1	
57	330-772	WIRE	1	
58		LABEL (D)	1	
59	360-867	ARMATURE (A) DC 18V	1	
60	330-776	MAGNET	1	
61	324-478	BRUSH BLOCK	1	
62	996-728	HEX. SOCKET HD. BOLT (W/WASHERS) M5 X 16	1	
63		NAME PLATE	1	
64	330-769	HOUSING (A).(B) SET	1	
65	330-775	SWITCH	1	
66		LABEL (B)	1	
67	331-494	PCB ASS'Y (B)	1	INCLUD. 65, 68, 69
68	313-505	WIRE BAND	1	
69	330-770	DC-SPEED CONTROL SWITCH	1	
70	993-963	MACHINE SCREW (W/WASHERS) M3 X 12	2	
71	331-495	HEAT SINK	1	
72	313-505	WIRE BAND	1	
73	330-771	PLATE	1	
74	330-068	BATTERY BSL 1830 (EUROPE, AUS, NZL)	1	
75		POP LABEL (A)	1	
76		HITACHI LABEL	1	
77	999-068	CARBON BRUSH (1 PAIR)	2	
78	319-847	BRUSH CAP	2	

STANDARD ACCESSORIES

ITEM NO.	CODE NO.	DESCRIPTION	NO. USED	REMARKS
501	668-4813	HEX. BAR WRENCH 4MM	1	
502	668-4764	BOX WRENCH (HEX. SOCKET 17/19)	1	
503	875-769	SAFETY GLASSES	1	
504	330-787	SHOULDER BELT	1	
505		CHARGER (MODEL UC 18YRSL)	1	

