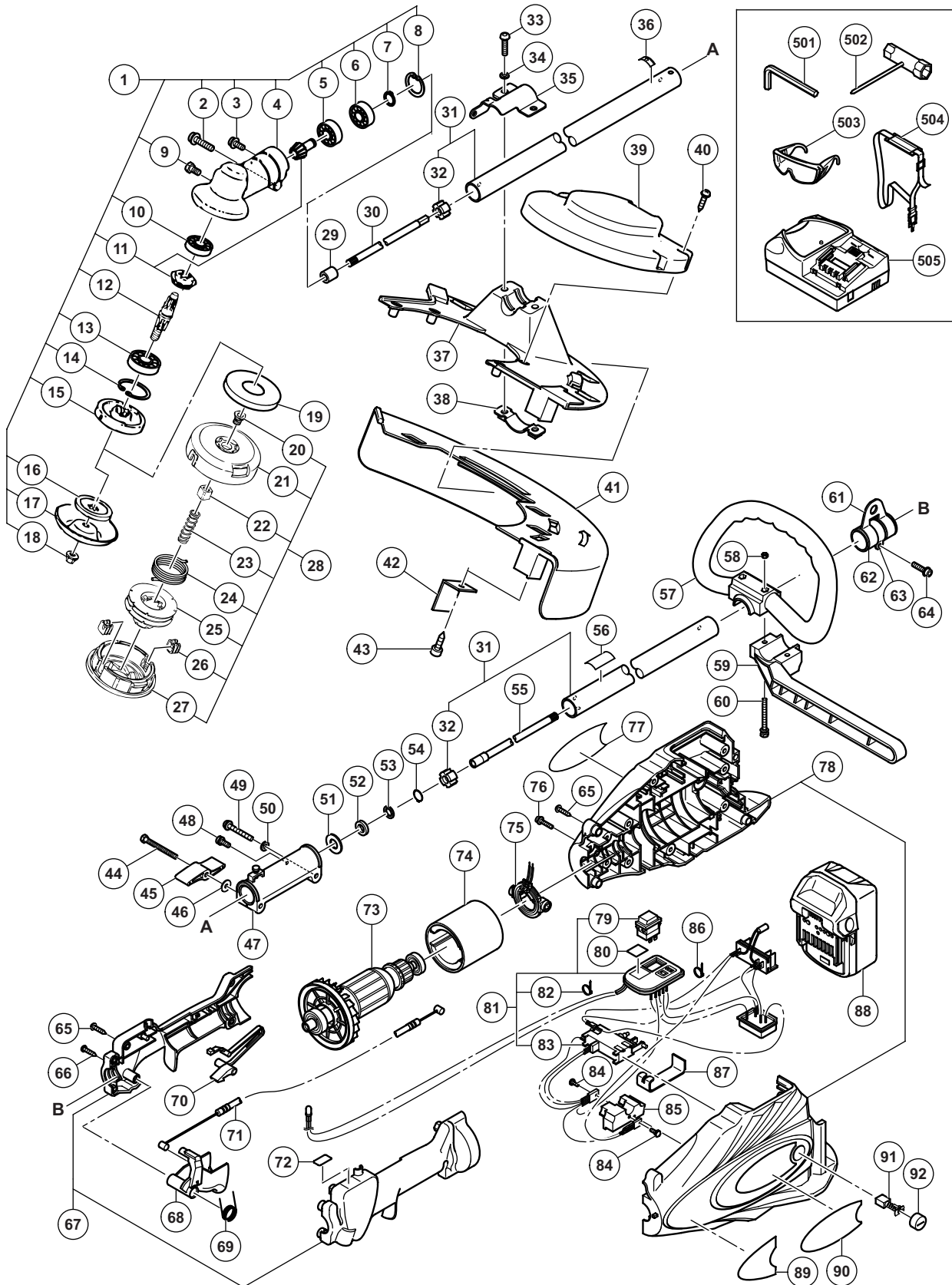


ELECTRIC TOOL PARTS LIST

CORDLESS GRASS TRIMMER
Model CG 18DL

2010·8·20
(E1)



PARTS

CG 18DL

ITEM NO.	CODE NO.	DESCRIPTION	NO. USED	REMARKS
1	669-5692	GEAR CASE ASS'Y 24	1	INCLUD. 2-18
2	668-4973	HEX.HOLE BOLT M 5 X 30/WS	1	
3	668-4667	HEX.HOLE BOLT M5 X 12/S	1	
4	668-4736	GEAR CASE 24	1	
5	668-4734	BALL BEARING 609	1	
6	668-4735	BALL BEARING 609Z ST	1	
7	668-4733	STOP RING 9	1	
8	668-4732	STOP RING C-24, INNER	1	
9	668-4737	BOLT (W/PLUS) M6 X 8	1	
10	668-4738	BALL BEARING #608,22MM/OD	1	
11	668-4752	GEAR PINION SET	1	
12	668-4739	GEAR SHAFT	1	
13	668-4740	BALL BEARING 6001DD, 28MM/OD	1	
14	668-4741	STOP RING C-28, INNER	1	
15	668-4742	CUTTER HOLDER	1	
16	668-4744	CUTTER HOLDER CAP	1	
17	668-4743	PROTECTION COVER	1	
18	331-496	NYLON NUT (LEFT HAND) M10	1	
19	668-4763	WINDING PROTECTOR	1	
20	668-4756	MOUNTING NUT L-M10 X 1.25	1	
21	668-4757	CUTTING BODY	1	
22	668-4758	SPECIAL NUT	1	
23	668-4759	REEL SPRING	1	
24		NYLON CORD	1	
25	668-4760	SPOOL	1	
26	668-4762	EYELET	2	
27	668-4761	CUTTING BODY CAP	1	
28	668-4755	NYLON HEAD ASS'Y	1	INCLUD. 20-27
29	668-4833	BUSHING	1	
30	668-4832	DRIVE SHAFT B 783L	1	
31	668-4830	MAIN PIPE COMP.	2	INCLUD. 32
32	668-4831	BUSH ASS'Y	6	
33	330-799	HEX. SOCKET HD. BOLT (W/BUTTON) M6 X 25	2	
34	949-455	SPRING WASHER M6 (10 PCS.)	2	
35	333-321	COVER BRACKET	1	
36		LEVEL MARK	1	
37	333-138	COVER (A)	1	
38	668-4748	SAFETY COVER HOLDER	1	
39	333-140	COVER (C)	1	
40	305-812	TAPPING SCREW (W/FLANGE) D4 X 16 (BLACK)	4	
41	333-139	COVER (B)	1	
42	668-4754	KNIFE	1	
43	668-4753	TAPPING SCREW 5 X 20	1	
44	949-644	BOLT M6 X 40 (10 PCS.)	1	
45	668-4823	HANDLE KNOB	1	
46	949-432	BOLT WASHER M6 (10 PCS.)	1	
47	668-4817	JOINT CASE	1	
48	315-316	HEX. SOCKET HD. BOLT (W/SP.WASHER) M5 X 12	1	
49	949-264	MACHINE SCREW M6 X 40 (10 PCS.)	1	
50	949-455	SPRING WASHER M6 (10 PCS.)	1	

PARTS

CG 18DL

ITEM NO.	CODE NO.	DESCRIPTION	NO. USED	REMARKS
51	668-4818	SPACER 1.6	1	
52	668-4819	SPACER	1	
53	668-4820	PULLEY WASHER	1	
54	939-540	RETAINING RING FOR D10 SHAFT (10 PCS.)	1	
55	668-4814	DRIVE SHAFT A	1	
56		LEVEL MARK (B)	1	
57	668-4836	HANDLE	1	
58	949-556	NUT M6 (10 PCS.)	2	
59	668-4837	BARRIER(BLACK)	1	
60	668-4838	BOLT 6 X 43/P (BLACK)	2	
61	668-4705	HANGER	1	
62	668-4704	HANGER COLLAR	1	
63	668-4706	HANGER FIXING BRACKET	1	
64	668-4709	HEX.HOLE BOLT M5 X 25/S	1	
65	302-086	TAPPING SCREW (W/FLANGE) D4 X 20 (BLACK)	19	
66	956-384	TAPPING SCREW D4 X 20	1	
67	330-800	HANDLE (A).(B) SET	1	
68	330-778	LEVER	1	
69	330-780	SPRING	1	
70	330-779	LOCK LEVER	1	
71	330-772	WIRE	1	
72		LABEL (D)	1	
73	360-867	ARMATURE (A) DC 18V	1	
74	330-776	MAGNET	1	
75	324-478	BRUSH BLOCK	1	
76	996-728	HEX. SOCKET HD. BOLT (W/WASHERS) M5 X 16	1	
77		NAME PLATE	1	
78	330-769	HOUSING (A).(B) SET	1	
79	330-775	SWITCH	1	
80		LABEL (B)	1	
81	331-494	PCB ASS'Y (B)	1	INCLUD. 79, 82, 83
82	313-505	WIRE BAND	1	
83	330-770	DC-SPEED CONTROL SWITCH	1	
84	993-963	MACHINE SCREW (W/WASHERS) M3 X 12	2	
85	331-495	HEAT SINK	1	
86	313-505	WIRE BAND	1	
87	330-771	PLATE	1	
88	330-068	BATTERY BSL 1830 (EUROPE, AUS, NZL)	1	
89		POP LABEL (A)	1	
90		HITACHI LABEL	1	
91	999-068	CARBON BRUSH (1 PAIR)	2	
92	319-847	BRUSH CAP	2	

