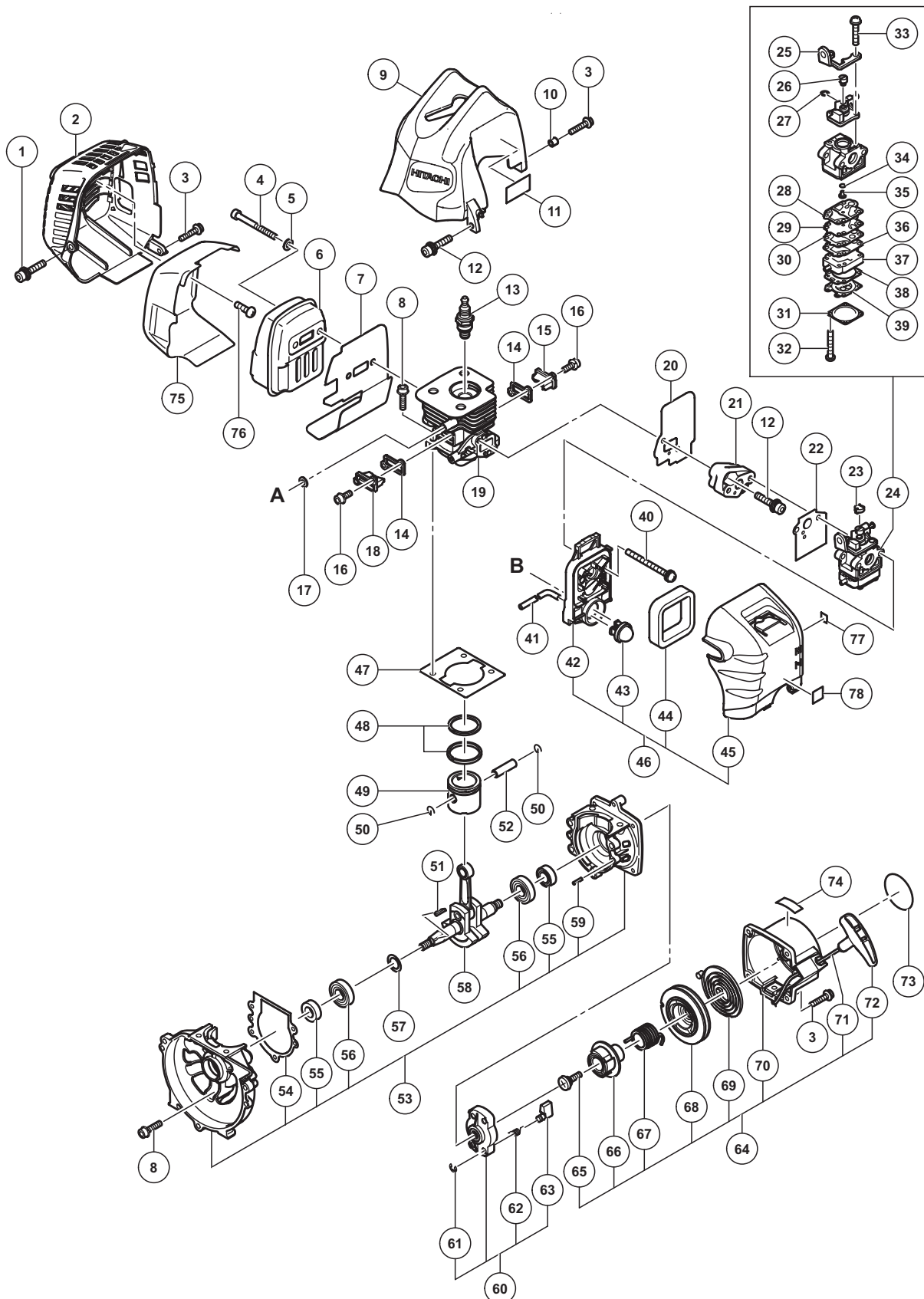
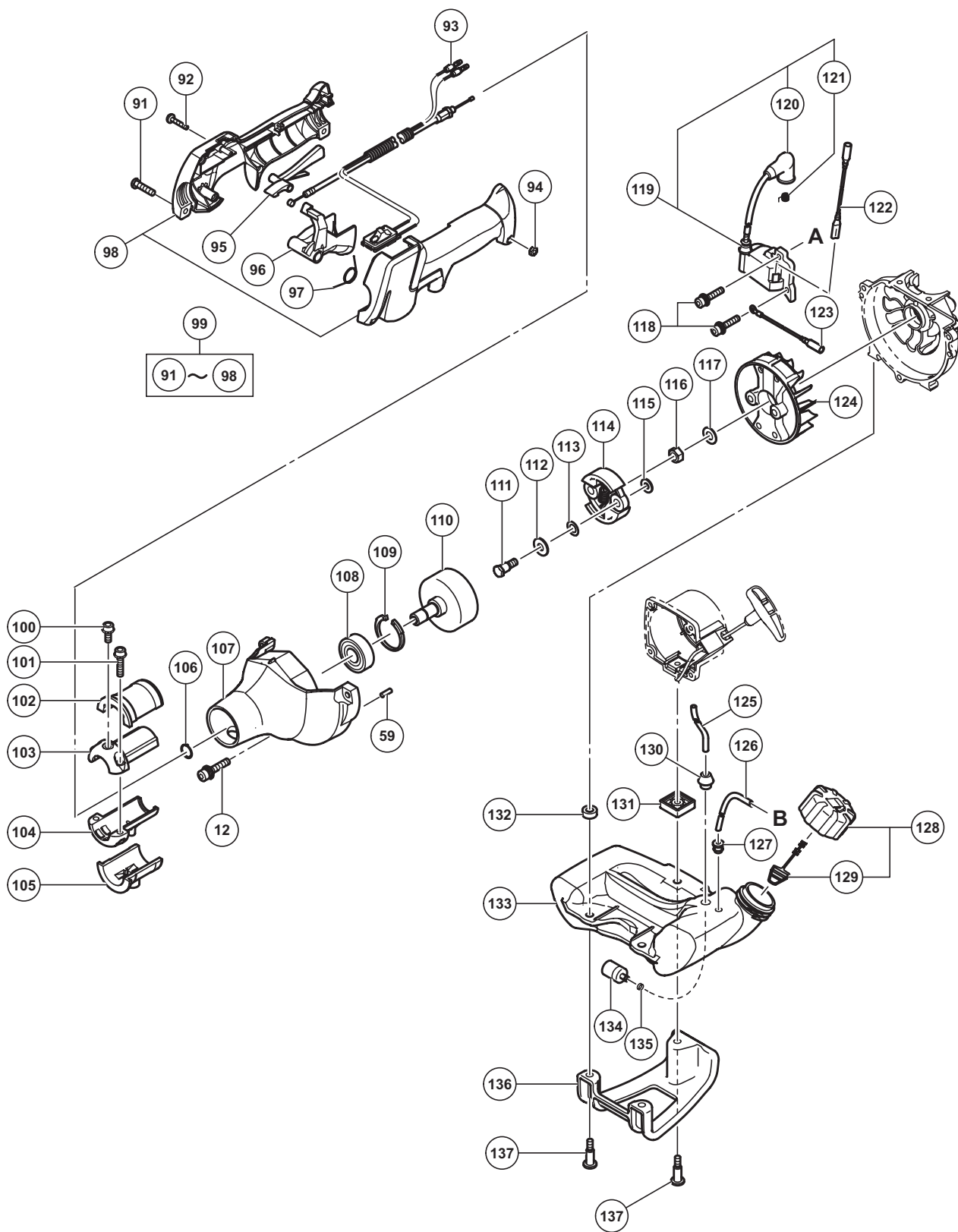


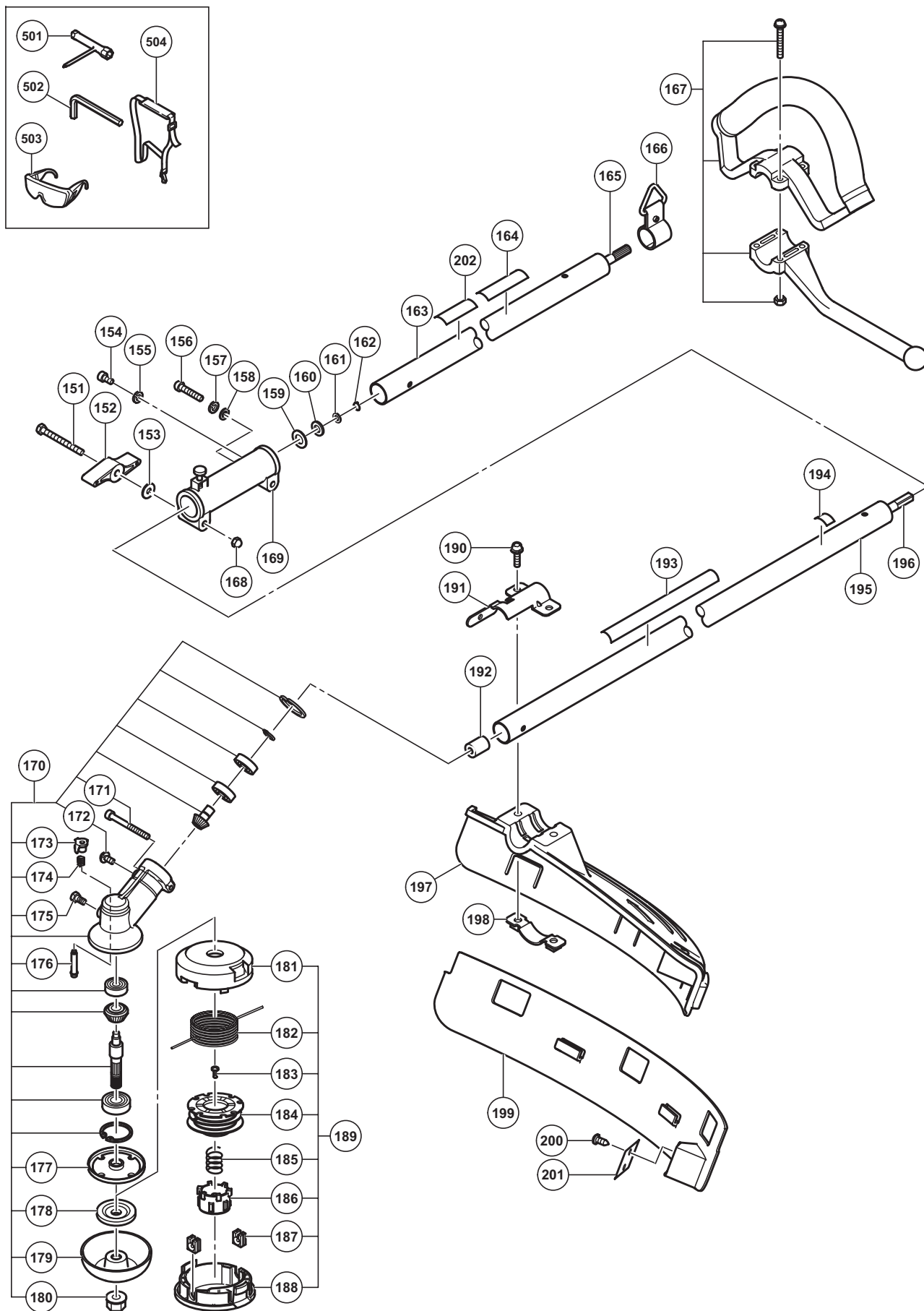
## ENGINE TOOL PARTS LIST

### ENGINE BRUSH CUTTER Model CG 24EBDP

2014 · 4 · 25  
(E1)







## PARTS

CG 24EBDP

ITEM NO.	CODE NO.	DESCRIPTION	NO. USED	REMARKS
1	6698950	SEAL LOCK HEX. SOCKET HD. BOLT M5 X 30	1	
2	6600319	MUFFLER COVER	1	
3	6696326	HEX. SOCKET HD. BOLT (W/FLANGE) M4 X 18	4	
4	6698384	HEX. SOCKET HD. BOLT M6 X 65	2	
5	949432	BOLT WASHER M6 (10 PCS.)	2	
6	6600004	MUFFLER (B)	1	
7	6600320	HEAT PROTECTION PANEL	1	
8	6698386	HEX. SOCKET HD. BOLT (W/SP.WASHER) M5 X 18	8	
9	6699454	CYLINDER COVER	1	
10	6600008	COLLAR (B)	2	
11		CAUTION LABEL	1	
12	6698844	SEAL LOCK HEX. SOCKET BOLT (W/WASHERS) M5	4	
13	6699316	SPARK PLUG ASS'Y BMR7A	1	
14	6698468	COVER PACKING	2	
15	6698469	SCAVENGING COVER (A)	1	
16	6698385	HEX. SOCKET HD. BOLT M4 X 12	4	
17	6698700	GLASS WASHER	2	
18	6698470	SCAVENGING COVER (B)	1	
19	6698465	CYLINDER	1	
20	6699437	INTAKE PACKING	1	
21	6698387	CARBURETOR INSULATOR	1	
22	6698405	CARBURETOR PACKING	1	
23	6691337	SWIVEL CAP	1	
24	6600321	CARBURETOR ASS'Y WYC-36	1	INCLUD.25-39
25	6699287	CABLE ADJUST STAY	1	
26	6696830	SWIVEL	1	
27	6684696	STOP RING	1	
28	6684692	PUMP GASKET	1	
29	6684693	PUMP DIAPHRAGM	1	
30	6691242	PUMP PLATE	1	
31	6685222	DIAPHRAGM COVER-METERING	1	
32	6691312	SET SCREW	4	
33	6696829	SET SCREW M3 X 12	2	
34	6684695	O-RING	1	
35		MAIN JET	1	
36	6691234	CIRCUIT PLATE	1	
37	6696828	PUMP BODY COMP.	1	
38	6685220	DIAPHRAGM PACKING-METERING	1	
39	6684690	METERING DIAPHRAGM	1	
40	307224	MACHINE SCREW (W/WASHERS) M5 X 60 (BLACK)	2	
41	6699014	FUEL PIPE L70	1	
42	6696832	AIR CLEANER HOUSING	1	
43	6685139	PRIMING PUMP COMP.	1	
44	6690347	CLEANER ELEMENT	1	
45	6699185	CLEANER COVER	1	
46	6699132	AIR CLEANER (A) ASS'Y	1	INCLUD.42-45
47	6684587	CYLINDER GASKET	1	
48	6698404	PISTON RING	2	
49	6699456	PISTON	1	
50	6684590	CIR CLIP	2	

**PARTS**

CG 24EBDP

ITEM NO.	CODE NO.	DESCRIPTION	NO. USED	REMARKS
51	6684899	WOODRUFF KEY 3 X 13 X 4.5	1	
52	6684591	PISTON PIN	1	
53	6684606	CRANK CASE ASS'Y	1	INCLUD.54-56,59
54	6684609	CRANK CASE GASKET	1	
55	6684607	OIL SEAL TB 12227	2	
56	6684608	BALL BEARING 6001 C3	2	
* 57	6696946	SHIM T0.2	1	
* 57	6696945	SHIM T0.3	1	
58	6696533	CRANK SHAFT COMP.	1	
59	6696947	KNOCK PIN 4 X 12	4	
60	6684681	STARTER PULLEY ASS'Y	1	INCLUD.61-63
61	6684683	STOP RING E-5	2	
62	6684684	STARTER PAWL SPRING	2	
63	6684685	STARTER PAWL	2	
64	6699995	RECOIL STARTER BODY ASS'Y	1	INCLUD.65-72
65	6684679	SET SCREW	1	
66	6699996	CAM PLATE	1	
67	6684677	DAMPER SPRING	1	
68	6699997	STARTER ROPE REEL	1	
69	6684675	RECOIL SPRING	1	
70	6684673	RECOIL STARTER BODY COMP.	1	
71	6684674	STARTER ROPE 3.5 X 860	1	
72	6684680	STARTER HANDLE	1	
73		NAME PLATE	1	
74	6698921	TANK MARK LABEL (50:1)	1	
75	6600323	MUFFLER HEAT COVER	1	
76	6600325	TAPPING SCREW D4 X 10	2	
77	6600327	MARK PLATE (T)	1	
78	6699000	PRIMER LABEL	1	
91	6699195	MACHINE SCREW M5 X 20 (BLACK)	2	
92	6699194	P TIGHT SCREW D4 X 20 (BLACK)	4	
93	6699197	SWITCH WIRE SET	1	
94	6699196	NUT M5	2	
95	6699192	STOP LEVER	1	
96	6699191	LONG LEVER	1	
97	6699193	RETURN SPRING	1	
98	6699190	STAY SET	1	
99	6699133	THROTTLE LEVER (A) ASS'Y	1	INCLUD.91-98
100	6699176	HEX. SOCKET HD. BOLT (W/SP.WASHER) M5 X 12	1	
101	6695492	HEX. HOLE BOLT 5 X 22/S	2	
102	6696963	ANTI VIBE RUBBER (A)	1	
103	6698643	PIPE HOLDER (A)	1	
104	6698644	PIPE HOLDER (B)	1	
105	6696964	ANTI VIBE RUBBER (B)	1	
106	939542	RETAINING RING FOR D12 SHAFT (10 PCS.)	1	
107	6699457	FAN CASE (A)	1	
108	6699435	BALL BEARING 6301ZZC3	1	
109	322813	RETAINING RING 37MM	1	
110	6699434	CLUTCH SHAFT	1	
111	6696469	STEP BOLT	2	

**PARTS**

CG 24EBDP

ITEM NO.	CODE NO.	DESCRIPTION	NO. USED	REMARKS	
112	6684648	BENT WASHER 8	2		
113	6696546	CLUTCH PLATE (A)	2		
114	6699130	CLUTCH	1		
115	6699131	CLUTCH WASHER (B)	2		
116	6685337	FLYWHEEL NUT	1		
117	323212	BOLT WASHER M8 (BLACK)	1		
118	6698388	HEX. SOCKET HD. BOLT (W/WASHERS) M4 X 18	2		
119	6699458	IGNITION COIL ASS'Y	1	INCLUD.120,121	
120	6699932	PLUG CAP	1		
121	6699933	METAL FITTING OF PLUG CAP	1		
122	6696544	CORD	1		
123	6696545	EARTH CORD	1		
124	6699289	MAGNETO ROTOR ASS'Y	1		
125	6698716	FUEL PIPE	1		
126	6698401	FUEL PIPE (PINK)	1		
127	6697846	RETURN GROMMET	1		
128	6698402	FUEL TANK CAP ASS'Y	1	INCLUD.129	
129	6698732	TANK CAP CHAIN	1		
130	6698931	FUEL GROMMET	1		
131	6699558	SPACER	1		
132	6699459	SPACER (B)	2		
133	6600317	TANK (B)	1		
134	6684620	PUMP FILTER BODY COMP.	1		
135	6696949	CLIP	1		
136	6694787	STAND	1		
137	6698991	BOLT (W/FLANGE) L27.8	3		
151	6684824	HEX. BOLT 6 X 50	1		
152	6684823	HANDLE KNOB	1		
153	6684822	SPECIAL WASHER B	1		
154	6684829	HEX. SOCKET HD. BOLT M5 X 12	1		
155	6698884	SPRING WASHER M5	1		
156	6684825	HEX. SOCKET HD. BOLT (W/BUTTON) M6	1		
157	949455	SPRING WASHER M6 (10 PCS.)	1		
158	949425	WASHER M6 (10 PCS.)	1		
159	6689139	SPACER 1.6	1		
160	6684819	SPACER	1		
161	6684820	PULLEY WASHER	1		
162	939540	RETAINING RING FOR D10 SHAFT (10 PCS.)	1		
163	6699460	MAIN PIPE (A)	1		
164	6684852	LEVEL MARK	1		
165	6699462	DRIVE SHAFT (A)	1		
166	6696493	HANGER	1		
167	6699448	LOOP HANDLE (W/BARRIER)	1		
168	6684828	CAP NUT 6	1		
169	6684817	JOINT CASE	1		
*	170	6699439	GEAR CASE ASS'Y (4BB)	1	INCLUD.171-180 FOR (SL)
*	171	949664	HEX. SOCKET HD. BOLT M5 X 30 (10 PCS.)	1	FOR (SL)
*	172	6695414	SCREW 5 X 12/W.S	1	FOR (SL)
*	173	6600005	CAP	1	FOR (SL)
*	174	6600006	SPRING	1	FOR (SL)

**PARTS**

CG 24EBDP

ITEM NO.	CODE NO.	DESCRIPTION	NO. USED	REMARKS
* 175	6684737	BOLT (W/PLUS) M6 X 8	1	FOR (SL)
* 176	6600007	LOCK PIN	1	FOR (SL)
* 177	6699441	CUTTER HOLDER (A)	1	FOR (SL)
* 178	6698659	CUTTER HOLDER (B)	1	FOR (SL)
* 179	6699188	NUT COVER	1	FOR (SL)
* 180	335759	U-NUT (LEFT HAND) M10	1	FOR (SL)
* 181	6698794	COVER	1	FOR (SL)
* 182		NYLON CORD	1	FOR (SL)
* 183	6698795	SET SCREW	1	FOR (SL)
* 184	6698796	REEL	1	FOR (SL)
* 185	6698797	RETURN SPRING	1	FOR (SL)
* 186	6698798	BUTTON	1	FOR (SL)
* 187	6698799	CORD GUIDE	2	FOR (SL)
* 188	6698800	CASE	1	FOR (SL)
* 189	6696454	NYLON HEAD ASS'Y	1	INCLUD.181-188 FOR (SL)
* 190	6684714	HEX. HOLE BUTTON SCREW 6 X 25S	2	FOR (SL)
* 191	6699442	COVER BRACKET	1	FOR (SL)
* 192	6684833	BUSHING	1	FOR (SL)
* 193	6697625	CAUTION MARK HITACHI	1	FOR (SL)
* 194	6684851	LEVEL MARK	1	FOR (SL)
* 195	6699461	MAIN PIPE (A)	1	FOR (SL)
* 196	6684832	DRIVE SHAFT B 783L	1	FOR (SL)
* 197	6696980	COVER	1	FOR (SL)
* 198	6696951	GUARD HOLDER	1	FOR (SL)
* 199	6696950	COVER GUARD	1	FOR (SL)
* 200	6684751	TAPPING SCREW 4 X 14	1	FOR (SL)
* 201	6684750	KNIFE	1	FOR (SL)
	202	6600328	CAUTION LABEL (HEDGE)	1

