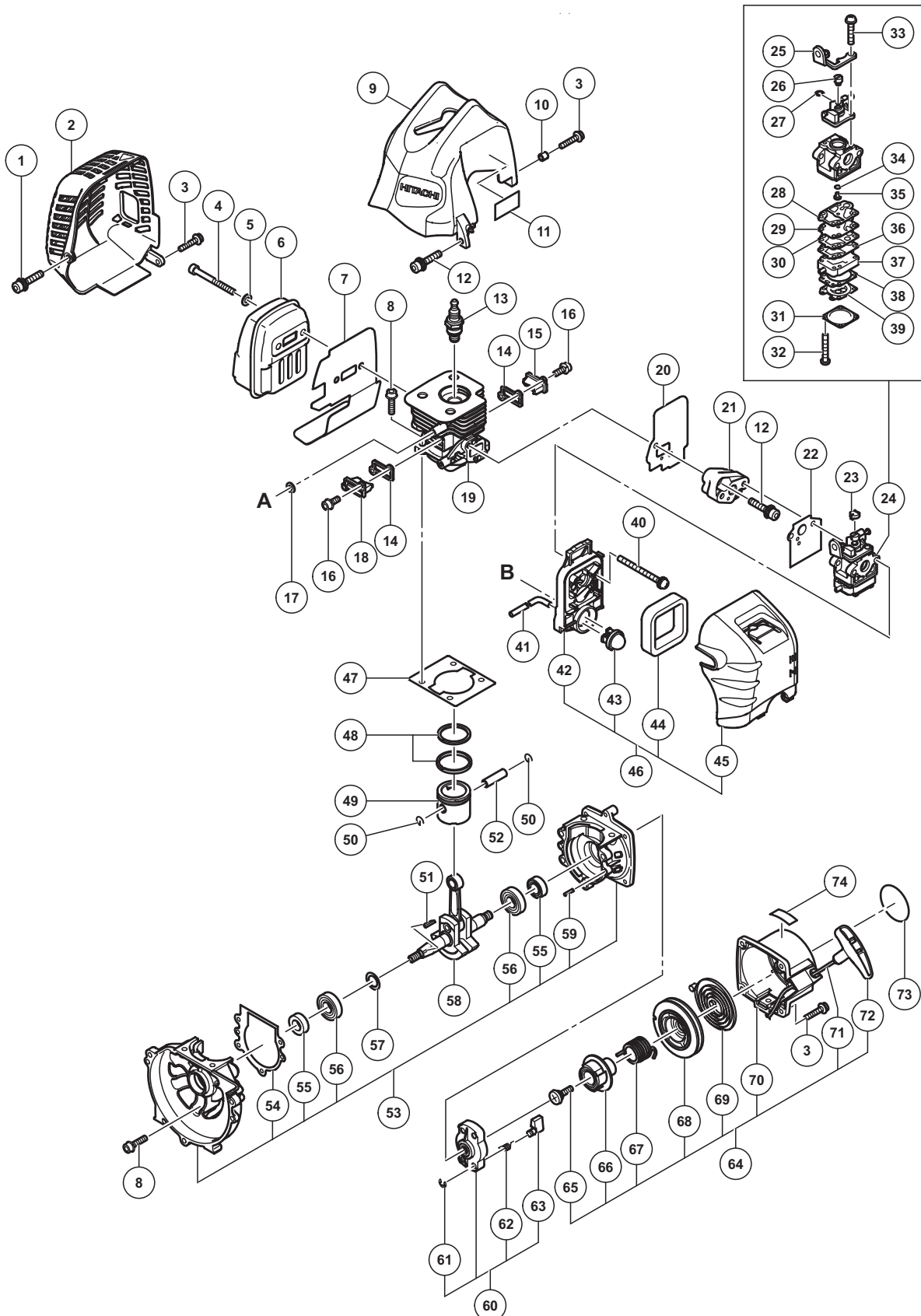
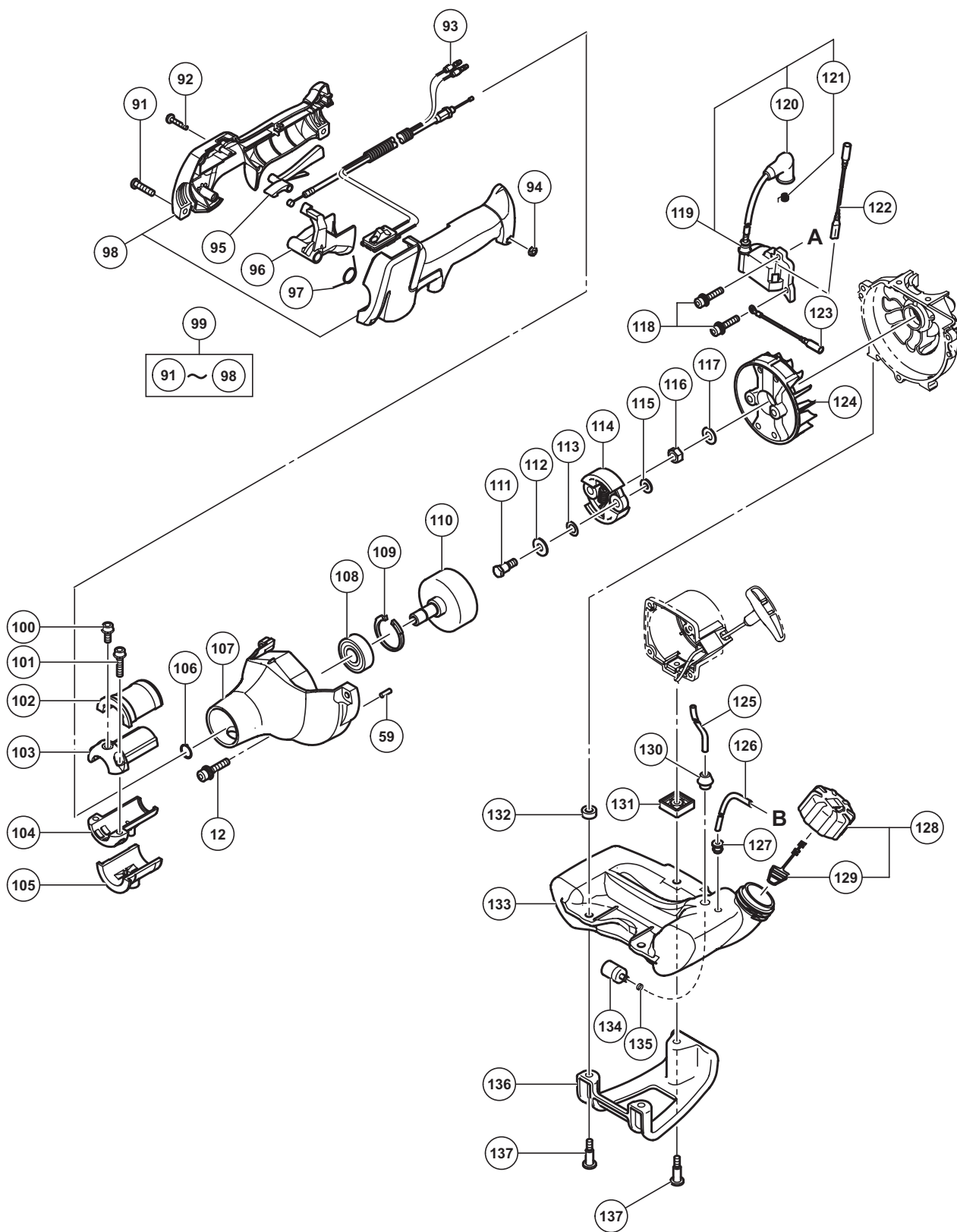


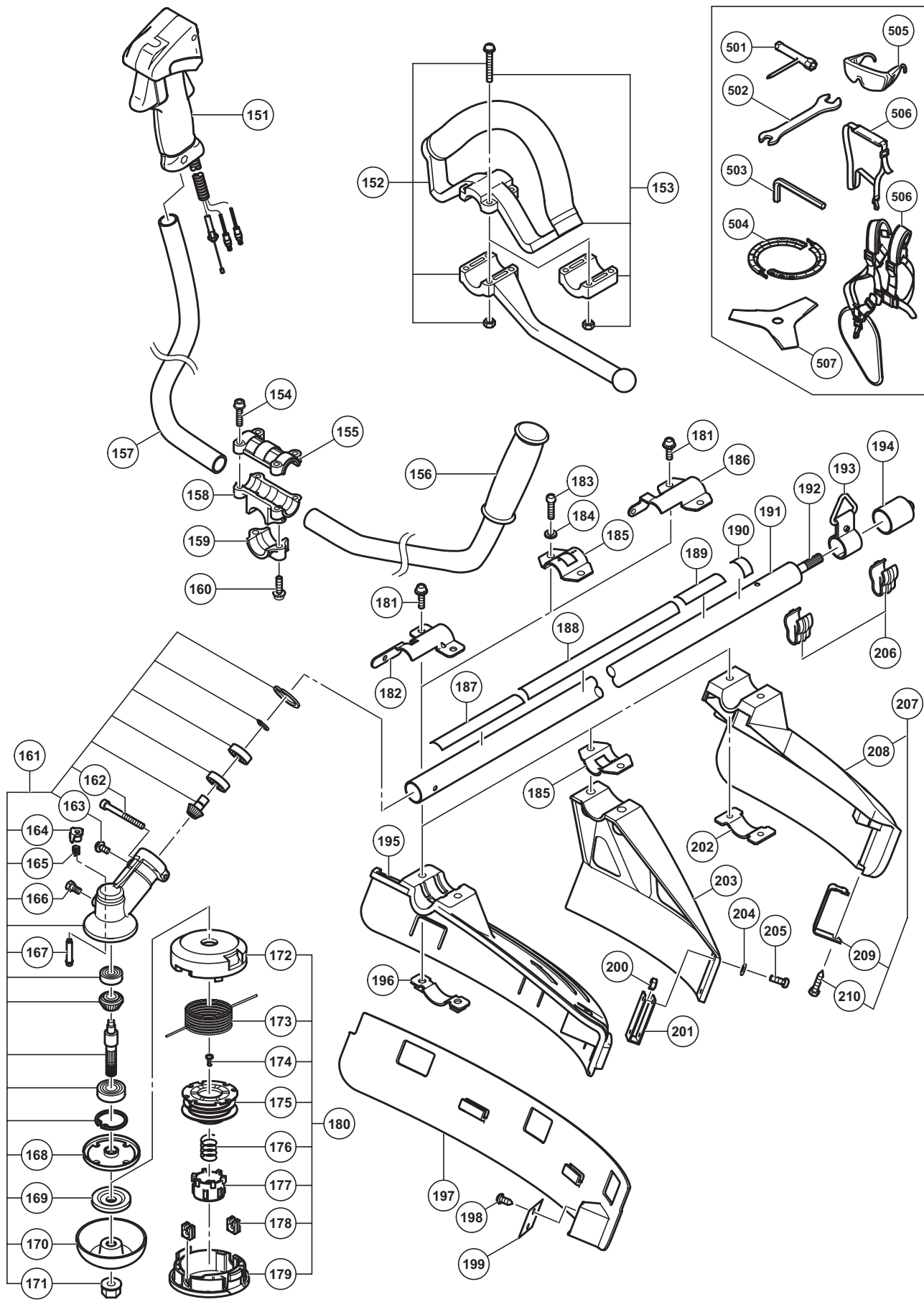
ENGINE TOOL PARTS LIST

ENGINE BRUSH CUTTER Model CG 24EBS

2014 · 4 · 25
(E1)







PARTS

CG 24EBS

ITEM NO.	CODE NO.	DESCRIPTION	NO. USED	REMARKS	
1	6698950	SEAL LOCK HEX. SOCKET HD. BOLT M5 X 30	1		
2	6698478	MUFFLER COVER	1		
3	6696326	HEX. SOCKET HD. BOLT (W/FLANGE) M4 X 18	4		
4	6696819	HEX. SOCKET HD. BOLT M6 X 55	2		
5	949432	BOLT WASHER M6 (10 PCS.)	2		
6	6698477	MUFFLER	1		
7	6600320	HEAT PROTECTION PANEL	1		
8	6698386	HEX. SOCKET HD. BOLT (W/SP.WASHER) M5 X 18	8		
9	6699454	CYLINDER COVER	1		
10	6600008	COLLAR (B)	2		
*	11	RCM+EAC MARK	1	FOR RUS,AUS,NZL	
	12	6698844	SEAL LOCK HEX. SOCKET BOLT (W/WASHERS) M5	4	
*	13	6699322	SPARK PLUG ASS'Y CJ6	1	
*	13	6699316	SPARK PLUG ASS'Y BMR7A	1	FOR RUS,AUS,NZL
	14	6698468	COVER PACKING	2	
	15	6698469	SCAVENGING COVER (A)	1	
	16	6698385	HEX. SOCKET HD. BOLT M4 X 12	4	
	17	6698700	GLASS WASHER	2	
	18	6698470	SCAVENGING COVER (B)	1	
	19	6698465	CYLINDER	1	
	20	6699437	INTAKE PACKING	1	
	21	6698387	CARBURETOR INSULATOR	1	
	22	6698405	CARBURETOR PACKING	1	
	23	6691337	SWIVEL CAP	1	
*	24	6600321	CARBURETOR ASS'Y WYC-36	1	INCLUD.25-39
*	24	6698728	CARBURETOR ASS'Y WYC-30	1	INCLUD.25-39 FOR BRA
	25	6699287	CABLE ADJUST STAY	1	
	26	6696830	SWIVEL	1	
	27	6684696	STOP RING	1	
	28	6684692	PUMP GASKET	1	
	29	6684693	PUMP DIAPHRAGM	1	
	30	6691242	PUMP PLATE	1	
	31	6685222	DIAPHRAGM COVER-METERING	1	
	32	6691312	SET SCREW	4	
	33	6696829	SET SCREW M3 X 12	2	
	34	6684695	O-RING	1	
	35		MAIN JET	1	
	36	6691234	CIRCUIT PLATE	1	
	37	6696828	PUMP BODY COMP.	1	
	38	6685220	DIAPHRAGM PACKING-METERING	1	
	39	6684690	METERING DIAPHRAGM	1	
	40	307224	MACHINE SCREW (W/WASHERS) M5 X 60 (BLACK)	2	
	41	6699014	FUEL PIPE L70	1	
	42	6696832	AIR CLEANER HOUSING	1	
	43	6685139	PRIMING PUMP COMP.	1	
	44	6690347	CLEANER ELEMENT	1	
	45	6699185	CLEANER COVER	1	
	46	6699132	AIR CLEANER (A) ASS'Y	1	INCLUD.42-45
	47	6684587	CYLINDER GASKET	1	
	48	6698404	PISTON RING	2	

PARTS

CG 24EBS

ITEM NO.	CODE NO.	DESCRIPTION	NO. USED	REMARKS
49	6699456	PISTON	1	
50	6684590	CIR CLIP	2	
51	6684899	WOODRUFF KEY 3 X 13 X 4.5	1	
52	6684591	PISTON PIN	1	
53	6684606	CRANK CASE ASS'Y	1	INCLUD.54-56,59
54	6684609	CRANK CASE GASKET	1	
55	6684607	OIL SEAL TB 12227	2	
56	6684608	BALL BEARING 6001 C3	2	
* 57	6696946	SHIM T0.2	1	
* 57	6696945	SHIM T0.3	1	
58	6696533	CRANK SHAFT COMP.	1	
59	6696947	KNOCK PIN 4 X 12	4	
60	6684681	STARTER PULLEY ASS'Y	1	INCLUD.61-63
61	6684683	STOP RING E-5	2	
62	6684684	STARTER PAWL SPRING	2	
63	6684685	STARTER PAWL	2	
64	6699995	RECOIL STARTER BODY ASS'Y	1	INCLUD.65-72
65	6684679	SET SCREW	1	
66	6699996	CAM PLATE	1	
67	6684677	DAMPER SPRING	1	
68	6699997	STARTER ROPE REEL	1	
69	6684675	RECOIL SPRING	1	
70	6684673	RECOIL STARTER BODY COMP.	1	
71	6684674	STARTER ROPE 3.5 X 860	1	
72	6684680	STARTER HANDLE	1	
73		NAME PLATE	1	
* 74	6698921	TANK MARK LABEL (50:1)	1	
* 74	6698922	TANK MARK LABEL (25:1)	1	FOR TPE,ISR
* 91	6699195	MACHINE SCREW M5 X 20 (BLACK)	2	FOR (SL)
* 92	6699194	P TIGTH SCREW D4 X 20 (BLACK)	4	FOR (SL)
* 93	6699197	SWITCH WIRE SET	1	FOR (SL)
* 94	6699196	NUT M5	2	FOR (SL)
* 95	6699192	STOP LEVER	1	FOR (SL)
* 96	6699191	LONG LEVER	1	FOR (SL)
* 97	6699193	RETURN SPRING	1	FOR (SL)
* 98	6699190	STAY SET	1	FOR (SL)
* 99	6699133	THROTTLE LEVER (A) ASS'Y	1	INCLUD.91-98 FOR (SL)
100	6699176	HEX. SOCKET HD. BOLT (W/SP.WASHER) M5 X 12	1	
101	6695492	HEX. HOLE BOLT 5 X 22/S	2	
102	6696963	ANTI VIBE RUBBER (A)	1	
103	6698643	PIPE HOLDER (A)	1	
104	6698644	PIPE HOLDER (B)	1	
105	6696964	ANTI VIBE RUBBER (B)	1	
106	939542	RETAINING RING FOR D12 SHAFT (10 PCS.)	1	
107	6699457	FAN CASE (A)	1	
108	6699435	BALL BEARING 6301ZZC3	1	
109	322813	RETAINING RING 37MM	1	
110	6699434	CLUTCH SHAFT	1	
111	6696469	STEP BOLT	2	
112	6684648	BENT WASHER 8	2	

PARTS

CG 24EBS

ITEM NO.	CODE NO.	DESCRIPTION	NO. USED	REMARKS
113	6696546	CLUTCH PLATE (A)	2	
114	6699130	CLUTCH	1	
115	6699131	CLUTCH WASHER (B)	2	
116	6685337	FLYWHEEL NUT	1	
117	323212	BOLT WASHER M8 (BLACK)	1	
118	6698388	HEX. SOCKET HD. BOLT (W/WASHERS) M4 X 18	2	
119	6699458	IGNITION COIL ASS'Y	1	INCLUD.120,121
120	6699932	PLUG CAP	1	
121	6699933	METAL FITTING OF PLUG CAP	1	
122	6696544	CORD	1	
123	6696545	EARTH CORD	1	
124	6699289	MAGNETO ROTOR ASS'Y	1	
125	6698716	FUEL PIPE	1	
126	6698401	FUEL PIPE (PINK)	1	
127	6697846	RETURN GROMMET	1	
128	6698402	FUEL TANK CAP ASS'Y	1	INCLUD.129
129	6698732	TANK CAP CHAIN	1	
130	6698931	FUEL GROMMET	1	
131	6699558	SPACER	1	
132	6699459	SPACER (B)	2	
133	6600317	TANK (B)	1	
134	6684620	PUMP FILTER BODY COMP.	1	
135	6696949	CLIP	1	
136	6694787	STAND	1	
137	6698991	BOLT (W/FLANGE) L27.8	3	
*	151	6699446	THROTTLE LEVER (B)	1 FOR (S)
*	152	6699448	LOOP HANDLE (W/BARRIER)	1 FOR AUS,NZL
*	153	6699449	LOOP HANDLE	1 EXCEPT FOR AUS,NZL
*	154	6684709	HEX. HOLE BOLT M5 X 25/S	4 FOR (S)
*	155	6696576	HANDLE HOLDER (A)	1 FOR (S)
*	156	6698638	HANDLE (LEFT)	1 FOR (S)
*	157	6699447	HANDLE (RIGHT)	1 FOR (S)
*	158	6696577	HANDLE HOLDER (B)	1 FOR (S)
*	159	6696578	HANDLE HOLDER (C)	1 FOR (S)
*	160	6684714	HEX. HOLE BUTTON SCREW 6 X 25S	2 FOR (S)
161	6699439	GEAR CASE ASS'Y (4BB)	1	INCLUD.162-171
162	949664	HEX. SOCKET HD. BOLT M5 X 30 (10 PCS.)	1	
163	6695414	SCREW 5 X 12/W.S	1	
164	6600005	CAP	1	
165	6600006	SPRING	1	
166	6684737	BOLT (W/PLUS) M6 X 8	1	
167	6600007	LOCK PIN	1	
168	6699441	CUTTER HOLDER (A)	1	
169	6698659	CUTTER HOLDER (B)	1	
170	6699188	NUT COVER	1	
171	335759	U-NUT (LEFT HAND) M10	1	
172	6698794	COVER	1	
173		NYLON CORD	1	
174	6698795	SET SCREW	1	
175	6698796	REEL	1	

PARTS

ITEM NO.	CODE NO.	DESCRIPTION	NO. USED	REMARKS	
176	6698797	RETURN SPRING	1		
177	6698798	BUTTON	1		
178	6698799	CORD GUIDE	2		
179	6698800	CASE	1		
180	6696454	NYLON HEAD ASS'Y	1	INCLUD.172-179	
* 181	6684714	HEX. HOLE BUTTON SCREW 6 X 25S	2	FOR RUS,AUS,NZL	
* 182	6699442	COVER BRACKET	1	FOR RUS	
* 183	6685064	HEX. SOCKET HD. BOLT (W/BUTTON) M6 X 20	2	EXCEPT FOR RUS,AUS,NZL	
* 184	949455	SPRING WASHER M6 (10 PCS.)	2	EXCEPT FOR RUS,AUS,NZL	
* 185	6696978	COVER BRACKET	2	EXCEPT FOR RUS,AUS,NZL	
* 186	6699444	COVER BRACKET	1	FOR AUS,NZL	
* 187	6685061	LEVEL MARK	1	FOR BRA (S)	
188	6697625	CAUTION MARK HITACHI	1		
* 189	6684852	LEVEL MARK	1	FOR AUS,NZL	
* 190	6684851	LEVEL MARK	1	EXCEPT FOR AUS,NZL	
191	6699445	MAIN PIPE	1		
192	6698514	DRIVE SHAFT	1		
193	6696493	HANGER	1		
* 194	6698515	CAP (A)	1	EXCEPT FOR AUS,NZL	
* 195	6696980	COVER	1	FOR RUS	
* 196	6696951	GUARD HOLDER	1	FOR RUS	
* 197	6696950	COVER GUARD	1	FOR RUS	
* 198	6684751	TAPPING SCREW 4 X 14	1	FOR RUS	
* 199	6684750	KNIFE	1	FOR RUS	
* 200	949554	NUT M4 (10 PCS.)	2	EXCEPT FOR RUS,AUS,NZL	
* 201	6696584	KNIFE	1	EXCEPT FOR RUS,AUS,NZL	
* 202	6698813	COVER HOLDER	1	FOR AUS,NZL	
* 203	6696981	GUARD	1	EXCEPT FOR RUS,AUS,NZL	
* 204	323210	BOLT WASHER M4 (BLACK)	2	EXCEPT FOR RUS,AUS,NZL	
* 205	6685068	MACHINE SCREW (W/SP. WASHER) M4 X 12	2	EXCEPT FOR RUS,AUS,NZL	
* 206	6699450	WIRE CLAMP	2	FOR (S)	
* 207	6697880	COVER ASS'Y	1	INCLUD.208-210 FOR AUS,NZL	
* 208	6690272	GUARD 24 DIA.	1	FOR AUS,NZL	
* 209	6693388	KNIFE	1	FOR AUS,NZL	
* 210	6684753	TAPPING SCREW 5 X 20	1	FOR AUS,NZL	

