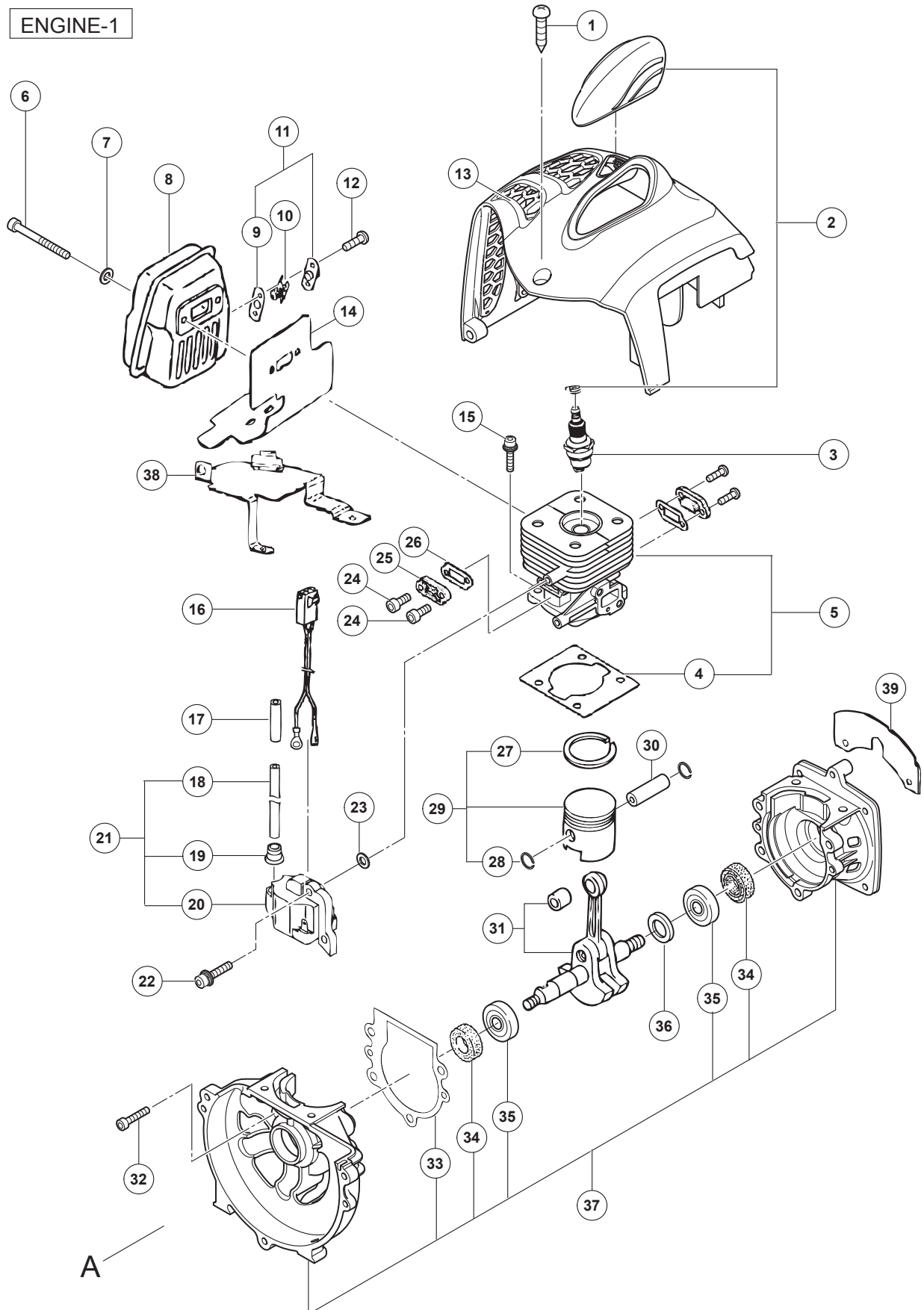


## ENGINE TOOL PARTS LIST

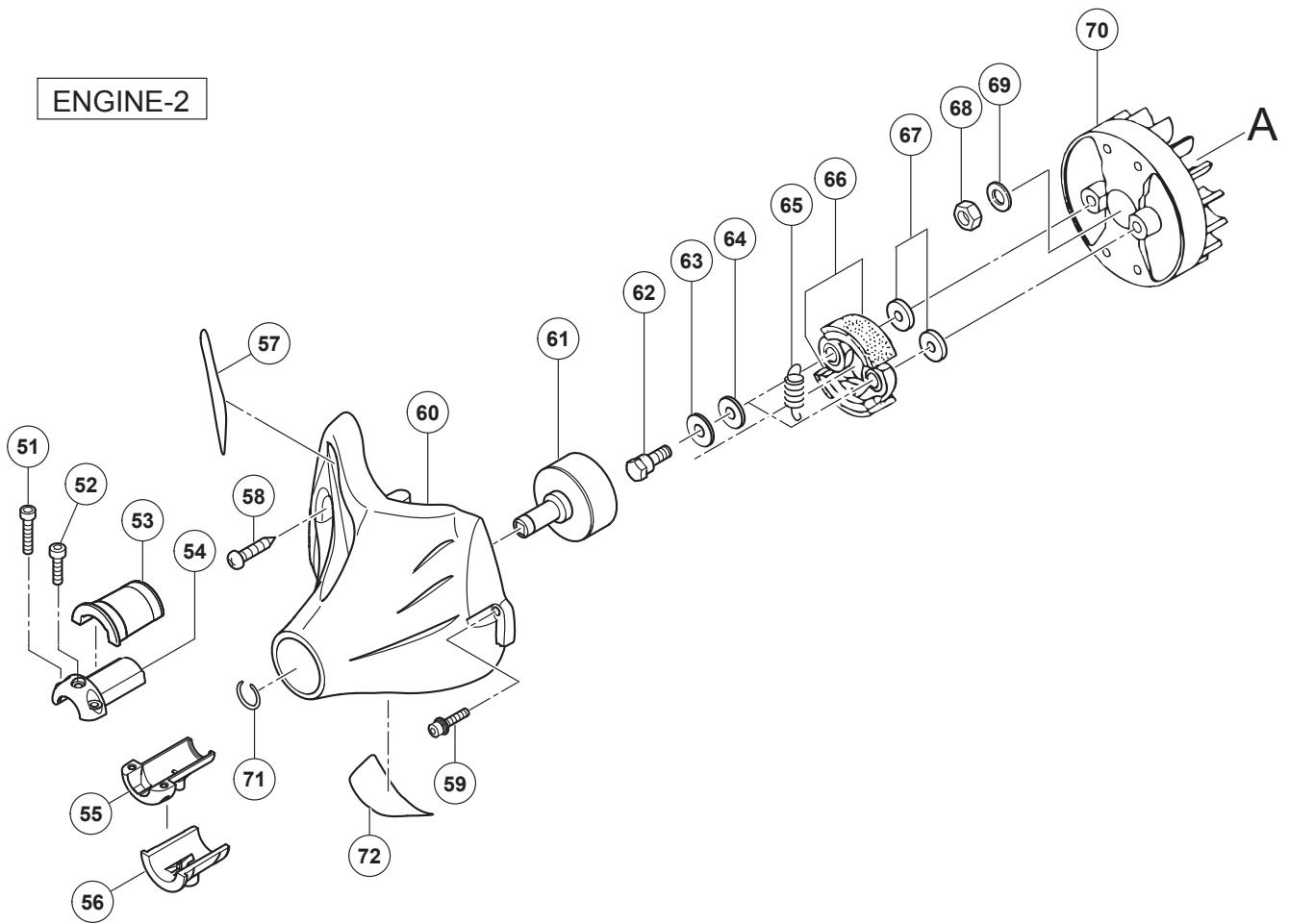
ENGINE GRASS CUTTER  
Model CG 24EKS

2008·11·28  
(E1)

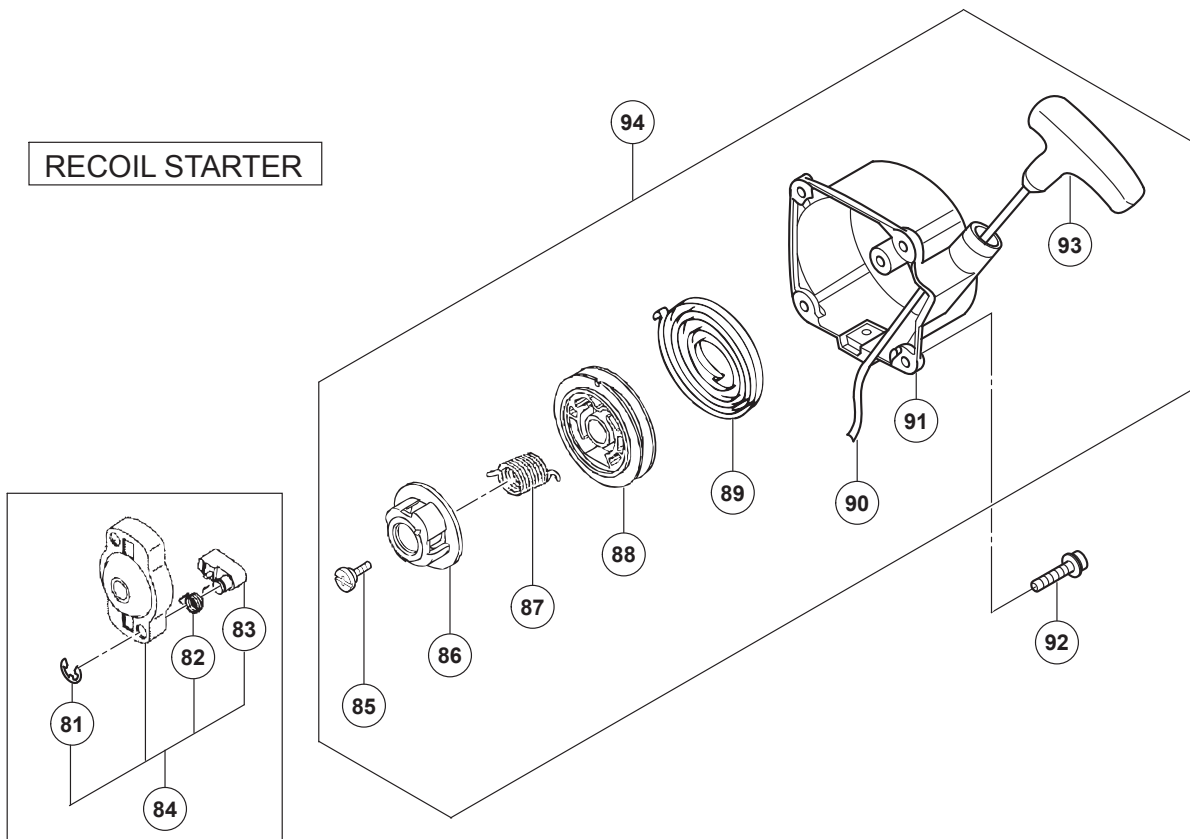
ENGINE-1



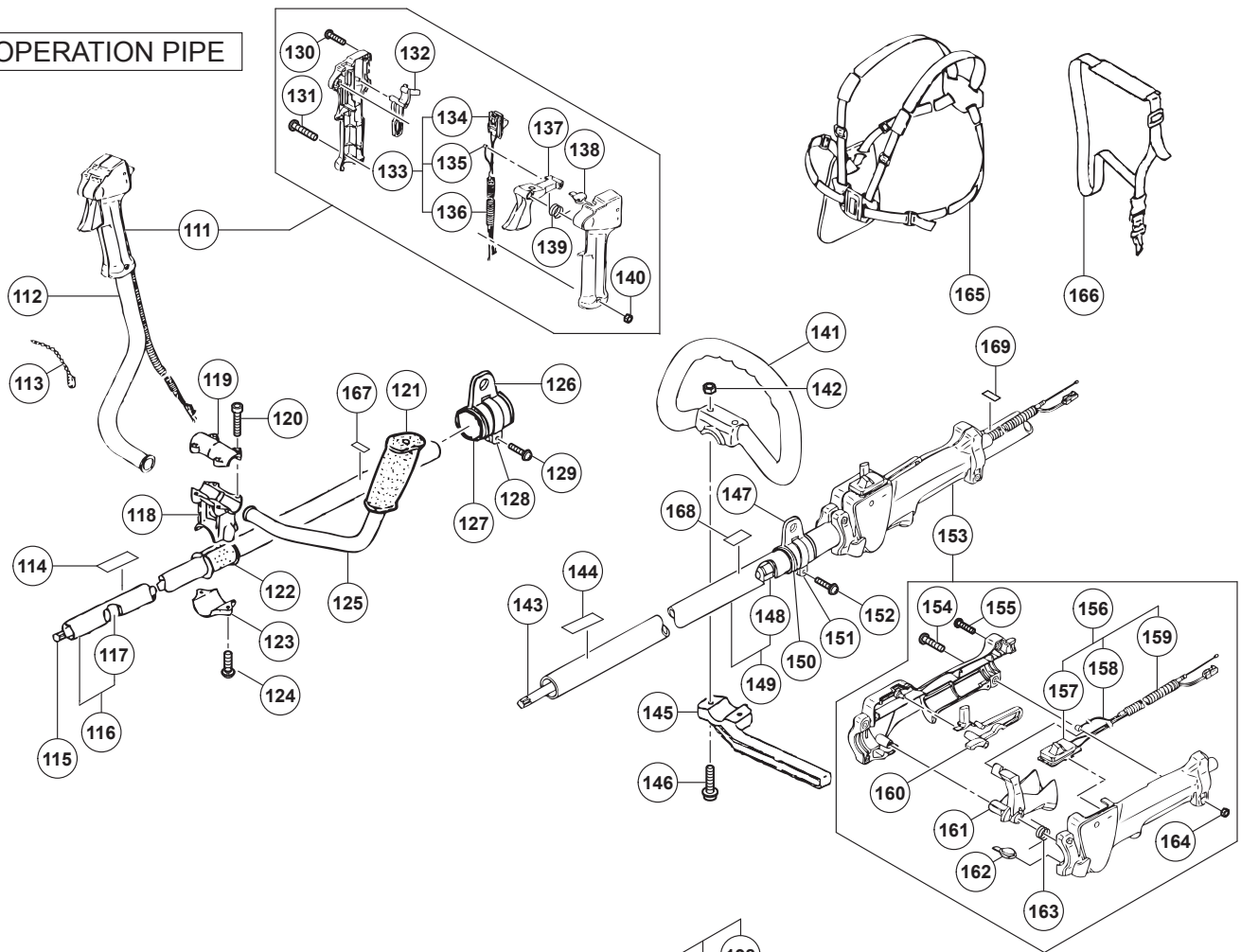
ENGINE-2



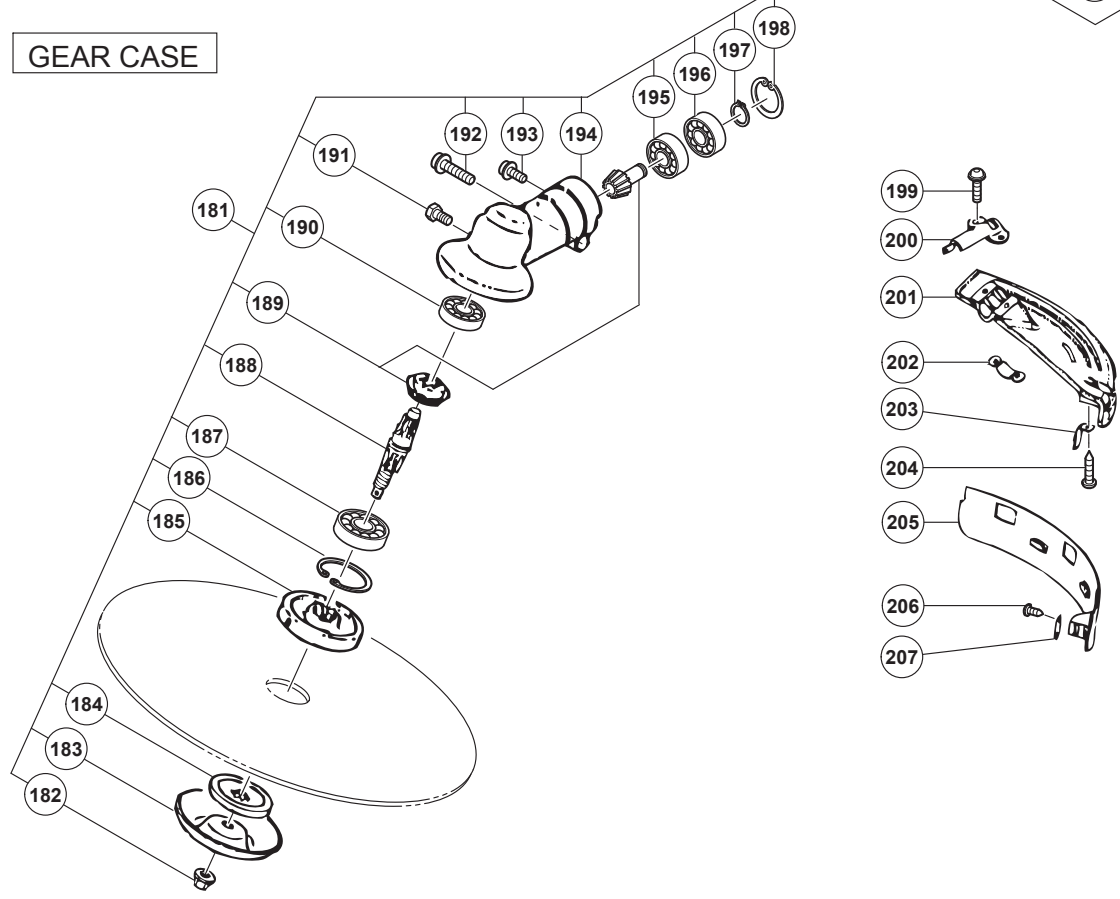
RECOIL STARTER



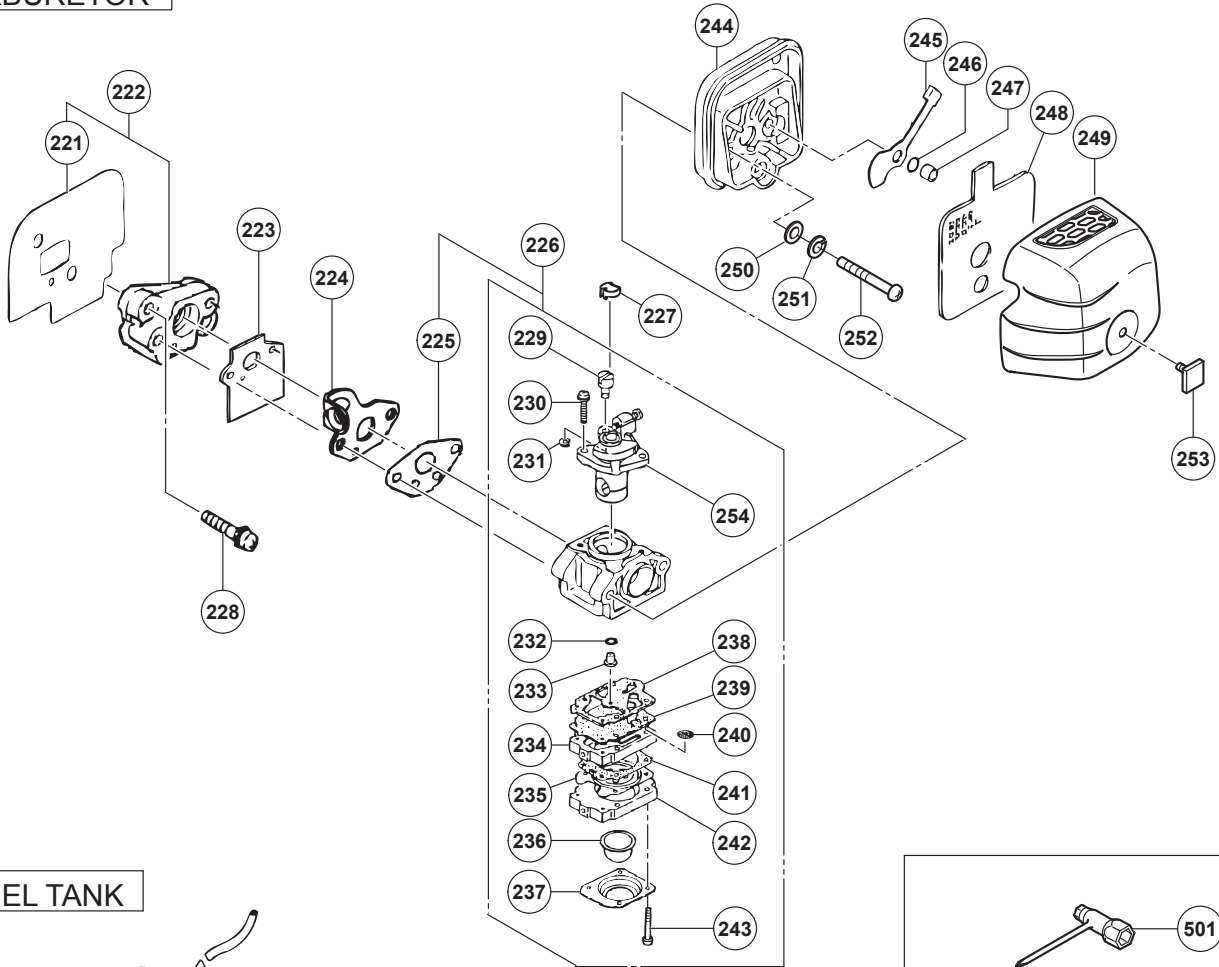
OPERATION PIPE



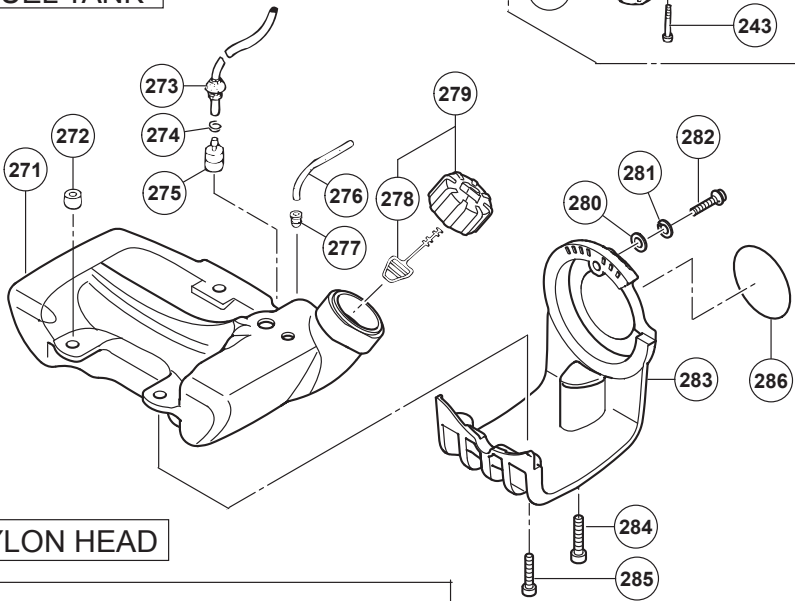
GEAR CASE



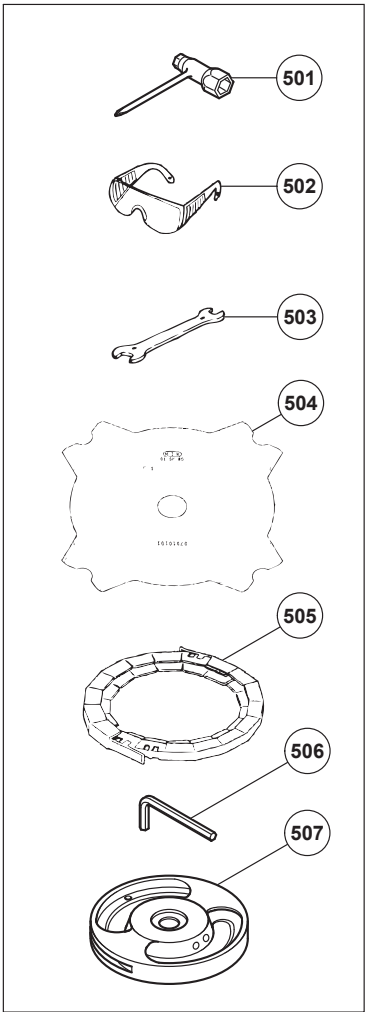
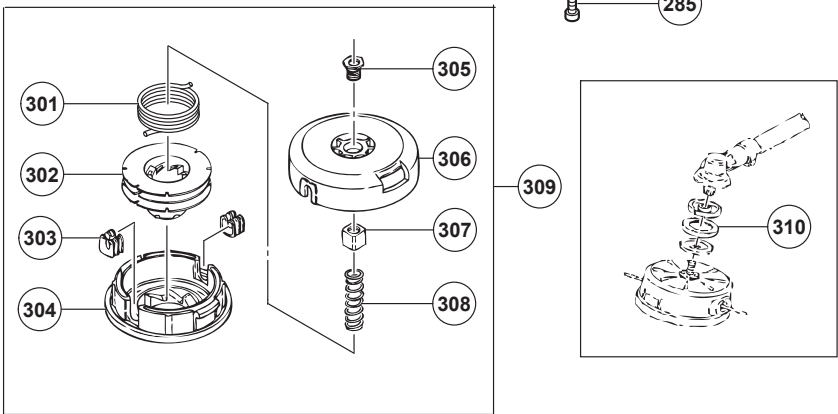
CARBURETOR



FUEL TANK



NYLON HEAD



**PARTS**

CG 24EKS

ITEM NO.	CODE NO.	DESCRIPTION	NO. USED	REMARKS
		ENGINE-1		
1	668-4637	TAPPING SCREW D4.5X12	1	
2	668-4583	SPARK PLUG CAP ASS'Y	1	
3	668-4584	SPARK PLUG BMR7A	1	
4	668-4587	CYLINDER GASKET	1	
5	668-4585	CYLINDER SET	1	INCLUD. 4
6	668-4638	HEX. HOLE BOLT M6X55	2	
7	668-4639	WASHER 6	2	
* 8	668-4640	MUFFLER COMP.	1	
* 8	668-4842	MUFFLER COMP.	1	FOR NON-EMISSION AREA
9	668-4650	MUFFLER SPECIAL GASKET	1	
10	668-4652	SPARK ARRESTOR	1	
* 11	668-4649	TAIL PIPE SET	1	INCLUD. 9
* 11	668-4843	TAIL PIPE SET	1	INCLUD. 9 FOR AUS
12	668-4651	SCREW M4X8/WS	2	
13	668-4635	MUFFLER PROTECTOR	1	
14	668-4641	HEAT SHIELD	1	
15	668-4586	HEX. HOLE BOLT M5X18/S	4	
16	668-4603	LEAD WIRE ASS'Y	1	
17	668-4597	INSULATOR TUBE 50L	1	
18	668-4596	HIGH TENSION CORD	1	
19	668-4602	RUBBER CAP	1	
20	668-4598	IGNITION COIL COMP.	1	
21	668-4601	IGNITION COIL ASS'Y	1	INCLUD. 18-20
22	668-4599	HEX. HOLE BOLT M4X18/WS	2	
23	668-4600	WASHER	2	
24	668-4595	HEX. HOLE BOLT M4X12/S	4	
25	668-4594	INTAKE COVER	2	
26	668-4593	COVER PACKING	2	
27	668-4588	PISTON RING	2	
28	668-4590	PISTON PIN CIRCLIP	2	
29	668-4589	PISTON SET	1	INCLUD. 27, 28
30	668-4591	PISTON PIN	1	
31	668-4592	CRANK SHAFT COMP.	1	
32	668-4586	HEX. HOLE BOLT M5X18/S	4	
33	668-4609	CRANK CASE GASKET	1	
34	668-4607	OIL SEAL TB 12227	2	
35	668-4608	BALL BEARING 6001 C3	2	
36	668-4604	GEAR SHAFT SHIM 0.20	1	
36	668-4605	GEAR SHAFT SHIM 0.30	1	
37	668-4606	CRANK CASE ASS'Y	1	INCLUD. 33-35
38	668-4844	HEAT SHIELD B COMP.	1	
39	668-4845	PARTITION PLATE	1	
		ENGINE-2		
51	668-4668	HEX. HOLE BOLT M5X20/S	2	
52	668-4667	HEX. HOLE BOLT M5X12/S	1	
53	668-4666	ANTI-VIBE RUBBER A	1	
54	668-4670	PIPE HOLDER A	1	
55	668-4671	PIPE HOLDER B	1	
56	668-4665	ANTI-VIBE RUBBER B	1	

**PARTS**

CG 24EKS

ITEM NO.	CODE NO.	DESCRIPTION	NO USED	REMARKS
57	668-4846	SYMBOL MARK HITACHI	1	
58	668-4636	TAPPING SCREW D4.5X16	1	
59	668-4647	HEX. HOLE BOLT M5X18/WS	3	
60	668-4669	FAN CASE COMP. (ORANGE)	1	
61	668-4663	CLUTCH DRUM COMP.	1	
62	668-4646	STEP BOLT	2	
63	668-4648	BENT WASHER 8	2	
64	668-4645	CLUTCH PLATE A 0.5	2	
65	668-4644	CLUTCH SPRING	1	
66	668-4643	CLUTCH SHOE COMP.	2	
67	668-4642	CLUTCH WASHER B	2	
68	668-4612	HEX. NUT M8	1	
69	668-4611	WASHER M8	1	
70	668-4610	MAGNETO ROTOR COMP.	1	
71	668-4664	STOP RING C-12 OUTER	1	
72		CAUTION MARK	1	
		RECOIL STARTER		
81	668-4683	STOP RING E-5	2	
82	668-4684	STARTER PAWL SPRING	2	
83	668-4685	STARTER PAWL	2	
84	668-4681	STARTER PULLEY ASS'Y	1	INCLUD. 81-83
85	668-4679	SET SCREW	1	
86	668-4678	CAM PLATE	1	
87	668-4677	DUMPER SPRING	1	
88	668-4676	STARTER ROPE REEL	1	
89	668-4675	RECOIL SPRING	1	
90	668-4674	STARTER ROPE 3.5X860	1	
91	668-4673	RECOIL STARTER BODY COMP.	1	
92	668-4682	HEX. HOLE BOLT 4X15/PS	4	
93	668-4680	STARTER HANDLE	1	
94	668-4672	RECOIL STARTER BODY ASS'Y	1	INCLUD. 85-91, 93
		OPERATION PIPE		
* 111	668-4720	THROTTLE LEVER ASS'Y	1	INCLUD. 130-133, 137-140 FOR (S) TYPE
* 112	668-4719	RIGHT HANDLE	1	FOR (S) TYPE
* 113	668-4715	CLAMP B.	3	FOR (S) TYPE
* 114	668-4850	CAUTION MARK 9900RPM	1	FOR (S) TYPE
* 115	668-4701	DRIVE SHAFT	1	FOR (S) TYPE
* 116	668-4702	DRIVE SHAFT PIPE COMP. 1500L	1	INCLUD. 117 FOR (S) TYPE
* 117	668-4703	BUSHING ASS'Y	5	FOR (S) TYPE
* 118	668-4711	HANDLE BRACKET B	1	FOR (S) TYPE
* 119	668-4710	HANDLE BRACKET A	1	FOR (S) TYPE
* 120	668-4709	HEX. HOLE BOLT M5X25/S	4	FOR (S) TYPE
* 121	668-4708	HANDLE GRIP	1	FOR (S) TYPE
* 122	668-4712	HANDLE BRACKET RUBBER	1	FOR (S) TYPE
* 123	668-4713	HANDLE BRACKET C	1	FOR (S) TYPE
* 124	668-4714	HEX. HOLE BUTTON SCREW 6X25S	2	FOR (S) TYPE
* 125	668-4716	LEFT HANDLE	1	FOR (S) TYPE
* 126	668-4705	HANGER	1	FOR (S) TYPE
* 127	668-4704	HANGER COLLAR	1	FOR (S) TYPE
* 128	668-4706	HANGER FIXING BRACKET	1	FOR (S) TYPE

**PARTS**

CG 24EKS

ITEM NO.	CODE NO.	DESCRIPTION	NO. USED	REMARKS
*	129	668-4709	HEX. HOLE BOLT M5X25/S	1 FOR (S) TYPE
*	130	668-4725	SCREW M4X20 (BLACK)	2 FOR (S) TYPE
*	131	668-4726	SCREW 5X30 (BLACK)	1 FOR (S) TYPE
*	132	668-4721	SAFETY LEVER	1 FOR (S) TYPE
*	133	668-4730	THROTTLE WIRE COMP.	1 INCLUD. 134-136 FOR (S) TYPE
*	134	668-4728	STOP BUTTON COMP.	1 FOR (S) TYPE
*	135	668-4729	THROTTLE WIRE	1 FOR (S) TYPE
*	136	668-4717	PROTECTION TUBE 7X870L	1 FOR (S) TYPE
*	137	668-4723	THROTTLE LEVER	1 FOR (S) TYPE
*	138	668-4724	BLIND PLUG	1 FOR (S) TYPE
*	139	668-4722	RETURN SPRING	1 FOR (S) TYPE
*	140	668-4727	CONTAL NUT 5	1 FOR (S) TYPE
*	141	668-4836	HANDLE	1 FOR (SL) TYPE
*	142	668-4835	HEX. NUT 6	2 FOR (SL) TYPE
*	143	668-4701	DRIVE SHAFT	1 FOR (SL) TYPE
*	144	668-4850	CAUTION MARK 9900RPM	1 FOR (SL) TYPE
*	145	668-4837	BARRIER (BLACK)	1 FOR (SL) TYPE
*	146	668-4838	BOLT 6X43/P (BLACK)	2 FOR (SL) TYPE
*	147	668-4705	HANGER	1 FOR (SL) TYPE
*	148	668-4703	BUSHING ASS'Y	5 FOR (SL) TYPE
*	149	668-4702	DRIVE SHAFT PIPE COMP. 1500L	1 INCLUD. 148 FOR (SL) TYPE
*	150	668-4704	HANGER COLLAR	1 FOR (SL) TYPE
*	151	668-4706	HANGER FIXING BRACKET	1 FOR (SL) TYPE
*	152	668-4709	HEX. HOLE BOLT M5X25/S	1 FOR (SL) TYPE
*	153	668-4790	THROTTLE LEVER ASS'Y	1 INCLUD. 154-156, 160-164 FOR (SL) TYPE
*	154	668-4803	SCREW M5X20	2 FOR (SL) TYPE
*	155	668-4725	SCREW M4X20 (BLACK)	4 FOR (SL) TYPE
*	156	668-4797	THROTTLE WIRE COMP.	1 INCLUD. 157-159 FOR (SL) TYPE
*	157	668-4799	STOP BUTTON COMP.	1 FOR (SL) TYPE
*	158	668-4798	THROTTLE WIRE 4T	1 FOR (SL) TYPE
*	159	668-4800	PROTECTION TUBE 7X185L	1 FOR (SL) TYPE
*	160	668-4721	SAFETY LEVER	1 FOR (SL) TYPE
*	161	668-4804	THROTTLE LEVER	1 FOR (SL) TYPE
*	162	668-4724	BLIND PLUG	1 FOR (SL) TYPE
*	163	668-4722	RETURN SPRING	1 FOR (SL) TYPE
*	164	668-4727	CONTAL NUT 5	2 FOR (SL) TYPE
*	165	668-4718	SHOULDER BELT CR DOUBLE	1 FOR (S) TYPE
*	166	668-4839	SHOULDER BELT SINGLE	1 FOR (SL) TYPE
*	167	668-4851	LEVEL MARK	1 FOR (S) TYPE
*	168	668-4852	LEVEL MARK	1 FOR (SL) TYPE
*	169	668-4851	LEVEL MARK	1 FOR (SL) TYPE
		GEAR CASE		
	181	668-4731	GEAR CASE ASS'Y 24	1 INCLUD. 182-198
	182	668-4745	FIXING NUT L M10X1.25	1
	183	668-4743	PROTECTION COVER	1
	184	668-4744	CUTTER HOLDER CAP	1
	185	668-4742	CUTTER HOLDER	1
	186	668-4741	STOP RING C-28, INNER	1
	187	668-4740	BALL BEARING 6001DD, 28MM/OD	1
	188	668-4739	GEAR SHAFT	1

**PARTS**

CG 24EKS

ITEM NO.	CODE NO.	DESCRIPTION	NO USED	REMARKS	
189	668-4752	GEAR PINION SET	1		
190	668-4738	BALL BEARING #608, 22MM/OD	1		
191	668-4737	BOLT (W/PLUS) M6X8	1		
192	668-4973	HEX. HOLE BOLT M5X30/WS	1		
193	668-4667	HEX. HOLE BOLT M5X12/S	1		
194	668-4736	GEAR CASE 24	1		
195	668-4734	BALL BEARING 609	1		
196	668-4735	BALL BEARING 609Z ST	1		
197	668-4733	STOP RING 9	1		
198	668-4732	STOP RING C-24, INNER	1		
199	668-4714	HEX. HOLE BUTTON SCREW 6X25S	2		
200	668-4746	COVER BRACKET	1		
201	668-4747	BLADE GUARD 24 CE	1		
202	668-4748	SAFETY COVER HOLDER	1		
203	668-4754	KNIFE	1		
204	668-4753	TAPPING SCREW 5X20	1		
205	668-4749	COVER GUARD	1		
206	668-4751	TAPPING SCREW 4X14	1		
207	668-4750	KNIFE	1		
		CARBURETOR			
221	668-4613	INSULATOR GASKET	1		
222	668-4840	INSULATOR SET	1	INCLUD. 221	
223	668-4616	CARBURETOR GASKET	1		
224	668-4629	THROTTLE WIRE FIXING PLATE	1		
225	668-4615	CARBURETOR GASKET	1		
*	226	668-4624	CARBURETOR SET WYL-259	1 INCLUD. 225, 229-239, 241-243	
*	226	668-4841	CARBURETOR SET WYL-262	1 INCLUD. 225, 229-239, 241-243, 254	
				FOR NON-EMISSION AREA	
227	668-4628	SWIVEL CAP	1		
228	668-4617	HEX. HOLE BOLT 5X25/WS	2		
229	668-4697	SWIVEL	1		
230	668-4698	THROTTLE SET SCREW	2		
231	668-4696	STOP RING	1		
232	668-4695	O-RING	1		
*	233	668-4694	MAIN JET 33	1	
*	233	668-4854	MAIN JET 35	1 FOR NON-EMISSION AREA	
234	668-4686	PUMP BODY COMP.	1	INCLUD. 240	
235	668-4690	METERING DIAPHRAGM	1		
236	668-4689	PRIMING BODY	1		
237	668-4688	DIAPHRAGM COVER	1		
238	668-4693	PUMP DIAPHRAGM	1		
239	668-4692	PUMP GASKET	1		
240	668-4700	INLET SCREEN	1		
241	668-4691	DIAPHRAGM GASKET	1		
242	668-4687	PRIMING PUMP COMP.	1		
243	668-4699	SET SCREW	4		
244	668-4656	CLEANER BODY COMP.	1		
245	668-4657	CHOKE VALVE	1		
246	668-4658	WAVE WASHER 8	1		
247	668-4659	COLLAR 8	1		



**PARTS**

CG 24EKS

ITEM NO.	CODE NO.	DESCRIPTION	NO. USED	REMARKS
248	668-4654	AIR CLEANER ELEMENT	1	
249	668-4653	CLEANER COVER	1	
250	668-4661	WASHER 5	2	
251	668-4662	S. WASHER 5	2	
252	668-4660	SCREW M5X60	2	
253	668-4655	COVER FIXING BOLT	1	
* 254	668-4853	VALVE ASSEMBLY-THROTTLE	1	FOR NON-EMISSION AREA
		FUEL TANK		
271	668-4621	TANK (WHITE)	1	
272	668-4623	COLLAR C	3	
273	668-4618	FUEL PIPE ASS'Y	1	
274	668-4619	CLIP, 6.3 DIA.	1	
275	668-4620	PUMP FILTER BODY COMP.	1	
276	668-4626	FUEL PIPE 3X5X65	1	
277	668-4627	RETURN GROMMET	1	
278	668-4625	TANK CAP CHAIN	1	
279	668-4622	TANK CAP ASS'Y	1	INCLUD. 278
280	668-4632	WASHER 4	1	
281	668-4633	S. WASHER 4	1	
282	668-4631	HEX. HOLE BOLT M4X45	1	
283	668-4630	STAND	1	
284	668-4617	HEX. HOLE BOLT 5X25/WS	1	
285	668-4634	HEX. HOLE BOLT 5X20/PS	2	
286		NAME PLATE	1	
		NYLON HEAD		
* 301		NYLON CORD 2.4MMX5M	1	FOR EUROPE, AUS (S) TYPE
* 302	668-4760	SPOOL	1	FOR EUROPE, AUS (S) TYPE
* 303	668-4762	EYELET	2	FOR EUROPE, AUS (S) TYPE
* 304	668-4761	CUTTING BODY CAP	1	FOR EUROPE, AUS (S) TYPE
* 305	668-4756	MOUNTING NUT L-M10X1.25	1	FOR EUROPE, AUS (S) TYPE
* 306	668-4757	CUTTING BODY	1	FOR EUROPE, AUS (S) TYPE
* 307	668-4758	SPECIAL NUT	1	FOR EUROPE, AUS (S) TYPE
* 308	668-4759	REEL SPRING	1	FOR EUROPE, AUS (S) TYPE
* 309	668-4755	NYLON HEAD ASS'Y	1	FOR EUROPE, AUS (S) TYPE
* 310	668-4763	WINDING PROTECTOR	1	FOR EUROPE, AUS (S) TYPE

**STANDARD ACCESSORIES**

ITEM NO.	CODE NO.	DESCRIPTION	NO. USED	REMARKS
501	668-4764	BOX WRENCH (HEX. SOCKET 17/19)	1	
* 502	668-4765	SAFETY GLASSES	1	FOR EUROPE
503	668-4766	WRENCH 8X10	1	
* 504	668-4767	CUTTING BLADE 4X230, TYPE M	1	FOR EUROPE, AUS (S) TYPE
* 505	668-4768	CUTTER COVER	1	FOR EUROPE, AUS (S) TYPE
506	668-4813	HEX. BAR WRENCH 4MM	1	
* 507	668-4855	NYLON CORD BODY	1	FOR AUS (SL) TYPE

