

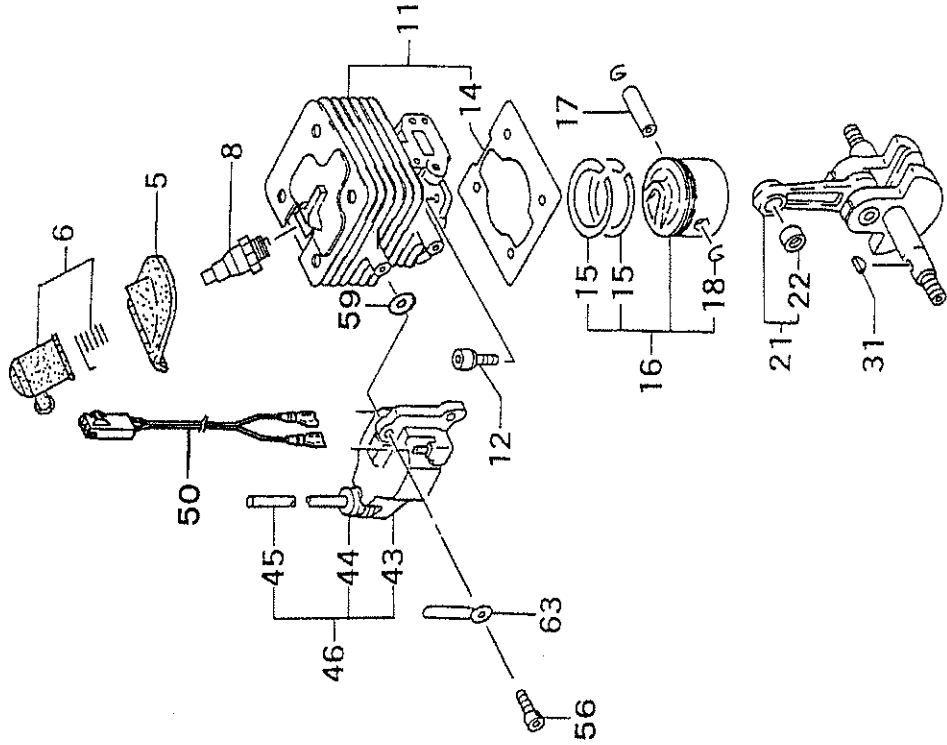
**B21**

**CG40EK(LP)**

**Serial No.**

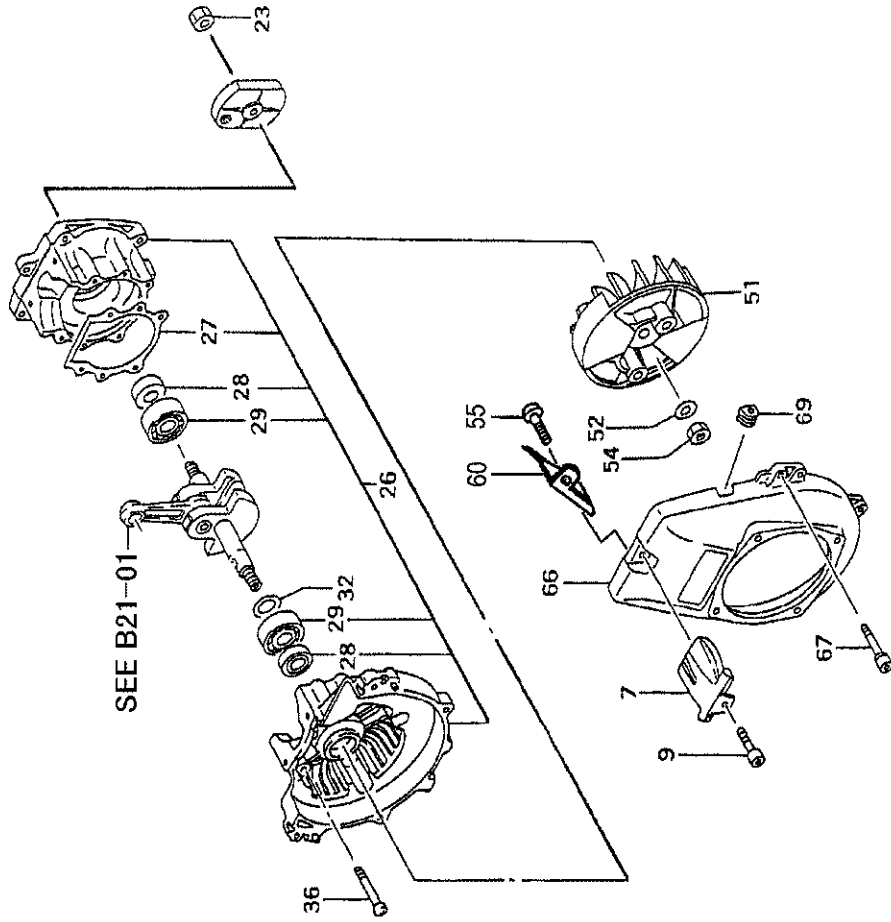
**B21-01**

**CG40EK(LP) CYLINDER/PISTON/CRANK SHAFT**

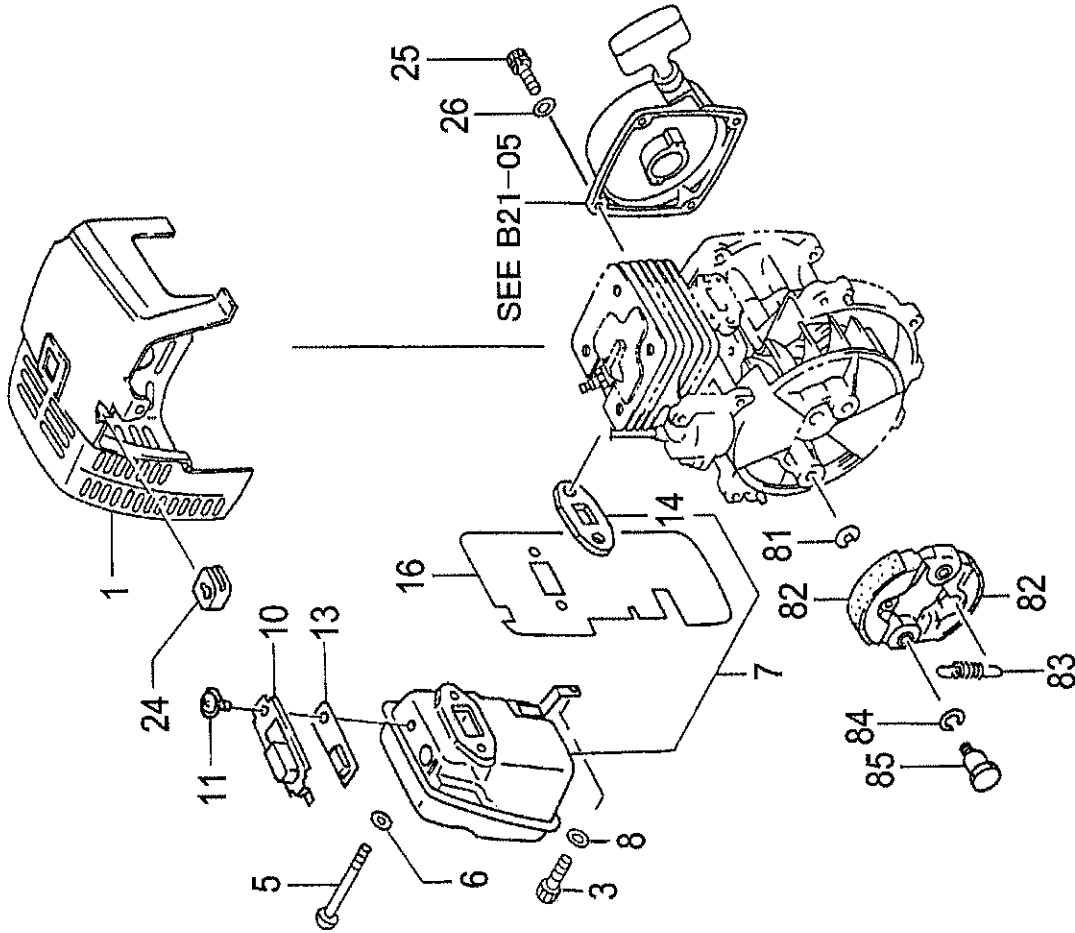


REF. NUMBER	PARTS NUMBER	DESCRIPTION	Q'TY	SERIAL NUMBER
005	668-8336	SPARK PLUG RUBBER COVER	1	
006	668-7479	SPARK PLUG CAP ASSY	1	
008	668-5768	SPARK PLUG, RCJ8Y	1	
011	668-5476	CYLINDER SET	1	
012	668-4668	HEX.HOLE BOLT M5X20/S	4	
014	668-5741	CYLINDER GASKET	1	
015	668-6123	PISTON RING	1	
016	668-5889	PISTON SET	1	
017	668-6007	PISTON PIN 10X30	1	
018	668-6032	PISTON PIN CIRCLIP	2	
021	668-6192	CRANK SHAFT COMP.	1	
022	669-5596	NEEDLE BRG F1010B 1.4X8.6	1	
031	668-6457	WOOD-RUFF KEY 3X13X5	1	
043	668-7655	IGNITION COIL COMP.	1	
044	668-4602	RUBBER CAP	1	
045	668-7885	HIGHT TENSION CORD	1	
046	668-7657	IGNITION COIL ASS'Y	1	
050	668-7970	LEAD WIRE ASSY	1	
056	669-5406	SCREW 4X18/WS	2	
059	668-4600	WASHER	2	
063	668-8011	CORD CLAMP COMP.	1	

# B21-02 CG40EK(LP) CRANK CASE



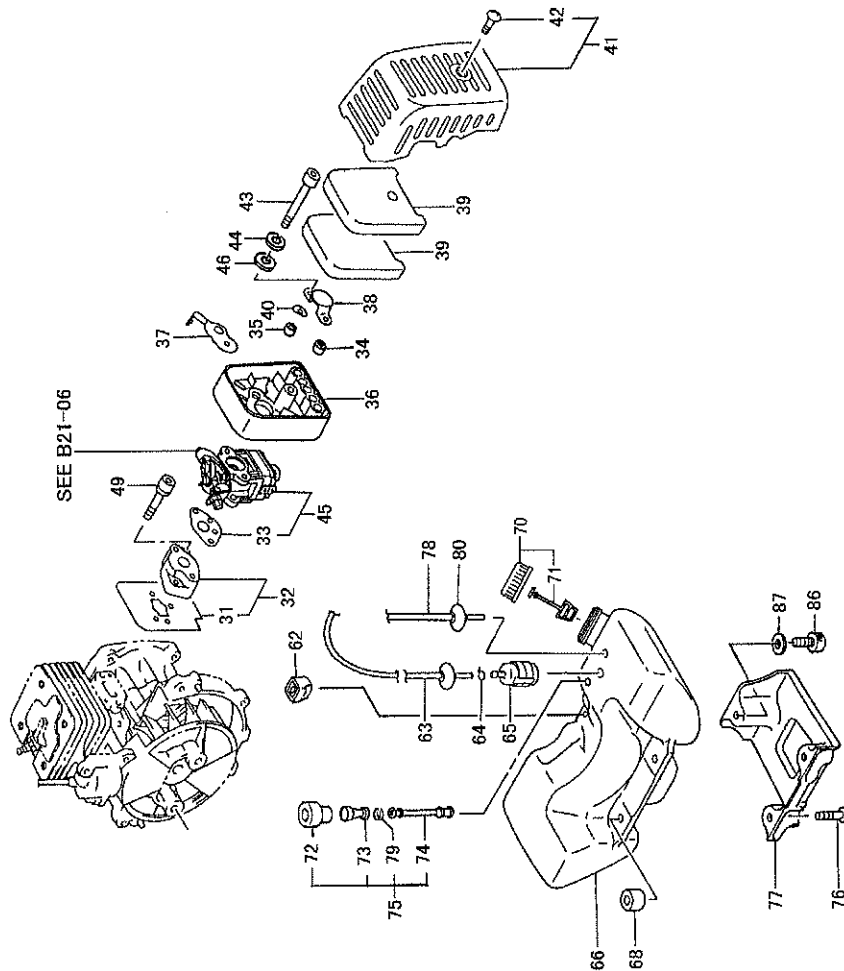
REF. NUMBER	PARTS NUMBER	DESCRIPTION	Q'TY	SERIAL NUMBER
007	668-8348	PROTECTOR	1	
009	668-4634	HEX.HOLE BOLT 5X20/PS	1	
023	669-5139	SMALL NUT 10	1	
026	668-6559	CRANK CASE ASS'Y	1	
027	668-6715	CRANK CASE GASKET	1	
028	669-5637	OIL SEAL UD15257	2	
029	669-5557	BALL BEARING #6202, 35MM/OD	2	
032	668-6472	CRANK SHAFT SHIM 0.20	V	
032	668-6473	CRANK SHAFT SHIM 0.30	V	
036	668-4786	HEX. SOCKET HD. BOLT M5X30 S	4	
051	668-7372	MAGNETO ROTOR COMP.	1	
052	669-5198	WASHER 10	1	
054	669-5138	NUT 10	1	
055	669-5333	SCREW 5X10/S	1	
060	668-7208	AIR DEFLECTOR	1	
066	668-6982	FAN CASE	1	
067	668-4668	HEX.HOLE BOLT M5X20/S	4	
069	668-8057	PRIMARY CORD GROMMET	1	

**B21-03****CG40EK(LP) ENGINE-1**

REF. NUMBER	PARTS NUMBER	DESCRIPTION	Q'TY	SERIAL NUMBER
001	669-2783	MUFFLER PROTECTOR	1	
003	668-4667	HEX.HOLE BOLT M5X12/S	1	
005	669-5067	HEX.HOLE BOLT 6X65	2	
006	668-4639	WASHER 6	2	
007	669-2473	MUFFLER SET,PN	1	
008	668-4918	WASHER M5	1	
010	669-2652	TAIL PIPE	1	
011	668-5109	MACHINE SCREW (W/SP. W	1	
013	669-2696	MUFFLER ARRESTOR	1	
014	669-2741	MUFFLER GASKET	1	
016	668-7245	HEAT SHIELD	1	
024	668-8055	PRIMARY CORD GROMMET	1	
025	668-4709	HEX.HOLE BOLT M5X25/S	2	
026	668-4918	WASHER M5	2	
081	668-9645	CLUTCH WASHER B	2	
082	668-8614	CLUTCH ARM COMP.	2	
083	668-9428	CLUTCH SPRING	1	
084	669-5203	WAVE WASHER 10	2	
085	668-9632	CLUTCH STEP BOLT	2	

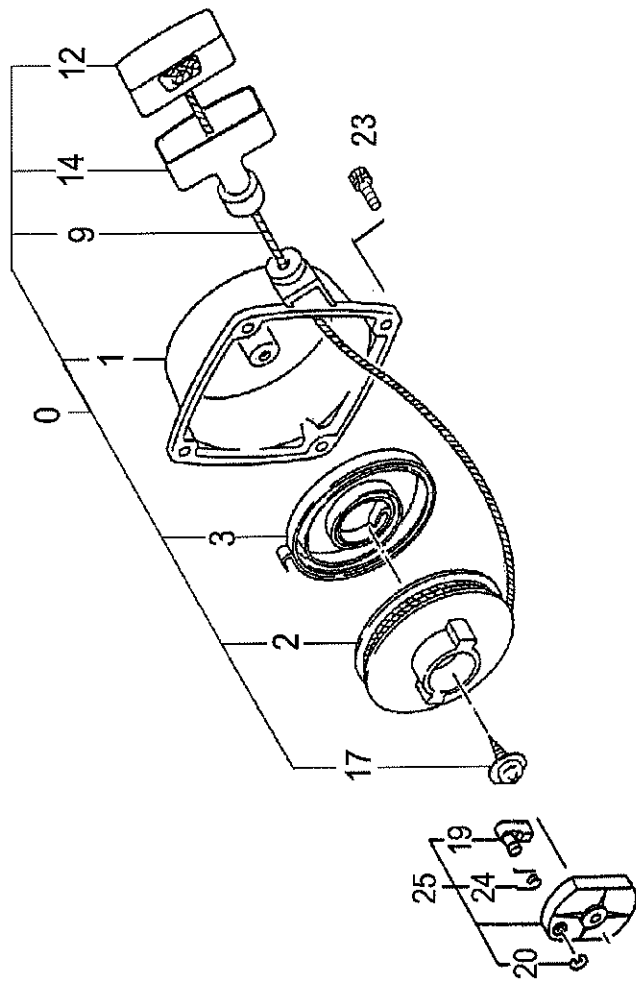
**B21-04**

**CG40EK(LP) ENGINE-2**



REF. NUMBER	PARTS NUMBER	DESCRIPTION	Q'TY	SERIAL NUMBER
031	668-9885	INLET MANIFOLD GASKET	1	
032	668-9955	CARB.INSULATOR SET, SPARE	1	
033	668-9833	CARBURETOR GASKET	1	
034	669-0430	COLLAR	1	
035	669-0802	COLLAR	1	
036	669-0099	CLEANER BODY COMP.	1	
037	669-1258	CHOKE VALVE	1	
038	669-0843	BLOW OVER CHECK BOARD	1	
039	669-0352	CLEANER ELEMENT 6T	2	
040	668-4658	WAVE WASHER 8	1	
041	669-0397	CLEANER COVER ASSY	1	
042	668-9737	SPECIAL SCREW	1	
043	668-4660	SCREW M5X60	2	
044	668-4662	S.WASHER 5	2	
045	669-0476	CARBURETOR SET, PN	1	
046	669-3248	STARTER PAWL WASHER	2	
049	669-5425	HEX. HOLE BOLT 5X25WS	2	
062	669-2182	TANK FIXING COLLAR	1	
063	668-8166	FUEL PIPE ASS'Y 3X5X180	1	
064	668-4619	CLIP,6.3 DIA.	1	
065	669-2273	PUMP FILTER BODY ASSY	1	
066	669-1536	TANK	1	
068	668-4623	COLLAR C	3	
070	669-1714	TANK CAP ASSY	1	
071	668-4625	TANK CAP CHAIN	1	
072	669-1369	AIR VENT RUBBER CAP	1	
073	669-2172	AIR VENT VALVE ASS'Y	1	
074	669-1394	AIR VENT PIPE	1	
075	669-1385	AIR VENT ASS'Y	1	
076	668-4634	HEX.HOLE BOLT 5X20/PS	2	
077	669-4785	ENGINE BED	1	
078	668-4880	FUEL PIPE 3X5X80	1	
079	669-2305	CLIP 5.5	1	
080	668-8156	FUEL PIPE GROMMET	1	
086	668-4786	HEX. SOCKET HD. BOLT M5X30	1	
087	668-4918	WASHER M5	1	

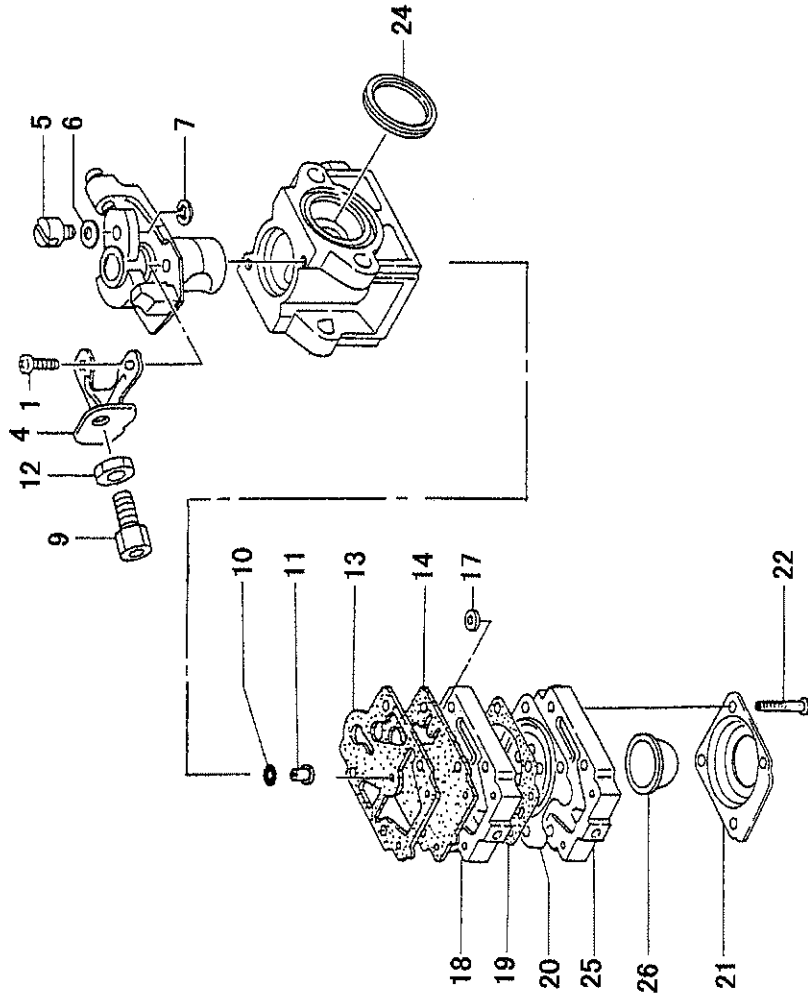
**B21-05 CG40EK(LP) RECOIL STARTER**



REF. NUMBER	PARTS NUMBER	DESCRIPTION	Q'TY	SERIAL NUMBER
000	669-2970	RECOIL STARTER BODY ASSY	1	
001	669-3025	RECOIL STARTER BODY COMP.	1	
002	669-3007	STARTER ROPE REEL	1	
003	669-3114	RECOIL SPRING	1	
009	669-3165	STARTER ROPE	1	
012	669-3607	STARTER HANDLE CAP	1	
014	669-3232	STARTER HANDLE	1	
017	669-3634	SET SCREW	1	
019	669-3302	STARTER PAWL	1	
020	668-4683	STOP RING E-5	1	
023	668-4634	HEX.HOLE BOLT 5X20/PS	2	
024	669-3345	STARTER PAWL SPRING	1	
025	669-3395	STARTER PULLEY	1	

**B21-06**

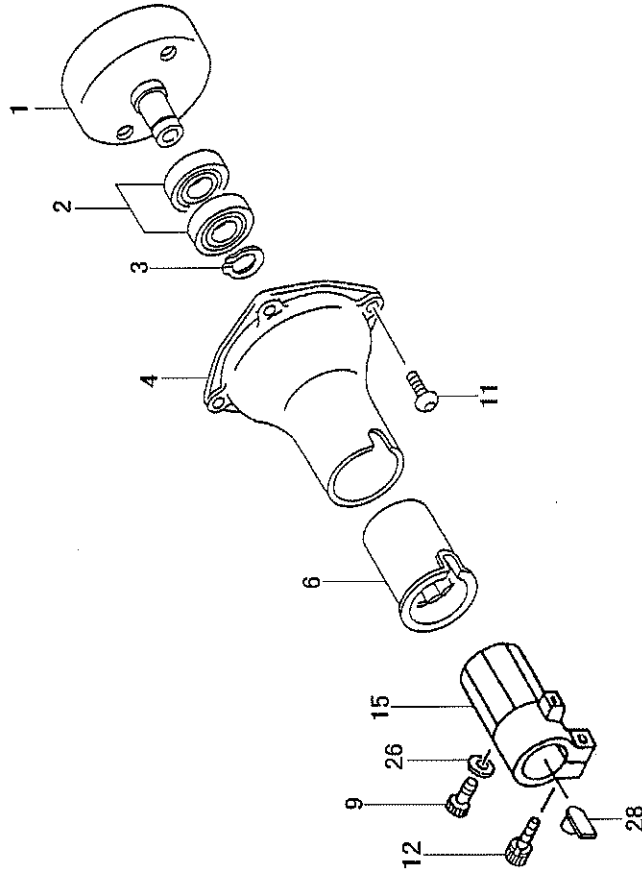
**CG40EK(LP) CABURETOR**



REF. NUMBER	PARTS NUMBER	DESCRIPTION	Q'TY	SERIAL NUMBER
001	668-4870	THROTTLE SET SCREW	2	
004	668-4873	CABLE ADJUSTER STAY	1	
005	668-4697	SWIVEL	1	
006	668-4874	THRUST WASHER	1	
007	668-4696	STOP RING	1	
009	668-4871	CABLE ADJUSTER	1	
010	668-4695	O-RING	1	
011	669-1876	MAIN JET #44	1	
012	669-2005	CABLE ADJUST NUT	1	
013	669-1457	PUMP GASKET	1	
014	668-4693	PUMP DIAPHRAGM	1	
017	668-4700	INLET SCREEN	1	
018	668-4875	PUMP BODY COMP.	1	
019	668-4691	DIAPHRAGM GASKET	1	
020	669-0827	METERING DIAPHRAGM COMP. #	1	
021	668-4688	DIAPHRAGM COVER	1	
022	668-4699	SET SCREW	4	
024	668-4875	CLEANER PACKING	1	
025	668-4687	PRIMING PUMP COMP.	1	
026	668-4689	PRIMING BODY	1	

**B21-07**

**CG40EK(LP) CLUTCH CASE**

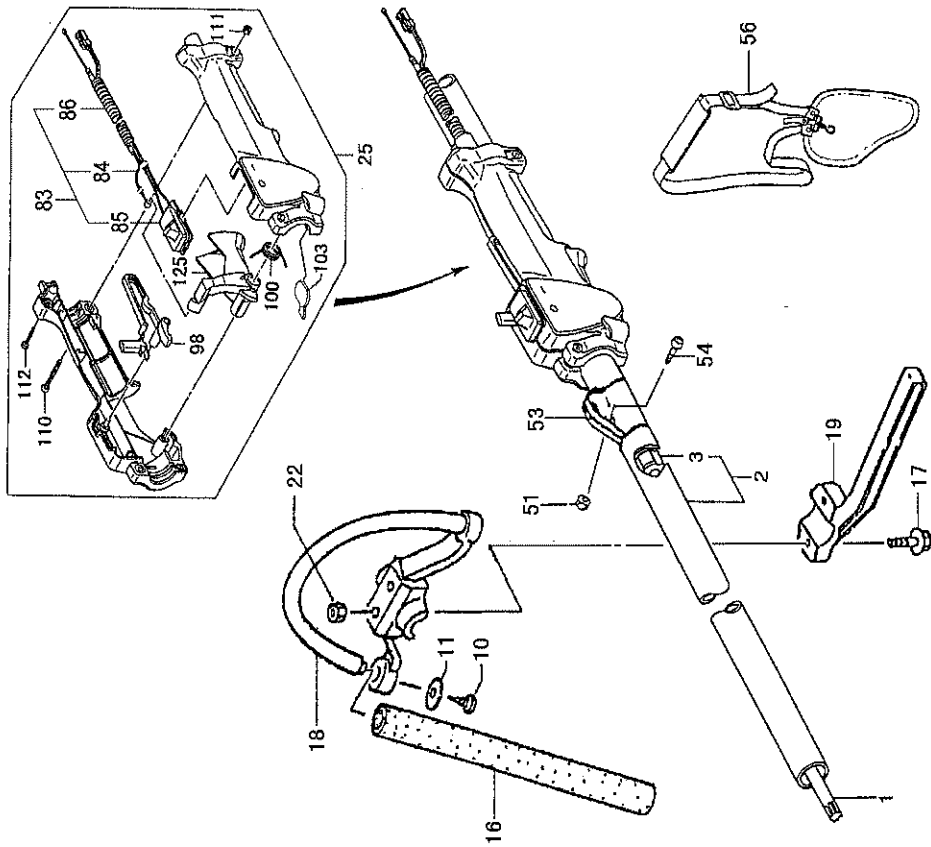


REF. NUMBER	PARTS NUMBER	DESCRIPTION	QTY	SERIAL NUMBER
001	668-8584	CLUTCH SHAFT COMP.	1	
002	669-5559	BALL BEARING #6202Z, 35MM/OD	2	
003	669-5285	STOP RING C-15, OUTER	1	
004	668-9194	CLUTCH CASE	1	
006	669-1829	CUSHION RUBBER	1	
009	669-5046	HEX. HOLE BOLT 5X16	1	
011	668-5064	HEX. SOCKET HD. BOLT (W/BUTT	4	
012	669-5091	HEX HOLE BOLT 5 X 25	1	
015	668-9655	PIPE HOLDER	1	
026	668-4918	WASHER M5	1	
028	668-9664	METAL FITTING	1	



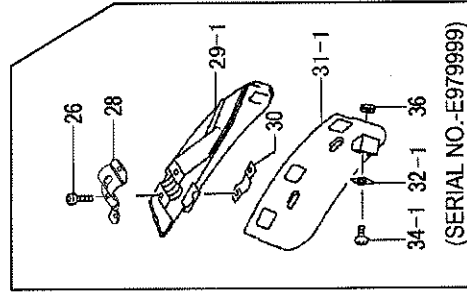
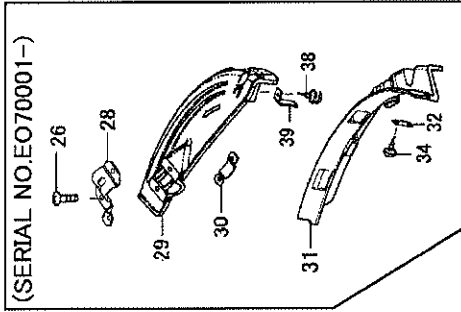
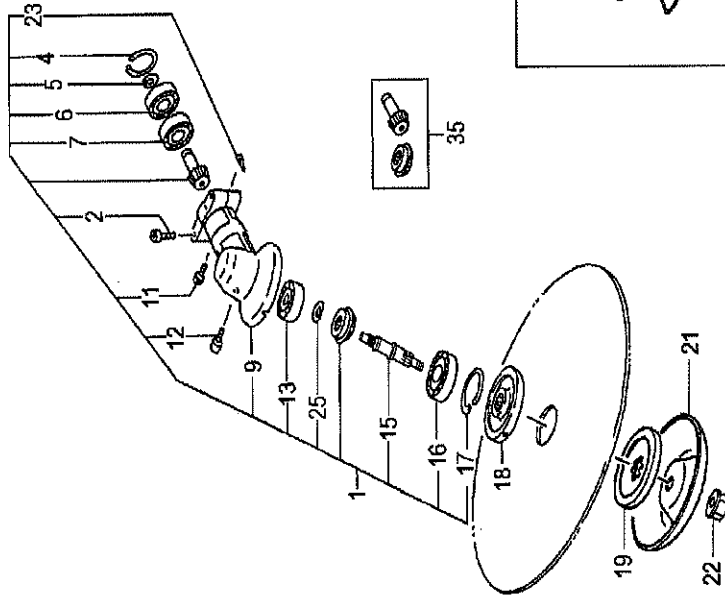
**B21-08**

**CG40EK(LP) OPERATION PIPE**



REF. NUMBER	PARTS NUMBER	DESCRIPTION	Q'TY	SERIAL NUMBER
001	668-9471	DRIVE SHAFT	1	
002	668-9400	DRIVE SHAFT COMP.	1	
003	668-9522	BUSH ASS'Y, 8 DIA.	5	
010	669-5255	TAPPING SCREW 5X20	1	
011	668-9681	BRAKE SHAFT WASHER	1	
016	669-1098	HANDLE GRIP	1	
017	668-4838	BOLT 6X43/P (BLACK)	2	
018	669-1049	LOOP HANDLE, 26DIA., BLACK	1	
019	669-1231	BARRIER, 26 DIA, BLACK	1	
022	668-4835	HEX.NUT 6	2	
025	669-3760	THROTTLE LEVER ASSY	1	
051	668-5058	NUT 5	1	
053	668-9264	LIFTING METAL	1	
054	668-4903	HEX.HOLE BOLT M5X16/S	1	
056	669-2874	SHOULDER BELT ASSY	1	
083	669-3973	THROTTLE WIRE COMP.	1	
084	669-4020	THROTTLE WIRE	1	
085	668-7456	STOP SWITCH COMP.	1	
086	668-7529	PROTECTION TUBE 200L	1	
098	668-4721	SAFETY LEVER	1	
100	668-4722	RETURN SPRING	1	
103	668-4724	BLIND PLUG	1	
110	668-4803	SCREW M5X20	2	
111	668-4727	CONTAL NUT 5	2	
112	668-4725	SCREW M4X20 (BLACK)	4	
125	668-4804	THROTTLE LEVER	1	

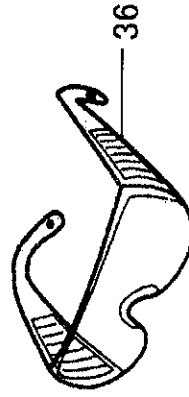
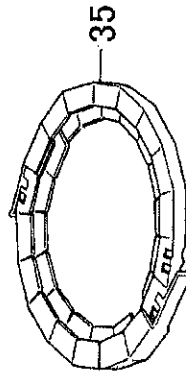
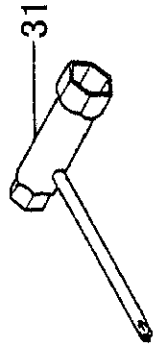
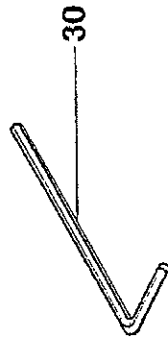
**B21-09 CG40EK(LP) GEAR CASE**



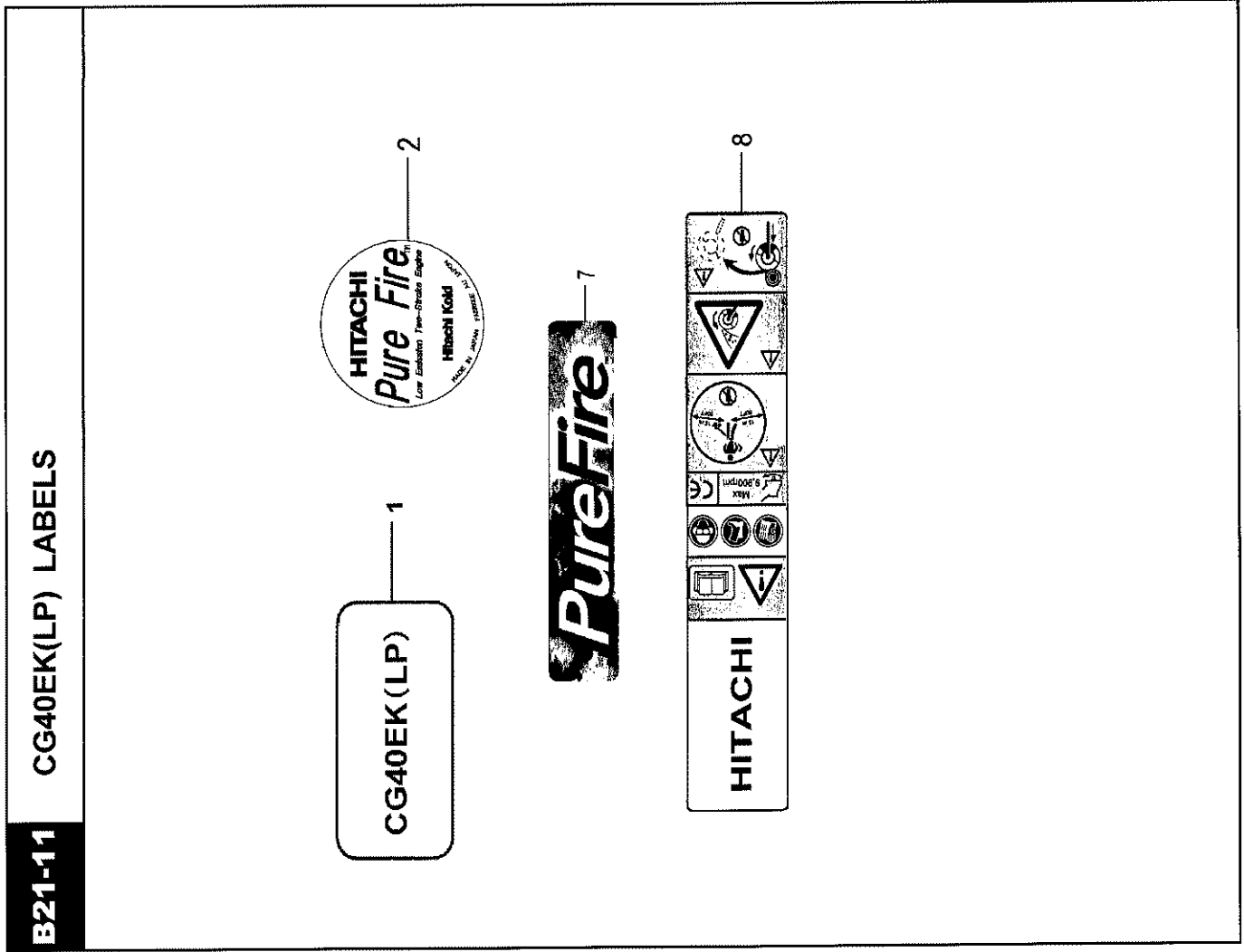
REF. NUMBER	PARTS NUMBER	DESCRIPTION	Q'TY	SERIAL NUMBER
001	668-881	GEAR CASE ASSY, 26 DIA.	1	
002	668-470	HEX.HOLE BOLT M5X25/S	2	
004	668-473	STOP RING C-24, INNER	1	
005	669-528	STOP RING C-9, OUTER	1	
006	668-473	BALL BEARING 609Z ST	1	
007	668-473	BALL BEARING 609	1	
009	668-868	GEAR CASE, SILVER	1	
011	669-504	HEX. HOLE BOLT 5X10	1	
012	669-543	PLUS HEAD BOLT 8X10	1	
013	669-556	BALL BEARING 628 ST	1	
015	668-894	GEAR SHAFT	1	
016	669-555	BALL BEARING 6201D, 32MM/OD	1	
017	669-529	STOP RING C-32, INNER	1	
018	668-903	CUTTER HOLDER, 12X10X1	1	
019	668-905	CUTTER HOLDER CAP, 12X10X1	1	
021	668-899	PROTECTION COVER B	1	
022	668-907	CUTTER FIXING NUT, L/H	1	
023	668-915	GEAR CASE WASHER	1	
025	668-645	SPECIAL WASHER 1.0	1	
026	668-471	HEX.HOLE BUTTON SCREW 6X25S	2	
028	669-029	COVER BRACKET, 26 DIA.	1	
029,1	669-024	SAFETY COVER, 26 DIA.	1	- E979999
029	669-027	BLADE GUARD 26CE	1	EO70001 -
030	668-474	SAFETY COVER HOLDER	1	- E979999
031,1	669-037	COVER GUARD	1	EO70001 -
031	669-037	BLADE GUARD	1	- E979999
032,1	669-338	KNIFE	1	EO70001 -
032	668-475	KNIFE	1	- E979999
034,1	669-533	SCREW 5X12/S	1	EO70001 -
034	668-475	TAPPING SCREW 4X14	1	- E979999
035	668-886	GEAR-PINION SET, SPARE	1	EO70001 -
036	668-496	NUT M5	1	- E979999
038	668-475	TAPPING SCREW 5X20	1	EO70001 -
039	668-475	KNIFE	1	EO70001 -

**B21-10**

**CG40EK(LP) TOOLS**



REF. NUMBER	PARTS NUMBER	DESCRIPTION	Q'TY	SERIAL NUMBER
030	668-4813	HEX. BAR WRENCH 4MM	1	
031	668-4764	BOX WRENCH (HEX. SOCKE	1	
035	668-4768	CUTTER COVER	2	
036	668-4765	SAFETY GLASSES	1	



REF. NUMBER	PARTS NUMBER	DESCRIPTION	QTY	SERIAL NUMBER
001	669-4160	NAME PLATE CG40EK(P)	1	
002	669-4626	SYMBOL MARK HITACHI	1	
007	669-4741	SYMBOL MARK	1	
008	668-4850	CAUTION MARK 9900RPM	1	