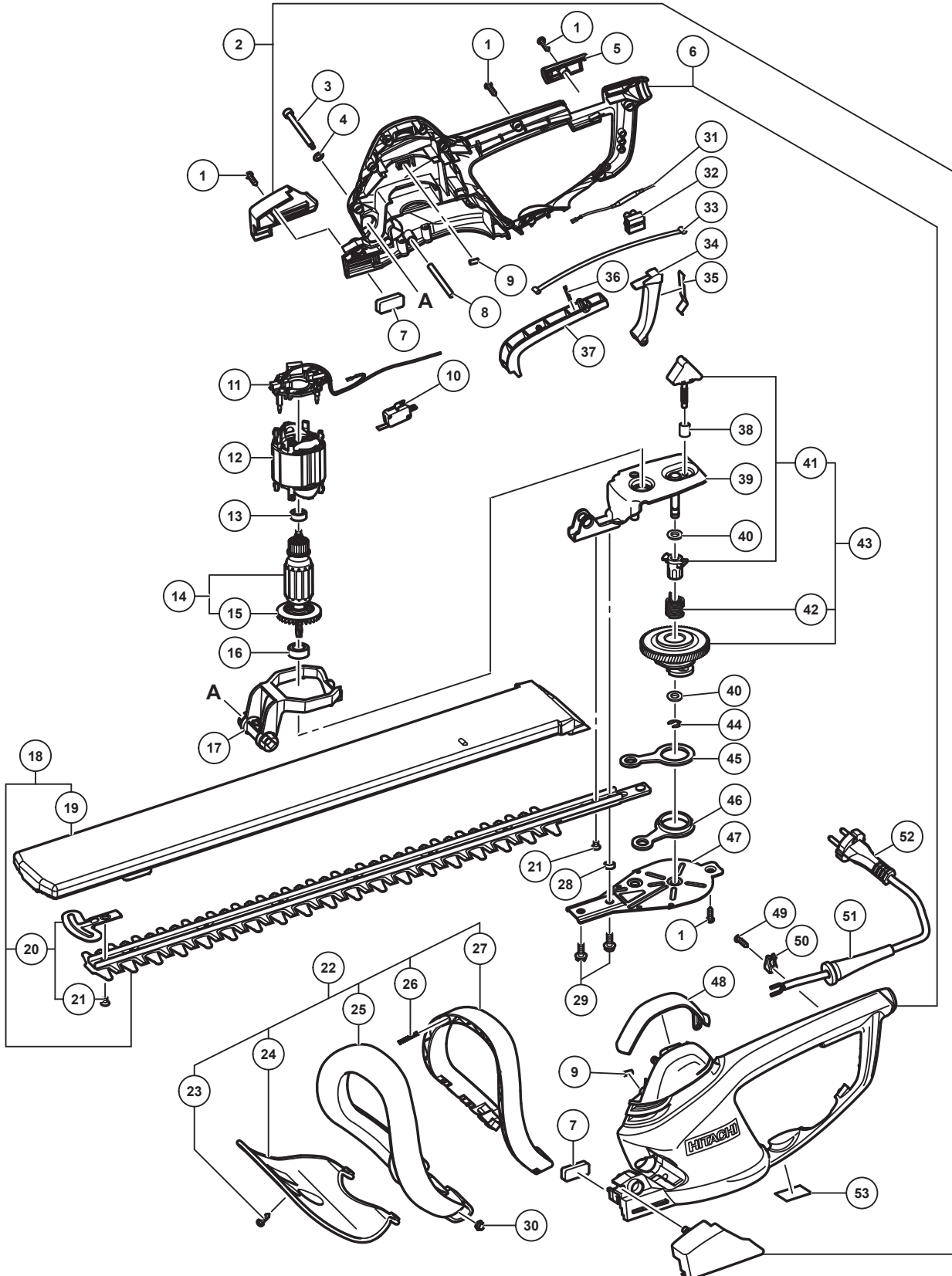


ELECTRIC TOOL PARTS LIST

■ HEDGE TRIMMER
Model CH 65Y

2017·1·5
(E1)



PARTS

CH 65Y

ITEM NO.	CODE NO.	DESCRIPTION	NO. USED	REMARKS
1	371241	TAPPING SCREW ST4.2 X 19	18	
2	371248	FRONT COVER (A).(B) SET	1	
3	371239	TORX SCREW M6	1	
4	371240	WASHER	1	
5	371243	CORD COVER	1	
6	371242	HOUSING (A).(B) SET	1	
7	371249	FELT (2 PCS.)	2	
8	371250	SHAFT	1	
9	371251	RUBBER	2	
10	371268	SWITCH	1	
11	371267	CARBON BRUSH ASS'Y	1	
12	371274	STATOR	1	
13	371275	BALL BEARING 626-2Z	1	
14	371277	ARMATURE ASS'Y	1	INCLUD.15
15	371276	FAN	1	
16	371278	BALL BEARING 608-2Z	1	
17	371279	SHIFT FORK	1	
18	371296	BLADE ASS'Y	1	INCLUD.19,20
19	371282	BLADE CASE	1	
20	371283	HAND PROTECTOR	1	INCLUD.21
21	371263	TORX FLAT SCREW M5 X 8	2	
22	371238	SUB HANDLE ASS'Y	1	INCLUD.23-27
23	371233	TAPPING SCREW ST4.2 X 13	2	
24	371234	PROTECTOR	1	
25	371235	SUB HANDLE (B)	1	
26	371237	SPRING (A)	2	
27	371236	SUB HANDLE (A)	1	
28	371265	SLEEVE	1	
29	371297	BOLT (W/FLANGE) M6 X 18	2	
30	371298	LOCK NUT M6	1	
31	371244	INTERNAL WIRE	1	
32	371245	CONNECTOR	1	
33	371246	NYLON ROPE	1	
34	371256	REAR TRIGGER	1	
35	371255	PLATE SPRING	1	
36	371247	SPRING (B)	1	
37	371257	TRIGGER	1	
38	371252	SLEEVE	1	
39	371253	BEARING SUPPORT	1	
40	371254	WASHER	2	
41	371258	BRAKE PIN SET	1	
42	371259	CLUTCH SPRING	1	
43	371260	GEAR ASS'Y	1	INCLUD.41,42
44	371261	RETAINING RING (E-TYPE)	1	
45	371262	CAM ROD (A)	1	
46	371264	CAM ROD (B)	1	
47	371266	BOTTOM COVER	1	
48	371269	HEAD COVER	1	
49	371270	TAPPING SCREW ST4.2 X 22	1	
50	371271	CORD CLIP	1	

