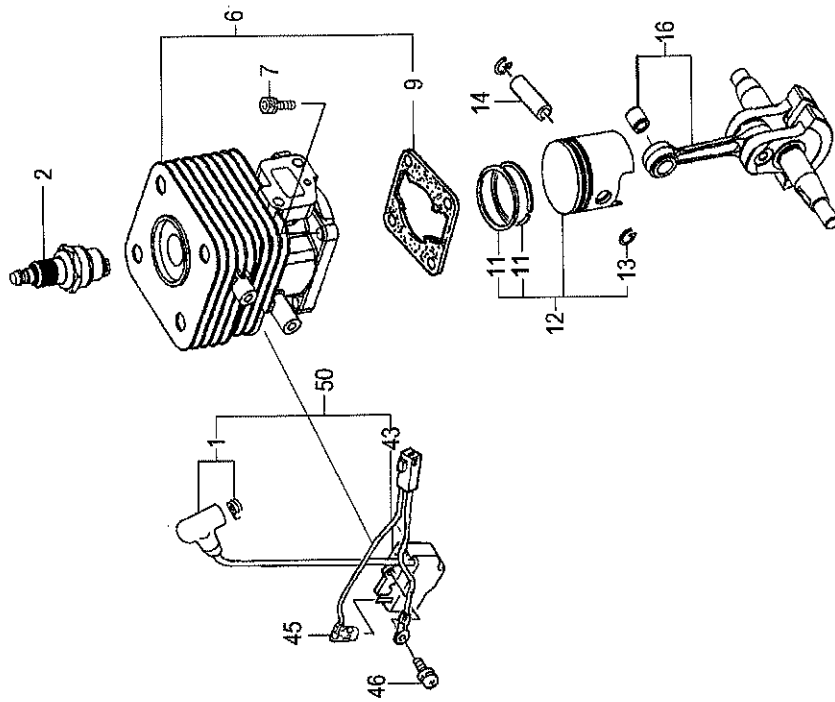


**C32**

**CS25EPB(S)**

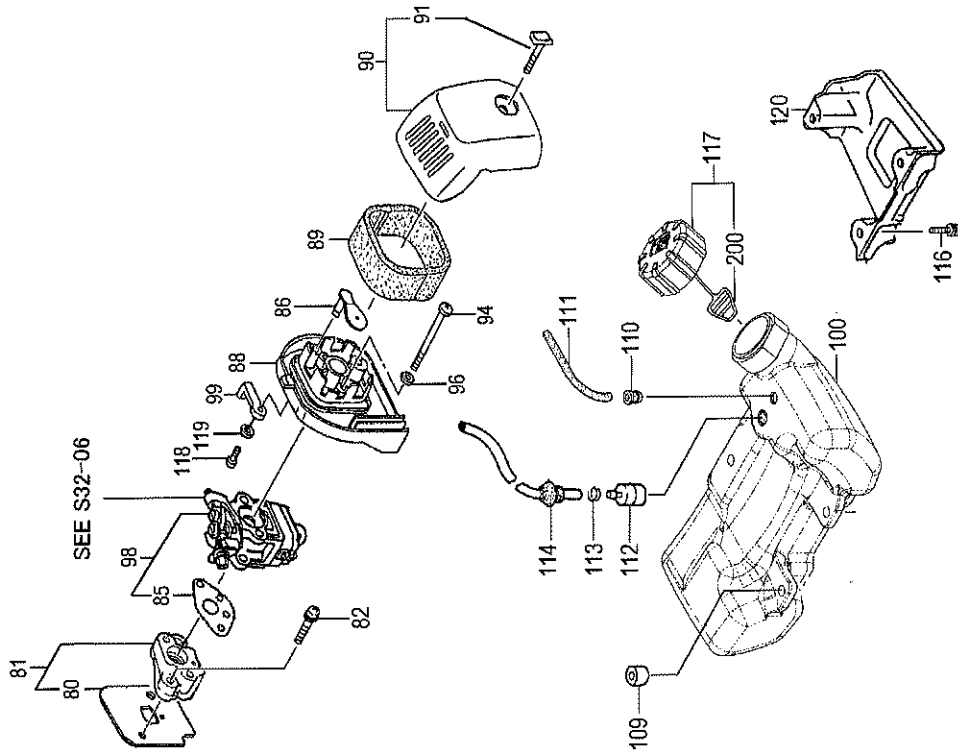
**Serial No.**

**C32-01 CS25EPB(S) CYLINDER/PISTON/CRANK SHAFT**



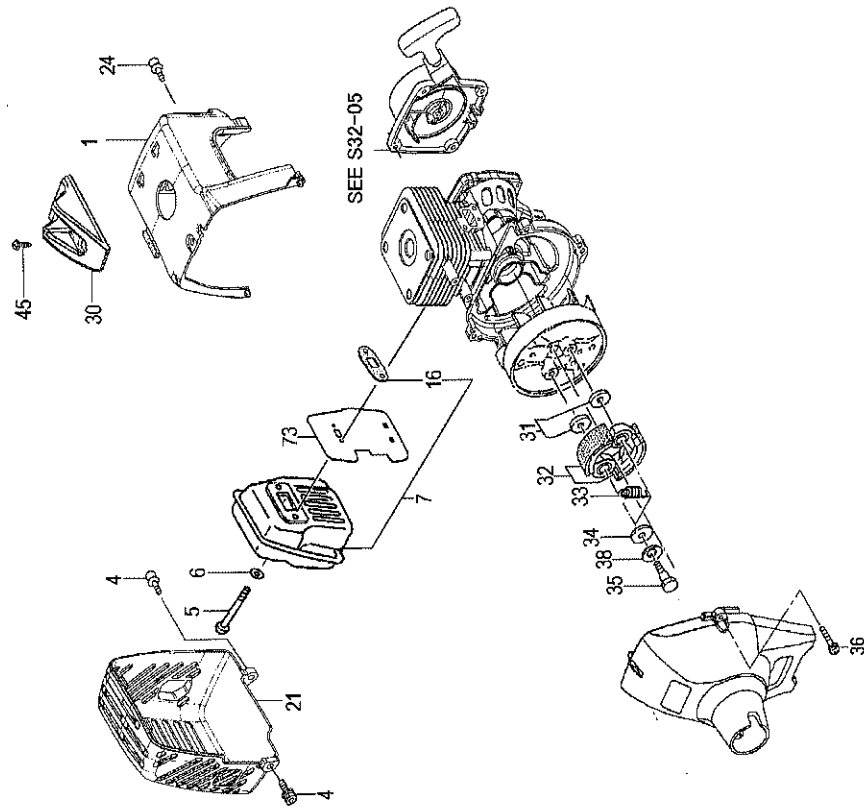
REF. NUMBER	PARTS NUMBER	DESCRIPTION	Q'TY	SERIAL NUMBER
001	668-4894	PLUG CAP ASS'Y	1	
002	668-5768	SPARK PLUG, RCJ8Y	1	
006	668-5493	CYLINDER SET	1	
007	668-4586	HEX.HOLE BOLT M5X18/S	4	
009	668-5750	CYLINDER GASKET T=1.0	1	
011	668-6121	PISTON RING	2	
012	668-5902	PISTON SET	1	
013	668-4590	PISTON PIN CIRCLIP	2	
014	668-4591	PISTON PIN	1	
016	668-6219	CRANK SHAFT COMP.	1	
043	668-7683	IGNITION COIL COMP.	1	
045	668-7965	LEAD WIRE ASS'Y	1	
046	668-4599	HEX.HOLE BOLT M4X18/M/S	2	
050	668-7684	IGNITION COIL ASSY	1	

**C32-03 CS25EPB(S) ENGINE-1**



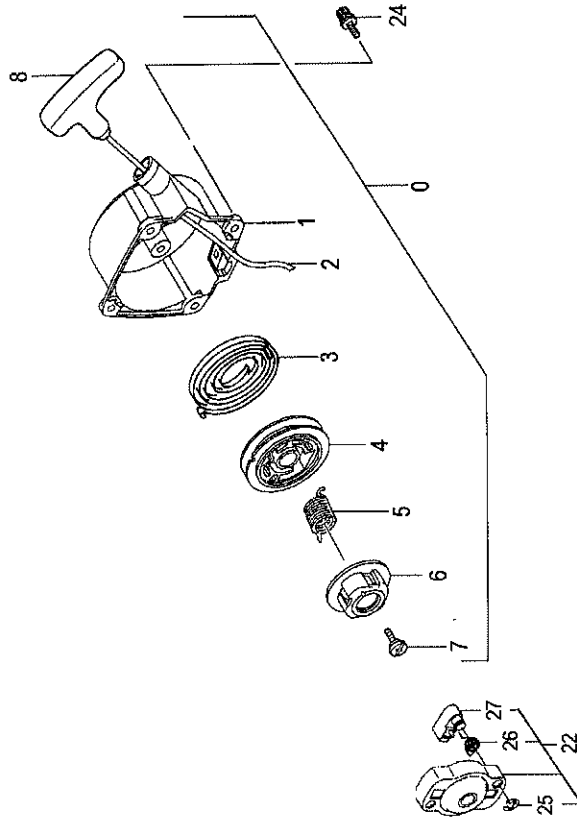
REF. NUMBER	PARTS NUMBER	DESCRIPTION	Q'TY	SERIAL NUMBER
080	668-9895	INLET MANIFOLD GASKET	1	
081	668-9972	INSULATOR SET	1	
082	669-5515	HEX. HOLE BOLT 5X25WS	2	
085	668-4615	CARBURETOR GASKET	1	
086	669-1281	CHOKE LEVER 1.5	1	
088	669-0120	CLEANER BODY COMP.	1	
089	669-0365	CLEANER SPONGE	1	
090	669-0421	CLEANER COVER ASSY	1	
091	669-0384	COVER FIXING BOLT	1	
094	669-5353	SCREW 5X57/S	2	
096	668-4864	SMALL WASHER 5	2	
098	669-0519	CABURETOR SET WYJ-431	1	
099	669-1239	CHOKE CONTROL LEVER	1	
100	669-1604	TANK ORG	1	
109	668-4623	COLLAR C	3	
110	668-4627	RETURN GROMMET	1	
111	668-4626	FUEL PIPE 3X5X65	1	
112	668-4620	PUMP FILTER BODY COMP.	1	
113	668-4619	CLIP, 6.3 DIA.	1	
114	668-4618	FUEL PIPE ASSY	1	
116	668-4634	HEX.HOLE BOLT 5X20/PS	3	
117	668-5049	TANK CAP ASSY	1	
118	669-5280	TAP SCREW 4X14 P	1	
119	668-5070	BOLT WASHER M4	1	
120	669-4787	STAND	1	
200	668-4625	TANK CAP CHAIN	1	

**C32-04 CS25EPB(S) ENGINE-2**



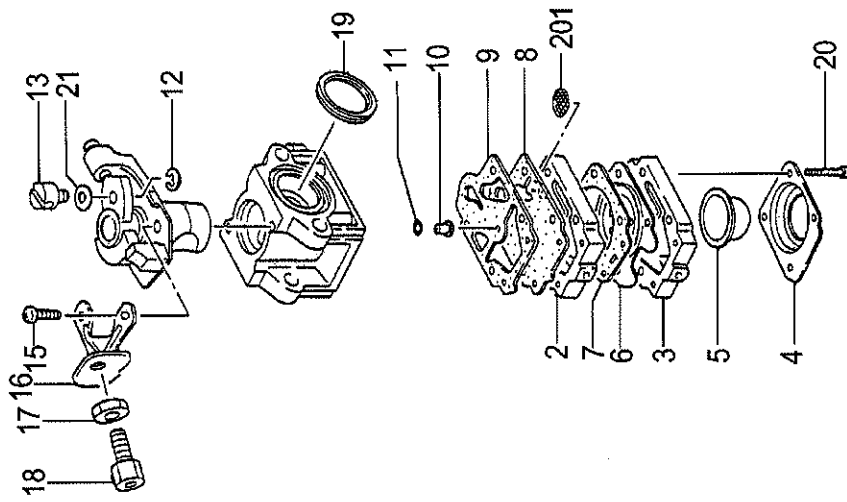
REF. NUMBER	PARTS NUMBER	DESCRIPTION	Q'TY	SERIAL NUMBER
001	668-5690	CYLINDER COVER	1	
004	669-5504	HEX.HOLE BOLT 5X16/PS	2	
005	668-4638	HEX. HOLE BOLT M6X55	2	
006	668-4639	WASHER 6	2	
007	669-2498	MUFFLER SET	1	
016	669-2732	MUFFLER GASKET	1	
021	669-2813	MUFFLER PROTECTOR	1	
024	669-5508	HEX. HOLE BOLT 4X18WS	2	
030	668-8345	PLUG CAP	1	
031	668-4642	CLUTCH WASHER B	2	
032	668-4643	CLUTCH SHOE COMP.	2	
033	668-4644	CLUTCH SPRING	1	
034	668-4645	CLUTCH PLATE A 0.5	2	
035	668-4646	STEP BOLT	2	
036	668-4634	HEX.HOLE BOLT 5X20/PS	3	
038	668-4648	BENT WASHER 8	2	
045	668-4636	TAPPING SCREW D4.5X16	1	
073	668-7264	HEAT SHIELD	1	

# C-32-05 CS25EPB(S) RECOIL STARTER



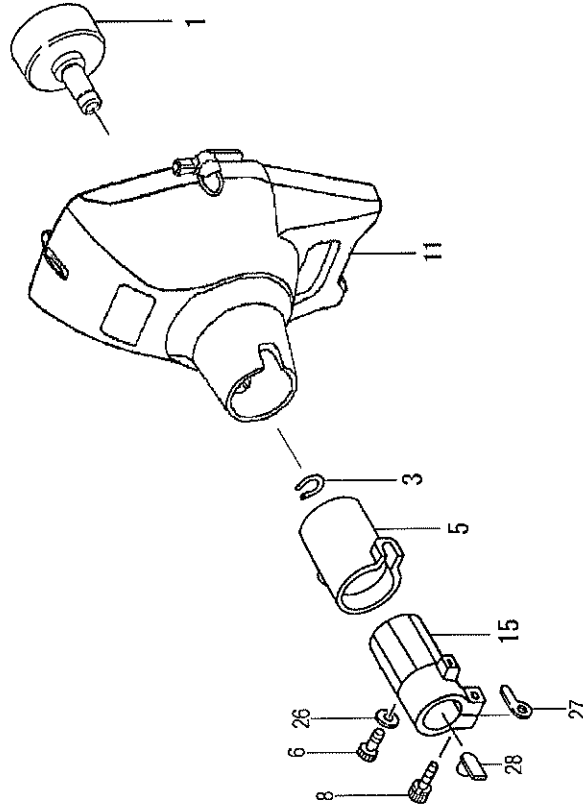
REF. NUMBER	PARTS NUMBER	DESCRIPTION	QTY	SERIAL NUMBER
000	668-4672	RECOIL STARTER BODY ASSY	1	
001	668-4673	RECOIL STARTER BODY COMP.	1	
002	668-4674	STARTER ROPE 3.5X860	1	
003	668-4675	RECOIL SPRING	1	
004	668-4676	STARTER ROPE REEL	1	
005	668-4677	DUMPER SPRING	1	
006	668-4678	CAM PLATE	1	
007	668-4679	SET SCREW	1	
008	668-4680	STARTER HANDLE	1	
022	668-4681	STARTER PULLEY ASSY	1	
024	669-5508	HEX. HOLE BOLT 4X18WS	2	
025	668-4683	STOP RING E-5	2	
026	668-4684	STARTER PAWL SPRING	2	
027	668-4685	STARTER PAWL	2	

**C-32-06 CS25EPB(S) CARBURETOR**



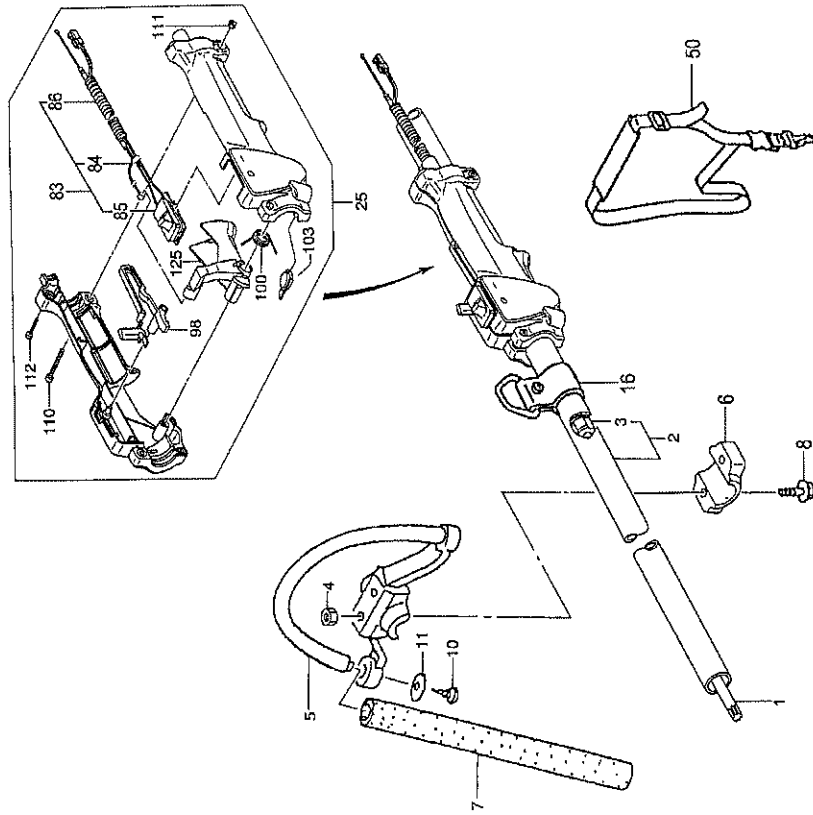
REF. NUMBER	PARTS NUMBER	DESCRIPTION	Q'TY	SERIAL NUMBER
002	668-4879	PUMP BODY COMP.	1	
003	668-4687	PRIMING PUMP COMP.	1	
004	668-4688	DIAPHRAGM COVER	1	
005	668-4689	PRIMING BODY	1	
006	669-0830	METERING DIAPHRAGM CO	1	
007	668-4691	DIAPHRAGM GASKET	1	
008	668-4693	PUMP DIAPHRAGM	1	
009	668-4692	PUMP GASKET	1	
010	669-1847	MAIN JET #42	1	
011	668-4695	O-RING	1	
012	668-4696	STOP RING	1	
013	668-4697	SWIVEL	1	
015	668-4870	THROTTLE SET SCREW	2	
016	668-4873	CABLE ADJUSTER STAY	1	
017	669-2005	CABLE ADJUST NUT	1	
018	668-4871	CABLE ADJUSTER	1	
019	668-4875	CLEANER PACKING	1	
020	668-4699	SET SCREW	4	
021	668-4874	THRUST WASHER	1	
201	668-4700	INLET SCREEN	1	

# C32-07 CS25EPB(S) FAN CASE



REF. NUMBER	PARTS NUMBER	DESCRIPTION	Q'TY	SERIAL NUMBER
001	668-8580	CLUTCH DRUM COMP.	1	
003	668-4664	STOP RING C-12 OUTER	1	
005	669-1823	CUSHION RUBBER	1	
006	669-5046	HEX. HOLE BOLT 5X16	1	
008	668-4709	HEX.HOLE BOLT M5X25/S	1	
011	668-6959	FAN CASE COMP.	1	
015	668-9651	PIPE HOLDER, TPE	1	
026	668-4918	WASHER M5	1	
027	668-9159	GEAR CASE WASHER	1	
028	668-9664	METAL FITTING	1	

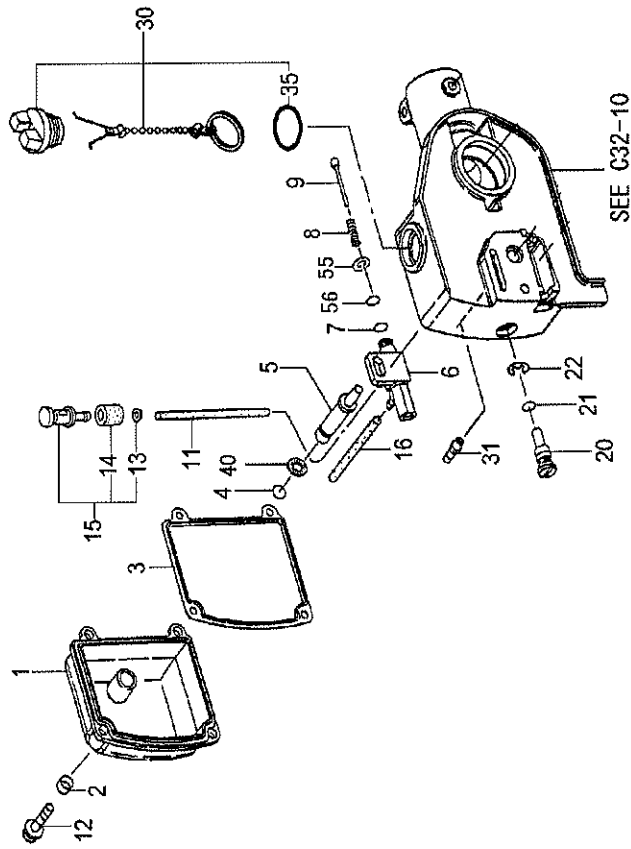
# C32-08 CS25EPB(S) HANDLE



REF. NUMBER	PARTS NUMBER	DESCRIPTION	QTY	SERIAL NUMBER
001	668-9443	DRIVE SHAFT 1829L	1	
002	668-9308	DRIVE SHAFT PIPE COMP.	1	
003	668-4831	BUSH ASS'Y	6	
004	668-4835	HEX.NUT 6	2	
005	669-1046	LOOP HANDLE, 24 DIA., BLA	1	
006	669-1134	HANDLE BRACKET A	1	
007	669-1098	HANDLE GRIP	1	
008	668-4838	BOLT 6X43/P (BLACK)	2	
010	669-5255	TAPPING SCREW 5X20	1	
011	668-9681	BRAKE SHAFT WASHER	1	
016	668-9277	LIFTING METAL ASS'Y	1	
025	669-3767	THROTTLE LEVER ASSY 24	1	
050	669-2867	SHOULDER BELT ASS'Y	1	
083	669-3978	THROTTLE WIRE COMP.	1	
084	669-4022	THROTTLE WIRE	1	
085	668-7459	STOP SWITCH COMP.	1	
086	668-7526	PROTECTION TUBE 7X175	1	
098	668-4721	SAFETY LEVER	1	
100	668-4722	RETURN SPRING	1	
103	668-4724	BLIND PLUG	1	
110	668-4803	SCREW M5X20	2	
111	668-4727	CONTAL NUT 5	2	
112	668-4725	SCREW M4X20 (BLACK)	4	
125	668-4804	THROTTLE LEVER	1	

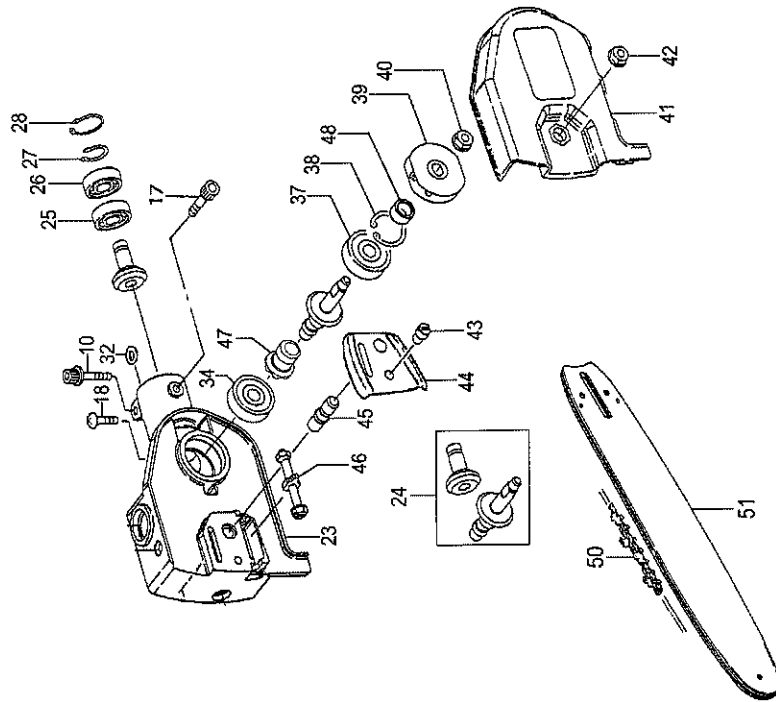


# C32-09 CS25EPB(S) GEAR CASE



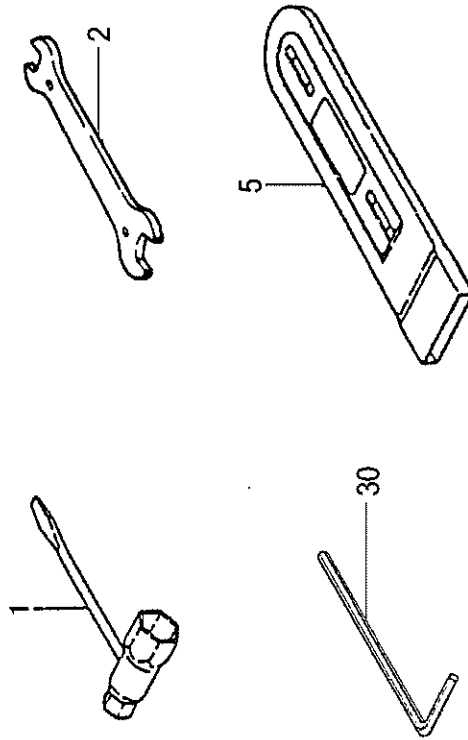
REF. NUMBER	PARTS NUMBER	DESCRIPTION	QTY	SERIAL NUMBER
001	668-6138	OIL TANK COVER	1	
002	668-5961	COLLAR 3	4	
003	669-0084	OIL TANK GASKET	1	
004	669-5661	O-RING P-5	1	
005	668-9757	STEP BOLT A	1	
006	668-6487	OIL PUMP COMP.	1	
007	669-5661	O-RING P-5	1	
008	669-0381	OIL PUMP SPRING	1	
009	668-6608	OIL PUMP PISTON COMP.	1	
011	669-2414	FUEL PIPE 3X5X60	1	
012	669-5403	SMALL SCREW 4X12WS	4	
013	668-4661	WASHER 5	1	
014	669-0917	OIL FILTER	1	
015	669-0913	FILTER ASS'Y	1	
016	669-2415	FUEL PIPE 3X5X75	1	
020	669-1066	OIL PUMP ADJUSTER	1	
021	669-5661	O-RING P-5	1	
022	669-5311	STOP RING E-6	1	
030	669-2050	OIL TANK CAP ASS'Y	1	
031	668-6637	BANJO, OIL PUMP	1	
035	669-5670	O-RING P-15	1	
040	669-5239	8 PUSH NUT	1	
055	669-5187	WASHER 2	1	
056	669-5656	O-RING 1.4	1	

# C32-10 CS25EPB(S) GEAR CASE-2



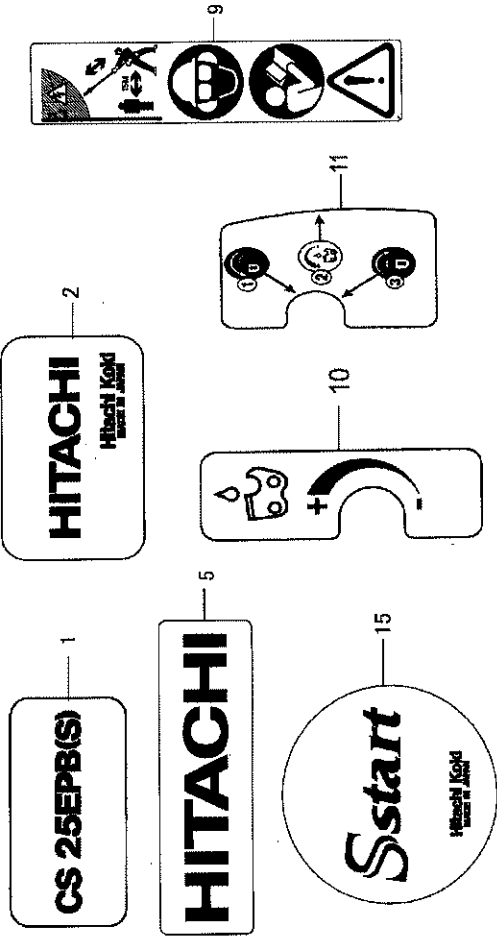
REF. NUMBER	PARTS NUMBER	DESCRIPTION	QTY	SERIAL NUMBER
010	669-5492	HEX. HOLE BOLT 5X22/S	1	
017	669-5042	HEX. HOLE BOLT 5X10	1	
018	669-5458	SCREW 6X8	1	
023	668-5793	CASE	1	
024	668-8836	GEAR PINION SET SPARE	1	
025	668-4734	BALL BEARING 609	1	
026	668-4735	BALL BEARING 609Z ST	1	
027	669-5281	STOP RING C-9, OUTER	1	
028	668-4732	STOP RING C-24,INNER	1	
032	669-3248	STARTER PAWL WASHER	1	
034	669-5568	BALL BEARING 627 C3	1	
037	669-5575	BALL BEARING 638ZZ	1	
038	668-4741	STOP RING C-28,INNER	1	
039	668-9117	SPROCKET COMP.,3/8	1	
040	669-5170	FLANGE NUT 6	1	
041	668-6038	SIDE COVER COMP.	1	
042	668-7105	CHAIN BAR CLAMP NUT	1	
043	668-7130	CHAIN BAR KNOCK PIN	1	
044	669-0726	GUIDE PLATE	1	
045	668-6803	CHAIN BAR TIGHTENING BOLT	1	
046	668-7063	CHAIN TENSIONER ASSY	1	
047	669-0428	CAM	1	
048	668-5962	COLLAR	1	
050	668-7176	SAW CHAIN, 10 INCH, 3/8	1	
051	668-6882	CHAIN BAR 10	1	

**C32-11 CS25EPB(S) TOOLS**



REF. NUMBER	PARTS NUMBER	DESCRIPTION	QTY	SERIAL NUMBER
001	669-3809	COMBI. BOX SPANNER 13X19 MINUS	1	
002	668-4766	WRENCH 8X10	1	
005	669-4796	GUIDE BAR COVER, 10	1	
030	668-4813	HEX. BAR WRENCH 4MM	1	

**C32-12 CS25EPB(S) LABELS**



REF. NUMBER	PARTS NUMBER	DESCRIPTION	Q'TY	SERIAL NUMBER
001	669-4667	SYMBOL MARK CS25EPB(S)	1	
002	669-4763	SYMBOL MARK HITACHI	1	
005	669-4513	DECLA HITACHI	1	
009	669-4416	CUATION MARK	1	
010	669-4576	OIL MARK	1	
011	669-4578	OIL ADJUSTMENT MARK	1	
015	669-4474	STARTER MARK S.START	1	