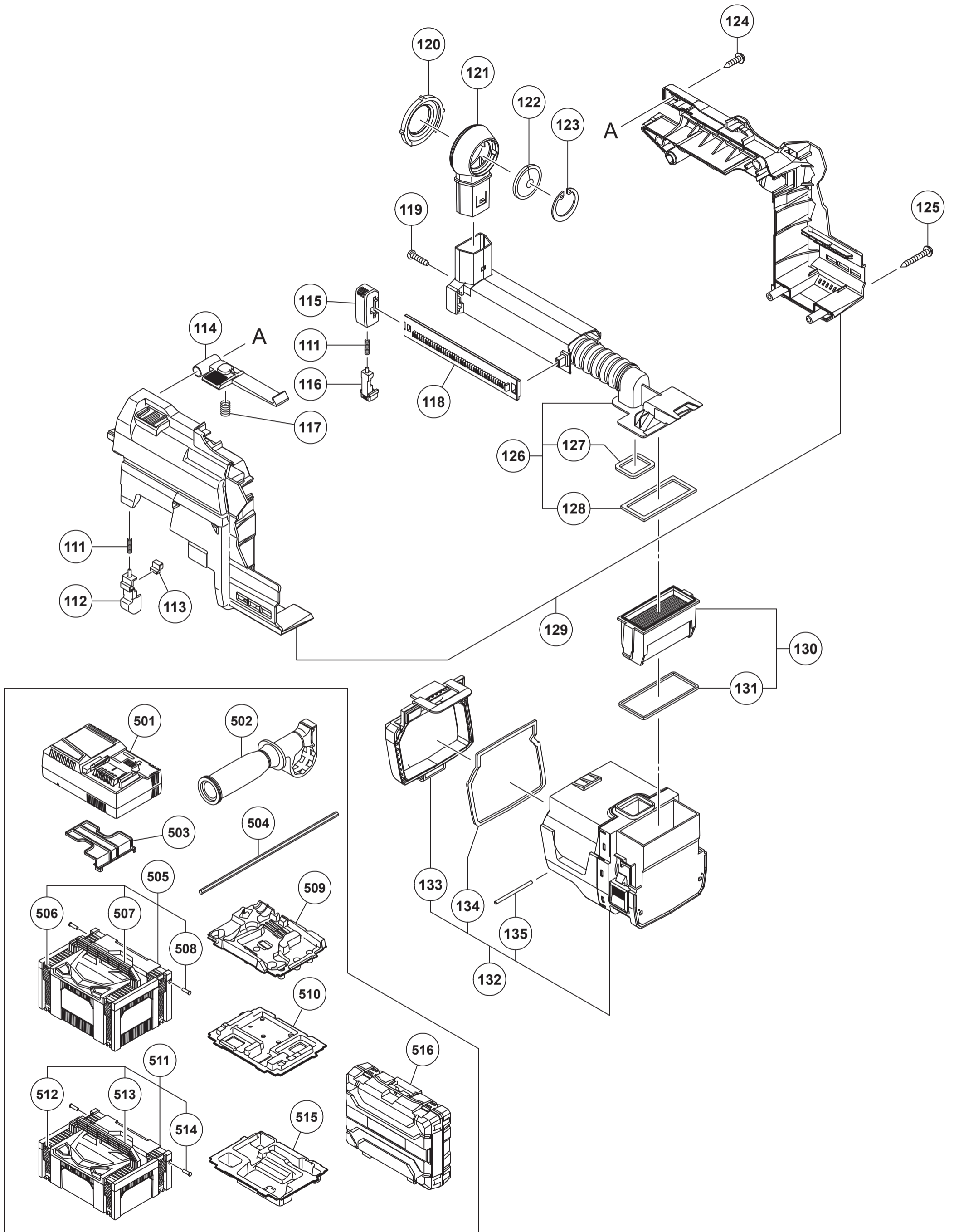


| | | |
|----|---|-------|
| 41 | ~ | 43 |
| 59 | ~ | 62 73 |



HIKOKI

CORDLESS ROTARY HAMMER DH3628DA

| Item No. | Code No. | Description | No. Used | Remarks |
|----------|----------|--------------------------------------|----------|---------------|
| 1 | 375363 | GRIP SET | 1 | INCLUD.2-7,20 |
| 2 | 306345 | FRONT CAP | 1 | |
| 3 | 306340 | STOPPER RING | 1 | |
| 4 | 374436 | GRIP | 1 | |
| 5 | 374437 | BALL HOLDER | 1 | |
| 6 | 374435 | HOLDER PLATE | 1 | |
| 7 | 322812 | HOLDER SPRING | 1 | |
| 8 | 379084 | TAPPING SCREW (W/FLANGE) D5 (BLACK) | 4 | |
| 9 | | NAME PLATE | 1 | |
| 10 | 335259 | OIL SEAL | 1 | |
| 11 | 6805BB | BALL BEARING 6805 | 1 | |
| 12 | 322789 | PUSHING BUTTON | 1 | |
| 13 | 317223 | PUSHING SPRING | 1 | |
| 14 | 334011 | CHANGE LEVER | 1 | |
| 15 | 878885 | O-RING (S-18) | 1 | |
| 16 | 379954 | GEAR COVER ASS'Y | 1 | INCLUD.18 |
| 17 | 335800 | SPRING (E) | 1 | |
| 18 | 608VVM | BALL BEARING 608VVC2PS2L | 1 | |
| 19 | 374422 | SHAFT HOLDER (B) | 1 | |
| 20 | 335300 | STEEL BALL D7.0 (10 PCS.) | 1 | |
| 21 | 374426 | CYLINDER | 1 | |
| 22 | 335265 | SECOND GEAR | 1 | |
| 23 | 374430 | SPRING (B) | 1 | |
| 24 | 301679 | WASHER (A) | 2 | |
| 25 | 948310 | RETAINING RING FOR D30 SHAFT | 1 | |
| 26 | 335262 | OIL SEAL (A) | 1 | |
| 27 | 375014 | HAMMER HOLDER (D) | 1 | |
| 28 | 374432 | SECOND HAMMER | 1 | |
| 29 | 374429 | HAMMER HOLDER (A) | 1 | |
| 30 | 322805 | DAMPER (A) | 1 | |
| 31 | 322808 | O-RING (C) | 1 | |
| 32 | 324524 | DAMPER HOLDER | 1 | |
| 33 | 322807 | STOPPER RING | 1 | |
| 34 | 374443 | STRIKER | 1 | |
| 35 | 372816 | O-RING | 1 | |
| 36 | 372817 | PISTON | 1 | |
| 37 | 335794 | PISTON WASHER | 2 | |
| 38 | 990079 | SEAL LOCK HEX. SOCKET HD. BOLT M5X16 | 4 | |
| 39 | 379079 | INNER COVER (B) | 1 | |
| 40 | 370310 | O-RING | 1 | |
| 41 | 379947 | SUPPORT (B) | 2 | |
| 42 | 379077 | INNER COVER (A) | 1 | |
| 43 | 877839 | SEAL LOCK HEX. SOCKET HD. BOLT M5X10 | 2 | |
| 44 | 374627 | WEIGHT (A) | 1 | |
| 45 | 335282 | LEAF SPRING | 1 | |
| 46 | 374628 | WEIGHT (B) | 1 | |
| 47 | 325241 | SEAL LOCK HEX. SOCKET HD. BOLT M3X8 | 2 | |
| 48 | 334008 | AIR CAP | 1 | |
| 49 | 324543 | FELT PACKING (A) | 1 | |
| 50 | 335793 | PISTON PIN | 1 | |
| 51 | 335249 | RECIPROCATING BEARING | 1 | |
| 52 | 379930 | BEARING WASHER | 1 | |
| 53 | 370312 | BEARING HOLDER (B) | 1 | |

* ALTERNATIVE PARTS

HIKOKI**CORDLESS ROTARY HAMMER DH3628DA**

| Item No. | Code No. | Description | No. Used | Remarks |
|----------|----------|--|----------|-----------------------|
| 54 | 608VVM | BALL BEARING 608VVC2PS2L | 1 | |
| 55 | 379082 | BEARING COVER (A) | 1 | |
| 56 | 379083 | BEVEL GEAR | 1 | |
| 57 | 379068 | SHUTTER | 1 | |
| 58 | 379069 | SHUTTER SPRING | 2 | |
| 59 | 379946 | DUST WASHER | 1 | |
| 60 | 370315 | FELT PACKING | 1 | |
| 61 | 379078 | PACKING WASHER | 1 | |
| 62 | 872470 | O-RING (S-26) | 1 | |
| 63 | 374626 | SPRING HOLDER | 1 | |
| 64 | 983162 | SEAL LOCK HEX. SOCKET HD. BOLT M4X12 | 2 | |
| 65 | 374434 | LOCK PLATE | 1 | |
| 66 | 374440 | SECOND PINION | 1 | |
| 67 | 323182 | CLUTCH SPRING | 1 | |
| 68 | 375022 | CLUTCH | 1 | |
| 69 | 331315 | WASHER | 1 | |
| 70 | 374439 | CHANGE PLATE (C) | 1 | |
| 71 | 379080 | SECOND SHAFT | 1 | |
| *72 | 379070 | HOUSING (A).(B) SET | 1 | INCLUD.41 |
| *72 | 379070M | HOUSING (A).(B) SET | 1 | INCLUD.41 FOR USA,CAN |
| 73 | 361188 | ROTOR (A) | 1 | |
| 74 | 341156 | WIRING ASS'Y (A) | 1 | INCLUD.75,76 |
| 75 | 379957 | SUPPORT (B) | 2 | |
| 76 | 379067 | SPEED CONTROL SWITCH | 1 | |
| 77 | 324225 | PUSHING BUTTON (B) | 1 | |
| 78 | 306664 | TAPPING SCREW (W/FLANGE) D4X40 (BLACK) | 3 | |
| 79 | 379138 | HOUSING PLATE | 1 | |
| 80 | 379074 | HANDLE SPRING | 1 | |
| 81 | 379137 | HANDLE PLATE | 1 | |
| 82 | 301653 | TAPPING SCREW (W/FLANGE) D4X20 (BLACK) | 12 | |
| 83 | 379350 | MV LABEL (B) (2) | 1 | |
| 84 | 379349 | MV LABEL (A) (2) | 1 | |
| 85 | 379071 | HANDLE (A).(B) ASS'Y | 1 | INCLUD.86 |
| 86 | 379072 | HANDLE GUIDE | 2 | |
| 87 | 379076 | HANDLE WASHER | 2 | |
| 88 | 379075 | HANDLE COLLAR | 2 | |
| 89 | 379073 | HANDLE DAMPER | 2 | |
| 90 | 373521 | BATTERY RUBBER (B) | 1 | |
| *91 | 371750 | BATTERY BSL 36A18 (EUROPE,AUS,NZL) | 2 | INCLUD.503 |
| *91 | 376072 | BATTERY BSL 36A18 (TPE) | 2 | INCLUD.503 |
| *91 | 372120 | BATTERY BSL 36B18 (EUROPE,AUS,NZL) | 2 | INCLUD.503 |
| *91 | 372121M | BATTERY BSL 36B18 (USA,CAN) | 1 | INCLUD.503 |
| 92 | 379945 | INNER COVER ASS'Y (A) | 1 | INCLUD.41-43,59-62,73 |
| 111 | 370502 | SPRING (A) | 2 | |
| 112 | 370509 | BUTTON (B) | 1 | |
| 113 | 370510 | STOPPER | 1 | |
| 114 | 379710 | LATCH (HG) | 1 | |
| 115 | 370501 | ADJUSTER | 1 | |
| 116 | 370838 | BUTTON (A) SET | 1 | |
| 117 | 379711 | LATCH SPRING | 1 | |
| 118 | 379712 | ADJUSTMENT RAIL | 1 | |
| 119 | 370500 | TAPPING SCREW D2.6 | 4 | |
| 120 | 377175 | NOZZLE SEAL | 1 | |

* ALTERNATIVE PARTS

HIKOKI

CORDLESS ROTARY HAMMER DH3628DA

| Item No. | Code No. | Description | No. Used | Remarks |
|----------|----------|--|----------|--|
| 121 | 370495 | NOZZLE | 1 | |
| 122 | 370496 | BRUSH CAP | 1 | |
| 123 | 370497 | RETAINING RING D35 | 1 | |
| 124 | 307811 | TAPPING SCREW (W/FLANGE) D4X16 (BLACK) | 3 | |
| 125 | 306664 | TAPPING SCREW (W/FLANGE) D4X40 (BLACK) | 2 | |
| 126 | 379718 | SLIDE PIPE ASS'Y | 1 | INCLUD.127,128 |
| 127 | 379719 | PACKING (A) | 1 | |
| 128 | 379720 | PACKING (B) | 1 | |
| 129 | 379709 | DUST HOUSING (A).(B) SET | 1 | |
| 130 | 379717 | FILTER ASS'Y | 1 | INCLUD.131 |
| 131 | 379716 | FILTER PACKING | 1 | |
| 132 | 379714 | DUST BOX ASS'Y | 1 | INCLUD.133-135 |
| 133 | 379713 | CYCLONE BOX COVER | 1 | |
| 134 | 379715 | CYCLONE PACKING | 1 | |
| 135 | 376774 | PIN D3X50 | 1 | |
| | | STANDARD ACCESSORIES | | |
| 501 | | CHARGER (MODEL UC 18YSL3) | 1 | |
| 502 | 374447 | SIDE HANDLE | 1 | |
| 503 | 329897 | BATTERY COVER | 2 | |
| 504 | 303709 | DEPTH GAUGE | 1 | |
| *505 | 337108 | CASE ASS'Y (STACKABLE 3) | 1 | INCLUD.506-508 FOR W/BATTERY AND CHARGER |
| 506 | 336472 | LATCH | 4 | |
| 507 | 336473 | HANDLE | 1 | |
| 508 | 336474 | HINGE | 2 | |
| *509 | 379786 | INNER TRAY | 1 | FOR MAIN UNIT |
| *510 | 379787 | INNER TRAY | 1 | FOR BATTERY AND CHARGER |
| *511 | 402539 | SYSTEM CASE 2 | 1 | INCLUD.512-514 FOR MAIN UNIT ONLY |
| *511 | 402539 | SYSTEM CASE 2 | 1 | INCLUD.512-514 FOR DUST EXTRACTION UNIT |
| 512 | 336472 | LATCH | 4 | |
| 513 | 336473 | HANDLE | 1 | |
| 514 | 336474 | HINGE | 2 | |
| *515 | 379788 | INNER TRAY | 1 | FOR DUST EXTRACTION UNIT |
| *516 | 379791 | CASE | 1 | FOR USA,CAN |
| | | OPTIONAL ACCESSORIES | | |
| *601 | 379135 | DUST EXTRACTION UNIT (IN CARTON BOX) | 1 | |
| *601 | 379135M | DUST EXTRACTION UNIT (IN CARTON BOX) | 1 | FOR USA,CAN |
| *602 | 379136 | DUST EXTRACTION UNIT (IN STACKABLE CASE) | 1 | EXCEPT FOR USA,CAN |
| 603 | 303332 | HAMMER DRILL CHUCK SET 13MM | 1 | INCLUD.604,605 |
| 604 | 303334 | CHUCK HANDLE | 1 | |
| 605 | 303335 | RUBBER CAP | 1 | |
| 606 | 321825 | DRILL CHUCK AND ADAPTER SET | 1 | INCLUD.607,608 |
| 607 | 303623 | CHUCK ADAPTER (G) (SDS PLUS) | 1 | |
| 608 | 321814 | DRILL CHUCK 13VLRB-D | 1 | INCLUD.609,610 |
| 609 | 331966 | FLAT HD. SCREW (LEFT HAND) M6X20 | 1 | |
| 610 | 303334 | CHUCK HANDLE | 1 | |
| 611 | 321813 | DRILL CHUCK 13VLD-D | 1 | INCLUD.604 |
| 612 | 971787 | DUST CUP | 1 | |
| 613 | 931844 | STOPPER | 1 | |
| 614 | 971511Z | + DRIVER BIT (A) NO.2 25L | 1 | |
| 615 | 971512Z | + DRIVER BIT (A) NO.3 25L | 1 | |
| 616 | 306885 | DUST COLLECTOR (B) ASS'Y | 1 | INCLUD.617 |
| 617 | 306910 | SOCKET ADAPTER (B) | 1 | |
| *618 | 378023 | DUST COLLECTION ADAPTER SET (A) | 1 | |

* ALTERNATIVE PARTS

