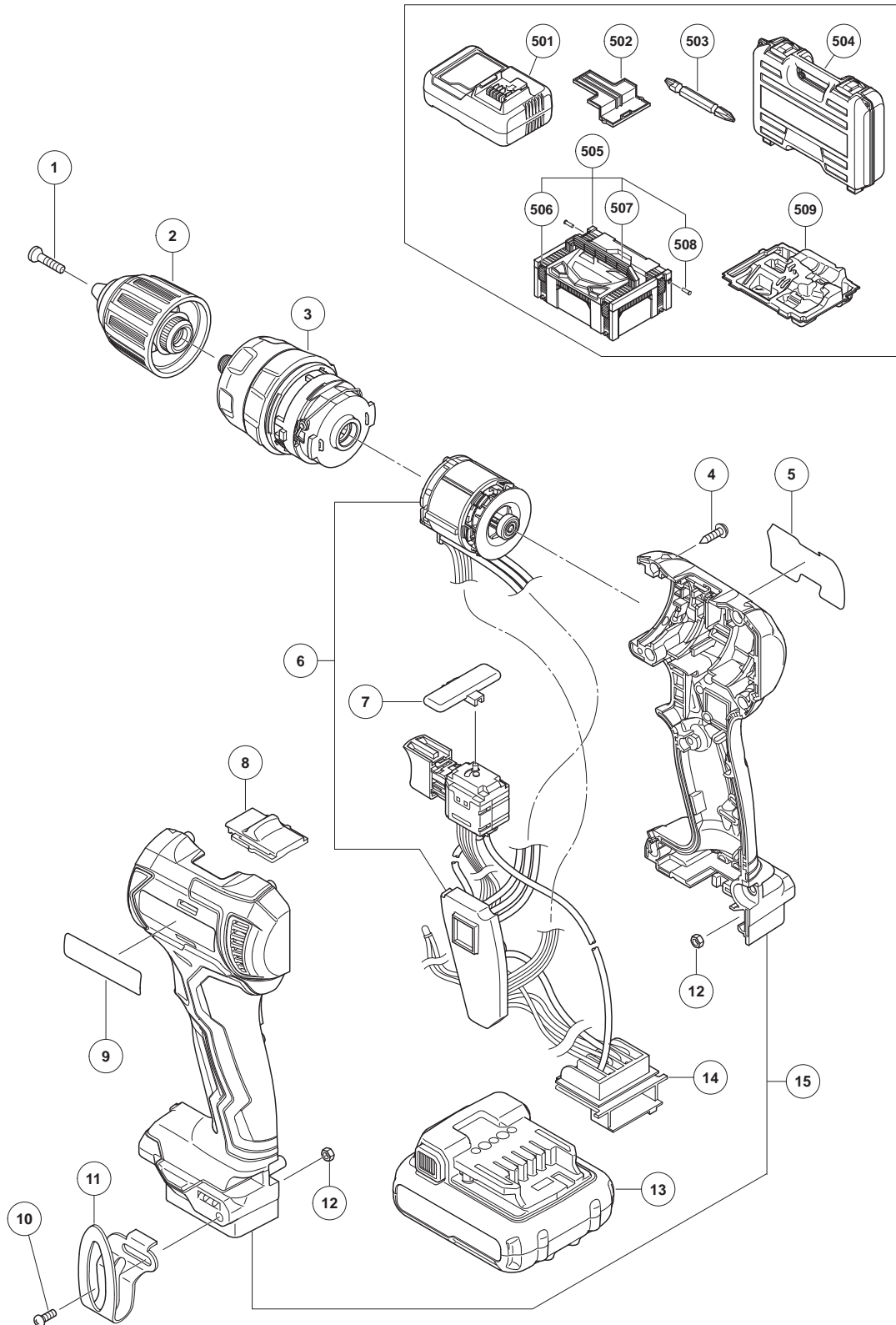


ELECTRIC TOOL PARTS LIST

■ CORDLESS IMPACT DRIVER DRILL 2019- 1 ·10 Model DV 12DD (E1)



PARTS

DV 12DD

ITEM NO.	CODE NO.	DESCRIPTION	NO. USED	REMARKS
1	337426	LEFT-HAND HEXALOBULAR M5	1	
2	337390	DRILL CHUCK 10TLRM-N (W/O CHUCK WRENCH)	1	
3	374385	GEAR BOX (C)	1	
4	313687	TAPPING SCREW (W/FLANGE) D3 X 16 (BLACK)	8	
5		NAME PLATE	1	
6	374381	MOTOR SET	1	
7	374399	PUSHING BUTTON	1	
8	374382	SHIFT KNOB	1	
9		BRAND LABEL	1	
10	337357	TRUSS HD. SCREW M4 (BLACK)	1	
11	372229	HOOK	1	
12	327002	LOCK NUT M4 (BLACK)	2	
13	374404	BATTERY BSL 1240M (EUROPE)	2	INCLUD.502
14	374387	BATTERY TERMINAL	1	
15	374379	HOUSING (A).(B) SET	1	

STANDARD ACCESSORIES

ITEM NO.	CODE NO.	DESCRIPTION	NO. USED	REMARKS
501		CHARGER (MODEL UC 12SL)	1	
502	374778	BATTERY COVER	1	
503	983006	+ DRIVER BIT NO.2 65L	1	
* 504	336642	CASE	1	
* 505	336471	CASE ASS'Y (STACKABLE 2)	1	INCLUD.506-508
* 506	336472	LATCH	4	
* 507	336473	HANDLE	1	
* 508	336474	HINGE	2	
* 509	374779	INNER TRAY	1	