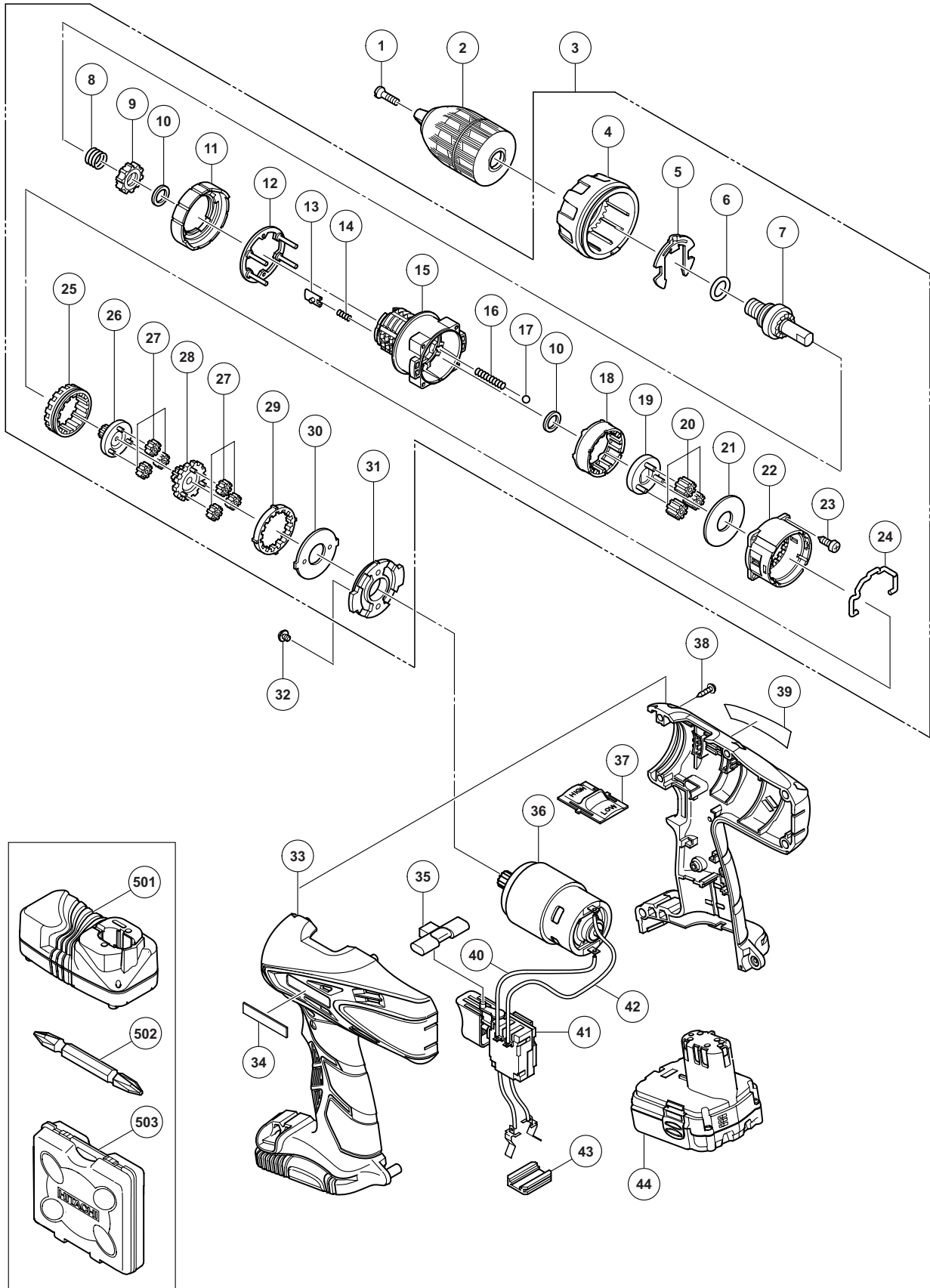


ELECTRIC TOOL PARTS LIST

CORDLESS IMPACT DRIVER DRILL
Model DV 14DCL2

2010·6·9
(E1)



PARTS

DV 14DCL2

ITEM NO.	CODE NO.	DESCRIPTION	NO. USED	REMARKS
1	995-344	FLAT HD. SCREW (A) (LEFT HAND) M6 X 25	1	
2	332-049	DRILL CHUCK 13VLR-S-N	1	
3	332-008	GEAR BOX ASS'Y	1	INCLUD. 4-31
4	332-015	CLUTCH DIAL	1	
5	327-146	CLICK SPRING	1	
6	327-142	O-RING	1	
7	332-010	SPINDLE	1	
8	327-136	SPRING (C)	1	
9	327-134	RATCHET (B)	1	
10	327-147	WASHER (A)	2	
11	327-145	NUT	1	
12	332-016	WASHER	1	
13	327-135	SLIP BLOCK	2	
14	327-133	STOPPER SPRING	2	
15	332-009	FRONT CASE	1	
16	332-018	SPRING (A)	4	
17	306-936	STEEL BALL D5	4	
18	328-055	RING GEAR	1	
19	332-011	CARRIER	1	
20	312-705	PLANET GEAR (C) SET (3 PCS.)	3	
21	312-704	WASHER (A)	1	
22	327-140	REAR CASE	1	
23	324-357	SCREW SET D3 X 12 (4 PCS.)	4	
24	332-017	SHIFT ARM	1	
25	332-013	SLIDE RING GEAR	1	
26	332-012	PINION (C)	1	
27	332-019	PLANET GEAR (A) SET (6 PCS.)	6	
28	332-014	PINION (B)	1	
29	332-023	FIRST RING GEAR	1	
30	312-716	WASHER (B)	1	
31	312-698	MOTOR SPACER	1	
32	317-333	MACHINE SCREW (W/SP. WASHER) M4 X 6	2	
33	332-042	HOUSING (A). (B) SET (GREEN)	1	
34	330-719	HITACHI LABEL	1	
35	332-836	PUSHING BUTTON	1	
36	332-021	MOTOR DC 14.4V	1	
37	332-036	SHIFT KNOB	1	
38	313-687	TAPPING SCREW (W/FLANGE) D3 X 16 (BLACK)	9	
39		NAME PLATE	1	
40	332-843	INTERNAL WIRE (BLACK) 130L	1	
41	332-842	SWITCH TERMINAL SET	1	
42	324-499	INTERNAL WIRE (RED) 140L	1	
43	315-141	TERMINAL SUPPORT (A)	1	
44	327-729	BATTERY BCL 1415 (EUROPE, AUS, NZL)	2	

