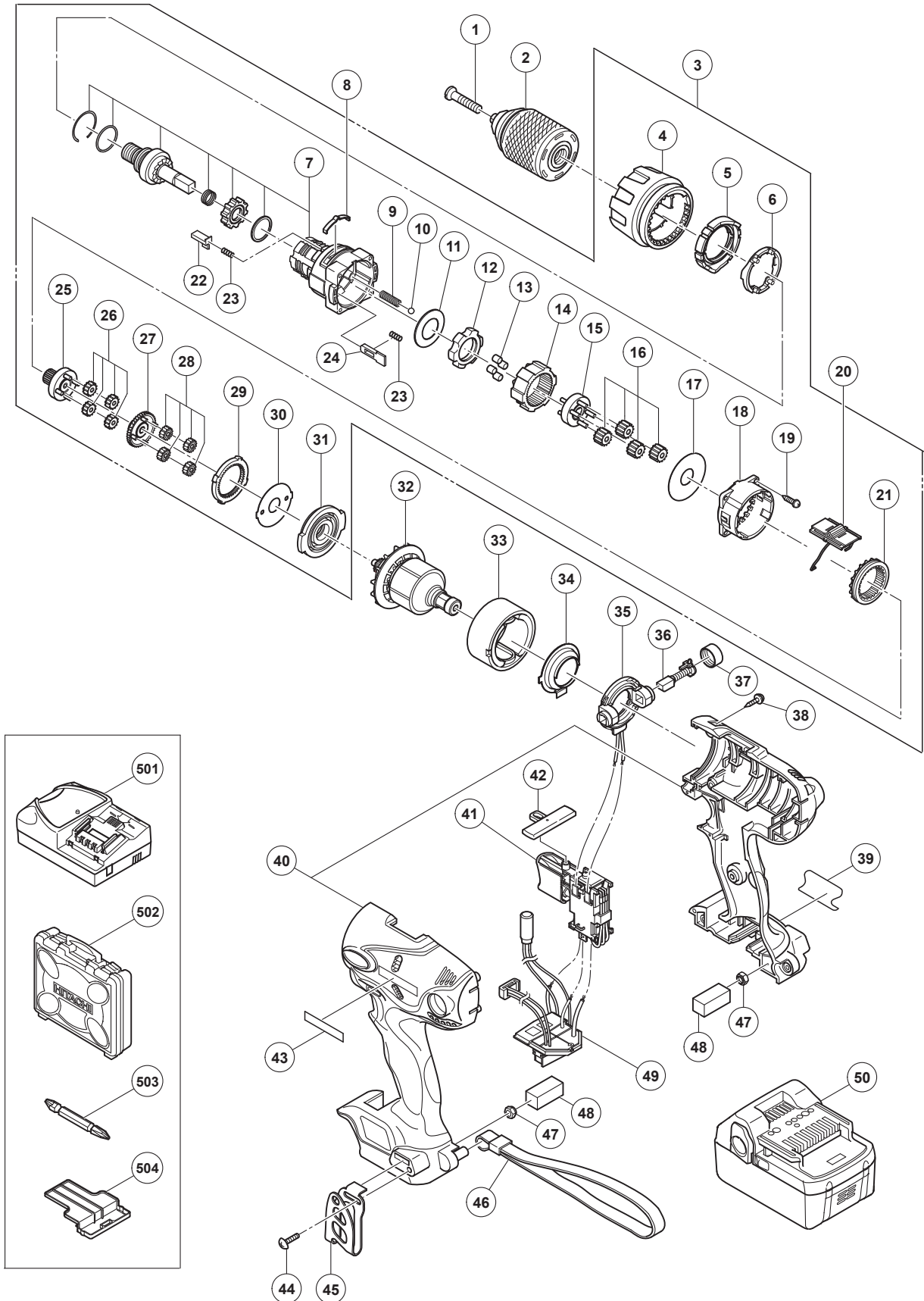


ELECTRIC TOOL PARTS LIST

CORDLESS IMPACT DRILL Model DV 18DSL

2008·9·19
(E1)



PARTS

DV 18DSL

ITEM NO.	CODE NO.	DESCRIPTION	NO. USED	REMARKS	
*	1	330-094	SPECIAL SCREW (LEFT HAND) M6	1	
*	1	995-344	FLAT HD. SCREW (A) (LEFT HAND) M6X25	1	FOR USA, CAN
*	2	323-898	DRILL CHUCK 13VLRN-N (W/O CHUCK WRENCH)	1	
*	2	320-684	DRILL CHUCK 13VLRG-N (W/O CHUCK WRENCH)	1	FOR NOR, SWE, DEN, FIN
	3	330-746	GEAR BOX ASS'Y	1	INCLUD. 4-7, 9-19, 21-31
	4	328-728	CLUTCH DIAL	1	
	5	328-716	NUT	1	
	6	328-715	PLATE (A)	1	
	7	328-713	FRONT CASE	1	
	8	320-773	CLICK SPRING	1	
	9	327-143	SPRING (A)	4	
	10	306-936	STEEL BALL D5	4	
	11	328-717	WASHER (B)	1	
	12	328-718	LOCK RING	1	
	13	319-744	ROLLER	4	
	14	328-721	RING GEAR	1	
	15	328-720	CARRIER	1	
	16	328-722	PLANET GEAR (C) SET (4 PCS.)	4	
	17	320-762	PLATE (B)	1	
	18	320-763	REAR CASE	1	
	19	320-087	SCREW SET M3X12 (4 PCS.)	4	
	20	330-747	SHIFT KNOB (A)	1	
	21	330-059	SLIDE RING GEAR	1	
	22	329-456	SLIP BLOCK	2	
	23	327-133	STOPPER SPRING	4	
	24	328-730	STOPPER	2	
	25	328-724	PINION (C)	1	
	26	320-781	PLANET GEAR (B) SET (4 PCS.)	4	
	27	328-725	PINION (B)	1	
	28	328-727	PLANET GEAR (A) SET (4 PCS.)	4	
	29	328-726	FIRST RING GEAR	1	
	30	320-768	PLATE (A)	1	
	31	320-769	MOTOR SPACER	1	
	32	360-860	ARMATURE AND PINION SET	1	
	33	322-520	MAGNET	1	
	34	322-521	DUST GUARD	1	
	35	322-993	BRUSH BLOCK	1	
	36	999-054	CARBON BRUSH 5X6X11.5 (1 PAIR)	2	
	37	319-918	BRUSH CAP	2	
	38	313-687	TAPPING SCREW (W/FLANGE) D3X16 (BLACK)	8	
	39		NAME PLATE	1	
	40	330-090	HOUSING (A).(B) SET (GREEN)	1	
	41	329-173	DC-SPEED CONTROL SWITCH	1	
	42	329-454	PUSHING BUTTON (A)	1	
	43		HITACHI LABEL	1	
	44	327-001	M4 TRUSS HD. SCREW (BLACK)	1	
	45	326-790	HOOK (A)	1	
	46	306-952	STRAP (BLACK)	1	
	47	327-002	LOCK NUT M4 (BLACK)	2	
	48	327-004	PACKING	2	

PARTS

DV 18DSL

ITEM NO.	CODE NO.	DESCRIPTION	NO. USED	REMARKS
49	330-095	CONTROLLER TERMINAL SET	1	
* 50	330-068	BATTERY BSL 1830 (EUROPE, AUS, NZL)	2	INCLUD. 504
* 50	330-067	BATTERY BSL 1830 (USA, CAN)	2	INCLUD. 504

STANDARD ACCESSORIES

ITEM NO.	CODE NO.	DESCRIPTION	NO. USED	REMARKS
501		CHARGER (MODEL UC 18YRSL)	1	
502	329-848	CASE	1	
503	983-006	+ DRIVER BIT NO. 2 65L	1	
504	329-897	BATTERY COVER	1	

