

PARTS CATALOG

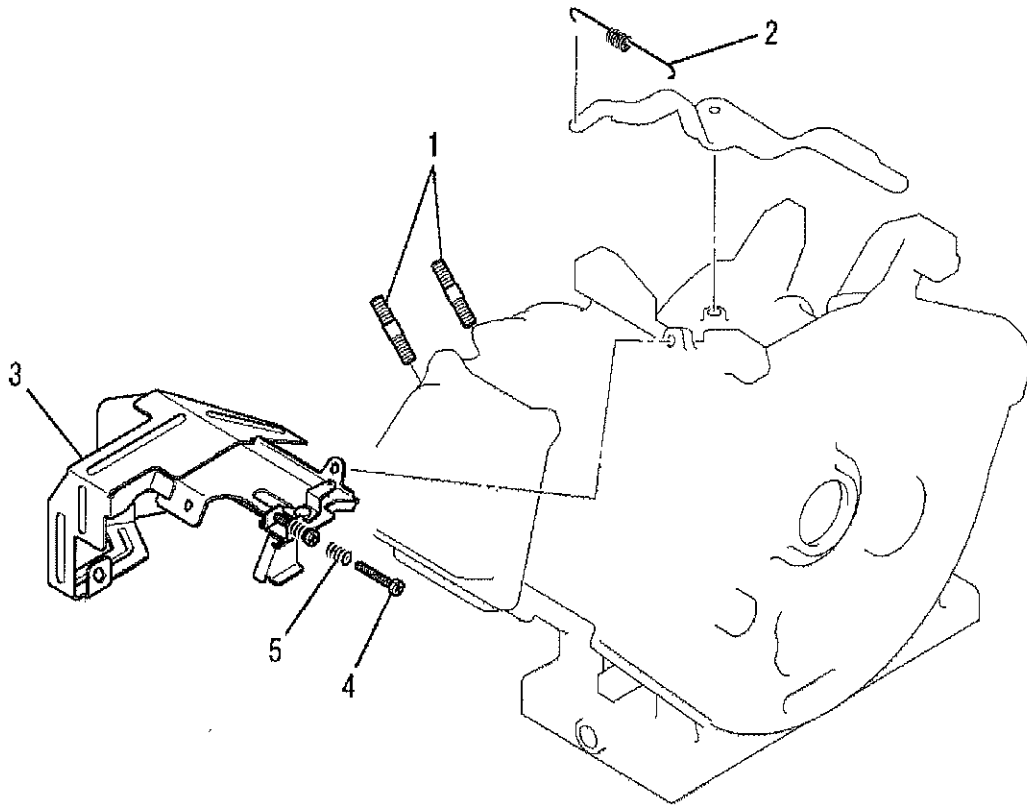
MITSUBISHI GENERATOR

MODEL E40MA (MGE4800-J52)

AUG., 2007

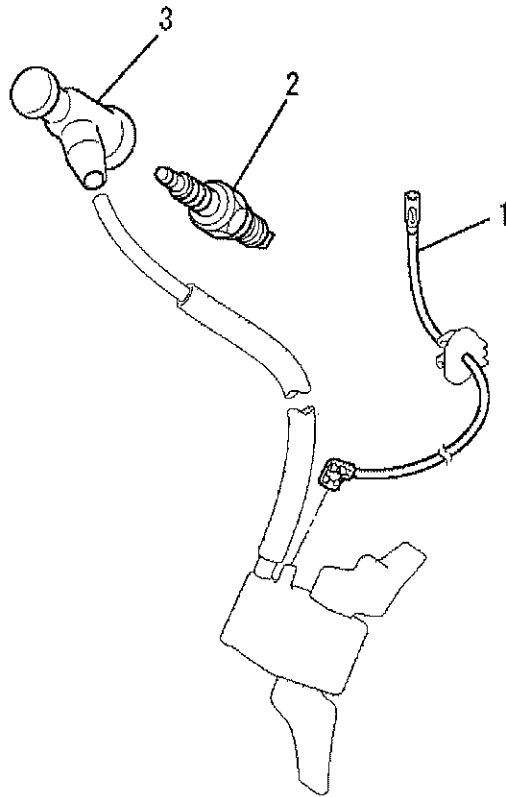
MITSUBISHI HEAVY INDUSTRIES, LTD.

1. BOLT, SPRING, COVER



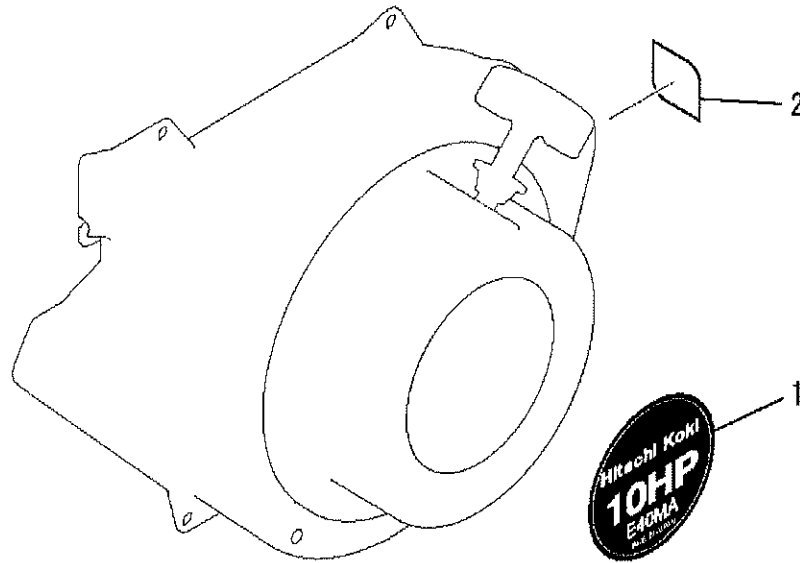
No.	R/N	Parts No.	Parts Name	No. Req'd	Inte	Remarks	Serial No. (From~To)
1		B155B08X020	BOLT, STUD	2			
2		KG34017EA	SPRING, GOV	1			
3		KH40111AA	COVER, TOP	1		INCL. NO. 4, 5	
4		KU14032AA	BOLT	1			
5		KU80017AA	SPRING	1			

2. LEAD WIRE, PLUG, CAP



No.	R/N	Parts No.	Parts Name	No. Req'd	Inte	Remarks	Serial No. (From~To)
1		KE90057AA	WIRE, LEAD	1			
2		KE41005AA	PLUG, SPARK	1		BPR5ES	
3		KE42024AA	CAP, PLUG	1			

3. LABEL, FUEL HOSE

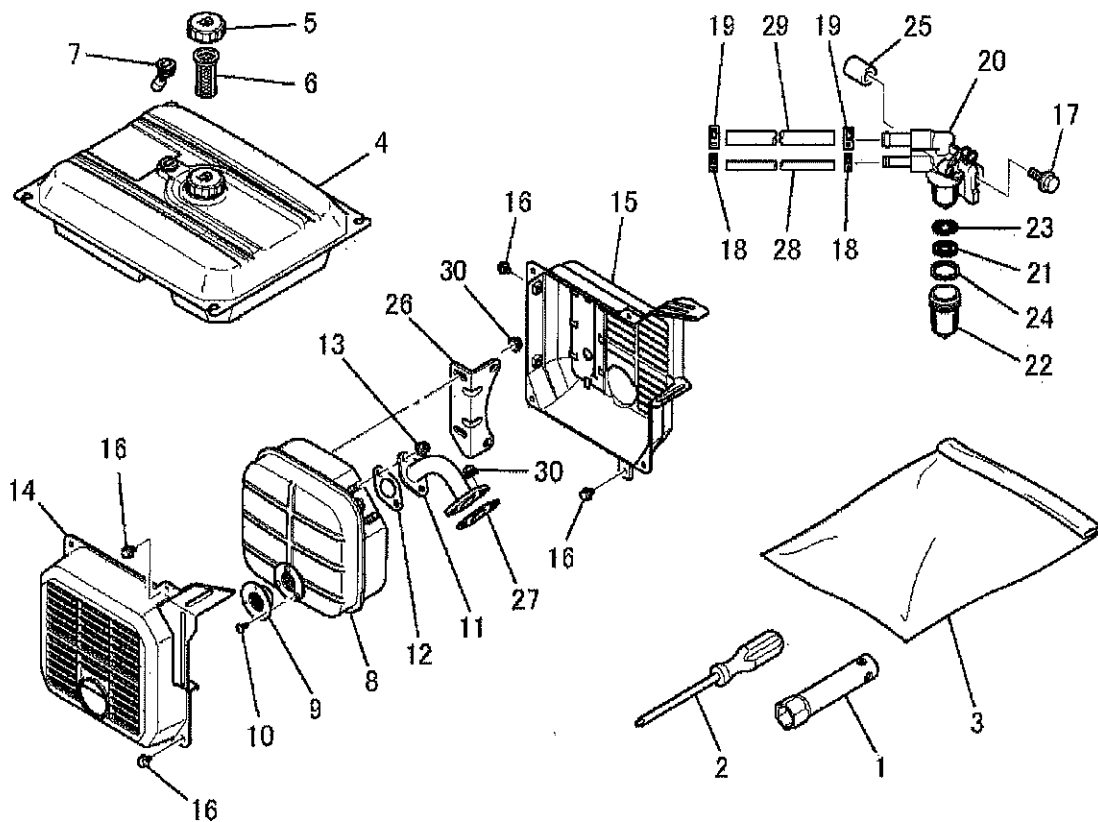


No.	R/N	Parts No.	Parts Name	No. Req'd	Inte	Remarks	Serial No. (From~To)
-----	-----	-----------	------------	-----------	------	---------	----------------------

1		KW52185EB	LABEL, NAME	1			
---	--	-----------	-------------	---	--	--	--

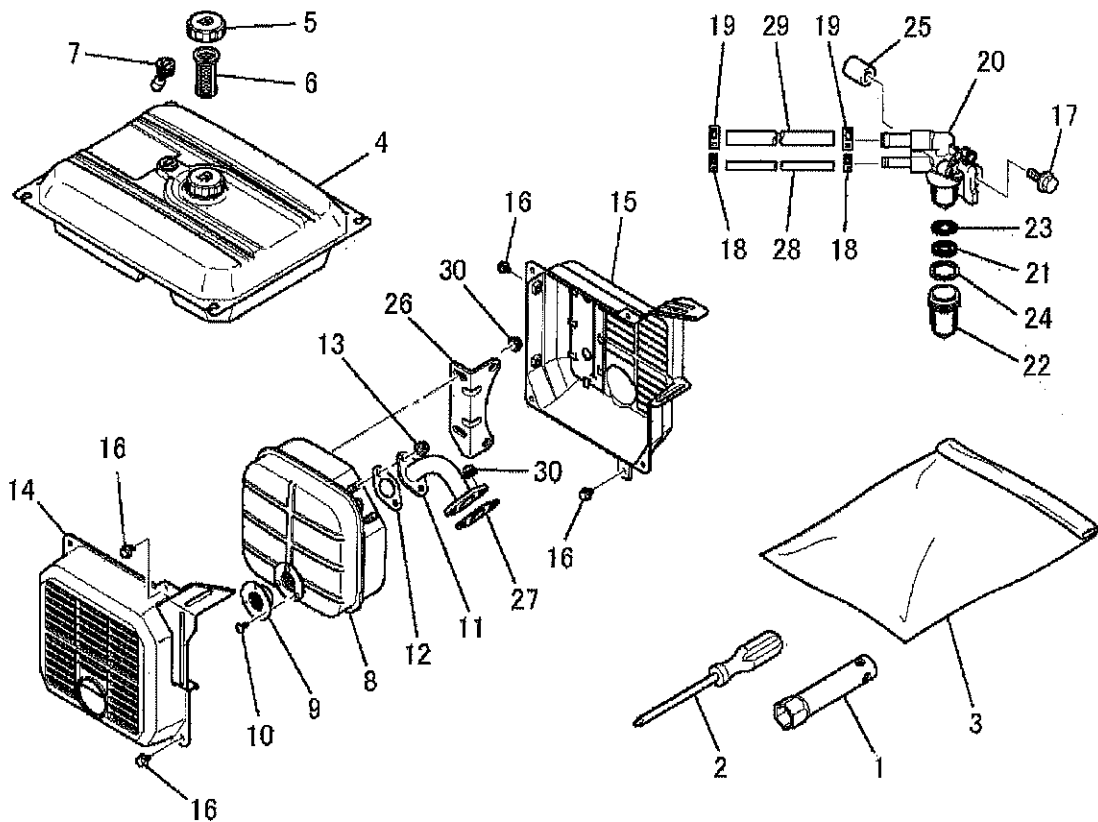
2		KW56282EA	LABEL	1			
---	--	-----------	-------	---	--	--	--

4. TOOL SET



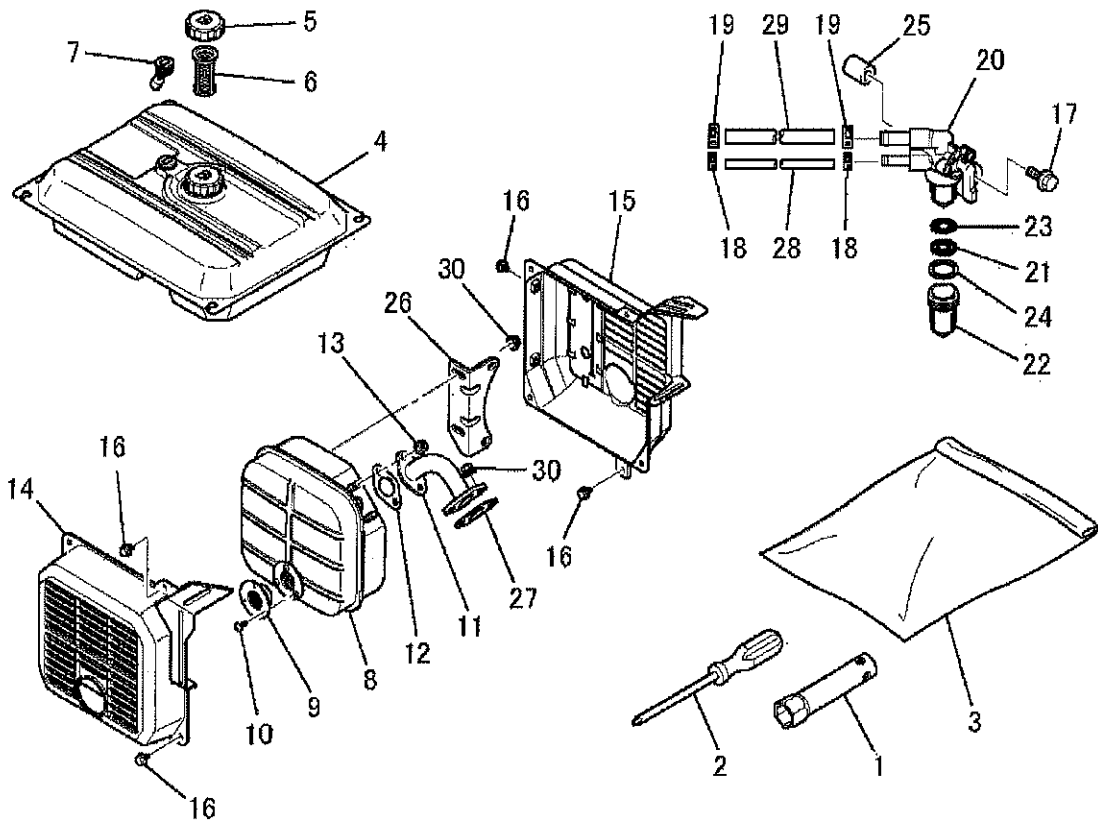
No.	R/N	Parts No.	Parts Name	No. Req'd	Inte	Remarks	Serial No. (From~To)
1		KN12004CA	SPANNER, BOX	1			
2		KN13001AA	DRIVER, SCREW	1			
3		FA21533D	BAG, TOOL	1			
4		KF04093AH	FUEL TANK ASSY	1		INCL. NO. 5-7	
5		KF05010CA	TANK CAP ASSY	1			
6		KF40003AA	FILTER, FUEL	1			
7		KF90080DA	GAUGE, OIL	1			
8		KM17024AA	MUFFLER	1		INCL. NO. 9, 10	
9		KM17024AA015	SCREEN	1			
10		W006D04X008K	SCREW	3			
11		KM30006AA	PIPE, EXHAUST	1			
12		KM70032AB	GASKET, MUFFLER	1			

4. TOOL SET



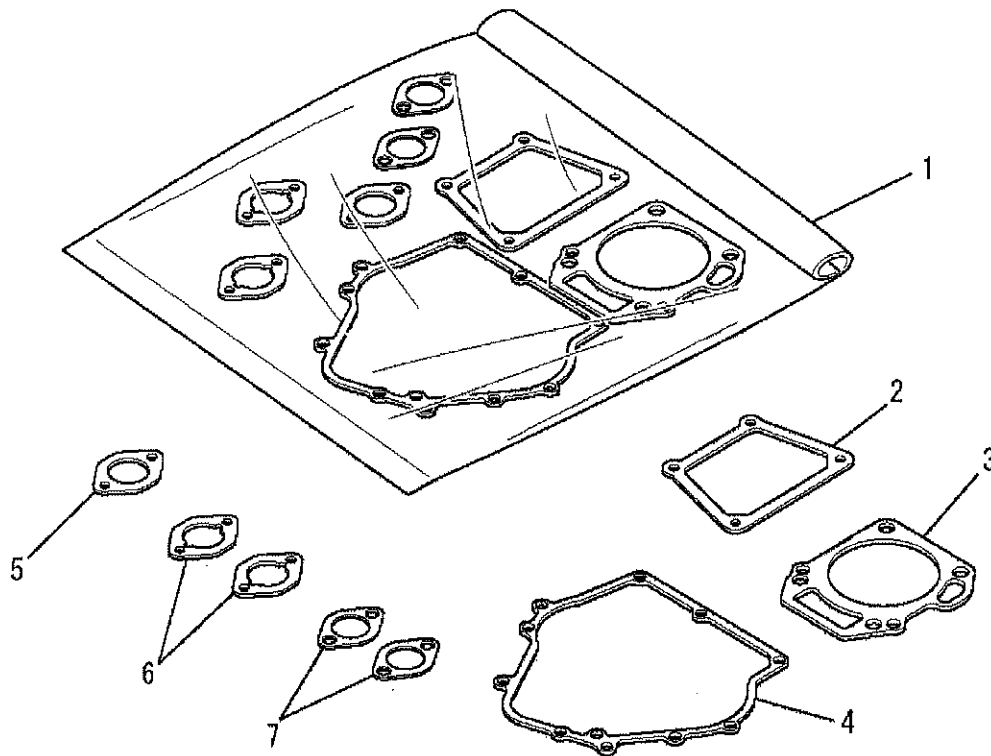
No.	R/N	Parts No.	Parts Name	No. Req'd	Inte	Remarks	Serial No. (From~To)
13		ZZ70028C	NUT, CONICAL SPG	2			
14		KM27043AA	COVER, MUFFLER	1			
15		KM27044AA	COVER, MUFFLER	1			
16		B800A06X008K	BOLT, FLANGE	7			
17		B800A06X025	BOLT, FLANGE	1			
18		FR53226	CLIP	2			
19		FR67419	CLIP	2			
20		KF31036AA	COCK, FUEL	1		INCL. NO. 21-24	
21		KF31035AA012	PACKING	1			
22		KF31036AA106	CUP	1			
23		KF31035AA003	FILTER, FUEL	1			
24		KF31035AA102	PACKING	1			

4. TOOL SET



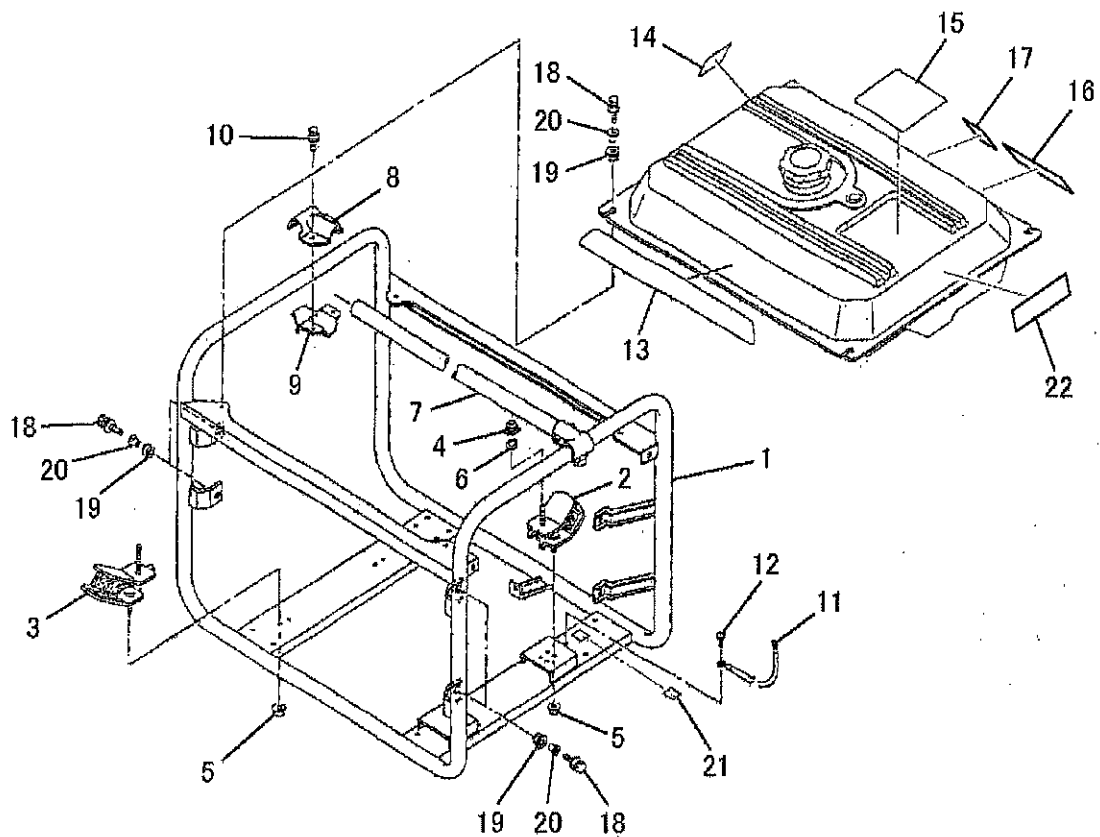
No.	R/N	Parts No.	Parts Name	No. Req'd	Inte	Remarks	Serial No. (From~To)
25		KF90105AA	SPACER	1			
26		KM60014AA	BRACKET, MUFFLER	1			
27		KM70032AB	GASKET, MUFFLER	1			
28		P051Y04X220	HOSE, FUEL	1			
29		P051Y08X470	HOSE, FUEL	1			
30		ZZ70028C	NUT, CONICAL SPG	4			

5. GASKET SET



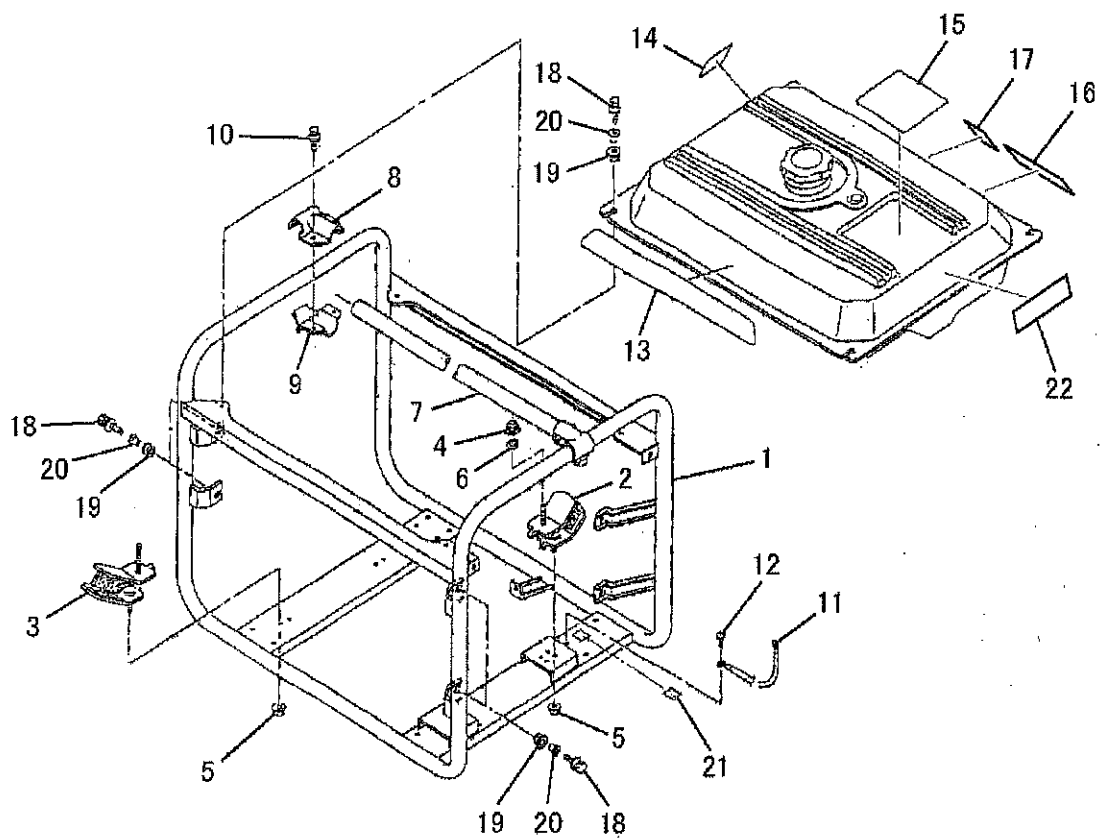
No.	R/N	Parts No.	Parts Name	No. Req'd	Inte	Remarks	Serial No. (From~To)
1		KW39058DA	GASKET SET	1		INCL. NO. 2-7	
2		KW33002AA	GASKET, HEAD COVER	1			
3		KC66009AA	GASKET, HEAD	1			
4		KW31007AA	GASKET, CRANKCASE	1			
5		KW34001AA	GASKET, CARBURETOR	1			
6		KW34005AA	GASKET, CARBURETOR	2			
7		KM70032AB	GASKET, MUFFLER	2			

6. FRAME & TANK



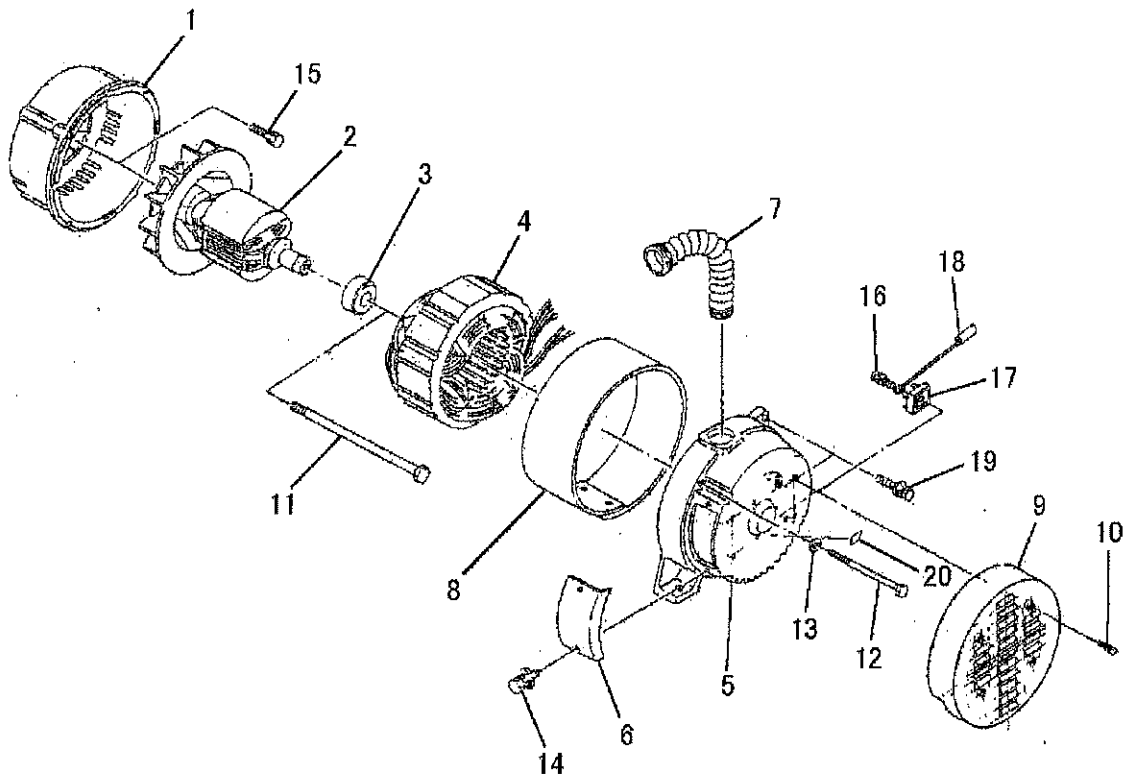
No.	R/N	Parts No.	Parts Name	No. Req'd	Inte	Remarks	Serial No. (From~To)
1		KYF011003597	MG PIPE FRAME UN	1			
2		KYG060000842	MG RUBBER MOUNT UN	2			
3		KYG060000871	MG RUBBER MOUNT UN	2			
4		KY0022010000	NUT, FLANGE	4			
5		KY0022008000	NUT, FLANGE	4			
6		KY0030010000	WASHER	1			
7		KYF272000021	MG FRAM, PIPE	2			
8		KYF052000020	CLAMP	4			
9		KYF052000030	CLAMP	4			
10		KY0013006020	MG BOLT	8			
11		KYF070000240	MG EARTH WIRE	1			
12		KY0011305008	SCREW&WASHER	1			

6. FRAME & TANK



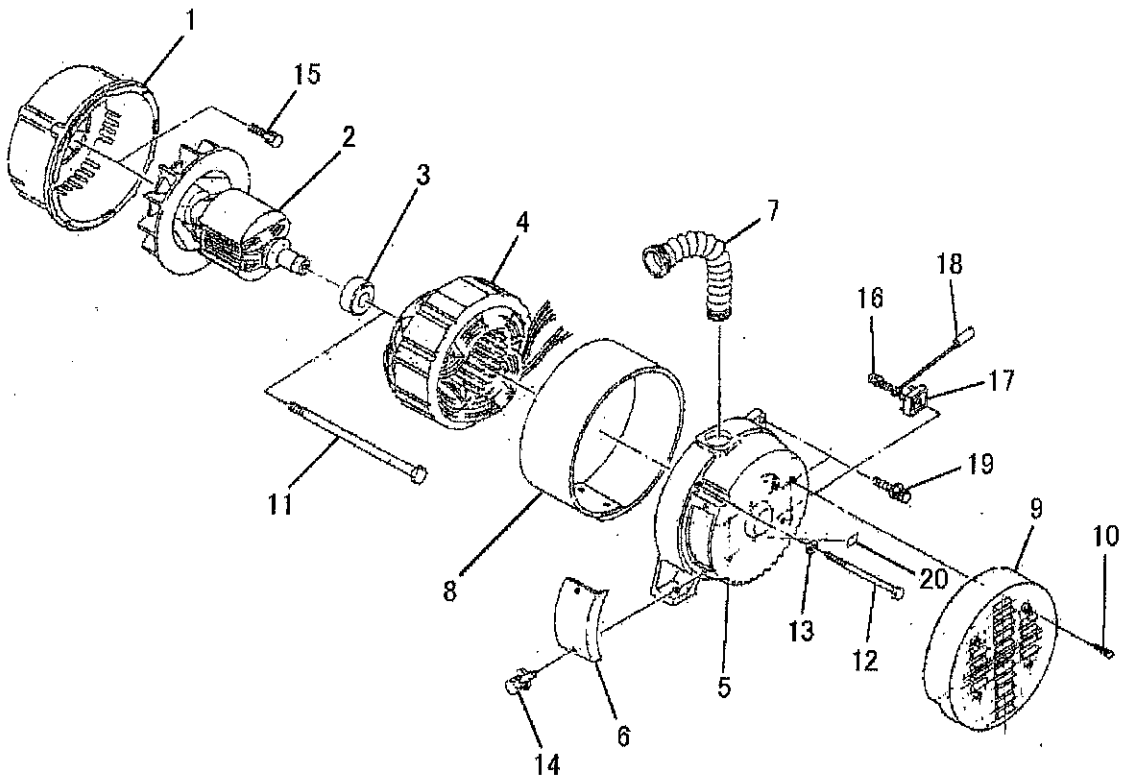
No.	R/N	Parts No.	Parts Name	No. Req'd	Inte	Remarks	Serial No. (From~To)
13		KYC011402520	MG LABEL (BRAND)	1			
14		KYC081000450	LABEL	1			
15		KYT020002790	MG LABEL	1			
16		KYT020002061	MG LABEL	1			
17		KYB13MX00830	MG LABEL (LWA)	1			
18		KY0012906020	MG BOLT, FLANGE	8			
19		KU50018AA	BUSH	8			
20		KU50019AA	SPACER	8			
21		KYC011700081	MG LABEL, EARTH MARK	1			
22		KYB12M240830	MG LABEL, SPEC	1			

7. GRNERATOR



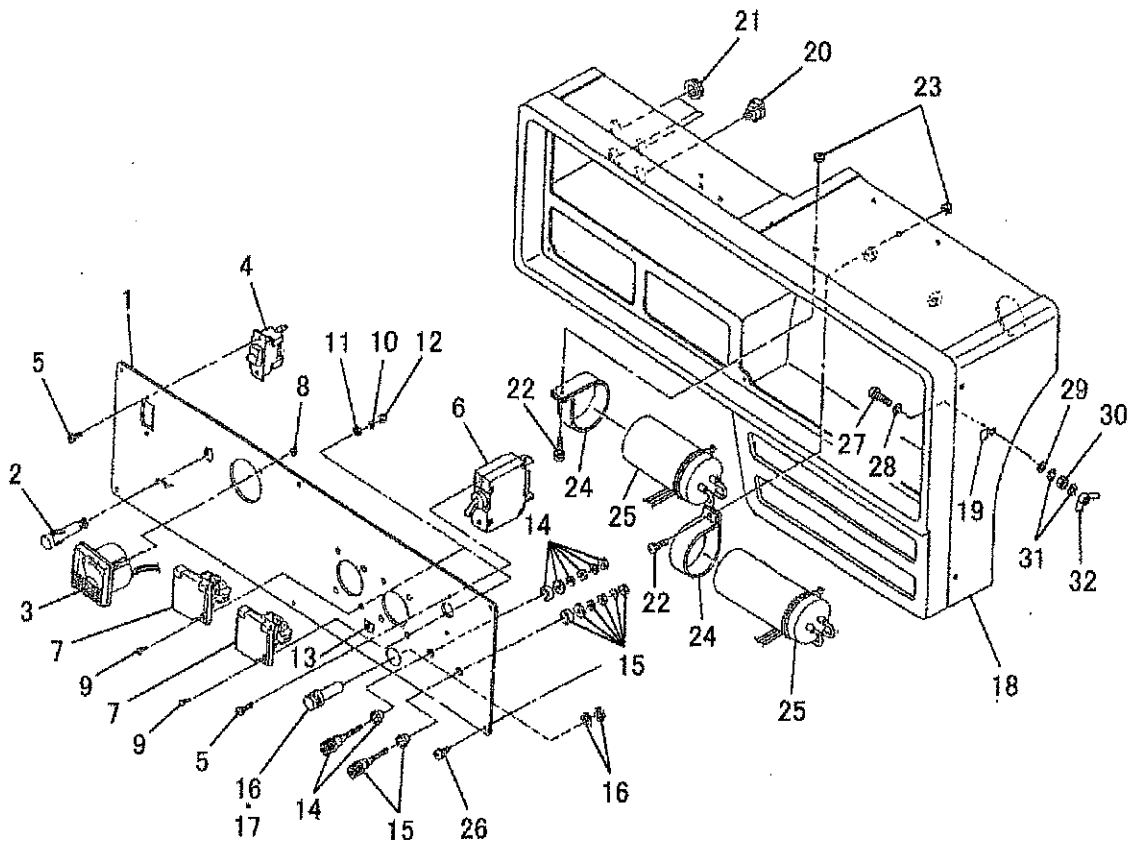
No.	R/N	Parts No.	Parts Name	No. Req'd	Inte	Remarks	Serial No. (From~To)
1		KYG010000063	MG BRACKET, FRONT	1			
2		KYG020001831	ROTOR	1			
3		KY0006205ZZ0	BEARING, BALL	1			
4		KYG040007921	MG STATOR CP	1			
5		KYG080001122	MG BRACKET, REAR	1			
6		KYG110000020	MG BRUSH COVER	1			
7		KYG070000270	MG BUSHING	1			
8		KYG120001321	COVER	1			
9		KYG140000160	MG COVER	1			
10		KY0013005020	MG BOLT, FLANGE	4			
11		KY0013510240	BOLT	1			
12		KY0013508150	BOLT	4			

7. GRNERATOR



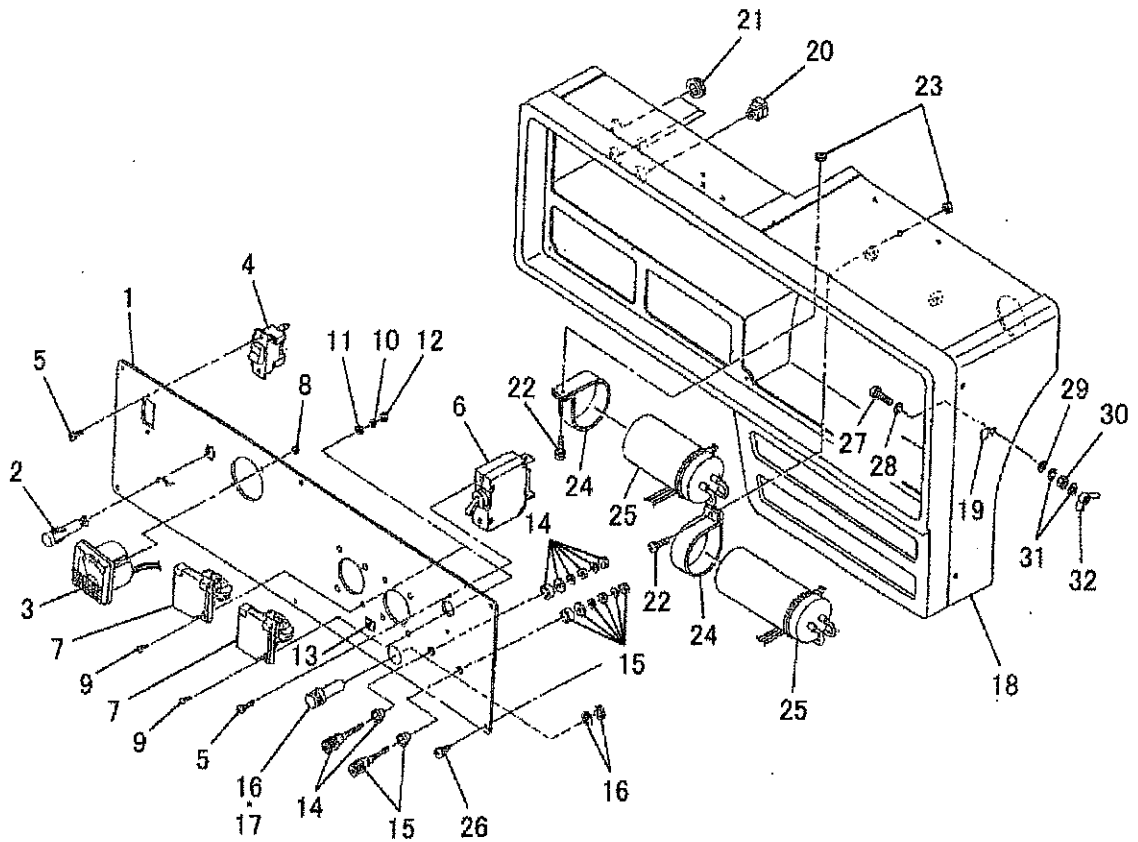
No.	R/N	Parts No.	Parts Name	No. Req'd	Inte	Remarks	Serial No. (From~To)
13		KY0030308000	WASHER, SPG	4			
14		KY0013705012	BOLT&WASHER	2			
15		KY0013708020	MG BOLT	4			
16		KY0011204020	MG SCREW	1			
17		KY015S15VB20	MG DIODE STAK	1			
18		KYC190000620	MG WIRE CP	1			
19		KY0013708020	MG BOLT	2			
20		KYC011700081	MG LABEL, EARTH MARK	1			

8. CONTROL BOX



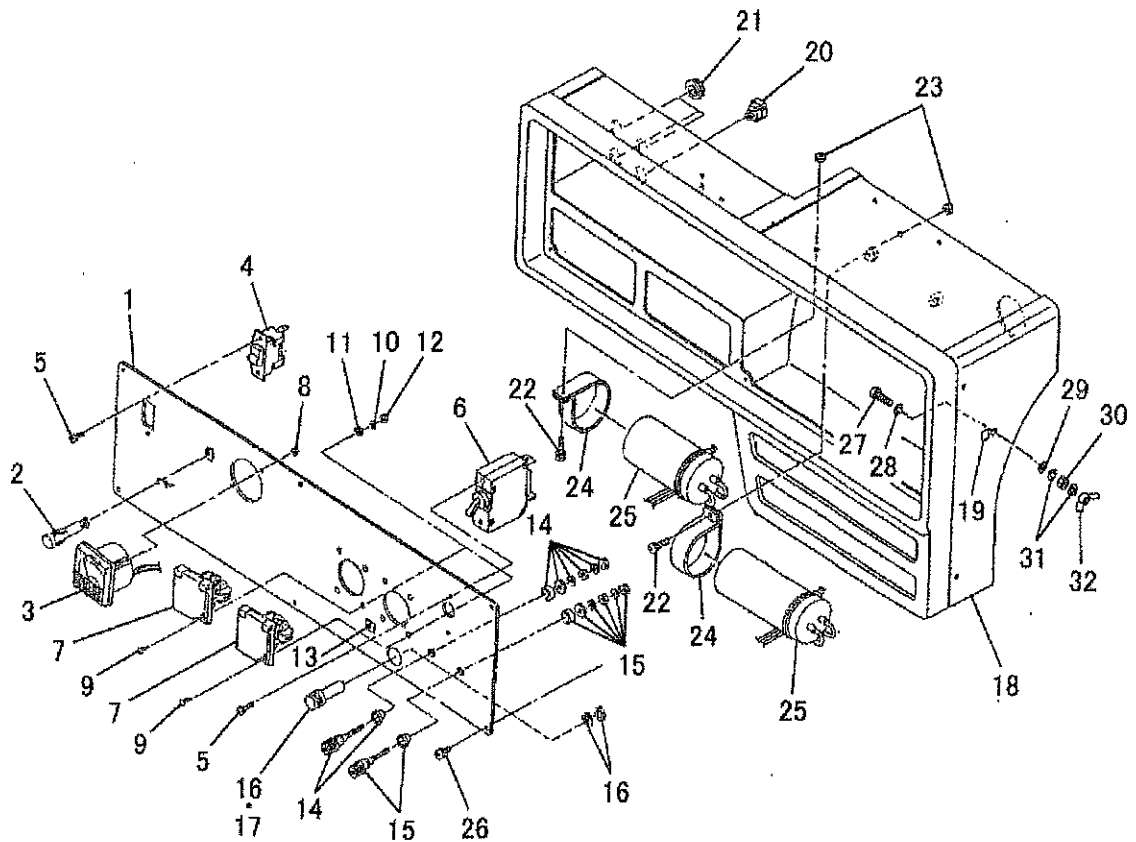
No.	R/N	Parts No.	Parts Name	No. Req'd	Inte	Remarks	Serial No. (From~To)
1		KYC011019430	MG PANEL A PRINT	1			
2		KY01401220R0	MG LAMP, PILOT	1			
3		KY00412240A1	MG VOLT METER	1			
4		KY0130757010	MG SWITCH	1			
5		KY0013303005	MG SCREW	4			
6		KY0080010015	MG BREAKER	1			
7		KY0069210216	MG RECEPTACLE	2			
8		KY0021903000	NUT	2			
9		KY0010203015	SCREW&WASHER	8			
10		KY0030303000	MG WASHER, SPRING	8			
11		KY0030003000	WASHER	8			
12		KY0020003000	NUT	8			

8. CONTROL BOX



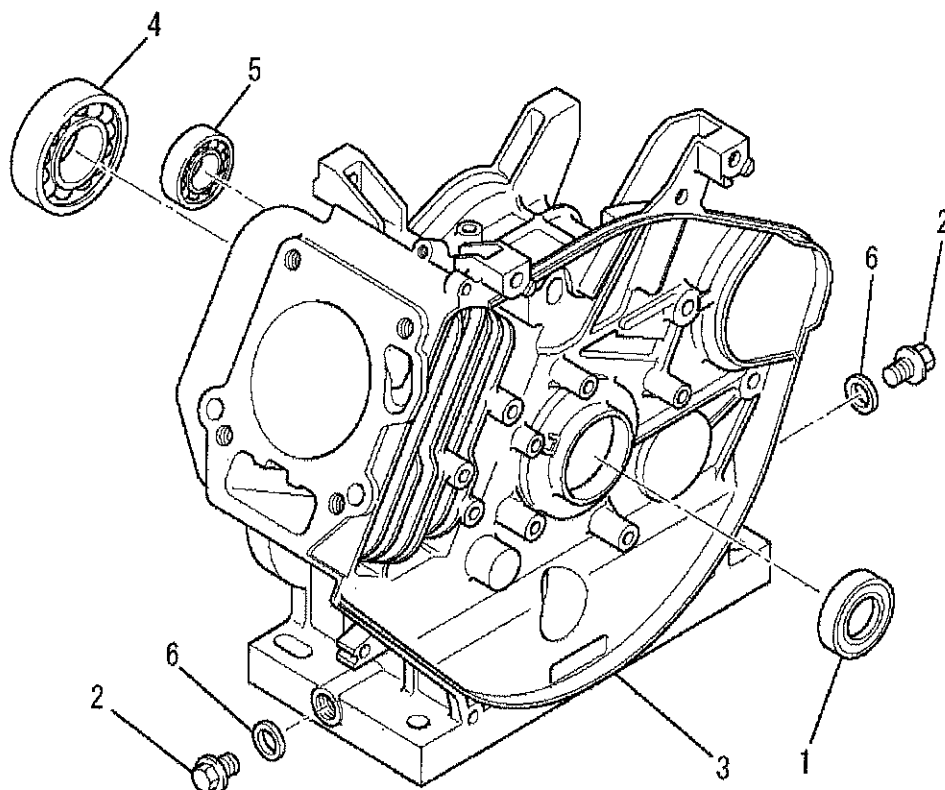
No.	R/N	Parts No.	Parts Name	No. Req'd	Inte	Remarks	Serial No. (From~To)
13		KYT020002080	MG LABEL	1			
14		KY009211201R	MG TERMINAL ASSY	1			
15		KY009211201B	MG TERMINAL ASSY	1			
16		KY0110100010	MG HOLDER, FUSE	1			
17		KY0120000010	MG FUSE	1		10A	
18		KY90074AA	PANEL, CONTROL	1			
19		KYC011700081	MG LABEL, EARTH MARK	1			
20		KY0200000000	BUSH	1			
21		KY0321140908	MG GROMMET	3			
22		KY0011204010	SCREW&WASHER	2			
23		KY0020004000	MG NUT	2			
24		KYC222000010	MG CONDENSER BRACKET	2			

8. CONTROL BOX



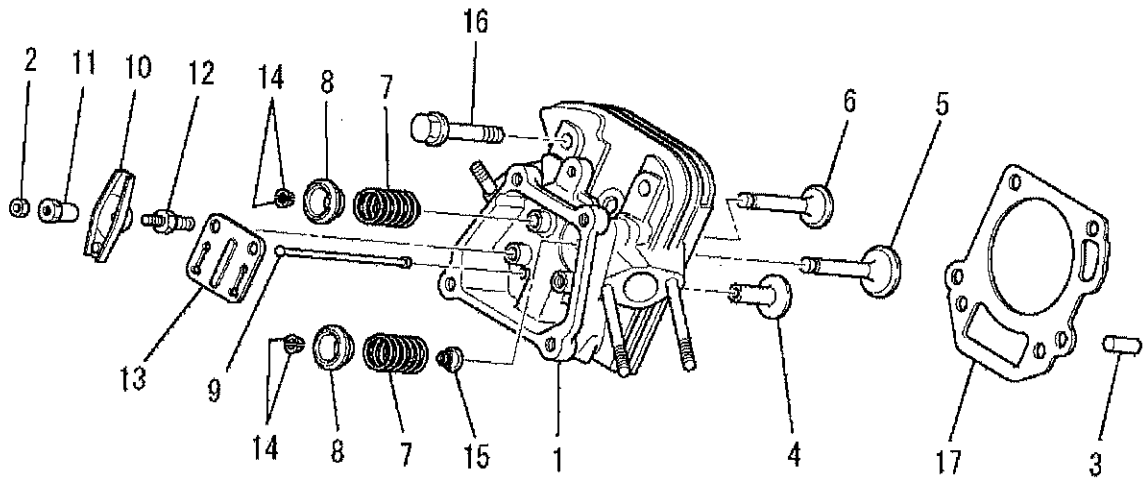
No.	R/N	Parts No.	Parts Name	No. Req'd	Inte	Remarks	Serial No. (From~To)
25		KYC220000390	CONDENSER	1			
26		KY0013304008	MG SCREW	6			
27		KY0010205020	MG SCREW	1			
28		KY0031205000	MG WASHER, SPG	1			
29		KY0030105000	MG WASHER	1			
30		KY0021905000	MG NUT	1			
31		KY0030405000	WASHER, SPG	2			
32		KY0021805000	MG WING NUT	1			

(A) CYLINDER BLOCK GROUP



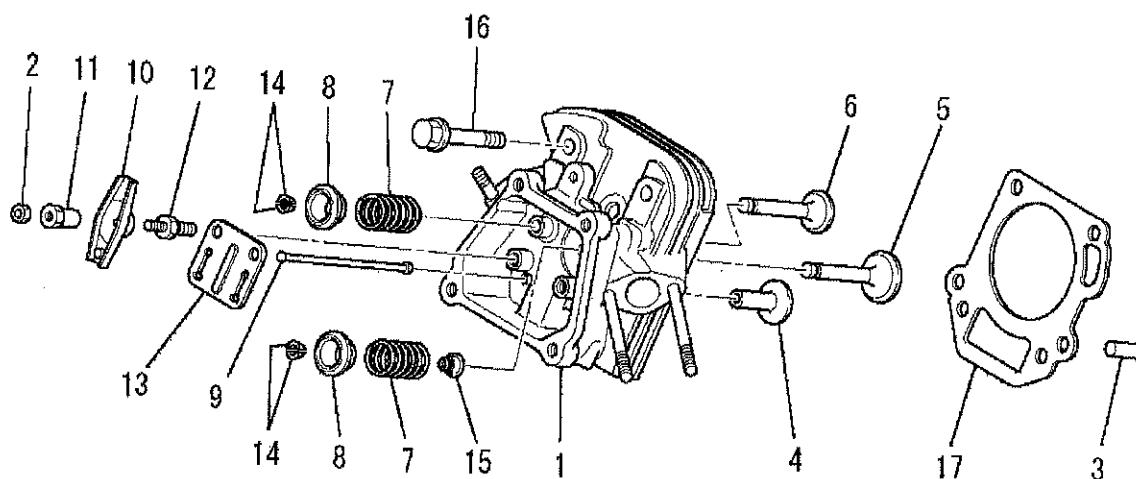
No.	R/N	Parts No.	Parts Name	No. Req'd	Inte	Remarks	Serial No. (From~To)
1		FA28011	OIL SEAL	1			
2		FN11223	PLUG, DRAIN	2			
3		KB46007CA	CYLINDER BLOCK	1			
4		S111X62X060	BEARING, BALL	1		#6206	
5		S111X62X030	BEARING, BALL	1		#6203	
6		ZZ70013A	GASKET	2			

(B) CYLINDER HEAD GROUP



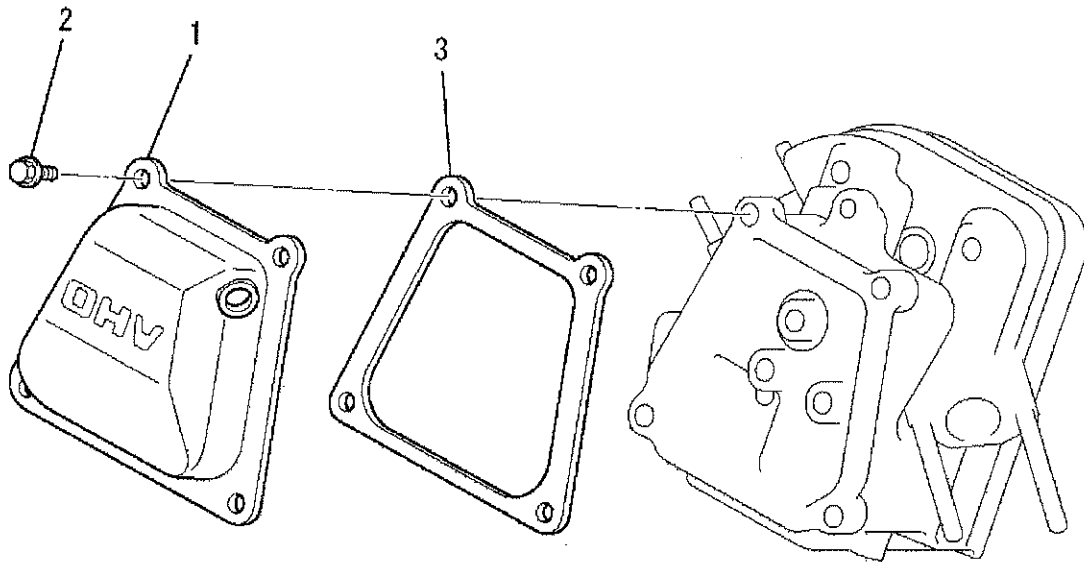
No.	R/N	Parts No.	Parts Name	No. Req'd	Inte	Remarks	Serial No. (From~To)
1		KC02029AA	CYLINDER HEAD ASSY	1		WITH B155B06X085	
2		KU23009AA	NUT	2			
3		KU44001AA	PIN, DOWEL	2			
4		KV24003AA	TAPPET	2			
5		KV35002BA	VALVE, INTAKE	1			
6		KV45002AA	VALVE, EXHAUST	1			
7		KV55006AA	SPRING, VALVE	2			
8		KV65003AA	RETAINER, VALVE SPG	2			
9		KV71004AA	ROD, PUSH	2			
10		KV72003AA	ARM, ROCKER	2			
11		KV73002AA	NUT	2			
12		KV74002AA	BOLT	2			

(B) CYLINDER HEAD GROUP



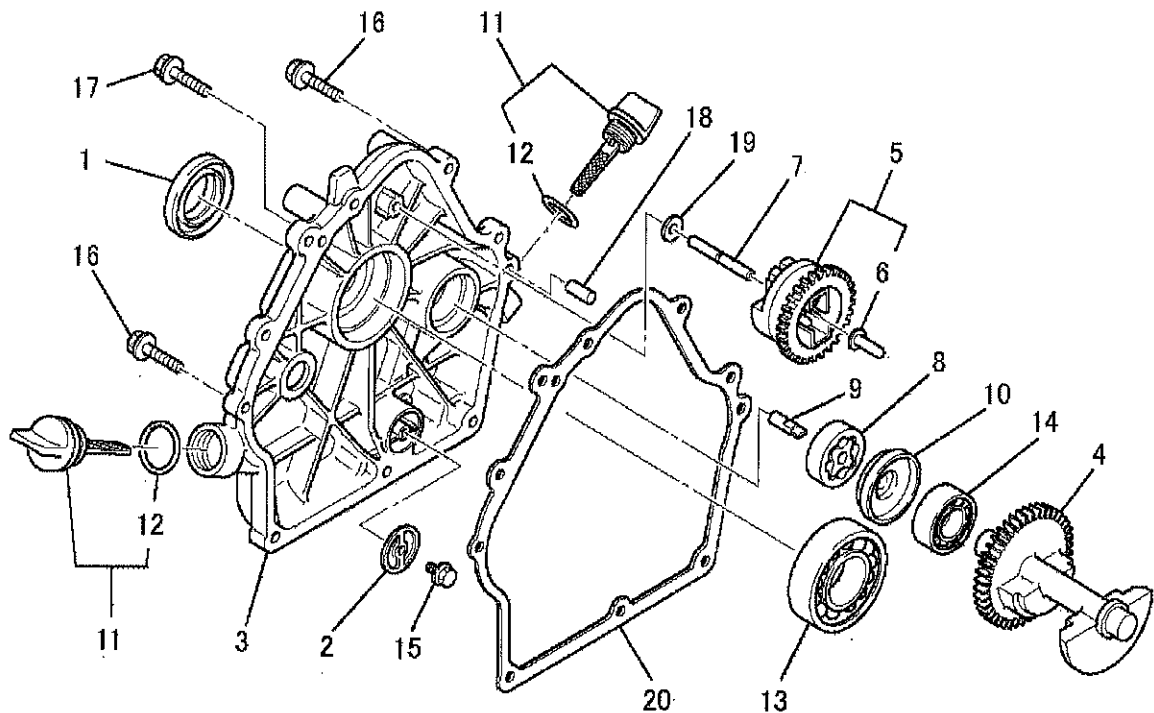
No.	R/N	Parts No.	Parts Name	No. Req'd	Inte	Remarks	Serial No. (From~To)
13		KV75006AA	PLATE	1			
14		KV75007AA	COTTER	4			
15		KW21019AA	SEAL, VALVE STEM	1			
16		B800B10X065	BOLT, FLANGE	4			
17		KC66009AA	GASKET, HEAD	1			

(C) HEAD COVER GROUP



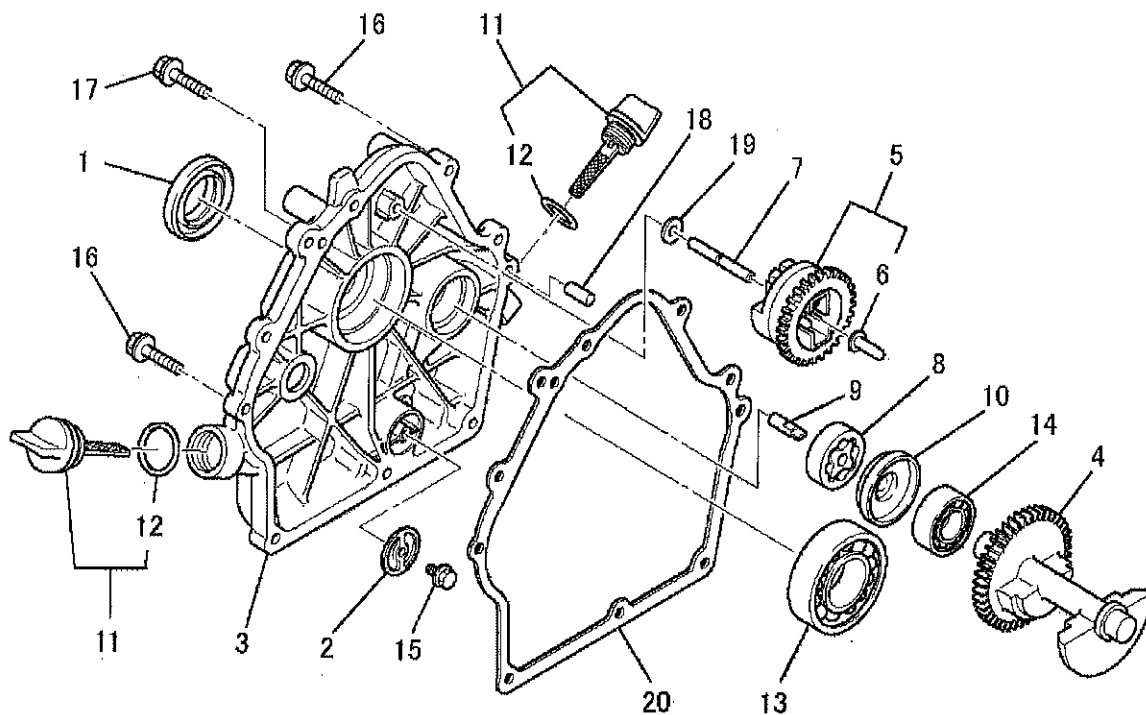
No.	R/N	Parts No.	Parts Name	No. Req'd	Inte	Remarks	Serial No. (From~To)
1		KC09002AA	COVER, HEAD	1			
2		B805B06X012	BOLT, FLANGE	4			
3		KW33002AA	GASKET, HEAD COVER	1			

(D) CASE COVER GROUP



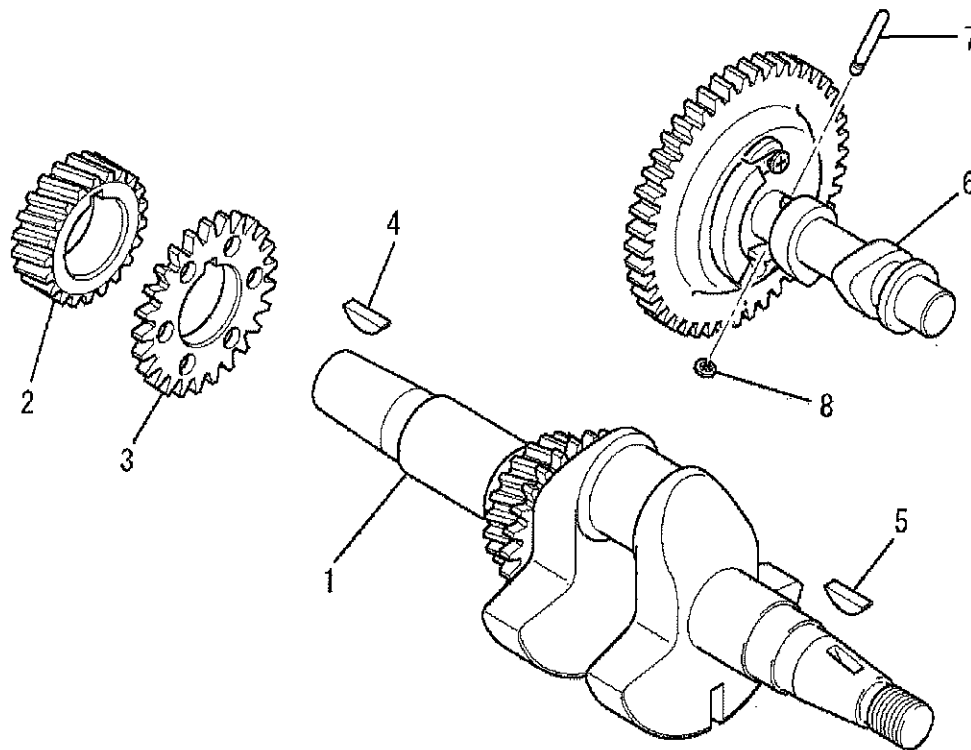
No.	R/N	Parts No.	Parts Name	No. Req'd	Inte	Remarks	Serial No. (From~To)
1		FA29008	OIL SEAL	1			
2		FA31015	FILTER, OIL	1			
3		KB66008GA	COVER, CRANKCASE	1			
4		KD51002AA	SHAFT, BALANCER	1			
5		KG01003CA	GOVERNOR GEAR ASSY	1		INCL. NO. 6	
6		KG14004AA	SLIDER, GOV	1			
7		KG22004AA	SHAFT, GOV	1			
8		KL11001AA	PUMP, OIL	1			
9		KL14009AA	SHAFT	1			
10		KL14010AA	SPACER	1			
11		KL21005EA	GAUGE, OIL	2		INCL. NO. 12	
12		KW29006AA	O-RING	2			

(D) CASE COVER GROUP



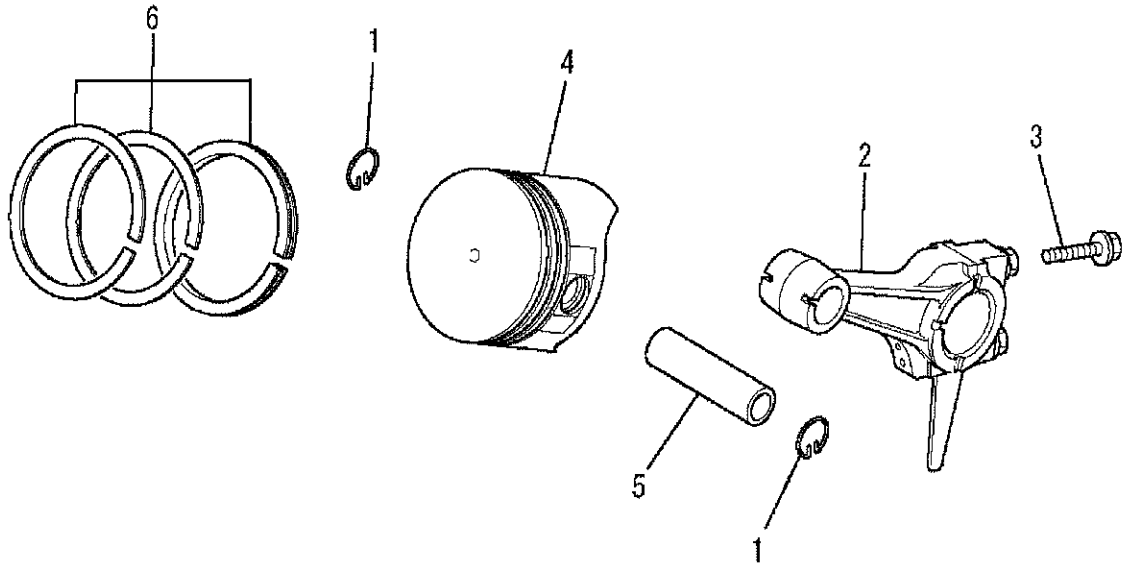
No.	R/N	Parts No.	Parts Name	No. Req'd	Inte	Remarks	Serial No. (From~To)
13		S111X62X060	BEARING, BALL	1		#6206	
14		S111X62X030	BEARING, BALL	1		#6203	
15		B800A06X008	BOLT, FLANGE	1			
16		B800B08X030	BOLT, FLANGE	8			
17		KU14031AA	BOLT, FLANGE	1			
18		KU44001AA	PIN, DOWEL	2			
19		W200H06	WASHER	1			
20		KW31007AA	GASKET, CRANKCASE	1			

(E) CRANKSHAFT GROUP



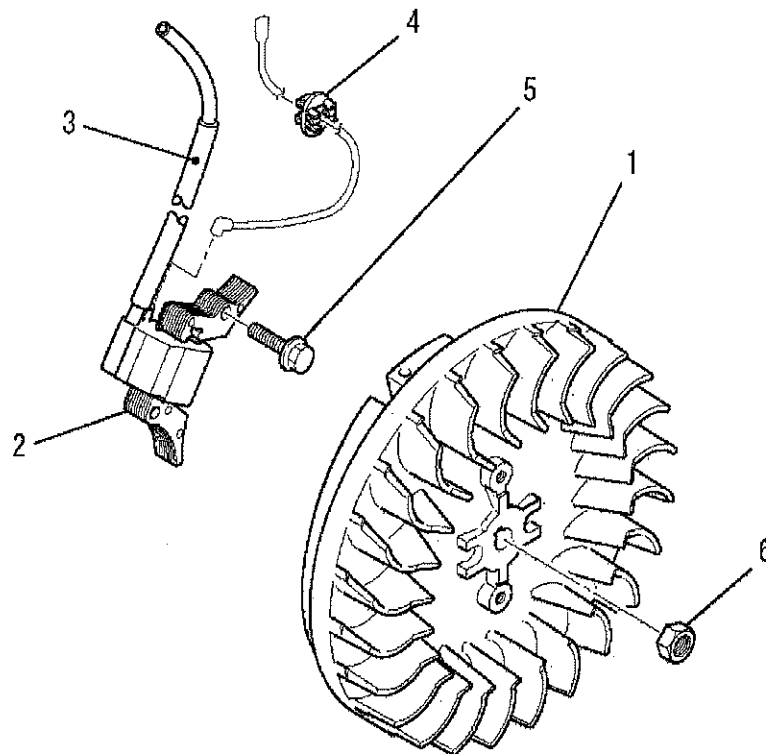
No.	R/N	Parts No.	Parts Name	No. Req'd	Inte	Remarks	Serial No. (From~To)
1		KD02034EA	CRANKSHAFT ASSY	1		INCL. NO. 2-4	
2		KD63021AA	GEAR, CRANKSHAFT	1			
3		KD63015AA	GEAR, BALANCER	1			
4		W430B05X016	KEY, WOODRUFF	1			
5		W430B05X016	KEY, WOODRUFF	1			
6		KV01196DA	CAMSHAFT GEAR ASSY	1		INCL. NO. 7, 8	
7		KV83009FA	PIN	1			
8		S500P03	SNAP RING	1			

(F) PISTON & ROD GROUP



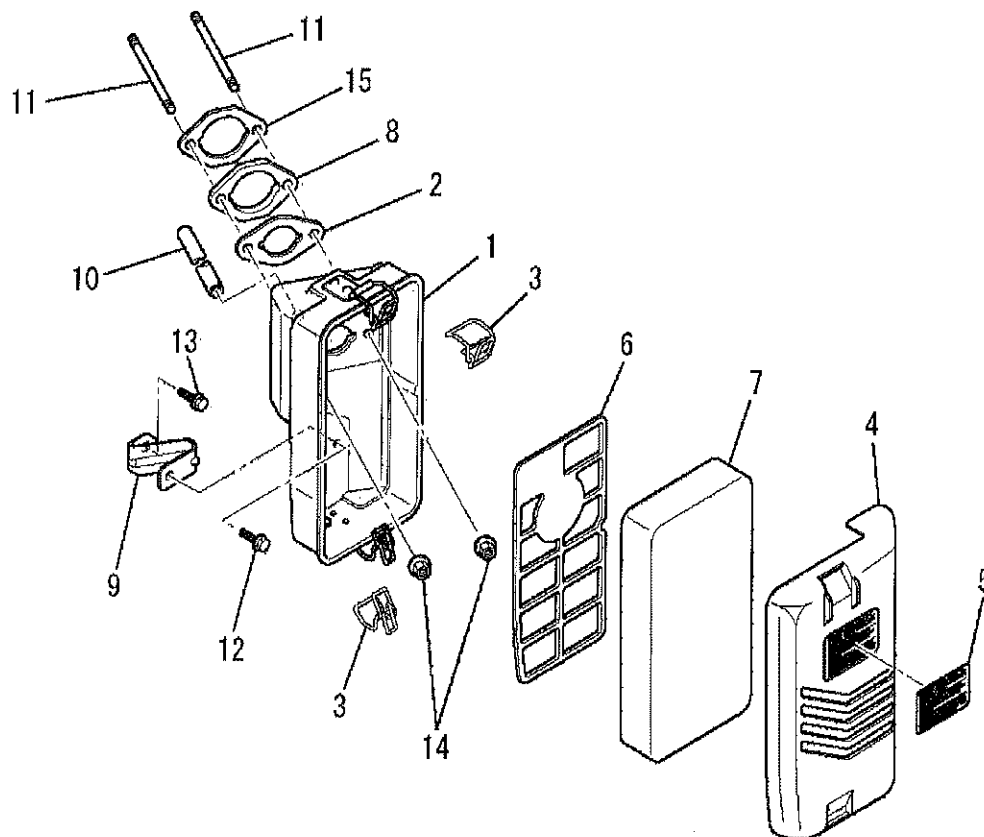
No.	R/N	Parts No.	Parts Name	No. Req'd	Inte	Remarks	Serial No. (From~To)
1		BG04486	CLIP, PISTON PIN	2			
2		KD03020AA	CONNECTING ROD ASSY	1		STD INCL. NO. 3	
2	1	KD03020BA	CONNECTING ROD ASSY	1		US 0.25 INCL. NO. 3	
2	2	KD03020CA	CONNECTING ROD ASSY	1		US 0.50 INCL. NO. 3	
3		KD70001AA	BOLT	2			
4		KP17010AA	PISTON	1		STD	
4	1	KP17010BA	PISTON	1		OS 0.25	
4	2	KP17010CA	PISTON	1		OS 0.50	
5		KP57002AA	PIN, PISTON	1			
6		KP02010AA	PISTON RING SET	1		STD	
6	1	KP02010BA	PISTON RING SET	1		OS 0.25	
6	2	KP02010CA	PISTON RING SET	1		OS 0.50	

(G) MAGNETO GROUP



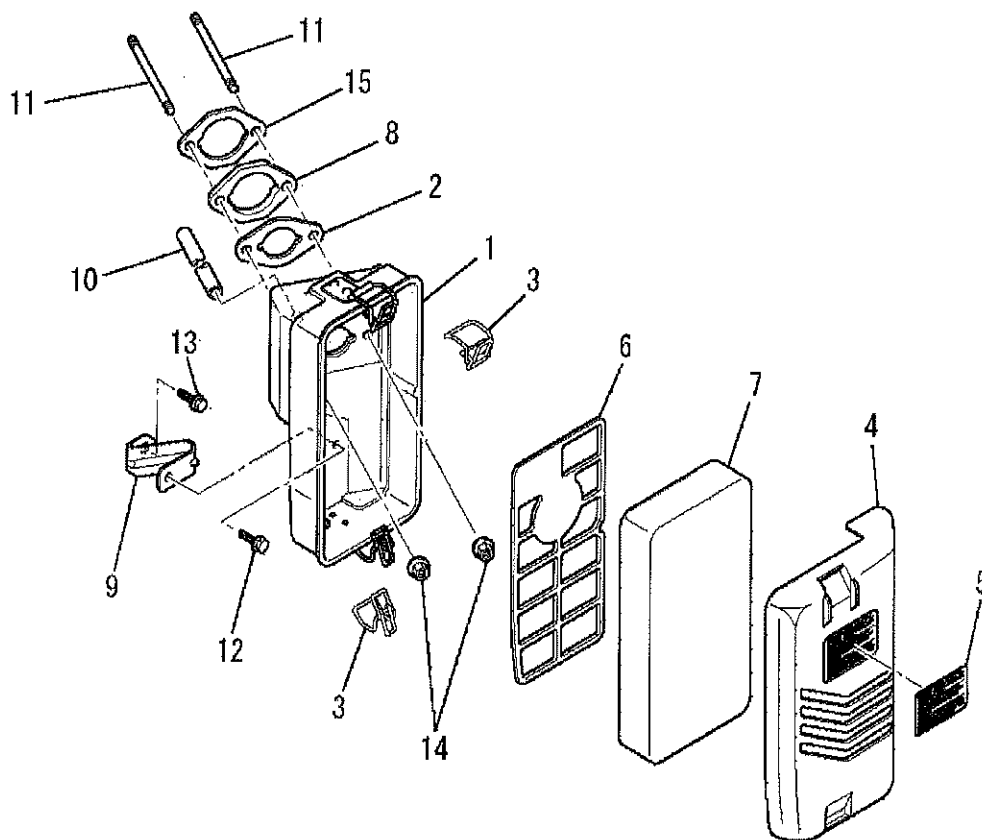
No.	R/N	Parts No.	Parts Name	No. Req'd	Inte	Remarks	Serial No. (From~To)
1		KE12010DA	FLYWHEEL	1			
2		KE24010BA	COIL, IGNITION	1			
3		KE90073AA	TUBE	1			
4		KU70007AA	CLIP	1			
5		B805B06X030	BOLT, FLANGE	2			
6		FR41231	NUT	1			

(H) AIR CLEANER GROUP



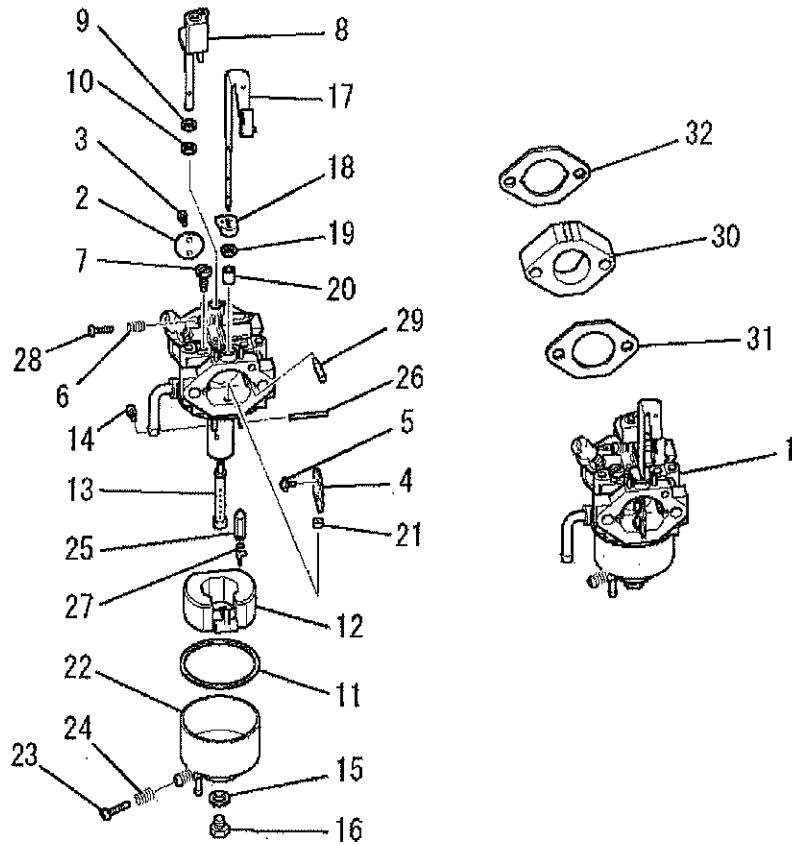
No.	R/N	Parts No.	Parts Name	No. Req'd	Inte	Remarks	Serial No. (From~To)
1		KA11009AA	CASE, CLEANER	1		INCL. NO. 2, 3	
2		KA11004BA007	GASKET	1			
3		KA90144AA	HOLDER	2			
4		KA20045AA	COVER, CLEANER	1		INCL. NO. 5	
5		FA24115	LABEL, INSTRUCTION	1			
6		KA30016AA	GRID	1			
7		KA40059AA	ELEMENT, CLEANER	1			
8		KA90059CA	SPACER	1			
9		KA90097AA	BRACKET	1			
10		ZZ70002M	TUBE, BREATHER	1			
11		B155B06X085	BOLT, STUD	2			
12		B800A06X008	BOLT, FLANGE	1			

(H) AIR CLEANER GROUP



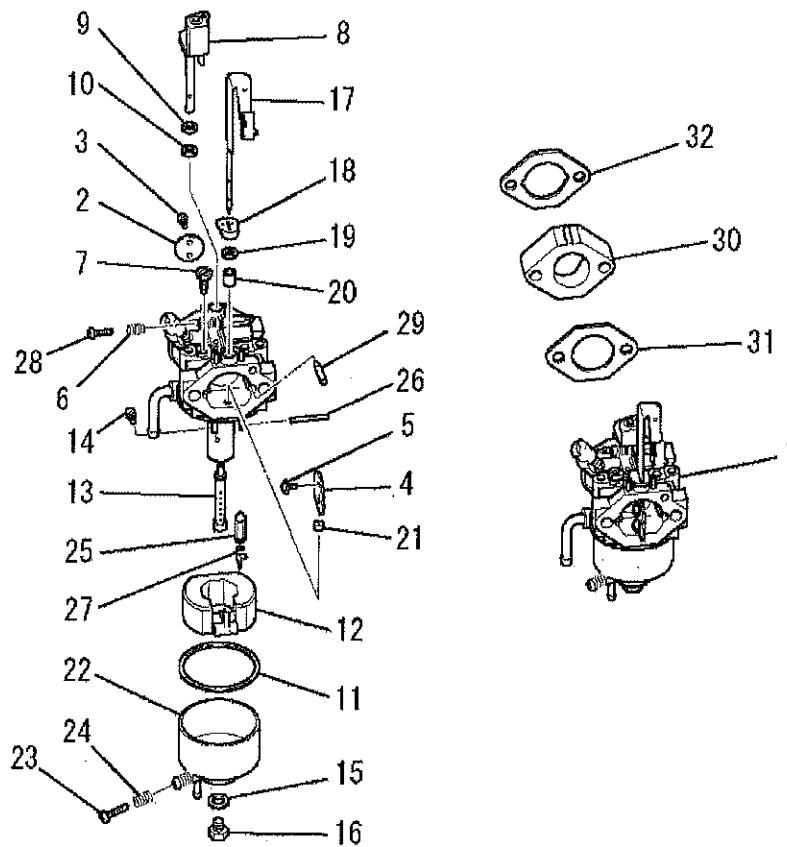
No.	R/N	Parts No.	Parts Name	No. Req'd	Inte	Remarks	Serial No. (From~To)
13		B805B06X012	BOLT, FLANGE	1			
14		N801A06	NUT, FLANGE	2			
15		KW34005AA	GASKET, CARBURETOR	1			

(I) CARBURETOR GROUP



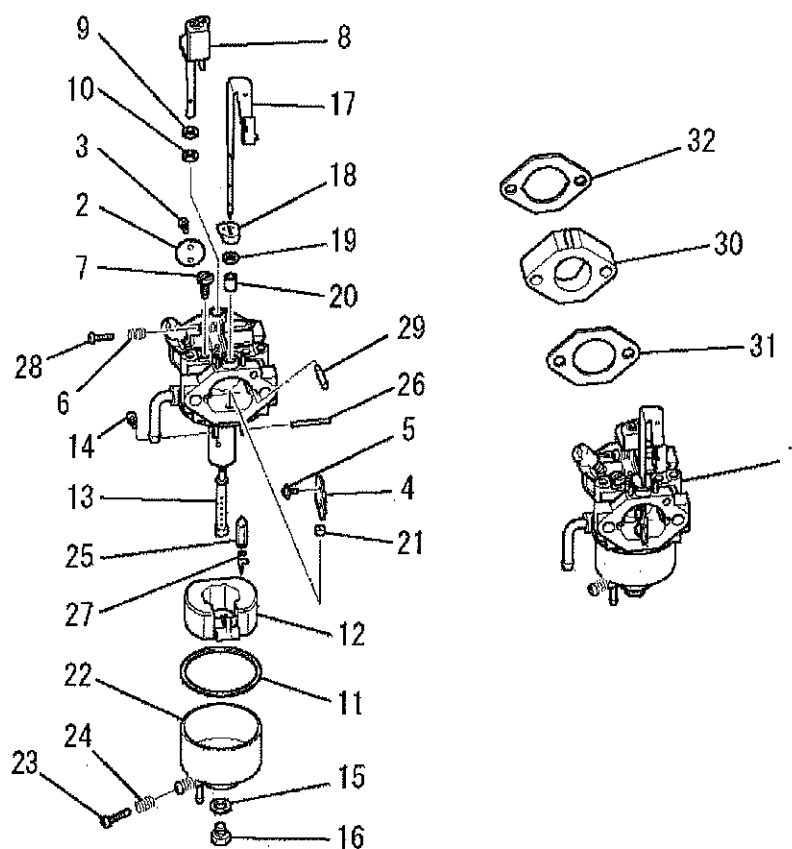
No.	R/N	Parts No.	Parts Name	No. Req'd	Inte	Remarks	Serial No. (From~To)
1		KK15015AB	CARBURETOR (F)	1		INCL. NO. 2-29	
2		KK15001AA002	VALVE, THROTTLE	1			
3		KK15016AA003	SCREW	2			
4		KK15001AA004	VALVE, CHOKE	1			
5		KK15016AA005	SCREW	2			
6		KK13003AA008	SPRING	1			
7		KK13002AA006	JET, PILOT	1			
8		KK15008XY011	SHAFT, THROTTLE	1			
9		KK12008AE015	PACKING	1			
10		KK12008AE016	SEAL	1			
11		KK15003AE014	PACKING	1			
12		KK15003AE015	FLOAT	1			

(I) CARBURETOR GROUP



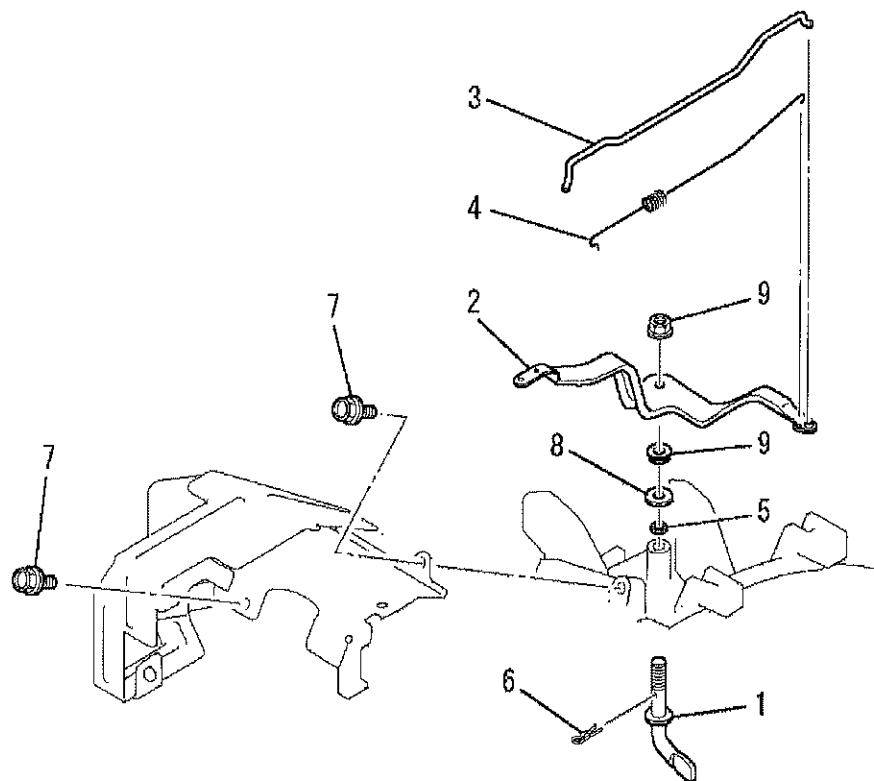
No.	R/N	Parts No.	Parts Name	No. Req'd	Inte	Remarks	Serial No. (From~To)
13		KK74524BH055	NOZZLE, MAIN	1			
14		KK74525BA013	JET, MAIN	1			
15		FA27080XX013	GASKET	1			
16		KK15003AE019	BOLT	1			
17		KK15012AB020	LEVER, CHOKE	1			
18		KK12008AE018	RING	1			
19		KK12008AE019	SEAL	1			
20		KK12008AE020	RING	1			
21		KK15001AA014	RING	1			
22		KK15005DA025	CHAMBER, FLOAT	1		INCL. NO. 23, 24	
23		KK15001AA018	SCREW	1			
24		KK13003AA008	SPRING	1			

(I) CARBURETOR GROUP



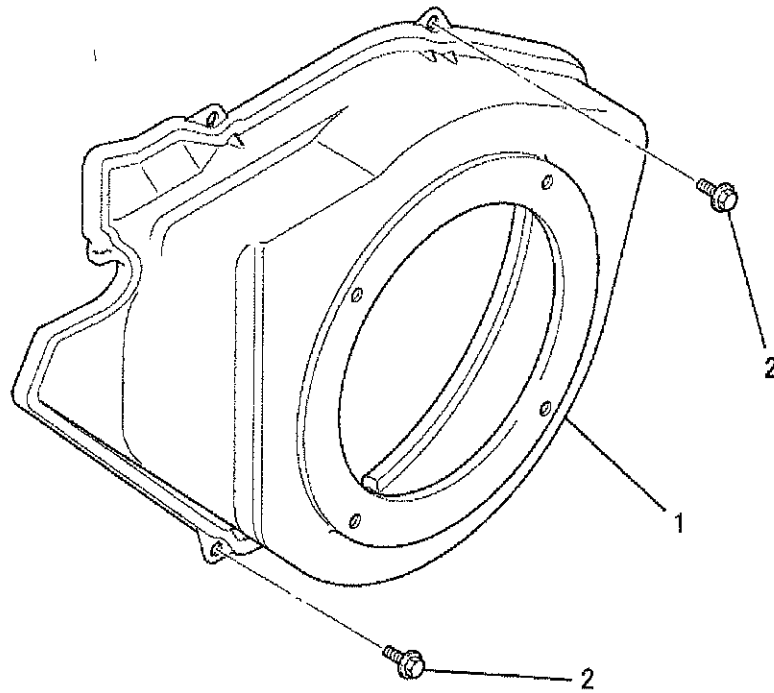
No.	R/N	Parts No.	Parts Name	No. Req'd	Inte	Remarks	Serial No. (From~To)
25		KK15003AE026	VALVE, NEEDLE	1			
26		KK15001AA016	PIN	1			
27		KK12008AE011	CLIP	1			
28		KK12008AE009	SCREW	1			
29		KK15001AA026	JET	1			
30		KK33007AA	INSULATOR	1			
31		KW34001AA	GASKET, CARBURETOR	1			
32		KW34005AA	GASKET, CARBURETOR	1			

(J) CONTROL PANEL GROUP



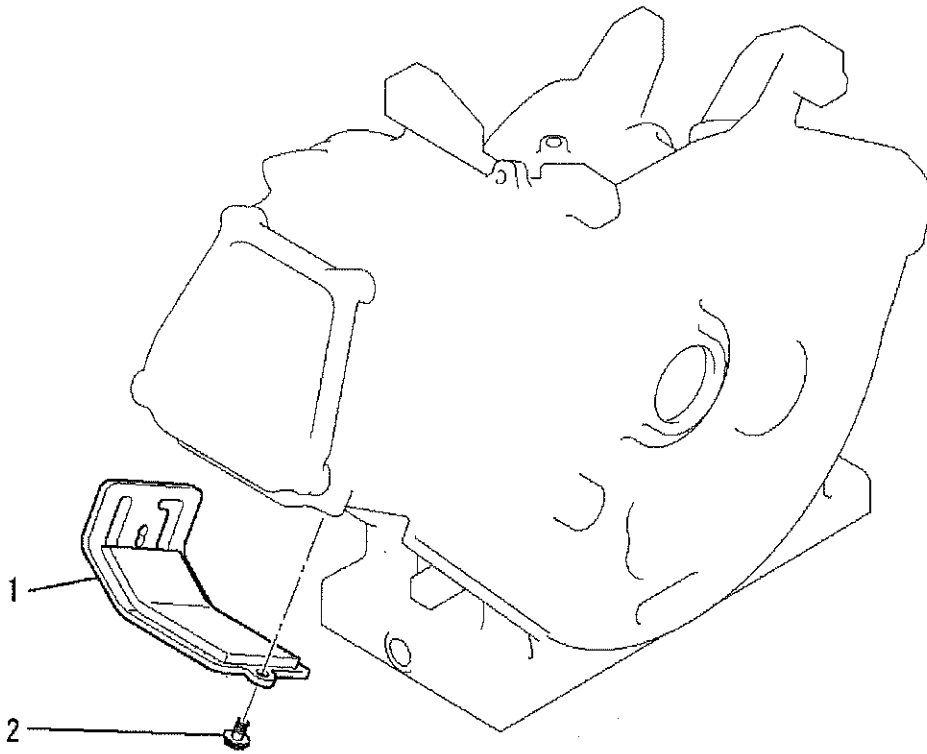
No.	R/N	Parts No.	Parts Name	No. Req'd	Inte	Remarks	Serial No. (From~To)
1		KG22006AA	SHAFT, GOV	1			
2		KG31014AA	LEVER, GOV	1			
3		KG41015AA	ROD, GOV	1			
4		KG42011AA	SPRING, ROD	1			
5		KG90016AA	SEAL, DUST	1			
6		KU70006AA	CLIP	1			
7		B805B06X012	BOLT, FLANGE	2			
8		KG90015AA	WASHER	1			
9		KU24002AA	NUT	2			

(K) FAN COVER GROUP



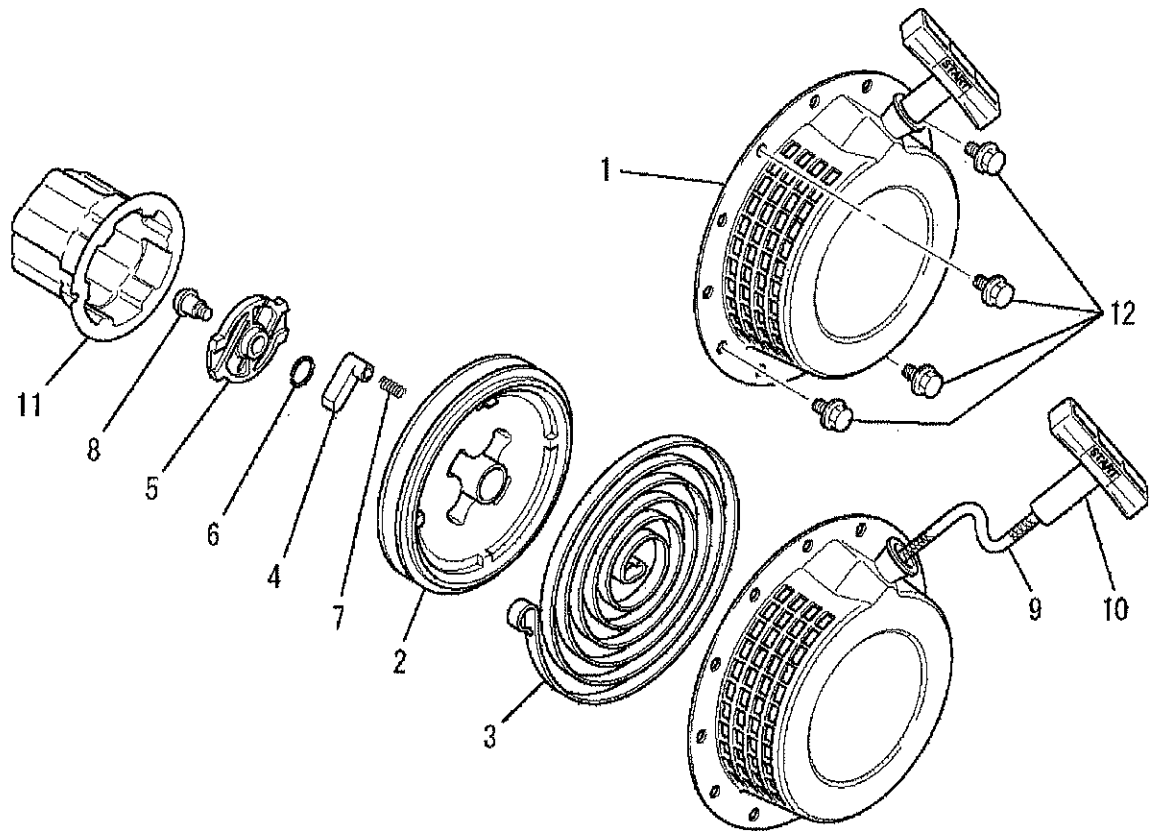
No.	R/N	Parts No.	Parts Name	No. Req'd	Inte	Remarks	Serial No. (From~To)
1		KH28011AH	COVER, FAN	1			
2		B805B06X012	BOLT, FLANGE	4			

(L) CYLINDER COVER GROUP



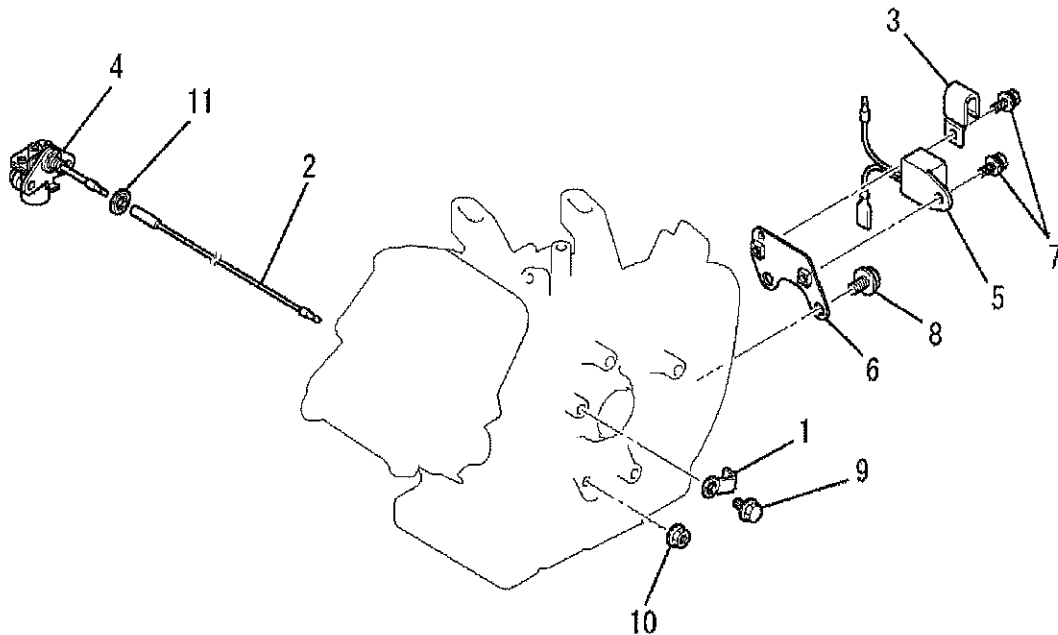
No.	R/N	Parts No.	Parts Name	No. Req'd	Inte	Remarks	Serial No. (From~To)
1		KH40089AA	COVER, CYLINDER	1			
2		B805B06X012	BOLT, FLANGE	2			

(R) RECOIL STARTER GROUP



No.	R/N	Parts No.	Parts Name	No. Req'd	Inte	Remarks	Serial No. (From~To)
1		KS02039AD	RECOIL STARTER ASSY	1		INCL. NO. 2-11	
2		KS20060AD002	REEL	1			
3		KS20060AD003	SPRING, SPIRAL	1			
4		KS20060AD004	RATCHET	2			
5		KS20061AD005	GUIDE	1			
6		KS20060AD006	SPRING, FRICTION	1			
7		KS20020AD007	SPRING, RETURN	2			
8		KS20020AD008	SCREW	1			
9		KS20035AD013	ROPE, STARTER	1			
10		KS20060AD014	NOB, STARTER	1			
11		KS30020AA	PULLEY, STARTER	1			
12		B800A06X008	BOLT, FLANGE	4			

(W) OIL SENSOR GROUP



No.	R/N	Parts No.	Parts Name	No. Req'd	Inte	Remarks	Serial No. (From~To)
1		FA41303	CLAMP	1			
2		FR63858D	WIRE, LEAD	1			
3		FR64917	CLAMP	1			
4		KE09021AA	SENSOR, OIL	1			
5		KE34001BA	UNIT	1			
6		KE90168AA	BRACKET, UNIT	1			
7		B070A05X010	BOLT&WASHER	2			
8		B800A08X016	BOLT, FLANGE	2			
9		B805B06X012	BOLT, FLANGE	1			
10		ZZ70028C	NUT, CONICAL SPG	1			
11		KW39066AA	GASKET	1			