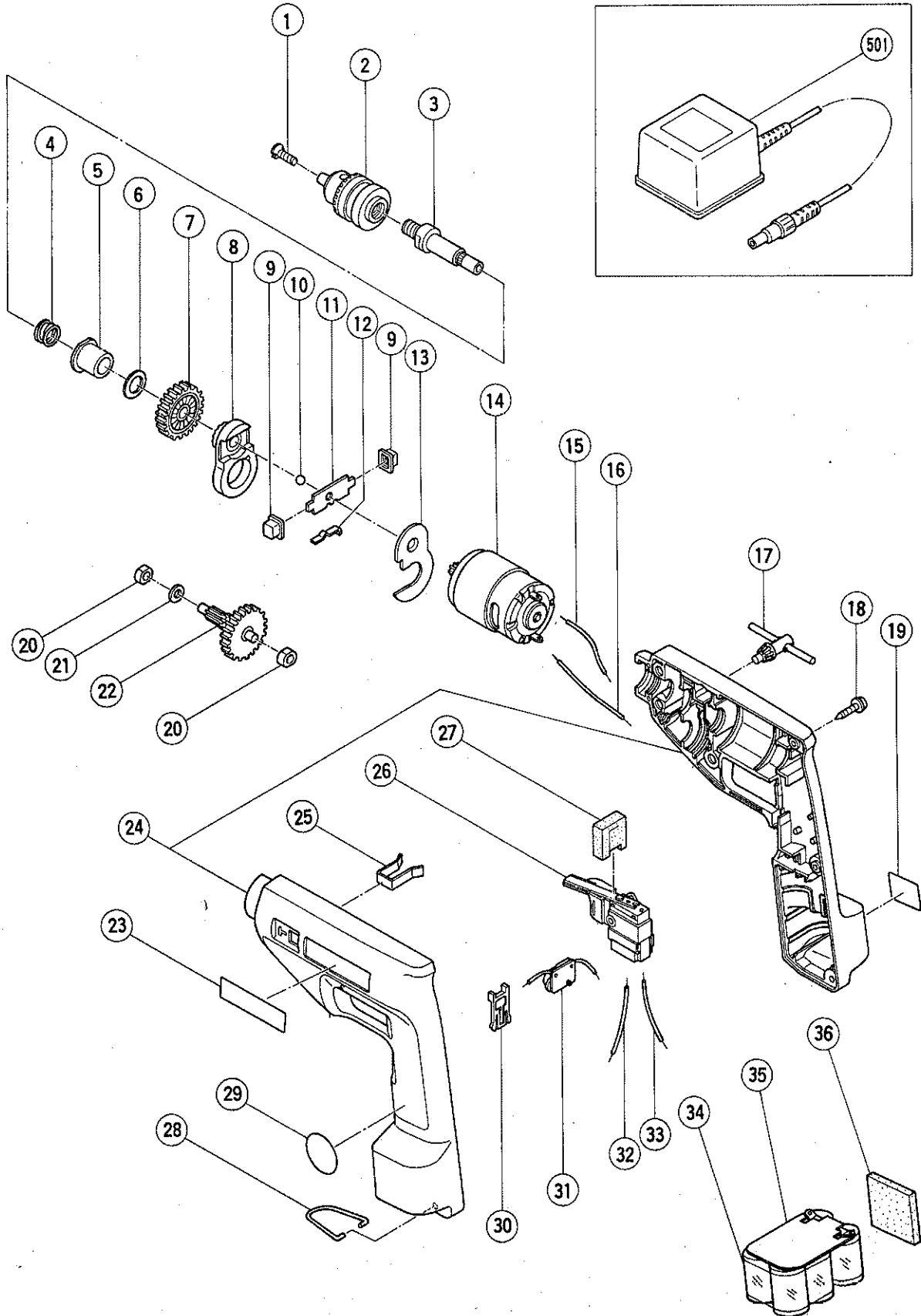


ELECTRIC TOOL PARTS LIST

CORDLESS IMPACT DRILL
Model FDV10D

1986·11·20
FDV10D(E1)



PARTS

FDV10D(E1)

Item No.	Code No.	Part Name	Q'ty	Remarks
1	992077	⊖ Flat Hd. Screw (Left Hand) M5 x 16	1	
2	950282	Drill Chuck 10TLRA	1	incoud. 17
3	997746	Spindle	1	
4	987071	Spring	1	
5	987072	Metal	1	
6	981124	Washer	1	
7	997747	Final Gear	1	
8	987074	Holder	1	
9	997748	Change Knob	2	
10	959149	Steel Ball D4.76	1	(10 pcs.)
11	997749	Change Plate	1	
12	963226	Spring (A)	1	
13	987075	Plate	1	
14	997740	Motor	1	
15	980831	Internal Wire (B) 90L	1	
16	980832	Internal Wire (B) 40L	1	
17	980057	Chuck Wrench 10TL2	1	
18	930446	Tapping Screw D4 x 16	6	W/Washer
19	—	Caution Plate	1	
20	980556	Metal	2	
21	949425	Washer	1	for M6 (10 pcs.)
22	997745	Second Pinion	1	
23	—	Name Plate	1	
24	997751	Housing	1	
25	994671	Key Holder	1	
26	995426	Switch	1	
27	980834	Seal	1	
28	980838	Hook	1	
29	994666	Mark Plate	1	
30	980833	Switch Lock	1	
31	997741	Charging Connector	1	
32	997743	Internal Wire	1	Color: Black
33	997742	Internal Wire	1	Color: Red
34	994660	Battery	1	
35	997744	Plate	1	
36	997750	Cushion	1	

STANDARD ACCESSORIES

Item No.	Code No.	Part Name	Q'ty	Remarks
501	—	Charger (Model UC7SA)	1	Depending on Order Spec.