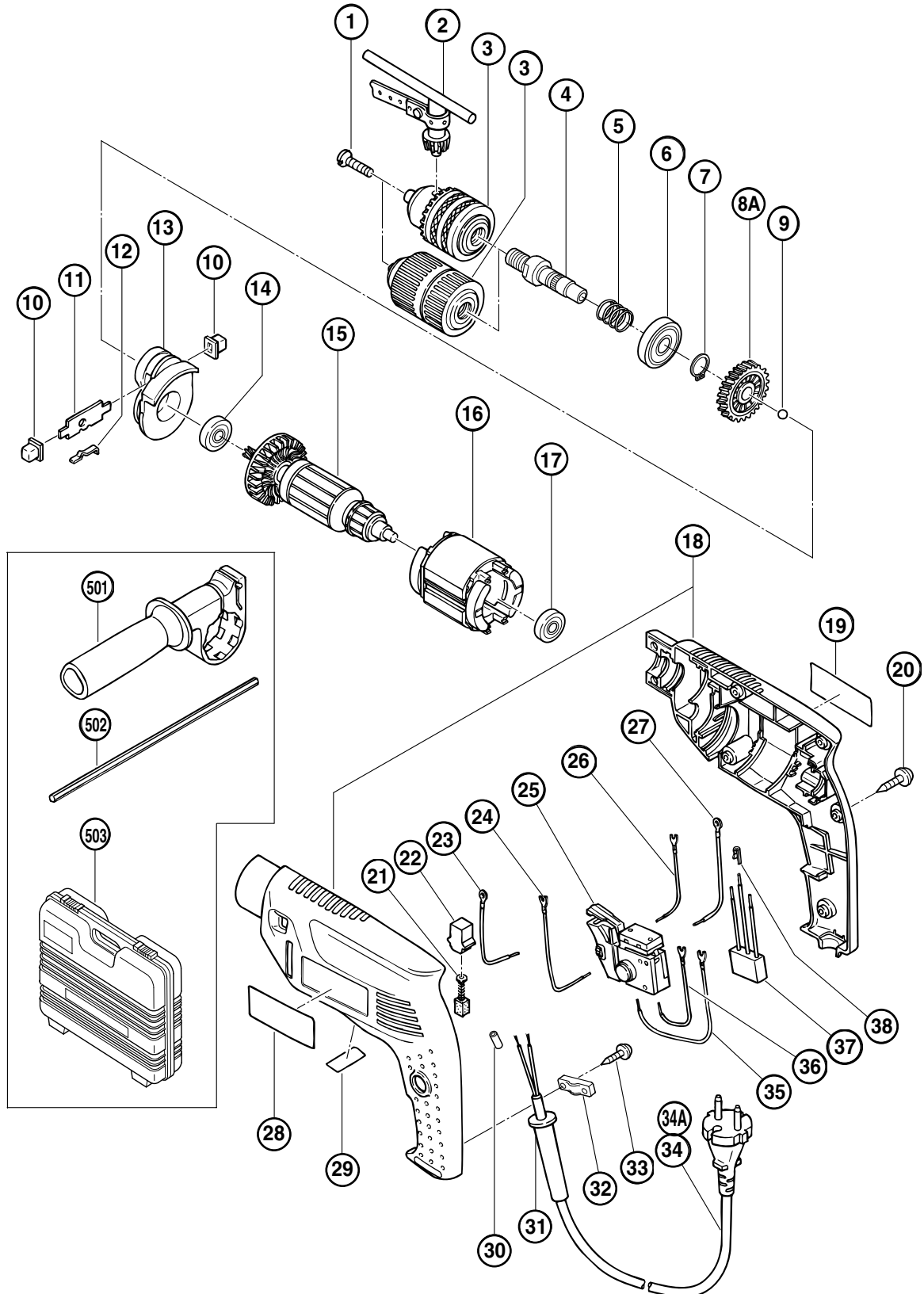


ELECTRIC TOOL PARTS LIST

■ IMPACT DRILL Model FDV 16VB

2001·9·3
(E3)



PARTS

FDV 16VB

ITEM NO.	CODE NO.	DESCRIPTION	NO. USED	REMARKS
1	995-344	FLAT HD. SCREW (A) (LEFT HAND) M6X25	1	
* 2	987-576	CHUCK WRENCH FOR 13VLB-D,13VLR-D	1	
* 3		DRILL CHUCK 13VLRB-D	1	INCLUD.2
* 3	315-966	DRILL CHUCK 13VLR-N (W/O CHUCK WRENCH)	1	
4	316-093	SPINDLE	1	
5	303-651	SPRING	1	
6	620-1VV	BALL BEARING 6201VVCMP2L	1	
7	939-542	RETAINING RING FOR D12 SHAFT (10 PCS.)	1	
8A	317-482	GEAR	1	
9	959-149	STEEL BALL D4.76 (10 PCS.)	1	
10	963-225	CHANGE KNOB	2	
11	963-224	CHANGE PLATE	1	
12	963-226	SPRING (A)	1	
13	316-094	HOLDER	1	
14	608-VVM	BALL BEARING 608VVC2PS2L	1	
* 15	360-327U	ARMATURE ASS'Y 110V-115V	1	INCLUD.14,17
* 15	360-207E	ARMATURE 220V-230V	1	
* 15	360-207F	ARMATURE 230V-240V	1	FOR AUS
* 16	340-221	STATOR 100V-115V	1	
* 16	340-222E	STATOR 220V	1	
* 16	340-222F	STATOR 230V-240V	1	
17	626-VVM	BALL BEARING 626VVC2PS2L	1	
* 18	316-097	HOUSING (A).(B) SET (MOSS GREEN)	1	
* 18	316-095	HOUSING (A).(B) SET (OFF BLACK GREEN)	1	
* 18	316-105	HOUSING (A).(B) SET (GREEN)	1	
19		NAME PLATE	1	
20	302-086	TAPPING SCREW (W/FLANGE) D4X20 (BLACK)	7	
21	999-041	CARBON BRUSH (1 PAIR)	2	
* 22	930-483	BRUSH HOLDER	2	
* 22	955-203	BRUSH HOLDER	2	FOR USA
* 23	303-660	INTERNAL WIRE (A)	1	
* 23	307-135	INTERNAL WIRE (BROWN) 60L	1	FOR USA
* 23	303-665	CHOKE COIL	1	FOR AUS,GBR (230V),ITA,FRG,FRA,BEL,HOL, FIN,AUT,NOR,ESP,SUI,CHN,KOR,NZL,SAF,OMA
24	303-657	INTERNAL WIRE (D)	1	
* 25	303-653	SWITCH (L) (2P PILLAR TYPE) W/LOCK	1	FOR 110V-115V
* 25	303-663	SWITCH (M) (2P PILLAR TYPE) W/LOCK	1	FOR 220V-240V
26	303-656	INTERNAL WIRE (C) (BLACK)	1	
* 27	303-661	INTERNAL WIRE (B)	1	
* 27	307-136	INTERNAL WIRE (BLUE) 120L	1	FOR USA
* 27	303-666	CHOKE COIL	1	FOR AUS,GBR (230V),ITA,FRG,FRA,BEL,HOL, FIN,AUT,NOR,ESP,SUI,CHN,KOR,NZL,SAF,OMA
28		HITACHI LABEL	1	
29		LABEL	1	
* 30	981-373	TUBE (D)	2	FOR CORD
* 31	307-217	CORD ARMOR D7.2	1	
* 31	303-662	CORD ARMOR D8.8	1	
* 31	980-193	CORD ARMOR D10.2	1	
* 32	960-266	CORD CLIP	1	
* 33	305-812	TAPPING SCREW (W/FLANGE) D4X16 (BLACK)	2	
* 34	303-667	CORD	1	

