

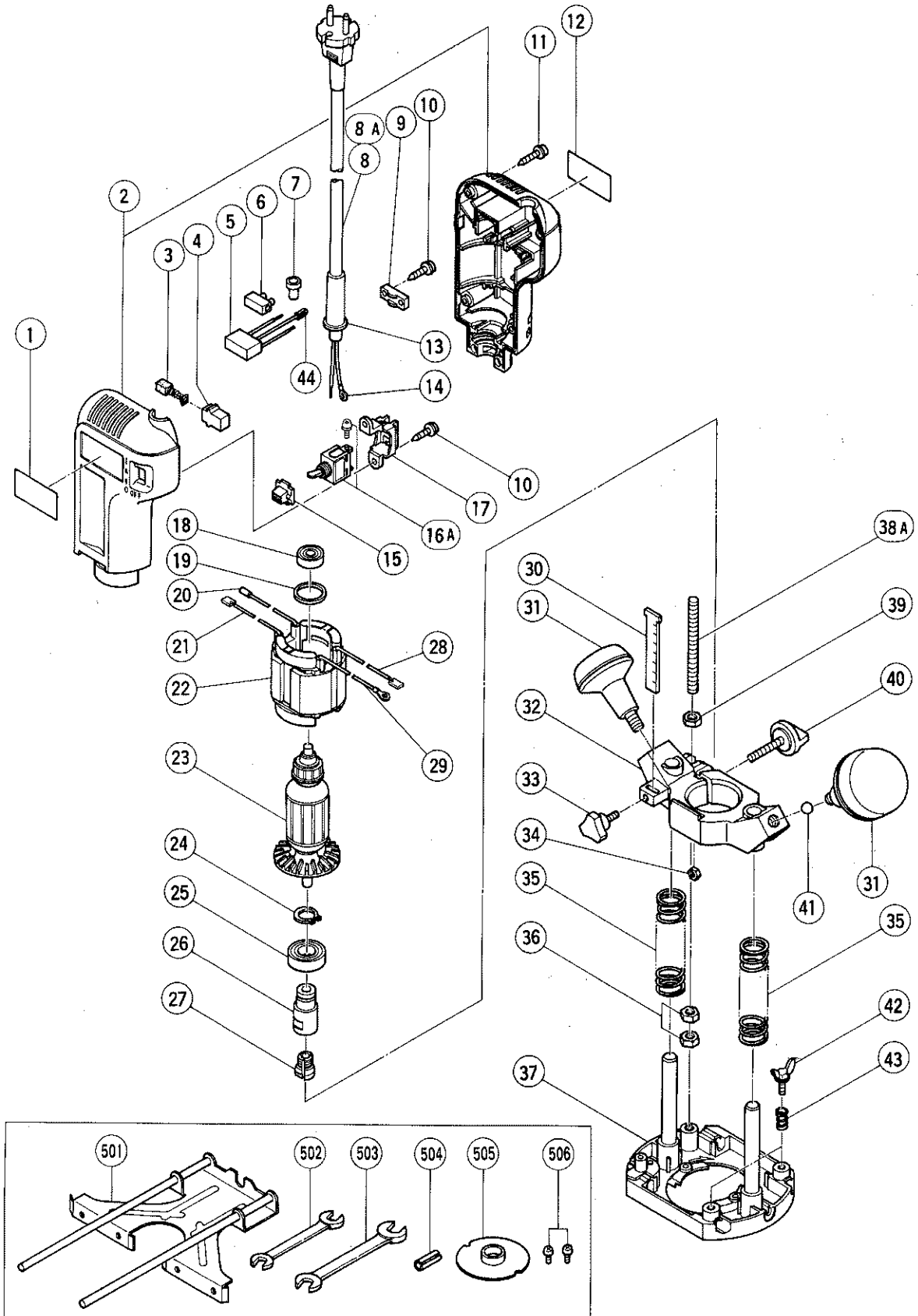
HITACHI

LIST NO. E820

ELECTRIC TOOL PARTS LIST

■ ROUTER
Model FM 8

1994 · 3 · 3
(E3)



PARTS

ITEM NO.	CODE NO.	DESCRIPTION	NO. USED	REMARKS
1	997-519	HITACHI LABEL	1	
* 2	997-527	HOUSING (MOSS GREEN)	1	
3	999-041	CARBON BRUSH (1 PAIR)	2	
4	955-203	BRUSH HOLDER	2	
* 5	994-273	NOISE SUPPRESSOR	1	
* 6	938-307Z	PILLAR TERMINAL	1	FOR AUS,EUROPE
* 7	959-140	CONNECTOR 50091 (10 PCS.)	1	
* 8	500-223Z	CORD	1	(CORD ARMOR D10.2)
* 8	500-226Z	CORD	1	(CORD ARMOR D8.2) FOR NZL,FRG,AUS
* 8	500-232Z	CORD	1	(CORD ARMOR D8.2) FOR SAF
* 8	500-240Z	CORD	1	(CORD ARMOR D8.2) FOR CAN
* 8	500-245Z	CORD	1	(CORD ARMOR D10.2)
* 8	500-395Z	CORD	1	(CORD ARMOR D8.2) FOR SUI
* 8	500-409Z	CORD	1	(CORD ARMOR D8.2) FOR ITA,FRG,FRA,HOL, FIN,AUT,SWE,NOR
* 8A	500-436Z	CORD	1	(CORD ARMOR D8.2) FOR GBR (240V)
* 8A	930-051	CORD	1	(CORD ARMOR D10.2) FOR TPE,THA
9	960-266	CORD CLIP	1	
* 10	984-750	TAPPING SCREW (W/FLANGE) D4X16	1	
* 10	984-750	TAPPING SCREW (W/FLANGE) D4X16	2	FOR EUROPE,NZL,AUS,SAF,TPE,THA
11	982-095	TAPPING SCREW (W/WASHER) D4X20	6	
12		NAME PLATE	1	
* 13	930-487	CORD ARMOR D8.2	1	
* 13	930-026	CORD ARMOR D10.2	1	
* 13	980-193	CORD ARMOR D10.2	1	FOR TPE,THA
* 14	960-356	TERMINAL (A) M3.5 (10 PCS.)	1	FOR CORD
15	997-523	SWITCH KNOB	1	
16A	955-509	SWITCH (1P SOLDER TYPE)	1	
17	997-521	SWITCH HOLDER	1	
18	608-VVM	BALL BEARING 608VVMC2EPS2L	1	
19	995-662	RUBBER RING	1	
* 20	997-533	INTERNAL WIRE	1	
* 20	997-537	INTERNAL WIRE	1	FOR CAN
* 21	997-531	INTERNAL WIRE (A)	1	
* 21	997-535	INTERNAL WIRE (A)	1	FOR CAN
* 22	340-118C	STATOR 110V - 127V	1	
* 22	340-118E	STATOR 220V - 230V	1	
* 22	340-118F	STATOR 230V - 240V	1	FOR SRI,SIN,KUW,NGU,NZL,AUS,GBR,SAF
* 23	360-083C	ARMATURE 110V - 127V	1	
* 23	360-083E	ARMATURE 220V - 230V	1	
* 23	360-083F	ARMATURE 230V - 240V	1	FOR SRI,SIN,KUW,NGU,NZL,AUS,GBR,SAF
24	839-544	RETAINING RING FOR D15 SHAFT (10 PCS.)	1	
25	600-2VV	BALL BEARING 6002VVCMP2S	1	
26	997-510	SPINDLE	1	
* 27	997-524	COLLET 6MM	1	
* 27	997-525	COLLET 6.35MM	1	FOR NZL,AUS,GBR,SUI,SAF
* 27	997-526	COLLET 8MM	1	FOR HOL,FRG,FIN
* 28	997-530	INTERNAL WIRE (A)	1	
* 28	997-534	INTERNAL WIRE (A)	1	FOR CAN
* 29	997-532	INTERNAL WIRE (A)	1	
* 29	997-536	INTERNAL WIRE	1	FOR CAN

*: ALTERNATIVE PARTS

STANDARD ACCESSORIES

FM 8

ITEM NO.	CODE NO.	DESCRIPTION	NO. USED	REMARKS
501	971-851	PARALLEL GUIDE	1	
502	935-289	WRENCH 10/13MM	1	
503	949-188	WRENCH 13/17MM	1	
* 504	971-854	CHUCK SLEEVE 8X8.35	1	
* 504	971-852	CHUCK SLEEVE 8X8	1	FOR HOL,FIN
505	956-790	TEMPLATE GUIDE D18	1	
508	949-234	MACHINE SCREW M5X8 (10 PCS.)	2	

OPTIONAL ACCESSORIES

ITEM NO.	CODE NO.	DESCRIPTION	NO. USED	REMARKS
601	997-524	COLLET 6MM	1	
602	997-525	COLLET 6.35MM	1	
603	997-528	COLLET 8MM	1	
604	971-852	CHUCK SLEEVE 8X8	1	
605	971-854	CHUCK SLEEVE 8X8.35	1	
606	956-790	TEMPLATE GUIDE D18	1	
607	956-933	TEMPLATE GUIDE D27	1	
608	956-934	TEMPLATE GUIDE D30	1	
609	997-486	DUST COLLECTION ADAPTER SET	1	INCLUD.610,611
610	997-487	KNOB NUT	2	
611	949-237	MACHINE SCREW M5X12 (10 PCS.)	2	

*: ALTERNATIVE PARTS