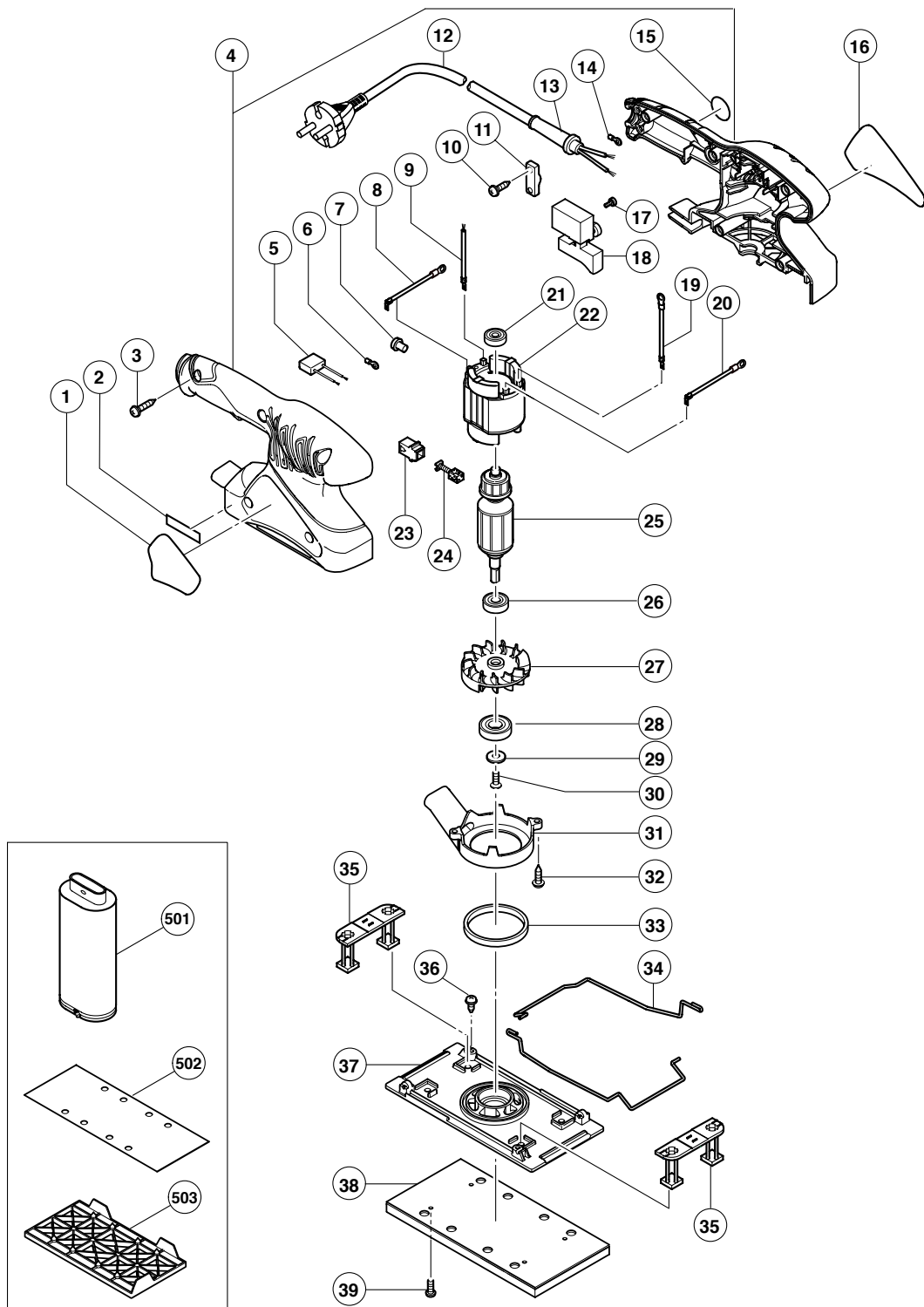


ELECTRIC TOOL PARTS LIST

■ ORBITAL SANDER
Model FSV 10SA

2005 · 5 · 20
(E1)



PARTS

FSV 10SA

ITEM NO.	CODE NO.	DESCRIPTION	NO. USED	REMARKS
1		NAME PLATE	1	
* 2		LABEL	1	FOR KUW
3	301-653	TAPPING SCREW (W/FLANGE) D4X20 (BLACK)	5	
* 4	324-516	HOUSING (A).(B) SET	1	
* 4	324-559	HOUSING (A).(B) SET	1	FOR GBR, EUROPE, AUT
* 5	930-039	NOISE SUPPRESSOR	1	FOR NZL, AUS, CHN, KOR, GBR, EUROPE, AUT
* 6	980-063	TERMINAL	1	FOR NOISE SUPPRESSOR
* 7	959-140	CONNECTOR 50091 (10 PCS.)	1	EXCEPT FOR SIN, KUW, CHN, KOR
8	323-321	INTERNAL WIRE (BLACK)	1	
* 9	318-203	INTERNAL WIRE (GRAY)	1	
* 9	324-515	INTERNAL WIRE (GRAY)	1	FOR SIN, KUW, CHN, KOR
* 10	984-750	TAPPING SCREW (W/FLANGE) D4X16	2	EXCEPT FOR THA
* 11	960-266	CORD CLIP	1	EXCEPT FOR THA
* 12	500-245Z	CORD	1	(CORD ARMOR D10.2)
* 12	500-423Z	CORD	1	(CORD ARMOR D8.2) FOR SIN, KUW
* 12	500-409Z	CORD	1	(CORD ARMOR D8.2) FOR INA, IND, EUROPE, AUT
* 12	500-201Z	CORD	1	FOR VEN,THA
* 12	500-439Z	CORD	1	(CORD ARMOR D8.2) FOR NZL, AUS
* 12	500-435Z	CORD	1	(CORD ARMOR D8.2) FOR HKG, GBR
* 12	500-468Z	CORD	1	(CORD ARMOR D8.2) FOR CHN
* 12	500-234Z	CORD	1	(CORD ARMOR D8.2) FOR KOR
* 13	930-487	CORD ARMOR D8.2	1	
* 13	930-026	CORD ARMOR D10.2	1	
* 14	980-063	TERMINAL	1	FOR CORD
* 14	960-356	TERMINAL (A) M3.5 (10 PCS.)	1	FOR CORD
* 15		SEAL	1	FOR CHN
16		HITACHI LABEL	1	
* 17	307-887	MACHINE SCREW (W/WASHER) M3.5X6	2	
* 17	307-887	MACHINE SCREW (W/WASHER) M3.5X6	4	FOR SIN, KUW, CHN, KOR, GBR, EUROPE, AUT
18	323-324	SWITCH (1P SCREW TYPE) W/LOCK	1	
19	323-322	INTERNAL WIRE (BLACK)	1	
20	323-323	INTERNAL WIRE (GRAY)	1	
21	626-VVM	BALL BEARING 626VVC2PS2L	1	
* 22	987-044C	STATOR 110V	1	
* 22	987-044E	STATOR 220V-230V	1	
* 22	987-044F	STATOR 230V-240V	1	FOR KUW, AUS
23	930-483	BRUSH HOLDER	2	
24	999-041	CARBON BRUSH (1 PAIR)	2	
* 25	360-681C	ARMATURE 110V	1	
* 25	360-681E	ARMATURE 220V-230V	1	
* 25	360-681F	ARMATURE 240V	1	
26	608-VVM	BALL BEARING 608VVC2PS2L	1	
27	323-316	BALANCE FAN	1	
28	600-1VV	BALL BEARING 6001VVCMP2L	1	
29	987-169	WASHER	1	
30	993-244	SEAL LOCK FLAT HD. SCREW M4X12	1	
31	323-317	FAN GUIDE	1	
32	984-750	TAPPING SCREW (W/FLANGE) D4X16	2	
33	311-946	FELT	1	
34	323-319	PAPER HOLDER	2	
35	322-756	LEG	2	

STANDARD ACCESSORIES

ITEM NO.	CODE NO.	DESCRIPTION	NO. USED	REMARKS	
501	310-339	DUST BAG	1		
* 502	323-363	SANDING PAPERS 93X228 G60 (10 PCS.)	2	EXCEPT FOR AUS, KOR	
* 502	323-364	SANDING PAPERS 93X228 G100 (10 PCS.)	2	EXCEPT FOR AUS, KOR	
* 502	323-365	SANDING PAPERS 93X228 G150 (10 PCS.)	2	EXCEPT FOR AUS, KOR	
* 502	323-367	SANDING PAPERS 94X184 G100 (10 PCS.)	1	FOR AUS, KOR	
503	323-326	PUNCH PLATE	1		

OPTIONAL ACCESSORIES

ITEM NO.	CODE NO.	DESCRIPTION	NO. USED	REMARKS	
601	323-366	SANDING PAPERS 94X184 G60 (10 PCS.)	1		
602	323-368	SANDING PAPERS 94X184 G150 (10 PCS.)	1		