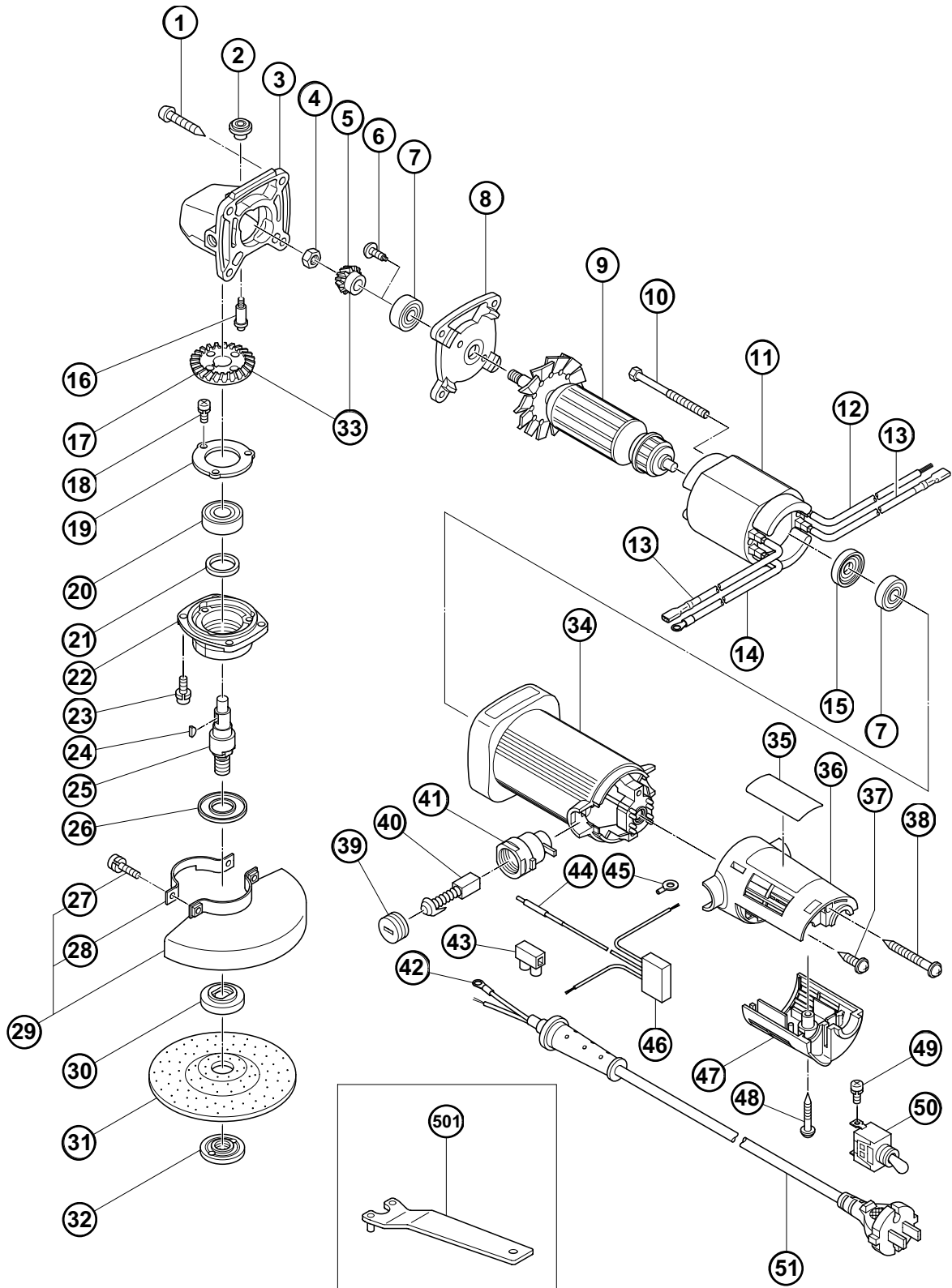


## ELECTRIC TOOL PARTS LIST

■ DISC GRINDER  
Model G 10SF3

2001.8.10  
(E1)



**PARTS**

G 10SF3

ITEM NO.	CODE NO.	DESCRIPTION	NO. USED	REMARKS
1	937-807	TAPPING SCREW D5X25	4	
2	301-944	PUSHING BUTTON	1	
3	303-078	GEAR COVER ASS'Y	1	INCLUD.2,16
4	301-941	SPECIAL NUT M7	1	
5	301-939	PINION	1	
6	301-936	SLOTTED HD. SCREW (SEAL LOCK) M4X10	2	
7	608-VVM	BALL BEARING 608VVC2PS2L	2	
8	301-935	INNER COVER	1	
9	360-464E	ARMATURE 220V	1	
10	963-712	HEX. HD. TAPPING SCREW D4X65	2	
11	340-428E	STATOR 220V	1	
12	320-273	INTERNAL WIRE 70L	1	
13	320-274	INTERNAL WIRE 85L	2	
14	320-275	INTERNAL WIRE 60L	1	
15	315-877	DUST SEAL	1	
16	301-943	LOCK PIN	1	
17	301-940	GEAR	1	
18	997-263	SEAL LOCK SCREW (W/SP. WASHER) M4X10	3	
19	938-058	BEARING COVER (B)	1	
20	600-1VV	BALL BEARING 6001VVCMP2L	1	
21	301-946	FELT PACKING	1	
22	301-947	PACKING GLAND	1	
23	307-127	SEAL LOCK SCREW (W/SP. WASHER) M4X12	4	
24	940-220	WOODRUFF KEY 2.5X8	1	
25	302-046	SPINDLE M10XP1.5	1	
26	301-945	FRINGER	1	
27	308-386	MACHINE SCREW (W/SP. WASHER) M5X16(BLACK)	2	
28	301-949	SET PLATE	1	
29	301-948	WHEEL GUARD ASS'Y	1	INCLUD.27,28
30	310-787	WHEEL WASHER	1	
31	316-820	D. C. WHEELS 100MMX4T A36Q (25 PCS.)	1	
32	314-437	WHEEL NUT (C)	1	
33	301-938	GEAR AND PINION ASS'Y	1	INCLUD.5,17
34	320-271	HOUSING	1	
35		NAME PLATE	1	
36	320-276	TAIL COVER (A)	1	
37	302-086	TAPPING SCREW (W/FLANGE) D4X20 (BLACK)	1	
38	306-664	TAPPING SCREW (W/FLANGE) D4X40	1	
39	936-551	BRUSH CAP	2	
40	999-021	CARBON BRUSH (1 PAIR)	2	
41	313-777	BRUSH HOLDER	2	
42	980-063	TERMINAL	1	FOR CORD
43	938-307	PILLAR TERMINAL	1	
44	314-854	EARTH TERMINAL	1	
45	980-063	TERMINAL	1	FOR NOISE SUPPRESSOR
46	994-273	NOISE SUPPRESSOR	1	
47	320-272	TAIL COVER (B)	1	
48	304-035	TAPPING SCREW (W/FLANGE) D4X25 (BLACK)	1	
49	305-499	MACHINE SCREW (W/WASHER) M3.5X6	2	
50	955-509	SWITCH (1P SCREW TYPE)	1	
* 51	315-879	CORD	1	



