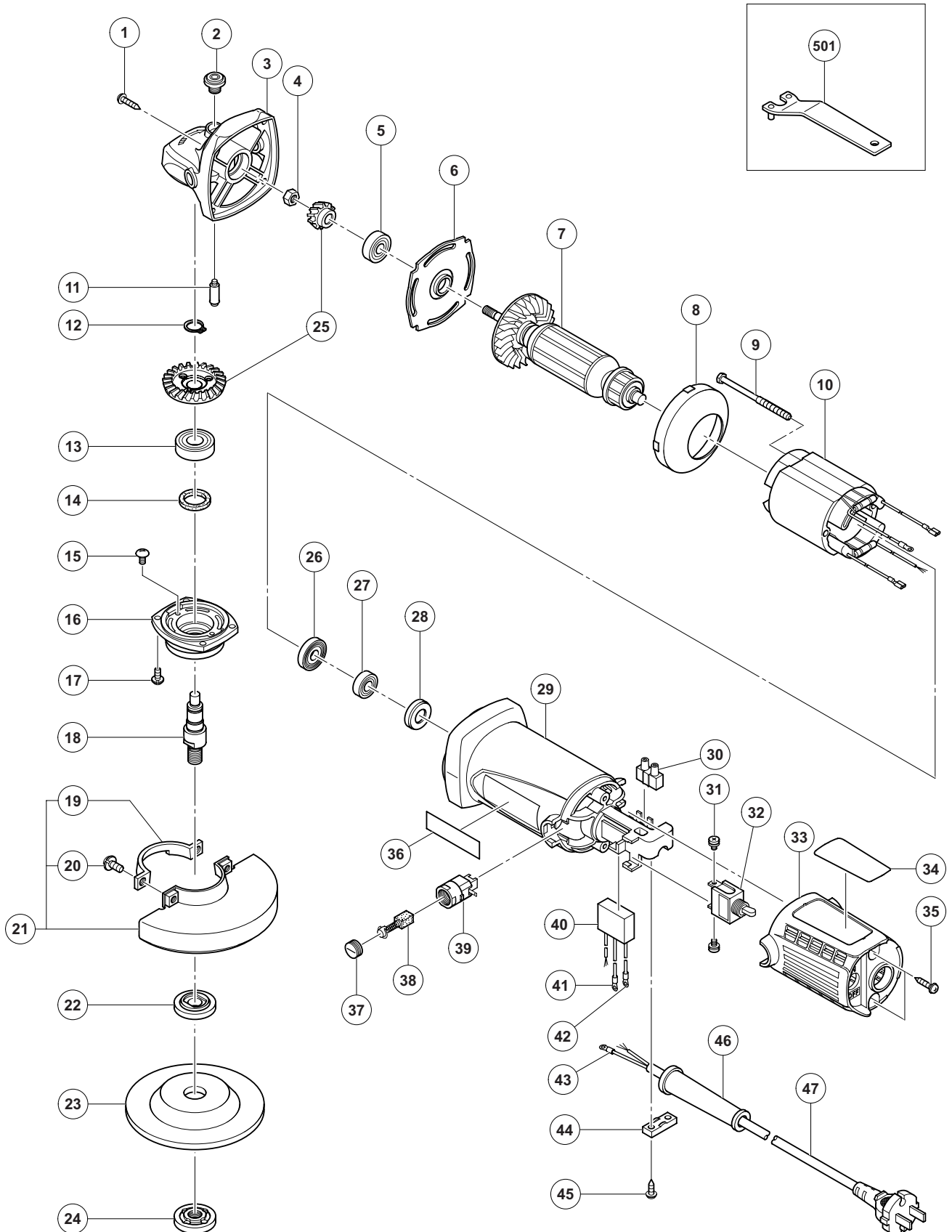


ELECTRIC TOOL PARTS LIST

DISC GRINDER Model G 10SF5

2012-9-6
(E1)



PARTS

G 10SF5

ITEM NO.	CODE NO.	DESCRIPTION	NO. USED	REMARKS
1	328-643	TAPPING SCREW (W/FLANGE) D4 X 23 (BLACK)	4	
2	301-944	PUSHING BUTTON	1	
3	334-937	GEAR COVER ASS'Y	1	INCLUD. 2, 11
4	309-191	SPECIAL NUT M6	1	
5	608-VVM	BALL BEARING 608VVC2PS2L	1	
6	334-940	BEARING HOLDER	1	
7	360-945E	ARMATURE 220 V	1	
8	334-939	FAN GUIDE	1	
9	982-021	HEX. HD. TAPPING SCREW D4 X 70	2	
10	340-843E	STATOR 220 V	1	
11	301-943	LOCK PIN	1	
12	316-487	RETAINING RING FOR D11 SHAFT	1	
13	600-1VV	BALL BEARING 6001VVCMP2L	1	
14	301-946	FELT PACKING	1	
15	334-942	SLOTTED HD. SCREW (SEAL LOCK) M4	2	
16	334-938	PACKING GLAND	1	
17	307-127	SEAL LOCK SCREW (W/SP. WASHER) M4 X 12	4	
18	334-941	SPINDLE (A)	1	
19	301-949	SET PLATE	1	
20	308-386	MACHINE SCREW (W/SP. WASHER) M5 X 16 (BLACK)	2	
21	331-076	WHEEL GUARD ASS'Y	1	INCLUD. 19, 20
22	320-497	WHEEL WASHER	1	
23	316-820	D. C. WHEELS 100 MM X 4T A36Q (25 PCS.)	1	
24	321-795	WHEEL NUT (C)	1	
25	328-178	GEAR AND PINION SET	1	
26	315-877	DUST SEAL	1	
27	698-VVC	BALL BEARING 698VVC2	1	
28	309-929	RUBBER BUSHING	1	
29	334-935	HOUSING	1	
30	938-307	PILLAR TERMINAL	1	
31	305-499	MACHINE SCREW (W/WASHER) M3.5 X 6	2	
32	314-603	SWITCH (1P SOLDER TYPE)	1	
33	334-936	TAIL COVER	1	
34		NAME PLATE	1	
35	305-812	TAPPING SCREW (W/FLANGE) D4 X 16 (BLACK)	2	
36		HITACHI LABEL	1	
37	936-551	BRUSH CAP	2	
38	999-021	CARBON BRUSH (1 PAIR)	2	
39	313-777	BRUSH HOLDER	2	
40	994-273	NOISE SUPPRESSOR	1	
41	938-108	TERMINAL	1	
42	980-063	TERMINAL	1	
43	980-063	TERMINAL	1	
44	937-631	CORD CLIP	1	
45	984-750	TAPPING SCREW (W/FLANGE) D4 X 16	2	
46	953-327	CORD ARMOR D8.8	1	
47	500-468Z	CORD	1	(CORD ARMOR D8.8)

