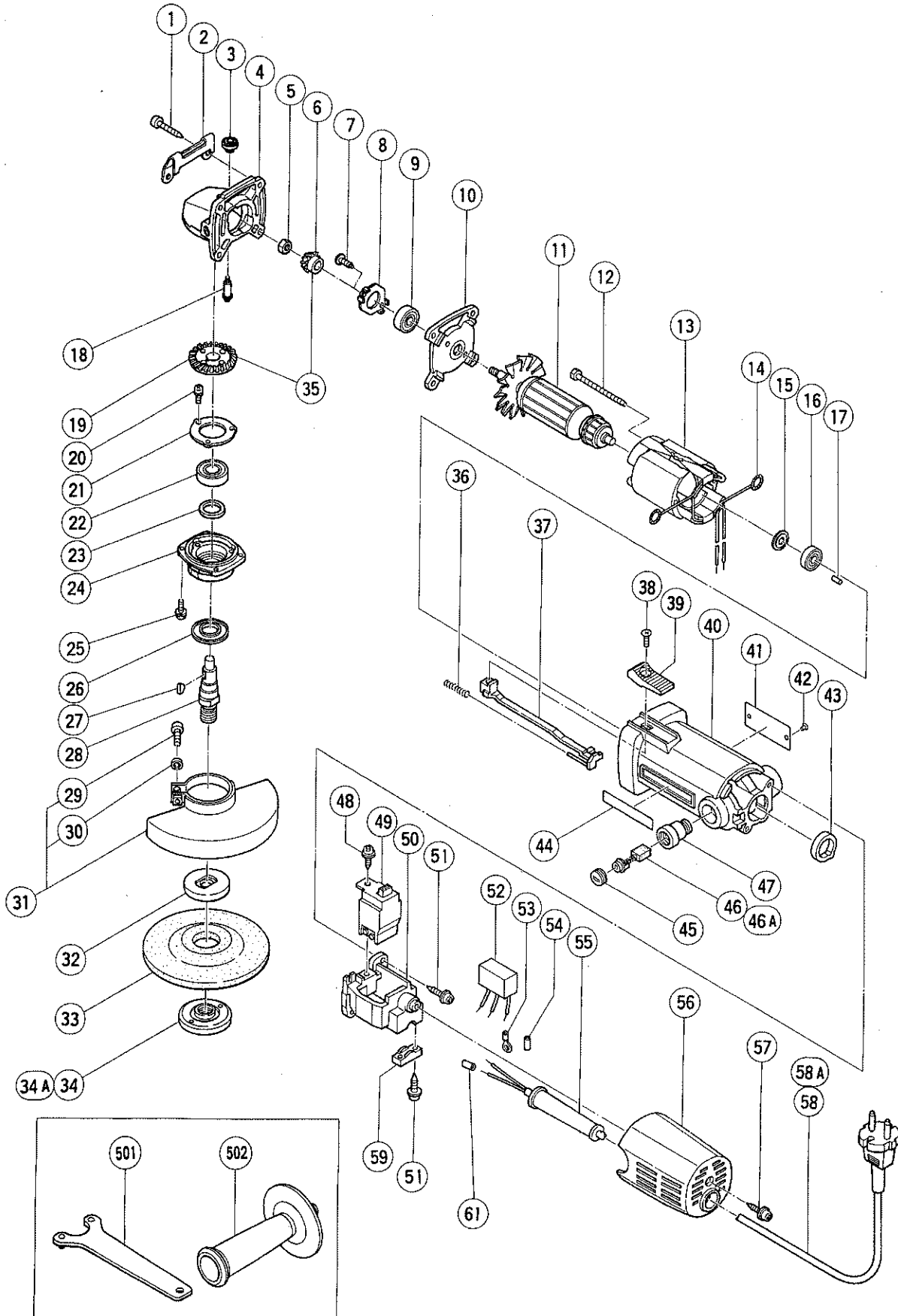


ELECTRIC TOOL PARTS LIST

■ DISC GRINDER
Model G 12S1

1993 · 4 · 2
(E3)



PARTS

G 12S1

ITEM NO.	CODE NO.	DESCRIPTION	NO. USED	REMARKS	
1	937-807	TAPPING SCREW D5X25	4		
2	302-149	GUARD PLATE	1		
3	301-944	PUSHING BUTTON	1		
4	302-097	GEAR COVER ASS'Y	1	INCLUD.3,18	
5	301-941	SPECIAL NUT M7	1		
6	301-939	PINION	1		
7	301-936	SLOTTED HD. SCREW (SEAL LOCK) M4X10	2		
8	301-937	BEARING COVER	1		
9	608-VVM	BALL BEARING 608VVMC2EPS2L	1		
10	301-935	INNER COVER	1		
*	11	360-163C	ARMATURE 110V - 115V	1	
*	11	360-163D	ARMATURE 120V - 127V	1	
*	11	360-163E	ARMATURE 220V - 230V	1	
*	11	360-163F	ARMATURE 230V - 240V	1	FOR SIN,KUW,SAU,AUS,GBR,SAF
12	982-021	HEX. HD. TAPPING SCREW D4X70	2		
*	13	340-187C	STATOR ASS'Y 110V - 115V	1	INCLUD.14
*	13	340-187D	STATOR ASS'Y 120V - 127V	1	INCLUD.14
*	13	340-187E	STATOR ASS'Y 220V	1	INCLUD.14
*	13	340-187F	STATOR ASS'Y 230V - 240V	1	INCLUD.14
*	13	340-187H	STATOR ASS'Y 220V - 230V	1	INCLUD.14 FOR ITA,FRG,FRA,HOL,DEN,FIN, SWE,AUT
*	13	340-187L	STATOR ASS'Y 220V	1	INCLUD.14 FOR NOR,SUI
*	13	340-187M	STATOR ASS'Y 230V - 240V	2	INCLUD.14 FOR SAF
*	13	340-187J	STATOR ASS'Y 230V - 240V	1	INCLUD.14 FOR GBR
*	13	340-187G	STATOR ASS'Y 110V	1	INCLUD.14 FOR GBR
*	13	340-187K	STATOR ASS'Y 115V	1	INCLUD.14 FOR USA,CAN
14	931-867	BRUSH TERMINAL	2		
15	980-865	WASHER (A)	1		
16	626-VVM	BALL BEARING 626VVMC2ERPS2S	1		
17	931-701	BEARING LOCK	1		
18	301-943	LOCK PIN	1		
19	301-940	GEAR	1		
20	987-201	SEAL LOCK SCREW (W/SP. WASHER) M4X10	3		
21	938-058	BEARING COVER (B)	1		
22	600-1VV	BALL BEARING 6001VVCMP2L	1		
23	301-946	FELT PACKING	1		
24	302-286	PACKING GLAND	1		
25	987-203	SEAL LOCK SCREW (W/SP. WASHER) M4X12	4		
26	301-945	FRINGER	1		
27	940-220	WOODRUFF KEY 2.5X8	1		
*	28	302-059	SPINDLE	1	
*	28	302-060	SPINDLE	1	FOR USA
29	949-241	MACHINE SCREW M5X20 (10 PCS.)	1		
30	949-454	SPRING WASHER M5 (10 PCS.)	1		
31	937-816Z	WHEEL GUARD (A) ASS'Y	1	INCLUD.29,30	
*	32	937-817Z	WHEEL WASHER	1	
*	32	937-922P	WHEEL WASHER (B) FOR D5/8" HOLE	1	FOR USA
*	33	937-819Z	D. C. WHEELS 115MM A36Q (10 PCS.)	1	EXCEPT FOR ITA
*	34	937-923P	WHEEL NUT 5/8" - 11UNC	1	FOR USA
*	34A	994-324	WHEEL NUT M14	1	
35	301-938	GEAR PINION ASS'Y	1	INCLUD.6,19	

*: ALTERNATIVE PARTS

