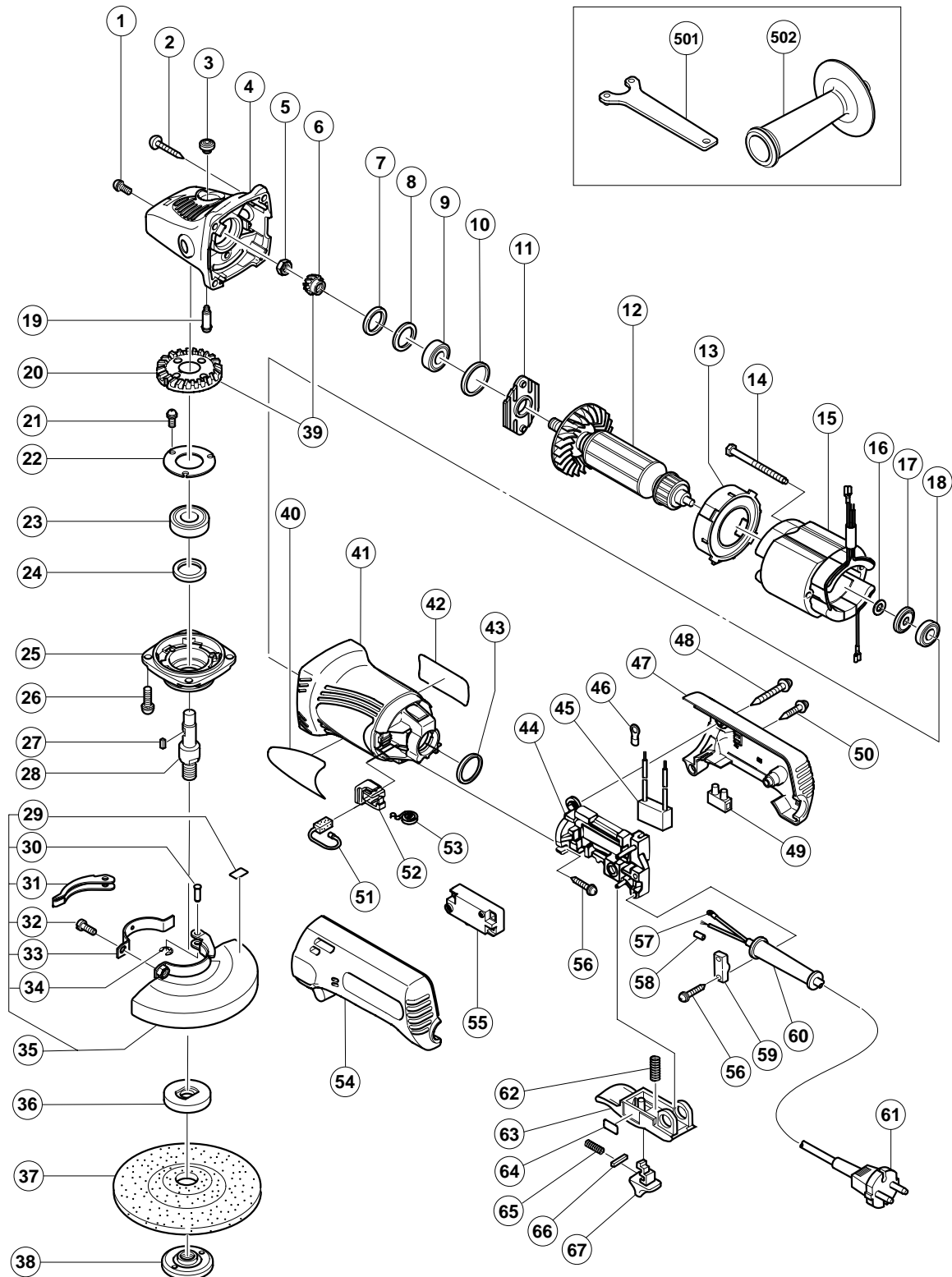


## ELECTRIC TOOL PARTS LIST

■ DISC GRINDER  
Model G 12SE2

2003 • 1 • 20  
(E1)



## PARTS

G 12SE2

ITEM NO.	CODE NO.	DESCRIPTION	NO. USED	REMARKS
1	303-255	SEAL LOCK SCREW (W/SP. WASHER) M4X10	2	
2	320-523	TAPPING SCREW D5X25 (BLACK)	4	
3	301-944	PUSHING BUTTON	1	
4	321-737	GEAR COVER ASS'Y	1	INCLUD. 3, 19
5	949-558	NUT M8 (10 PCS.)	1	
6	308-541	PINION	1	
7	308-543	SEAL RING (A)	1	
8	980-866	WASHER (C)	1	
9	629-T12	BALL BEARING 629T12DDC3PS2-L	1	
10	957-754	RUBBER RING	1	
11	321-734	BEARING COVER	1	
* 12	360-603U	ARMATURE ASS'Y 110V-120V	1	INCLUD. 9, 16-18
* 12	360-603E	ARMATURE 230V-240V	1	
13	321-732	FAN GUIDE	1	
14	982-021	HEX. HD. TAPPING SCREW D4X70	2	
* 15	340-551C	STATOR 110V	1	
* 15	340-551D	STATOR 120V	1	
* 15	340-551E	STATOR 230V	1	
* 15	340-551F	STATOR 240V	1	
* 16	311-737	THRUST WASHER	1	FOR GBR (110V), USA, CAN
* 17	315-877	DUST SEAL	1	
* 17	311-435	DUST SEAL (A)	1	FOR GBR (110V), USA, CAN
18	608-VVM	BALL BEARING 608VVC2PS2L	1	
19	301-943	LOCK PIN	1	
20	321-736	GEAR	1	
21	991-207	SEAL LOCK SCREW (W/SP. WASHER) M4X8	3	
22	936-680	BEARING COVER (B)	1	
23	620-1DD	BALL BEARING 6201DDCMPS2L	1	
24	308-546	FELT PACKING	1	
25	308-545	PACKING GLAND	1	
26	307-046	SEAL LOCK SCREW (W/SP. WASHER) M5X16	4	
27	944-109	FEATHER KEY 3X3X8	1	
* 28	994-301	SPINDLE (A)	1	
* 28	994-302	SPINDLE (B)	1	FOR USA, CAN
29	311-492	LABEL	1	
30	311-744	SET PIN	1	
31	311-743	LEVER	1	
32	880-734	MACHINE SCREW (W/WASHERS) M5X25 (BLACK)	1	
33	311-491	SET PIECE (B)	1	
34	874-759	RETAINING RING (E-TYPE) FOR D2.5 SHAFT	1	
35	311-745	WHEEL GUARD ASS'Y (TOOLLESS TYPE)	1	INCLUD. 29-34
* 36	937-817Z	WHEEL WASHER	1	
* 36	937-928Z	WHEEL WASHER (A) FOR D16 HOLE	1	FOR USA, CAN
37	316-821	D. C. WHEELS 115MM A36Q (25 PCS.)	1	
* 38	994-324	WHEEL NUT M14	1	
* 38	937-923P	WHEEL NUT 5/8"-11UNC	1	FOR USA, CAN
39	321-735	GEAR AND PINION ASS'Y	1	INCLUD. 6, 20
40		HITACHI LABEL	1	
41	321-731	HOUSING	1	
42		NAME PLATE	1	
43	321-733	RUBBER RING	1	

**PARTS**

G 12SE2

ITEM NO.	CODE NO.	DESCRIPTION	NO. USED	REMARKS
44	311-738	SWITCH BOX	1	
* 45	930-039	NOISE SUPPRESSOR	1	EXCEPT FOR USA, CAN
* 46	311-741	TERMINAL	1	
* 46	980-063	TERMINAL	1	FOR USA, CAN
47	321-739	TAIL COVER (B)	1	
48	303-694	TAPPING SCREW (W/FLANGE) D4X35 (BLACK)	2	
49	938-307	PILLAR TERMINAL	1	
50	301-653	TAPPING SCREW (W/FLANGE) D4X20 (BLACK)	1	
51	999-088	CARBON BRUSH (1 PAIR)	1	
51	999-076	CARBON BRUSH (AUTO STOP TYPE) (1 PAIR)	1	
52	317-810	BRUSH HOLDER	2	
53	308-536	SPRING	2	
54	321-738	TAIL COVER (A)	1	
* 55	311-739	SWITCH (1P SCREW TYPE) W/O LOCK	1	
* 55	311-740	SWITCH (1P SCREW TYPE) W/O LOCK	1	FOR USA, CAN
56	984-750	TAPPING SCREW (W/FLANGE) D4X16	3	
57	980-063	TERMINAL	1	
* 58	981-373	TUBE (D)	2	FOR GBR (110V)
59	960-266	CORD CLIP	1	
60	953-327	CORD ARMOR D8.8	1	
* 61	500-235Z	CORD	1	(CORD ARMOR D8.8)
* 61	500-408Z	CORD	1	(CORD ARMOR D8.8) FOR NZL, FIJ, AUS
* 61	500-249Z	CORD	1	(CORD ARMOR D8.8) FOR USA, CAN
* 61	500-462Z	CORD	1	(CORD ARMOR D8.8) FOR GBR (110V)
* 61	500-440Z	CORD	1	(CORD ARMOR D8.8) FOR GBR (230V)
62	983-595	SPRING	1	
63	308-554	PADDLE LEVER	1	
* 64	308-557	LEVER ACTION SEAL	1	
* 64	308-558	LEVER ACTION SEAL	1	FOR NZL, FIJ, AUS, GBR
65	301-631	SPRING (F)	1	
66	982-696	FEATHER KEY 3X3X15	1	
* 67	308-555	LOCK LEVER (BLACK)	1	
* 67	308-556	LOCK LEVER (GRAY)	1	FOR NZL, FIJ, AUS, GBR

**STANDARD ACCESSORIES**

G 12SE2

ITEM NO.	CODE NO.	DESCRIPTION	NO. USED	REMARKS	
501	938-332Z	WRENCH	1		
502	994-322	SIDE HANDLE	1		

**OPTIONAL ACCESSORIES**

ITEM NO.	CODE NO.	DESCRIPTION	NO. USED	REMARKS	
* 601	937-825Z	RUBBER PAD	1		
* 601	938-317	RUBBER PAD	1	FOR USA, CAN	
* 602	937-826Z	WASHER NUT	1		
* 602	938-318	WASHER NUT	1	FOR USA, CAN	
	603	314-095	SANDING DISCS 115MM C-P16 (10 PCS.)	1	
	604	314-096	SANDING DISCS 115MM C-P20 (10 PCS.)	1	
	605	314-097	SANDING DISCS 115MM C-P24 (10 PCS.)	1	
	606	314-098	SANDING DISCS 115MM C-P30 (10 PCS.)	1	
	607	314-099	SANDING DISCS 115MM C-P36 (10 PCS.)	1	
	608	314-100	SANDING DISCS 115MM C-P40 (10 PCS.)	1	
	609	314-101	SANDING DISCS 115MM C-P50 (10 PCS.)	1	
	610	314-102	SANDING DISCS 115MM C-P60 (10 PCS.)	1	
	611	314-103	SANDING DISCS 115MM C-P80 (10 PCS.)	1	
	612	314-104	SANDING DISCS 115MM C-P100 (10 PCS.)	1	
	613	314-105	SANDING DISCS 115MM C-P120 (10 PCS.)	1	
* 614	994-312	WHEEL WASHER (C) FOR D20 HOLE	1	FOR USA, CAN	
* 615	310-338	SUPER WASHER	1	EXCEPT FOR USA, CAN	