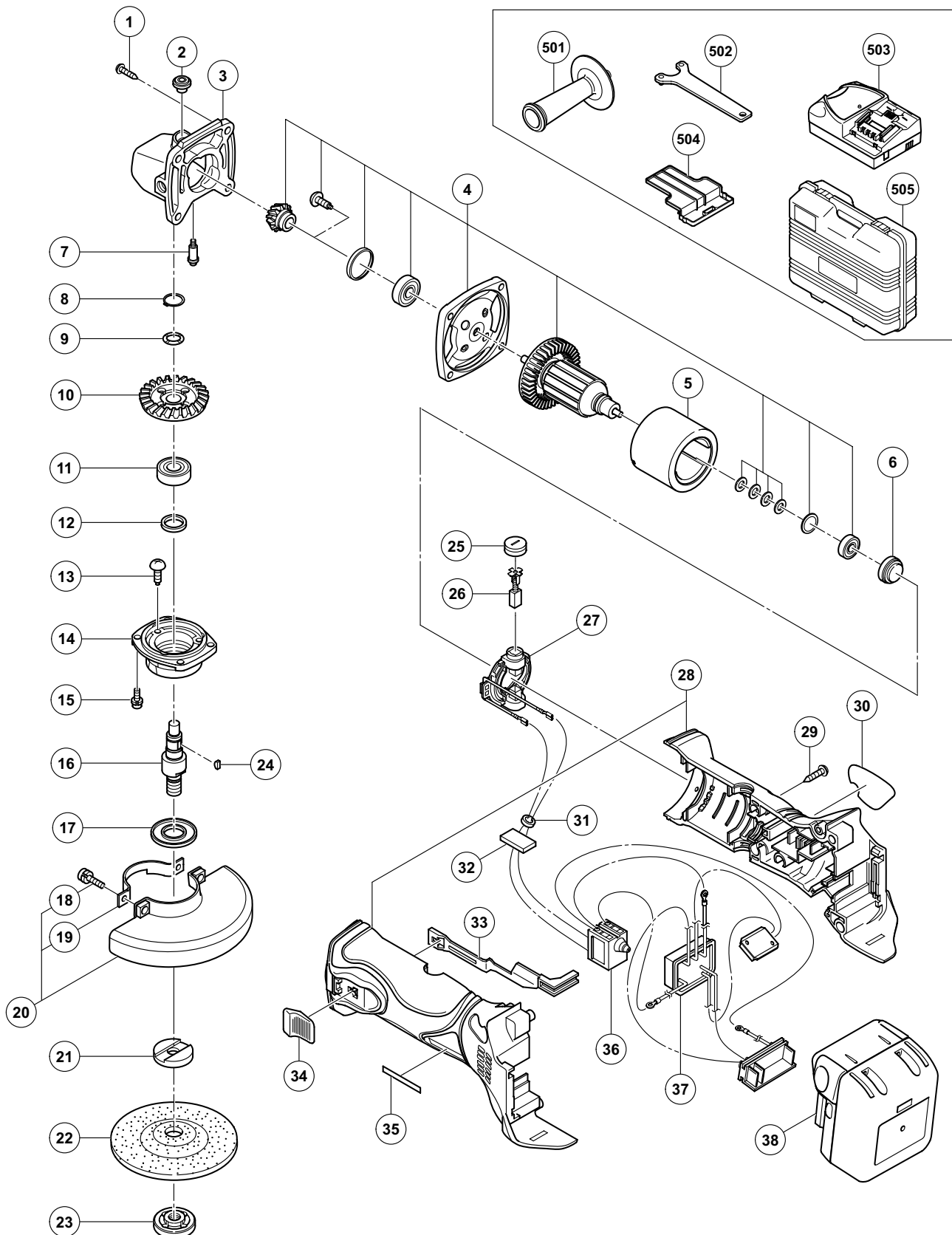


ELECTRIC TOOL PARTS LIST

CORDLESS DISC GRINDER Model G 14DSL

2008·3·18
(E1)



STANDARD ACCESSORIES

G 14DSL

ITEM NO.	CODE NO.	DESCRIPTION	NO. USED	REMARKS
501	318-312	SIDE HANDLE	1	
502	938-332Z	WRENCH	1	
503		CHARGER (MODEL UC 18YRSL)	1	
504	329-897	BATTERY COVER	1	
505	328-206	CASE	1	

OPTIONAL ACCESSORIES

ITEM NO.	CODE NO.	DESCRIPTION	NO. USED	REMARKS	
*	601	937-826Z	WASHER NUT	1	
*	601	938-318	WASHER NUT	1	FOR USA, CAN
*	602	937-825Z	RUBBER PAD	1	
*	602	938-317	RUBBER PAD	1	FOR USA, CAN
	603	314-095	SANDING DISCS 115MM C-P16 (10 PCS.)	1	
	604	314-096	SANDING DISCS 115MM C-P20 (10 PCS.)	1	
	605	314-097	SANDING DISCS 115MM C-P24 (10 PCS.)	1	
	606	314-098	SANDING DISCS 115MM C-P30 (10 PCS.)	1	
	607	314-099	SANDING DISCS 115MM C-P36 (10 PCS.)	1	
	608	314-100	SANDING DISCS 115MM C-P40 (10 PCS.)	1	
	609	314-101	SANDING DISCS 115MM C-P50 (10 PCS.)	1	
	610	314-102	SANDING DISCS 115MM C-P60 (10 PCS.)	1	
	611	314-103	SANDING DISCS 115MM C-P80 (10 PCS.)	1	
	612	314-104	SANDING DISCS 115MM C-P100 (10 PCS.)	1	
	613	314-105	SANDING DISCS 115MM C-P120 (10 PCS.)	1	
*	614	310-338	SUPER WASHER	1	EXCEPT FOR USA, CAN

