

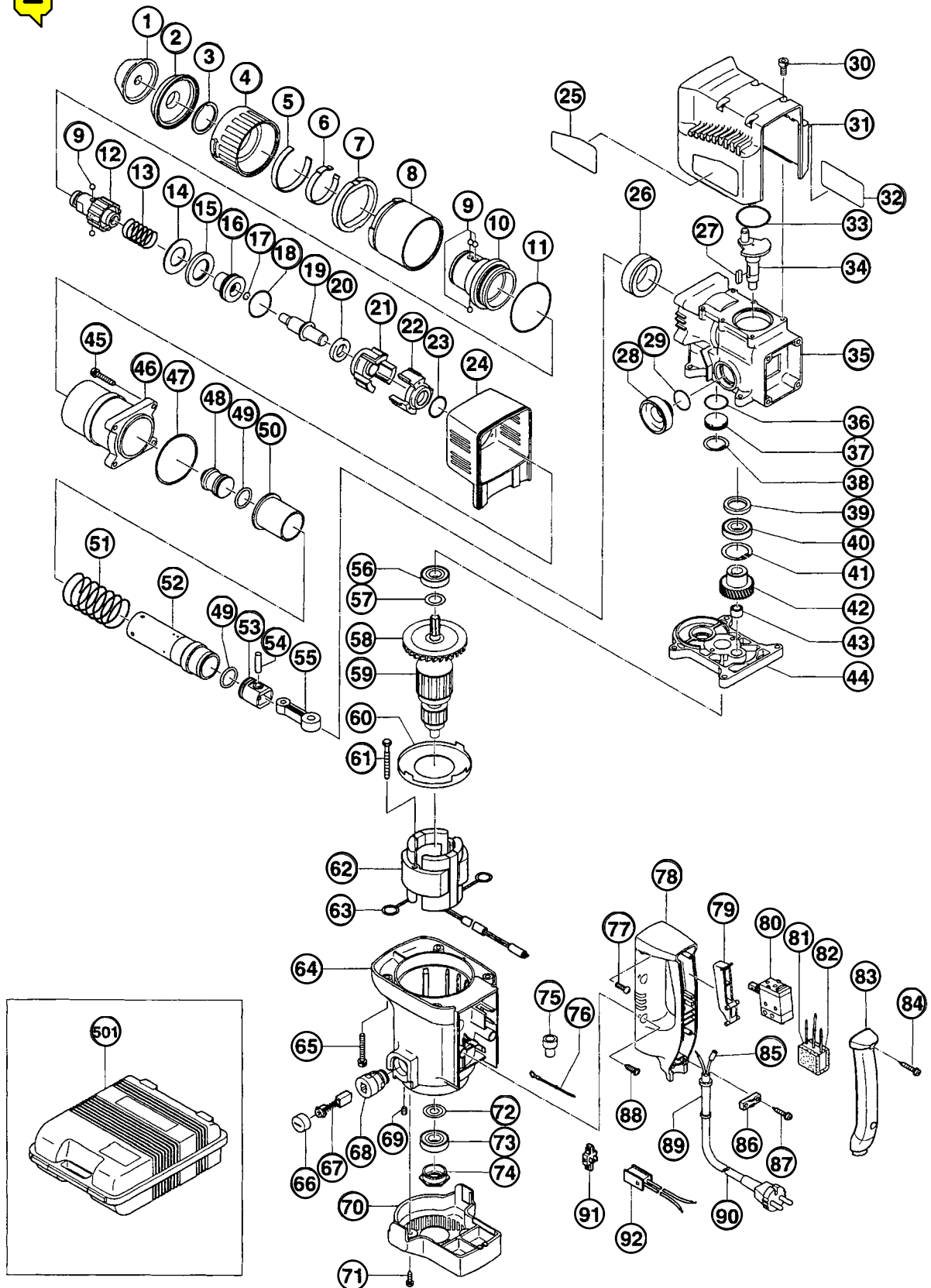
ELECTRIC TOOL PARTS LIST

■ HAMMER

2001 • 1 • 15

Model H 30PV

(E1)



PARTS

H 30PV

ITEM NO.	CODE NO.	DESCRIPTION	NO. USED	REMARKS
1	319-554	FRONT CAP	1	
2	319-555	GRIP (A)	1	
3	318-582	RETAINING RING D40	1	
4	319-556	GRIP (B)	1	
5	319-560	BALL SPRING (A)	1	
6	319-561	BALL SPRING (B)	1	
7	319-562	BALL HOLDER	1	
8	319-557	GRIP (C)	1	
9	959-156	STEEL BALL D7.0 (10 PCS.)	5	
10	319-559	FRONT COVER	1	
11	980-715	O-RING (S-48)	1	
12	319-558	RETAINER SLEEVE	1	
13	319-563	SPRING (A)	1	
14	319-565	WASHER	1	
15	319-566	DAMPER (A)	1	
16	319-564	HAMMER HOLDER (A)	1	
17	319-567	O-RING (S-15)	1	
18	980-717	O-RING (S-38)	1	
19	319-568	SECOND HAMMER	1	
20	319-569	DAMPER (B)	1	
21	319-571	HAMMER HOLDER (B)	1	
22	319-570	CYLINDER HOLDER	1	
23	319-572	O-RING (S-25)	1	
24	319-574	CYLINDER CASE COVER	1	
25		HITACHI LABEL	1	
26	319-928	SLEEVE (B)	1	
27	931-008	FEATHER KEY 4X4X12	1	
28	319-584	CRANK CASE CAP	1	
29	319-572	O-RING (S-25)	1	
30	878-356	SEAL LOCK HEX. SOCKET HD. BOLT M4X10	4	
31	319-575	CRANK CASE COVER	1	
32		NAME PLATE	1	
33	314-030	O-RING	1	
34	319-586	CRANK SHAFT	1	
35	319-583	CRANK CASE ASS'Y	1	INCLUD.26,28,29,36-38
36	306-353	O-RING (S-22)	1	
37	319-929	BUSHING	1	
38	983-748	RETAINING RING FOR D24 HOLE	1	
39	981-851	OIL SEAL (B)	1	
40	600-2DD	BALL BEARING 6002DDCMPS2L	1	
41	948-001	RETAINING RING FOR D32 HOLE	1	
42	319-588	FIRST GEAR	1	
43	670-714	NEEDLE BEARING (HK0810)	1	
44	319-591	GEAR COVER	1	
45	992-253	HEX. SOCKET HD. BOLT (W/FLANGE) M5X25	4	
46	319-573	CYLINDER CASE	1	
47	990-067	O-RING (1AS-50)	1	
48	319-576	STRIKER	1	
49	319-577	O-RING (I.D 19.2)	2	
50	319-578	SLEEVE (A)	1	
51	319-579	SPRING (B)	1	

*

PARTS

H 30PV

ITEM NO.	CODE NO.	DESCRIPTION	NO. USED	REMARKS
52	319-582	CYLINDER	1	
53	319-580	PISTON	1	
54	319-581	PISTON PIN	1	
55	319-585	CONNECTING ROD	1	
56	600-1DD	BALL BEARING 6001DDCMPS2L	1	
57	971-736	WASHER (B)	1	
58	319-930	FAN	1	
* 59	360-550U	ARMATURE ASS'Y 110V-115V	1	INCLUD.56-58,72,73
* 59	360-550E	ARMATURE ASS'Y 220V-230V	1	INCLUD.58
* 59	360-550F	ARMATURE ASS'Y 240V	1	INCLUD.58
60	980-931	FAN GUIDE	1	
61	992-509	HEX. HD. TAPPING SCREW D5X45	2	
* 62	340-498C	STATOR ASS'Y 110V	1	INCLUD.63
* 62	340-498G	STATOR ASS'Y 115V	1	INCLUD.63
* 62	340-498E	STATOR ASS'Y 220V-230V	1	INCLUD.63
* 62	340-498F	STATOR ASS'Y 240V	1	INCLUD.63
63	930-703	BRUSH TERMINAL	2	
64	319-590	HOUSING ASS'Y	1	INCLUD.68,69
65	319-589	HEX. SOCKET HD. BOLT (W/FLANGE) M5X35	4	
66	945-161	BRUSH CAP	2	
* 67	999-073	CARBON BRUSH (AUTO STOP TYPE) (1 PAIR)	2	
* 67	999-043	CARBON BRUSH (1 PAIR)	2	FOR TPE
68	958-900	BRUSH HOLDER	2	
69	938-477	HEX. SOCKET SET SCREW M5X8	2	
70	319-587	TAIL COVER	1	
71	307-811	TAPPING SCREW (W/FLANGE) D4X16 (BLACK)	2	
72	982-631	WASHER (A)	1	
73	608-VVM	BALL BEARING 608VVC2PS2L	1	
74	310-111	BEARING BUSHING (B)	1	
75	959-140	CONNECTOR 50091 (10 PCS.)	1	
76	981-500	INTERNAL WIRE	1	
77	307-294	MACHINE SCREW (W/WASHERS) M5X16 (BLACK)	4	
78	319-597	HANDLE	1	
79	319-594	TRIGGER	1	
* 80	319-592	SWITCH (B) (2P PILLAR TYPE) W/O LOCK	1	
* 80	319-593	SWITCH (A) (2P PILLAR TYPE) W/O LOCK	1	FOR TPE,GBR (110V),USA,CAN
* 81	994-273	NOISE SUPPRESSOR	1	EXCEPT FOR USA,CAN
* 82	317-492	SUPPORT (B)	1	EXCEPT FOR USA,CAN
83	319-598	HANDLE COVER	1	
84	301-653	TAPPING SCREW (W/FLANGE) D4X20 (BLACK)	2	
* 85	981-373	TUBE (D)	2	FOR CORD
86	937-631	CORD CLIP	1	
87	984-750	TAPPING SCREW (W/FLANGE) D4X16	2	
88	305-558	TAPPING SCREW (W/FLANGE) D5X25 (BLACK)	2	
* 89	953-327	CORD ARMOR D8.8	1	
* 89	938-051	CORD ARMOR D10.1	1	
* 90	500-424Z	CORD	1	(CORD ARMOR D8.8) FOR SIN
* 90	500-439Z	CORD	1	(CORD ARMOR D8.8) FOR AUS
* 90	500-446Z	CORD	1	(CORD ARMOR D10.1) FOR HKG,GBR (230V)
* 90	500-465Z	CORD	1	(CORD ARMOR D8.8) FOR GBR (110V)
* 90	500-390Z	CORD	1	(CORD ARMOR D8.8)

PARTS

H 30PV

ITEM NO.	CODE NO.	DESCRIPTION	NO. USED	REMARKS		
*	90	500-391Z	CORD	1	(CORD ARMOR D10.1) FOR SUI	
*	90	500-214Z	CORD	1	(CORD ARMOR D10.1) FOR TPE	
*	90	500-249Z	CORD	1	(CORD ARMOR D8.8) FOR USA,CAN	
	91	313-092	PLUG (A)	1		
*	92	319-595	PLUG (B)	1		
*	92	319-596	PLUG (B)	1	FOR USA,CAN	

STANDARD ACCESSORIES

ITEM NO.	CODE NO.	DESCRIPTION	NO. USED	REMARKS		
	501	319-599	CASE	1		

OPTIONAL ACCESSORIES

ITEM NO.	CODE NO.	DESCRIPTION	NO. USED	REMARKS		
	601	981-840	GREASE (A) FOR HAMMER.HAMMER DRILL (30G)	1		
	602	308-471	GREASE FOR HAMMER.HAMMER DRILL (70G)	1		
*	603	980-927	GREASE FOR HAMMER.HAMMER DRILL (500G)	1	EXCEPT FOR USA,CAN	
	604	303-046	BULL POINT (SDS+) 250MM(ROUND SHANK TYPE)	1		
	605	302-976	ANCHOR SETTING ADAPTER A (SDS+)W1/4X260L	1		
	606	302-975	ANCHOR SETTING ADAPTER A(SDS+)W5/16X260L	1		
	607	303-621	ANCHOR SETTING ADAPTER A (SDS+)W3/8X160L	1		
	608	302-974	ANCHOR SETTING ADAPTER A (SDS+)W3/8X260L	1		
	609	302-979	ANCHOR SETTING ADAPTER B (SDS+)W1/4X260L	1		
	610	302-978	ANCHOR SETTING ADAPTER B(SDS+)W5/16X260L	1		
	611	303-622	ANCHOR SETTING ADAPTER B (SDS+)W3/8X160L	1		
	612	302-977	ANCHOR SETTING ADAPTER B (SDS+)W3/8X260L	1		