

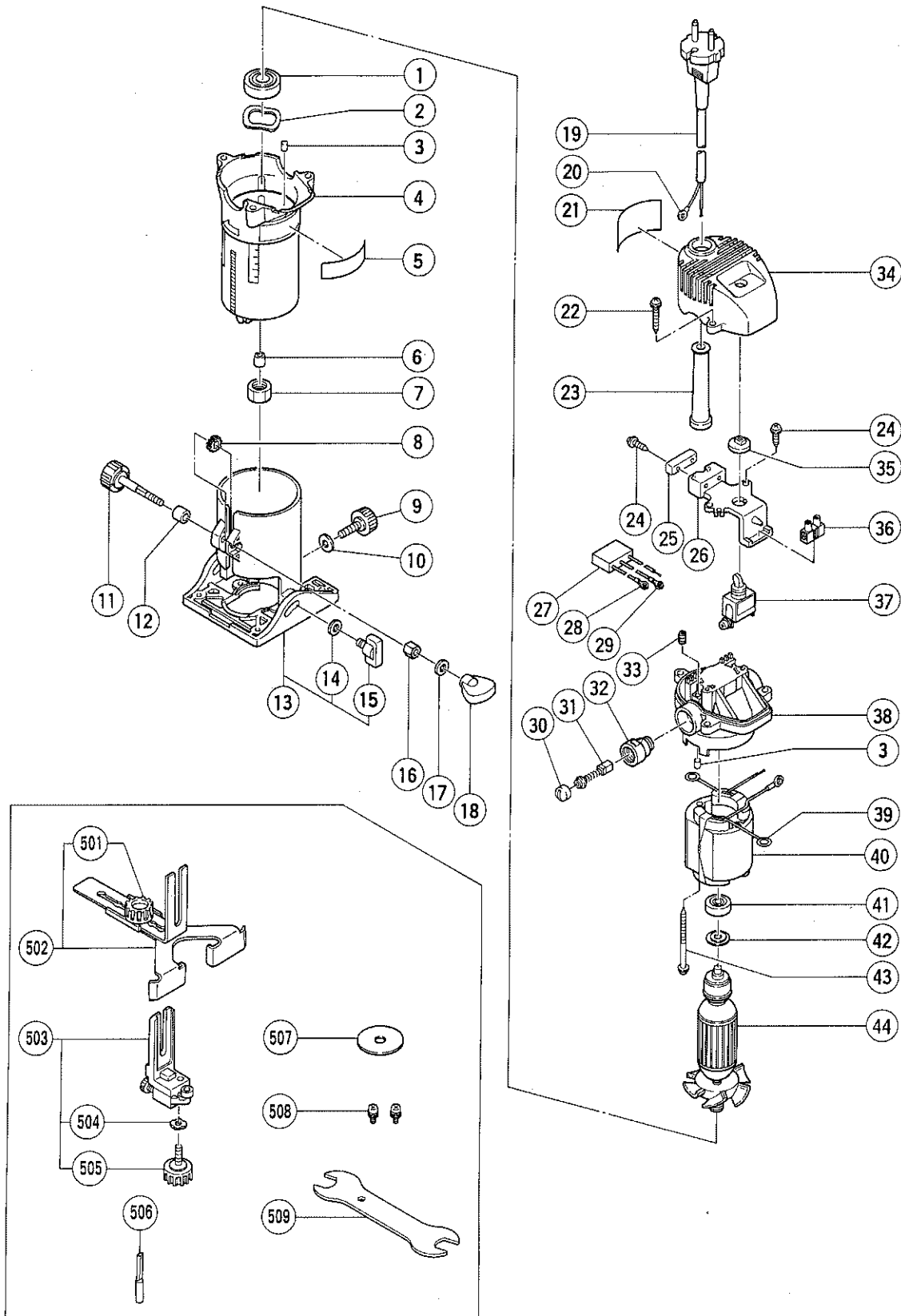
## ELECTRIC TOOL PARTS LIST

■ TRIMMER

Model M 6SB

1997 · 3 · 31

(E1)



## PARTS

M 6SB

ITEM NO.	CODE NO.	DESCRIPTION	NO. USED	REMARKS
1	600-2DD	BALL BEARING 6002DDUCMPS2S	1	
2	961-489	WAVE WASHER	1	
3	931-701	BEARING LOCK	2	
4	314-026	HOUSING	1	
5		HITACHI LABEL	1	
* 6	960-095	COLLET CONE 6MM	1	FOR ITA,FRG,HOL,AUT
* 6	960-114	COLLET CONE 6.35MM	1	
7	960-096	COLLET NUT	1	
8	314-019	PINION	1	
9	993-609	KNOB BOLT M6X11	1	
10	961-482	WASHER	1	
11	314-018	KNOB BOLT (B)	1	
12	961-469	DISTANCE WASHER	1	
13	314-017	BASE ASS'Y	1	INCLUD.14,15
14	949-432	BOLT WASHER M6 (10 PCS.)	2	
15	308-364	WING BOLT (A) M6X15	2	
16	314-029	HEX.SLEEVE	1	
17	310-386	WASHER M5.5	1	
18	314-020	WING NUT M5	1	
* 19	500-226Z	CORD	1	(CORD ARMOR D8.8) FOR NZL
* 19	500-234Z	CORD	1	(CORD ARMOR D8.8)
* 19	500-237Z	CORD	1	(CORD ARMOR D8.8) FOR GBR(110V)
* 19	500-436Z	CORD	1	(CORD ARMOR D8.8) FOR GBR(230V)
* 19	500-409Z	CORD	1	(CORD ARMOR D8.8) FOR FRA,ESP
* 19	500-439Z	CORD	1	(CORD ARMOR D10.1) FOR AUS
20	980-063	TERMINAL	1	
21		NAME PLATE	1	
22	307-028	TAPPING SCREW (W/FLANGE) D4X25 (BLACK)	3	
* 23	953-327	CORD ARMOR D8.8	1	
* 23	938-051	CORD ARMOR D10.1	1	
24	984-750	TAPPING SCREW (W/FLANGE) D4X16	4	
25	937-631	CORD CLIP	1	
26	314-021	PLATE	1	
27	994-273	NOISE SUPPRESSOR	1	
28	980-063	TERMINAL	2	
29	959-144	TERMINAL 50051 (10 PCS.)	1	
30	937-847	BRUSH CAP	2	
31	999-021	CARBON BRUSH (1 PAIR)	2	
32	937-846	BRUSH HOLDER	2	
33	938-477	HEX. SOCKET SET SCREW M5X8	2	
34	314-028	HEAD COVER	1	
35	314-016	RUBBER CAP	1	
36	938-307	PILLAR TERMINAL	1	
* 37	955-509	SWITCH (1P SOLDER TYPE)	1	
* 37	314-603	SWITCH (1P SOLDER TYPE)	1	FOR GBR,ITA,FRG,FRA,HOL,AUT,ESP,CHN
38	314-027	STATOR HOLDER ASS'Y	1	INCLUD.32,33
39	930-630	BRUSH TERMINAL	2	
* 40	340-374C	STATOR ASS'Y 110V	1	INCLUD.39
* 40	340-374E	STATOR ASS'Y 220V - 230V	1	INCLUD.39 FOR GBR(230V)
* 40	340-374G	STATOR ASS'Y 230V	1	INCLUD.39 FOR NZL
* 40	340-374H	STATOR ASS'Y 240V	1	INCLUD.39

\*: ALTERNATIVE PARTS

3 - 97

**PARTS**

M 6SB

ITEM NO.	CODE NO.	DESCRIPTION	NO. USED	REMARKS
* 40	340-374L	STATOR ASS'Y 220V - 230V	1	INCLUD.39
41	627-VVM	BALL BEARING 627VVMC2EPS2S	1	
42	960-111	TAIL WASHER	1	
43	963-388	TAPPING SCREW (W/WASHER) D4X60	2	
* 44	360-428C	ARMATURE 110V	1	
* 44	360-428E	ARMATURE 220V - 230V	1	
* 44	360-428F	ARMATURE 240V	1	

**STANDARD ACCESSORIES**

ITEM NO.	CODE NO.	DESCRIPTION	NO. USED	REMARKS
501	960-058	KNOB BOLT M6X17	1	
502	960-104	STRAIGHT GUIDE ASS'Y	1	INCLUD.501
503	314-613	TRIMMER GUIDE ASS'Y	1	INCLUD.504,505
504	960-092	WAVE WASHER	1	
505	960-058	KNOB BOLT M6X17	1	
* 506	312-273	STRAIGHT BIT (TCT) D6X6	1	FOR AUT
* 506	971-878	STRAIGHT BIT (TCT) 1/4"X1/4"	1	FOR AUS,CHN
507	961-478	TEMPLATE GUIDE D10	1	
508	976-815	MACHINE SCREW (W/WASHERS) M4X8	2	
509	931-161	WRENCH 17/19MM	1	

**OPTIONAL ACCESSORIES**

ITEM NO.	CODE NO.	DESCRIPTION	NO. USED	REMARKS
601	314-626	TRIMMER SHOE BASE	1	

\*: ALTERNATIVE PARTS