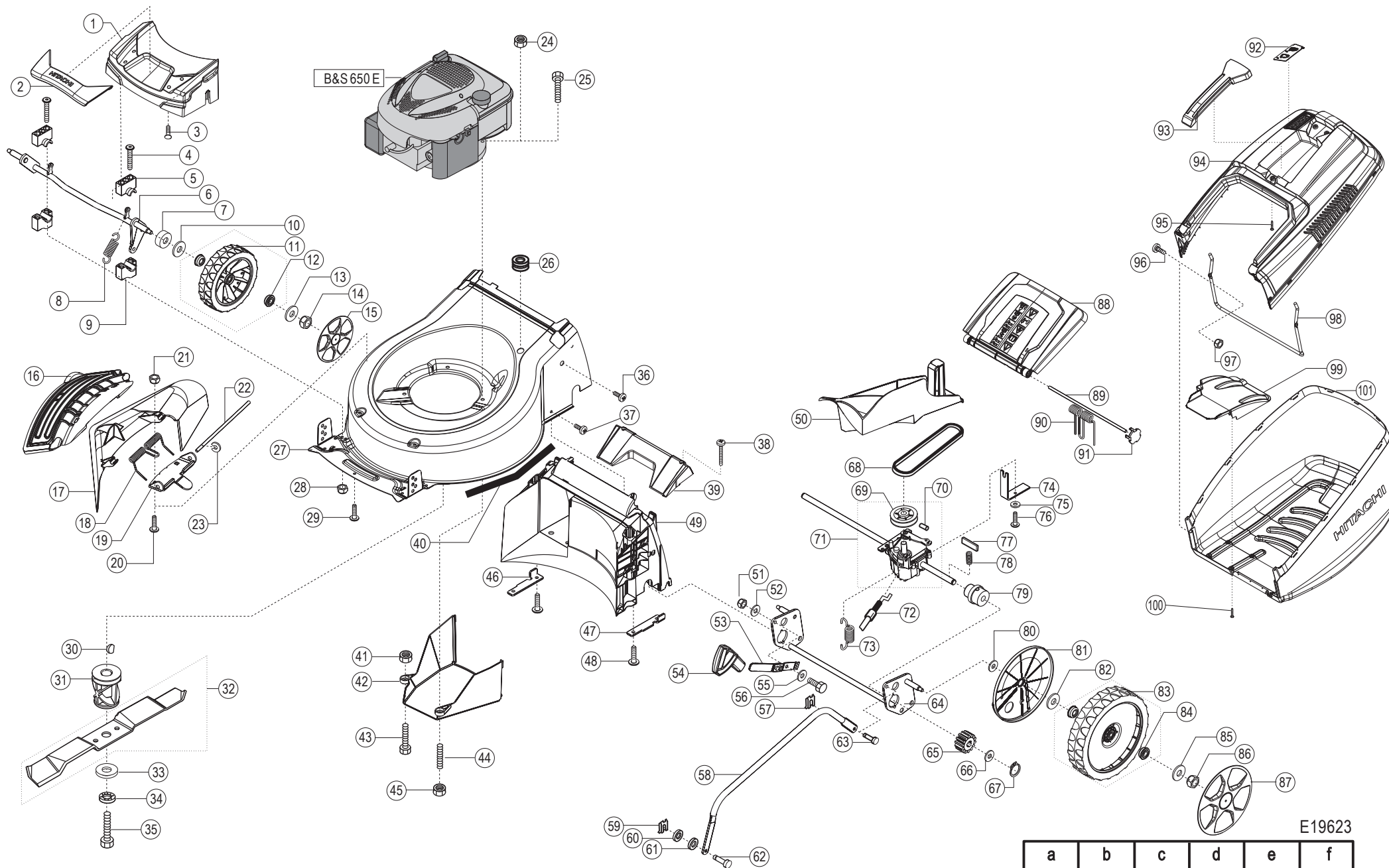


# ML 190EA

Art. Nr. 119623

# Hitachi Koki



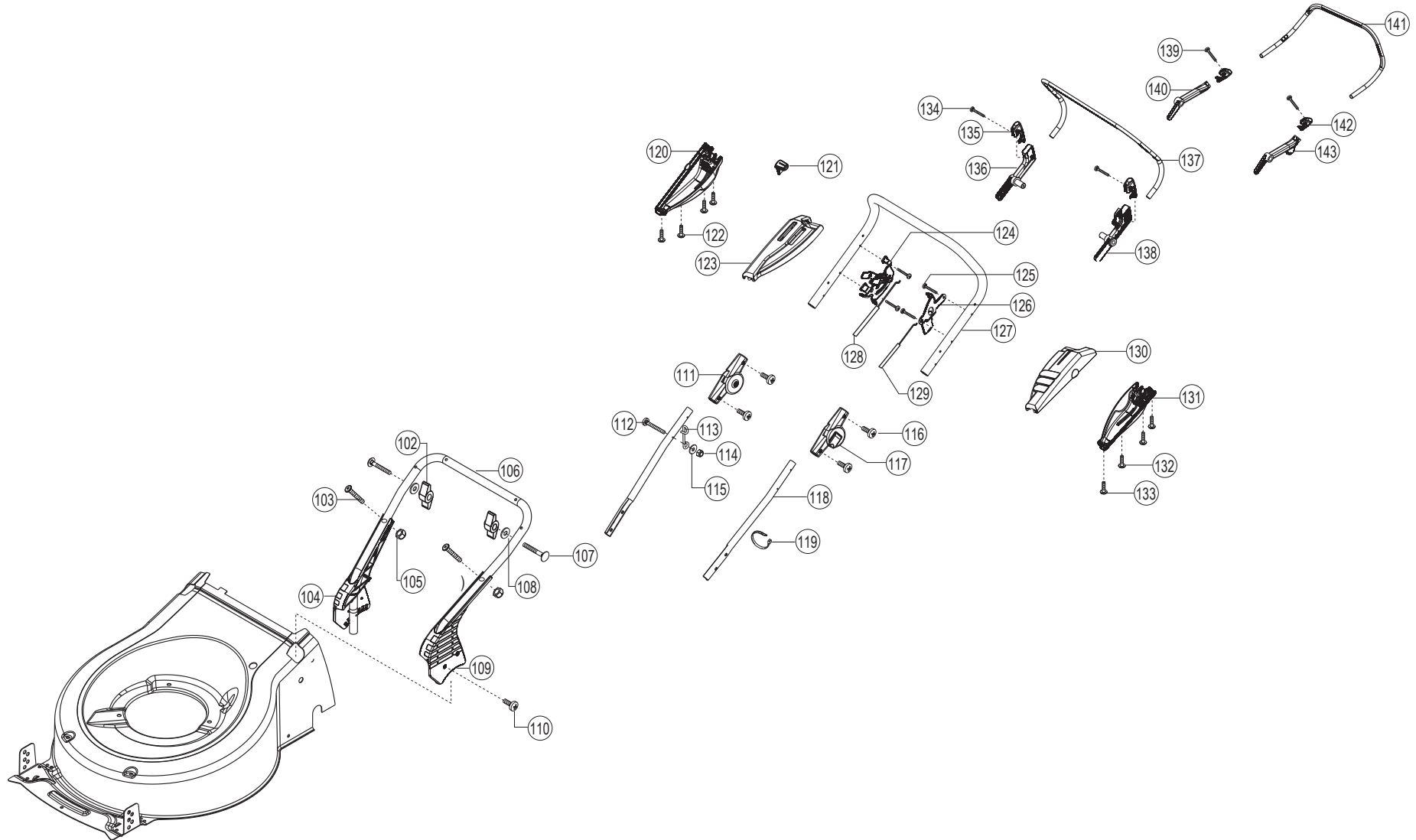
E19623

a	b	c	d	e	f
---	---	---	---	---	---

# ML 190EA

Art. Nr. 119623

# Hitachi Koki



E19623

a	b	c	d	e	f
---	---	---	---	---	---

ML190EA			
Illust No.	Qty.	Service Code No.	description ENGLISH
1	1	6600109	FRONT PART
2	1	6600108	FRONT GRIP
3	4	6600181	SCREW D4X16
4	4	6600276	SCREW 6X60
5	2	6600150	AXLE BEARING FRONT UPPER
6	1	6600166	FRONT AXLE
7	2	6600165	SLEEVE
8	2	6600149	TENSION SPRING
9	2	6600146	AXLE BEARING FRONT BOTTOM
10	2	6600223	WASHER 13 1X24X0,6
11	2	6600139	WHEEL
12	2	6600216	BALL BEARING KL4.12 MARKES
13	2	6600273	WASHER 8,4
14	2	6600272	NUT M8
15	2	6600141	WHEEL COVER
16	1	6600162	SIDE DISCHARGE FLAP
17	1	6600192	SIDE DISCHARGE DUCT
18	1	6600169	SPRING
19	1	6600172	FLAP HOLDER
20	2	6600279	SPECIAL SCREW M6X16
21	2	6600271	HEXAGON NUT 6
22	1	6600168	AXLE FOR FLAP BESIDE
23	1	6600265	LOCK WASHER 4
24	3	6600211	NUT M8
25	1	6600096	SCREW M8X 30
26	1	6600219	MEMBRANE GROMMET
27	1	6600193	DECK
28	4	6600271	HEXAGON NUT 6
29	7	6600237	SCREW D4X10
30	1	6600249	WASHER 4 X 6.5
31	1	6600178	BLADE HOLDER
32	1	6600100	MULCHING BLADE 46
33	1	6600093	WASHER D50X5
34	1	6600248	WASHER 10,5
35	1	6600094	HEXAGON SCREW 3/8"X 60
36	2	6600278	SCREW 4,8X25
37	4	6600214	SCREW D6X14
38	2	6600181	SCREW D4X16
39	1	6600107	FLAP COVER
40	1	6600122	IMPACT PROTECTION 4700
41	2	6600211	NUT M8
42	1	6600145	COVER FOR BELT
43	1	6600099	SCREW M8X 40
44	1	6600232	FULL THREAD BOLT M8X80
45	2	6600211	NUT M8
46	1	6600148	CLOSURE ANGLE 46 RIGHT
47	1	6600156	CLOSURE ANGLE 46 LEFT
48	4	6600214	SCREW D6X14
49	1	6600144	REAR PART
50	1	6600175	MULCHING WEDGE
51	1	6600272	NUT M8
52	2	6600273	WASHER 8,4
53	1	6600177	ADJUSTING LEVER
54	1	6600106	GRIP FOR HEIGHT ADJUSTMENT
55	1	6600245	WASHER 8 X24
56	1	6600275	SCREW 8X 25
57	1	6600236	SAFEGUARD
58	1	6600180	CONNECTION ROD
59	1	6600236	SAFEGUARD
60	1	6600270	WASHER 8X14X1,0
61	1	6600261	WASHER 8
62	1	6600228	CONNECT PIN
63	1	6600171	CONNECT PIN
64	1	6600167	REAR AXLE
65	2	6600233	PINION
66	2	6600256	WASHER 12X18X1,0
67	2	6600253	CIRCLIP 12X1
68	1	6600151	BELT
69	1	6600239	PULLEY
70	1	6600246	PIN 5 X 24
71	1	6600117	TRANSMISSION 46
72	1	6600125	CABLE 1290

ML190EA			
Illust No.	Qty.	Service Code No.	description ENGLISH
73	1	6600159	TENSION SPRING
74	1	6600120	CABLE HOLDER 46
75	1	6600263	WASHER 6,4
76	1	6600215	SCREW 6X12
77	2	6600268	PIN 5X3X14
78	2	6600218	SPRING
79	2	6600231	BEARING BUSH
80	2	6600262	WASHER 13
81	2	6600164	COVER
82	2	6600250	SPRING WASHER 12
83	2	6600140	WHEEL
84	2	6600216	BALL BEARING KL4.12 MARKES
85	2	6600273	WASHER 8,4
86	2	6600272	NUT M8
87	2	6600142	WHEEL COVER
88	1	6600110	FLAP
89	1	6600176	ROD FOR FLAP
90	1	6600147	SPRING
91	2	6600155	STOPPER
92	1	6600102	LEVEL INDICATOR
93	1	6600103	GRIP
94	1	6600104	BOX TOP
95	3	6600181	SCREW D4X16
96	2	6600259	SCREW 5X 16
97	2	6600257	NUT M5
98	1	6600113	BOX BRACKET
99	1	6600114	INSET FOR BOX
100	4	6600220	SCREW D5X18
101	1	6600105	BOX LOWER PART
102	2	6600238	WING NUT
103	2	6600277	SCREW 6X 35
104	1	6600174	SIDE BOARD RIGHT
105	2	6600252	NUT M6
106	1	6600136	LOWER HANDLE
107	2	6600258	SCREW 8X 45
108	2	6600273	WASHER 8,4
109	1	6600173	SIDE BOARD LEFT
110	2	6600097	SCREW D6X20
111	1	6600133	HANDLE HINGE (R)
112	1	6600255	SCREW 6X 30
113	1	6600224	GUIDE OF STARTER CORD
114	1	6600252	NUT M6
115	1	6600244	WASHER 6,4
116	4	6600251	SCREW D5X16
117	1	6600132	HANDLE HINGE (L)
118	1	6600210	MIDDLE HANDLE
119	2	6600213	CABLE TIE CLIP
120	1	6600209	HANDLE TRAY (R)
121	1	6600199	DOUBLE LEVER
122	1	6600221	SCREW M4X16
123	1	6600111	HANDLE HOUSING(R)
124	1	6600201	PLATE WITH LEVER RIGHT COMPL.
125	4	6600242	SCREW 5X10
126	1	6600205	GROUND PLATE LEFT
127	1	6600137	MIDDLE HANDLE
128	1	6600131	CABLE 1260
129	1	6600128	CABLE 1200
130	1	6600112	HANDLE HOUSING(L)
131	1	6600208	HANDLE TRAY (L)
132	1	6600221	SCREW M4X16
133	6	6600098	SCREW D4X25
134	2	6600181	SCREW D4X16
135	2	6600204	CLAMP
136	1	6600196	STOP LEVER LINK (R)
137	1	6600134	STOP LEVER
138	1	6600195	STOP LEVER LINK (L)
139	2	6600181	SCREW D4X16
140	1	6600198	DRIVE LEVER LINK (R)
141	1	6600135	DRIVE LEVER
142	2	6600204	CLAMP
143	1	6600197	DRIVE LEVER LINK (L)