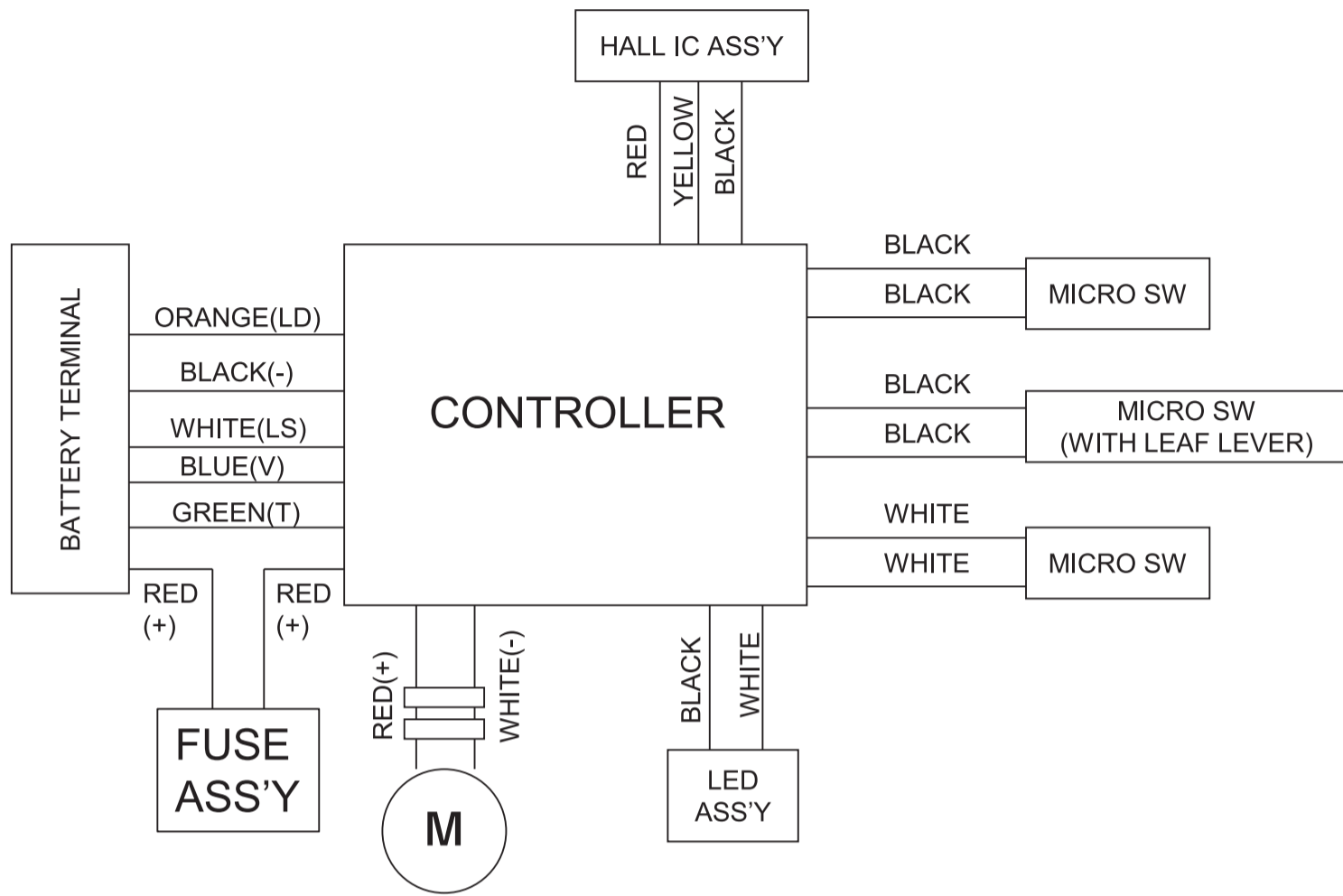


MODEL  
N1812DA(1/2)



# HIKOKI

## CORDLESS NAILER N1812DA

Item No.	Code No.	Description	No. Used	Remarks
1	313687	TAPPING SCREW (W/FLANGE) D3X16 (BLACK)	9	
2		NAME PLATE	1	
3	305691	MACHINE SCREW (W/WASHERS) M4X14 (BLACK)	2	
4	327002	LOCK NUT M4 (BLACK)	1	
5	381971	HOUSING (A).(B) SET	1	
6	381967	HEX.SOCKET BOLT M4X6	2	
7	381968	MUZZLE ASS'Y	1	INCLUD.8-15
8	381941	UPPER COVER (A)	1	
9	381964	ROLL PIN D2X18	2	
10	381939	PUSHING LEVER	1	
11	381950	MUZZLE PIECE (A)	1	
12	381940	SPRING (P)	1	
13	381937	BLADE HOLDER (E)	1	
14	381936	BLADE HOLDER (A)	1	
15	381938	BLADE HOLDER (C)	1	
16	381957	TRIGGER LOCK BUTTON	1	
17	381955	SWITCH TRIGGER	1	
18	381956	TRIGGER SPRING	1	
19	381945	PIN	1	
20	381946	DRIVER BLADE (A)	1	
21	381963	MACHINE SCREW (W/SP. WASHER) M4X6 (BLACK)	2	
22	381942	UPPER COVER (B)	1	
23	381944	PLUNGER GUIDE	1	
24	381947	GUIDE BAR	1	
25	381966	SPRING WASHER	1	
26	381962	MAIN SPRING	1	
27	381943	PLUNGER	1	
28	373861	PLUNGER DAMPER (A)	1	
29	381948	GUIDE BAR HOLDER (A)	1	
30	381949	GEAR PLATE	1	
31	381976	GEAR	1	
32	381975	GEAR HOLDER	1	
33	381974	SECOND PINION ASS'Y	1	INCLUD.34
34	331991	NEEDLE ROLLER	3	
35	331803	IDLE GEAR	3	
36	331804	RING GEAR	1	
37	331802	WASHER	1	
38	334985	MOTOR	1	
39	318247	FERRITE CORE	2	
40	381972	CONTROLLER ASS'Y (A)	1	INCLUD.39,41
41	379284	BATTERY TERMINAL	1	
42	334333	TAPPING SCREW D3X12 (BLACK)	1	
43	381959	MICRO SWITCH LEVER	1	
44	378240	NEEDLE ROLLER D3X13.8	2	
45	381958	SWITCH HOLDER	1	
46	381969	MAGAZINE ASS'Y	1	INCLUD.47-54
47	381953	MAGAZINE LEVER	1	
48	872971	RETAINING RING (E-TYPE) FOR D3 SHAFT	1	
49	381961	MAGAZINE LEVER SPRING	1	
50	381954	PIN (M)	1	
51	381952	SPRING HOLDER	1	
52	381977	FEEDER	1	
53	381951	MAGAZINE BASE (A)	1	

\* ALTERNATIVE PARTS

