

# Hitachi Power Tools

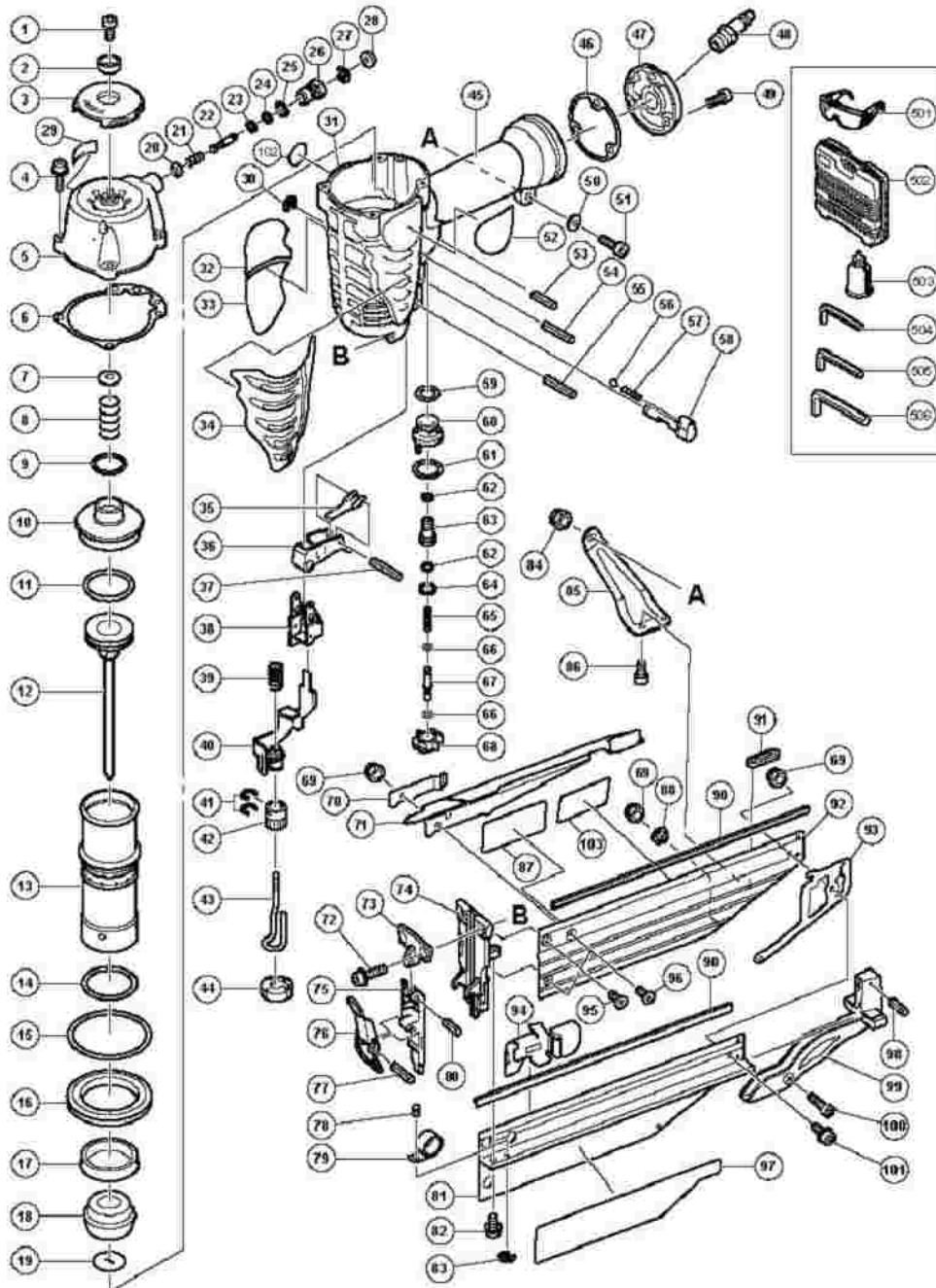
LIST NO. E032

## ELECTRIC TOOL PARTS LIST

■ FINISH NAILER  
Model NT 65M2

2006·12·1

(E1-1)



## NT65M2

Pos. Nr.	Art. Nr.	Beschreibung	Stueck	Kommentar	Beschreibung
1	949-657	INBUSSCHRAUBE M6X12 (10ST)	1		HEX. SOCKET HD. BOLT M6X12 (10 PCS.)
2	880-515	PLATTE NV65AD2	1		PLATE
3	885-673		1		TOP COVER
4	885-637		4		HEX. SOCKET HD. BOLT (W/SP.WASHER) M5X25
5	885-671		1		EXHAUST COVER
6	885-672		1		GASKET
7	882-914	Scheibe NV65AJ	1		HEAD BUMPER
8	882-913	Hauptventilfeder NV65AJ	1		HEAD VALVE SPRING
9	883-992	O-Ring	1		O-RING (I.D 20.8)
10	882-927	Hauptventil (A) NV65AF3	1		HEAD VALVE (A)
11	885-668		1		O-RING (I.D 31.7)
12	885-667		1		PISTON
13	885-663		1		CYLINDER
14	885-690		1		O-RING (S-44)
15	885-665		1		O-RING (I.D 59.6)
16	885-664		1		CYLINDER PLATE
17	885-666		1		CYLINDER RING
18	885-669		1		PISTON BUMPER
19	885-670		1		BUMPER SHEET
20	884-338		1		VALVE PACKING
21	881-900		1		SPRING
22	884-333		1		PLUNGER
23	881-715		1		O-RING (S3)
24	873-093	O-RING (1AP-3) NV32AB/NV45AB	1		O-RING (1AP-3)
25	987-105	O-RING (S-10) D6SH	1		O-RING (S-10)
26	882-701		1		VALVE BUSHING
27	968-643	SICHERUNGSRING D4 (E-TYPE)	1		RETAINING RING (E-TYPE) FOR D4 SHAFT
28	884-334		1		KNOB
29			1		CAUTION PLATE
		SICHERUNGSRING (E-TYP)			RETAINING

30	955-479	D6 C10FCA/C10RA/N	1		RING (E-TYPE) FOR D6 SHAFT
31	885-662		1	INCLUD.45	BODY ASS'Y
32			1		NAME PLATE
33			1		NAME PLATE (B)
34	885-675		1		PROTECTOR
35	885-689		1		TRIGGER ARM (C)
36	885-657		1	"INCLUD.35,37"	TRIGGER (C) ASS'Y
37	881-951	Rollstift D2 5x16	1		ROLL PIN D2.5X16
38	885-640		1		PUSHING LEVER GUIDE
39	885-638		1		PUSHING LEVER SPRING
40	885-639		1		PUSHING LEVER (B)
41	881-765		2		RATCHET SPRING
42	884-325		1		ADJUSTER
43	885-688		1		PUSHING LEVER (A)
44	881-751		1		NOSE CAP (A)
45			1		GRIP RUBBER (A)
045	000-008D		0	"SUPPLIED WITH ITEM NO.601,602"	
46	884-342		1		GASKET (B)
47	885-674		1		CAP (A)
48			1		AIR PLUG NPT 1/4
49	949-821	INBUSSCHRAUBE M5X16 (10ST)	3		HEX. SOCKET HD. BOLT M5X16 (10 PCS.)
50	885-661		1		WASHER
51	949-757	INBUSSCHRAUBE M5X20 (10ST)	1		HEX. SOCKET HD. BOLT M5X20 (10 PCS.)
52			1		HITACHI LABEL
53	949-539	ROLLSTIFT D3X25 (10ST) NV38AB2	1		ROLL PIN D3X25 (10 PCS.)
54	884-975	Rollstift D3x32 NR90GC	1		ROLL PIN D3X32
55	949-866	ROLLSTIFT D3X30 (10ST)	1		ROLL PIN D3X30

					(10 PCS.)
56	959-155	STAHLKUGELN D3 97 (10ST)	1		STEEL BALL D3.97 (10 PCS.)
57	982-454	FEDER (C) CJ65VA2/V2/CR10V/CJ120V	1		SPRING (C)
58	885-658		1		CHANGE KNOB (C)
59	877-763	SCHIEBEKOLBEN O-RING (I D 14)NV45	1		FEED PISTON O- RING (I.D.14)
60	884-963		1		VALVE BUSHING (B)
61	873-570	O-RING (P-18) DH20V/NV38AB	1		O-RING (P-18)
62	676-531	O-RING (P-7) C6U- C9U/C6BU/C7BU/ C6DD/FC6	2		O-RING (P-7)
63	884-964		1		VALVE PISTON
64	872-654	O-RING (1AP-10) CR10V/DH25V	1		O-RING (1AP-10)
65	884-966		1		PLUNGER SPRING
66	878-888	O-RING (I D 1 8) NV65AD2/NV50AG	2		O-RING (I.D 1.8)
67	884-965		1		PLUNGER
68	884-962		1		VALVE BUSHING (A)
69	876-465	NYLONMUTTER M4 NV45AB u a:	3		NYLON NUT M4
70	885-646		1		COVER PLATE
71	885-648		1		MAGAZINE COVER
72	885-637		2		HEX. SOCKET HD. BOLT (W/SP.WASHER) M5X25
73	885-635		1		GUIDE PLATE (B)
74	885-636		1		BLADE GUIDE
75	885-634		1		GUIDE PLATE (A)
76	884-323		1		LOCK LEVER
77	949-685	SPANNSTIFT D3X20 (10ST) NV90AF	1		ROLL PIN D3X20 (10 PCS.)
78	885-656		1		PIN
79	885-655		1		RIBBON SPRING
80	949-770	ROLLSTIFT D4X14 (10ST)	1		ROLL PIN D4X14 (10 PCS.)

81	885-641		1		MAGAZINE (A)
82	885-652		1		HEX. SOCKET HD. BOLT (W/SP.WASHER) M5X12
83	872-971	SICHERUNGSRING (E-TYP) D3	1		RETAINING RING (E-TYPE) FOR D3 SHAFT
84	877-371	NYLONMUTTER M5 NV83A/NR83A	1		NYLON NUT M5
85	885-659		1		HANDLE ARM
86	949-812	INBUSSCHRAUBE M4X10 (10ST)	2		HEX. SOCKET HD. BOLT M4X10 (10 PCS.)
87			1		LABEL
88	885-649		1		SLEEVE
90	885-643		2		NAIL RAIL
91	885-660		1		ARM PLATE
92	885-642		1		MAGAZINE (B)
93	885-644		1		SPACER
94	885-654		1		NAIL FEEDER
95	885-651		1		NYLOCK HEX. SOCKET FLAT HD. BOLT M4X6
96	885-650		2		NYLOCK HEX. SOCKET FLAT HD. BOLT M4X10
97			1		LABEL (A)
98	878-791	STIFT D2 5X12 NV50AF3	1		ROLL PIN D2.5X12
99	885-645		1		MAGAZINE PROTECTOR
100	949-754	INBUSSCHRAUBE M4X16 (10ST)	1		HEX. SOCKET HD. BOLT M4X16 (10 PCS.)
101	885-653		1		HEX. SOCKET HD. BOLT (W/SP.WASHER) M4X14
501	875-769	SCHUTZBRILLE	1		SAFETY GLASSES
502	885-676		1		CASE
503	877-153	OLKANNE (30CC) NV83A	1	FOR EUROPE	PNEUMATIC TOOL LUBRICANT (30CC)

504	943-277	INBUSSCHLUSSEL D3(M4)	1	FOR EUROPE	HEX. BAR WRENCH 3MM
505	944-458	INBUSSCHLUSSEL D4(M5)	1	FOR EUROPE	HEX. BAR WRENCH 4MM
506	944-459	INBUSSCHLUSSEL D5(M6)	1	FOR EUROPE	HEX. BAR WRENCH 5MM
601	881-768	GRIFFBAND (A) NV50AE u a ALTE ART NR 88	1		GRIP TAPE (A)
602	880-407	BAND NV50AG u a	2		TAPE
603	885-914		1	INCLUD.604-610	O-RING KIT
605	883-992	O-Ring	1		O-RING (I.D 20.8)
606	885-668		1		O-RING (I.D 31.7)
607	885-690		1		O-RING (S-44)
608	885-665		1		O-RING (I.D 59.6)
609	885-666		1		CYLINDER RING
610			1		HANDLING INSTRUCTION