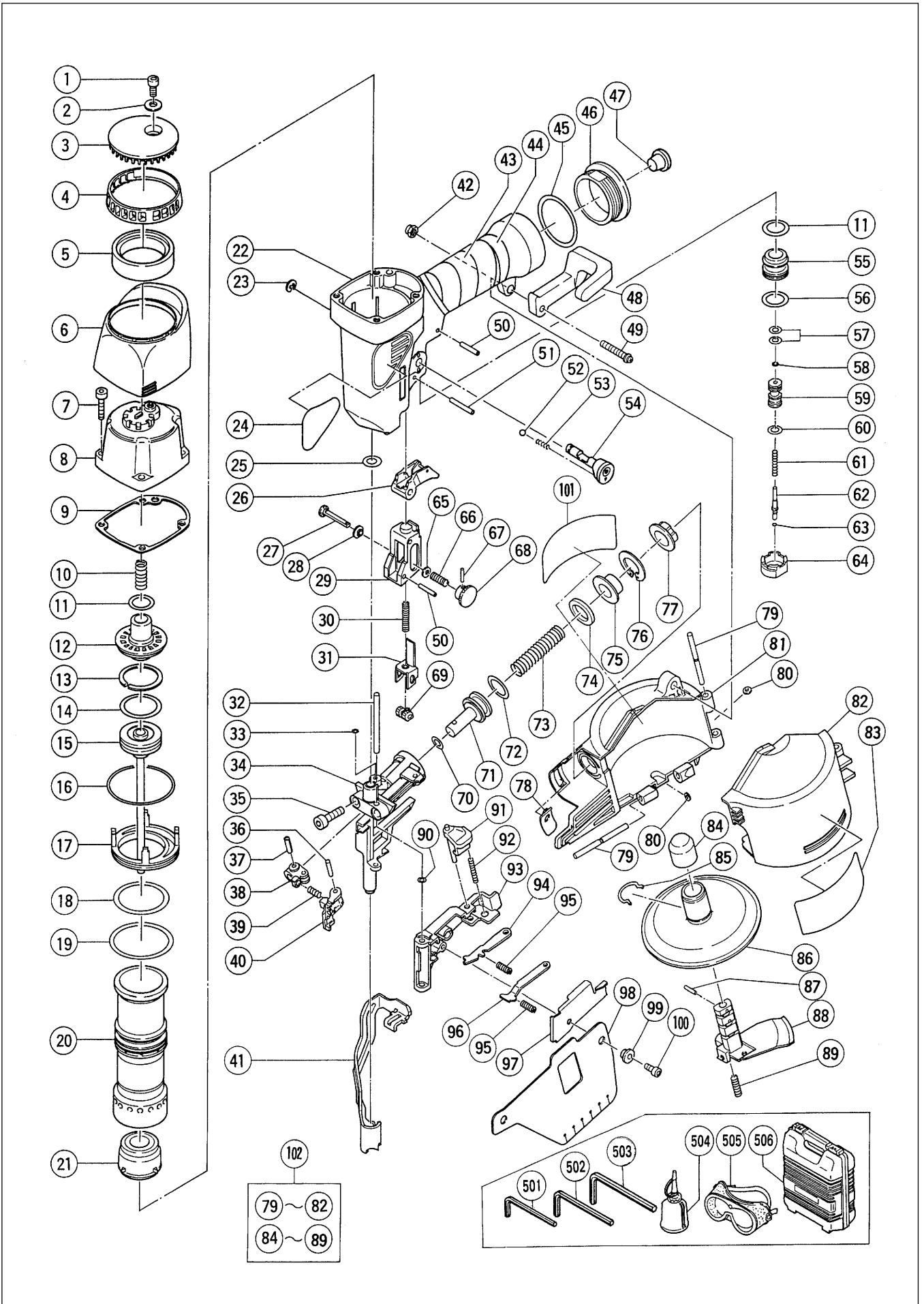
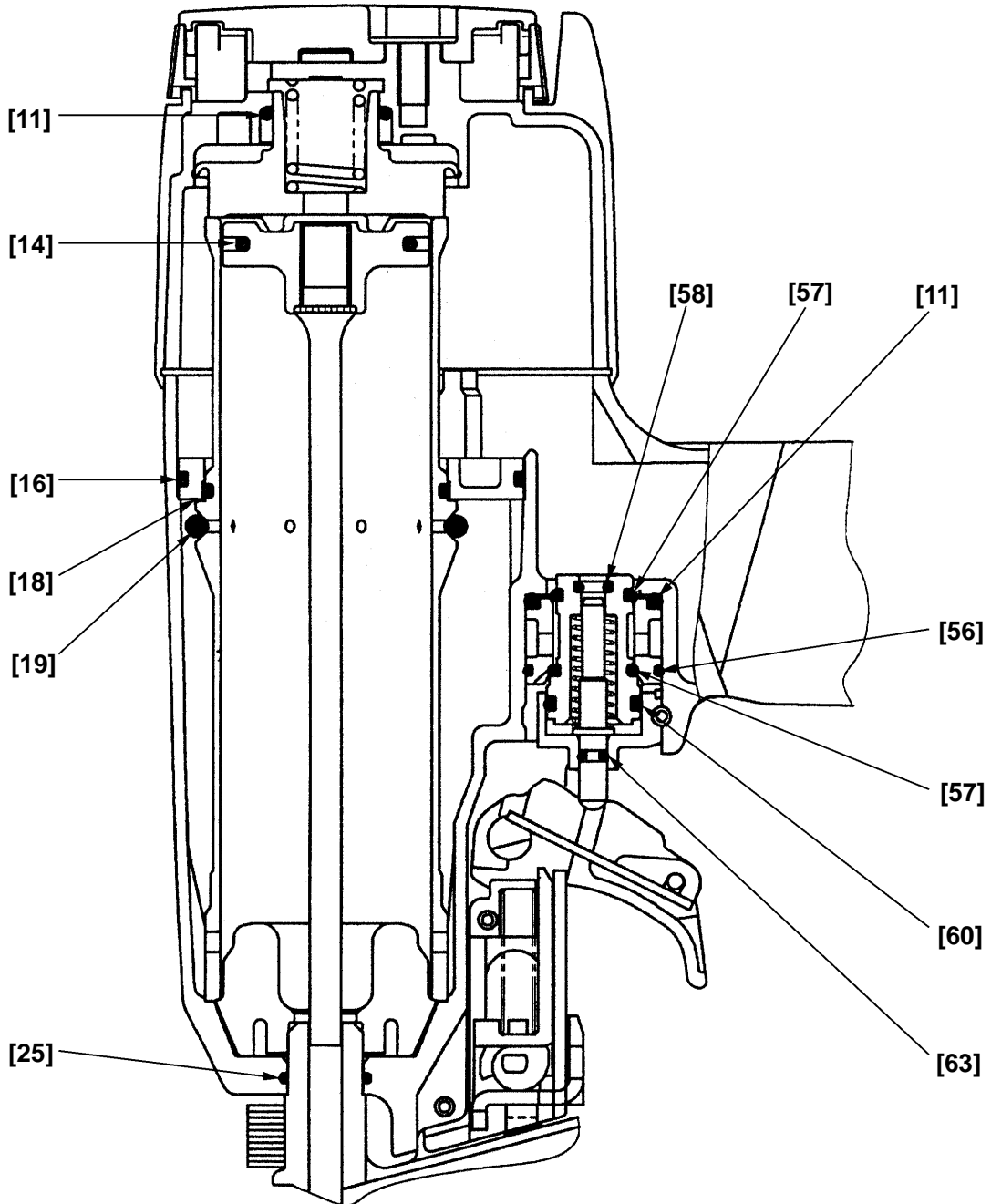


Assembly Diagram for NV 50AH





**PARTS**

NV 50AH

ITEM No.	CODE NO.	DESCRIPTION	NO. USED	REMARKS
1	949-819	HEX. SOCKET HD. BOLT M5X10 (10 PCS.)	1	
2	944-260	WASHER	1	
3	881-841	TOP COVER	1	
4	881-840	HEAD RING	1	
5	881-835	MUFFLER	1	
* 6	881-838	PROTECTOR (A)	1	
* 6	881-883	PROTECTOR (A)	1	FOR H/K
7	949-757	HEX. SOCKET HD. BOLT M5X20 (10 PCS.)	4	
* 8	881-879	EXHAUST COVER	1	
* 8	881-880	EXHAUST COVER	1	FOR H/K
9	881-839	GASKET (A)	1	
10	881-851	HEAD VALVE SPRING	1	
11	877-699	HEAD VALVE O-RING (I.D 16.8)	2	
12	881-837	HEAD VALVE (A)	1	
13	881-834	PTSTON RING	1	
14	881-833	PISTON O-RING	1	
15	881-832	PISTON	1	
16	990-067	O-RING (1AS-50)	1	
17	881-831	CYLINDER PLATE	1	
18	984-483	O-RING (S-36)	1	
19	995-298	O-RING (P-38)	1	
20	881-829	CYLINDER	1	
21	881-830	PISTON BUMPER	1	
* 22	881-877	BODY ASS'Y	1	INCLUD.43,44
* 22	881-878	BODY ASS'Y	1	INCLUD.43,44 FOR H/K
23	955-479	RETAINING RING (E-TYPE) FOR D6 SHAFT	1	
* 24		NAME PLATE	1	EXCEPT FOR H/K
25	875-638	O-RING (S-12)	1	
26	880-674	TRIGGER (A)	1	
27	881-846	ADJUSTER SHAFT	1	
28	881-847	LATCH	1	
29	316-389	PUSHING LEVER GUIDE	1	
30	881-882	SPRING	1	
31	881-843	PUSHING LEVER (B)	1	
32	881-811	NAIL GUIDE SHAFT	1	
33	873-093	O-RING (1AP-3)	1	
34	881-870	NOSE	1	
35	949-660	HEX. SOCKET HD. BOLT M6X20 (10 PCS.)	2	
36	983-545	NEEDLE ROLLER	1	
37	949-770	ROLL PIN D4X14 (10 PCS.)	1	
38	878-132	FEEDER ARM	1	
39	878-340	FEEDER SPRING	1	
40	881-818	FEEDER	1	
41	881-873	PUSHING LEVER (A)	1	
42	877-371	NYLON NUT M5	1	
43	880-408	GRIP TAPE	1	
44	880-407	TAPE	2	
45	880-183	O-RING (I.D 37.2)	1	
* 46	880-379	CAP	1	
* 46	882-162	CAP	1	FOR H/K
47	872-035	DUST CAP	1	

## PARTS

NV 50AH

ITEM No.	CODE NO.	DESCRIPTION	NO. USED	REMARKS
48	881-827	HOOK	1	
49	880-881	MACHINE SCREW (W/WASHERS) M5X30 (BLACK)	1	
50	949-518	ROLL PIN D3X18 (10 PCS.)	2	
51	949-539	ROLL PIN D3X25 (10 PCS.)	1	
52	959-155	STEEL BALL D3.97 (10 PCS.)	1	
53	982-454	SPRING (C)	1	
54	880-086	CHANGE KNOB (B)	1	
55	878-881	VALVE BUSHING (B)	1	
56	878-885	O-RING (S-18)	1	
57	878-925	O-RING (I.D 8.8)	2	
58	981-317	O-RING (S-4)	1	
59	880-672	VALVE PISTON (B)	1	
60	878-887	O-RING (I.D 11)	1	
61	878-884	PLUNGER SPRING	1	
62	880-673	PLUNGER (A)	1	
63	878-888	O-RING (I.D 1.8)	1	
64	880-671	VALVE BUSHING (A)	1	
65	949-429	BOLT WASHER M4 (10 PCS.)	1	
66	881-853	ADJUSTER SPRING	1	
67	878-222	ROLL PIN D1.6X12	1	
68	881-848	ADJUSTER KNOB	1	
69	881-845	ADJUSTER	1	
70	872-645	O-RING (P-9)	1	
71	880-168	FEED PISTON	1	
72	873-570	O-RING (P-18)	1	
73	880-409	SPRING	1	
74	877-476	BUMPER	1	
75	880-170	FEED PISTON COVER	1	
76	983-748	RETAINING RING FOR D24 HOLE	1	
77	880-177	MAGAZINE BUSHING	1	
78	881-850	PROTECTOR (B)	1	
79	881-825	PIN	2	
80	877-826	FEEDER SHAFT RING	2	
81	881-821	MAGAZINE	1	
82	881-822	MAGAZINE COVER	1	
* 83	878-184	WARNING LABEL	1	EXCEPT FOR H/K
84	881-003	HOLDER CAP (A)	1	
85	880-398	RATCHET SPRING	1	
86	881-824	NAIL HOLDER	1	
87	878-791	ROLL PIN D2.5X12	1	
88	881-823	HOLDER SHAFT	1	
89	881-826	SPRING	1	
90	874-436	O-RING (P-4)	1	
91	878-103	GUIDE LOCK	1	
92	880-446	SPRING	1	
93	881-871	NAIL GUIDE	1	
94	881-872	NAIL STOPPER (A)	1	
95	880-393	SPRING	2	
96	881-814	NAIL STOPPER (B)	1	
97	881-815	NAIL GUIDE COVER	1	
98	881-816	COVER	1	

\* : ALTERNATIVE PARTS

10 - 98

**PARTS**

NV 50AH

ITEM No.	CODE NO.	DESCRIPTION	NO. USED	REMARKS	
99	878-337	SLEEVE (B)	1		
100	880-413	NYLOCK HEX. SOCKET HD. BOLT M4X10	1		
* 101	878-183	WARNING LABEL	1	EXCEPT FOR H/K	
102	881-820	MAGAZINE ASS'Y	1	INCLUD.79-82,84-89	

**STANDARD ACCESSORIES**

ITEM No.	CODE NO.	DESCRIPTION	NO. USED	REMARKS	
501	943-277	HEX. BAR WRENCH 3MM	1		
502	944-458	HEX. BAR WRENCH 4MM	1		
503	944-459	HEX. BAR WRENCH 5MM	1		
504	877-153	PNEUMATIC TOOL LUBRICANT (30CC)	1		
505	875-769	EYE PROTECTOR	1		
* 506	881-849	CASE	1		
* 506	881-881	CASE	1	FOR H/K	

**OPTIONAL ACCESSORIES**

ITEM No.	CODE NO.	DESCRIPTION	NO. USED	REMARKS	
601	881-012	SEQUENTIAL FIRE PARTS SET	1		