

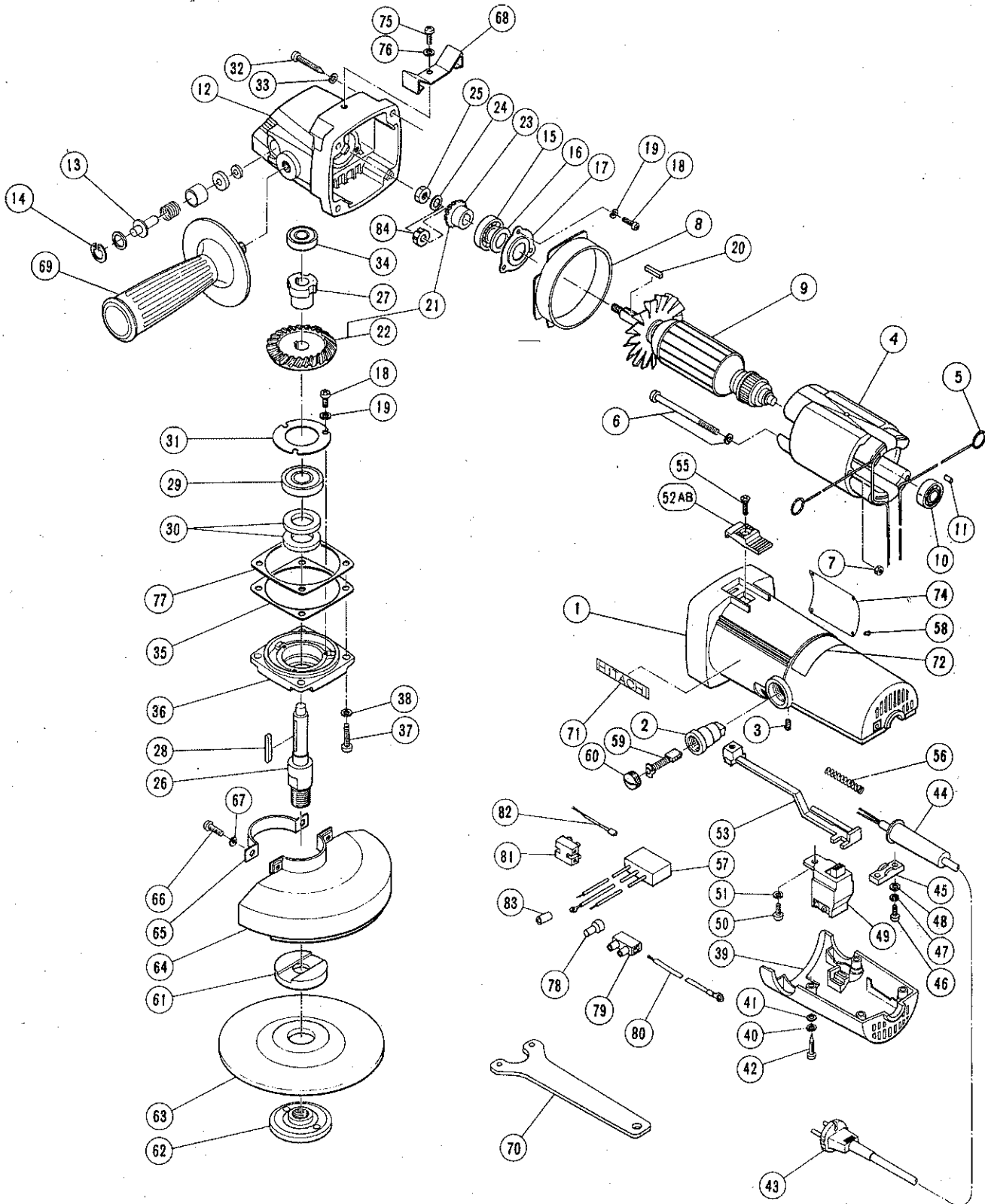
ELECTRIC TOOL PARTS LIST

■ 115mm DISC GRINDER

1986.6.20

Model PDM-115

PDM-115(E4)



PARTS

PDM-115(E4)

Item No.	Code No.	Part Name	Q'ty	Remarks
1	—	Housing Ass'y	1	See alternative parts
2	—	Brush Holder	2	See alternative parts
3	949365	Slotted Set Screw M4 x 5	2	(10 pcs.)
4	—	Stator Ass'y	1	See alternative parts
5	931867	Brush Terminal	2	
6	938282Z	Machine Screw M4 x 75	2	W/Spring Lock Washer
7	949554	Nut M4	2	(10 pcs.)
8	938283Z	Fan Guide	1	
9	—	Armature	1	See alternative parts
10	939396	Ball Bearing (608ZZC2)	1	
11	931701	Bearing Lock	1	
12	938285Z	Gear Cover Ass'y	1	includ. 13, 14
13	948094	Lock Pin	1	
14	948011	C-Type Retaining Ring	1	for I.D. 16 Hole
15	939389	Ball Bearing (629VVC2)	1	
16	956612	Felt Packing	1	
17	938286Z	Bearing Cover (A)	1	
18	949216	Machine Screw M4 x 10	6	(10 pcs.)
19	949453	Spring Lock Washer	6	for M4 (10 pcs.)
20	944109	Feather Key 3 x 3 x 8	1	
21	938287Z	Gear Ass'y	1	includ. 22, 23
22	938288Z	Gear	1	
23	938289Z	Pinion	1	
24	949455	Spring Lock Washer	1	for M6 (10 pcs.)
25	949567	Lock Nut M6	1	(10 pcs.)
26	—	Spindle	1	See alternative parts
27	938291Z	Sleeve	1	
28	672528	Feather Key 3 x 3 x 25	1	
29	939390	Ball Bearing (6201VVC2)	1	
30	936544	Packing	2	
31	936680	Bearing Cover (B)	1	
32	937807	Tapping Screw D5 x 25	4	
33	949454	Spring Lock Washer	4	for M5 (10 pcs.)
34	939396	Ball Bearing (608ZZC2)	1	
35	938292Z	Thrust Washer	1	
36	938293Z	Packing Gland	1	
37	949239	Machine Screw M5 x 16	4	(10 pcs.)
38	949454	Spring Lock Washer	4	for M5 (10 pcs.)
39	938294Z	Cover	1	
40	949453	Spring Lock Washer	4	for M4 (10 pcs.)
41	949423	Washer	4	for M4 (10 pcs.)
42	958705	Tapping Screw D4 x 25	4	
43	—	Cord	1	See alternative parts
44	—	Cord Armor	1	See alternative parts
45	937631	Cord Clip	1	
46	954004	Tapping Screw D4 x 16	2	
47	949453	Spring Lock Washer	2	for M4 (10 pcs.)
48	949423	Washer	2	for M4 (10 pcs.)
49	—	Double Pole Switch (Pillar Type)	1	See alternative parts
50	954017	Tapping Screw D4 x 12	1	
51	949423	Washer	1	for M4 (10 pcs.)
52A	938296Z	Slide Switch Knob	1	till 4. 1980
52B	938312	Slide Switch Knob	1	since 5. 1980

PARTS

PDM-115(E4)

Item No.	Code No.	Part Name	Q'ty	Remarks
53	938297Z	Slide Bar	1	
55	949323	Flat Hd. Screw M4 x 12	1	(10 pcs.)
56	938299Z	Spring	1	
57	—	Noise Suppressor	1	See alternative parts
58	949509	Rivet D2.5 x 3.2	4	(10 pcs.)
59	—	Carbon Brush	2	See alternative parts
60	—	Brush Cap	2	See alternative parts
61	—	Wheel Washer	1	See alternative parts
62	—	Wheel Nut	1	See alternative parts
63	937819Z	Resinoid Wheel 115 mm	1	(10 pcs.)
64	—	Wheel Guard Ass'y	1	includ. 65, 67 See alternative parts
65	938302Z	Set Plate (A)	1	
66	949241	Hd. Machine Screw M5 x 20	2	(10 pcs.)
67	949454	Spring Lock Washer	2	for M5 (10 pcs.)
68	938303Z	Guard Plate	1	
69	980779	Side Handle	1	
70	938332Z	Wrench	1	
71	957561	HITACHI Label	1	
72	—	Caution Plate	1	See alternative parts
74	—	Name Plate	1	See alternative parts
75	949215	Machine Screw M4 x 8	1	(10 pcs.)
76	949453	Spring Lock Washer	1	for M4 (10 pcs.)
77	—	Seal Packing	1	See alternative parts
78	—	Connector	1	See alternative parts
79	—	Pillar Terminal	1	See alternative parts
80	—	Internal Wire	1	See alternative parts
81	—	Pillar Terminal	1	See alternative parts
82	—	Internal Wire	1	See alternative parts
83	—	Tube (D)	1	See alternative parts
84	938316	Pawl Washer	1	

ALTERNATIVE PARTS

Item No.	Code No.	Part Name	Q'ty	Remarks
1	938311Z	Housing Ass'y	1	includ. 2, 3, 52, 55
	938313Z	Housing Ass'y	1	includ. 2, 3 for Sweden, Austria
2	957571	Brush Holder	2	
	937846	Brush Holder	2	for Sweden, Austria
4	938315C	Stator Ass'y 110V	2	includ. 5 for U.K.
	938315D	Stator Ass'y 110V ~ 120V	1	includ. 5
	938315E	Stator Ass'y 220V ~ 230V	1	includ. 5
	938315F	Stator Ass'y 240V	1	includ. 5
	938315G	Stator Ass'y 230V	1	includ. 5 for N.Z.
	938315H	Stator Ass'y 240V	1	includ. 5 for U.K.
9	938284C	Armature 110V ~ 120V	1	
	938284E	Armature 220V ~ 230V	1	
	938284F	Armature 240V	1	
	938284G	Armature 220V ~ 230V	1	for France, Denmark, Finland, Sweden, Austria
	938284H	Armature 240V	1	for U.K.
	938284J	Armature 110V ~ 115V	1	for U.K.

ALTERNATIVE PARTS

PDM-115(E4)

Item No.	Code No.	Part Name	Q'ty	Remarks
26	938290Z	Spindle	1	
	938309P	Spindle (B)	1	for U.S.A.
43	950543Z	Cord	1	for Asia (Cord Armor D10.2)
	950545Z	Cord	1	for Singapore (Cord Armor D10.2)
	950547Z	Cord	1	for Europe (Cord Armor D8.2)
	938310P	Cord	1	for U.S.A. (Cord Armor D8.2)
	938333Z	Cord	1	for S. Africa (Cord Armor D8.2)
	971519Z	Cord	1	for Oceania (Cord Armor D8.2)
44	930026	Cord Armor D8.2	1	
	930354	Cord Armor D10.2	1	
49	980778	Double Pole Switch (Pillar Type)	1	
57	958847	Noise Suppressor	1	
	971828Z	Noise Suppressor	1	for Finland, Austria
59	999021	Carbon Brush	2	(2 pcs.)
	999021	Carbon Brush	1	for Denmark (2 pcs.)
	999084	Carbon Brush	1	Auto Stop Type for Denmark (2 pcs.)
	999084	Carbon Brush	2	Auto Stop Type for Norway
60	931266	Brush Cap	2	
	937847	Brush Cap	2	for Sweden, Austria
61	937817Z	Wheel Washer	1	
	937827Z	Wheel Washer (B)	1	for Australia
	937922P	Wheel Washer (B) D16	1	Iso type for U.S.A.
	938334Z	Wheel Washer (B)	1	for U.K.
62	937818Z	Wheel Nut	1	
	937923P	Wheel Nut	1	for U.S.A.
64	938314	Wheel Guard Ass'y	1	includ. 65, 67 for U.S.A.
	938330Z	Wheel Guard	1	includ. 65, 67
72	937833Z	Caution Plate	1	
77	938305Z	Seal Packing	1	for U.S.A.
78	959140	Connection (50091)	1	(10 pcs.)
79	938307Z	Pillar Terminal	1	
80	938306Z	Internal Wire	1	
81	958308Z	Pillar Terminal	1	
82	983357	Internal Wire	2	
83	981373	Tube (D)	2	

