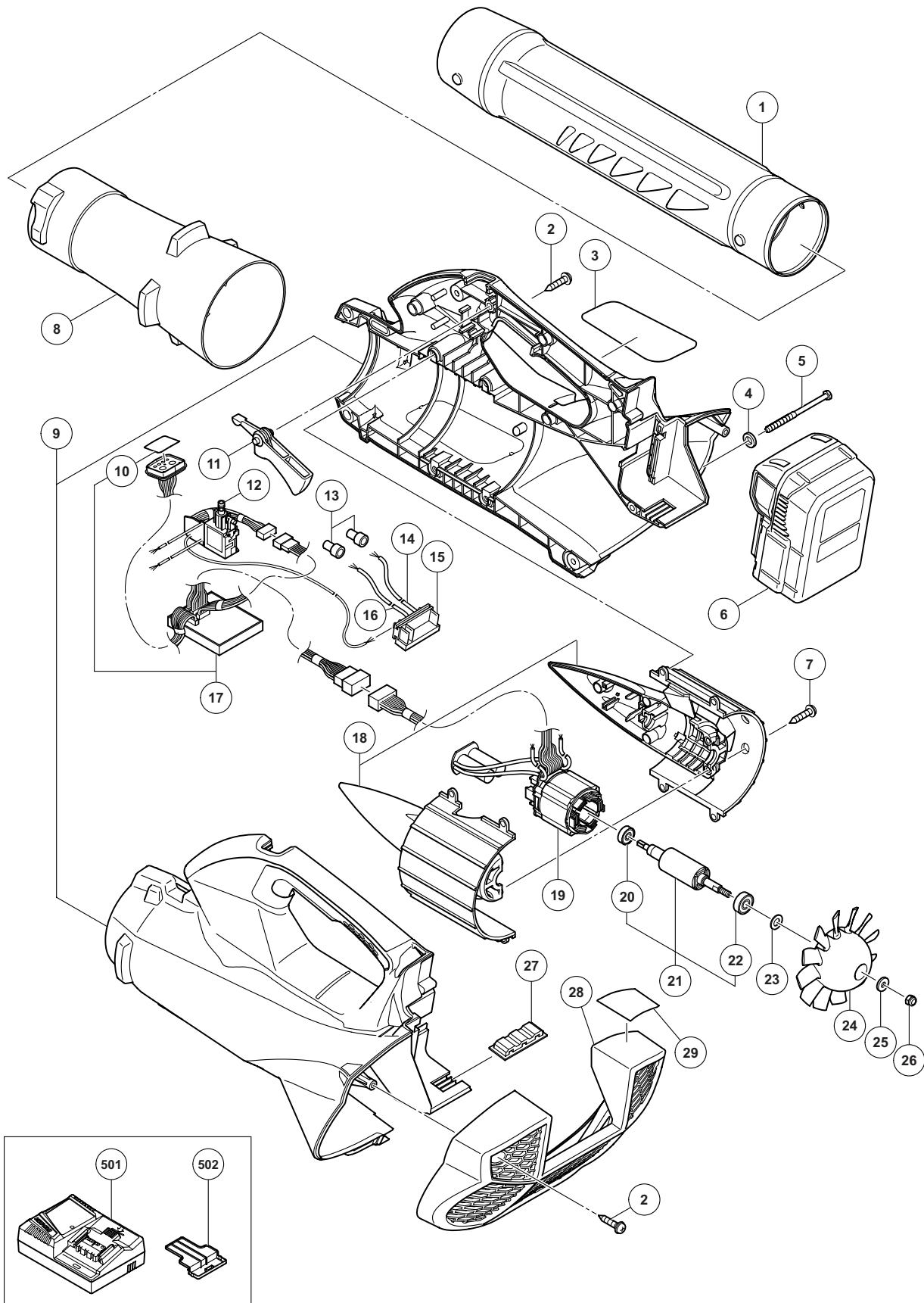


## ELECTRIC TOOL PARTS LIST

**CORDLESS BLOWER**  
**Model RB 36DL**

**2013·5·10**  
**(E1)**



**PARTS**

RB 36DL

ITEM NO.	CODE NO.	DESCRIPTION	NO. USED	REMARKS
1	669-8393	NOZZLE (A)	1	
2	302-089	TAPPING SCREW (W/FLANGE) D5 X 20 (BLACK)	14	
3		NAME PLATE	1	
4	949-424	WASHER M5 (10 PCS.)	1	
5	961-400	HEX. HD. TAPPING SCREW D5 X 70	1	
* 6	334-998	BATTERY BSL 3620 (EUROPE, AUS, NZL)	1	
* 6	334-997	BATTERY BSL 3620 (USA, CAN)	1	
7	301-653	TAPPING SCREW (W/FLANGE) D4 X 20 (BLACK)	5	
8	335-198	NOZZLE	1	
9	335-197	HOUSING (A).(B) SET	1	
10	335-938	PANEL SHEET	1	
11	335-199	TRIGGER LEVER	1	
12	335-939	DC-SPEED CONTROL SWITCH	1	
13	959-141	CONNECTOR 50092 (10 PCS.)	1	
14	336-087	INTERNAL WIRE (RED)	1	
15	333-991	BATTERY TERMINAL	1	
16	336-088	INTERNAL WIRE (BLACK)	1	
17	336-096	CONTROLLER ASS'Y	1	INCLUD. 10
18	336-097	MOTOR HOUSING SET	1	
19	340-867	STATOR FET PCB	1	
20	333-826	BALL BEARING 625DD	1	
21	335-194	ROTOR ASS'Y	1	INCLUD. 20, 22
22	607-VVC	BALL BEARING 607VVC2PS2L	1	
23	669-6880	BOLT WASHER D7	1	
24	335-195	FAN	1	
25	329-929	WASHER (A)	1	
26	308-387	U-NUT M5	1	
27	332-668	RUBBER CUSHION	1	
28	335-196	NOSE GRILL	1	
* 29	336-099	CAUTION LABEL (EURO)	1	
* 29	336-100	CAUTION LABEL (USA)	1	

**STANDARD ACCESSORIES**

ITEM NO.	CODE NO.	DESCRIPTION	NO. USED	REMARKS
501		CHARGER (MODEL UC 36YRSL)	1	
502	329-897	BATTERY COVER	1	