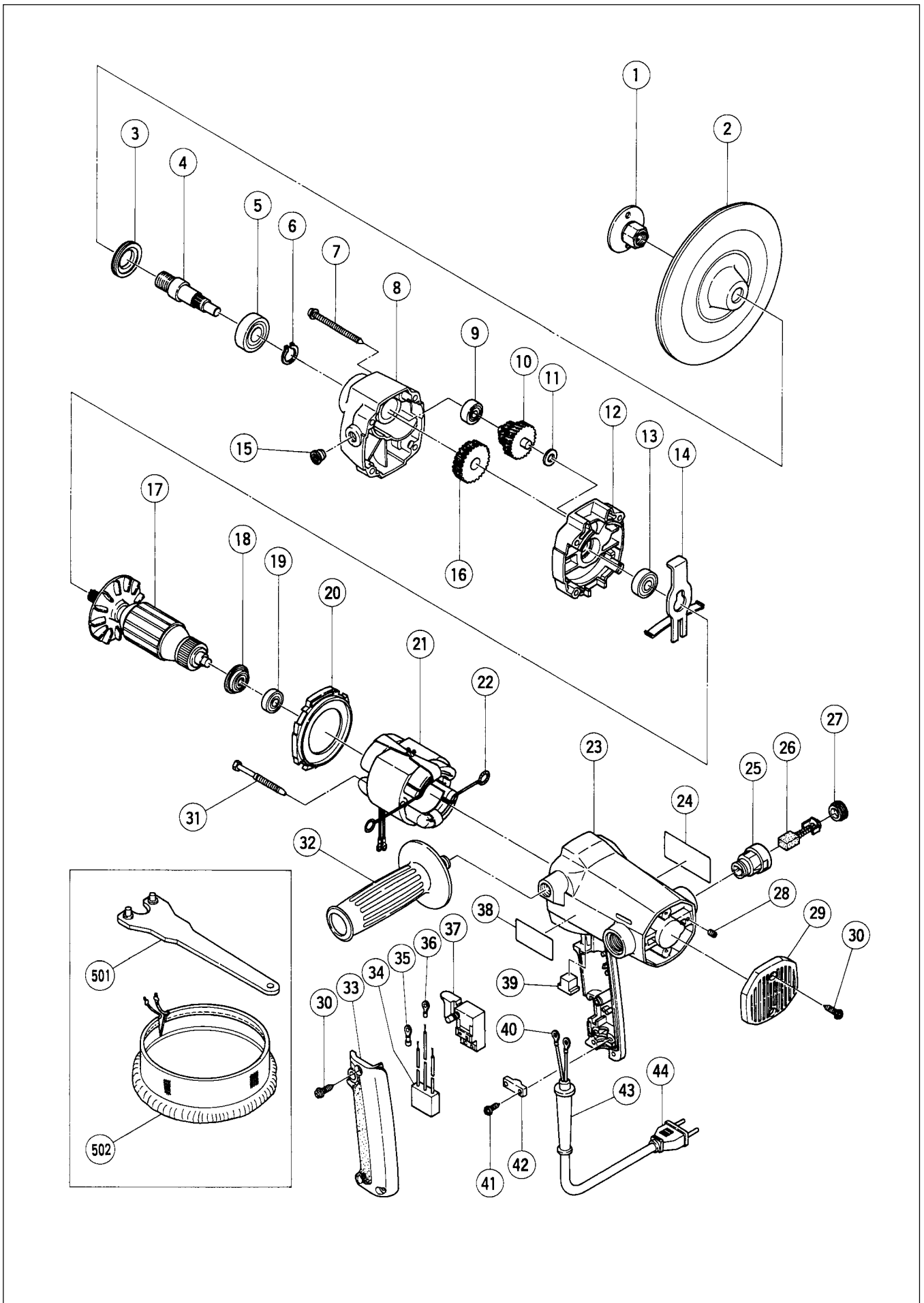


# Assembly Diagram for SP 18SA



## PARTS

SP 18SA

ITEM NO.	CODE NO.	DESCRIPTION	NO. USED	REMARKS	
*	1	953-381	WASHER NUT	1	
*	1	953-246Z	WASHER NUT M14	1	FOR ITA,ESP
*	1	953-254P	WASHER NUT 5/8"-11UNC	1	FOR USA
*	2	953-255	RUBBER PAD (D16 HOLE)	1	FOR INA,SIN,HKG,USA,CHN
*	2	953-247Z	RUBBER PAD (D14 HOLE)	1	FOR ITA,ESP
	3	944-005	BEARING CAP	1	
*	4	317-910	SPINDLE	1	
*	4	317-908	SPINDLE	1	FOR ITA,ESP
*	4	317-909	SPINDLE	1	FOR USA
	5	620-1DD	BALL BEARING 6201DDCMPS2L	1	
	6	939-542	RETAINING RING FOR D12 SHAFT (10 PCS.)	1	
	7	309-778	TAPPING SCREW (W/FLANGE) D5X55 (BLACK)	4	
	8	318-016	GEAR COVER	1	
	9	608-VVM	BALL BEARING 608VVC2PS2L	1	
	10	317-905	SECOND PINION	1	
	11	317-906	WASHER	1	
	12	317-904	INNER COVER	1	
	13	600-0DD	BALL BEARING 6000DDCMPS2L	1	
	14	317-890	LOCK LEVER	1	
	15		CAP	1	
	16	317-907	FINAL GEAR	1	
*	17	360-502U	ARMATURE ASS'Y 110V-115V	1	INCLUD.13,18,19
*	17	360-502E	ARMATURE 220V-230V	1	
	18	317-889	DUST SEAL	1	
	19	608-VVM	BALL BEARING 608VVC2PS2L	1	
	20	317-888	FAN GUIDE	1	
*	21	340-449C	STATOR ASS'Y 110V-115V	1	INCLUD.22
*	21	340-449H	STATOR ASS'Y 220V-230V	1	INCLUD.22
*	21	340-449E	STATOR ASS'Y 220V-230V	1	INCLUD.22 FOR INA,SIN,HKG
	22	930-703	BRUSH TERMINAL	2	
	23	317-896	HOUSING ASS'Y	1	INCLUD.25,28
	24		NAME PLATE	1	
	25	958-900	BRUSH HOLDER	2	
	26	999-043	CARBON BRUSH (1 PAIR)	2	
	27	945-161	BRUSH CAP	2	
	28	938-477	HEX. SOCKET SET SCREW M5X8	2	
	29	317-894	TAIL COVER	1	
	30	302-086	TAPPING SCREW (W/FLANGE) D4X20 (BLACK)	5	
	31	953-174	HEX. HD. TAPPING SCREW D5X55	2	
	32	937-981	SIDE HANDLE FOR M14	1	
	33	317-892	HANDLE COVER	1	
*	34	994-273	NOISE SUPPRESSOR	1	FOR ITA,ESP,CHN
*	35	311-741	TERMINAL	2	FOR NOISE SUPPRESSOR
*	36	959-144	TERMINAL 50051 (10 PCS.)	1	FOR NOISE SUPPRESSOR
	37	302-477	SWITCH (C) (1P SCREW TYPE) W/LOCK	1	
	38		HITACHI LABEL	1	
	39	317-893	DUST PACKING	1	
	40	980-063	TERMINAL	2	FOR CORD
	41	984-750	TAPPING SCREW (W/FLANGE) D4X16	2	
	42	960-266	CORD CLIP	1	
*	43	953-327	CORD ARMOR D8.8	1	

\* : ALTERNATIVE PARTS

5 - 99



